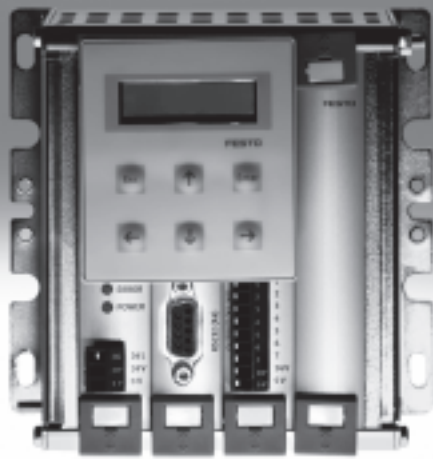


Axis controllers SPC200

FESTO

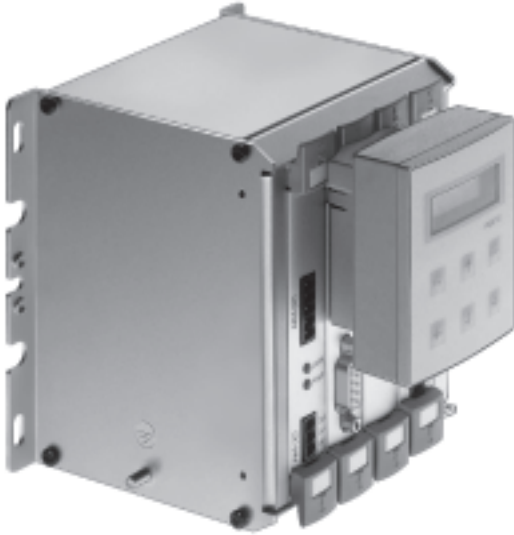


Axis controllers SPC200

Key features

FESTO

At a glance



SPC200 – the most unique positioning controller in the world for pneumatic and electrical positioning technology

Strength in variety

- 1 to 4 positioning axes
- 3 different pneumatic drive families
- Stepper motor axes
- Technology mix

Strength in modularity

- Two housing sizes
- 9 different plug-in cards
- Combinable as required

Multi-purpose

- Set selection for simple applications
- Start/stop operation for demanding automation tasks
- Up to 100 programs
- Subprogram technology
- Register operations and much more

Strength in flexibility

- Digital inputs/outputs
- Analogue inputs
- PROFIBUS, DeviceNet, INTERBUS
- CPV valve terminals for pneumatic switching functions

Strength in installation

- One axis string controls
- 2 pneumatic axes
- CPV valve terminals can be connected directly to the axis string
- Pre-assembled cables
- Plugs fit only in the correct sockets

Software WINPISA

- Project archiving
- Simple commissioning
- User-friendly programming
- Comprehensive diagnostics with graphics functions

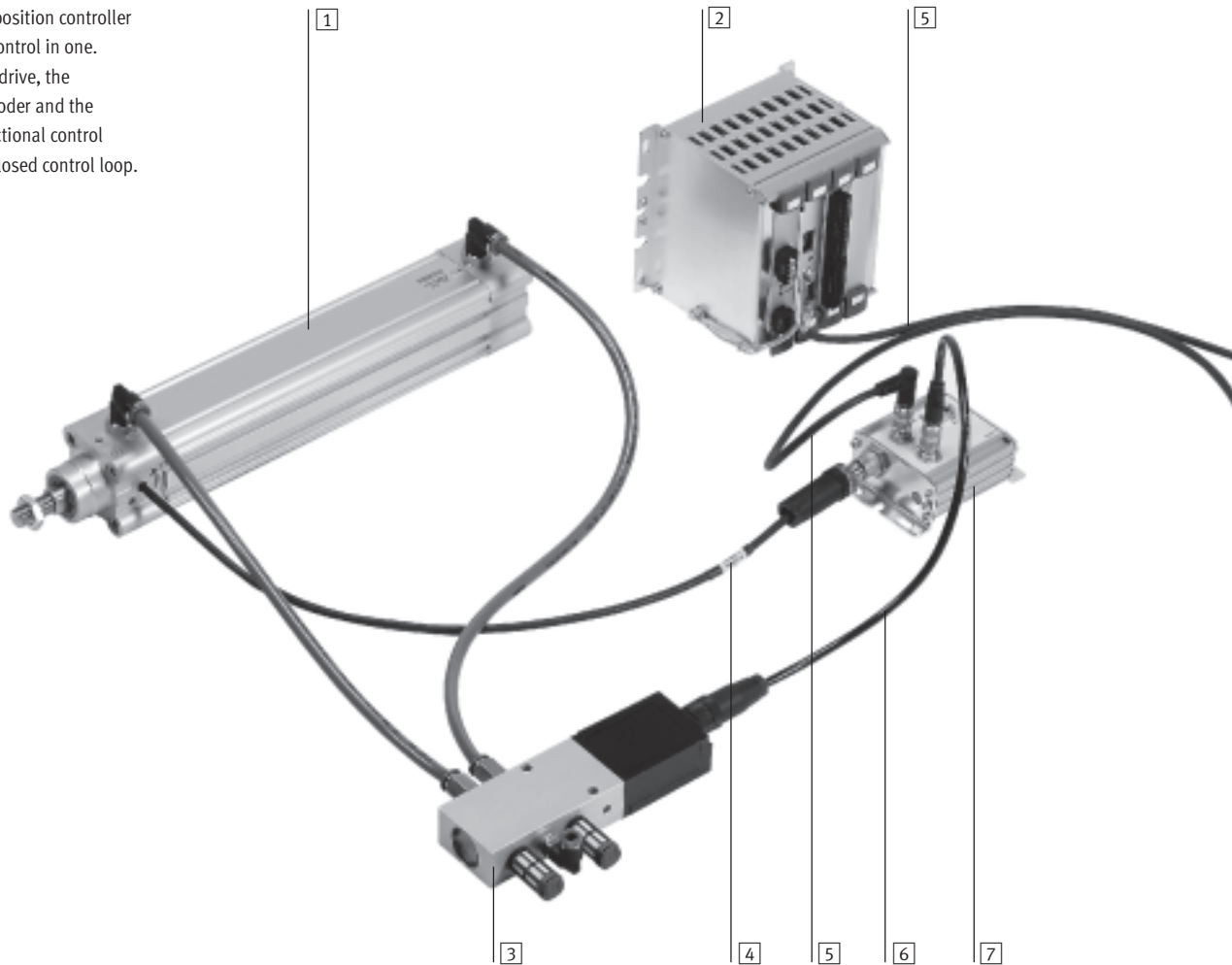
PROFIBUS®, DeviceNet®, INTERBUS® is a registered trademark of its respective trademark holder in certain countries.

Axis controllers SPC200

Key features

In combination with the drive DNCI

The SPC200 is a position controller and positioning control in one. Together with the drive, the displacement encoder and the proportional directional control valve, it forms a closed control loop.








Individual components	
Type	Brief description
1 DNCI-...	The pneumatic drive, in this case DNCI with integrated displacement encoder, generates the movement. It is controlled by the SPC200.
2 SPC200-...	The axis controller with operating unit, in this case designed for a pneumatic drive, is an open and closed loop controller in one.
3 MPYE-...	The proportional directional control valve is the final control element in the control loop and controls the movement of the drive in accordance with the specification of the closed loop controller in the SPC200.
4 -	Connecting cable that connects the displacement encoder with the axis interface. The cable is permanently attached to the drive.
5 KSPC-AIF-...	Connecting cable that connects the controller SPC200 with the axis interface.
6 KMPYE-AIF-...	Connecting cable that connects the proportional directional control valve with the axis interface.
7 SPC-AIF-...	The axis interface forwards the measured values from the displacement encoder to the closed loop controller in the SPC200 and the control signal from the closed loop controller to the proportional directional control valve.

Axis controllers SPC200


Product range overview


FESTO

Individual components for SPC200			
	Type	Brief description	→ Page/Internet
Basic units			
	SPC200-CPU-4	Basic unit with 4 card locations	6
	SPC200-CPU-6	Basic unit with 6 card locations	6
Plug-in cards			
	SPC200-BP	Blanking plate	7
	SPC200-PWR-AIF	Power supply unit and axis interface connection	10
	SPC200-MMI-DIAG	Diagnostics and control unit connection	11
	SPC200-DIO	Digital inputs/outputs (10I/8O)	12
	SPC200-2AI-U	Analogue setpoint specification, 2 channels, 0 ... 10 V	14
	SPC200-SCU-AIF	Sub-controller for 3rd and 4th pneumatic axes	15
	SPC200-COM-PDP	PROFIBUS-DP interface	16
	SPC200-COM-DN2	DeviceNet interface	18
Control unit			
	SPC200-MMI-1	Control unit for commissioning, programming and diagnostics. Not all functions of the axis controller SPC200 are supported. Please use WinPISA for commissioning.	28
Connector modules for SPC200			
	Type	Brief description	→ Page/Internet
Axis interface			
	SPC-AIF-POT	For analogue displacement encoder (potentiometer)	20
	SPC-AIF-POT-LWG		
	SPC-AIF-MTS	– For digital displacement encoder Temposonics/AIF – For linear drive DGPI...-...-AIF	20
	SPC-AIF-INC	For standard cylinder DNCI	22
	SPC-AIF-MTS-2	For linear drive DGCI	24
Power supply module			
	SPC-AIF-SUP-24V	Additional power supply for the load voltage at the axis interface for cable lengths over 16 m	26

Axis controllers SPC200

Product range overview

Basic configuration of controller packages										
Version	Brief description	Basic configuration						→ Page/Internet		
		SPC200-MMI-1	SPC200-PWR-AIF	SPC200-MMI-DIAG	SPC200-DIO	SPC200-2AI-U	SPC200-SCU-AIF	SPC200-COM-PDP		
	SPC200/P01	For 1 or 2 pneumatic axes with control unit	■	■	■	■	-	-	9	
	SPC200/P02	For 1 or 2 pneumatic axes with control unit and 2 analogue inputs for positioning specifications	■	■	■	■	■	-	9	
	SPC200/P04	With PROFIBUS-DP interface for 1 or 2 pneumatic axes	-	■	■	-	-	-	■	9
	SPC200/P05	With PROFIBUS-DP interface for up to 4 pneumatic axes	-	■	■	-	-	■	■	9

Expansion options for controller packages												
Version	Brief description	Expandable using ...										
												
	SPC200/P01	For 1 or 2 pneumatic axes with control unit					SPC200-MMI-1	SPC200-DIO	SPC200-2AI-U	SPC200-SCU-AIF	SPC200-COM-PDP	SPC200-COM-DN2
	SPC200/P02	For 1 or 2 pneumatic axes with control unit and 2 analogue inputs for positioning specifications	-	1)	1)	1)	1)	1)	-	-	-	
	SPC200/P04	With PROFIBUS-DP interface for 1 or 2 pneumatic axes	2)	1)	1)	-	-	-	-	-		
	SPC200/P05	With PROFIBUS-DP interface for up to 4 pneumatic axes	2)	-	-	-	-	-	-			

- 1) One free card location, therefore expandable with max. one card. This must be ordered separately.
Other configurations can be produced from the individual components
- 2) Optional

Axis controllers SPC200

Technical data

FESTO

Axis controller basic unit

SPC200-CPU-4

SPC200-CPU-6

Function

Basic unit for 4 or 6 function cards,
contains closed loop position
controller for 2 pneumatic axes and
universal positioning control for
4 axes



General technical data			SPC200
Power supply			→ 10 (SPC200-PWR-AIF)
Current consumption	SPC200-CPU-4/6 incl. SPC200-PWR-AIF	[mA]	Typically 100
Processor type			Digital signal processor
Operating system			Festo OS 4.6x ¹⁾
Controller sampling time		[ms]	Typically 1.5
Control cycle		[ms]	Typically 2
Memory	Available for programs and data	[KB]	20
Data backup			Flash memory
	Backup cycles		> 100 000
No. of positioning axes	Total		4
	Pneumatic		Max. 4
	Stepper motor		Max. 3
No. of inputs/outputs	Local		Max. 40 inputs, 32 outputs ²⁾
	Per AIF string		Max. 16 inputs and 16 outputs ³⁾
	Via fieldbus		Max. 64 inputs and 64 outputs
No. of start programs			2 ⁴⁾
No. of position registers			100 per axis
Operating modes	Set selection	No. of motion sets	Max. 32 via local I/O per start program Max. 1,000 via fieldbus interface per start program
		Control signals	ENABLE, READY, STOP, RESET, RECBIT1..5, CLK_A/B, RC_A/B, ACK_A/B
	Start/stop	No. of programs	Max. 100
		Control signals	ENABLE, READY, START/RESET, STOP, MC_A/B, SYNC_IA/B, SYNC_OA/B
		Programming	NC programming to DIN 66025
		Instruction classes	Positioning instructions I/O instructions Register instructions Sequence instructions
		No. of NC sets	Max. 2,000
		No. of NC sets per program	Max. 1,000
		Nesting depth for subprograms	Max. 4

1) Status: April 2003

2) Less the used control signals of the first card

3) Either as 1 input device and 1 output device of the CP fieldbus modules or 1 input/output module SPC-FIO ...

4) At least 1 start program must be active

Axis controllers SPC200

Technical data

FESTO

General technical data		SPC200	
CE marking symbol (see conformity declaration)		As per EU EMC directive	
Vibrations/shock	Vibrations	Tested to DIN/IEC 68, parts 2-6, severity level 1	
	Shock	Tested to DIN/IEC 68, parts 2-27, severity level 2	
Ambient conditions	Temperature range	[°C]	-5 ... +50
	Protection class		IP20 ⁵⁾
	Relative air humidity		95% non-condensing
Weight	SPC200-CPU-4	[kg]	0.675
	SPC200-CPU-6	[kg]	0.85

5) With fully equipped basic unit

New

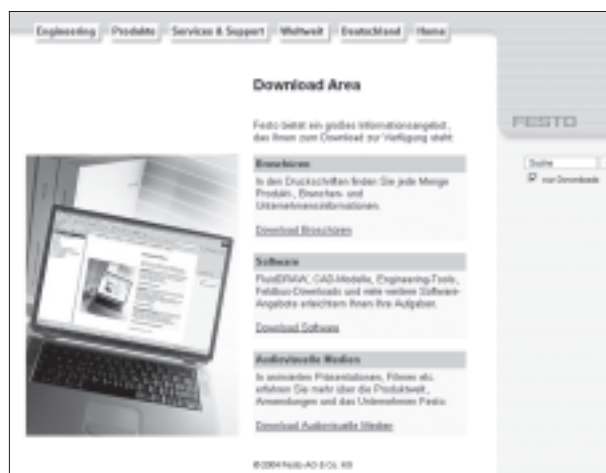
Communication modules for connecting to a fieldbus, like PROFIBUS or DeviceNet, facilitate reading and writing all registers of the axis controller SPC200.

Reading the actual position and writing a digital position setpoint.

Ordering data		Part No.	Type
Axis controller basic unit	With 4 mounting locations	170 173	SPC200-CPU-4
	With 6 mounting locations	170 174	SPC200-CPU-6
Accessories	Blanking plate (plug-in card)	170 229	SPC200-BP
	Clip for H-rail assembly for SPC200	170 169	CP-TS-HS-35
User documentation	For axis controller basic unit, German	170 245	P.BE-SPC200-DE
	For axis controller basic unit, English	170 246	P.BE-SPC200-EN

Function modules → www.festo.com

Function modules that support communication between third-party controllers and the PROFIBUS card of the axis controller SPC200 can be downloaded from the Download Area of the Festo website.



Axis controllers SPC200

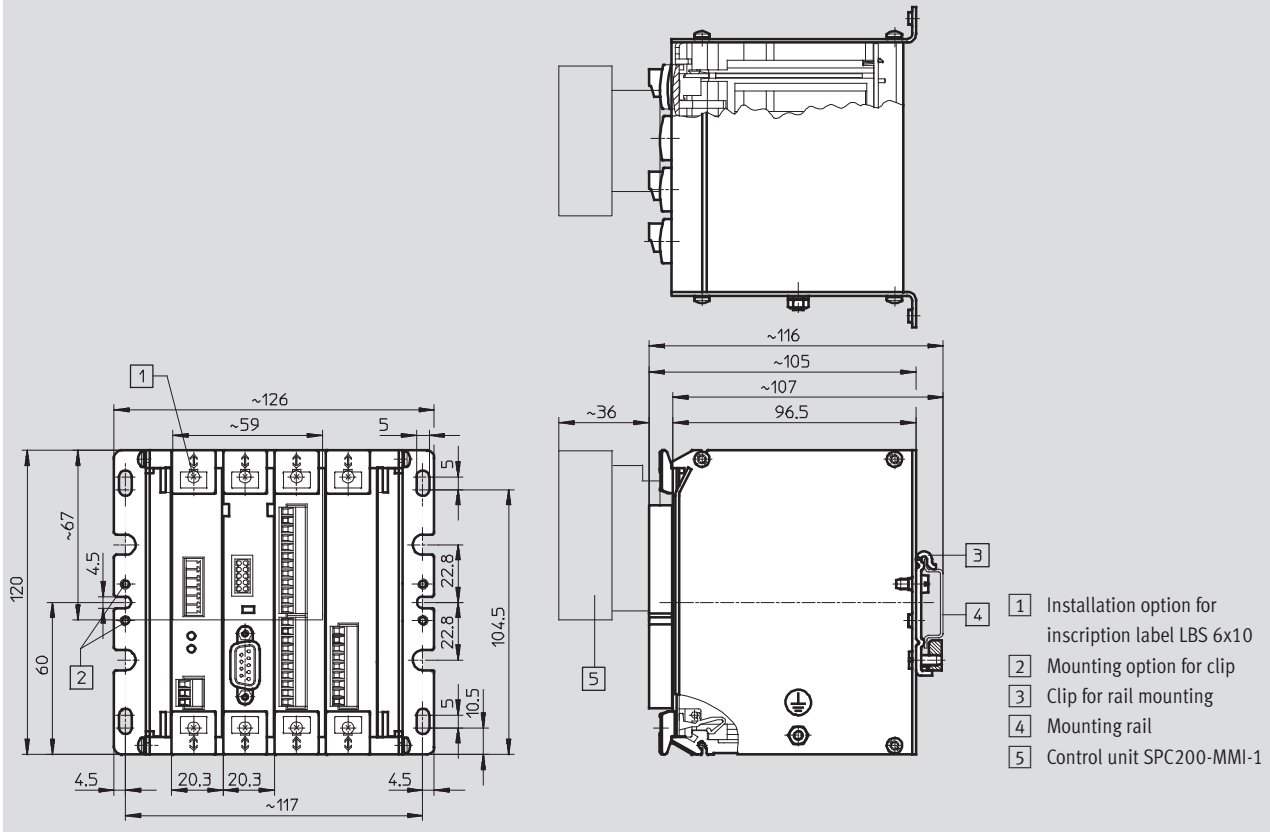
Technical data

FESTO

Dimensions

Download CAD Data → www.festo.com/us/cad

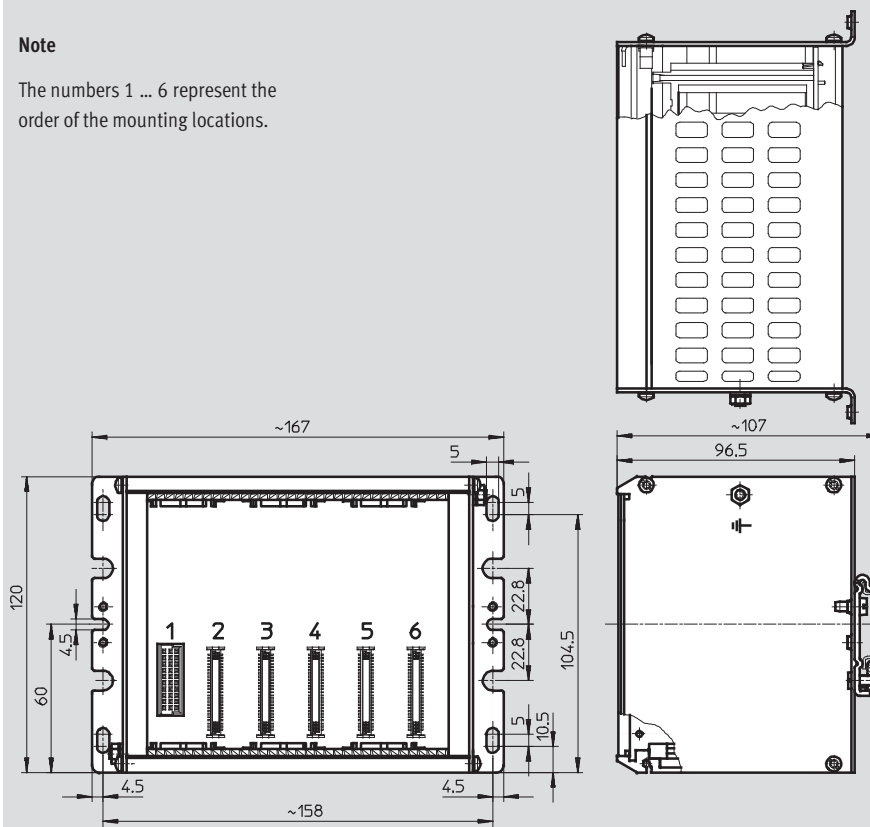
SPC200-CPU-4 (rack for 4 mounting locations) using as an example: SPC200/P02



SPC200-CPU-6 (rack for 6 mounting locations)

Note

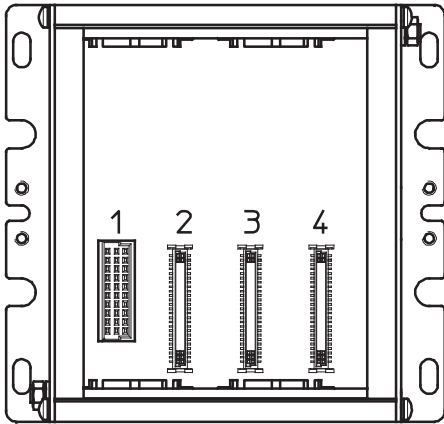
The numbers 1 ... 6 represent the order of the mounting locations.



Axis controllers SPC200

Technical data

Order of the mounting locations



Configured controller packages

Controller packages	Mounting location				Control unit SPC200-MMI-1 ¹⁾	Part No.	Type
	1	2	3	4			
P01	1	2	4	9	■	170 521	SPC200/P01
P02	1	2	4	5	■	170 522	SPC200/P02
P04	1	2	9	7	-	187 812	SPC200/P04
P05	1	2	3	7	-	187 813	SPC200/P05

1) Included in the scope of delivery

Legend

	Type	Description	→ Page/Internet
1	SPC200-PWR-AIF	Power supply	10
2	SPC200-MMI-DIAG	Serial interface	11
3	SPC200-SCU-AIF	Sub-controller	15
4	SPC200-DIO	Digital I/O	12
5	SPC200-2AI-U	Setpoint module	14
7	SPC200-COM-PDP	PROFIBUS DP interface	16
9	SPC200-PB	Blanking plate	7

Axis controllers SPC200

Technical data

FESTO

Power supply SPC200-PWR-AIF

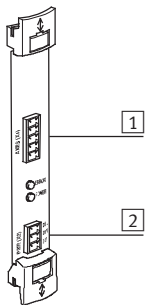
Function
Power supply and connection of the first axis string



General technical data			SPC200-PWR-AIF
Current consumption	Plug-in card	[mA]	See basic unit
Power supply unit (PWR)	Supply	[V DC]	24 -5/+25%
	Residual ripple	[%]	2
	Power failure buffering for logic supply (pin 2)	[ms]	10
	Current consumption	Load, pin 1	[A]
Logic, pin 2		[A]	Max. 4.0
Feature	-		2 pneumatic axes
Axis connection	Digital inputs	[max]	16 function inputs ¹⁾
	Digital outputs	[max]	16 function outputs ¹⁾
Electrical connections	Power supply unit		3-pin terminal strip
	Axis connection		5-pin terminal strip
CE marking symbol (see conformity declaration)			As per EU EMC directive
Weight		[g]	82
Mounting location → 9			1

1) Either as 1 input module and 1 output module of the CP modules or 1 input/output module SPC-FIO-...

Pin allocation



- 1 Terminal strip on cable type KSPC-AIF-WD-... pre-assembled
- 2 3-pin terminal strip included in the scope of delivery. Connection cross section max. 1.5 mm²

Connecting cable → 29, no. 1

Note

The valves at the axis interfaces and the outputs of the CP modules are supplied via the 24 V load supply. They can therefore be switched off independently of the logic supply in an emergency stop situation.

1 AXES (X1)		2 PWR (X2)	
Pin	Function	Pin	Function
1	CAN-LOW (brown)	1	24 V load supply (switchable)
2	CAN-HIGH (white)	2	24 V supply logic
3	24 V (yellow)	3	0 V
4	0 V (green)		
5	24 V load supply (grey)		

Ordering data			
		Part No.	Type
Plug-in card	Power supply unit and axis interface connection	170 175	SPC200-PWR-AIF

Axis controllers SPC200

Technical data

Serial interface SPC200-MMI-DIAG

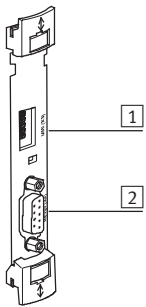
Function
Serial interface for diagnostics and programming, connection of the control unit MMI-1



General technical data			SPC200-MMI-DIAG
Current consumption	Plug-in card	[mA]	Typically 50 ¹⁾
Serial interface	Version		RS 232 C
	Electrical isolation		Yes
	Baud rate	[baud]	9,600; 19,200; 38,400; 57,600; 115,200 ²⁾
	Data	[bit]	8
	Stop bit	[bit]	1
	Parity		Even parity
	Protocol		No handshake
MMI interface	Version		Similar to RS 232 C
	Electrical isolation		No
Electrical connections	Serial interface		9-pin SUB-D, female
	MMI-1		5 double-pin row
CE marking symbol (see conformity declaration)			As per EU EMC directive
Weight		[g]	68
Mounting location → 9			2

1) With control unit SPC200-MMI-1
2) The baud rate is 9,600 baud after each POWER ON

Pin allocation



- 1) Interface for control unit SPC200-MMI-1
 - 2) Serial interface
- Connecting cable → 29, no. 7

2) RS232 (X4)	
Pin	Function
2	Received Data (RxD)
3	Transmitted Data (TxD)
5	Signal Ground (SNGD)

Ordering data			Part No.	Type
Plug-in card	Diagnostics and control unit connection		170 176	SPC200-MMI-DIAG

Axis controllers SPC200

Technical data

FESTO

Digital I/O module SPC200-DIO

Function
Digital input/output card (local I/O)



General technical data		SPC200-DIO
Current consumption	Plug-in card [mA]	Typically 50
Digital inputs	Number	10
	Sensor supply [A]	0.5 ¹⁾
	Current consumption [mA]	8 (at 24 V DC/"logic 1")
	Fuse protection for sensor supply	Electronic short-circuit protection
	Delay [ms]	5
Digital outputs	Number	8
	Supply [V DC]	24 ±25% ²⁾
	Max. current-carrying capacity per output [mA]	250
	Fuse protection for outputs	Electronic, all outputs
	Max. tripping current [A]	2
	Response time [ms]	1.5
Version	Inputs/outputs	To IEC 61131-2, positive logic (PNP)
Electrical isolation	Inputs/outputs	No/yes
Electrical connections	Inputs	12-pin terminal strip
	Outputs	10-pin terminal strip
Weight	[g]	62
Mounting location → 9		From 3 upwards

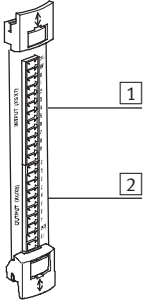
1) Via internal 24 V supply (pin 2 to PWR to plug-in card SPC200-PWR-AIF)

2) Supplied separately, note load data

Axis controllers SPC200

Technical data

Pin allocation



- 1 12-pin terminal strip included in the scope of delivery. Connection cross section max. 1.5 mm²
- 2 10-pin terminal strip included in the scope of delivery. Connection cross section max. 1.5 mm²

Note

Inputs and outputs on the first card are reserved for necessary functions such as start, stop, etc. Up to 7 inputs and 5 outputs are freely programmable.

On the other cards, all 10 inputs and 8 outputs are freely programmable. Up to 4 I/O cards can be inserted (in 6x rack).

1 Input (X5/X7)			
Pin	Function	Start/stop operation	Set selection
1	24 V	Supply (for switch/sensor)	
2	0 V		
3	I0.0	Freely programmable	RECBIT1
4	I0.1	Freely programmable	RECBIT2
5	I0.2	Freely programmable	RECBIT3
6	I0.3	Freely programmable	RECBIT4
7	I0.4	Freely programmable	RECBIT5
8	I0.5	(SYNC_IN/B) ¹⁾	CLK_B
9	I0.6	(SYNC_IN/B) ¹⁾	CLK_A
10	I0.7	STOP	STOP
11	I0.8	START/RESET ²⁾	RESET ²⁾
12	I0.9	ENABLE	ENABLE

2 Output (X2)			
Pin	Function	Start/stop operation	Set selection
1	Q0.0	Freely programmable	–
2	Q0.1	Freely programmable	–
3	Q0.2	Freely programmable	–
4	Q0.3	MC_B	RC_B
5	Q0.4	MC_A	RC_A
6	Q0.5	(SYNC_OUT/B) ¹⁾	ACK_B
7	Q0.6	(SYNC_OUT/A) ¹⁾	ACK_A
8	Q0.7	READY	READY
9	24 V	Supply (load supply for outputs)	
10	0 V		

- 1) Freely programmable, if not used
- 2) Reset (program reset) only in combination with 0 signal at stop input

Ordering data

		Part No.	Type
Plug-in card	Digital inputs/outputs (10I/8O)	170 179	SPC200-DIO

Axis controllers SPC200

Technical data

FESTO

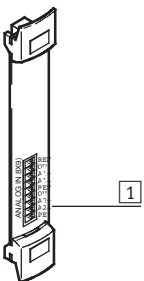
Setpoint module SPC200-2AI-U

Function
Analogue input card



General technical data			SPC200-2AI-U
Current consumption	Plug-in card	[mA]	Typically 10
Analogue inputs	Number		2
	Input voltage	[V DC]	0 ... 10
	Input filter, low pass	[Hz]	16
	Resolution	[bit]	12
	Non-linearity		3 LSB
	Max. amplification error	[%]	0.2
	Max. offset error	[mV]	1.5
	Absolute accuracy	[%]	< 0.3
	Input resistance	[kΩ]	> 200
Reference voltage		[V DC]	10
	Absolute accuracy	[%]	0.4
	Max. current	[mA]	8
Electrical connection			9-pin terminal strip
Weight		[g]	55
Mounting location →	9		From 3 upwards

Pin allocation



1 9-pin terminal strip included in the scope of delivery.
Connection cross section max. 1.5 mm²

Note

Max. 2 plug-in cards can be used for position specifications for up to 4 axes.
The allocation of the channel to an axis is programmable.

Only one axis can be allocated to each channel.
Offset and scaling of the setpoint specifications are also separately programmable for each channel.

1 Analogue IN (X9)	
Pin	Function
1	Reference voltage 10 V _{REF}
2	0 V
3	A1+; signal (+) for channel 1
4	A1-; signal (-) for channel 1
5	Reference voltage 10 V _{REF}
6	0 V
7	A2+; signal (+) for channel 2
8	A2-; signal (-) for channel 2
9	PE

Ordering data		Part No.	Type
Plug-in card	Analogue setpoint specification, 2 channels, 0 ... 10 V	170 177	SPC200-2AI-U

Axis controllers SPC200

Technical data

Sub-controller SPC200-SCU-AIF

Function

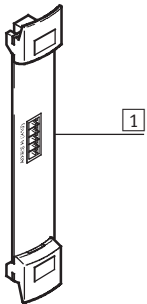
Contains the position controllers for 2 further pneumatic axes and connection for the second axis string



General technical data			SPC200-SCU-AIF
Current consumption	Plug-in card	[mA]	Typically 100
Axis connection	2nd string		3rd and 4th pneumatic axes
	Digital inputs	[max]	16 function I/O ¹⁾
	Digital outputs	[max]	16 function I/O ¹⁾
Electrical connection	Axis connection		5-pin terminal strip
CE marking symbol (see conformity declaration)			As per EU EMC directive
Weight		[g]	80
Mounting location → 9			From 3 upwards

1) Either as 1 input module and 1 output module of the CP modules or 1 input/output module SPC-FIO-...

Pin allocation



1 Terminal strip on cable
type KSPC-AIF-1-WD-...
pre-assembled

Connecting cable → 29, no. 1

1 AXES B (X10)	
Pin	Function
1	CAN-LOW (brown)
2	CAN-HIGH (white)
3	24 V (yellow)
4	0 V (green)
5	24 V load supply (grey)

Ordering data		
		Part No. Type
Plug-in card	Sub-controller for 3rd and 4th pneumatic axes	178 311 SPC200-SCU-AIF

Axis controllers SPC200

Technical data

FESTO

PROFIBUS-DP interface SPC200-COM-PDP

Function
PROFIBUS interface of the SPC200 as
slave to a PROFIBUS network



General technical data			SPC200-COM-PDP	
Current consumption	Plug-in card	[mA]	Typically 50	
Profibus	Version		RS 485	
	Electrical isolation		Yes	
	Type of transmission		Serial asynchronous, half-duplex	
	Protocols		PROFIBUS DP (standard slave), to DIN 19245, 1 – 4, EN 50170 Vol. 2	
	Addressing range of the fieldbus interface		0 ... 125	
	Max. address volume	Outputs	[Byte]	32
		Inputs	[Byte]	32
	Baud rate		[kBit/s]	9.6 – 12,000 ¹⁾
Line length		[km]	23.8 ²⁾	
Max. load capacity		[mA]	100 ³⁾	
Configuration support for the fieldbus interface			GSD file	
Electrical connection	PROFIBUS		9-pin SUB-D, female	
CE marking symbol (see conformity declaration)			As per EU EMC directive	
Weight		[g]	80	
Mounting location → 9			From 3 upwards ⁴⁾	

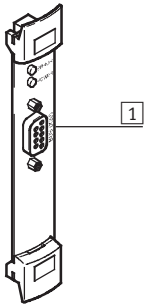
- 1) Automatic baud rate detection
- 2) Line length dependent on baud rate and type of cable
- 3) Supply voltage positive (PV5), pin 6
- 4) When using the control unit MMI-1 as of location 4

Axis controllers SPC200

Technical data

FESTO

Pin allocation



1 9-pin plug usable acc. to PROFIBUS standard, type FBS-SUB-9-WS-PB-K → Table below

New

Position data can be read and written directly via PROFIBUS (as of firmware release 2.0)

1 Bus (X20)

Pin	Function
1	PE
2	Unused
3	RxD/TxD-P
4	CNTR-P
5	DGND
6	UP
7	Unused
8	RxD/TxD-N
9	Unused

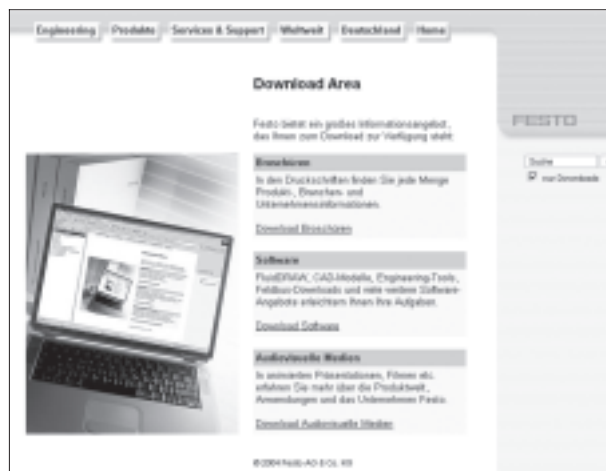
Ordering data

		Part No.	Type
Plug-in card	PROFIBUS DP interface	170 224	SPC200-COM-PDP
Accessories	Connector plug	533 780	FBS-SUB-9-WS-PB-K
User documentation	For PROFIBUS DP interface, German	188 892	P.BE-SPC200-COM-PDP-DE
	For PROFIBUS DP interface, English	188 893	P.BE-SPC200-COM-PDP-EN
Software and manual	For Simatic S7 controller, German	540 188	P.SW-SPC200-S7-PC-DE
	For Simatic S7 controller, English	540 189	P.SW-SPC200-S7-PC-EN

Function modules

→ www.festo.com

Function modules that support communication between third-party controllers and the PROFIBUS card of the axis controller SPC200 can be downloaded from the Download Area of the Festo website.



Axis controllers SPC200

Technical data

FESTO

DeviceNet interface SPC200-COM-DN2

Function

DeviceNet interface of the SPC200 as slave to a DeviceNet network.



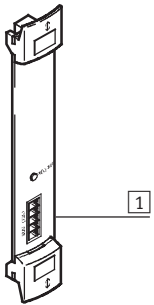
General technical data		SPC200-COM-DN2
Current consumption	Plug-in card [mA]	Typically 50
Power supply	Fieldbus [V DC]	11 ... 30
DeviceNet bus	Version	– Physical layer (layer 1) to ISO/DIS 11898 – Standard highspeed to 1Mbit – Data Link layer (layer 2) to CAN specifications V2.0 – DeviceNet, Release 2.0
	Electrical isolation	Yes
	Protocols	– DeviceNet-IO – DeviceNet-Profil
	Addressing range of the fieldbus interface	0 ... 63
Number of outputs	Baud rate [kBit/s]	125, 250, 500
	Set selection [Byte]	2
Number of inputs	Start/Stop [Byte]	2 ... 8
	Set selection [Byte]	4
Operation characteristic	Start/Stop [Byte]	2 ... 8
		Reading an writing inputs and outputs Reading and writing all program registers of the SPC200 Read out the actual position Digital setpoint specification
LED display		Module and network status
Device-specific diagnosis		Via status bit
		Via WinPISA status display
Configuration support for the fieldbus interface		EDS file
Electrical connection	Open Style	5-pin terminal strip
CE marking symbol (see conformity declaration)		As per EU EMC directive
Weight	[g]	80
Mounting location → 9		From 3 upwards

Axis controllers SPC200

Technical data

FESTO

Pin allocation



- 1 5-pin terminal strip included in the scope of delivery.
Connection cross section max. 1.5 mm²

New

The card SPC200-COM-DN2 facilitates the connection of the SPC200 to DeviceNet. Position data can be read and written directly via PROFIBUS (as of firmware release 4.9).

1 Bus (X20)

Pin	Function
1	0 V bus interface/logic (CAN_GND)
2	Data - (CAN_L)
3	Screen (CAN_SHLD)
4	Data + (CAN_H)
5	24 V DC bus interface/logic (CAN_V+)

Ordering data

		Part No.	Type
Plug-in card	DeviceNet interface	540 305	SPC200-COM-DN2
User documentation	For DeviceNet interface, German	196 607	P.BE-SPC200-COM-CANDN-DE
	For DeviceNet interface, English	196 608	P.BE-SPC200-COM-CANDN-EN

Axis controllers SPC200

Technical data

FESTO

Axis interface

SPC-AIF-POT

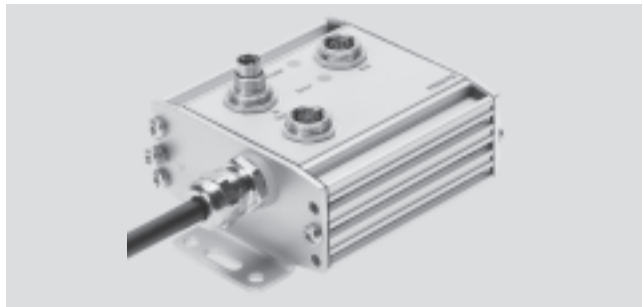
SPC-AIF-POT-LWG

SPC-AIF-MTS

Function

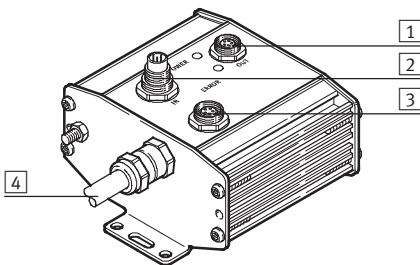
Connection of the proportional valve and the displacement encoder of a pneumatic axis to the SPC200.

Routing of the axis connection to the second axis interface or to a CP module



General technical data		SPC-AIF-POT	SPC-AIF-POT-LWG	SPC-AIF-MTS
Current consumption	Axis interface [mA]	100	100	200
	Prop. directional control valve, max. [A]	1.1		
Electrical connections	AIF IN	5-pin M9, male		
	AIF OUT	5-pin M9, female		
	Prop. directional control valve	7-pin M9, male		
	Displ. encoder cable length [m]	0.3		
	Plug	Type A DIN 43650	4-pin square plug	6-pin round connector DIN 45322
CE marking symbol (see conformity declaration)		As per EU EMC directive		
Ambient conditions	Temperature range [°C]	0 ... +50		
	Protection class to IEC 60529	IP65		
Weight [g]	300			

Pin allocation



Connecting cable → 29,
no. [2]/no. [3]/no. [5]

1 AIF OUT	
Pin	Function
1	24 V (yellow)
2	24 V load supply (grey)
3	0 V (green)
4	CAN-HIGH (white)
5	CAN-LOW (brown)
PE	Screen

2 AIF IN	
Pin	Function
1	24 V (yellow)
2	24 V load supply (grey)
3	0 V (green)
4	CAN-HIGH (white)
5	CAN-LOW (brown)
PE	Screen

3 Proportional directional control valve	
Pin	Function
1	+24 V
2	0 V
3	0 V
4	Setpoint value
5	GND
6	Unused
7	+24 V
PE	Screen

4 Displacement encoder POT	
Pin	Function
1	+10 V (green)
2	Signal (white)
3	GND (brown)
PE	PE (yellow)

4 Displacement encoder LWG	
Pin	Function
1	+10 V (green)
2	Signal (white)
3	GND (brown)
PE	PE (yellow)

4 Displacement encoder MTS	
Pin	Function
1	Can LOW (white)
2	Can HIGH (yellow)
3	Unused
4	Unused
5	+24 V (green)
6	0 V (brown)
PE	Screen

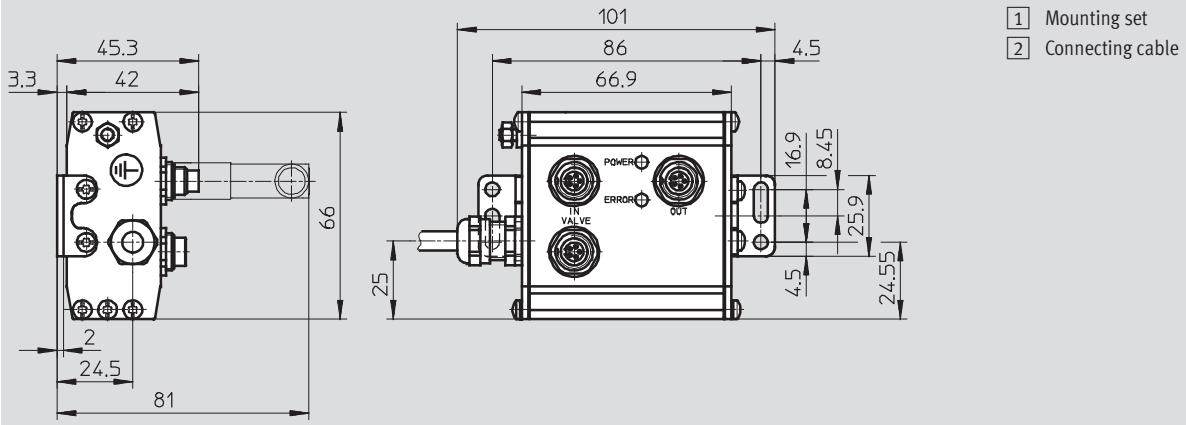
Axis controllers SPC200

Technical data

Dimensions

Download CAD Data → www.festo.com/us/cad

SPC-AIF-POT/-LWG/-MTS



Ordering data

		Part No.	Type
Axis interface	For analogue displacement encoder	170 228	SPC-AIF-POT
	For digital displacement encoder	527 496	SPC-AIF-POT-LWG
Accessories	Terminating resistor for AIF string	170 231	SPC-AIF-MTS
	Mounting set for vertical fitting	175 403	KABS-M9-R100 ¹⁾
		540 309	SPC-HBW-SET

1) One contained in SPC200/POX

Axis controllers SPC200

Technical data

FESTO

Axis interface SPC-AIF-INC

Function

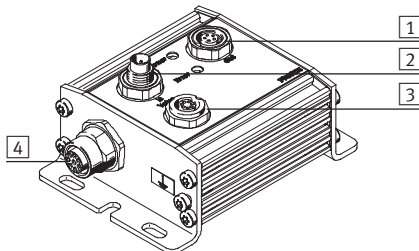
Connection of the proportional valve and the displacement encoder of a pneumatic axis to the SPC200.

Routing of the axis connection to the second axis interface or to a CP module.



General technical data		SPC-AIF-INC
Current consumption	Axis interface [mA]	60
	Prop. directional control valve, max. [A]	1.1
Electrical connections	AIF IN	5-pin M9, male
	AIF OUT	5-pin M9, female
	Prop. directional control valve	7-pin M9, female
	Displacement encoder	8-pin M12, female
CE marking symbol (see conformity declaration)		As per EU EMC directive
Ambient conditions	Temperature range [°C]	0 ... +50
	Protection class to IEC 60529	IP65
Weight	[g]	240

Pin allocation



Connecting cable → 29,
no. [2]/no. [3]/no. [5]

1 AIF OUT	
Pin	Function
1	24 V (yellow)
2	24 V load supply (grey)
3	0 V (green)
4	CAN-HIGH (white)
5	CAN-LOW (brown)
PE	Screen

2 AIF IN	
Pin	Function
1	24 V (yellow)
2	24 V load supply (grey)
3	0 V (green)
4	CAN-HIGH (white)
5	CAN-LOW (brown)
PE	Screen

3 Proportional directional control valve	
Pin	Function
1	+24 V
2	0 V
3	0 V
4	Setpoint value
5	GND
6	Unused
7	+24 V
PE	Screen

4 Displacement encoder INC	
Pin	Function
1	5 V
2	GND
3	sin+
4	sin-
5	cos-
6	cos+
7	Screen
8	-

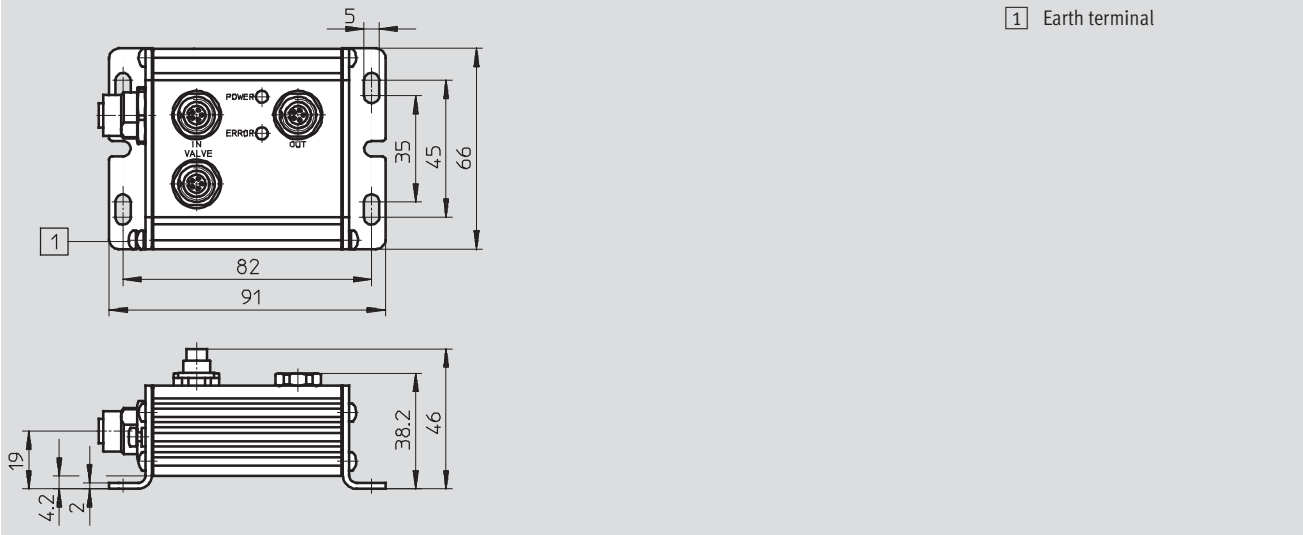
Axis controllers SPC200

Technical data

Dimensions

Download CAD Data → www.festo.com/us/cad

SPC-AIF-INC



Ordering data

		Part No.	Type
Axis interface	For digital displacement encoder	537 320	SPC-AIF-INC
Accessories	Terminating resistor for AIF string	175 403	KABS-M9-R100 ¹⁾

1) One contained in SPC200/POX

Axis controllers SPC200

Technical data

FESTO

Axis interface SPC-AIF-MTS-2

Function

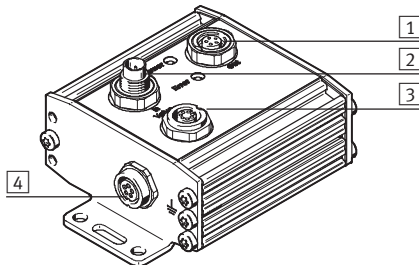
Connection of the proportional valve and the displacement encoder of a pneumatic axis to the SPC200.

Routing of the axis connection to the second axis interface or to a CP module.



General technical data		SPC-AIF-MTS-2
Current consumption	Axis interface [mA]	200
	Prop. directional control valve, max. [A]	1.1
Electrical connections	AIF IN	5-pin M9, male
	AIF OUT	5-pin M9, female
	Prop. directional control valve	7-pin M9, male
	Displacement encoder	5-pin M9, female
CE marking symbol (see conformity declaration)		As per EU EMC directive
Ambient conditions	Temperature range [°C]	0 ... +50
	Protection class to IEC 60529	IP65
Weight [g]		300

Pin allocation



Connecting cable → 29,
no. [2]/no. [3]/no. [5]

[1] AIF OUT	
Pin	Function
1	24 V (yellow)
2	24 V load supply (grey)
3	0 V (green)
4	CAN-HIGH (white)
5	CAN-LOW (brown)
PE	Screen

[2] AIF IN	
Pin	Function
1	24 V (yellow)
2	24 V load supply (grey)
3	0 V (green)
4	CAN-HIGH (white)
5	CAN-LOW (brown)
PE	Screen

[3] Proportional directional control valve	
Pin	Function
1	+24 V
2	0 V
3	0 V
4	Setpoint value
5	GND
6	Unused
7	+24 V
PE	Screen

[4] Displacement encoder DGCI	
Pin	Function
1	+24 V
2	Unused
3	0 V
4	CAN-HIGH
5	CAN-LOW
PE	Screen

Axis controllers SPC200

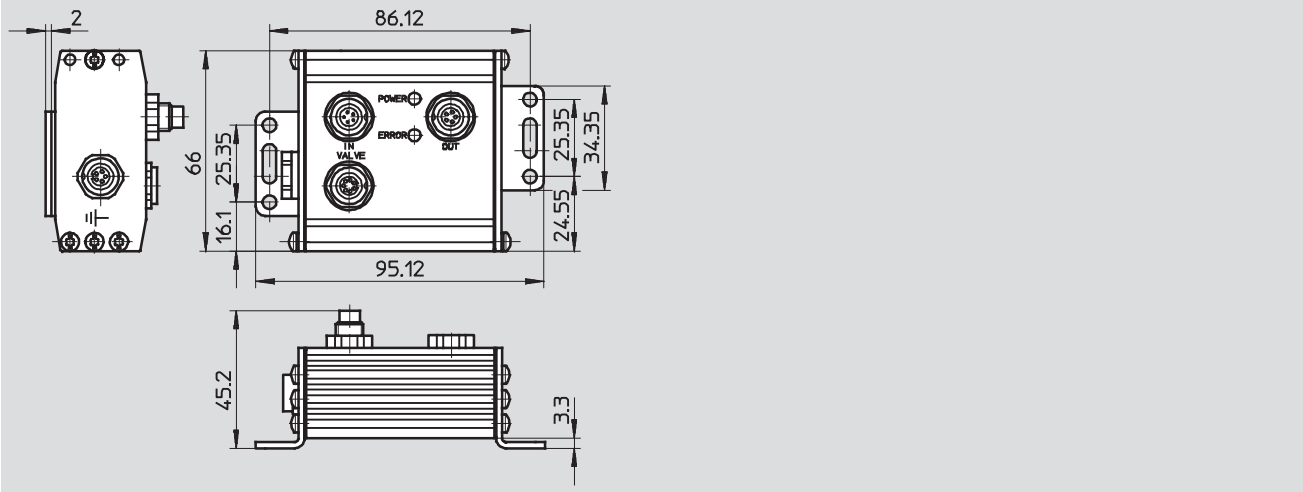
Technical data

FESTO

Dimensions

Download CAD Data → www.festo.com/us/cad

SPC-AIF-MTS-2



Ordering data

		Part No.	Type
Axis interface	For digital displacement encoder	548 128	SPC-AIF-MTS-2
Accessories	Terminating resistor for AIF string	175 403	KABS-M9-R100 ¹⁾

1) One contained in SPC200/POX

Axis controllers SPC200

Technical data

FESTO

Power supply module SPC-AIF-SUP-24V

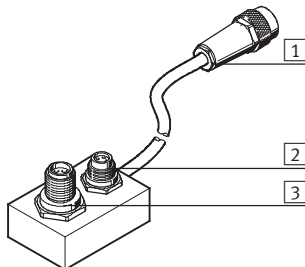
Function

Additional power supply for the load voltage at the axis interface string, for cable lengths over 16 m.



General technical data		SPC-AIF-SUP-24V
Electrical connections	AIF IN	5-pin M9, male
	AIF OUT	5-pin M9, female
	Cable length	[m] 0.2
	For load voltage	5-pin M12, male
	Voltage	[V DC] 24 – 5/+25%
	Current	[A] 3
Protection against polarity reversal		No
CE marking symbol (see conformity declaration)		As per EU EMC directive
Ambient conditions	Temperature range	[°C] 0 ... +50
	Protection class to DIN 60529	IP65
Weight	[g]	150

Pin allocation



Connecting cable → 29,
no. [3]/no. [4]

[1] AIF OUT	
Pin	Function
1	24 V (yellow)
2	24 V load supply of [3]
3	0 V (green)
4	CAN-HIGH (white)
5	CAN-LOW (brown)
PE	Screen

[2] AIF IN	
Pin	Function
1	24 V (yellow)
2	Unused
3	0 V (green)
4	CAN-HIGH (white)
5	CAN-LOW (brown)
PE	Screen

[3] Load supply	
Pin	Function
1	Unused
2	24 V load
3	0 V
4	Unused

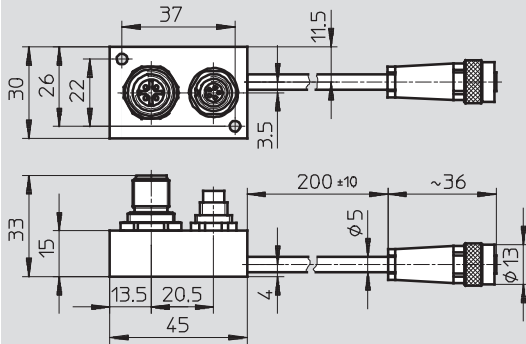
Axis controllers SPC200

Technical data

Dimensions

Download CAD Data → www.festo.com/us/cad

SPC-FIO-2E/2A-M8



Ordering data

		Part No.	Type
Power supply module	Additional power supply for the load voltage	171 182	SPC-AIF-SUP-24V

Axis controllers SPC200

Technical data

FESTO

Control unit SPC200-MMI-1

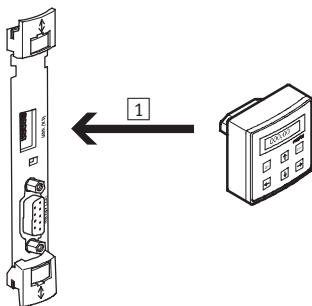
Not all functions of the axis controller SPC200 are supported. Please use WinPISA for commissioning.



General technical data		SPC200-MMI-1
Display		LCD display, 2 x 16 characters
Operation		Touch-sensitive keypad with 6 keys
Power supply	[V DC]	5 ¹⁾
Current consumption	[mA]	30 ²⁾
Interface		3 ³⁾
Electrical isolation		No
Electrical connections	Interface	10-pin row
	Power supply	10-pin row
CE marking symbol (see conformity declaration)		As per EU EMC directive
Ambient conditions	Temperature range	[°C] -5 ... +50
	Protection class to IEC 60529	
Weight	[g]	90

- 1) Is supplied directly via the plug-in card SPC200-MMI-DIAG
 2) Referred to 24 V supply of the SPC200-PVR card
 3) Similar to RS 232

Pin allocation



- 1 Plug-in direct

Ordering data

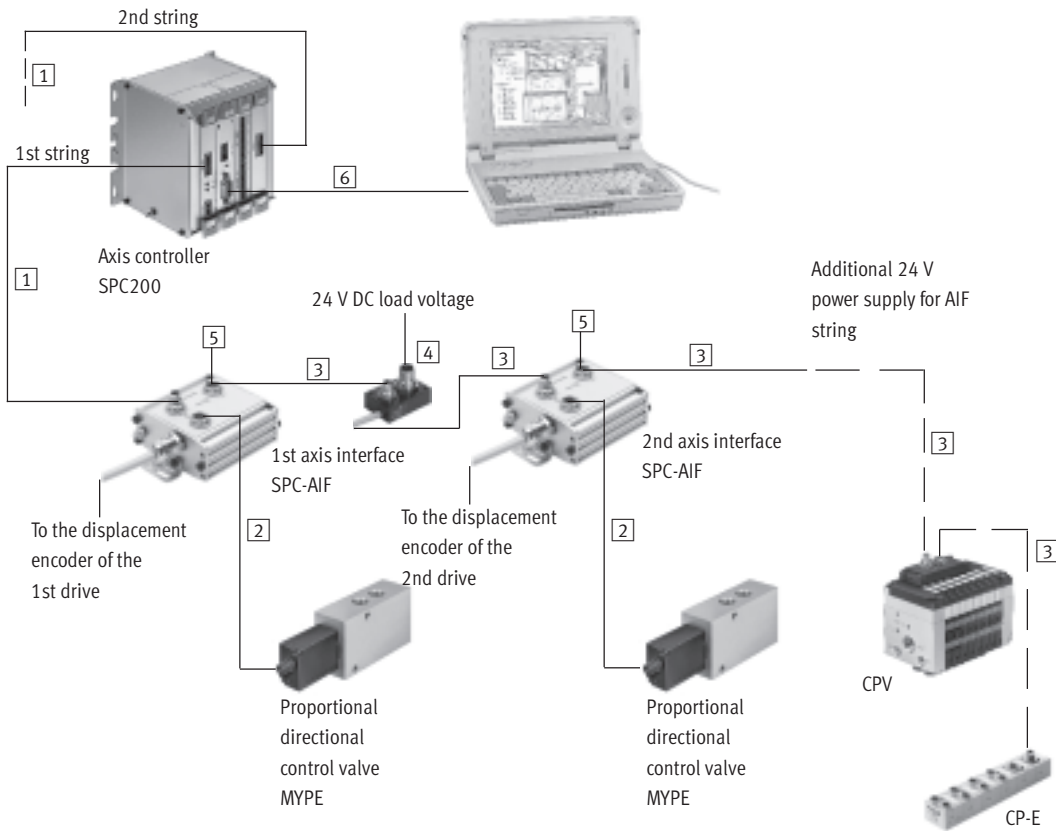
		Part No.	Type
Control unit	For commissioning, programming and diagnostics	170 226	SPC200-MMI-1

Axis controllers SPC200

Accessories

FESTO

Cables – Pneumatic drives



No.	Brief description	Length [m]	Connection	Suitable for chain link trunking	Part No.	Type
1	Connecting cable for axis controller/interface ¹⁾	5	angled	–	170 236	KSPC-AIF-1-WD-5
1	Connecting cable for axis controller/interface ¹⁾	8	angled	–	170 237	KSPC-AIF-1-WD-8
2	Connecting cable for axis interface/valve	0.3	straight	–	170 239	KMPYE-AIF-1-GS-GD-0,3
2	Connecting cable for axis interface/valve	2	straight	–	170 238	KMPYE-AIF-1-GS-GD-2
3	Connecting cable for axis interface/function I/O ¹⁾	0,25	angled	■	540 327	KVI-CP-3-WS-WD-0,25
3	Connecting cable for axis interface/function I/O ¹⁾	0,5	angled	■	540 328	KVI-CP-3-WS-WD-0,5
3	Connecting cable for axis interface/function I/O ¹⁾	2	angled	■	540 329	KVI-CP-3-WS-WD-2
3	Connecting cable for axis interface/function I/O ¹⁾	5	angled	■	540 330	KVI-CP-3-WS-WD-5
3	Connecting cable for axis interface/function I/O ¹⁾	8	angled	■	540 331	KVI-CP-3-WS-WD-8
3	Connecting cable for axis interface/function I/O ¹⁾	2	straight	■	540 332	KVI-CP-3-GS-GD-2
3	Connecting cable for axis interface/function I/O ¹⁾	5	straight	■	540 333	KVI-CP-3-GS-GD-5
3	Connecting cable for axis interface/function I/O ¹⁾	8	straight	■	540 334	KVI-CP-3-GS-GD-8
4	Additional 24 V power supply for AIF string ²⁾	–	straight	–	171 182	SPC-AIF-SUP-24 V
5	Terminating resistor for AIF string ³⁾	–	straight	–	175 403	KABS-M9-R100
6	Programming cable	3	straight	–	151 915	KDI-PPA-3-BU9

- 1) The total length of the lines must not exceed 30 m
 2) Recommended where the total length of connecting cable is over 16 m
 3) Must be connected at the last axis interface in the chain
 (Contained in the controller package SPC200/POX)

Product Range and Company Overview

A Complete Suite of Automation Services

Our experienced engineers provide complete support at every stage of your development process, including: conceptualization, analysis, engineering, design, assembly, documentation, validation, and production.



Custom Automation Components
Complete custom engineered solutions



Custom Control Cabinets
Comprehensive engineering support and on-site services



Complete Systems
Shipment, stocking and storage services

The Broadest Range of Automation Components

With a comprehensive line of more than 30,000 automation components, Festo is capable of solving the most complex automation requirements.



Electromechanical
Electromechanical actuators, motors, controllers & drives



Pneumatics
Pneumatic linear and rotary actuators, valves, and air supply



PLCs and I/O Devices
PLC's, operator interfaces, sensors and I/O devices

Supporting Advanced Automation... As No One Else Can!

Festo is a leading global manufacturer of pneumatic and electromechanical systems, components and controls for industrial automation, with more than 12,000 employees in 56 national headquarters serving more than 180 countries. For more than 80 years, Festo has continuously elevated the state of manufacturing with innovations and optimized motion control solutions that deliver higher performing, more profitable automated manufacturing and processing equipment. Our dedication to the advancement of automation extends beyond technology to the education and development of current and future automation and robotics designers with simulation tools, teaching programs, and on-site services.

Quality Assurance, ISO 9001 and ISO 14001 Certifications

Festo Corporation is committed to supply all Festo products and services that will meet or exceed our customers' requirements in product quality, delivery, customer service and satisfaction.

To meet this commitment, we strive to ensure a consistent, integrated, and systematic approach to management that will meet or exceed the requirements of the ISO 9001 standard for Quality Management and the ISO 14001 standard for Environmental Management.



© Copyright 2008, Festo Corporation. While every effort is made to ensure that all dimensions and specifications are correct, Festo cannot guarantee that publications are completely free of any error, in particular typing or printing errors. Accordingly, Festo cannot be held responsible for the same. For Liability and Warranty conditions, refer to our "Terms and Conditions of Sale", available from your local Festo office. All rights reserved. No part of this publication may be reproduced, distributed, or transmitted in any form or by any means, electronic, mechanical, photocopying or otherwise, without the prior written permission of Festo. All technical data subject to change according to technical update.



Printed on recycled paper at New Horizon Graphic, Inc., FSC certified as an environmentally friendly printing plant.

Festo North America

Festo Regional Contact Center

5300 Explorer Drive
Mississauga, Ontario L4W 5G4
Canada

USA Customers:

For ordering assistance,

Call: 1.800.99.FESTO (1.800.993.3786)

Fax: 1.800.96.FESTO (1.800.963.3786)

Email: customer.service@us.festo.com

For technical support,

Call: 1.866.GO.FESTO (1.866.463.3786)

Fax: 1.800.96.FESTO (1.800.963.3786)

Email: product.support@us.festo.com

Canadian Customers:

Call: 1.877.GO.FESTO (1.877.463.3786)

Fax: 1.877.FX.FESTO (1.877.393.3786)

Email: festo.canada@ca.festo.com

USA Headquarters

Festo Corporation
395 Moreland Road
P.O. Box 18023
Hauppauge, NY 11788, USA
www.festo.com/us

USA Sales Offices

Appleton

North 922 Tower View Drive, Suite N
Greenville, WI 54942, USA

Boston

120 Presidential Way, Suite 330
Woburn, MA 01801, USA

Chicago

1441 East Business Center Drive
Mt. Prospect, IL 60056, USA

Dallas

1825 Lakeway Drive, Suite 600
Lewisville, TX 75057, USA

Detroit – Automotive Engineering Center

2601 Cambridge Court, Suite 320
Auburn Hills, MI 48326, USA

New York

395 Moreland Road
Hauppauge, NY 11788, USA

Silicon Valley

4935 Southfront Road, Suite F
Livermore, CA 94550, USA

United States



USA Headquarters, East: Festo Corp., 395 Moreland Road, Hauppauge, NY 11788

Phone: 1.631.435.0800; Fax: 1.631.435.8026;

Email: info@festo-usa.com

www.festo.com/us

Canada



Headquarters: Festo Inc., 5300 Explorer Drive, Mississauga, Ontario L4W 5G4

Phone: 1.905.624.9000; Fax: 1.905.624.9001;

Email: festo.canada@ca.festo.com

www.festo.ca

Mexico



Headquarters: Festo Pneumatic, S.A., Av. Ceylán 3, Col. Tequesquahuac,
54020 Tlalneantla, Edo. de México

Phone: 011 52 [55] 53 21 66 00; Fax: 011 52 [55] 53 21 66 65;

Email: festo.mexico@mx.festo.com

www.festo.com/mx

Central USA

Festo Corporation
1441 East Business
Center Drive
Mt. Prospect, IL 60056, USA
Phone: 1.847.759.2600
Fax: 1.847.768.9480



Western USA

Festo Corporation
4935 Southfront Road,
Suite F
Livermore, CA 94550, USA
Phone: 1.925.371.1099
Fax: 1.925.245.1286



Festo Worldwide

Argentina Australia Austria Belarus Belgium Brazil Bulgaria Canada Chile China Colombia Croatia Czech Republic Denmark
Estonia Finland France Germany Great Britain Greece Hong Kong Hungary India Indonesia Iran Ireland Israel Italy Japan Latvia
Lithuania Malaysia Mexico Netherlands New Zealand Norway Peru Philippines Poland Romania Russia Serbia Singapore
Slovakia Slovenia South Africa South Korea Spain Sweden Switzerland Taiwan Thailand Turkey Ukraine United States Venezuela

www.festo.com