

Proximity switches for T-slot

FESTO



Product range overview

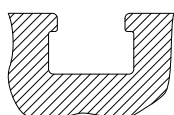
Design	Type of mounting	Measuring principle	Type	Operating voltage range	Switching output	Switching element function	→ Page
For T-slot	Standard						
	Screw-clamped, inserted in the slot from above	Magnetic Hall	SDBT-MSX	10 ... 30 V DC	PNP/NPN, switchable	N/O/ N/C contact, switchable	–
	Inserted in the slot from above, flush with the cylinder profile	Magneto-resistive	SMT-8M-A	5 ... 30 V DC	PNP	N/O contact	–
						N/C contact	
					NPN	N/O contact	
					Non-contacting, 2-wire	N/O contact	
	Inserted in the slot from above, flush with the cylinder profile	Magnetic reed	SME-8M	5 ... 30 V AC/DC	Contacting, bipolar	N/O contact	–
						N/C contact	
	Inserted in the slot lengthwise, flush with the cylinder profile	Magnetic reed	SME-8	12 ... 30 V AC/DC	Contacting, bipolar	N/O contact	–
						N/C contact	
				3 ... 230 V AC/DC		N/O contact	–
	Inserted in the slot lengthwise	Magneto-resistive	SMT-8G	10 ... 30 V DC	PNP, NPN	N/O contact	–
		Magneto-resistive	SMT-8-SL	10 ... 30 V DC	PNP	N/O contact	–
		Magnetic reed	SME-8-SL	10 ... 30 V AC/DC	Contacting, bipolar	N/O contact	–
	Inserted in the slot from above	Magnetic reed	SME-8-FM	10 ... 30 V AC/DC	Contacting, bipolar	N/O contact	–
	With accessories	Magneto-resistive	SMT-8-E	10 ... 30 V DC	PNP	N/O contact	–
					NPN		
		Magnetic reed	SME-8-E	12 ... 30 V DC	Contacting, bipolar	N/O contact	7
				3 ... 250 V DC			
				3 ... 230 V AC			
	Corrosion-resistant						
	Inserted in the slot from above, flush with the cylinder profile	Magneto-resistive	CRSMT-8M	5 ... 30 V DC	PNP	N/O contact	–
	Welding-field-resistant						
	Inserted in the slot from above, screw-clamped	Magneto-resistive	SDBT-BSW	10 ... 30 V DC	PNP	N/O contact	–
					NPN		
					Non-contacting, 2-wire		
	With accessories	Magneto-inductive	SMT-8-E	10 ... 30 V DC	PNP	N/O contact	–
NPN							
Heat-resistant up to 120°C							
Inserted in the slot lengthwise, flush with the cylinder profile	Magnetic reed	SME-8-...S6	0 ... 30 V AC/DC	Contacting, bipolar	N/O contact	–	
With accessories	Magnetic reed	SME-8-E-...S6	0 ... 30 V DC	Contacting	N/O contact	7	
			0 ... 30 V AC				
To EU Explosion Protection Directive (ATEX)							
Inserted in the slot from above, screw-clamped	Magneto-resistive	SDBT-MS-...EX6	8.2 V DC	NAMUR	NAMUR	–	

Product range overview

Design	Type of mounting	Measuring principle	Type	Operating voltage range	Switching output	Switching element function	→ Page
For C-slot	Standard	Magneto-resistive	SMT-10M	10 ... 30 V DC	PNP	N/O contact	C-slot
					NPN		
	Non-contacting, 2-wire						
	Inserted in the slot from above, flush with the cylinder profile	Magnetic reed	SME-10M	5 ... 30 V AC/DC	Contacting, bipolar	N/O contact	
		Inserted in the slot lengthwise	Magneto-resistive	SMT-10G	10 ... 30 V DC	PNP	
Magnetic reed	SME-10		12 ... 27 V AC/DC	Contacting	N/O contact		

T-slot switches can be used for drives with T-slot

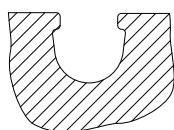
Exceptions



- DFM-B: SMT0-8E, SMTSO-8E, SME0-8E and SMP0-8E cannot be used
- DHDS: SME-8M can only be used on $\varnothing 50$
- DHPS: SME-8M can only be used on $\varnothing 20 \dots 35$
- HGDD-63-A: SMT-8M-A cannot be used
- HGPT-B: only SMT-8G can be used from size 40 and upwards
- SDBT-BSW- ... -PU/NU can only be used on a limited number of drive series. Page → 53

C-slot switches can be used for drives with C-slot

Exceptions



- ADVC $\varnothing 100$: SMT-10M and SME-10M cannot be used (ADVC has a T-slot and C-slot)
- DSM/DSM-B-6/8/10: SME-10M cannot be used
- DSM/DSM-B-10/16: SMT-10M cannot be used
- HGPT-B: only SMT-10G can be used for sizes up to and including size 35

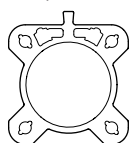
For drives with sensor rail: these are available with 2 cylinder barrel contours

Only T-slot switches CRSMT-8M, SMT-8M-A and SDBT-MS- ... -EX6 can be used, and only with the identified profile.

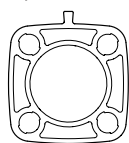
CRSMT-8M and SMT-8M-A can be used for all diameters; SDBT-MS- ... -EX6 cannot be used for diameters 40 and 50.

Example: DSBF

Example: CDC

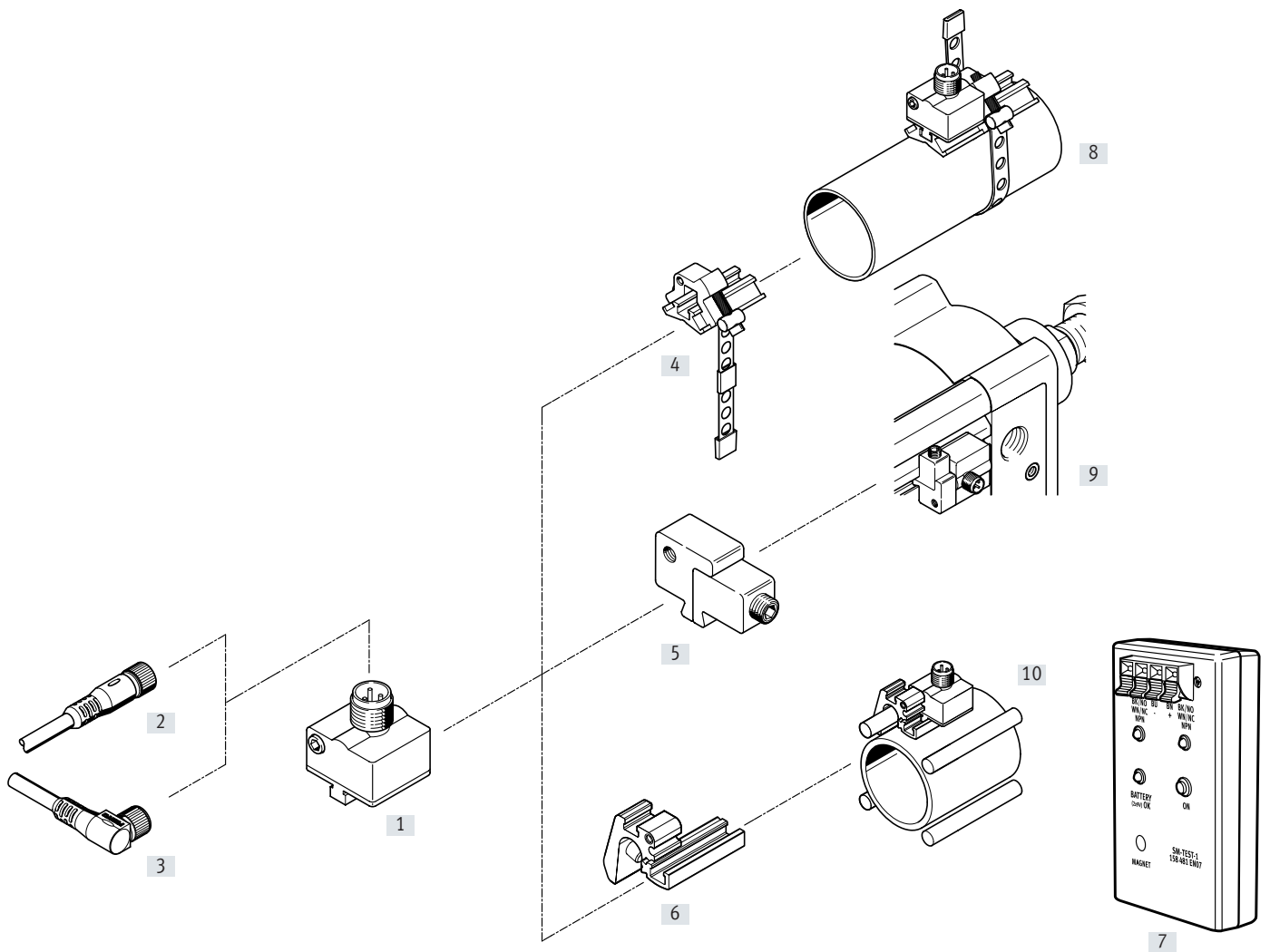


Suitable



Not suitable

Peripherals overview



Peripherals overview

Mounting components and accessories		→ Page	Mounting components and accessories		→ Page
Proximity switches			Mounting kits and accessories		
[1]	SMEO-8E, with cable or plug	7	[4]	Mounting kit SMBR-8-8/100-S6, heat resistant	11
			[5]	Mounting kit SMB-8E	11
			[6]	Mounting SMBZ-8-...	12
			[7]	Sensor tester SM-TEST-1	13
			-	Positioning element SMM-8	12
			-	Clip SMBK-8	13
			-	Inscription label ASLR	13
			-	Safety clip NEAU	13
Connecting cables			Drives		
[2]	NEBU-M...G...	13	[8]	Round cylinder	-
[3]	NEBU-M...W...	13	[9]	Standards-based cylinder DSBC	-
			[10]	Drives with tie or mounting rod	-

Type codes

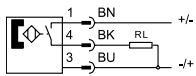
001	Series	
SMEO	Proximity sensor, magnetic, reed	
002	Design type	
8	For T-slot	
003	Sensor version	
E	Mounting with accessories	
004	Electrical connection, cable length	
K	Cable, 2.5 m or 7.5 m	
S	Plug M8x1 with cable, 0.3 m	
M12		

005	Switching status indication	
	None	
LED	Yellow LED	
006	Rated operating voltage	
24	24 V DC	
230	230 V AC	
007	Variant	
S6	Heat-resistant	

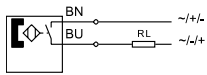
Data sheet – Magnetic reed

Function

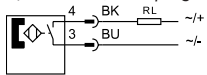
N/O contact, 3-wire, with plug



N/O contact, 2-wire, with cable



N/O contact, with plug



- Magnetic reed measuring principle
- Heat resistant variant



General technical data	SMEO-8E-...-24	SMEO-8E-...-24-S6, heat-resistant	SMEO-8E-...-230
Design	For T-slot	For T-slot	For T-slot
Conforms to standard	EN 60947-5-2	–	EN 60947-5-2
Certification	RCM compliance mark	–	RCM compliance mark
CE marking (see declaration of conformity)	To EU EMC Directive ¹⁾ –	–	To EU EMC Directive ¹⁾ To EU Low Voltage Directive
Note on materials	Free of copper and PTFE RoHS-compliant	Free of copper and PTFE –	Free of copper and PTFE –

1) For information about the area of use, see the EC declaration of conformity at: www.festo.com/sp → Certificates.

If the devices are subject to usage restrictions in residential, commercial or light-industrial environments, further measures for the reduction of the emitted interference may be necessary.

Input signal/measuring element	SMEO-8E-...-24	SMEO-8E-...-24-S6, heat-resistant	SMEO-8E-...-230
Measuring principle	Magnetic reed	Magnetic reed	Magnetic reed
Ambient temperature [°C]	–40 ... +60	–40 ... +120	–20 ... +60

Switching output	SMEO-8E-S-...	SMEO-8E-M-12-...	SMEO-8E-...-24-S6, heat-resistant	SMEO-8E-...-230
Switching output	Contacting, bipolar –	–	Contacting –	Contacting, bipolar Without LED function
Switching element function	N/O contact			
Repetition accuracy	–	0.2	–	0.2
Reproducibility of switching value [mm]	±0.1	–	±0.1	–
Switch-on time [ms]	0 ... 0.5	–	0 ... 0.5	0 ... 2
Switch-off time [ms]	0.03	–	0.03	0.03
Max. switching frequency [Hz]	800	–	500	500
Max. output current [mA]	500	–	500	120
Max. switching capacity DC [W]	10	–	10	10
Max. switching capacity AC [VA]	10	–	10	10
Voltage drop [V]	–	–	0.5	3.9

Output, additional data	
Short circuit current rating	No
Overload protection	Not provided

Electronics	SMEO-8E-...-24	SMEO-8E-...-24-S6, heat-resistant	SMEO-8E-...-230
Operating voltage range DC [V]	12 ... 30	0 ... 30	3 ... 250
Operating voltage range AC [V]	12 ... 30	0 ... 30	3 ... 230
Reverse polarity protection	No	For all electrical connections	No

Data sheet – Magnetic reed

Electromechanics		SMEO-8E-S-LED-24	SMEO-8E-M12-LED-24	SMEO-8E-K-24-S6, heat-resistant	SMEO-8E-M12-LED-230
Type					
Electrical connection		Plug M8x1, 3-pin	Plug M12x1, 3-pin	Cable, 2-wire	Plug M12x1, 3-pin
Connection technology		–	M12x1, A-coded to EN 61076-2-101	–	M12x1, A-coded to EN 61076-2-101
Number of pins/wires		–	3	–	3
Type of mounting		–	Screw-type lock	–	Screw-type lock
Outlet direction of connection		Lateral	Lateral	Lateral	In-line
Information on materials: Pin contacts		Nickel-plated brass	Brass	–	–
Cable length [m]		–	–	2.5	–
Information on materials: Cable sheath		–	PUR	TPE-S	–

Pin allocation to EN 60947-5-2

M12x1, 3-pin

N/O contact

	Pin	Wire colour	Allocation
	1	Brown	+
	3	Blue	–
	4	Black	Output

M8x1, 3-pin, 24 V

N/O contact

	Pin	Wire colour	Allocation
	1	Brown	+
	3	Blue	–
	4	Black	Output

Pin allocation to EN 60947-5-2

M12x1, 3-pin, 230 V

N/O contact

	Pin	Wire colour	Allocation
	4	Black	~ / +
	3	Blue	~ / –

Mechanics

Type		SMEO-8E-S-LED-24	SMEO-8E-M12-LED-24	SMEO-8E-K-24-S6, heat-resistant	SMEO-8E-M12-LED-230
Type of mounting		With accessories		With accessories	With accessories
Tightening torque [Nm]		0.5	0.5	0.5	0.5
Information on materials: Housing		TPE-U(PU)	TPE-U(PU)	TPE-U(PU)	TPE-U(PU)
		High-alloy stainless steel	High-alloy stainless steel	–	High-alloy stainless steel
		Wrought aluminium alloy	Wrought aluminium alloy	–	Wrought aluminium alloy
		Nickel-plated brass	–	–	–

Display/operation

	SMEO-8E-...-24	SMEO-8E-...-24-S6, heat-resistant	SMEO-8E-...-230
Switching status indication	Yellow LED	–	Yellow LED

Immission/emission

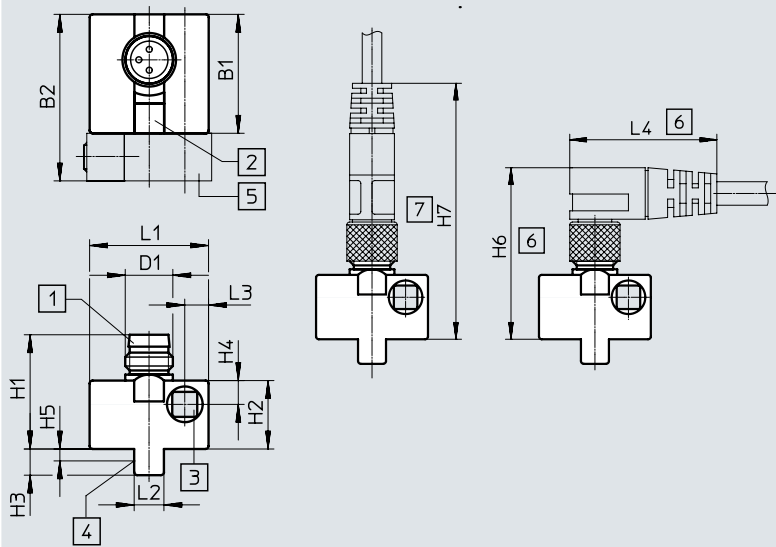
	SMEO-8E-...-24	SMEO-8E-...-24-S6, heat-resistant	SMEO-8E-...-230
Ambient temperature with flexible cable installation [°C]	–	–40 ... +120	–
Degree of protection	IP65	IP65	IP65
	IP67	IP67	IP67
Insulation voltage [V]	–	50	–
Surge resistance [kV]	0.8	–	4
Pollution degree	3	3	3

Data sheet – Magnetic reed

Dimensions

Download CAD data → www.festo.com

SMEO-8E-S-LED-24 – Plug M8x1



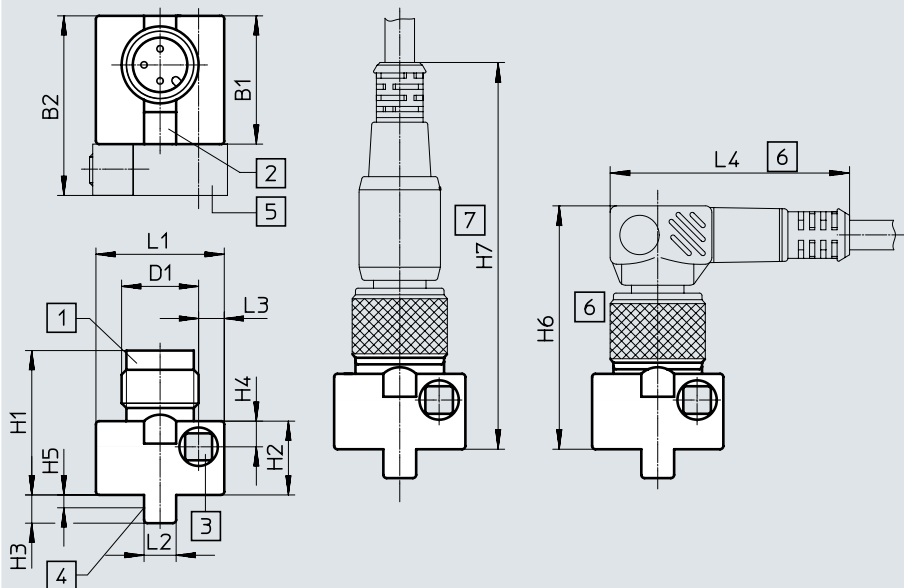
- [1] Suitable for plug socket type SIM-M8
- [2] Yellow light emitting diode
- [3] Socket head screw M3x25
DIN 912, max. tightening torque
1 Nm
- [4] Theoretical switching point
- [5] Mounting kit SMB-8E (not
included in scope of delivery)
- [6] Installation space for angled plug
socket 90°
- [7] Installation space for straight
plug socket

	B1 ±0.3	B2	D1	H1	H2 ±0.27	H3	H4	H5	H6	H7	L1 ±0.3	L2	L3	L4
SMEO-8E-...-S-LED-24	20	28	M8x1	19.2	11.5	4.4	4	2.2	~32	~46	20	5	4	~26

Dimensions

Download CAD data → www.festo.com

SMEO-8E-M12-LED-24 – Plug M12x1



- [1] Suitable for plug socket type SIM-M12
- [2] Yellow light emitting diode
- [3] Socket head screw M3x25
DIN 912, max. tightening torque
1 Nm
- [4] Theoretical switching point
- [5] Mounting kit SMB-8E (not
included in scope of delivery)
- [6] Installation space for angled plug
socket 90°
- [7] Installation space for straight
plug socket

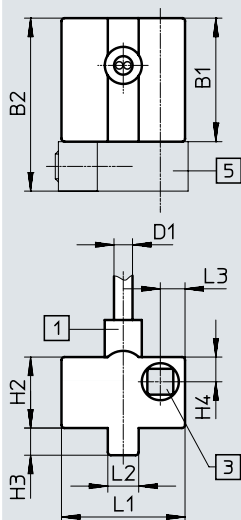
	B1 ±0.3	B2	D1	H1 ±0.34	H2 ±0.27	H3	H4	H5	H6	H7	L1 ±0.3	L2	L3	L4
SMEO-8E-...-M12-LED-24	20	28	M12x1	22.5	11.5	4.4	4	2.2	~36	~59	20	5	4	~36.5

Data sheet – Magnetic reed

Dimensions

Download CAD data → www.festo.com

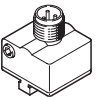
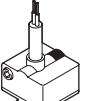
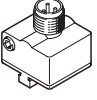
SMEO-8E-K24-S6 – Cable, heat-resistant up to 120°C



- [1] Cable, 2.5 m long, 2 x 0.14 mm²
- [3] Socket head screw M3x25
DIN 912, max. tightening torque
1 Nm
- [5] Mounting kit
SMB-8E (not included in scope of
delivery)

	B1 ±0.3	B2	D1	H2 ±0.27	H3	H4	L1 ±0.3	L2	L3
SMEO-8E-K24-S6	20	28	2.9	11.5	4.4	4	20	5	4

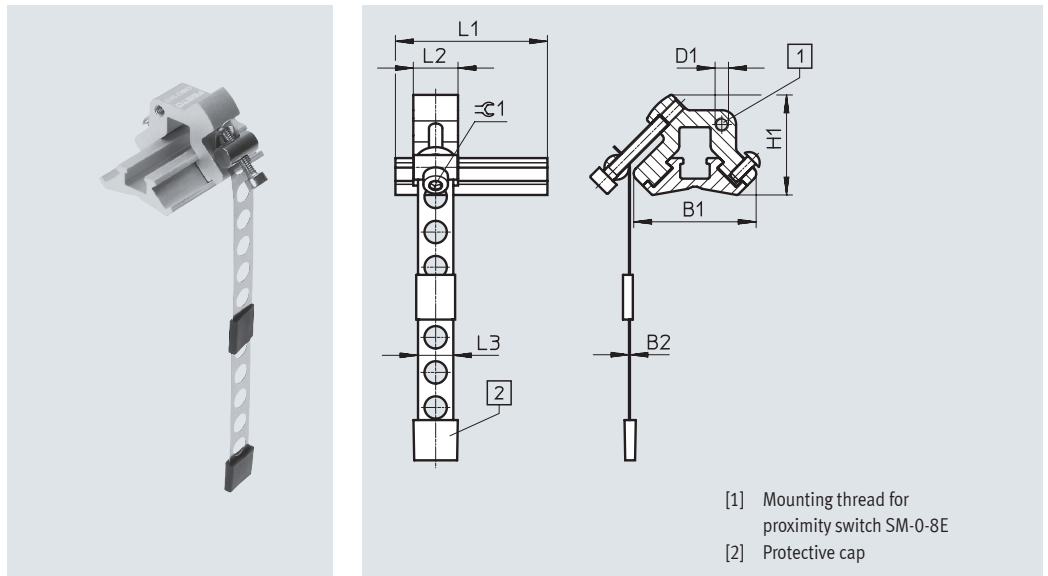
Ordering data

	Switching output	Electrical connection		Cable length [m]	Product weight [g]	Part no.	Type
		Plug M8x1	Plug M12x1				
N/O contact, basic version							
	Contacting, bipolar	3-pin	–		10	171163	SMEO-8E-S-LED-24
		–	3-pin		9	171164	SMEO-8E-M12-LED-24
N/O contact, heat-resistant							
	Contacting, bipolar	2-wire	–	2.5	40	171158	SMEO-8E-K-24-S6
N/O contact, operating voltage range 3 ... 250 V AC/DC							
	Contacting, bipolar	–	3-pin	–	9	171160	SMEO-8E-M12-LED-230

Accessories

Mounting kit SMBR-8-8/100-S6

Material:
 Rail: Anodised wrought aluminium alloy
 Clamping strap, screws: High-alloy stainless steel
 Free of copper and PTFE
 RoHS-compliant



Dimensions and ordering data											
For piston \varnothing	B1	B2	D1	H1	L1	L2	L3	$\approx \varnothing 1$	CRC ¹⁾	Part no.	Type
8 ... 100	27.4	0.2	M3	22.4	34	10	7.9	2.5	4	★ 538937	SMBR-8-8/100-S6

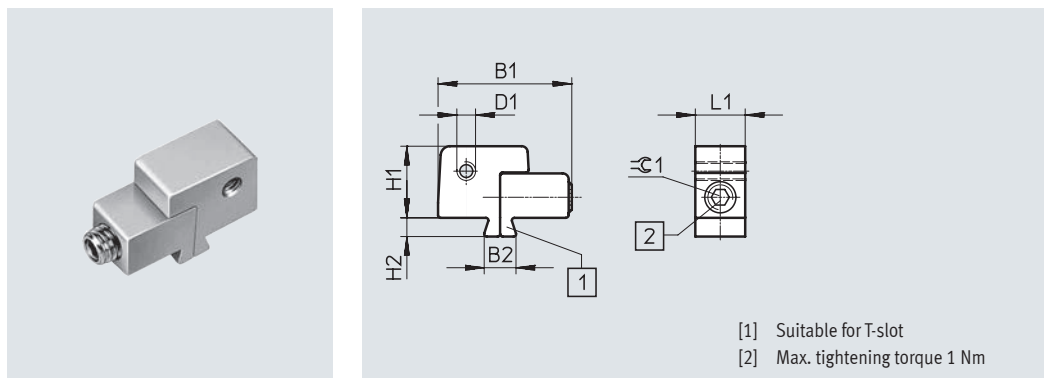
1) Corrosion resistance class CRC 4 to Festo standard FN 940070

Particularly high corrosion stress. Outdoor exposure under extreme corrosive conditions. Parts exposed to aggressive media, e.g. in the chemical or food industries. Such applications may need to be safeguarded by means of special testing (→ also FN 940082), using appropriate media.

Mounting kit SMB-8E

Material:
 Anodised aluminium, stainless steel

Note on materials: RoHS-compliant



Ordering data											
For piston \varnothing	B1	B2	D1	H1	H2	L1	$\approx \varnothing 1$	Part no.	Type		
10 ... 125	21.5	5.1	M3	11.5	3	8	2.5	178230	SMB-8E		

Accessories

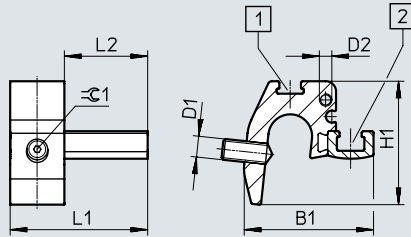
Mounting SMBZ-8-...

Design: For tie rods
 Mounting position: Any
 Type of mounting: Clamped
 Tightening torque: ≤ 0.5 Nm
 Ambient temperature:
 -40 ... +120°C
 PWIS conformity:
 VDMA24364-B2-L

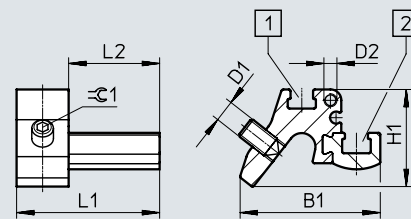
Material:
 Housing: Anodised wrought aluminium alloy
 Screws: High-alloy stainless steel
 Free of copper and PTFE
 RoHS-compliant



SMBZ-8-32/100



SMBZ-8-125/320



- [1] Slot for inscription label
- [2] Slot for proximity switch

Dimensions and ordering data

For piston \varnothing	B1	D1	D2	H1	L1	L2	$\varnothing 1$	Weight [g]	CRC ¹⁾	Part no.	Type
32 ... 100	31	M5	M3	30	33	20	1.5	14	2	537806	SMBZ-8-32/100
125 ... 320	32.3			22			2.5			537808	SMBZ-8-125/320

1) Corrosion resistance class CRC 2 to Festo standard FN 940070

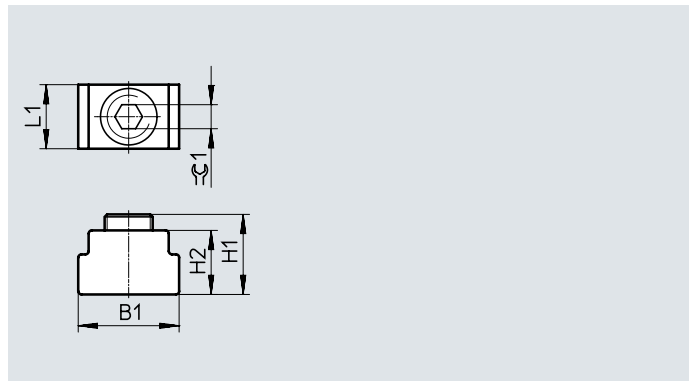
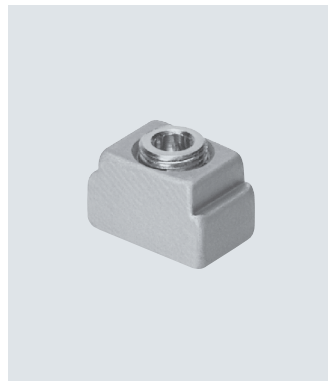
Moderate corrosion stress. Indoor application where condensation is allowed to occur. External visible parts with primarily decorative surface requirements which are in direct contact with a normal industrial environment.

Positioning element SMM

Inserted in the slot lengthwise

Ambient temperature: -40 ... +120°C

Materials:
 Housing: Anodised wrought aluminium alloy
 Screws: High-alloy stainless steel
 Note on materials: RoHS-compliant



Dimensions and ordering data







B1	H1	H2	L1	$\varnothing 1$	CRC ¹⁾	Part no.	Type	PU ²⁾
6.3	5.0	4.0	4.0	1.5	3	547941	SMM-8	10


1) Corrosion resistance class CRC 3 to Festo standard FN 940070

High corrosion stress. Outdoor exposure under moderate corrosive conditions. Externally visible parts with primarily functional surface requirements which are in direct contact with a normal industrial environment.

2) Packaging unit


Accessories

Ordering data – Connecting cables		Number of wires	Cable length [m]	Part no.	Type	Data sheets → Internet: nebu/sim
Socket M8x1, 3-pin						
	For SMT/SME-8... and SMTO/SMTSO/SMEO-8E	3	2.5	★ 541333	NEBU-M8G3-K-2.5-LE3	
			5	★ 541334	NEBU-M8G3-K-5-LE3	
	For SMT/SME-8... and SMTO/SMTSO/SMEO-8E	3	2.5	★ 541338	NEBU-M8W3-K-2.5-LE3	
			5	★ 541341	NEBU-M8W3-K-5-LE3	
Socket M12x1, 5-pin						
	For SMT/SME-8M and SMTO/SMTSO/SMEO-8E	3	2.5	★ 541363	NEBU-M12G5-K-2.5-LE3	
			5	★ 541364	NEBU-M12G5-K-5-LE3	
	For SMT/SME-8M and SMTO/SMTSO/SMEO-8E	3	2.5	541367	NEBU-M12W5-K-2.5-LE3	
			5	541370	NEBU-M12W5-K-5-LE3	
Socket M12x1, resistant to welding spatter						
	For SDBT and SMTSO	3	3	30450	SIM-M12-RS-3GD-3	
	For SDBT and SMTSO	3	3	30451	SIM-M12-RS-3WD-3	

Ordering data – Safety clip for ATEX zone		Size	Description	Part no.	Type	PU ¹⁾
	M8	<ul style="list-style-type: none"> Protects "equipment that is not intrinsically safe" in zones 2 and 22 against simple disconnection ATEX category: gas: II 3G / dust: II 3D 	548067	NEAU-M8-GD	1	
	M12		548068	NEAU-M12-GD	1	

1) Packaging unit

Ordering data – Mounting components		Description	Part no.	Type
		For fixing connecting cables in place	534254	SMBK-8

Ordering data – Sensor tester		Description	Part no.	Type
		<ul style="list-style-type: none"> Testing the functionality of proximity switches using the integrated voltage supply Adjusting proximity switches on the cylinder 	158481	SM-TEST-1

Ordering data – Inscription labels		Size	Part no.	Type	PU ¹⁾
		23x4 mm	541598	ASLR-L-423	34

1) Packaging unit

Festo - Your Partner in Automation



1 Festo Inc.
5300 Explorer Drive
Mississauga, ON L4W 5G4
Canada

Festo Customer Interaction Center
Tel: 1 877 463 3786
Fax: 1 877 393 3786
Email: customer.service.ca@festo.com

2 Festo Pneumatic
Av. Ceylán 3,
Col. Tequesquináhuac
54020 Tlalnepantla,
Estado de México

Multinational Contact Center
01 800 337 8669
ventas.mexico@festo.com

3 Festo Corporation
1377 Motor Parkway
Suite 310
Islandia, NY 11749

Festo Customer Interaction Center
1 800 993 3786
1 800 963 3786
customer.service.us@festo.com

4 Regional Service Center
7777 Columbia Road
Mason, OH 45040

Connect with us



www.festo.com/socialmedia



www.festo.com

Subject to change