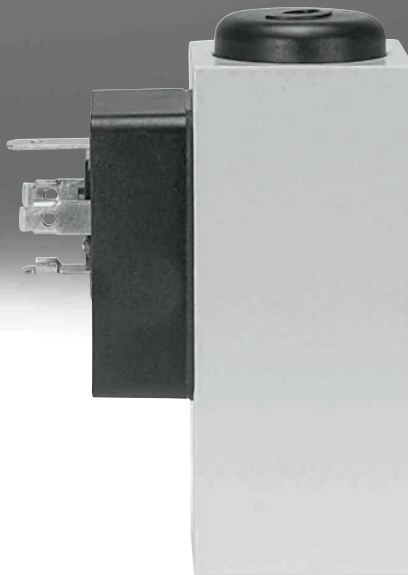
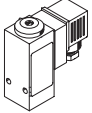
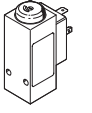
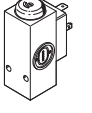
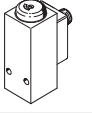
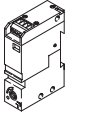
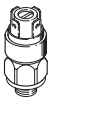
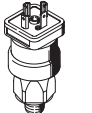
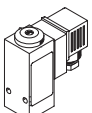
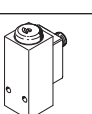
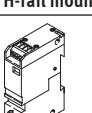


Pressure and vacuum switches PEV/VPEV

FESTO



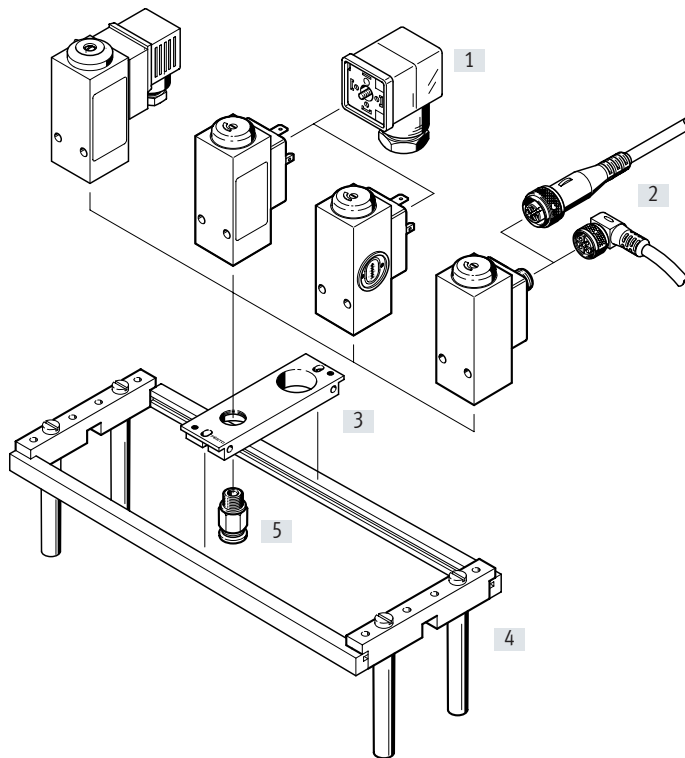
Product range overview

Function	Design	Type	Operating pressure [bar]	Pneumatic connection	Electrical connection	Max. switching output voltage		→ Page
						[V DC]	[V AC]	
Mechanical pressure switches	Mounting via retaining screws							
		PEV	1 ... 12	G1/4	Plug, type A ¹⁾	125	250	3
		PEV	1 ... 12	G1/4	Plug, type A	125	250	3
		PEV Visual scale for pressure adjustment	1 ... 12	G1/4	Plug, type A	125	250	3
		PEV	1 ... 12	G1/4	Plug M12x1, 4-pin	48	48	3
	H-rail mounting							
		PEV-W	0 ... 8	M5	Plug M8x1, 4-pin	30	–	11
		PEV-W	0 ... 8	M5	Screw terminal, 4-pin	30	–	11
	Mounting via screw-in thread							
		PEV-SW27	1 ... 10	G1/4	For plug socket PEV-1/4-A-WD	250	250	16
	PEV-SW27	1 ... 10	G1/4	For plug socket PEV-1/4-WD-LED-...	250	250	16	
Mechanical vacuum switches	Mounting via retaining screws							
		VPEV	-1 ... +1.6	G1/8	Plug, type A ¹⁾	125	250	3
		VPEV	-1 ... +1.6	G1/8	Plug M12x1, 4-pin	48	48	3
	H-rail mounting							
		VPEV-W	-1 ... 0	M5	Plug M8x1, 4-pin	30	–	11
	VPEV-W	-1 ... 0	M5	Screw terminal, 4-pin	30	–	11	

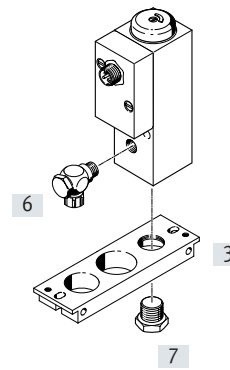
1) Plug socket included in the scope of delivery


Peripherals overview – PEV/VPEV with through-hole

PEV



VPEV



 **Note**

The vacuum switch VPEV can be used as a pressure switch by repositioning the plug screw supplied from the pressure supply port to the vacuum port.

Mounting attachments and accessories		→ Page/Internet
[1]	Angled plug socket with switching status indication PEV	20
	Plug socket without switching status indication MSSD	24
[2]	Connecting cable NEBU-M12	24
[3]	Mounting plate APL	22

Mounting attachments and accessories		→ Page/Internet
[4]	Mounting frame NRRQ	23
[5]	Push-in fitting QS	qs
[6]	Quick connector CK-1/8, LCK-1/8	ck
[7]	Plug screw VPEV-1/8 (included in the scope of delivery of VPEV)	-

Type codes – PEV/VPEV with through-hole

001	Series	
PEV	Pressure switch	
VPEV	Vacuum switch	

002	Pneumatic connection	
1/8	G1/8	
1/4	G1/4	

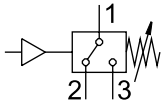
003	Generation	
	None	
B	Series B	

004	Electrical connection	
	Plug, type A, square design, to EN 175301-803	
M12	Plug M12x1, 4-pin, round design, to EN 60947-5-2	

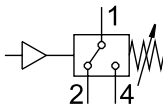
005	Setting options	
	None	
SC	Scale for pressure setting	

006	Plug socket	
	Included in the scope of delivery	
OD	Not included in the scope of delivery	

Data sheet – PEV/VPEV with through-hole

 Function
 PEV/VPEV


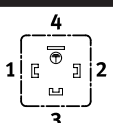
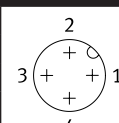
PEV/VPEV...-M12



General technical data		PEV-1/4-B(-OD)	PEV-1/4-SC-OD	PEV-1/4-B-M12	VPEV-1/8	VPEV-1/8-M12
General						
Conforms to standard		EN 60947-5-1				
Certification		-	-	c UL us - Recognized (OL)	-	c UL us - Recognized (OL)
		CCC				
CE marking (see declaration of conformity)		To EU Low Voltage Directive				
Note on materials		RoHS-compliant				
Input signal/measuring element						
Measured variable		Relative pressure				
Measurement method		Pneumatic/electric pressure transducer				
		-	With setting scale	-	-	-
Pressure measuring range	[bar]	-			-1 ... +1.6	
Operating pressure	[bar]	1 ... 12			-1 ... +1.6	
	[MPa]	0.1 ... 1.2			-0.1 ... +0.16	
Operating medium		Compressed air to ISO 8573-1:2010 [7:-:-]			Compressed air to ISO 8573-1:2010 [7:4:4]	
		Water			-	
Note on the operating/pilot medium		Lubricated operation possible (in which case lubricated operation will always be required)				
Temperature of medium	[°C]	-20 ... +80				
Ambient temperature	[°C]	-20 ... +80				

Data sheet – PEV/VPEV with through-hole

Electrical data		PEV-1/4-B(-OD)	PEV-1/4-SC-OD	PEV-1/4-B-M12	VPEV-1/8	VPEV-1/8-M12
Type						
Switching output						
Switching element function		Changeover switch				
Max. switching frequency	[Hz]	3				
Max. switching output voltage	[V AC]	250		48	250	48
	[V DC]	125		48	125	48
Max. output current	[mA]	5000		4000	5000	4000
Minimum load current	[mA]	1 (at 24 V)				
	[mA]	10 (at 10 V)				
	[mA]	100 (at 5 V)				
Electronics						
Utilisation category for inductive load		AC-14				
		DC-13				
Utilisation category for resistive load		AC-12				
		DC-12				
Electromechanics						
Electrical connection		Plug, type A, square design, to EN 175301-803		Plug M12x1, 4-pin, round design, to EN 60947-5-2	Plug, type A, square design, to EN 175301-803	Plug M12x1, 4-pin, round design, to EN 60947-5-2

Pin allocation			Pin allocation		
Plug, type A	Pin	Meaning	Plug M12x1, 4-pin	Pin	Meaning
	1	Operating voltage		1	Operating voltage
	2	N/C contact		2	N/C contact
	3	N/O contact		3	Not assigned
	4	Earthing		4	N/O contact

Mechanics		PEV-1/4-B(-OD)	PEV-1/4-SC-OD	PEV-1/4-B-M12	VPEV-1/8	VPEV-1/8-M12
Type						
Type of mounting		Via through-hole				
Mounting position		Any				
Pneumatic connection		G1/4			G1/8	
Product weight	[g]	194	144	194	240	194
Information on materials: Housing		Die-cast aluminium				
Information on materials: Switch contact		Silver				

Display/operation		PEV-1/4-B(-OD)	PEV-1/4-SC-OD	PEV-1/4-B-M12	VPEV-1/8	VPEV-1/8-M12
Type						
Switching output						
Threshold value setting range	[bar]	1 ... 12			-0.95 ... -0.2	
Threshold-value setting range after modification	[bar]	-			0.16 ... 1.6	

Operating and environmental conditions		
Storage temperature	[°C]	-20 ... +80
Degree of protection		IP65
Corrosion resistance class	CRC ¹⁾	2

1) Corrosion resistance class CRC 2 to Festo standard FN 940070

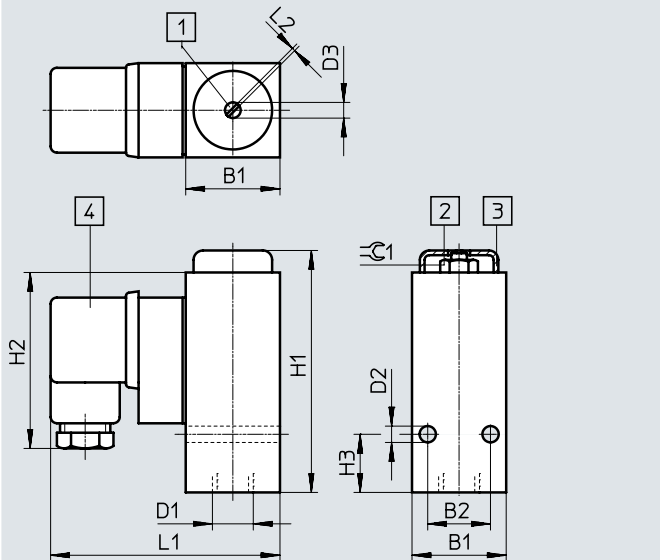
Moderate corrosion stress. Indoor applications in which condensation can occur. External visible parts with primarily decorative surface requirements which are in direct contact with a normal industrial environment.

Data sheet – PEV/VPEV with through-hole

Dimensions – Pressure switch

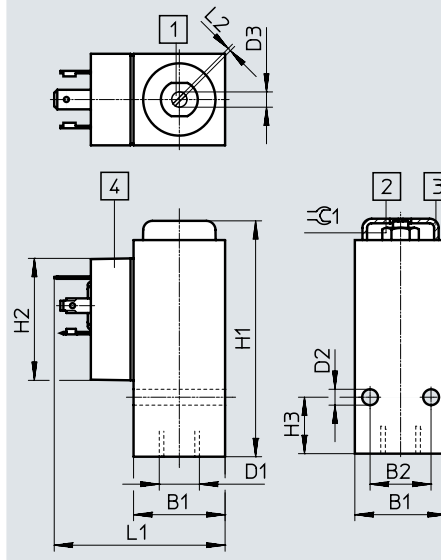
Download CAD data → www.festo.com

PEV-1/4-B



- [1] Switching point adjusting screw
- [2] Hex nut for adjusting the hysteresis (under protective cap)
- [3] Protective cap
- [4] Push-in connector M16x1.5 to EN 175301-803-A, choice of cable outlet by turning socket insert 4x90°

PEV-1/4-B-OD



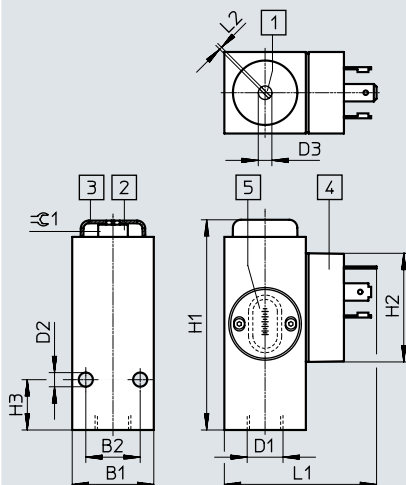
- [1] Switching point adjusting screw
- [2] Hex nut for adjusting the hysteresis (under protective cap)
- [3] Protective cap
- [4] Push-in connector suitable for plug socket M16x1.5 to EN 175301-803-A

Type	B1	B2	D1	D2	D3	H1	H2	H3	L1	L2	⊖1
	±0.2	±0.1		∅ ±0.2		±0.6		±0.5		±0.2	
PEV-1/4-B	30	20	G1/4	5.2	min. 5	77.3	56	18.5	78	1	11
PEV-1/4-B-OD							40		56		

Dimensions – Pressure switch

Download CAD data → www.festo.com

PEV-1/4-SC-OD



- [1] Switching point adjusting screw
- [2] Hex nut for adjusting the hysteresis (under protective cap)
- [3] Protective cap
- [4] Push-in connector suitable for plug socket M16x1.5 to EN 175301-803-A
- [5] Scale for reading off the set switching pressure

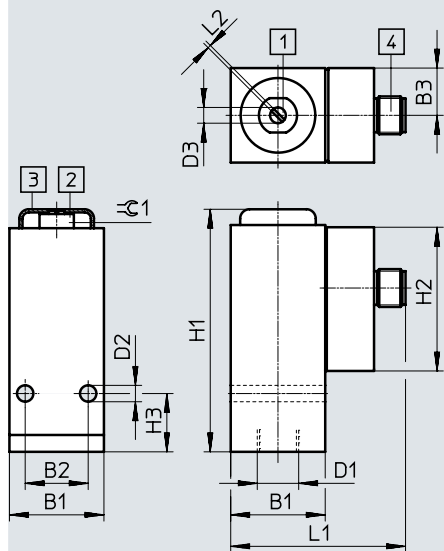
Type	B1	B2	D1	D2	D3	H1	H2	H3	L1	L2	⊖1
	±0.2	±0.1		∅ ±0.2		±0.6		±0.5		±0.2	
PEV-1/4-SC-OD	30	20	G1/4	5.2	min. 5	77.3	40	18.5	56	1	11

Data sheet – PEV/VPEV with through-hole

Dimensions – Pressure switch

Download CAD data → www.festo.com

PEV-1/4-B-M12



- [1] Switching point adjusting screw
- [2] Hex nut for adjusting the hysteresis (under protective cap)
- [3] Protective cap
- [4] Connection pattern for plug M12x1 to EN 60947-5-2

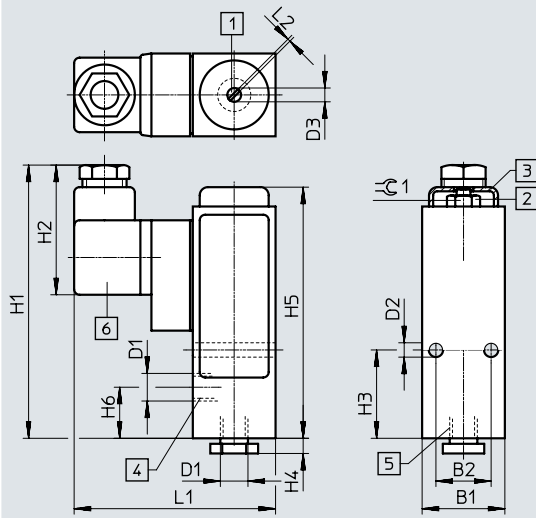
Type	B1	B2	B3	D1	D2 ∅	D3	H1	H2	H3	L1	L2	⌀C1
PEV-1/4-B-M12	±0.2	±0.1	12.5	G1/4	5.2 ±0.2	min. 5	77.3	40	±0.5	55.4	1	11

Data sheet – PEV/VPEV with through-hole

Dimensions – Vacuum switch

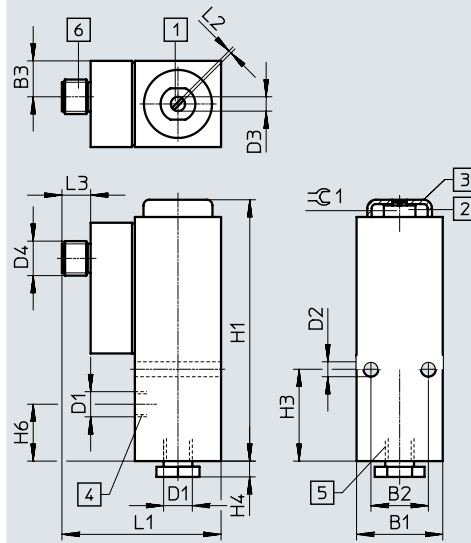
Download CAD data → www.festo.com

VPEV-1/8



- [1] Switching point adjusting screw
- [2] Hex nut for adjusting the hysteresis (under protective cap)
- [3] Protective cap
- [4] Vacuum port
- [5] Supply port with plug screw
- [6] Push-in connector M16x1.5 to EN 175301-803-A, choice of cable outlet by turning socket insert 4x90°

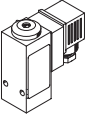
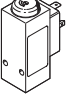
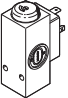
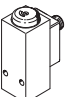
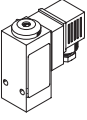
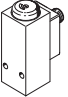
VPEV-1/8-M12



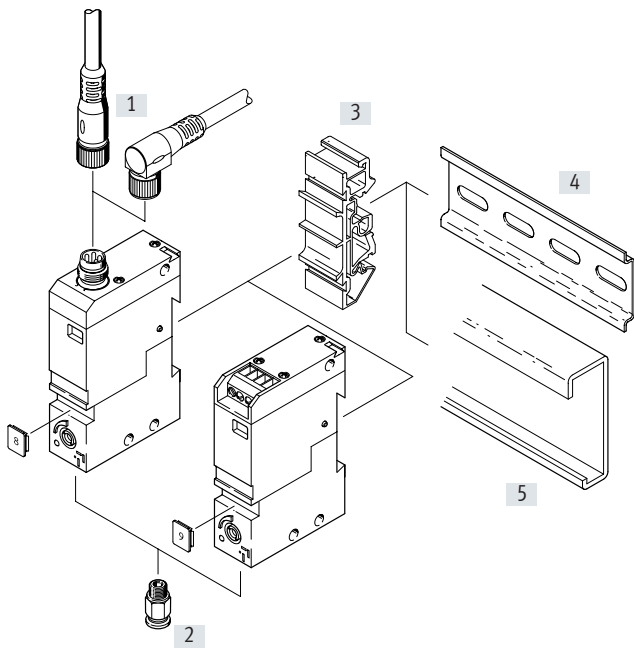
- [1] Switching point adjusting screw
- [2] Hex nut for adjusting the hysteresis (under protective cap)
- [3] Protective cap
- [4] Vacuum port
- [5] Supply port with plug screw
- [6] Connection pattern for plug to EN60947-5-2

Type	B1	B2	B3	D1	D2	D3	D4	H1	H2	H3	H4	H5	H6	L1	L2	L3	⊕1
	±0.2	±0.1	-0.1		∅ ±0.2					±0.1					±0.2		
VPEV-1/8	30	20	-	G1/8	5.2	min. 5	-	98	48	32	5.5	91	18.5	78	1	-	11
VPEV-1/8-M12			12.5				M12x1	91	-			-		55.4		10	

Data sheet – PEV/VPEV with through-hole

Ordering data				
	Pneumatic connection	Electrical connection	Part no.	Type
Pressure switch				
	G1/4	Plug, type A, square design, to EN 175301-803 Plug socket included in the scope of delivery	10773	PEV-1/4-B
	G1/4	Plug, type A, square design, to EN 175301-803	175250	PEV-1/4-B-OD
	G1/4	Plug, type A, square design, to EN 175301-803	161760	PEV-1/4-SC-OD
	G1/4	Plug M12x1, 4-pin, round design, to EN 60947-5-2	192488	PEV-1/4-B-M12
Vacuum switch				
	G1/8	Plug, type A, square design, to EN 175301-803 Plug socket included in the scope of delivery	150261	VPEV-1/8
	G1/8	Plug M12x1, 4-pin, round design, to EN 60947-5-2	192489	VPEV-1/8-M12

Peripherals overview – PEV-W/VPEV-W for H-rail mounting



Mounting attachments and accessories		→ Page/Internet
[1]	Connecting cable NEBU-M8	24
[2]	Push-in fitting QSM-M5	qsm
[3]	Mounting latch PENV	24
[4]	DIN mounting rail NRH to EN 60715	24
[5]	DIN mounting rail NRC to EN 50035	24

Type codes – PEV-W/VPEV-W for H-rail mounting

001	Series	
PEV-W	Pressure switch	
VPEV-W	Vacuum switch	

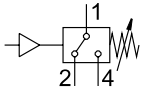
002	Electrical connection	
S	Plug M8x1, 4-pin	
KL	Screw terminal, 4-pin	

003	Switching status indication	
LED	Yellow LED	

004	Type of mounting	
GH	With H-rail or with through-hole	

Data sheet – PEV-W/VPEV-W for H-rail mounting

Function



General technical data		PEV-W	VPEV-W
Type		PEV-W	VPEV-W
General			
Certification		RCM	
CE marking (see declaration of conformity)		To EU EMC Directive ¹⁾	
Note on materials		Contains paint-wetting impairment substances RoHS-compliant	
Input signal/measuring element			
Measured variable		Relative pressure	
Measurement method		Pneumatic/electric pressure transducer	
Pressure measuring range [bar]		2 ... 8	-0.8 ... -0.2
Operating pressure [bar]		0 ... 8	-1 ... 0
Operating medium		Compressed air to ISO 8573-1:2010 [7:-:-]	
Note on the operating/pilot medium		Lubricated operation possible (in which case lubricated operation will always be required)	
Temperature of medium [°C]		0 ... +60	
Ambient temperature [°C]		0 ... +60	

1) For information about the area of use, see the EC declaration of conformity at: www.festo.com/catalogue/PEV-W/VPEV-W → Support/Downloads.
If the devices are subject to usage restrictions in residential, commercial or light-industrial environments, further measures for the reduction of the emitted interference may be necessary.
A condition for this is signal line length < 30 m.

Electrical data		PEV-W-S	PEV-W-KL	VPEV-W-S	VPEV-W-KL
Type		PEV-W-S	PEV-W-KL	VPEV-W-S	VPEV-W-KL
Switching output					
Switching element function		Changeover switch			
Hysteresis [bar]		0.5 ... 2		0.08 ... 0.25	
Max. switching frequency [Hz]		3			
Max. output current [mA]		2500			
Operating voltage range [V DC]		10 ... 30			
Electromechanics					
Electrical connection		Plug M8x1, 4-pin	Screw terminal, 4-pin	Plug M8x1, 4-pin	Screw terminal, 4-pin

Pin allocation			Pin allocation		
Plug M8x1, 4-pin	Pin	Meaning	Screw terminal, 4-pin	Pin	Meaning
	1	+ (-)		1	+ (-)
	2	N/C contact		2	N/C contact
	3	- (+)		3	- (+)
	4	N/O contact		4	N/O contact

Data sheet – PEV-W/VPEV-W for H-rail mounting

Mechanics	
Type of mounting	Via through-hole With H-rail
Mounting position	Any
Pneumatic connection	M5
Product weight [g]	56
Information on materials: Housing	PA, PET, POM

Display/operation	
Type	PEV-W VPEV-W
Switching output	
Switching status indication	Yellow LED
Threshold value setting range [bar]	1.5 ... 8 -0.8 ... -0.2

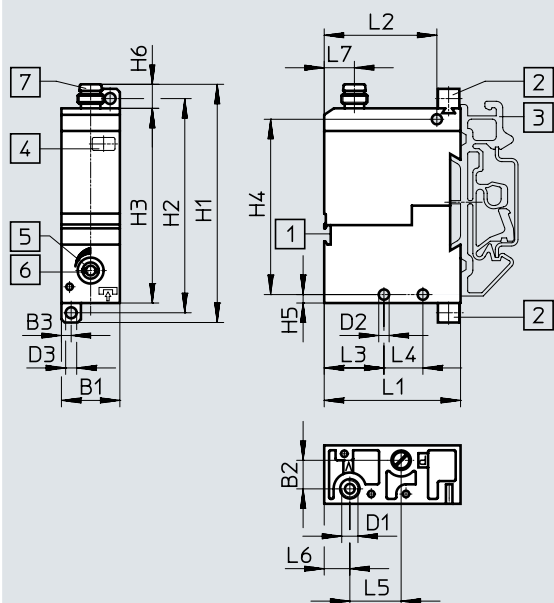
Operating and environmental conditions				
Type	PEV-W-S	PEV-W-KL	VPEV-W-S	VPEV-W-KL
Storage temperature [°C]	-20 ... +80			
Degree of protection	IP65	IP20	IP65	IP20
Corrosion resistance class CRC ¹⁾	2			

1) Corrosion resistance class CRC 2 to Festo standard FN 940070
Moderate corrosion stress. Indoor applications in which condensation can occur. External visible parts with primarily decorative surface requirements which are in direct contact with a normal industrial environment.

Dimensions

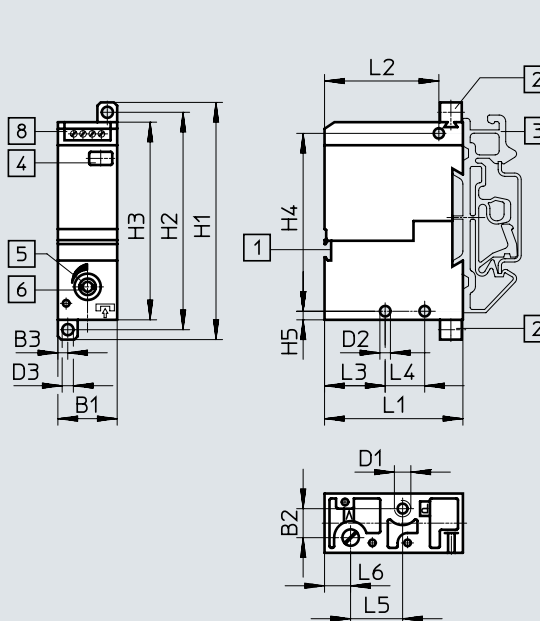
Download CAD data → www.festo.com

PEV-W-S, VPEV-W-S



- [1] Slot for inscription label
- [2] Foot mounting (included in the scope of delivery)
- [3] Clamping foot for G/H rail
- [4] Switching status indication, yellow
- [5] Switching point adjusting screw
- [6] Manual override
- [7] Integral plug, fits plug sockets NEBU

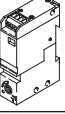
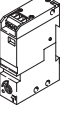
PEV-W-KL, VPEV-W-KL



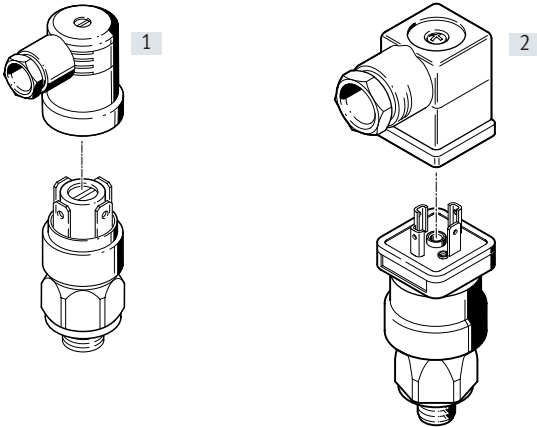
- [1] Slot for inscription label
- [2] Foot mounting (included in the scope of delivery)
- [3] Clamping foot for G/H rail
- [4] Switching status indication, yellow
- [5] Switching point adjusting screw
- [6] Manual override
- [7] Integral plug, fits plug sockets NEBU
- [8] Cable terminals

Type	B1	B2	B3	D1	D2 ∅	D3	H1	H2	H3	H4	H5	H6	L1	L2	L3	L4	L5	L6	L7
PEV-W-S, VPEV-W-S	18	8.8	3	M5	3.2	3.4	73.4	66	60	54	2.6	7.4	42	34.7	18.4	12	15.8	7.9	9.3
PEV-W-KL, VPEV-W-KL							72					-							-

Data sheet – PEV-W/VPEV-W for H-rail mounting

Ordering data				
	Pneumatic connection	Electrical connection	Part no.	Type
Pressure switch				
	M5	Plug M8x1, 4-pin	152616	PEV-W-S-LED-GH
		Screw terminal, 4-pin	152618	PEV-W-KL-LED-GH
Vacuum switch				
	M5	Plug M8x1, 4-pin	152617	VPEV-W-S-LED-GH
		Screw terminal, 4-pin	152619	VPEV-W-KL-LED-GH

Peripherals overview – Pressure switches PEV-SW27, screw-in



Mounting attachments and accessories		→ Page
[1]	Angled plug socket PEV-1/4-A-WD	21
[2]	Angled plug socket PEV-1/4-WD-LED-...	20

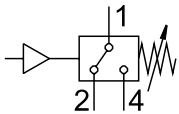
Type codes – Pressure switches PEV-SW27, screw-in

001	Series
PEV	Pressure switch
002	Pneumatic connection
1/4	G1/4
003	Generation
A	Series A

004	Width across flats
SW27	27 mm
005	Electrical connection
	For angled plug socket PEV-1/4-A-WD
B-OD	For angled plug socket PEV-1/4-WD-LED-...

Data sheet – Pressure switches PEV-SW27, screw-in

Function



General technical data

General		
CE marking (see declaration of conformity)	To EU Low Voltage Directive	
Input signal/measuring element		
Measured variable	Relative pressure	
Measurement method	Pneumatic/electric pressure transducer	
Pressure measuring range	[bar]	1 ... 10
Operating pressure	[bar]	1 ... 10
Operating medium	Compressed air to ISO 8573-1:2010 [7:-:-]	
Note on the operating/pilot medium	Lubricated operation possible (in which case lubricated operation will always be required)	
Temperature of medium	[°C]	-20 ... +80
Ambient temperature	[°C]	-20 ... +100

Electrical data

Switching output		
Switching element function	Changeover switch	
Max. switching frequency	[Hz]	3
Max. switching output voltage	[V AC]	250
	[V DC]	250
Max. output current	[mA]	4000
Operating voltage range	[V DC]	12 ... 250

Electromechanics

Electrical connection	Plug, 4-pin
-----------------------	-------------

Pin allocation

PEV-1/4-A-SW27	Pin	Meaning
	1	Switchable voltage
	2	N/C contact
	4	N/O contact

PEV-1/4-A-SW27-B-OD	Pin	Meaning
	1	Switchable voltage
	2	N/C contact
	4	N/O contact

Mechanics

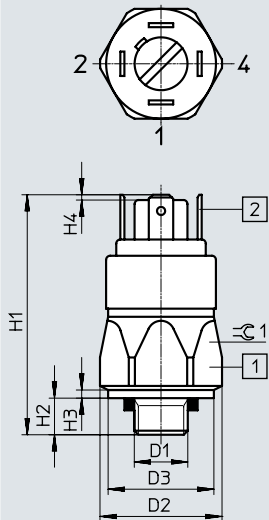
Type of mounting	Screw-in	
Mounting position	Any	
Pneumatic connection	G1/4	
Product weight	[g]	90
Information on materials: Housing	Galvanised steel	

Data sheet – Pressure switches PEV-SW27, screw-in

Display/operation		
Switching output		
Threshold value setting range	[bar]	1 ... 10
Operating and environmental conditions		
Degree of protection	IP65	

Dimensions

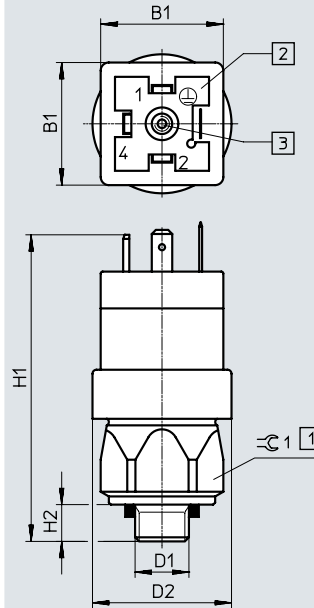
PEV-1/4-A-SW27



- [1] Max. tightening torque 50 Nm
- [2] Integral plug to DIN 46 244

Download CAD data → www.festo.com

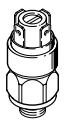

PEV-1/4-A-SW27-B-OD



- [1] Max. tightening torque 50 Nm
- [2] Integral plug to EN 175201-803
- [3] Switching-point adjustment

Type	B1	D1	D2	D3	H1	H2	H3	H4	≙C1
PEV-1/4-A-SW27	–	G1/4	30	26	58	8	2	1.3	27
PEV-1/4-A-SW27-B-OD	30		34	–	74	–0.2	–	–	

Ordering data

	Pneumatic connection	Electrical connection	Part no.	Type
Pressure switch				
	G1/4	For angled plug socket PEV-1/4-A-WD	159259	PEV-1/4-A-SW27
	G1/4	For angled plug socket PEV-1/4-WD-LED-...	175252	PEV-1/4-A-SW27-B-OD

Accessories

Angled plug socket

PEV-1/4-WD-LED- ...

For pressure switches PEV-1/4-B-OD,
PEV-1/4-SC-OD and
PEV-1/4-A-SW27-B-OD

With integrated LED for switching
status indication



General technical data		
Type	PEV-1/4-WD-LED-24	PEV-1/4-WD-LED-230
CE marking (see declaration of conformity)	To EU EMC Directive	To EU Low Voltage Directive
Certification	RCM	
Note on materials	RoHS-compliant	

Electronics		
Type	PEV-1/4-WD-LED-24	PEV-1/4-WD-LED-230
Operating voltage range	[V AC] – [V DC] 15 ... 30	0 ... 230 0 ... 180

Electromechanics	
Electrical connection	Angled socket, 4-pin
Current rating [A]	8

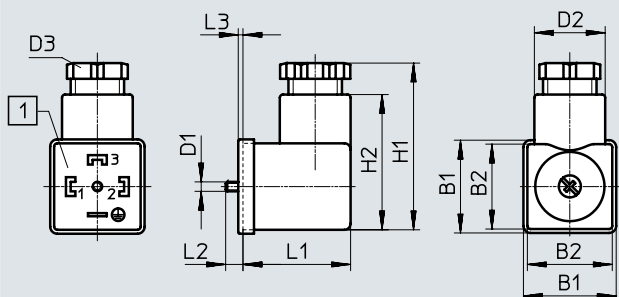
Mechanics	
Type of mounting	Via through-hole
Information on materials: Housing	PA

Display/operation	
Ready status indication	Green LED
Switching status indication	Yellow LED

Operating and environmental conditions	
Ambient temperature [°C]	–40 ... +90
Degree of protection	IP65

Dimensions

Download CAD data → www.festo.com



[1] Inserts can be rotated 90°

Dimensions and ordering data													
Type	B1	B2	D1	D2	D3	H1	H2	L1	L2	L3	Weight [g]	Part no.	Type
PEV-...-24	30	27.5	M3	22.5	Pg11	53	43	34.2	5.5	1.5	34	164274	PEV-1/4-WD-LED-24
PEV-...-230											34	164275	PEV-1/4-WD-LED-230

Accessories

Angled plug socket PEV-1/4-A-WD

For pressure switch

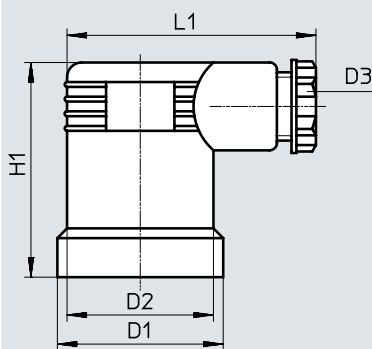
PEV-1/4-A-SW27



General technical data	
Note on materials	RoHS-compliant
Electromechanics	
Electrical connection	Angled socket, 4-pin
Mechanics	
Type of mounting	Via through-hole
Information on materials: Housing	PA
Operating and environmental conditions	
Ambient temperature	[°C] -40 ... +90
Degree of protection	IP65

Dimensions

Download CAD data → www.festo.com

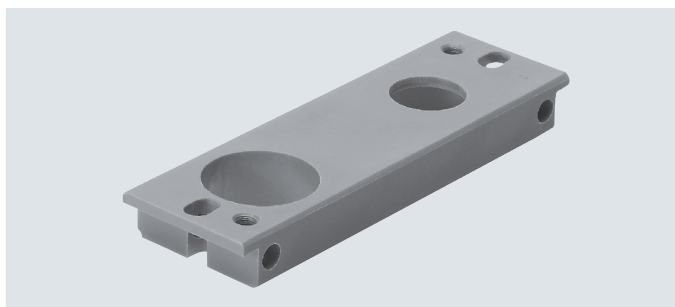


Dimensions and ordering data							
D1	D2	D3	H1	L1	Weight	Part no.	Type
∅	∅				[g]		
34	30	Pg9	44	51	55	161209	PEV-1/4-A-WD

Accessories

Mounting plate APL

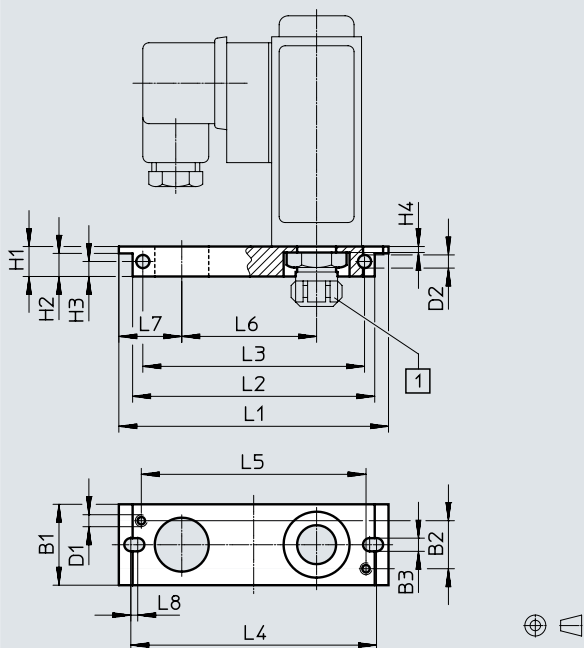
For pressure switch PEV and vacuum switch VPEV



Dimensions

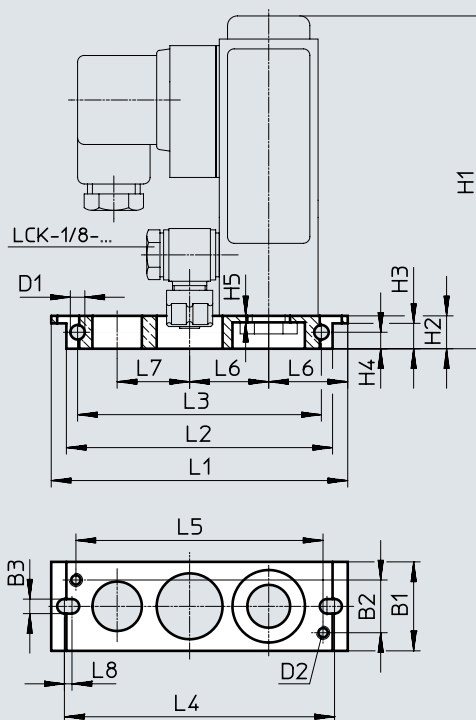
Download CAD data → www.festo.com

For pressure switch PEV



[1] CK-1/4-...

For vacuum switch VPEV



Dimensions and ordering data

	B1	B2	B3	D1	D2	H1	H2	H3	H4	H5	L1
For PEV	27	16	4.4	M4	4.4	10	7.7	5	2	-	88.5
For VPEV				4.4	M4	101	10	7.7	5	2	

	L2	L3	L4	L5	L6	L7	L8	Weight [g]	Part no.	Type
For PEV	80.8	74	82	75	45	21	2.3	18	9349	APL-2N-PEV
For VPEV			81		24	22		18	150218	APL-2N-VPEV

Accessories

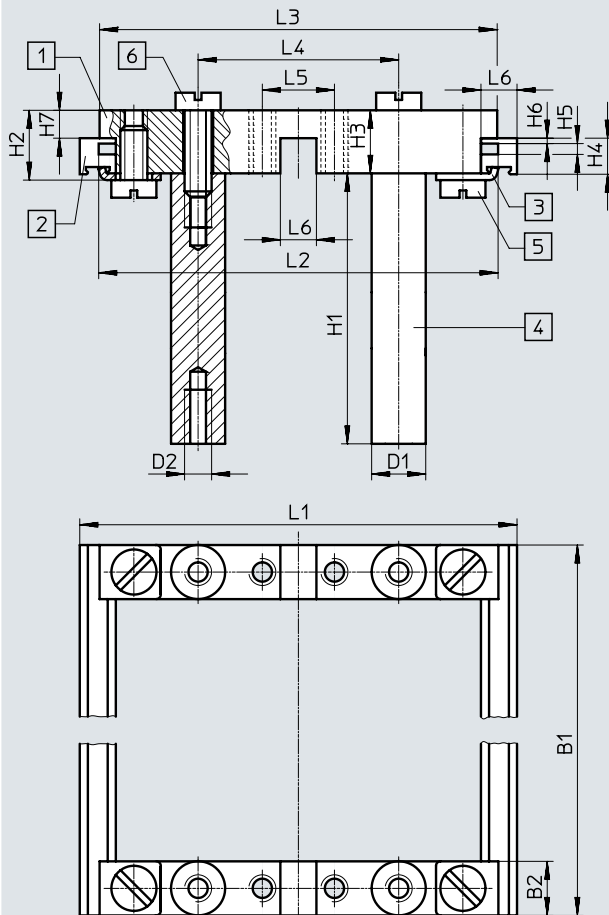
Mounting frame NRRQ
Mounting bracket NRW

Scope of delivery:
 2 x connecting component NRV-2N
 2 x profile strip NRQ-8-480
 4 x mounting bracket NRW-12/3
 4 x bolt NRB-12/60
 4 x socket head screw
 DIN 84-M6X18-4.8
 4 x socket head screw
 DIN 84-M6X12-4.8
 4 x mounting bracket NRW-9/1.5-B
 4 x socket head screw
 DIN 84-M4X10-4.8



Dimensions – Mounting frame NRRQ

Download CAD data → www.festo.com




- [1] Connecting component NRV-2N
- [2] Profile strip NRQ-8-480
- [3] Mounting bracket NRW-12/3
- [4] Bolt NRB-12/60
- [5] Socket head screw
DIN 84-M6X12-4.8
- [6] Socket head screw
DIN 84-M6X18-4.8


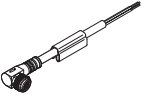
B1	B2	D1 ∅	D2	H1	H2	H3	H4	H5	H6	H7	L1	L2	L3	L4	L5	L6
480	12	12	M6	60	15.5	14	8	2.4	1.2	6.2	97	88.6	88.2	44.5	16	8


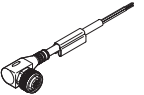
Dimensions and ordering data

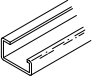
	Part no.	Type
Mounting frame complete for 16 elements	9365	NRRQ-2N
Mounting bracket for mounting sub-bases to the frame	11571	NRW-9/1.5-B

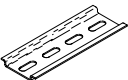
Accessories

Ordering data – Plug socket MSSD				Data sheets → Internet: mssd
	Electrical connection	Cable connector	Part no.	Type
	Angled socket, 3-pin, type A	Pg9	171157	MSSD-C-4P

Ordering data – Connecting cable NEBU-M8				Data sheets → Internet: nebu	
	Electrical connection	Number of wires	Cable length [m]	Part no.	Type
	M8x1, straight socket	4	2.5	541342	NEBU-M8G4-K-2.5-LE4
			5	541343	NEBU-M8G4-K-5-LE4
	M8x1, angled socket	4	2.5	541344	NEBU-M8W4-K-2.5-LE4
			5	541345	NEBU-M8W4-K-5-LE4

Ordering data – Connecting cable NEBU-M12				Data sheets → Internet: nebu	
	Electrical connection	Number of wires	Cable length [m]	Part no.	Type
	M12x1, straight socket	4	2.5	550326	NEBU-M12G5-K-2.5-LE4
			5	541328	NEBU-M12G5-K-5-LE4
	M12x1, angled socket	4	2.5	550325	NEBU-M12W5-K-2.5-LE4
			5	541329	NEBU-M12W5-K-5-LE4

Ordering data – DIN mounting rail NRC				Data sheets → Internet: nrc
	Description	Length	Part no.	Type
	G-rail to EN 50035	2 m	6756	NRC-32-2000

Ordering data – DIN mounting rail NRH				Data sheets → Internet: nrh
	Description	Length	Part no.	Type
	H-rail to EN 60715	2 m	35430	NRH-35-2000

Ordering data – Mounting latch PENV				Data sheets → Internet: penv
	Description	Part no.	Type	
	For mounting on DIN mounting rail	164597	PENV-BGH	

Festo - Your Partner in Automation



1 Festo Inc.
5300 Explorer Drive
Mississauga, ON L4W 5G4
Canada

Festo Customer Interaction Center
Tel: 1 877 463 3786
Fax: 1 877 393 3786
Email: customer.service.ca@festo.com



2 Festo Pneumatic
Av. Ceylán 3,
Col. Tequesquináhuac
54020 Tlalnepantla,
Estado de México

Multinational Contact Center
01 800 337 8669
ventas.mexico@festo.com



3 Festo Corporation
1377 Motor Parkway
Suite 310
Islandia, NY 11749

Festo Customer Interaction Center
1 800 993 3786
1 800 963 3786
customer.service.us@festo.com



4 Regional Service Center
7777 Columbia Road
Mason, OH 45040

Connect with us



www.festo.com/socialmedia



www.festo.com

Subject to change