

### Solenoid Coil (F-Coil)

With Standard Socket

DC:  
Type MSFG-...

AC:  
Type MSFW-...

with Socket per DIN 43650 Design A

DC:  
Type MSFG-...-DS

AC:  
Type MSFW-...-DS

These solenoids can be mounted on the following solenoid-actuated valves:

Type MFH, MOFH, JMFH  
Type CM-...-FH  
CJM-...-FH

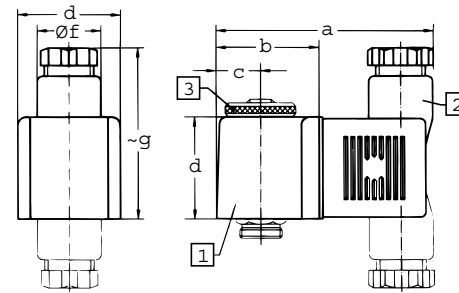
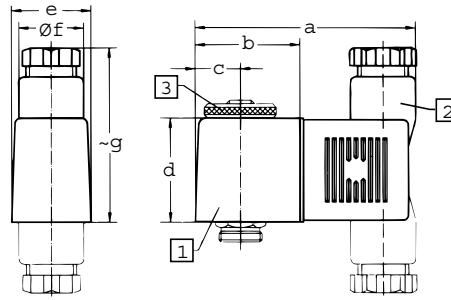
These valve actuator solenoids are characterized by their low power requirement and minimal heating.

AC Coils are suitable for both 50/60 Hz frequencies.

These solenoids comply with VDE Specification 0580, insulation Class F.

Solenoids may be changed without disturbing the pneumatic circuit.

Test certification: VDE



- 1 Solenoid can be rotated on plunger tube
- 2 Solenoid can be turned 180°
- 3 Torque for mounting nuts:  
8.85 to 13.28 in-lb/100 to 150 Ncm

#### Dimensions

a 2.40 in / 61 mm	e 2.40 in / 22 mm
b 1.16 in / 29.5 mm	f 0.71 in / 18 mm
c 0.49 in / 12.5 mm	g 1.89 in / 48 mm
d 1.14 in / 29 mm	

Order Number					
Direct Current			Alternating Current		
Part No.	Type	Voltage	Part No.	Type	Voltage
4526	MSFG-12	12V	4534	50/60 Hz MSFW-24-50/60	24V
4527	MSFG-24/42-50/60	24V	4527	MSFG-24/42-50/60	42V
13264	MSFG-24/42-50/60-DS	24V	6720	MSFW-110-50/60	110V
			4540	MSFW-230-50/60	230V
			13264	MSFG-24/42-50/60-DS	42V
			13265	MSFW-110-50/60-DS	110/120V
			13266	MSFW-230-50/60-DS	220/230V

Order Number (see table above)	Part No./Type	Type MSFG + Voltage	Type MSFW + Voltage
Design		DC solenoid	AC solenoid
Voltage	Standard	12, 24V	24, 42, 110, 230V/50 to 60 Hz
	Available	12 to 230V	12 to 240V/50 to 60 Hz
Permissible Voltage Variation		± 10%	± 10% at nominal frequency
Permissible Frequency Variation		–	± 5% at nominal frequency
Power Consumption For Standard Voltages (Other Voltages On Request)		4.1 W at 12V	Inrush: 7.5 VA
		4.5 W at 24V	Holding: 6 VA
Duty Cycle		100%	
Type Of Protection (DIN 4005)		IP 65	
Electrical Connection		MSFG and MSFW fits standard F-Coil, MSFG-DS and MSFW-DS conforms to DIN 43650	
Ambient Temperature		23 to 104° F / -5 to 40° C	
Medium Temperature		14 to 140° F / -10 to 60° C	
Minimum Energizing Time		10 ms	
Power Factor cos Ø		–	0.7
Weight		0.176 lb / 0.080 kg	0.154 lb / 0.070 kg

# Product Range and Company Overview

## A Complete Suite of Automation Services

Our experienced engineers provide complete support at every stage of your development process, including: conceptualization, analysis, engineering, design, assembly, documentation, validation, and production.



**Custom Automation Components**  
Complete custom engineered solutions



**Custom Control Cabinets**  
Comprehensive engineering support and on-site services



**Complete Systems**  
Shipment, stocking and storage services

## The Broadest Range of Automation Components

With a comprehensive line of more than 30,000 automation components, Festo is capable of solving the most complex automation requirements.



**Electromechanical**  
Electromechanical actuators, motors, controllers & drives



**Pneumatics**  
Pneumatic linear and rotary actuators, valves, and air supply



**PLCs and I/O Devices**  
PLC's, operator interfaces, sensors and I/O devices

## Supporting Advanced Automation... As No One Else Can!

Festo is a leading global manufacturer of pneumatic and electromechanical systems, components and controls for industrial automation, with more than 12,000 employees in 56 national headquarters serving more than 180 countries. For more than 80 years, Festo has continuously elevated the state of manufacturing with innovations and optimized motion control solutions that deliver higher performing, more profitable automated manufacturing and processing equipment. Our dedication to the advancement of automation extends beyond technology to the education and development of current and future automation and robotics designers with simulation tools, teaching programs, and on-site services.

## Quality Assurance, ISO 9001 and ISO 14001 Certifications

Festo Corporation is committed to supply all Festo products and services that will meet or exceed our customers' requirements in product quality, delivery, customer service and satisfaction.

To meet this commitment, we strive to ensure a consistent, integrated, and systematic approach to management that will meet or exceed the requirements of the ISO 9001 standard for Quality Management and the ISO 14001 standard for Environmental Management.



© Copyright 2008, Festo Corporation. While every effort is made to ensure that all dimensions and specifications are correct, Festo cannot guarantee that publications are completely free of any error, in particular typing or printing errors. Accordingly, Festo cannot be held responsible for the same. For Liability and Warranty conditions, refer to our "Terms and Conditions of Sale", available from your local Festo office. All rights reserved. No part of this publication may be reproduced, distributed, or transmitted in any form or by any means, electronic, mechanical, photocopying or otherwise, without the prior written permission of Festo. All technical data subject to change according to technical update.



Printed on recycled paper at New Horizon Graphic, Inc., FSC certified as an environmentally friendly printing plant.

# Festo North America

## United States

**Customer Resource Center**  
502 Earth City Expy., Suite 125  
Earth City, MO 63045

For ordering assistance, or to find  
your nearest Festo Distributor,

**Call:** 1.800.99.FESTO

**Fax:** 1.800.96.FESTO

**Email:** [customer.service@us.festo.com](mailto:customer.service@us.festo.com)

For technical support,

**Call:** 1.866.GO.FESTO

**Fax:** 1.800.96.FESTO

**Email:** [product.support@us.festo.com](mailto:product.support@us.festo.com)

### Headquarters

Festo Corporation  
395 Moreland Road  
P.O. Box 18023  
Hauppauge, NY 11788  
[www.festo.com/us](http://www.festo.com/us)

---

### Sales Offices

#### Appleton

N. 922 Tower View Drive, Suite N  
Greenville, WI 54942

#### Boston

120 Presidential Way, Suite 330  
Woburn, MA 01801

#### Chicago

1441 East Business Center Drive  
Mt. Prospect, IL 60056

#### Dallas

1825 Lakeway Drive, Suite 600  
Lewisville, TX 75057

#### Detroit - Automotive Engineering Center

2601 Cambridge Court, Suite 320  
Auburn Hills, MI 48326

#### New York

395 Moreland Road  
Hauppauge, NY 11788

#### Silicon Valley

4935 Southfront Road, Suite F  
Livermore, CA 94550

## Design and Manufacturing Operations



**East:** 395 Moreland Road, Hauppauge, NY 11788



**Central:** 1441 East Business Center Drive, Mt. Prospect, IL 60056



**West:** 4935 Southfront Road, Suite F, Livermore, CA 94550

---

## Mexico

### Headquarters

Festo Pneumatic, S.A.  
Av. Ceylán 3, Col. Tequesquahuac  
54020 Tlalnepantla, Edo. de México  
Call: 011 52 [55] 53 21 66 00  
Fax: 011 52 [55] 53 21 66 65  
Email: [festo.mexico@mx.festo.com](mailto:festo.mexico@mx.festo.com)  
[www.festo.com/mx](http://www.festo.com/mx)



---

## Canada

### Headquarters

Festo Inc.  
5300 Explorer Drive  
Mississauga, Ontario L4W 5G4  
Call: 1.905.624.9000  
Fax: 1.905.624.9001  
Email: [info.ca@ca.festo.com](mailto:info.ca@ca.festo.com)  
[www.festo.com/ca](http://www.festo.com/ca)



---

## Festo Worldwide

Argentina Australia Austria Belarus Belgium Brazil Bulgaria Canada Chile China Colombia Croatia Czech Republic Denmark  
Estonia Finland France Germany Great Britain Greece Hong Kong Hungary India Indonesia Iran Ireland Israel Italy Japan  
Latvia Lithuania Malaysia Mexico Netherlands New Zealand Norway Peru Philippines Poland Romania Russia Serbia Singapore  
Slovakia Slovenia South Africa South Korea Spain Sweden Switzerland Taiwan Thailand Turkey Ukraine United States Venezuela

[www.festo.com](http://www.festo.com)