







## Pressure gauge










**FESTO**



Product range overview

Version	Type	Pneumatic connection	Nominal size	Display range		→ Page/ Internet		
				Outer scale	Inner scale			
Pressure gauge		MA-...-EN	R1/8	40	0 ... 10 bar 0 ... 25 bar	0 ... 145 psi 0 ... 360 psi	4	
			R1/4	40	0 ... 6 bar 0 ... 10 bar 0 ... 16 bar	0 ... 87 psi 0 ... 145 psi 0 ... 232 psi		
			G1/4	40	0 ... 6 bar 0 ... 10 bar 0 ... 16 bar	0 ... 87 psi 0 ... 145 psi 0 ... 232 psi		
					50	0 ... 2.5 bar 0 ... 10 bar 0 ... 16 bar		0 ... 36 psi 0 ... 145 psi 0 ... 232 psi
						63		0 ... 1 bar
			MA	M5		15		0 ... 10 bar 0 ... 145 psi
		27			0 ... 10 bar 0 ... 1 MPa 0 ... 160 psi	- - -		
		R1/8		23	0 ... 6 bar 0 ... 10 bar 0 ... 16 bar	0 ... 87 psi 0 ... 145 psi 0 ... 232 psi		
				27	0 ... 16 bar 0 ... 25 bar	0 ... 232 psi 0 ... 360 psi		
		G1/8		40	0 ... 10 bar 0 ... 16 bar 0 ... 1 MPa 0 ... 1.6 MPa	0 ... 145 psi 0 ... 232 psi - -		
		G1/4		50	0 ... 10 bar 0 ... 16 bar 0 ... 1 MPa 0 ... 1.6 MPa	0 ... 145 psi 0 ... 232 psi - -		
			MA-63-0.25	G1/4	63	0 ... 0.25 bar	0 ... 3.6 psi	10
		MA-...-QS	QS-4, QS-6, QS-8	15	0 ... 10 bar	-	11	
		PAGN-26	G1/8	26	0 ... 10 bar 0 ... 1 MPa	0 ... 140 psi -	12	
		PAGN-63	G1/4	63	0 ... 16 bar	-	13	
		PAGN-...-P10	Cartridge 10 mm	26, 40	0 ... 10 bar 0 ... 16 bar 0 ... 145 psi 0 ... 232 psi 0 ... 1 MPa 0 ... 1.6 MPa	0 ... 145 psi 0 ... 232 psi 0 ... 10 bar 0 ... 16 bar - -	14	

## Product range overview

Version	Type	Pneumatic connection	Nominal size	Display range		→ Page/ Internet	
				Outer scale	Inner scale		
Pressure gauge	<b>With red/green range</b>						
		MA-...-RG	R1/8	40	0 ... 2.5 bar	–	16
					0 ... 10 bar	–	
					0 ... 16 bar	–	
					0 ... 1 MPa	–	
					0 ... 1.6 MPa	–	
					0 ... 145 psi	–	
					0 ... 232 psi	–	
	R1/4	50	0 ... 2.5 bar	–	18		
			0 ... 10 bar	–			
			0 ... 16 bar	–			
			0 ... 0.25 MPa	–			
			0 ... 1 MPa	–			
			0 ... 1.6 MPa	–			
			0 ... 36 psi	–			
PAGN-...-P10-RG	Cartridge 10 mm	26	0 ... 10 bar	0 ... 1 MPa	18		
			<b>For high-pressure applications</b>				
	PAGL-HP3	G1/4	63	0 ... 60 bar and 0 ... 6 MPa	0 ... 870 psi	pagl	
Precision pressure gauge		MAP	R1/8	40	0 ... 1 bar	0 ... 15 psi	19
					0 ... 4 bar	0 ... 58 psi	
					0 ... 6 bar	0 ... 87 psi	
					0 ... 16 bar	0 ... 232 psi	
		PAGN-...-1.6	R1/8	40	0 ... 10 bar	0 ... 145 psi	20
0 ... 1 MPa					0 ... 10 bar		
Flanged pressure gauge		FMA-...-EN	G1/4	40	0 ... 10 bar	0 ... 145 psi	21
				50, 63	0 ... 16 bar	0 ... 232 psi	
				0 ... 2.5 bar	0 ... 36 psi		
				0 ... 10 bar	0 ... 145 psi		
		FMA-63-0.25	G1/4	63	0 ... 0.25 bar	0 ... 3.6 psi	23
<b>Flanged precision pressure gauge</b>							
	FMAP	G1/4	63	0 ... 1 bar	0 ... 15 psi	24	
				0 ... 4 bar	0 ... 58 psi		
				0 ... 6 bar	0 ... 87 psi		
				0 ... 16 bar	0 ... 232 psi		
Pressure gauge kit	<b>For pressure booster DPA</b>						
		DPA-...-MA-SET	R1/8	27	0 ... 16 bar	0 ... 232 psi	dpa
			G1/8, G1/4	40	0 ... 25 bar	0 ... 360 psi	
				0 ... 16 bar	0 ... 232 psi		
0 ... 25 bar				0 ... 360 psi			
Vacuum gauge		VAM-...-EN	R1/8	40	-1 ... 0 bar	-30 ... 0 inHg	vam
			R1/4	63	-1 ... 0 bar	-30 ... 0 inHg	
			-1 ... 9 bar	-30 ... 0 inHg and 0 ... 130 psi			
		VAM-...-RG	R1/8	40	-1 ... 0 bar	–	fvam
			R1/4	63	-1 ... 0 bar	–	
			FVAM-...-EN	G1/8	40	-1 ... 0 bar	
G1/4	63	-1 ... 0 bar	-30 ... 0 inHg				

## Datasheet

Function



Temperature range  
-20 ... +60°C



- Suitable for service unit components of series MS4/MS6/MS9/MS12

General technical data					
Nominal size	40			50	63
Pneumatic connection	R1/8	R1/4	G1/4	G1/4	G1/4
Operating medium	Inert gases Neutral fluids				
Note on the operating/pilot medium	No oxygen No acetylene				
Design	Bourdon tube pressure gauge				
Conforms to standard	EN 837-1				
Type of mounting	In-line installation				
Connection position	Centred, rear				
Ambient temperature [°C]	-20 ... +60				
Temperature of medium [°C]	-20 ... +60 <sup>1)</sup>				
Measurement accuracy class	2.5				
Intermittent load factor	0.66				
Degree of protection	IP43				
For service unit components of series MS	MS4	MS4/MS6/MS9/MS12		-	-
Weight [g]	60	70	70	70	80

1) If the temperature of the medium used is below 0°C, ensure the operating medium is dry.

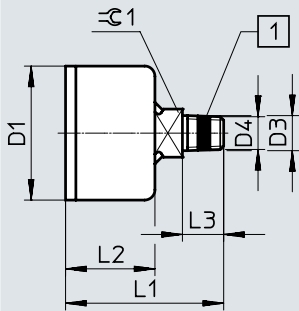
Materials					
Nominal size	40			50	63
Pneumatic connection	R1/8	R1/4	G1/4	G1/4	G1/4
Housing	MA-40-10-1/8-EN only	PBT (colour: black)	-		
	Not MA-40-10-1/8-EN	ABS (colour: black)			
Inspection window	PS				
Screwed trunnion/ Materials in contact with the media	Brass				
Note on materials	RoHS-compliant				

Datasheet

Download CAD data → [www.festo.com](http://www.festo.com)

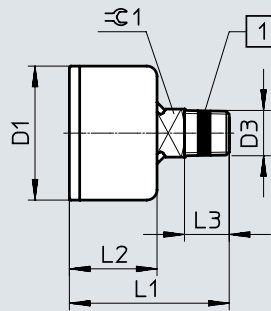
Dimensions

MA-40, R1/8



[1] PTFE sealing band for MA-40-16-1/8-EN-DPA and MA-40-25-1/8-EN

MA-40, R1/4



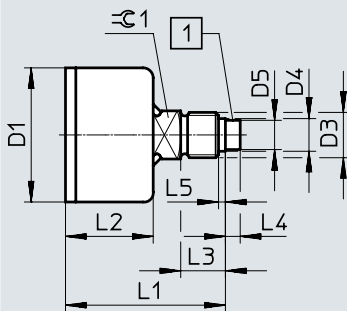
[1] PTFE sealing band

Type	D1 ∅	D3	D4 ∅	L1	L2	L3	⊖⊕ 1
MA-40-...-1/8-EN	39	R1/8	10.2	46	26	12 +0.3	14
MA-40-...-R1/4-EN		R1/4	-	46.5	25.5	13	

Download CAD data → [www.festo.com](http://www.festo.com)

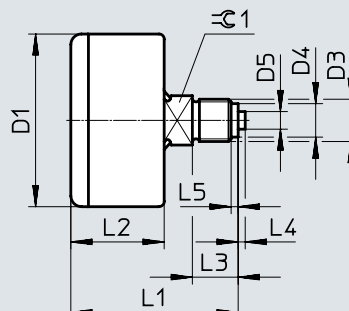
Dimensions

MA-40, G1/4



[1] With pre-fitted PTFE sealing ring

MA-50/63, G1/4



Type	D1 ∅	D3	D4 ∅	D5 ∅	L1	L2	L3	L4	L5	⊖⊕ 1
MA-40-...-G1/4-EN	39 -0.2	G1/4	9.5	8.5	46.5 ±1	25.5	13	4.3 ±0.1	2	14
MA-50-...-1/4-EN	49 ±0.5		9.5 -0.2	5	47.5 ±1	26.5		2		
MA-63-...-1/4-EN	61.5 ±0.5		9.5	5	47 ±0.5	26.5		2		


Datasheet

Ordering data								
Nominal size	Pneumatic connection	Operating pressure			Display range		Part no.	Type
		[MPa]	[bar]	[psi]	Outer scale	Inner scale		
<b>Display unit [bar]/[psi]</b>								
40	R1/8	0 ... 1	0 ... 10	0 ... 145	0 ... 10 bar	0 ... 145 psi	<b>162835</b>	<b>MA-40-10-1/8-EN</b>
		0 ... 1.6	0 ... 16	0 ... 232	0 ... 16 bar	0 ... 232 psi	<b>529046</b>	<b>MA-40-16-1/8-EN-DPA</b>
		0 ... 2.5	0 ... 25	0 ... 362.5	0 ... 25 bar	0 ... 362.5 psi	<b>526167</b>	<b>MA-40-25-1/8-EN</b>
	R1/4	0 ... 0.6	0 ... 6	0 ... 87	0 ... 6 bar	1 ... 87 psi	<b>187078</b>	<b>MA-40-6-R1/4-EN</b>
		0 ... 1	0 ... 10	0 ... 145	0 ... 10 bar	0 ... 145 psi	<b>187079</b>	<b>MA-40-10-R1/4-EN</b>
		0 ... 1.6	0 ... 16	0 ... 232	0 ... 16 bar	0 ... 232 psi	<b>187080</b>	<b>MA-40-16-R1/4-EN</b>
	G1/4	0 ... 0.6	0 ... 6	0 ... 87	0 ... 6 bar	1 ... 87 psi	<b>183899</b>	<b>MA-40-6-G1/4-EN</b>
		0 ... 1	0 ... 10	0 ... 145	0 ... 10 bar	0 ... 145 psi	<b>183900</b>	<b>MA-40-10-G1/4-EN</b>
		0 ... 1.6	0 ... 16	0 ... 232	0 ... 16 bar	0 ... 232 psi	<b>183901</b>	<b>MA-40-16-G1/4-EN</b>
		0 ... 2.5	0 ... 25	0 ... 362.5	0 ... 25 bar	0 ... 362.5 psi	<b>183902</b>	<b>MA-40-25-G1/4-EN</b>
50	G1/4	0 ... 0.25	0 ... 2.5	0 ... 36.25	0 ... 2.5 bar	0 ... 36.25 psi	<b>162837</b>	<b>MA-50-2.5-1/4-EN</b>
		0 ... 1	0 ... 10	0 ... 145	0 ... 10 bar	0 ... 145 psi	<b>162838</b>	<b>MA-50-10-1/4-EN</b>
		0 ... 1.6	0 ... 16	0 ... 232	0 ... 16 bar	0 ... 232 psi	<b>162839</b>	<b>MA-50-16-1/4-EN</b>
63	G1/4	0 ... 0.1	0 ... 1	0 ... 14.5	0 ... 1 bar	0 ... 14.5 psi	<b>162844</b>	<b>MA-63-1-1/4-EN</b>

## Datasheet

## Function



-  - Temperature range  
-20 ... +60°C



- Suitable for service unit components of series D

General technical data						
Nominal size	15	23	27	40	50	
Pneumatic connection	M5	R1/8	M5	R1/8	G1/8	G1/4
Operating medium	Inert gases Neutral fluids					
Note on the operating/pilot medium	No oxygen No acetylene					
Design	Bourdon tube pressure gauge without measuring device		Bourdon tube pressure gauge			
Conforms to standard	-			EN 837-1		
Type of mounting	In-line installation					
Connection position	Centred, rear					
Ambient temperature [°C]	-20 ... +60		0 ... +60		-20 ... +60	
Temperature of medium [°C]	-20 ... +60 <sup>1)</sup>		0 ... +60		-20 ... +60 <sup>1)</sup>	
Measurement accuracy class	5	4	4 / 5 <sup>2)</sup>	4	2.5	
Intermittent load factor	0.66	0.6	0.66			
Degree of protection	IP53		IP44		IP43	
For service unit components of series D	-		MICRO		MINI	MIDI/MAXI
Weight [g]	10	27	11	8	60	70

1) If the temperature of the medium used is below 0°C, ensure the operating medium is dry.

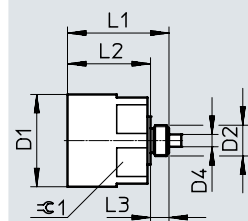
2) With display unit [MPa].

Materials						
Nominal size	15	23	27	40	50	
Pneumatic connection	M5	R1/8	M5	R1/8	G1/8	G1/4
Housing	Steel (colour: black)		Brass (colour: black)		PA (colour: black)	
Inspection window	PC			PS		PS
Screwed trunnion/ Materials in contact with the media	Brass		Brass	Reinforced PA	Brass	
Note on materials	RoHS-compliant					

## Dimensions

Download CAD data → [www.festo.com](http://www.festo.com)

MA-15, M5



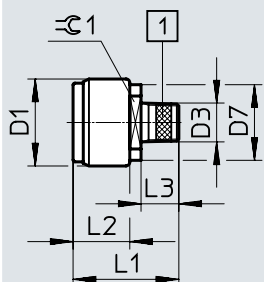
Type	D1	D2	D4	L1	L2	L3	∅ 1
MA-15-...-M5	15	M5x0.8	2	16.5	13.5	3	14

## Datasheet

### Dimensions

Download CAD data → [www.festo.com](http://www.festo.com)

MA-23, R1/8

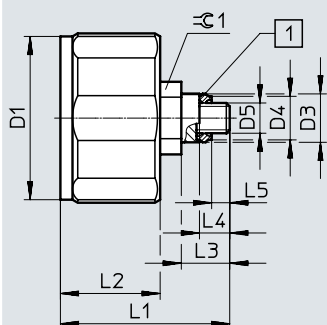


Type	D1 ∅ -0.4	D3	D7 ∅ -0.4	L1 ±0.35	L2 ±0.25	L3	≡ 1
MA-23-...-R1/8	23	R1/8	20	28	15	10	14

### Dimensions

Download CAD data → [www.festo.com](http://www.festo.com)

MA-27, M5



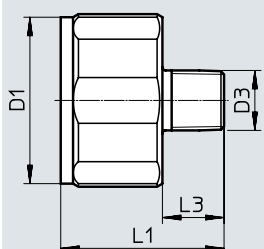
[1] With pre-fitted polyamide sealing ring

Type	D1 ∅	D3 ∅	D4 ∅	D5 ∅	L1	L2 ±0.5	L3	L4	L5	≡ 1
MA-27-...-M5	27	8	7.4	M5	28	16.5	8	5	3	10

### Dimensions

Download CAD data → [www.festo.com](http://www.festo.com)

MA-27, R1/8



Type	D1 ∅	D3	L1	L3 ±0.15
MA-27-...-R1/8	27	R1/8	26.5	10



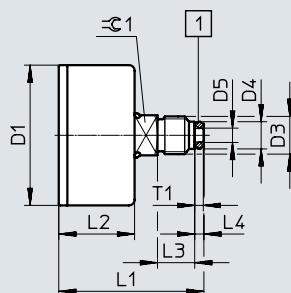
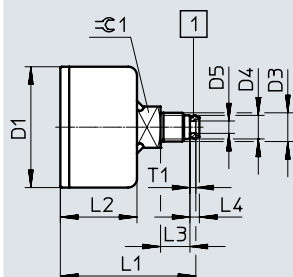
Datasheet

Download CAD data → [www.festo.com](http://www.festo.com)

Dimensions

MA-40, G1/8

MA-50, G1/4



[1] With pre-fitted aluminium sealing ring

[1] With pre-fitted aluminium sealing ring

Type	D1 ∅	D3	D4 ∅	D5 ∅	L1	L2	L3	L4	T1	⊕ 1
MA-40-...1/8	39 -0.2	G1/8	8	4.2	±1	±0.5	+0.3	3.2	2	14
MA-40-...1/4	49	G1/4	9.5	5	50.5	26.5	13		3	

Ordering data

Nominal size	Pneumatic connection	Operating pressure			Display range		Part no.	Type
		[MPa]	[bar]	[psi]	Outer scale	Inner scale		
<b>Display unit [bar]/[psi]</b>								
23	R1/8	0 ... 0.6	0 ... 6	0 ... 87	0 ... 6 bar	1 ... 87 psi	183896	MA-23-6-R1/8
		0 ... 1	0 ... 10	0 ... 145	0 ... 10 bar	0 ... 145 psi	183897	MA-23-10-R1/8
		0 ... 1.6	0 ... 16	0 ... 232	0 ... 16 bar	0 ... 232 psi	183898	MA-23-16-R1/8
27	R1/8	0 ... 1.6	0 ... 16	0 ... 232	0 ... 16 bar	0 ... 232 psi	541733	MA-27-16-R1/8
		0 ... 2.5	0 ... 25	0 ... 362.5	0 ... 25 bar	0 ... 362.5 psi	541734	MA-27-25-R1/8
40	G1/8	0 ... 1	0 ... 10	0 ... 145	0 ... 10 bar	0 ... 145 psi	359874	MA-40-10-1/8
		0 ... 1.6	0 ... 16	0 ... 232	0 ... 16 bar	0 ... 232 psi	345395	MA-40-16-1/8
50	G1/4	0 ... 1	0 ... 10	0 ... 145	0 ... 10 bar	0 ... 145 psi	359873	MA-50-10-1/4
		0 ... 1.6	0 ... 16	0 ... 232	0 ... 16 bar	0 ... 232 psi	356759	MA-50-16-1/4

Ordering data

Nominal size	Pneumatic connection	Operating pressure			Display range		Part no.	Type
		[MPa]	[bar]	[psi]	Outer scale	Inner scale		
<b>Display unit [bar]</b>								
15	-	0 ... 1	0 ... 10	0 ... 145	0 ... 10 bar	-	132340	MA-15-10-M5
27	-	-	0 ... 10	-	0 ... 10 bar	-	526323	MA-27-10-M5
<b>Display unit [MPa]</b>								
27	M5	0 ... 1	0 ... 10	0 ... 145	0 ... 1 MPa	-	526324	MA-27-1.0-M5-MPA
40	G1/8	0 ... 1	0 ... 10	0 ... 145	0 ... 1 MPa	-	192732	MA-40-1-G1/8-MPA
		0 ... 1.6	0 ... 16	0 ... 232	0 ... 1.6 MPa	-	192733	MA-40-1.6-G1/8-MPA
50	G1/4	0 ... 1	0 ... 10	0 ... 145	0 ... 1 MPa	-	192734	MA-50-1-G1/4-MPA
		0 ... 1.6	0 ... 16	0 ... 232	0 ... 1.6 MPa	-	192735	MA-50-1.6-G1/4-MPA
<b>Display unit [psi]</b>								
15	M5	0 ... 1	0 ... 10	0 ... 145	0 ... 145 psi	-	132341	MA-15-145-M5-PSI
27	M5	-	-	0 ... 160	0 ... 160 psi	-	527405	MA-27-160-M5-PSI

## Datasheet

Function



Temperature range  
-20 ... +60°C



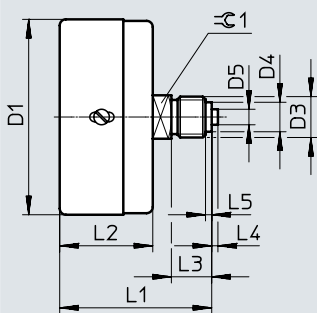
General technical data	
Nominal size	63
Pneumatic connection	G1/4
Operating medium	Gaseous media
	Liquid media
Note on the operating/pilot medium	No oxygen
	No acetylene
Design	Capsule pressure gauge
Conforms to standard	EN 837-3
Type of mounting	In-line installation
Connection position	Centred, rear
Ambient temperature [°C]	-20 ... +60
Temperature of medium [°C]	-20 ... +80 <sup>1)</sup>
Measurement accuracy class	1.6
Continuous load factor	0.75
Intermittent load factor	0.9
Degree of protection	IP43
Weight [g]	180

1) If the temperature of the medium used is below 0°C, ensure the operating medium is dry.

Materials	
Housing	Steel
Inspection window	PMMA
Bezel ring/screws	Steel
Screwed trunnion	Brass

### Dimensions

Download CAD data → [www.festo.com](http://www.festo.com)



Type	D1 ∅ ±1	D3	D4 ∅	D5 ∅	L1 ±1	L2	L3 +0.3	L4	L5	⊙ 1
MA-63	63	G1/4	9.5	5	49	30	13	2	2	14

Ordering data		Operating pressure			Display range		Part no.	Type
Nominal size	Pneumatic connection	[MPa]	[bar]	[psi]	Outer scale	Inner scale		
<b>Display unit [bar]/[psi]</b>								
63	G1/4	-	0 ... 0.25	-	0 ... 0.25 bar	0 ... 3.6 psi	<b>7169</b>	<b>MA-63-0.25</b>

# Datasheet

Function



Temperature range  
-20 ... +60°C

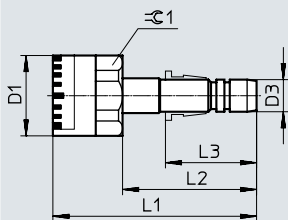


General technical data			
Nominal size	15		
Pneumatic connection	QS-4	QS-6	QS-8
Operating medium	Inert gases Neutral fluids		
Note on the operating/pilot medium	No oxygen No acetylene		
Design	Bourdon tube pressure gauge without measuring device		
Type of mounting	In-line installation		
Connection position	Centred, rear		
Ambient temperature [°C]	-20 ... +60		
Temperature of medium [°C]	-20 ... +60		
Measurement accuracy class	5		
Intermittent load factor	0.66		
Degree of protection	IP53		
Weight [g]	10		

Materials	
Housing	Steel (colour: black)
Inspection window	PC
Screwed trunnion/ Materials in contact with the media	Brass
Note on materials	RoHS-compliant

## Dimensions

Download CAD data → [www.festo.com](http://www.festo.com)



Type	D1 ∅	D3	L1	L2	L3	≈ 1
MA-15-10-QS-4	15	QS-4	36	23	15	14
MA-15-10-QS-6	15	QS-6	38	25	17	14
MA-15-10-QS-8	15	QS-8	34	21	18.5	14

Ordering data								
Nominal size	Pneumatic connection	Operating pressure			Display range		Part no.	Type
		[MPa]	[bar]	[psi]	Outer scale	Inner scale		
<b>Display unit [bar]</b>								
15	QS-4	0 ... 1	0 ... 10	0 ... 145	0 ... 10 bar	–	153383	MA-15-10-QS-4
	QS-6	0 ... 1	0 ... 10	0 ... 145	0 ... 10 bar	–	153384	MA-15-10-QS-6
	QS-8	0 ... 1	0 ... 10	0 ... 145	0 ... 10 bar	–	153385	MA-15-10-QS-8

## Datasheet

Function



-  - Temperature range  
-5 ... +50°C



- Suitable for service unit components of series MS2

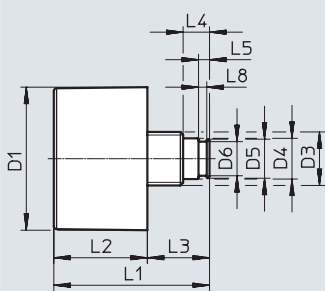
General technical data	
Nominal size	26
Pneumatic connection	G1/8 with sealing ring
Operating medium	Inert gases Neutral fluids
Note on the operating/pilot medium	No oxygen No acetylene
Design	Bourdon tube pressure gauge
Type of mounting	In-line installation
Connection position	Centred, rear
Ambient temperature [°C]	-5 ... +50
Temperature of medium [°C]	-5 ... +50 <sup>1)</sup>
Storage temperature [°C]	-5 ... +50
Measurement accuracy class	4
Intermittent load factor	0.66
Degree of protection	IP43
Weight [g]	8

1) If the temperature of the medium used is below 0°C, ensure the operating medium is dry.

Materials	
Housing	ABS (colour: black)
Inspection window	PS
Screwed trunnion	ABS
Materials in contact with the media	ABS, brass
Note on materials	RoHS-compliant

### Dimensions

Download CAD data → [www.festo.com](http://www.festo.com)



Type	D1 ∅	D3	D4 ∅	D5 ∅	D6 ∅	L1	L2	L3	L4	L5	L8 ∅
PAGN-26-...-G18S	26	G1/8	7.4 ±0.05	7.1	6.2 ±0.05	28.3	17	11.3	4.8	2	1.5 ±0.05

Ordering data		Operating pressure			Display range		Part no.	Type
Nominal size	Pneumatic connection	[MPa]	[bar]	[psi]	Outer scale	Inner scale		
<b>Display unit [bar]/[psi]</b>								
26	G1/8 with sealing ring	0 ... 1	0 ... 10	0 ... 145	0 ... 10 bar	0 ... 145 psi	8088985	PAGN-26-10-G18S
<b>Display unit [MPa]</b>								
26	G1/8 with sealing ring	0 ... 1	0 ... 10	0 ... 145	0 ... 1 MPa	-	8088986	PAGN-26-1M-G18S

Datasheet

Function



Temperature range  
-40 ... +200°C

- Suitable for filter regulator PCRP



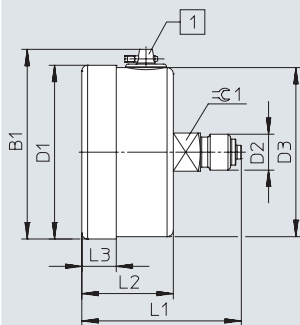
General technical data	
Nominal size	63
Pneumatic connection	G1/4
Operating medium	Inert gases Neutral fluids
Note on the operating/ pilot medium	No oxygen No acetylene
Design	Bourdon tube pressure gauge
Conforms to standard	EN 837-1
Type of mounting	In-line installation
Connection position	Centred, rear
Ambient temperature [°C]	-40 ... +60
Temperature of medium [°C]	-40 ... +200 <sup>1)</sup>
Storage temperature [°C]	-40 ... +70
Measurement accuracy class	1.6
Intermittent load factor	0.66
Degree of protection	IP65
Weight [g]	160

1) If the temperature of the medium used is below 0°C, ensure the operating medium is dry.

Materials	
Housing	High-alloy stainless steel (colour: silver)
Inspection window	PC
Screwed trunnion/ Materials in contact with the media	High-alloy stainless steel
Note on materials	RoHS-compliant

Dimensions

Download CAD data → [www.festo.com](http://www.festo.com)



[1] ≤ 16 bar with compensating valve

Type	B1	D1 ∅	D2	D3 ∅	L1	L2	L3	⊖ 1
PAGN-63	69.5	63	G1/4	62	57	33	11.5	14

Ordering data								
Nominal size	Pneumatic connection	Operating pressure			Display range		Part no.	Type
		[MPa]	[bar]	[psi]	Outer scale	Inner scale		
<b>Display unit [bar]</b>								
63	G1/4	0 ... 1.6	0 ... 16	0 ... 232	0 ... 16 bar	-	8081401	PAGN-63-16-G14-R1-1.6-0.5-V2

# Datasheet

Function



Temperature range  
-20 ... +60°C



General technical data		
Nominal size	26	40
Pneumatic connection	Cartridge 10 mm	Cartridge 10 mm
Operating medium	Inert gases Neutral fluids	
Note on the operating/pilot medium	No oxygen No acetylene	
Design	Bourdon tube pressure gauge	
Conforms to standard	-	EN 837-1
Type of mounting	In-line installation	
Connection position	Centred, rear	
Ambient temperature [°C]	-20 ... +60	
Temperature of medium [°C]	-20 ... +60 <sup>1)</sup>	
Measurement accuracy class	4 / 5 <sup>2)</sup>	2.5
Intermittent load factor	0.66	
Degree of protection	IP43 NEMA 4 (only with outer scale in bar)	
Weight [g]	15	50

1) If the temperature of the medium used is below 0°C, ensure the operating medium is dry.

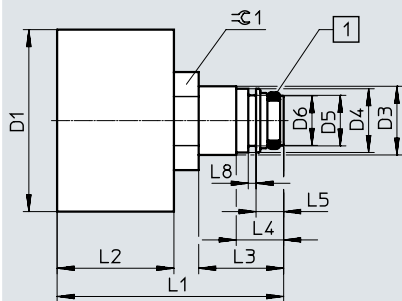
2) With display unit [MPa].

Materials		
Nominal size	26	40
Housing	PA (colour: black)	ABS (colour: black)
Inspection window	PS	
Screwed trunnion/ Materials in contact with the media	Brass	
Note on materials	RoHS-compliant	

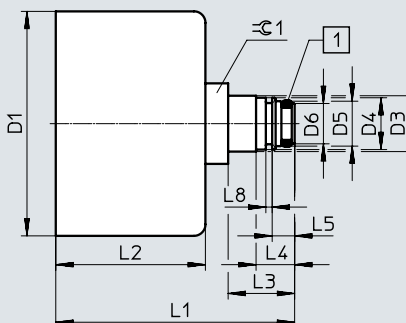
## Dimensions

Download CAD data → [www.festo.com](http://www.festo.com)

PAGN-26-...-P10



PAGN-40-...-P10



[1] Sealing ring

Type	D1 ∅	D3 ∅	D4 ∅	D5 ∅	D6 ∅	L1	L2	L3	L4	L5	L8	⊕ 1
PAGN-26-...-P10	25.7	9.7	9	7.8	7	32	16.5	12	6.7	3.9	1.1	12
PAGN-40-...-P10	39					41.5		11.6				14

## Datasheet

Ordering data								
Nominal size	Pneumatic connection	Operating pressure			Display range		Part no.	Type
		[MPa]	[bar]	[psi]	Outer scale	Inner scale		
<b>Display unit [bar]/[psi]</b>								
26	Cartridge 10 mm	0 ... 1	0 ... 10	0 ... 145	0 ... 10 bar	0 ... 145 psi	543488	PAGN-26-10-P10
		0 ... 1.6	0 ... 16	0 ... 232	0 ... 16 bar	0 ... 232 psi	543487	PAGN-26-16-P10
40	Cartridge 10 mm	0 ... 1	0 ... 10	0 ... 145	0 ... 10 bar	0 ... 145 psi	548009	PAGN-40-10-P10
		0 ... 1.6	0 ... 16	0 ... 232	0 ... 16 bar	0 ... 232 psi	548010	PAGN-40-16-P10
<b>Display unit [psi]/[bar]</b>								
26	Cartridge 10 mm	0 ... 1	0 ... 10	0 ... 145	0 ... 145 psi	0 ... 10 bar	563732	PAGN-26-145P-P10
		0 ... 1.6	0 ... 16	0 ... 232	0 ... 232 psi	0 ... 16 bar	563731	PAGN-26-232P-P10
40	Cartridge 10 mm	0 ... 1	0 ... 10	0 ... 145	0 ... 145 psi	0 ... 10 bar	563734	PAGN-40-145P-P10
		0 ... 1.6	0 ... 16	0 ... 232	0 ... 232 psi	0 ... 16 bar	563733	PAGN-40-232P-P10
<b>Display unit [MPa]</b>								
26	Cartridge 10 mm	0 ... 1	0 ... 10	0 ... 145	0 ... 1 MPa	–	563736	PAGN-26-1M-P10
		0 ... 1.6	0 ... 16	0 ... 232	0 ... 1.6 MPa	–	563735	PAGN-26-1.6M-P10
40	Cartridge 10 mm	0 ... 1	0 ... 10	0 ... 145	0 ... 1 MPa	–	563738	PAGN-40-1M-P10
		0 ... 1.6	0 ... 16	0 ... 232	0 ... 1.6 MPa	–	563737	PAGN-40-1.6M-P10

## Datasheet

### Function



- Suitable for service unit components of series MS4/MS6/MS9/MS12

Temperature range  
-20 ... +60°C



The adjustable red/green range provides additional safety when monitoring compressed air.

The coloured red and green segments show when the pressure is in the required pressure range.

The different colours make it possible to see at a glance whether the pressure is in the permitted tolerance range.

General technical data		
Nominal size	40	50
Pneumatic connection	R1/8	R1/4
Operating medium	Inert gases Neutral fluids	
Note on the operating/pilot medium	No oxygen No acetylene	
Design	Bourdon tube pressure gauge	
Conforms to standard	EN 837-1	
Type of mounting	In-line installation	
Connection position	Centred, rear	
Ambient temperature [°C]	-20 ... +60	
Temperature of medium [°C]	-20 ... +60 <sup>1)</sup>	
Measurement accuracy class	2.5	
Intermittent load factor	0.66	
Degree of protection	IP43	
For service unit components of series MS	MS4	MS4/MS6/MS9/MS12
Weight [g]	60	75

1) If the temperature of the medium used is below 0°C, ensure the operating medium is dry.

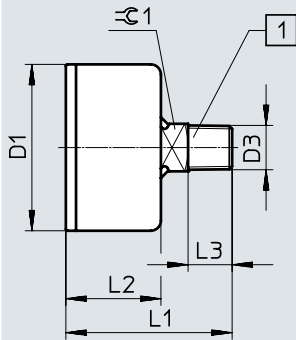
Materials	
Housing	ABS (colour: black)
Inspection window	PMMA
Screwed trunnion/ Materials in contact with the media	Brass
Note on materials	RoHS-compliant



Datasheet

Dimensions

Download CAD data → [www.festo.com](http://www.festo.com)



[1] Coated with thread sealant

Type	D1 ∅ ±0.5	D3	L1 ±1	L2 ±0.5	L3	±0.1
MA-40-...-RG	39	R1/8	46	28	10	14
MA-50-...-RG	49	R1/4	49	28	13	14

Ordering data

Nominal size	Pneumatic connection	Operating pressure			Display range		Part no.	Type
		[MPa]	[bar]	[psi]	Outer scale	Inner scale		
<b>Display unit [bar]</b>								
40	R1/8	0 ... 0.25	0 ... 2.5	0 ... 36.25	0 ... 2.5 bar	–	546963	MA-40-2.5-R1/8-E-RG
		0 ... 1 bar	0 ... 10	0 ... 145	0 ... 10 bar	–	525725	MA-40-10-R1/8-E-RG
		0 ... 1.6 bar	0 ... 16	0 ... 232	0 ... 16 bar	–	525726	MA-40-16-R1/8-E-RG
50	R1/4	0 ... 0.25	0 ... 2.5	0 ... 36.25	0 ... 2.5 bar	–	525727	MA-50-2.5-R1/4-E-RG
		0 ... 1 bar	0 ... 10	0 ... 145	0 ... 10 bar	–	525728	MA-50-10-R1/4-E-RG
		0 ... 1.6 bar	0 ... 16	0 ... 232	0 ... 16 bar	–	525729	MA-50-16-R1/4-E-RG
<b>Display unit [MPa]</b>								
40	R1/8	0 ... 1	0 ... 10	0 ... 145	0 ... 1 MPa	–	526778	MA-40-1.0-R1/8-MPA-E-RG
		0 ... 1.6	0 ... 16	0 ... 232	0 ... 1.6 MPa	–	526779	MA-40-1.6-R1/8-MPA-E-RG
50	R1/4	0 ... 0.25	0 ... 2.5	0 ... 36.25	0 ... 0.25 MPa	–	526780	MA-50-0.25-R1/4-MPA-E-RG
		0 ... 1	0 ... 10	0 ... 145	0 ... 1 MPa	–	526781	MA-50-1.0-R1/4-MPA-E-RG
		0 ... 1.6	0 ... 16	0 ... 232	0 ... 1.6 MPa	–	526782	MA-50-1.6-R1/4-MPA-E-RG
<b>Display unit [psi]</b>								
40	R1/8	0 ... 1 bar	0 ... 10	0 ... 145	0 ... 145 psi	–	526786	MA-40-145-R1/8-PSI-E-RG
		0 ... 1.6 bar	0 ... 16	0 ... 232	0 ... 232 psi	–	526787	MA-40-232-R1/8-PSI-E-RG
50	R1/4	–	–	0 ... 36	0 ... 36 psi	–	526788	MA-50-36-R1/4-PSI-E-RG
		0 ... 1 bar	0 ... 10	0 ... 145	0 ... 145 psi	–	526789	MA-50-145-R1/4-PSI-E-RG
		0 ... 1.6 bar	0 ... 16	0 ... 232	0 ... 232 psi	–	526790	MA-50-232-R1/4-PSI-E-RG

Datasheet

Function



Temperature range  
-20 ... +60°C



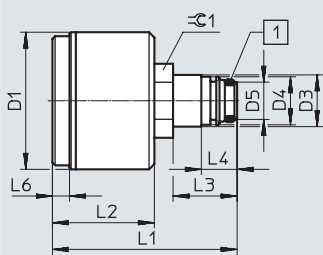
General technical data	
Nominal size	26
Pneumatic connection	Cartridge 10 mm
Operating medium	Inert gases Neutral fluids
Note on the operating/ pilot medium	No oxygen No acetylene
Design	Bourdon tube pressure gauge without measuring device
Type of mounting	In-line installation
Connection position	Centred, rear
Ambient temperature [°C]	-20 ... +60
Temperature of medium [°C]	-20 ... +60 <sup>1)</sup>
Measurement accuracy class	4
Intermittent load factor	0.66
Degree of protection	IP43
Weight [g]	15

1) If the temperature of the medium used is below 0°C, ensure the operating medium is dry.

Materials	
Housing	PA (colour: black)
Inspection window	PS
Screwed trunnion/ Materials in contact with the media	Brass
Note on materials	RoHS-compliant

Dimensions

Download CAD data → [www.festo.com](http://www.festo.com)



[1] Sealing ring

Type	D1 ∅	D3 ∅	D4 ∅	D5 ∅	L1	L2	L3	L4	L6	⊖ 1
	+0.1/-0.2	±0.1	±0.05	±0.1	±1	±0.5			±0.1	
PAGN-26-...-P10-RG	25.7	9.7	9	7	34.6	19.1	12	6.7	3.2	12

Ordering data								
Nominal size	Pneumatic connection	Operating pressure			Display range		Part no.	Type
		[MPa]	[bar]	[psi]	Outer scale	Inner scale		
<b>Display unit [bar]/[MPa]</b>								
26	Cartridge 10 mm	0 ... 1	0 ... 10	0 ... 145	0 ... 10 bar	0 ... 1 MPa	8090378	PAGN-26-10-P10-RG

## Datasheet

Function



Temperature range  
-20 ... +60°C



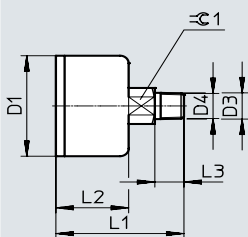
General technical data	
Nominal size	40
Pneumatic connection	R1/8
Operating medium	Inert gases Neutral fluids
Note on the operating/pilot medium	No oxygen No acetylene
Design	Bourdon tube pressure gauge
Conforms to standard	EN 837-1
Type of mounting	In-line installation
Connection position	Centred, rear
Ambient temperature [°C]	-20 ... +60
Temperature of medium [°C]	-20 ... +60 <sup>1)</sup>
Measurement accuracy class	1.6
Intermittent load factor	0.66
Degree of protection	IP43
Weight [g]	60

1) If the temperature of the medium used is below 0°C, ensure the operating medium is dry.

Materials	
Housing	PBT (colour: black)
Inspection window	PS
Screwed trunnion/ Materials in contact with the media	Brass
Note on materials	RoHS-compliant

## Dimensions

Download CAD data → [www.festo.com](http://www.festo.com)



Type	D1 ∅ +0.1/-0.2	D3	D4 ∅	L1	L2 +0.5	L3	∅ 1
MAP-40-...-EN	39	R1/8	10.2	44	25	10	14

Ordering data								
Nominal size	Pneumatic connection	Operating pressure			Display range		Part no.	Type
		[MPa]	[bar]	[psi]	Outer scale	Inner scale		
<b>Display unit [bar]/[psi]</b>								
40	R1/8	0 ... 0.1	0 ... 1	0 ... 14.5	0 ... 1 bar	0 ... 14.5 psi	161126	MAP-40-1-1/8-EN
		0 ... 0.4	0 ... 4	0 ... 58	0 ... 4 bar	1 ... 58 psi	162842	MAP-40-4-1/8-EN
		0 ... 0.6	0 ... 6	0 ... 87	0 ... 6 bar	1 ... 87 psi	161127	MAP-40-6-1/8-EN
		0 ... 1.6	0 ... 16	0 ... 232	0 ... 16 bar	0 ... 232 psi	161128	MAP-40-16-1/8-EN

## Datasheet

### Function



Temperature range  
-20 ... +60°C



- Suitable for precision pressure regulator LRP

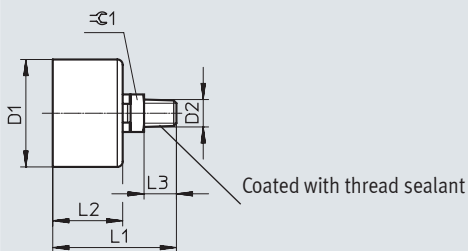
General technical data	
Nominal size	40
Pneumatic connection	R1/8
Operating medium	Inert gases Neutral fluids
Note on the operating/pilot medium	No oxygen No acetylene
Design	Bourdon tube pressure gauge
Conforms to standard	EN 837-1
Type of mounting	In-line installation
Connection position	Centred, rear
Ambient temperature [°C]	-20 ... +60
Temperature of medium [°C]	-20 ... +60 <sup>1)</sup>
Storage temperature [°C]	-40 ... +70
Measurement accuracy class	1.6
Intermittent load factor	0.66
Degree of protection	IP43
Weight [g]	60

1) If the temperature of the medium used is below 0°C, ensure the operating medium is dry.

Materials	
Housing	PBT (colour: black)
Inspection window	PS
Screwed trunnion/ Materials in contact with the media	Brass
Note on materials	RoHS-compliant

### Dimensions

Download CAD data → [www.festo.com](http://www.festo.com)



Type	D1 ø	D2	L1	L2	L3	⌀ 1
PAGN-40-...-1.6	39 +0.1/-0.2	R1/8	44	25 +0.5	10	14

Ordering data								
Nominal size	Pneumatic connection	Operating pressure			Display range		Part no.	Type
		[MPa]	[bar]	[psi]	Outer scale	Inner scale		
<b>Display unit [bar]/[psi]</b>								
40	R1/8	0 ... 1	0 ... 10	0 ... 145	0 ... 10 bar	0 ... 145 psi	2849914	PAGN-40-10-R18-1.6
<b>Display unit [MPa]/[bar]</b>								
40	R1/8	0 ... 1	0 ... 10	0 ... 145	0 ... 1 MPa	0 ... 10 bar	2849916	PAGN-40-1M-R18-1.6

## Datasheet

Function



-  - Temperature range  
-20 ... +60°C



General technical data			
Nominal size	40	50	63
Pneumatic connection	G1/4	G1/4	G1/4
Operating medium	Inert gases Neutral fluids		
Note on the operating/pilot medium	No oxygen No acetylene		
Design	Bourdon tube pressure gauge		
Conforms to standard	EN 837-1		
Type of mounting	Front panel mounting		
Connection position	Centred, rear		
Ambient temperature [°C]	-20 ... +60		
Temperature of medium [°C]	-20 ... +60 <sup>1)</sup>		
Measurement accuracy class	2.5		
Intermittent load factor	0.66		
Degree of protection	IP43		
Weight [g]	80	100	120

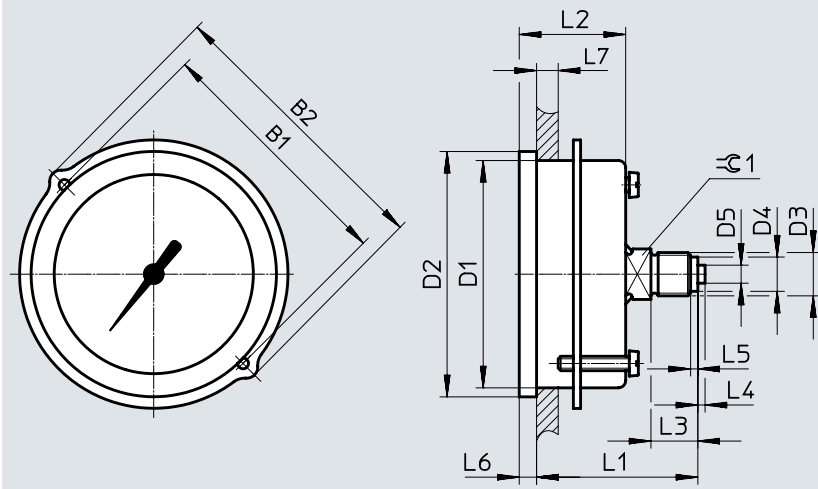
1) If the temperature of the medium used is below 0°C, ensure the operating medium is dry.

Materials	
Housing	ABS (colour: black)
Inspection window	SAN
Mounting ring	Steel
Screwed trunnion/ Materials in contact with the media	Brass
Note on materials	RoHS-compliant

Datasheet

Dimensions

Download CAD data → [www.festo.com](http://www.festo.com)



Type	B1	B2	D1 ∅	D2 ∅	D3	D4 ∅	D5 ∅	L1 ±1	L2 ±0.3	L3 +0.3	L4	L5	L6	L7 max.	⊖ 1
FMA-40-...-EN	48	56	40 -0.2	45 -0.3	G1/4	9.5	5	43	26.5 ±0.5	13	2	2	4.5	15	14
FMA-50-...-EN	57 +0.3	66	49.5 +0.2	54 -0.4				43.3	26.8 +0.3				4.5		
FMA-63-...-EN	70 +0.3	79	63 +0.2	68 -0.2				42.5	29.5 +0.3				4.8		

Ordering data

Nominal size	Pneumatic connection	Operating pressure			Display range		Part no.	Type
		[MPa]	[bar]	[psi]	Outer scale	Inner scale		
<b>Display unit [bar]/[psi]</b>								
40	G1/4	0 ... 1	0 ... 10	0 ... 145	0 ... 10 bar	0 ... 145 psi	<b>159596</b>	<b>FMA-40-10-1/4-EN</b>
		0 ... 1.6	0 ... 16	0 ... 232	0 ... 16 bar	0 ... 232 psi	<b>159597</b>	<b>FMA-40-16-1/4-EN</b>
50	G1/4	0 ... 0.25	0 ... 2.5	0 ... 36.25	0 ... 2.5 bar	0 ... 36.25 psi	<b>159598</b>	<b>FMA-50-2.5-1/4-EN</b>
		0 ... 1	0 ... 10	0 ... 145	0 ... 10 bar	0 ... 145 psi	<b>159599</b>	<b>FMA-50-10-1/4-EN</b>
63	G1/4	0 ... 1.6	0 ... 16	0 ... 232	0 ... 16 bar	0 ... 232 psi	<b>159600</b>	<b>FMA-50-16-1/4-EN</b>
		0 ... 0.25	0 ... 2.5	0 ... 36.25	0 ... 2.5 bar	0 ... 36.25 psi	<b>159601</b>	<b>FMA-63-2.5-1/4-EN</b>
63	G1/4	0 ... 1	0 ... 10	0 ... 145	0 ... 10 bar	0 ... 145 psi	<b>159602</b>	<b>FMA-63-10-1/4-EN</b>
		0 ... 1.6	0 ... 16	0 ... 232	0 ... 16 bar	0 ... 232 psi	<b>159603</b>	<b>FMA-63-16-1/4-EN</b>

Datasheet

Function



-  - Temperature range  
-20 ... +60°C



**General technical data**

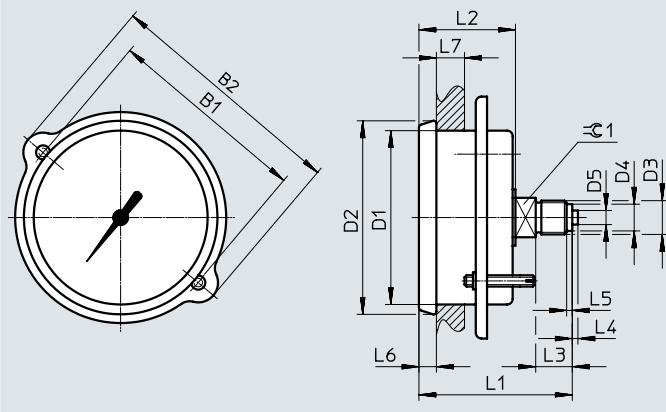
Nominal size	63
Pneumatic connection	G1/4
Operating medium	Gaseous media Liquid media
Note on the operating/pilot medium	No oxygen No acetylene
Design	Capsule pressure gauge
Conforms to standard	EN 837-3
Type of mounting	Front panel mounting
Connection position	Centred, rear
Ambient temperature [°C]	-20 ... +60
Temperature of medium [°C]	-20 ... +80
Measurement accuracy class	1.6
Continuous load factor	0.75
Intermittent load factor	0.9
Degree of protection	IP43
Weight [g]	120

**Materials**

Housing	Steel
Inspection window	PMMA
Mounting ring/screws	Steel
Screwed trunnion	Brass

**Dimensions**

Download CAD data → [www.festo.com](http://www.festo.com)



Type	B1	B2	D1 ∅ ±0.5	D2 ∅ ±0.5	D3	D4 ∅	D5 ∅	L1 ±1	L2 ±0.5	L3 +0.3	L4	L5	L6 ±0.5	L7 max.	⊕ 1
FMA-63-0.25-C	72	86	61.8	68.8	G1/4	9.5	5	54.5	34.3	13	2	2	6.2	10	14

**Ordering data**

Nominal size	Pneumatic connection	Operating pressure			Display range		Part no.	Type
		[MPa]	[bar]	[psi]	Outer scale	Inner scale		
<b>Display unit [bar]/[psi]</b>								
63	G1/4	-	0 ... 0.25	-	0 ... 0.25 bar	0 ... 3.6 psi	225783	FMA-63-0.25-C

Datasheet

Function



- - Temperature range  
-20 ... +60°C



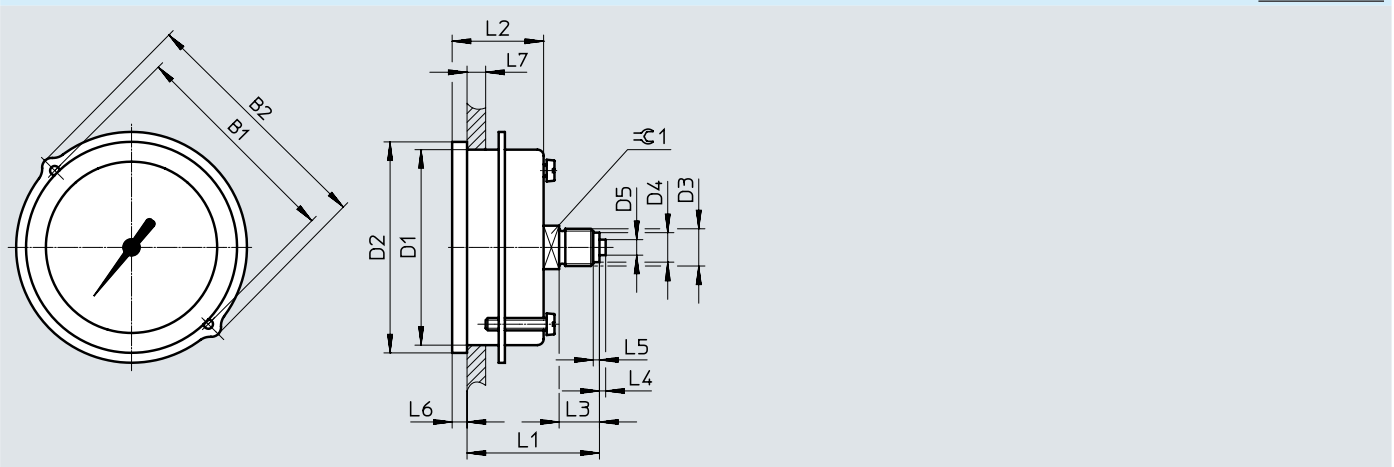
General technical data	
Nominal size	63
Pneumatic connection	G1/4
Operating medium	Inert gases Neutral fluids
Note on the operating/pilot medium	No oxygen No acetylene
Design	Bourdon tube pressure gauge
Conforms to standard	EN 837-1
Type of mounting	Front panel mounting
Connection position	Centred, rear
Ambient temperature [°C]	-20 ... +60
Temperature of medium [°C]	-20 ... +60 <sup>1)</sup>
Measurement accuracy class	1
Intermittent load factor	0.66
Degree of protection	IP43
Weight [g]	120

1) If the temperature of the medium used is below 0°C, ensure the operating medium is dry.

Materials	
Housing	ABS (colour: black)
Inspection window	SAN
Mounting ring	Steel
Screwed trunnion/ Materials in contact with the media	Brass
Note on materials	RoHS-compliant

Dimensions

Download CAD data → [www.festo.com](http://www.festo.com)



Type	B1	B2	D1 ∅	D2 ∅	D3	D4 ∅	D5 ∅	L1	L2	L3	L4	L5	L6	L7	≈ 1
FMAP-63-...-EN	70 +0.3	79	63 +0.2	68 -0.2	G1/4	9.5	5	±1	+0.3	+0.3	2	2	4.8	15	14



Datasheet

Ordering data								
Nominal size	Pneumatic connection	Operating pressure			Display range		Part no.	Type
		[MPa]	[bar]	[psi]	Outer scale	Inner scale		
<b>Display unit [bar]/[psi]</b>								
63	G1/4	0 ... 0.1	0 ... 1	0 ... 14.5	0 ... 1 bar	0 ... 14.5 psi	<b>161129</b>	<b>FMAP-63-1-1/4-EN</b>
		0 ... 0.4	0 ... 4	0 ... 58	0 ... 4 bar	1 ... 58 psi	<b>162843</b>	<b>FMAP-63-4-1/4-EN</b>
		0 ... 0.6	0 ... 6	0 ... 87	0 ... 6 bar	1 ... 87 psi	<b>161130</b>	<b>FMAP-63-6-1/4-EN</b>
		0 ... 1.6	0 ... 16	0 ... 232	0 ... 16 bar	0 ... 232 psi	<b>161131</b>	<b>FMAP-63-16-1/4-EN</b>

# Festo - Your Partner in Automation



**1 Festo Inc.**  
5300 Explorer Drive  
Mississauga, ON L4W 5G4  
Canada

**Festo Customer Interaction Center**  
Tel: 1 877 463 3786  
Fax: 1 877 393 3786  
Email: [customer.service.ca@festo.com](mailto:customer.service.ca@festo.com)



**2 Festo Pneumatic**  
Av. Ceylán 3,  
Col. Tequesquináhuac  
54020 Tlalnepantla,  
Estado de México

**Multinational Contact Center**  
01 800 337 8669  
[ventas.mexico@festo.com](mailto:ventas.mexico@festo.com)



**3 Festo Corporation**  
1377 Motor Parkway  
Suite 310  
Islandia, NY 11749

**Festo Customer Interaction Center**  
1 800 993 3786  
1 800 963 3786  
[customer.service.us@festo.com](mailto:customer.service.us@festo.com)



**4 Regional Service Center**  
7777 Columbia Road  
Mason, OH 45040

Connect with us



[www.festo.com/socialmedia](http://www.festo.com/socialmedia)



[www.festo.com](http://www.festo.com)

Subject to change