



- Compact
- Functional
- Wide range of variants
- Flexible

# Drive/drive connectors

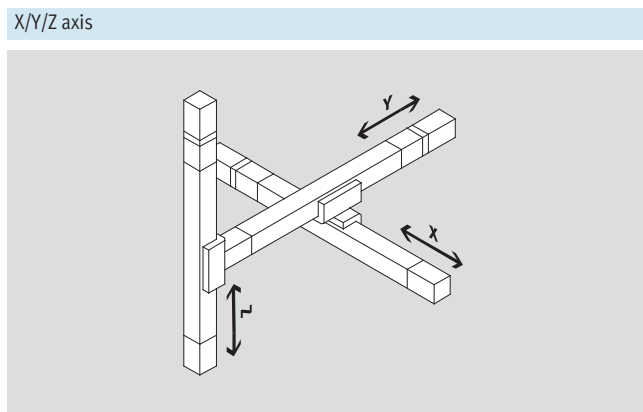
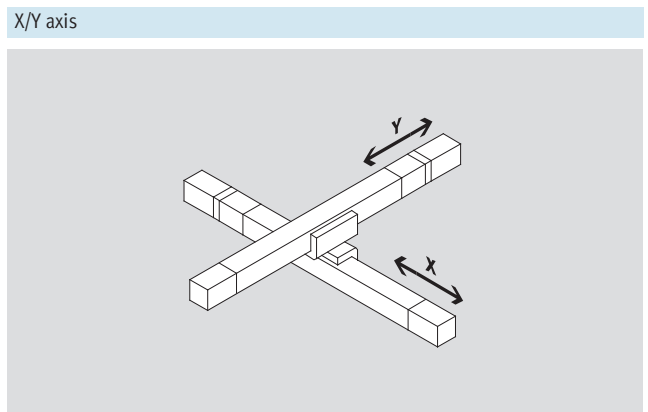
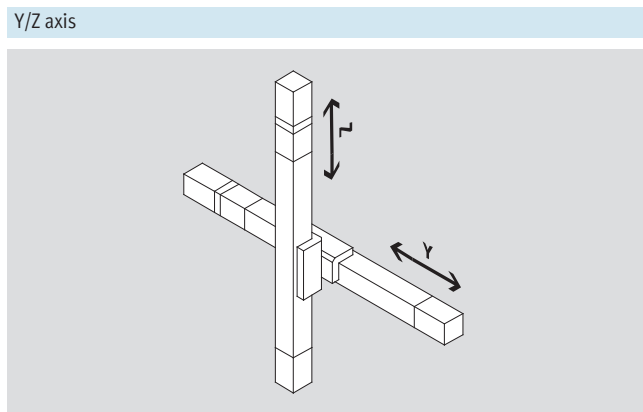
Key features

At a glance			
Compact	Functional	Flexible	Individual
<ul style="list-style-type: none"> <li>• Drive combinations with harmonised kits</li> <li>• Sturdy kits for accurate and reliable drive combinations</li> </ul>	<ul style="list-style-type: none"> <li>• With the numerous adapter kit variants on offer a wealth of combination options is available</li> <li>• With linear movements in every direction, supplemented by rotary movements, any desired application can be achieved</li> </ul>	<ul style="list-style-type: none"> <li>• Combination of different Festo drives into one complete system</li> <li>• All the parts required for a particular connection are included in the scope of delivery</li> </ul>	<ul style="list-style-type: none"> <li>• Application-oriented combinations can be selected:               <ul style="list-style-type: none"> <li>– Direct mounting</li> <li>– Dovetail mounting</li> </ul> </li> </ul>

## The system

### Definition of axes

To configure the drive, the movement planes are defined in y and z axes. Depending on the combination and mounting position, the movement plane and thus the axis designation (y or x) may change.



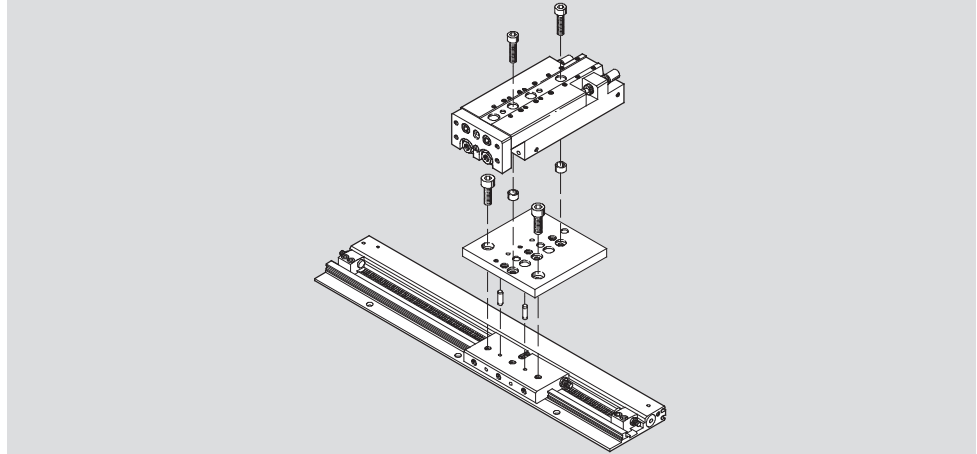
# Drive/drive connectors

Key features

## Types of connection

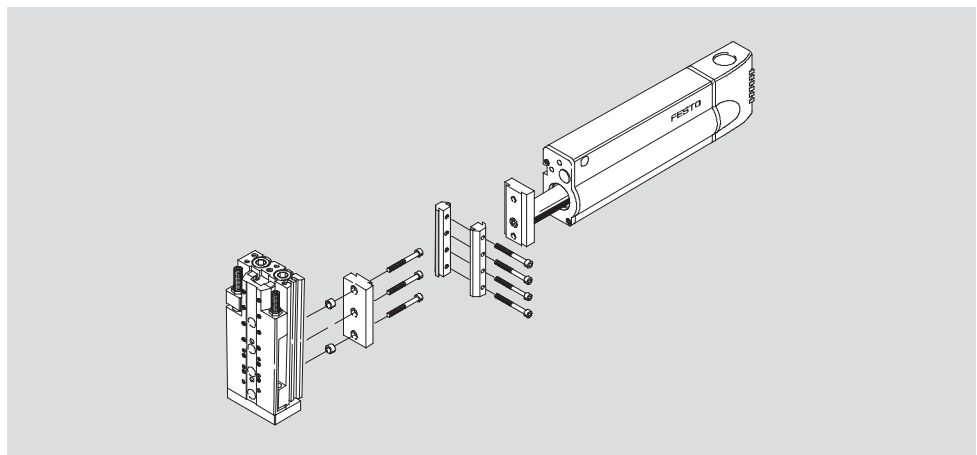
### Direct mounting

Two drives are connected directly using screws and centring sleeves or via an adapter plate using screws and centring sleeves.



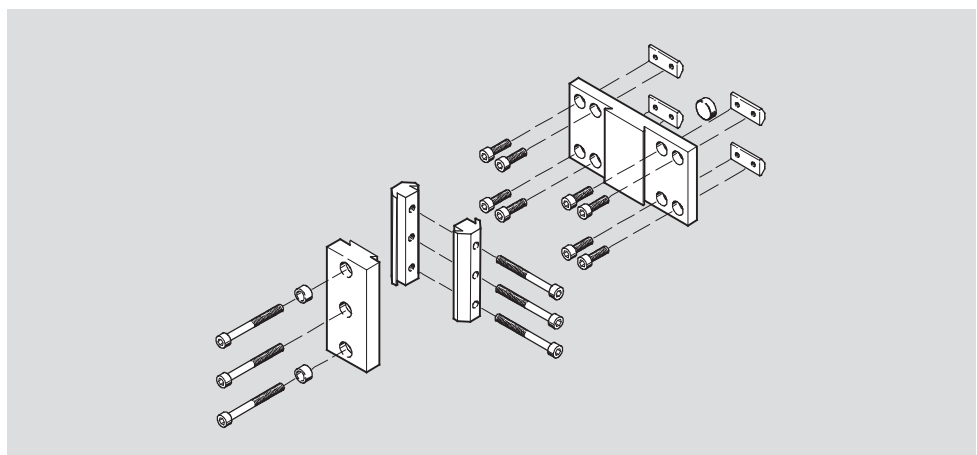
### Dovetail mounting

Two drives are connected using a dovetail clamping device and possibly also an adapter plate.



## Assembly

For the quick connection of two drives, the required screws, centring sleeves, centring pins, clamping components, adapter plates and slot nuts are contained in the scope of delivery of the adapter kit.

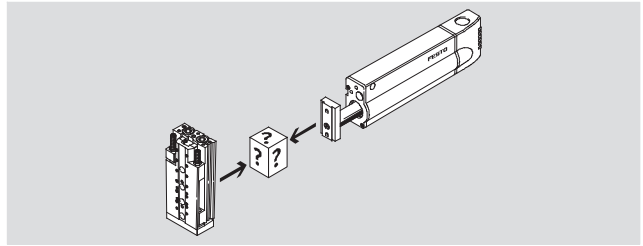


# Drive/drive connectors

Selection aid

Adapter kits provide a fast, sturdy and precise connection between Festo grippers and drives.

The scope of delivery includes all necessary accessories such as screws, centring discs, sleeves or pins, and nuts.



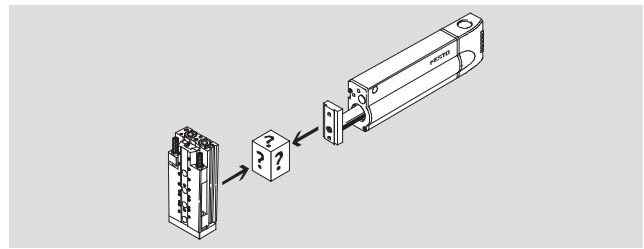
Possible combinations						
		X/Y				
		HMP, HME	DGSL	SLT, SLTE	SLG	DRQD
Z	HMP	→ 6	–	–	–	–
	DGSL	→ 8	→ 13	–	→ 19	→ 14
	SLT, SLTE	→ 9	–	→ 16	→ 20	–
	SLF	–	–	–	→ 21	–
	DRQD	→ 10	→ 14	→ 17	–	–
	ERMB	–	→ 15	→ 18	–	–
	DSL	→ 12	–	–	–	–

# Drive/drive connectors

Selection aid

Adapter kits provide a fast, sturdy and precise connection between Festo grippers and drives.

The scope of delivery includes all necessary accessories such as screws, centring discs, sleeves or pins, and nuts.



Possible combinations						
	X/Y					
	DGC, DGPL, DGE-KF	DGEA	EGSA	DG...-HD	SPZ	DPZ
Z		→ 22	-	→ 37	-	-
		→ 23	-	→ 34	-	-
		→ 24	-	-	-	-
		→ 25	→ 25	→ 35	-	-
		-	→ 27	→ 36	-	-
		→ 28	-	-	-	-
		→ 28	-	-	-	-
		-	-	→ 33	-	-
		→ 29 → <a href="http://www.festo.com">www.festo.com</a>	-	-	-	-
		-	-	-	→ 38 → <a href="http://www.festo.com">www.festo.com</a>	→ 38 → <a href="http://www.festo.com">www.festo.com</a>
		- → <a href="http://www.festo.com">www.festo.com</a>	-	-	→ 38 → <a href="http://www.festo.com">www.festo.com</a>	→ 38 → <a href="http://www.festo.com">www.festo.com</a>
		→ 30	-	-	-	-

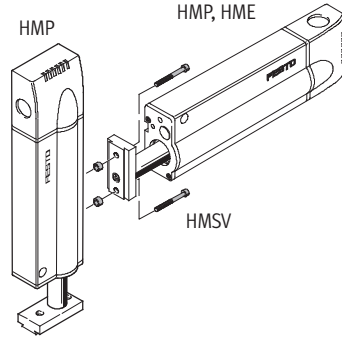
# HMP, HME/HMP connections

Technical data

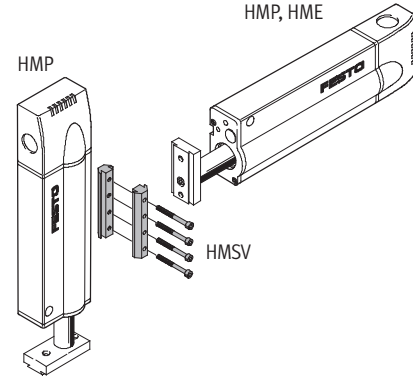
## Adapter kit HMSV

**Material:**

- Wrought aluminium alloy, anodised
- Centring sleeves: High-alloy steel
- Slot nuts: Tempered steel
- Free of copper, PTFE and silicone



Direct mounting

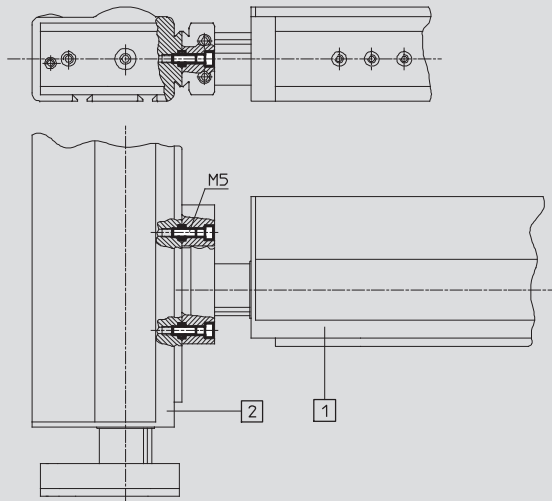


Dovetail mounting

## Dimensions and ordering data

Download CAD data → [www.festo.com](http://www.festo.com)

### Direct mounting



- 1 Linear module HMP, HME<sup>2)</sup>
- 2 Linear module HMP

Drive 1	Drive 2	CRC <sup>1)</sup>	Part No.	Type	Part No.	Type	Required quantity	PU <sup>4)</sup>
HMP/HME-16 <sup>2)</sup>	HMP-16	2	-		-	M5x25 <sup>3)</sup>	2	-
					150 927	ZBH-9 <sup>3)</sup>	2	10
HMP-20	HMP-16/20				-	M5x25 <sup>3)</sup>	3	-
					150 927	ZBH-9 <sup>3)</sup>	3	10
HMP-25/32 HME-25 <sup>2)</sup>	HMP-16/20				-	M5x30 <sup>3)</sup>	3	-
				150 927	ZBH-9 <sup>3)</sup>	3	10	
HMP/HME-25 <sup>2)</sup>	HMP-25		177 652	HMSV-6	-		-	-
HMP-32	HMP-25/32							

- 1) Corrosion resistance class 2 as per Festo standard 940 070  
Components subject to moderate corrosion stress. Externally visible parts with primarily decorative surface requirements which are in direct contact with a normal industrial environment or media such as coolants or lubricating agents.
- 2) HME: horizontal mounting position, vertical on request
- 3) The screws and centring sleeves listed are not included in the scope of delivery of the drives
- 4) Packaging unit quantity

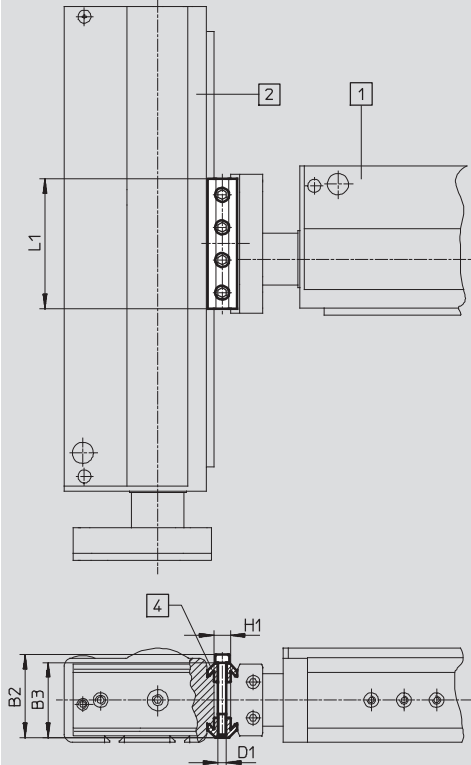
# HMP, HME/HMP connections

Technical data

## Dimensions and ordering data

Download CAD data → [www.festo.com](http://www.festo.com)

### Dovetail mounting



- 1 Linear module HMP, HME<sup>2)</sup>
- 2 Linear module HMP
- 4 Adapter kit HMSV

Drive 1	Drive 2	B2	B3	D1	H1	L1	CRC <sup>1)</sup>	Part No.	Type
HMP-16/20/25 HME-16/25 <sup>2)</sup>	HMP-16	51	46	M5	10	80	2	177 647	HMSV-1
HMP-20	HMP-20					100		177 649	HMSV-3
HMP/HME-25 <sup>2)</sup>	HMP-20/25					120		177 653	HMSV-7
HMP-32	HMP-16 HMP-20/25/32								

1) Corrosion resistance class 2 as per Festo standard 940 070

Components subject to moderate corrosion stress. Externally visible parts with primarily decorative surface requirements which are in direct contact with a normal industrial environment or media such as coolants or lubricating agents.

2) HME: horizontal mounting position, vertical on request

# HMP, HME/DGSL connections

Technical data

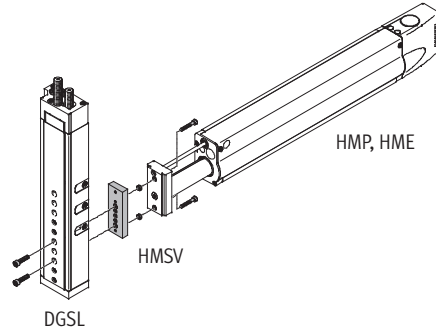
## Adapter kit HMSV

Material:

Wrought aluminium alloy, anodised

Centring sleeves: High-alloy steel

Free of copper, PTFE and silicone

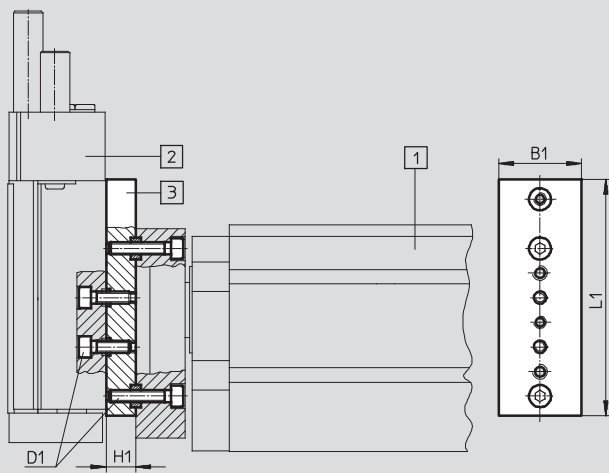


Direct mounting

## Dimensions and ordering data

Download CAD data → [www.festo.com](http://www.festo.com)

Direct mounting



- 1 Linear module HMP, HME
- 2 Mini slide DGSL
- 3 Adapter plate HMSV

Drive	Drive	B1	D1	H1	L1	CRC <sup>1)</sup>	Part No.	Type
HMP/HME-16	DGSL-16	34	M5	12	125	2	548 779	HMSV-49
HMP-20	DGSL-16/20							
HMP/HME-25	DGSL-20/25							
HMP-32	DGSL-25							

1) Corrosion resistance class 2 as per Festo standard 940 070

Components subject to moderate corrosion stress. Externally visible parts with primarily decorative surface requirements which are in direct contact with a normal industrial environment or media such as coolants or lubricating agents.



# HMP, HME/SLT, SLTE connections

Technical data

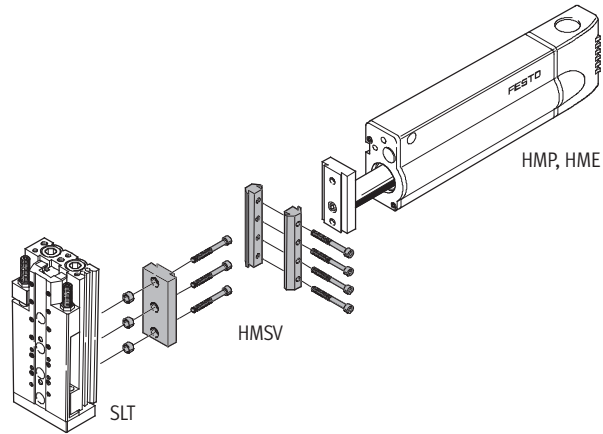
## Adapter kit HMSV

Material:

Wrought aluminium alloy, anodised

Centring sleeves: High-alloy steel

Free of copper, PTFE and silicone

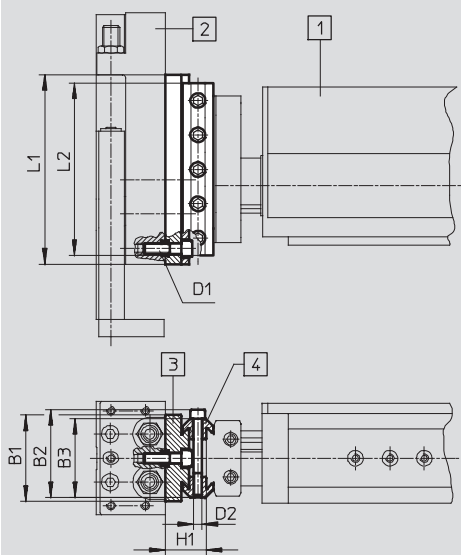


Dovetail mounting

## Dimensions and ordering data

Download CAD data → [www.festo.com](http://www.festo.com)

Dovetail mounting



- 1 Linear module HMP, HME
- 2 Mini slide SLT, SLTE
- Adapter kit HMSV, comprising:
- 3 Adapter plate
- 4 Dovetail clamp

Drive	Drive	B1	B2	B3	D1	D2	H1	L1	L2	CRC <sup>1)</sup>	Part No.	Type
HMP/HME-16	SLT-6	40	51	46	M3	M5	22	85	80	2	178 329	HMSV-34
HMP-16/20 HME-16	SLT/SLTE-10				M4			110			178 330	HMSV-35
HMP-16/20/25 HME-16/25	SLT/SLTE-16	50	51	46	M6	M5	24	110	100	2	178 331	HMSV-36
HMP-20/25/32 HME-25	SLT-20	80			M8		26				178 332	HMSV-37
HMP-25/32 HME-25	SLT-25											

1) Corrosion resistance class 2 as per Festo standard 940 070

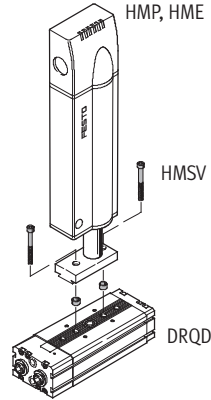
Components subject to moderate corrosion stress. Externally visible parts with primarily decorative surface requirements which are in direct contact with a normal industrial environment or media such as coolants or lubricating agents.

# HMP, HME/DRQD connections

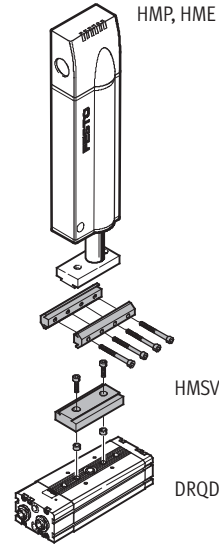
Technical data

## Adapter kit HMSV

Material:  
Wrought aluminium alloy, anodised  
Centring sleeves: High-alloy steel  
Free of copper, PTFE and silicone



Direct mounting



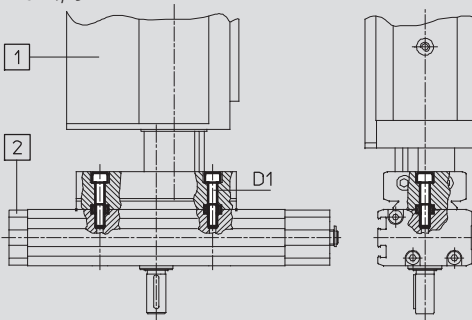
Dovetail mounting

## Dimensions and ordering data

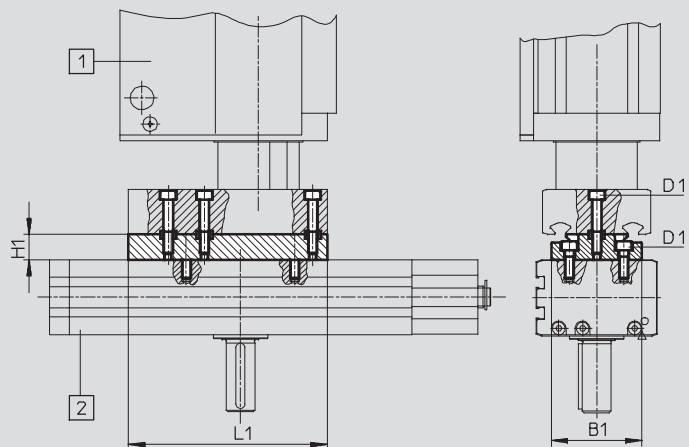
Download CAD data → [www.festo.com](http://www.festo.com)

### Direct mounting

HMSV-4/-5



HMSV-11/-13/-15/-17



- 1 Linear module HMP, HME<sup>2)</sup>
- 2 Semi-rotary drive DRQD

Drive	Drive	B1	D1	H1	L1	CRC <sup>1)</sup>	Part No.	Type	Part No.	Type	Required quantity	PU <sup>4)</sup>
HMP-16/20 HME-16 <sup>2)</sup>	DRQD-B-16/20	-	-	-	-	2	-	-	M5x20 <sup>3)</sup>	3	-	-
							-	150 927	ZBH-9 <sup>3)</sup>	3	10	
HMP/HME-25 <sup>2)</sup>	DRQD-B-16/20	-	M5	-	-	2	-	-	M5x25 <sup>3)</sup>	3	-	-
							-	150 927	ZBH-9 <sup>3)</sup>	3	10	
HMP-32	DRQD-B-25	50	M5	14	110	2	177 657	HMSV-11	-	-	-	-
	DRQD-B-20				133		177 659	HMSV-13	-	-	-	
	DRQD-B-25				177 661		HMSV-15	-	-	-		
	DRQD-B-32				177 663		HMSV-17	-	-	-		

- 1) Corrosion resistance class 2 as per Festo standard 940 070  
Components subject to moderate corrosion stress. Externally visible parts with primarily decorative surface requirements which are in direct contact with a normal industrial environment or media such as coolants or lubricating agents.
- 2) HME: Horizontal mounting position, vertical on request
- 3) The screws and centring sleeves listed are not included in the scope of delivery of the drives
- 4) Packaging unit quantity

# HMP, HME/DRQD connections

Technical data

**Dimensions and ordering data** Download CAD data → [www.festo.com](http://www.festo.com)

**Dovetail mounting**

**HMSV-1**

1 Linear module HMP, HME<sup>2)</sup>  
2 Semi-rotary drive DRQD-SD  
4 Dovetail clamp

**HMSV-10/-11/-13/-15/-17**

1 Linear module HMP, HME<sup>2)</sup>  
2 Semi-rotary drive DRQD

Adapter kit HMSV, comprising:

3 Adapter plate  
4 Dovetail clamp

Drive	Drive	B1	B2	B3	D1	H1	L1	L2	CRC <sup>1)</sup>	Part No.	Type
HMP-16/20/25/32 HME-16 <sup>2)</sup>	DRQD-B-16/20 (SD32, SD42)	-	51	46	M5	10	80	-	2	<b>177 647</b>	<b>HMSV-1</b>
HMP-16/20/25 HME-16/25 <sup>2)</sup>	DRQD-B-16/20	40	51	46	M5	22	85	80	2	<b>177 656</b>	<b>HMSV-10</b>
HMP/HME-25 <sup>2)</sup>	DRQD-B-25	50				110	100	<b>177 657</b>		<b>HMSV-11</b>	
HMP-32	DRQD-B-20					100	<b>177 649</b>	<b>HMSV-3</b>			
	DRQD-B-25					100	<b>177 659</b>	<b>HMSV-13</b>			
	DRQD-B-32					120	<b>177 661</b>	<b>HMSV-15</b>			
										<b>177 653</b>	<b>HMSV-7</b>
					<b>177 663</b>	<b>HMSV-17</b>					
					<b>177 653</b>	<b>HMSV-7</b>					

1) Corrosion resistance class 2 as per Festo standard 940 070  
Components subject to moderate corrosion stress. Externally visible parts with primarily decorative surface requirements which are in direct contact with a normal industrial environment or media such as coolants or lubricating agents.

2) HME: Horizontal mounting position, vertical on request

# HMP, HME/DSL connections

Technical data

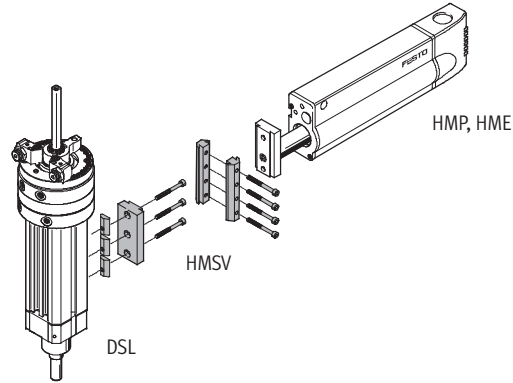
## Adapter kit HMSV

Material:

Wrought aluminium alloy, anodised

Slot nuts: Tempered steel

Free of copper, PTFE and silicone

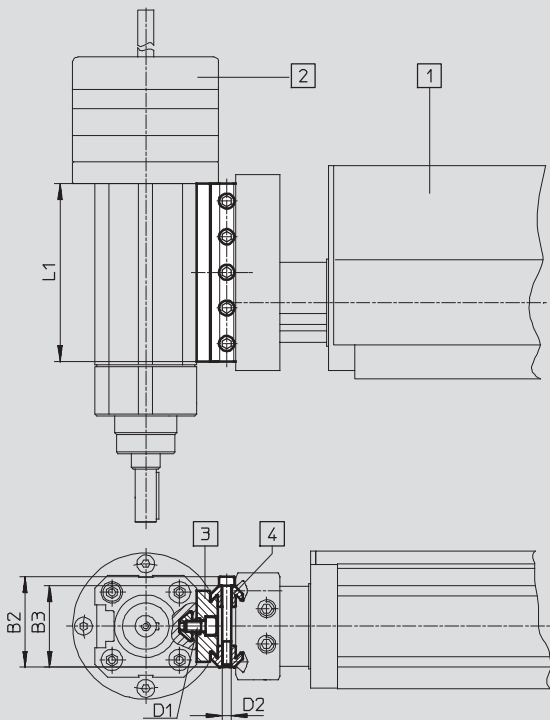


Dovetail mounting

## Dimensions and ordering data

Download CAD data → [www.festo.com](http://www.festo.com)

Dovetail mounting



- 1 Linear module HMP, HME
  - 2 Swivel/linear unit DSL
- Adapter kit HMSV, comprising:
- 3 Adapter plate
  - 4 Dovetail clamp

Drive	Drive	B2	B3	D1	D2	L1	CRC <sup>1)</sup>	Part No.	Type
HMP-16/20/25	DSL-16	51	46	M5	M5	80	2	177 649	HMSV-3
HME-16/25								163 214	HAPB-15
HMP-20/25	DSL-20								
HME-25									
HMP/HME-25	DSL-25			M6		100		177 649	HMSV-3
HMP-32	DSL-20/25/32							163 215	HAPB-16

1) Corrosion resistance class 2 as per Festo standard 940 070

Components subject to moderate corrosion stress. Externally visible parts with primarily decorative surface requirements which are in direct contact with a normal industrial environment or media such as coolants or lubricating agents.

# DGSL/DGSL connections

Technical data

FESTO

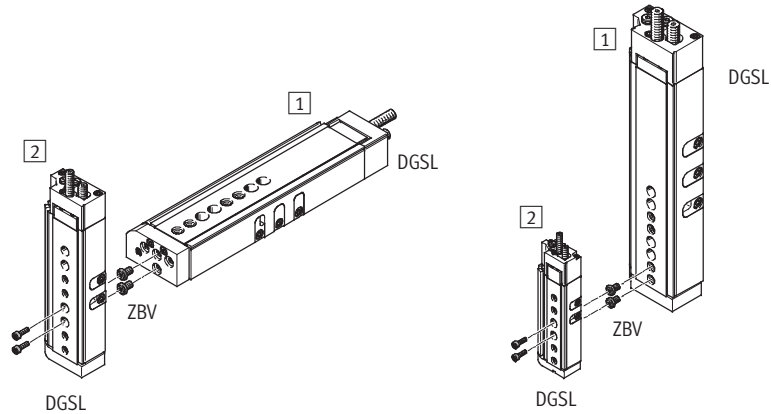
## Adapter kit

Material:

Centring sleeves and connecting

sleeves: High-alloy steel

Free of copper, PTFE and silicone



Direct mounting

Direct mounting

Ordering data		Download CAD data → <a href="http://www.festo.com">www.festo.com</a>				
Drive 1	Drive 2	CRC <sup>1)</sup>	Part No.	Type	Required quantity	PU <sup>4)</sup>
DGSL-4	DGSL-4	2	–	M3x7 <sup>2)</sup>	2	–
			189 652	ZBH-5 <sup>3)</sup>	2	10
DGSL-6	DGSL-4/-6		–	M3x10 <sup>2)</sup>	2	–
			189 652	ZBH-5 <sup>3)</sup>	2	10
DGSL-8/-10	DGSL-4/-6		548 802	ZBV-M4-7	1	3
DGSL-8/-10	DGSL-8		–	M4x12 <sup>2)</sup>	2	–
			186 717	ZBH-7 <sup>3)</sup>	2	10
DGSL-10	DGSL-10		–	M4x14 <sup>2)</sup>	3	–
			186 717	ZBH-7 <sup>3)</sup>	3	10
DGSL-12/-16	DGSL-8/-10		548 803	ZBV-M5-7	1	3
DGSL-12	DGSL-12		–	M5x14 <sup>2)</sup>	3	–
			186 717	ZBH-7 <sup>3)</sup>	3	10
DGSL-16	DGSL-12		–	M5x16 <sup>2)</sup>	3	–
			186 717	ZBH-7 <sup>3)</sup>	3	10
DGSL-16	DGSL-16		–	M5x18 <sup>2)</sup>	3	–
			186 717	ZBH-7 <sup>3)</sup>	3	10
DGSL-20/-25	DGSL-12/-16	548 804	ZBV-M6-9	1	3	
DGSL-20/-25	DGSL-20	–	M6x20 <sup>2)</sup>	3	–	
		150 927	ZBH-9 <sup>3)</sup>	3	10	
DGSL-25	DGSL-25	–	M6x30 <sup>2)</sup>	3	–	
		150 927	ZBH-9 <sup>3)</sup>	3	10	

1) Corrosion resistance class 2 as per Festo standard 940 070

Components subject to moderate corrosion stress. Externally visible parts with primarily decorative surface requirements which are in direct contact with a normal industrial environment or media such as coolants or lubricating agents.

2) The screws listed are not included in the scope of delivery of the drives

3) The centring sleeves are included in the scope of delivery of the drives

4) Packaging unit quantity

# DGSL/DRQD connections

Technical data

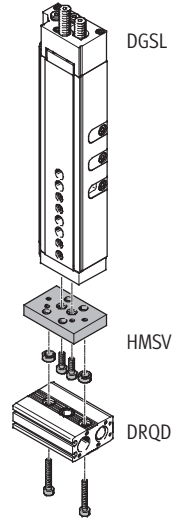
## Adapter kit HMSV

Material:

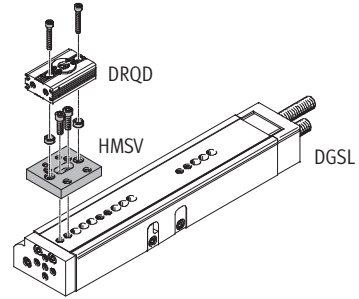
Wrought aluminium alloy, anodised

Centring sleeves: High-alloy steel

Free of copper, PTFE and silicone



Direct mounting on yoke plate

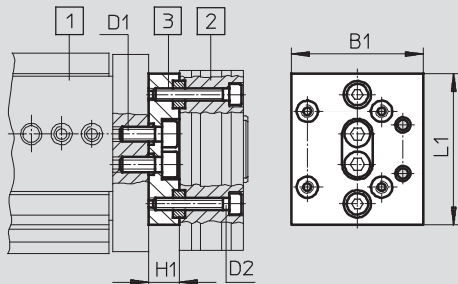


Direct mounting on slide

## Dimensions and ordering data

Download CAD data → [www.festo.com](http://www.festo.com)

Direct mounting



- 1 Mini slide DGSL
- 2 Semi-rotary drive DRQD
- 3 Adapter plate HMSV

Drive	Drive	B1	D1	D2	H1	L1	CRC <sup>1)</sup>	Part No.	Type
<b>Direct mounting on yoke plate</b>									
DGSL-4/6	DRQD-6	17	M3	M3	8	40	2	548 783	HMSV-53
DGSL-8/10	DRQD-8/12	33	M4	M3	9	50		548 784	HMSV-54
DGSL-12/16	DRQD-8/12	43,5	M6	M4	10	100	2	548 785	HMSV-55
DGSL-20/25	DRQD-B-16/20	73			12			548 786	HMSV-56
<b>Direct mounting on slide</b>									
DGSL-8/10	DRQD-8/12	33	M4	M3	9	50	2	548 784	HMSV-54
DGSL-12/16	DRQD-8/12	43.5	M6	M4	10			548 785	HMSV-55
DGSL-20/25	DRQD-B-16/20	73			12	100	548 786	HMSV-56	

1) Corrosion resistance class 2 as per Festo standard 940 070

Components subject to moderate corrosion stress. Externally visible parts with primarily decorative surface requirements which are in direct contact with a normal industrial environment or media such as coolants or lubricating agents.

# DGSL/ERMB connections

Technical data

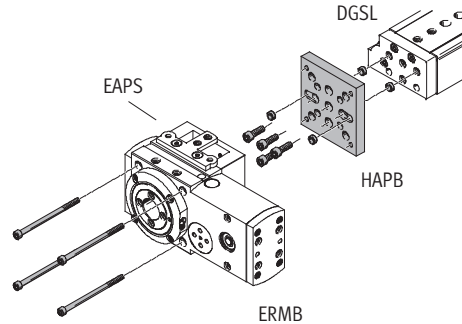
## Adapter kit HAPB

Material:

Wrought aluminium alloy, anodised

Centring sleeves: High-alloy steel

Free of copper, PTFE and silicone

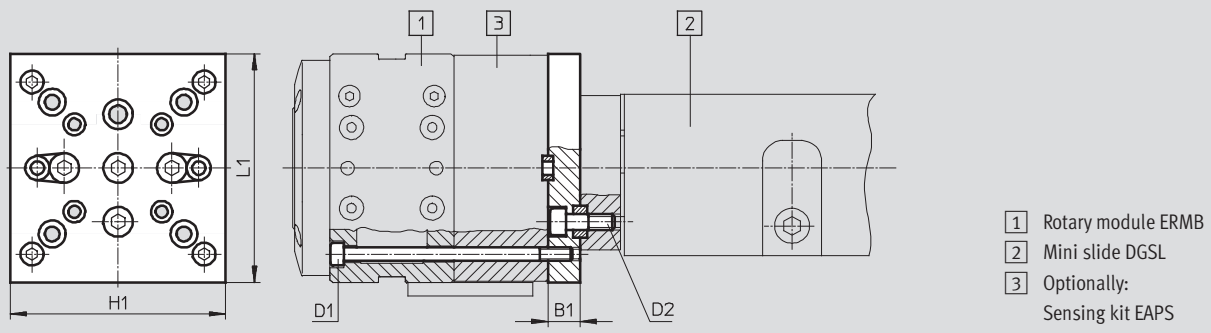


Direct mounting

## Dimensions and ordering data

Download CAD data → [www.festo.com](http://www.festo.com)

Direct mounting



Drive	Drive	Sensing kit	B1	D1	D2	H1	L1	CRC <sup>1)</sup>	Part No.	Type		
DGSL-16	ERMB-20	EAPS-...-20	17	M4	M5	50	72	2	558 306	HAPB-38		
DGSL-20/25					M6							
DGSL-20/25	ERMB-25	EAPS-...-25	12	M5	M6	80	85				558 307	HAPB-39
DGSL-25	ERMB-32	EAPS-...-32	12	M5	M6	100	115				558 308	HAPB-40

1) Corrosion resistance class 2 as per Festo standard 940 070

Components subject to moderate corrosion stress. Externally visible parts with primarily decorative surface requirements which are in direct contact with a normal industrial environment or media such as coolants or lubricating agents.

# SLT, SLTE/SLT, SLTE connections

Technical data

## Adapter kit

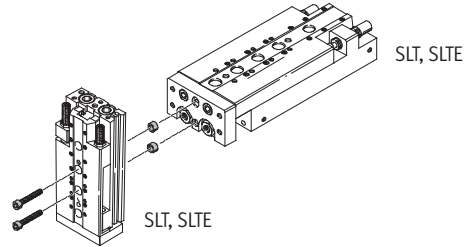
(user configured)

Material:

to DIN 912

Centring sleeves: High-alloy steel

Free of copper, PTFE and silicone

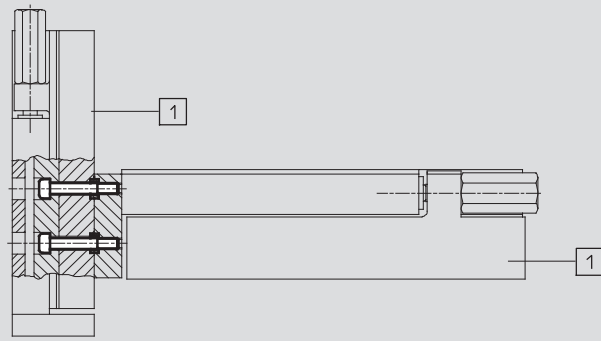


Direct mounting

## Dimensions and ordering data

Download CAD data → [www.festo.com](http://www.festo.com)

Direct mounting



1 Mini slide SLT, SLTE

Drive	Drive	Part No.	Type	Required quantity	PU <sup>2)</sup>
SLT/SLTE-10	SLT-6	–	M3x20 DIN 912 <sup>1)</sup>	2	–
		189 652	ZBH-5	2	10
SLT/SLTE-16	SLT/SLTE-10	–	M4x25 DIN 912 <sup>1)</sup>	2	–
		186 717	ZBH-7	2	10
SLT-20	SLT/SLTE-16	–	M5x30 DIN 912 <sup>1)</sup>	2	–
		150 927	ZBH-9	2	10
SLT-25	SLT-20	–	M6x40 DIN 912 <sup>1)</sup>	2	–
		189 653	ZBH-12	2	10

1) The screws listed are not included in the scope of delivery of the drives

2) Packaging unit quantity



# SLT, SLTE/DRQD connections

Technical data

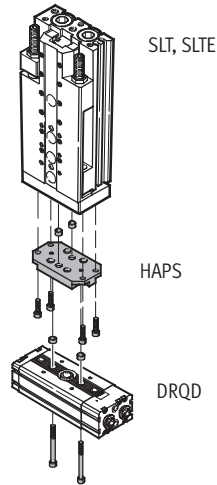
## Adapter kit HAPS

Material:

Wrought aluminium alloy, anodised

Centring sleeves: High-alloy steel

Free of copper, PTFE and silicone

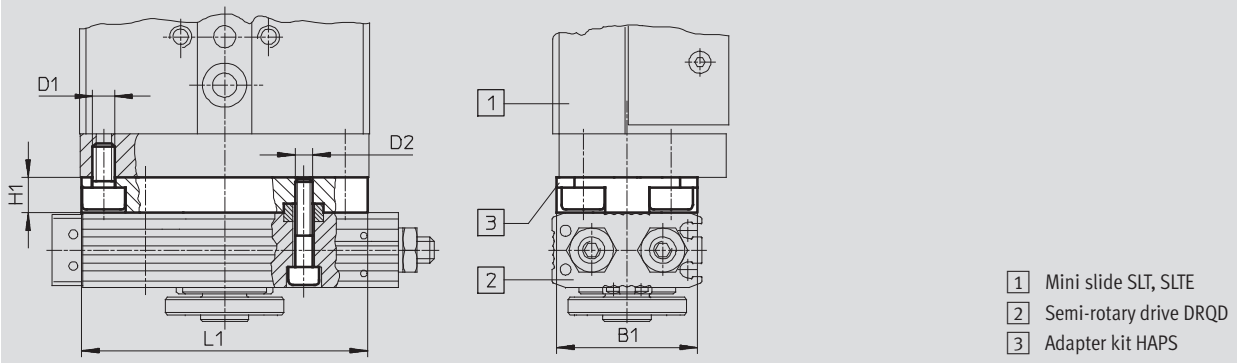


Direct mounting

## Dimensions and ordering data

Download CAD data → [www.festo.com](http://www.festo.com)

Direct mounting



Drive	Drive	B1	D1	D2	H1	L1	CRC <sup>1)</sup>	Part No.	Type
SLT-6	DRQD-6	16	M3	M4	8	36	2	178 447	HAPS-1
SLT/SLTE-10	DRQD-8	28	M4			48		178 448	HAPS-2
SLT/SLTE-16	DRQD-12	32	M5	M5	10	65		178 449	HAPS-3
SLT-20	DRQD-B-16/20	44				80		178 450	HAPS-4
SLT-25	DRQD-B-16/20	58	M8	M6	12	91		178 451	HAPS-5

1) Corrosion resistance class 2 as per Festo standard 940 070

Components subject to moderate corrosion stress. Externally visible parts with primarily decorative surface requirements which are in direct contact with a normal industrial environment or media such as coolants or lubricating agents.

# SLT/ERMB connections

Technical data

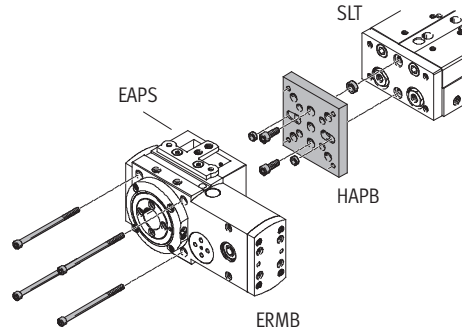
## Adapter kit HAPB

Material:

Wrought aluminium alloy, anodised

Centring sleeves: High-alloy steel

Free of copper, PTFE and silicone

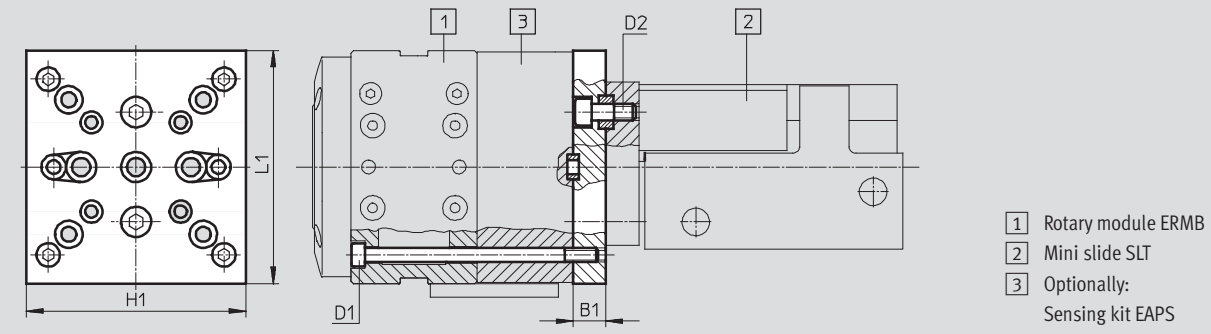


Direct mounting

## Dimensions and ordering data

Download CAD data → [www.festo.com](http://www.festo.com)

Direct mounting



Drive	Drive	Sensing kit	B1	D1	D2	H1	L1	CRC <sup>1)</sup>	Part No.	Type
SLT-20	ERMB-20	EAPS-20	17	M4	M5	50	72	2	558 306	HAPB-38
SLT-25	ERMB-25	EAPS-25	12	M5	M6	80	85		558 307	HAPB-39

1) Corrosion resistance class 2 as per Festo standard 940 070

Components subject to moderate corrosion stress. Externally visible parts with primarily decorative surface requirements which are in direct contact with a normal industrial environment or media such as coolants or lubricating agents.

# SLG/DGSL connections

Technical data

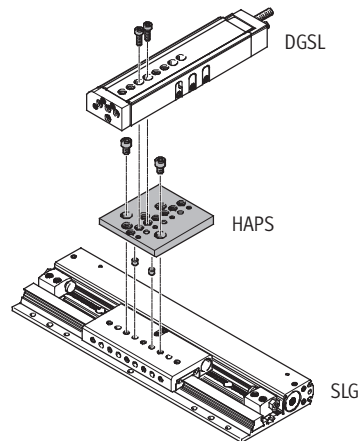
## Adapter kit HAPS

**Material:**

Wrought aluminium alloy, anodised

Centring sleeves: High-alloy steel

Free of copper, PTFE and silicone

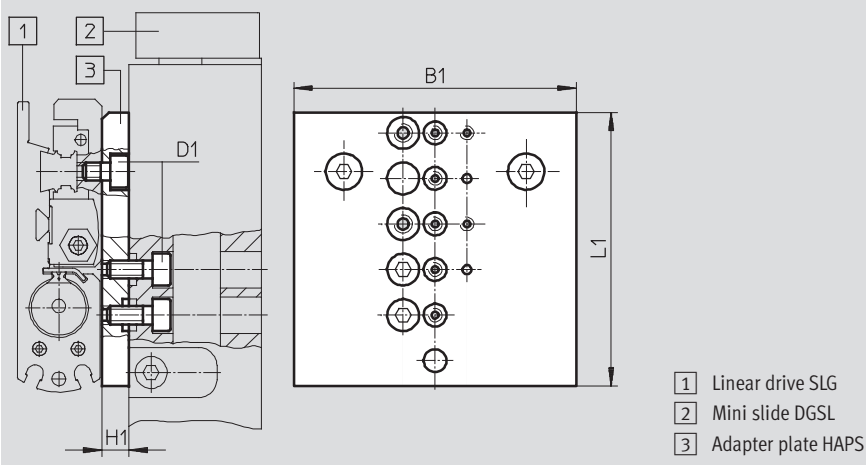


Direct mounting

## Dimensions and ordering data

Download CAD data → [www.festo.com](http://www.festo.com)

### Direct mounting



- 1 Linear drive SLG
- 2 Mini slide DGSL
- 3 Adapter plate HAPS

Drive	Drive	B1	D1	H1	L1	CRC <sup>1)</sup>	Part No.	Type
SLG-8	DGSL-4/6	62	M4	6	60	2	189 533	HAPS-11
SLG-12	DGSL-4/6/8/10							
SLG-18	DGSL-8/10/12	65	M5	8	80		189 534	HAPS-12

1) Corrosion resistance class 2 as per Festo standard 940 070

Components subject to moderate corrosion stress. Externally visible parts with primarily decorative surface requirements which are in direct contact with a normal industrial environment or media such as coolants or lubricating agents.

# SLG/SLT, SLTE connections

Technical data

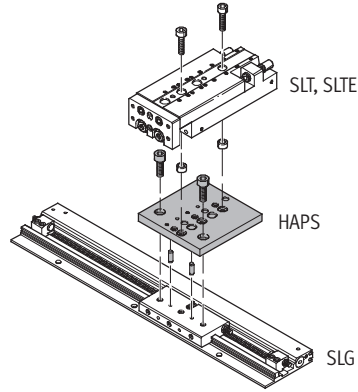
## Adapter kit HAPS

Material:

Wrought aluminium alloy, anodised

Centring sleeves: High-alloy steel

Free of copper, PTFE and silicone

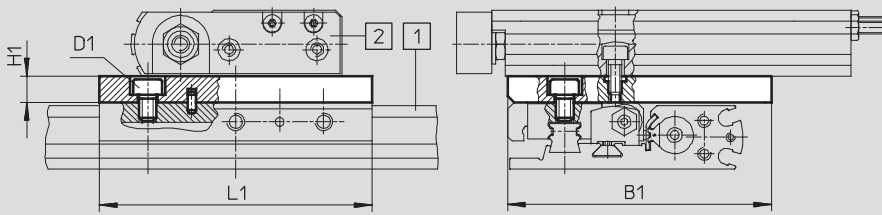


Direct mounting

## Dimensions and ordering data

Download CAD data → [www.festo.com](http://www.festo.com)

Direct mounting



- 1 Linear drive SLG
- 2 Mini slide SLT, SLTE

Drive	Drive	B1	D1	H1	L1	CRC <sup>1)</sup>	Part No.	Type
SLG-8	SLT-6	60	M4	6	42	2	189 533	HAPS-11
SLG-12	SLT-6/10 SLTE-10							
SLG-18	SLT/SLTE-10/16	70	M5	8	65		189 534	HAPS-12

1) Corrosion resistance class 2 as per Festo standard 940 070

Components subject to moderate corrosion stress. Externally visible parts with primarily decorative surface requirements which are in direct contact with a normal industrial environment or media such as coolants or lubricating agents.

# SLG/SLF connections

Technical data

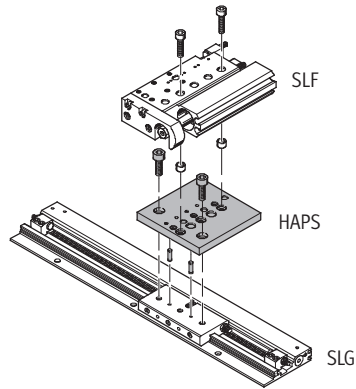
## Adapter kit HAPS

**Material:**

Wrought aluminium alloy, anodised

Centring sleeves: High-alloy steel

Free of copper, PTFE and silicone

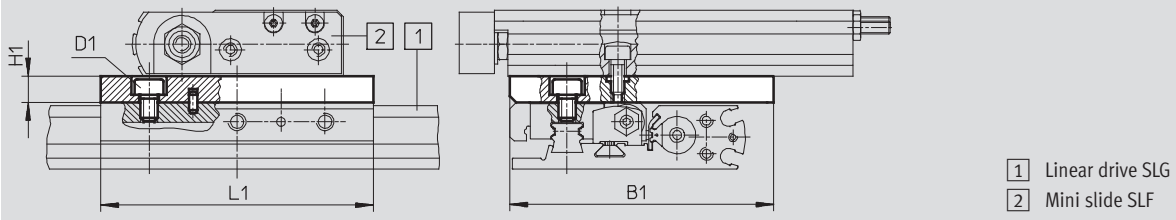


Direct mounting

## Dimensions and ordering data

Download CAD data → [www.festo.com](http://www.festo.com)

Direct mounting



Drive	Drive	B1	D1	H1	L1	CRC <sup>1)</sup>	Part No.	Type
SLG-8/12	SLF-6/10	60	M4	6	42	2	189 533	HAPS-11
SLG-12	SLF-16							
SLG-18	SLF-10/16	70	M5	8	65		189 534	HAPS-12

1) Corrosion resistance class 2 as per Festo standard 940 070  
 Components subject to moderate corrosion stress. Externally visible parts with primarily decorative surface requirements which are in direct contact with a normal industrial environment or media such as coolants or lubricating agents.

# DG.../HMP, HME connections

Technical data

## Adapter kit HMAV-DL

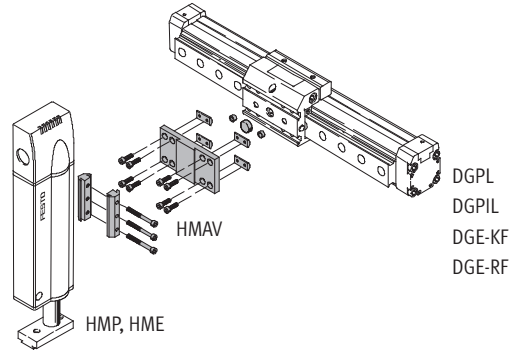
**Material:**

Wrought aluminium alloy, anodised

Centring sleeves: High-alloy steel

Slot nuts: Tempered steel

Free of copper, PTFE and silicone

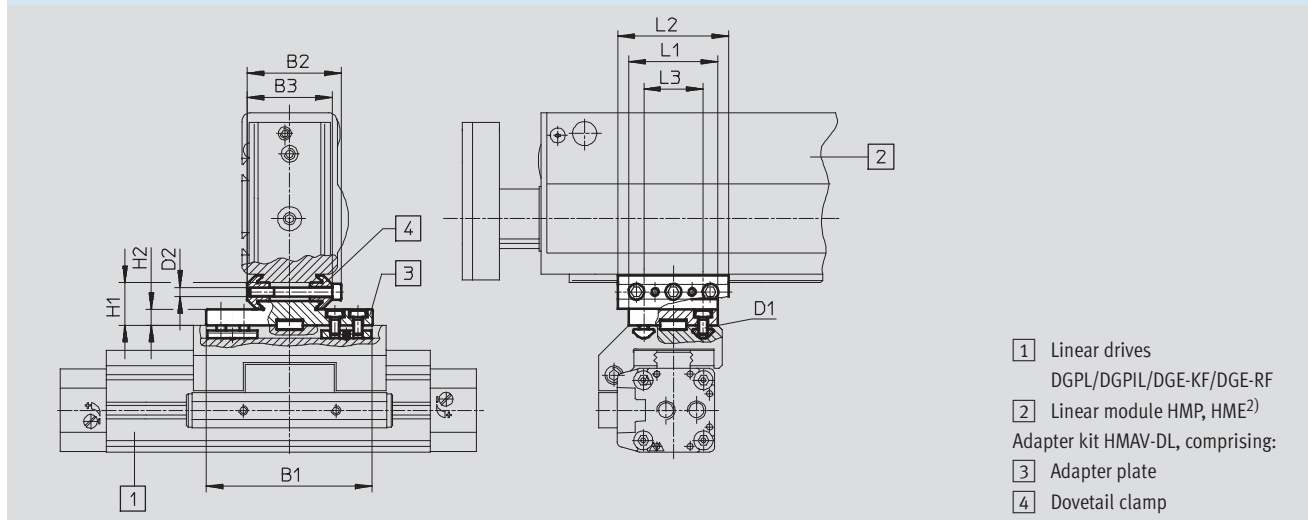


Dovetail mounting

## Dimensions and ordering data

Download CAD data → [www.festo.com](http://www.festo.com)

### Dovetail mounting



Drive	Drive	B1	B2	B3	D1	D2	H1	H2	L1	L2	L3	CRC <sup>1)</sup>	Part No.	Type		
DG...-25	HMP-16/20 HME-16 <sup>2)</sup>	90	51	46	M5	M5	23	8.5	48	60	32	2	176 005	HMAV-DL25		
DG...-32	HMP-16/20/25 HME-16/25 <sup>2)</sup>								63.5		47				176 006	HMAV-DL32
DG...-40	HMP-20/25/32 HME-16/25 <sup>2)</sup>								78		55					

1) Corrosion resistance class 2 as per Festo standard 940 070  
Components subject to moderate corrosion stress. Externally visible parts with primarily decorative surface requirements which are in direct contact with a normal industrial environment or media such as coolants or lubricating agents.

2) HME: Horizontal mounting position, vertical on request

# DG.../DGSL connections

Technical data

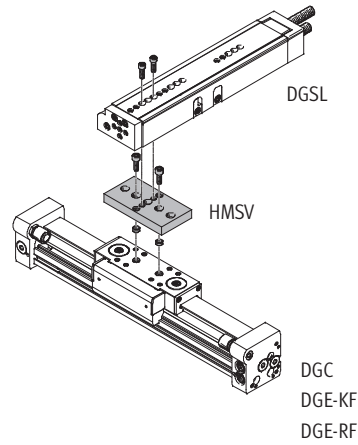
## Adapter kit HMSV

Material:

Wrought aluminium alloy, anodised

Centring sleeves: High-alloy steel

Free of copper, PTFE and silicone

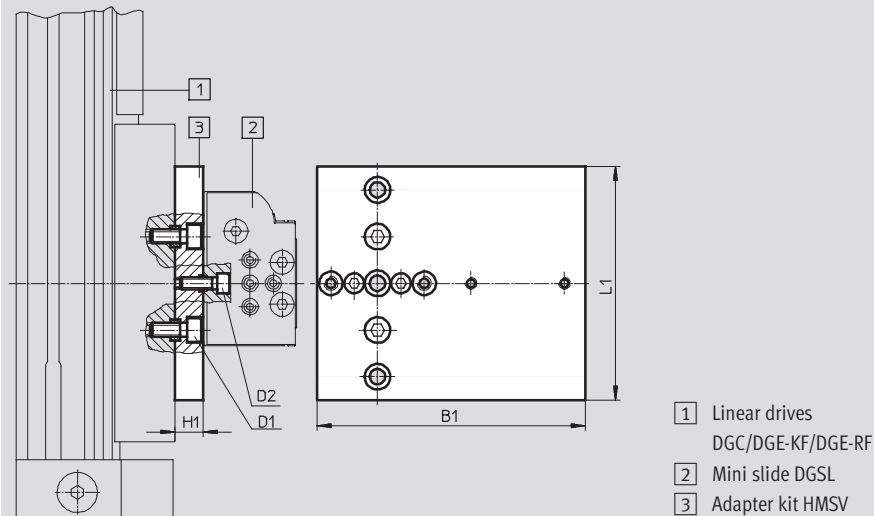


Direct mounting

## Dimensions and ordering data

Download CAD data → [www.festo.com](http://www.festo.com)

### Direct mounting



- 1) Linear drives  
DGC/DGE-KF/DGE-RF
- 2) Mini slide DGSL
- 3) Adapter kit HMSV

Drive	Drive	B1	D1	D2	H1	L1	CRC <sup>1)</sup>	Part No.	Type
DGC-8/12	DGSL-4/6	25	M4	M3	6	52	2	548 777	HMSV-47
DGC-18	DGSL-8/10	50	M5	M4	8	60		548 778	HMSV-48
DGC-18	DGSL-12/16	40		M5	12	80		189 657	HMSV-41
DG...-25	DGSL-12/16/20/25	100	M6	M6	13	115		548 781	HMSV-51
DGC-32/40	DGSL-20/25	60				100		548 780	HMSV-50
DGE-40-KF									
DGE-40-RF									

1) Corrosion resistance class 2 as per Festo standard 940 070

Components subject to moderate corrosion stress. Externally visible parts with primarily decorative surface requirements which are in direct contact with a normal industrial environment or media such as coolants or lubricating agents.

# DG.../SLT, SLTE connections

Technical data

## Adapter kit HMSV

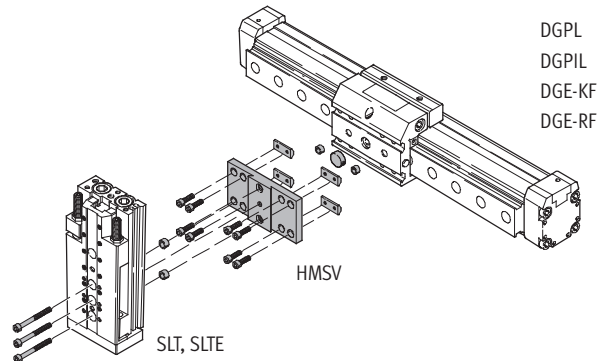
### Material:

Wrought aluminium alloy, anodised

Centring sleeves: High-alloy steel

Slot nuts: Tempered steel

Free of copper, PTFE and silicone

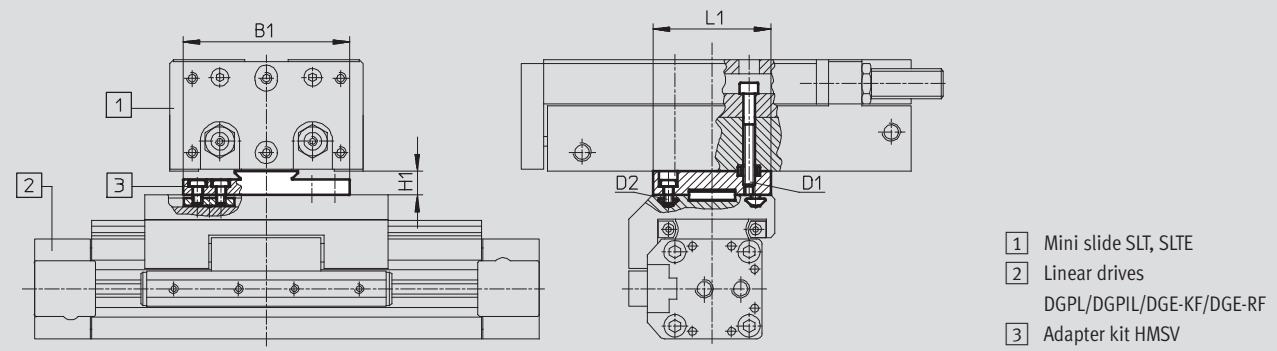


Dovetail mounting

## Dimensions and ordering data

Download CAD data → [www.festo.com](http://www.festo.com)

Dovetail mounting



Drive	Drive	B1	D1	D2	H1	L1	CRC <sup>1)</sup>	Part No.	Type
DG...-18	SLT/SLTE-10	80	M4	M5	12	40	2	189 656	HMSV-40
	SLT/SLTE-16		M5					189 657	HMSV-41
DG...-25	SLT/SLTE-16	90	M5		13	54		189 658	HMSV-42
	SLT-20							M6	189 659
DG...-32	SLT-20		63.5	M6	13	63.5		189 660	HMSV-44
	SLT-25							189 661	HMSV-45

1) Corrosion resistance class 2 as per Festo standard 940 070

Components subject to moderate corrosion stress. Externally visible parts with primarily decorative surface requirements which are in direct contact with a normal industrial environment or media such as coolants or lubricating agents.



# DG.../DRQD connections

Technical data

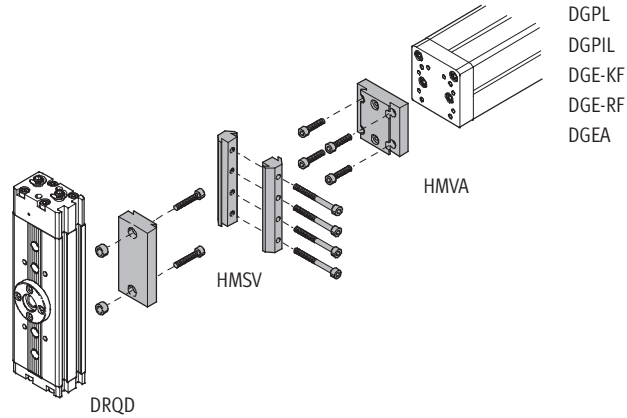
## Adapter kit HMAV, HMSV

**Material:**

Wrought aluminium alloy, anodised

Centring sleeves: High-alloy steel

Free of copper, PTFE and silicone

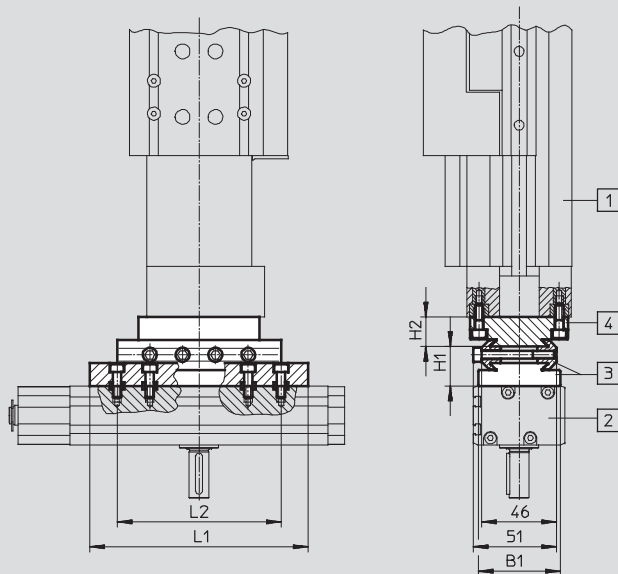


Dovetail mounting

## Dimensions

Download CAD data → [www.festo.com](http://www.festo.com)

Dovetail mounting



- 1 Linear drives  
DGPL/DGPIL/DGE-KF/DGE-RF/  
DGEA
- 2 Semi-rotary drive DRQD
- 3 Adapter kit HMSV
- 4 Adapter kit HMAV

## DG.../DRQD connections

Technical data

**FESTO**

Dimensions and ordering data									
Drive	Drive	B1	H1	H2	L1	L2	CRC <sup>1)</sup>	Part No.	Type
Dovetail mounting									
DRQD-B-16/20	DGEA-18	40	22	14	85	80	2	196 788	HMVA-DLA18/25
	DG...-25/32/40							177 656	HMSV-10
DRQD-B-20	DG...-40	40	22	18	85	80		196 790	HMVA-DLA40
								177 656	HMSV-10
DRQD-B-25	DGEA-18	50	24	18	110	100		196 788	HMVA-DLA18/25
	DG...-25							177 657	HMSV-11
	DG...-40							177 649	HMSV-3
								196 790	HMVA-DLA40
DRQD-B-32	DG...-40	50	24	18	133	120		177 657	HMSV-11
								177 649	HMSV-3
							196 790	HMVA-DLA40	
							177 663	HMSV-17	
							177 653	HMSV-7	

1) Corrosion resistance class 2 as per Festo standard 940 070

Components subject to moderate corrosion stress. Externally visible parts with primarily decorative surface requirements which are in direct contact with a normal industrial environment or media such as coolants or lubricating agents.

# DGEA/ERMB connections

Technical data

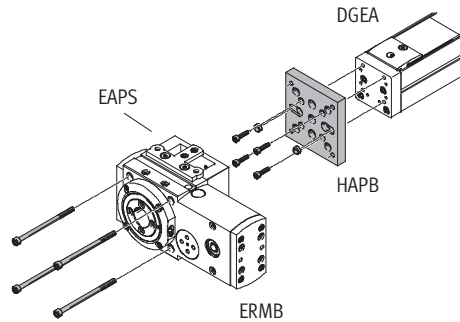
## Adapter kit HAPB

Material:

Wrought aluminium alloy, anodised

Centring sleeves: High-alloy steel

Free of copper, PTFE and silicone

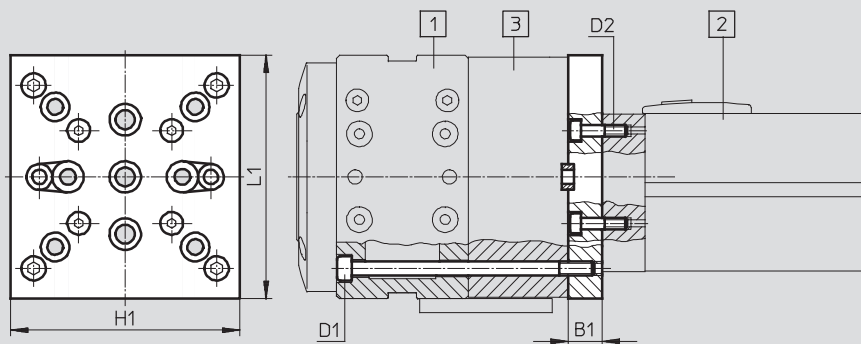


Direct mounting

## Dimensions and ordering data

Download CAD data → [www.festo.com](http://www.festo.com)

Direct mounting



- 1 Rotary module ERMB
- 2 Cantilever axis DGEA
- 3 Optionally:  
Adapter kit EAPS

Drive	Drive	Sensing kit	B1	D1	D2	H1	L1	CRC <sup>1)</sup>	Part No.	Type
DGEA-18/25	ERMB-20	EAPS-...-20	17	M4	M4	50	72	2	558 306	HAPB-38
DGEA-25	ERMB-25	EAPS-...-25	12	M5	M4	80	85		558 307	HAPB-39
DGEA-40					M5				558 308	HAPB-40
DGEA-40	ERMB-32	EAPS-...-32	12	M5	M5	100	115			

1) Corrosion resistance class 2 as per Festo standard 940 070  
Components subject to moderate corrosion stress. Externally visible parts with primarily decorative surface requirements which are in direct contact with a normal industrial environment or media such as coolants or lubricating agents.

# DG.../DG... connections

Technical data

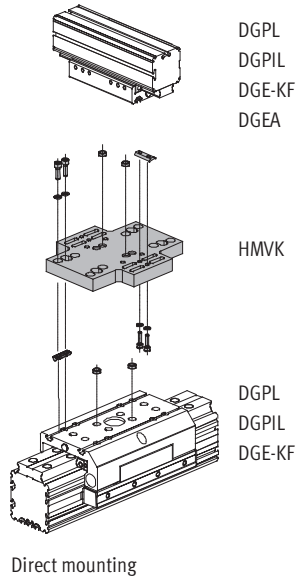


## Cross connecting kit HMVK

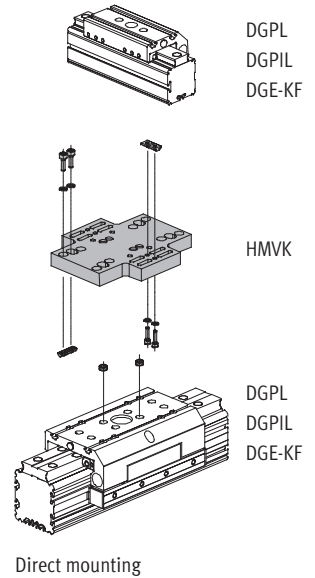
### Material:

Wrought aluminium alloy, anodised  
 Centring sleeves: High-alloy steel  
 Slot nuts: Tempered steel  
 Free of copper, PTFE and silicone

### Slide/slide mounting



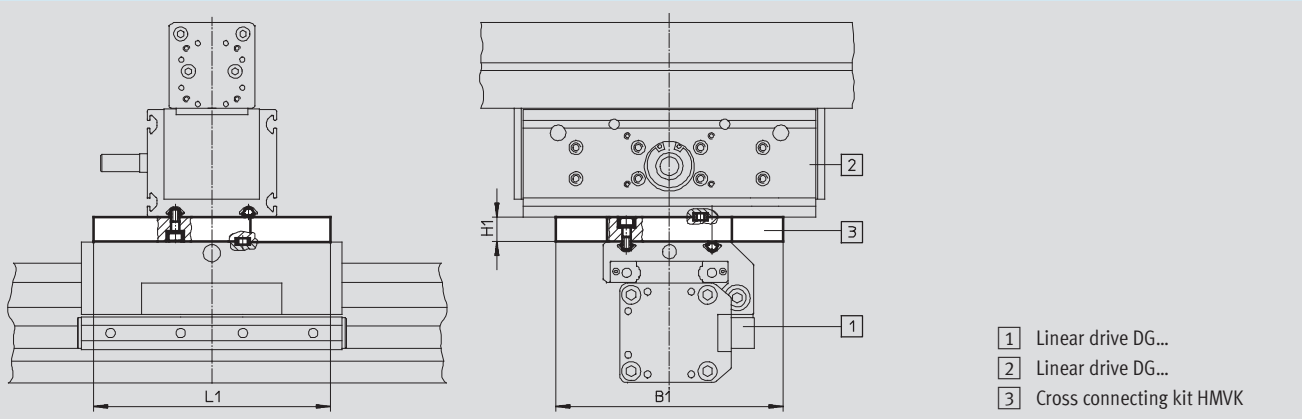
### Slide/profile mounting



## Dimensions and ordering data

Download CAD data → [www.festo.com](http://www.festo.com)

### Direct mounting



Drive 1	Drive 2	B1	H1	L1	CRC <sup>1)</sup>	Part No.	Type
<b>Direct slide/slide mounting</b>							
DG...-25	DG...-18/25	105	12	105	2	196 779	HMVK-DL25-DL18/25
DG...-32	DG...-25	146	16	152		196 781	HMVK-DL32/40-DLA18-32
DG...-40	DG...-25/32						
DG...-40	DGEA-18/25	192	23	230	2	196 783	HMVK-DL63-DLA25/40
DG...-63	DG...-40						
DG...-63	DGEA-25/40						
<b>Direct slide/profile mounting</b>							
DG...-18	DG...-18	105	12	105	2	196 780	HMVK-DL18/25-DL-18/25
DG...-25	DG...-25						
DG...-32/40	DG...-25	192	23	230	2	196 782	HMVK-DL32/40-DL25
DG...-40	DG...-32/40	146	16	152	2	196 781	HMVK-DL-32/40-DLA18-32

1) Corrosion resistance class 2 as per Festo standard 940 070

Components subject to moderate corrosion stress. Externally visible parts with primarily decorative surface requirements which are in direct contact with a normal industrial environment or media such as coolants or lubricating agents.

# DG.../DFM connections

Technical data

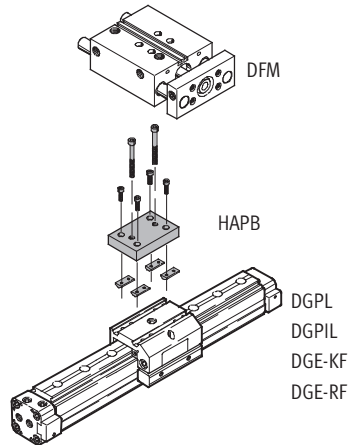
## Adapter kit HAPB

Material:

Wrought aluminium alloy, anodised

Slot nuts: Tempered steel

Free of copper, PTFE and silicone

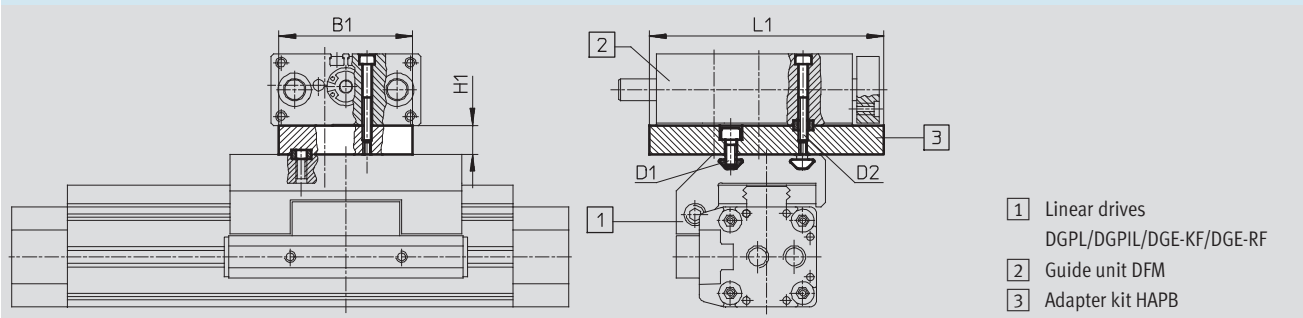


Direct mounting

## Dimensions and ordering data

Download CAD data → [www.festo.com](http://www.festo.com)

Direct mounting



Drive	Drive	B1	D1	D2	H1	L1	CRC <sup>1)</sup>	Part No.	Type
DG...-25	DFM-12/16	60	M5	M4	13	105	2	192 690	HAPB-12/16
DG...-32	DFM-20/25	83		M5		115		192 691	HAPB-20/25
DG...-40	DFM-32/40	110		M6	132	192 692		HAPB-32/40	

1) Corrosion resistance class 2 as per Festo standard 940 070

Components subject to moderate corrosion stress. Externally visible parts with primarily decorative surface requirements which are in direct contact with a normal industrial environment or media such as coolants or lubricating agents.

# DG.../DSL connections

Technical data

## Adapter kit HAPB, connecting kit HAVB

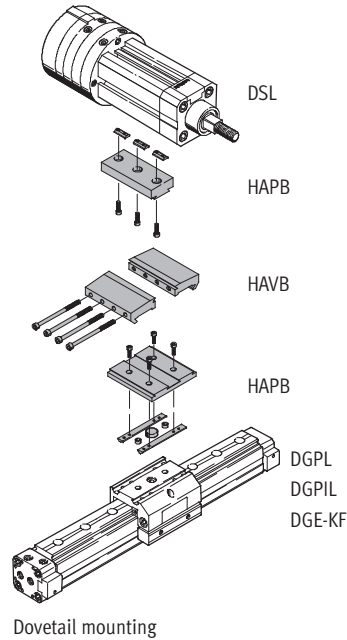
**Material:**

Wrought aluminium alloy, anodised

Centring sleeves: High-alloy steel

Slot nuts: Tempered steel

Free of copper, PTFE and silicone



Ordering data		Download CAD data → <a href="http://www.festo.com">www.festo.com</a>	
Drive	Drive	CRC <sup>1)</sup>	Part No. Type <sup>2)</sup>
Dovetail mounting			
DG...-25	DSL-16/20	2	163 214 HAPB-15
			163 244 HAVB-8
			163 202 HAPB-3
DSL-25	163 215 HAPB-16		
	163 244 HAVB-8		
	163 202 HAPB-3		
DG...-32	DSL-20	163 214 HAPB-15	
		163 244 HAVB-8	
		163 203 HAPB-4	
DSL-25/32	163 215 HAPB-16		
	163 244 HAVB-8		
	163 203 HAPB-4		
DG...-40	DSL-25/32	163 215 HAPB-16	
		163 244 HAVB-8	
		163 204 HAPB-5	

1) Corrosion resistance class 2 as per Festo standard 940 070

Components subject to moderate corrosion stress. Externally visible parts with primarily decorative surface requirements which are in direct contact with a normal industrial environment or media such as coolants or lubricating agents.

2) Dimensions from → 31

# Drive/drive connectors

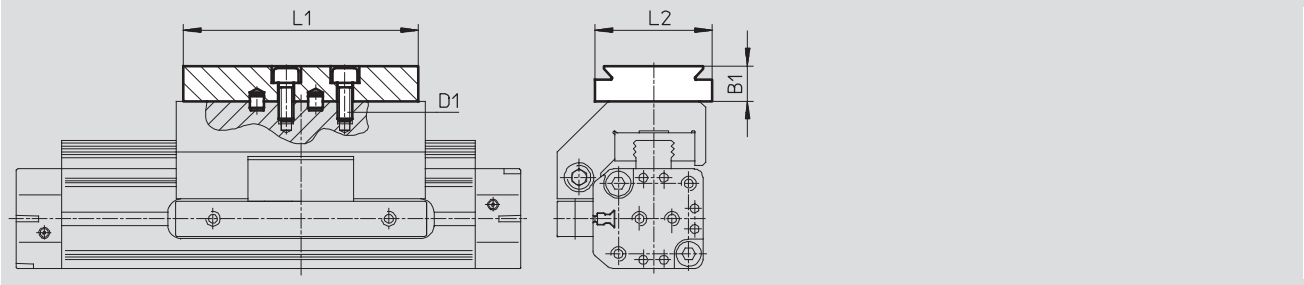
Technical data

FESTO

## Dimensions

Download CAD data → [www.festo.com](http://www.festo.com)

Dovetail mounting

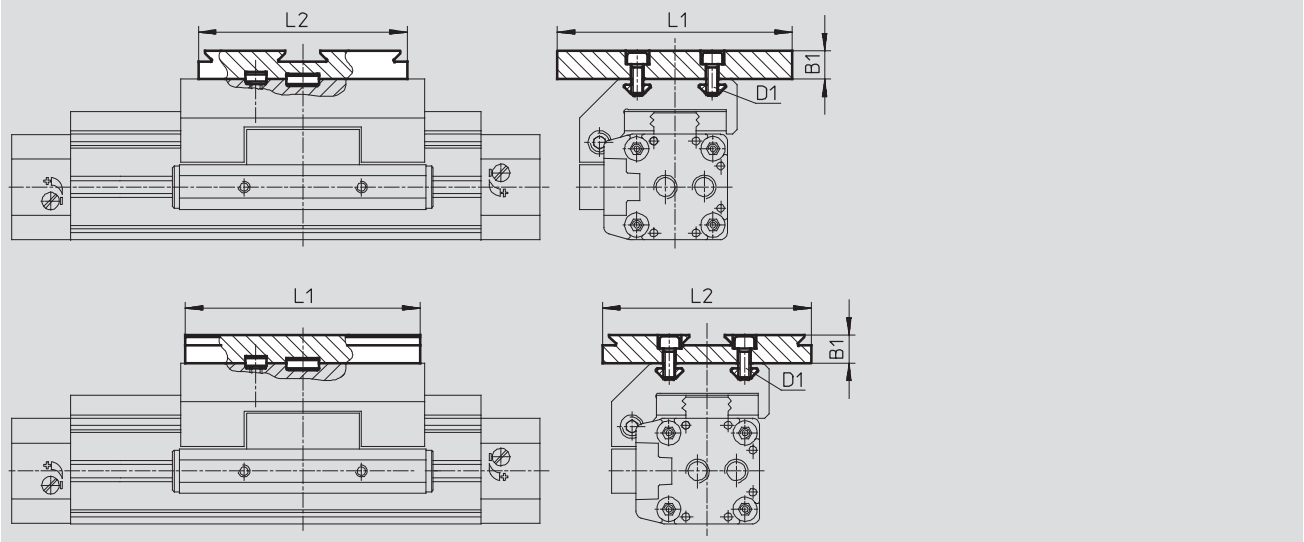


Type	B1	D1	L1	L2	CRC <sup>1)</sup>
HAPB-2		M5	80		2

## Dimensions

Download CAD data → [www.festo.com](http://www.festo.com)

Dovetail mounting



Type	B1	D1	L1	L2	CRC <sup>1)</sup>
HAPB-3					2
HAPB-4	12	M5	100	89	2
HAPB-5					2

1) Corrosion resistance class 2 as per Festo standard 940 070  
 Components subject to moderate corrosion stress. Externally visible parts with primarily decorative surface requirements which are in direct contact with a normal industrial environment or media such as coolants or lubricating agents.

# Drive/drive connectors

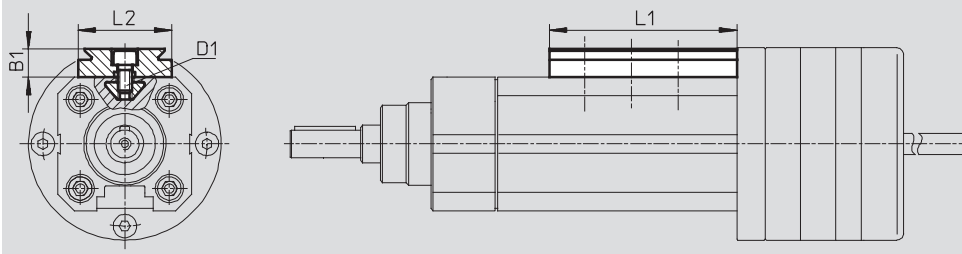
Technical data

FESTO

## Dimensions

Download CAD data → [www.festo.com](http://www.festo.com)

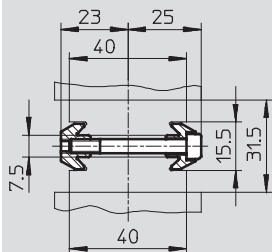
### Dovetail mounting



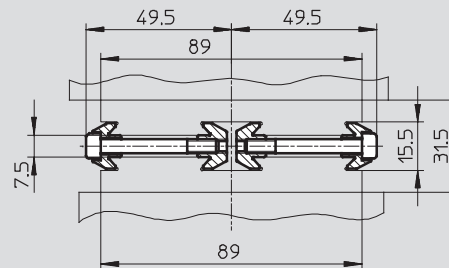
Type	B1	D1	L1	L2	CRC <sup>1)</sup>
HAPB-15	12	M5	80	40	2
HAPB-16		M6			2

### Dovetail mounting

#### Assembly of two adapter kits with one connecting kit



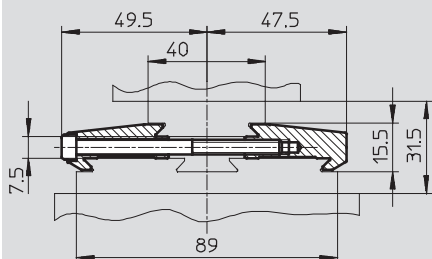
#### Assembly of two adapter kits with two connecting kits



Type	Length L1 <sup>1)</sup> [mm]	CRC <sup>2)</sup>
HAVB-3	60	2
HAVB-5	100	2

### Dovetail mounting

#### Assembly of two adapter kits with one connecting kit



Type	Length L1 <sup>1)</sup> [mm]	CRC <sup>2)</sup>
HAVB-8	80	2

1) Length of the connecting kit: compare with length L1 of the adapter kits HAPB.

2) Corrosion resistance class 2 as per Festo standard 940 070

Components subject to moderate corrosion stress. Externally visible parts with primarily decorative surface requirements which are in direct contact with a normal industrial environment or media such as coolants or lubricating agents.



# EGSA/EGSA connections

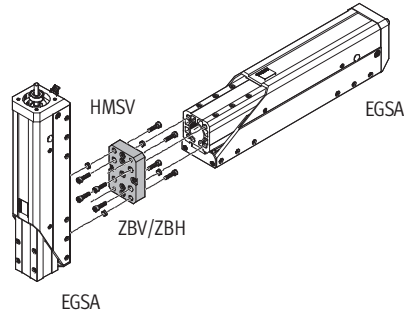
Technical data

## Adapter kit HMSV

Material:

Centring sleeves and connecting sleeves: High-alloy steel

Free of copper, PTFE and silicone

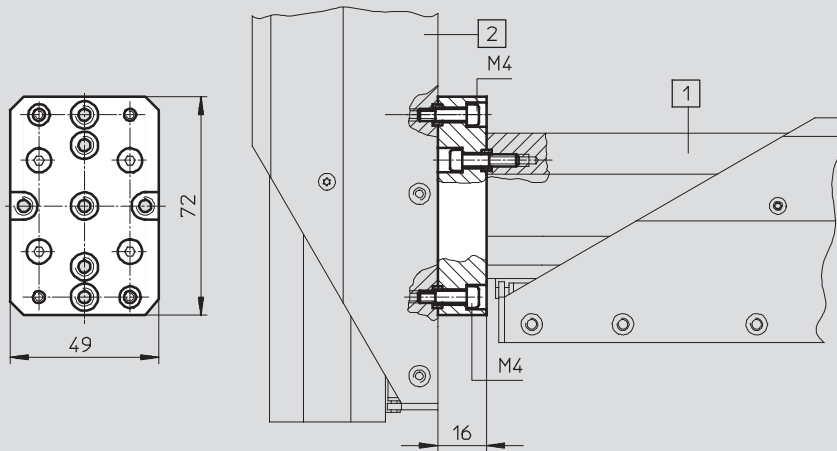


Direct mounting

## Dimensions and ordering data

Download CAD data → [www.festo.com](http://www.festo.com)

Direct mounting



- 1 Spindle driven cantilever axis EGSA
- 2 Spindle driven cantilever axis EGSA
- 3 Connecting sleeve ZBV
- 4 Adapter plate HMSV

Drive	Drive	CRC <sup>1)</sup>	Part No.	Type
1	2			
EGSA-60	EGSA-50	2	560 019	HMSV-63

1) Corrosion resistance class 2 as per Festo standard 940 070

Components subject to moderate corrosion stress. Externally visible parts with primarily decorative surface requirements which are in direct contact with a normal industrial environment or media such as coolants or lubricating agents.

# EGSA/DGSL connections

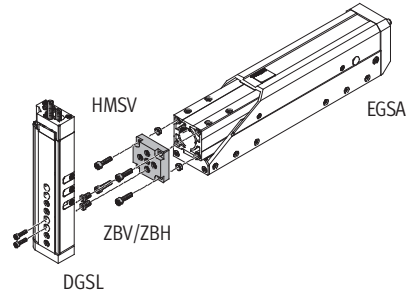
Technical data

## Adapter kit HMSV

Material:

Centring sleeves and connecting sleeves: High-alloy steel

Free of copper, PTFE and silicone

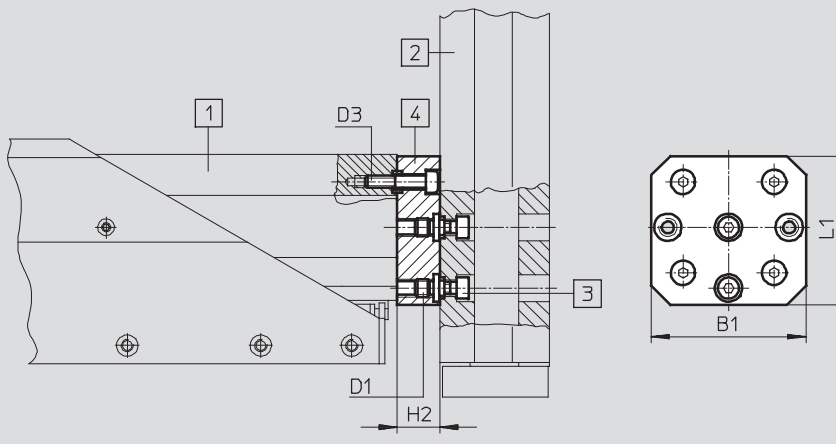


Direct mounting

## Dimensions and ordering data

Download CAD data → [www.festo.com](http://www.festo.com)

Direct mounting



- 1 Spindle driven cantilever axis  
EGSA
- 2 Mini slide DGSL
- 3 Connecting sleeve ZBV
- 4 Adapter plate HMSV

Drive	Drive	B1	D1	D3	H2	L1	Part No.	Type	Part No.	Type	Required quantity	PU <sup>3)</sup>
EGSA-50	DGSL-8/-10	40	M5	M4	12	38	560 017	HMSV-61	548 803	ZBV-M5-7	1	3
EGSA-50	DGSL-12						560 017	HMSV-61	–	M5x16 <sup>1)</sup>	3	–
							186 717	ZBH-7 <sup>2)</sup>	3	10		
EGSA-50	DGSL-16	51	M6	M4	14	49	560 017	HMSV-61	–	M5x18 <sup>1)</sup>	3	–
EGSA-60	DGSL-12/-16						548 804	ZBV-M6-9	1	3		
EGSA-60	DGSL-20						560 018	HMSV-62	–	M6x20 <sup>1)</sup>	3	–
							150 927	ZBH-9 <sup>2)</sup>	3	10		

1) The screws listed are not included in the scope of delivery of the drives

2) The centring sleeves are included in the scope of delivery of the drives

3) Packaging unit quantity

# EGSA/DRQD connections

Technical data

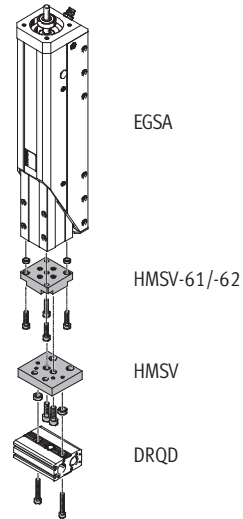
## Adapter kit HMSV

**Material:**

Wrought aluminium alloy, anodised

Centring sleeves: High-alloy steel

Free of copper, PTFE and silicone

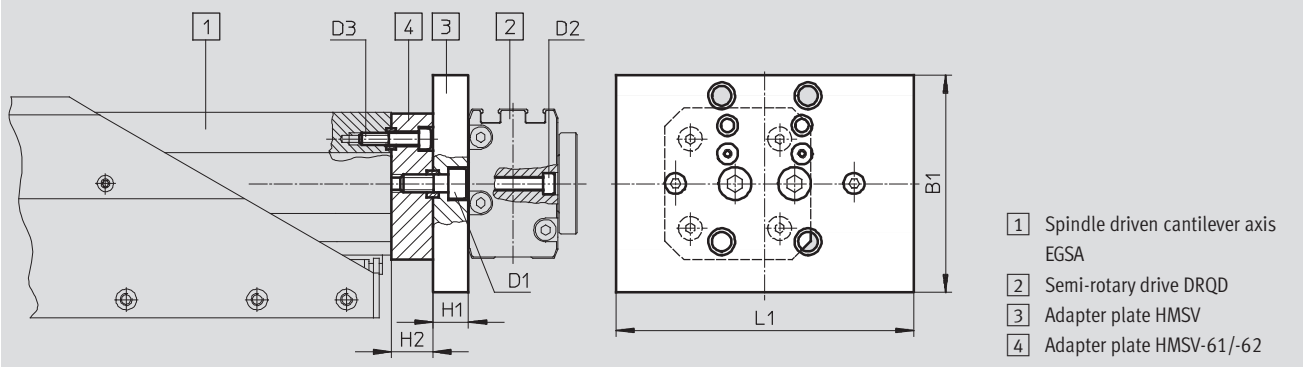


Direct mounting

## Dimensions and ordering data

Download CAD data → [www.festo.com](http://www.festo.com)

### Direct mounting



Drive	Drive	B1	D1	D2	D3	H1	H2	L1
EGSA-50	DRQD-8/12	43.5	M5	M4	M4	10	12	50
EGSA-60	DRQD-B-16/20	73	M6	M4	M4	12	14	100

Drive	Drive	CRC <sup>1)</sup>	Part No.	Type	Part No.	Type
EGSA-50	DRQD-8/12	2	560 017	HMSV-61	548 785	HMSV-55
EGSA-60	DRQD-B-16/20		560 018	HMSV-62	548 786	HMSV-56

1) Corrosion resistance class 2 as per Festo standard 940 070

Components subject to moderate corrosion stress. Externally visible parts with primarily decorative surface requirements which are in direct contact with a normal industrial environment or media such as coolants or lubricating agents.

# EGSA/ERMB connections

Technical data

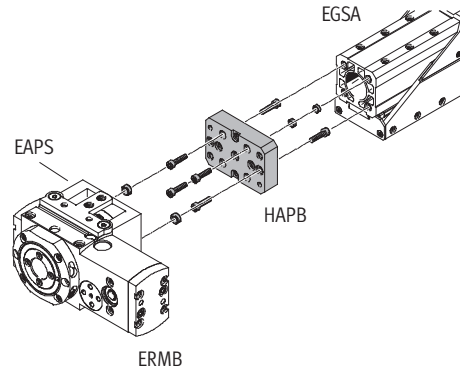
## Adapter kit HAPB

Material:

Wrought aluminium alloy, anodised

Centring sleeves: High-alloy steel

Free of copper, PTFE and silicone

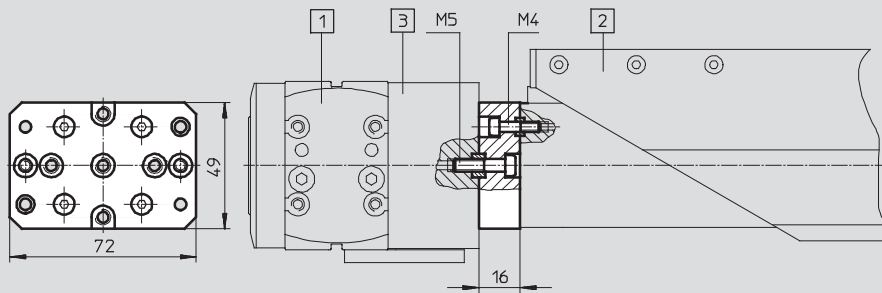


Direct mounting

## Dimensions and ordering data

Download CAD data → [www.festo.com](http://www.festo.com)

Direct mounting



- 1 Rotary module ERM B
- 2 Spindle driven cantilever axis EGSA
- 3 Optionally: Adapter kit EAPS

Drive	Drive	Sensing kit	CRC <sup>1)</sup>	Part No.	Type
EGSA-60	ERMB-20	EAPS-20	2	–	M5x20 DIN 912 <sup>2)</sup>
				560 019	HMSV-63

1) Corrosion resistance class 2 as per Festo standard 940 070

Components subject to moderate corrosion stress. Externally visible parts with primarily decorative surface requirements which are in direct contact with a normal industrial environment or media such as coolants or lubricating agents.

2) Two screws are required. The screws are not included in the scope of delivery

# EGSA/HMP connections

Technical data

## Adapter kit HMSV

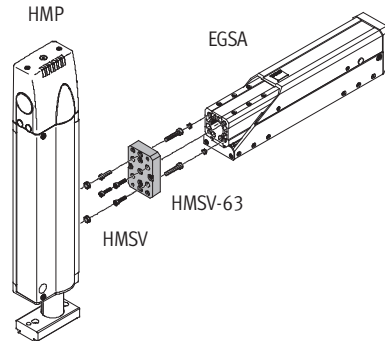
**Material:**

Wrought aluminium alloy, anodised

Centring sleeves: High-alloy steel

Slot nuts: Tempered steel

Free of copper, PTFE and silicone

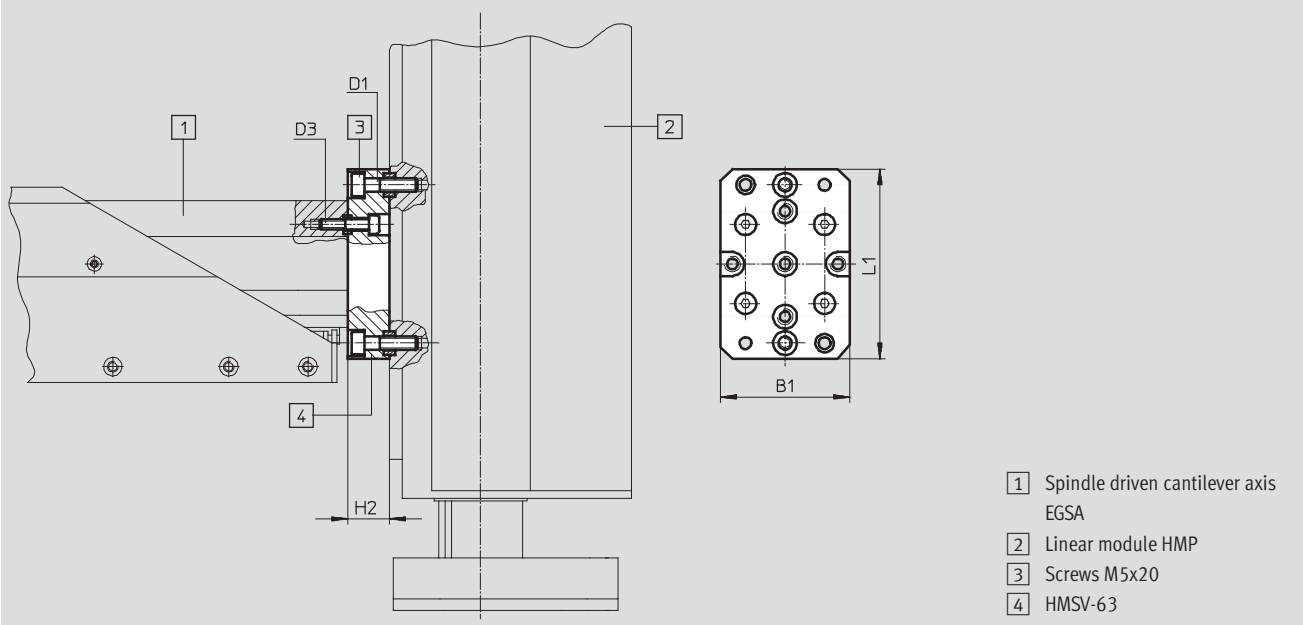


Direct mounting

## Dimensions and ordering data

Download CAD data → [www.festo.com](http://www.festo.com)

### Direct mounting



- 1 Spindle driven cantilever axis EGSA
- 2 Linear module HMP
- 3 Screws M5x20
- 4 HMSV-63

Drive	Drive	B1	D1	D3	H2	L1	CRC <sup>1)</sup>	Part No.	Type	Part No.	Type	Required quantity	PU <sup>3)</sup>
EGSA-60	HMP-16	49	M5	M4	16	72	2	560 019	HMSV-63	–	M5x20 <sup>2)</sup>	2	–
										150 927	ZBH-92 <sup>2)</sup>	2	10

1) Corrosion resistance class 2 as per Festo standard 940 070  
 Components subject to moderate corrosion stress. Externally visible parts with primarily decorative surface requirements which are in direct contact with a normal industrial environment or media such as coolants or lubricating agents.

2) The screws and centring sleeves listed are not included in the scope of delivery of the drives

3) Packaging unit quantity

# DPZ, SPZ/DPZ, SPZ connections

Technical data

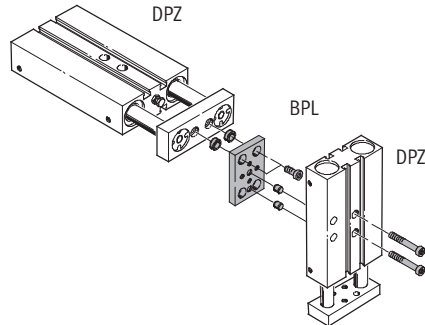
## Adapter plate BPL

Material:

Wrought aluminium alloy, anodised

Centring sleeves: High-alloy steel

Free of copper, PTFE and silicone



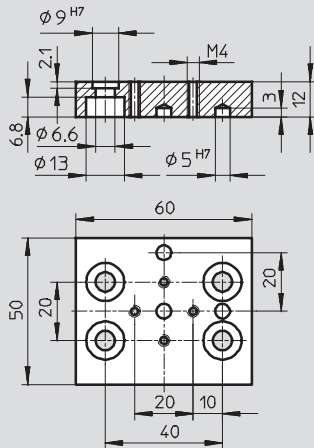
Direct mounting

## Dimensions and ordering data

Download CAD data → [www.festo.com](http://www.festo.com)

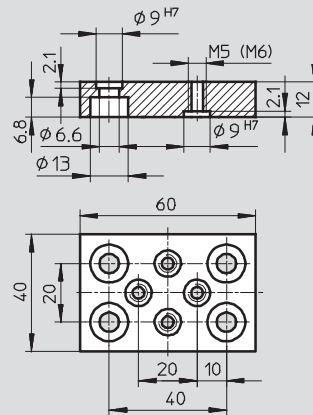
Direct mounting

BPL-1



BPL-2

BPL-3 (dimensions in brackets)



Drive	Drive	CRC <sup>1)</sup>	Part No.	Type
DPZ/SPZ-20/25/32	DPZ/SPZ-10/16	2	150 929	BPL-1
DPZ/SPZ-20/25/32	DPZ/SPZ-20		150 930	BPL-2
DPZ/SPZ-25/32	DPZ/SPZ-25		150 931	BPL-3
DPZ/SPZ-32	DPZ/SPZ-32			

1) Corrosion resistance class 2 as per Festo standard 940 070

Components subject to moderate corrosion stress. Externally visible parts with primarily decorative surface requirements which are in direct contact with a normal industrial environment or media such as coolants or lubricating agents.

# Product Range and Company Overview

## A Complete Suite of Automation Services

Our experienced engineers provide complete support at every stage of your development process, including: conceptualization, analysis, engineering, design, assembly, documentation, validation, and production.



**Custom Automation Components**  
Complete custom engineered solutions



**Custom Control Cabinets**  
Comprehensive engineering support and on-site services



**Complete Systems**  
Shipment, stocking and storage services

## The Broadest Range of Automation Components

With a comprehensive line of more than 30,000 automation components, Festo is capable of solving the most complex automation requirements.



**Electromechanical**  
Electromechanical actuators, motors, controllers & drives



**Pneumatics**  
Pneumatic linear and rotary actuators, valves, and air supply



**PLCs and I/O Devices**  
PLC's, operator interfaces, sensors and I/O devices

## Supporting Advanced Automation... As No One Else Can!

Festo is a leading global manufacturer of pneumatic and electromechanical systems, components and controls for industrial automation, with more than 12,000 employees in 56 national headquarters serving more than 180 countries. For more than 80 years, Festo has continuously elevated the state of manufacturing with innovations and optimized motion control solutions that deliver higher performing, more profitable automated manufacturing and processing equipment. Our dedication to the advancement of automation extends beyond technology to the education and development of current and future automation and robotics designers with simulation tools, teaching programs, and on-site services.

## Quality Assurance, ISO 9001 and ISO 14001 Certifications

Festo Corporation is committed to supply all Festo products and services that will meet or exceed our customers' requirements in product quality, delivery, customer service and satisfaction.

To meet this commitment, we strive to ensure a consistent, integrated, and systematic approach to management that will meet or exceed the requirements of the ISO 9001 standard for Quality Management and the ISO 14001 standard for Environmental Management.



© Copyright 2008, Festo Corporation. While every effort is made to ensure that all dimensions and specifications are correct, Festo cannot guarantee that publications are completely free of any error, in particular typing or printing errors. Accordingly, Festo cannot be held responsible for the same. For Liability and Warranty conditions, refer to our "Terms and Conditions of Sale", available from your local Festo office. All rights reserved. No part of this publication may be reproduced, distributed, or transmitted in any form or by any means, electronic, mechanical, photocopying or otherwise, without the prior written permission of Festo. All technical data subject to change according to technical update.



Printed on recycled paper at New Horizon Graphic, Inc., FSC certified as an environmentally friendly printing plant.

# Festo North America

## Festo Regional Contact Center

5300 Explorer Drive  
Mississauga, Ontario L4W 5G4  
Canada

### USA Customers:

For ordering assistance,

**Call:** 1.800.99.FESTO (1.800.993.3786)

**Fax:** 1.800.96.FESTO (1.800.963.3786)

**Email:** [customer.service@us.festo.com](mailto:customer.service@us.festo.com)

For technical support,

**Call:** 1.866.GO.FESTO (1.866.463.3786)

**Fax:** 1.800.96.FESTO (1.800.963.3786)

**Email:** [product.support@us.festo.com](mailto:product.support@us.festo.com)

### Canadian Customers:

**Call:** 1.877.GO.FESTO (1.877.463.3786)

**Fax:** 1.877.FX.FESTO (1.877.393.3786)

**Email:** [festo.canada@ca.festo.com](mailto:festo.canada@ca.festo.com)

---

## USA Headquarters

Festo Corporation  
395 Moreland Road  
P.O. Box 18023  
Hauppauge, NY 11788, USA  
[www.festo.com/us](http://www.festo.com/us)

---

## USA Sales Offices

### Appleton

North 922 Tower View Drive, Suite N  
Greenville, WI 54942, USA

### Boston

120 Presidential Way, Suite 330  
Woburn, MA 01801, USA

### Chicago

1441 East Business Center Drive  
Mt. Prospect, IL 60056, USA

### Dallas

1825 Lakeway Drive, Suite 600  
Lewisville, TX 75057, USA

### Detroit – Automotive Engineering Center

2601 Cambridge Court, Suite 320  
Auburn Hills, MI 48326, USA

### New York

395 Moreland Road  
Hauppauge, NY 11788, USA

### Silicon Valley

4935 Southfront Road, Suite F  
Livermore, CA 94550, USA

## United States



**USA Headquarters, East:** Festo Corp., 395 Moreland Road, Hauppauge, NY 11788

Phone: 1.631.435.0800; Fax: 1.631.435.8026;

Email: [info@festo-usa.com](mailto:info@festo-usa.com)

[www.festo.com/us](http://www.festo.com/us)

## Canada



**Headquarters:** Festo Inc., 5300 Explorer Drive, Mississauga, Ontario L4W 5G4

Phone: 1.905.624.9000; Fax: 1.905.624.9001;

Email: [festo.canada@ca.festo.com](mailto:festo.canada@ca.festo.com)

[www.festo.ca](http://www.festo.ca)

## Mexico



**Headquarters:** Festo Pneumatic, S.A., Av. Ceylán 3, Col. Tequesquahuac,  
54020 Tlalneantla, Edo. de México

Phone: 011 52 [55] 53 21 66 00; Fax: 011 52 [55] 53 21 66 65;

Email: [festo.mexico@mx.festo.com](mailto:festo.mexico@mx.festo.com)

[www.festo.com/mx](http://www.festo.com/mx)

---

## Central USA

Festo Corporation  
1441 East Business  
Center Drive  
Mt. Prospect, IL 60056, USA  
Phone: 1.847.759.2600  
Fax: 1.847.768.9480



## Western USA

Festo Corporation  
4935 Southfront Road,  
Suite F  
Livermore, CA 94550, USA  
Phone: 1.925.371.1099  
Fax: 1.925.245.1286



---

## Festo Worldwide

Argentina Australia Austria Belarus Belgium Brazil Bulgaria Canada Chile China Colombia Croatia Czech Republic Denmark  
Estonia Finland France Germany Great Britain Greece Hong Kong Hungary India Indonesia Iran Ireland Israel Italy Japan Latvia  
Lithuania Malaysia Mexico Netherlands New Zealand Norway Peru Philippines Poland Romania Russia Serbia Singapore  
Slovakia Slovenia South Africa South Korea Spain Sweden Switzerland Taiwan Thailand Turkey Ukraine United States Venezuela

[www.festo.com](http://www.festo.com)