

## Compact cylinders DPCA

**FESTO**



## Key features

### At a glance

- Compact design permits use in tight spaces
- Double-acting and single-acting versions
- Piston rod with external and internal thread
- With and without anti-twist protection
- With and without cushioning
- Simple assembly with suitable mounting options

### System of units

[ ] Metric

### Anti-twist protection

[Q] With anti-twist protection

- Anti-twist protection prevents the piston rod turning during movement
- Application example: position-oriented feeding

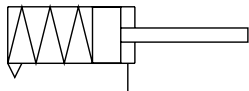
### Stroke adjustment

[E] Advancing/front

- Stroke adjustment allows precision adjustment of the piston rod's advanced end position

### Function

[P] Single-acting, pulling (piston rod advanced by spring force)



- The cylinder has one pneumatic connection. The piston rod is advanced in its initial position
- When the connection is pressurized with compressed air, the cylinder retracts. It is advanced by a spring

### Piston rod type

[ ] At one end



- The piston rod can be used for connection at one end of the cylinder

### System of units

[N] Inch

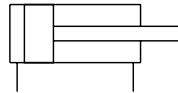
### Running characteristics

[L4] Additional piston guide

- The piston guide serves to absorb higher transverse loads

### Function

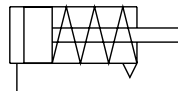
[ ] Double-acting



- The cylinder has two pneumatic connections which can be pressurized with compressed air one after the other
- When the rear connection is pressurized with compressed air, the cylinder advances. For retraction, the front connection is pressurized with compressed air

### Function

[S] Single-acting, pushing (piston rod retracted by spring force)



- The cylinder has one pneumatic connection. The piston rod is retracted in its initial position
- When the connection is pressurized with compressed air, the cylinder advances. It is retracted by a spring

### Piston rod type

[H] Through, hollow piston rod



- The piston rod can be used for connection at both ends of the cylinder
- The piston rod is hollow inside, meaning it can be used to carry vacuum or compressed air
- Identical forces in forward and return stroke

## Key features

**Piston rod type**

[T] Through piston rod



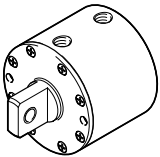
- The piston rod can be used for connection at both ends of the cylinder
- The piston rod has an internal thread on the side of the end cap and an external thread on the other side
- Identical forces in forward and return stroke

**Piston rod thread type**

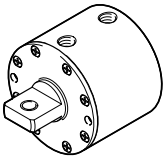
[F] Internal thread

**Type of mounting**

[U] With swiveling rod eye

**Type of mounting**

[U90] Swiveling rod eye, rotated 90°

**Noise reduction**

[SL]/[SL2]/[SL3] Both ends/front/rear

- Noise can be muffled with the noise reduction feature

**Scraper variant**

[A1] Increased chemical resistance

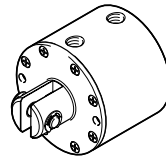
- FKM seals ensure a longer service life, e.g. with the use of cooling lubricants

**Piston rod thread type**

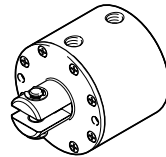
[] External thread

**Type of mounting**

[D] With swivel clevis

**Type of mounting**

[D90] With swivel clevis, rotated 90°

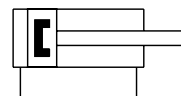
**Cushioning**

[P]/[P2]/[P3] Flexible cushioning rings/pads

- The actuator is fitted with rubber flexible end-position cushioning for absorbing higher impact energy.
- No adjustment required
- Saves time


**Position sensing**

[A] For proximity switch



## Product range overview

Function	Type	Piston diameter	Stroke	System of units	Anti-twist protection	Stroke adjustment	Piston rod type		Piston rod thread type
		[in]	[in]	N	Q	E	H	T	F
Double-acting	<b>Standard running characteristic</b>								
	DPCA	1/2	1/16 ... 4	■	–	–	■	■	■
		3/4		■	■	–	■	■	■
		1 1/8	1/8 ... 4	■	■	■	■	■	■
		1 5/8		■	■	■	■	■	■
		2		■	■	■	■	■	■
		2 1/2		■	■	■	■	■	■
		3		■	■	■	■	■	■
		4		■	■	■	■	■	■
	<b>Running characteristic with additional PTFE piston guide</b>								
	DPCA-...-L4	1/2	1/8 ... 4	■	–	–	–	–	■
		3/4		■	■	–	–	–	■
		1 1/8	1/16 ... 3 7/8	■	■	–	–	–	■
		1 5/8	1/4 ... 3 3/4	■	■	–	–	–	■
		2	1/8 ... 3 3/4	■	■	–	–	–	■
		2 1/2	1/4 ... 3 3/4	■	■	–	–	–	■
		3		■	■	–	–	–	■
		4	5/16 ... 3 1 3/16	■	■	–	–	–	■


 **Note**

Only fixed strokes can be ordered.

To find out which strokes are available for specific piston diameters, please refer to the ordering data in the modular product system a page 63

## Product range overview

Function	Type	Piston diameter [in]	Stroke [in]	Type of mounting				Cushioning				Noise reduction			Position sensing	Scraper variant	
				D	U	D90	U90	N	P	P2	P3	SL	SL2	SL3	A	A1	
Double-acting	<b>Standard running characteristic</b>																
	DPCA	1/2	1/16 ... 4	■	■	■	■	■	■	■	■	■	■	■	■	■	■
		3/4		■	■	■	■	■	■	■	■	■	■	■	■	■	■
		1 1/8	1/8 ... 4	■	■	■	■	■	■	■	■	■	■	■	■	■	■
		1 5/8		■	■	■	■	■	■	■	■	■	■	■	■	■	■
		2		■	■	■	■	■	■	■	■	■	■	■	■	■	■
		2 1/2		■	-	■	-	■	■	■	■	■	■	■	■	■	■
		3		■	-	■	-	■	■	■	■	■	■	■	■	■	■
		4		■	-	■	-	■	■	■	■	■	■	■	■	■	■
	<b>Running characteristic with additional PTFE piston guide</b>																
	DPCA-...-L4	1/2	1/8 ... 4	■	■	■	■	■	■	■	■	■	■	■	■	■	■
		3/4		■	■	■	■	■	■	■	■	■	■	■	■	■	■
		1 1/8	1/16 ... 3 7/8	■	■	■	■	■	■	■	■	■	■	■	■	■	■
		1 5/8	1/4 ... 3 3/4	■	■	■	■	■	■	■	■	■	■	■	■	■	■
		2	1/8 ... 3 3/4	■	■	■	■	■	■	■	■	■	■	■	■	■	■
		2 1/2	1/4 ... 3 3/4	■	-	■	-	■	■	■	■	■	■	■	■	■	■
3			■	-	■	-	■	■	■	■	■	■	■	■	■	■	
4	5/16 ... 3 1 3/16	■	-	■	-	■	■	■	■	■	■	■	■	■	■		

 - **Note**

Only fixed strokes can be ordered.


To find out which strokes are available for specific piston diameters, please refer to the ordering data in the modular product system a page 63

## Product range overview

Function	Type	Piston diameter	Stroke	System of units	Anti-twist protection	Stroke adjustment	Piston rod type		Piston rod thread type	
		[in]	[in]	N	Q	E	H	T	F	
Single-acting, pulling <sup>1)</sup>	<b>Standard running characteristic</b>									
	DPCA-...-P	1/2	1/16 ... 1/2	■	-	-	-	-	-	■
		3/4		■	-	-	-	-	-	■
		1 1/8	1/8 ... 1 1/2	■	-	-	-	-	-	■
		1 5/8	1/8 ... 1	■	-	-	-	-	-	■
		2		■	-	-	-	-	-	■
		2 1/2		■	-	-	-	-	-	■
		3		■	-	-	-	-	-	■
	<b>Running characteristic with additional PTFE piston guide</b>									
	DPCA-...-L4-...-P	1/2	1/8 ... 3/8	■	-	-	-	-	-	■
		3/4		■	-	-	-	-	-	■
		1 1/8	1/16 ... 1 3/8	■	-	-	-	-	-	■
		1 5/8	1/4 ... 3/4	■	-	-	-	-	-	■
		2	1/8 ... 3/4	■	-	-	-	-	-	■
2 1/2		1/4 ... 3/4	■	-	-	-	-	-	■	
3			■	-	-	-	-	-	■	
Single-acting, pushing <sup>2)</sup>	<b>Standard running characteristic</b>									
	DPCA-...-S	1/2	1/16 ... 2	■	-	-	■	■	■	■
		3/4		■	-	-	■	■	■	■
		1 1/8	1/8 ... 2	■	-	■	■	■	■	■
		1 5/8	1/8 ... 1 1/2	■	-	■	■	■	■	■
		2		■	-	■	■	■	■	■
		2 1/2		■	-	■	■	■	■	■
		3		■	-	■	■	■	■	■
	<b>Running characteristic with additional PTFE piston guide</b>									
	DPCA-...-L4-...-S	1/2	1/8 ... 2	■	-	-	-	-	-	■
		3/4		■	-	-	-	-	-	■
		1 1/8	1/16 ... 1 7/8	■	-	-	-	-	-	■
		1 5/8	1/4 ... 1 1/4	■	-	-	-	-	-	■
		2	1/8 ... 1 1/4	■	-	-	-	-	-	■
2 1/2		1/4 ... 1 1/4	■	-	-	-	-	-	■	
3			■	-	-	-	-	-	■	

1) piston rod advanced by spring force

2) piston rod retracted by spring force

 **Note**

Only fixed strokes can be ordered.


To find out which strokes are available for specific piston diameters, please refer to the ordering data in the modular product system a page 103

## Product range overview

Function	Type	Piston diameter [in]	Stroke [in]	Type of mounting				Cushioning				Noise reduction			Position sensing	Scraper variant
				D	U	D90	U90	N	P	P2	P3	SL	SL2	SL3	A	A1
Single-acting, pulling <sup>1)</sup>	<b>Standard running characteristic</b>															
	DPCA-...-P	1/2	1/16 ... 1/2	■	■	■	■	■	-	■	-	-	-	-	-	■
		3/4		■	■	■	■	■	-	■	-	-	-	-	-	■
		1 1/8	1/8 ... 1 1/2	■	■	■	■	■	-	■	-	■	■	■	-	■
		1 5/8	1/8 ... 1	■	■	■	■	■	-	■	-	■	■	■	-	■
		2		■	■	■	■	■	-	■	-	■	■	■	-	■
		2 1/2		■	-	■	-	■	-	■	-	■	■	■	-	■
	3	■	-	■	-	■	-	■	-	■	■	■	-	■		
	<b>Running characteristic with additional PTFE piston guide</b>															
	DPCA-...-L4-...-P	1/2	1/8 ... 3/8	■	■	■	■	■	-	■	-	-	-	-	-	■
		3/4		■	■	■	■	■	-	■	-	-	-	-	-	■
		1 1/8	1/16 ... 1 3/8	■	■	■	■	■	-	■	-	■	■	■	-	■
		1 5/8	1/4 ... 3/4	■	■	■	■	■	-	■	-	■	■	■	-	■
		2	1/8 ... 3/4	■	■	■	■	■	-	■	-	■	■	■	-	■
2 1/2		1/4 ... 3/4	■	-	■	-	■	-	■	-	■	■	■	-	■	
3		■	-	■	-	■	-	■	-	■	■	■	-	■		
Single-acting, pushing <sup>2)</sup>	<b>Standard running characteristic</b>															
	DPCA-...-S	1/2	1/16 ... 2	■	■	■	■	■	-	-	■	-	-	-	-	■
		3/4		■	■	■	■	■	-	-	■	-	-	-	-	■
		1 1/8	1/8 ... 2	■	■	■	■	■	-	-	■	-	-	■	-	■
		1 5/8	1/8 ... 1 1/2	■	■	■	■	■	-	-	■	-	-	■	-	■
		2		■	■	■	■	■	-	-	■	-	-	■	-	■
		2 1/2		■	-	■	-	■	-	-	■	-	-	■	-	■
	3	■	-	■	-	■	-	-	■	-	-	■	-	■		
	<b>Running characteristic with additional PTFE piston guide</b>															
	DPCA-...-L4-...-S	1/2	1/8 ... 2	■	■	■	■	■	-	-	■	-	-	-	-	■
		3/4		■	■	■	■	■	-	-	■	-	-	-	-	■
		1 1/8	1/16 ... 1 7/8	■	■	■	■	■	-	-	■	-	-	■	-	■
		1 5/8	1/4 ... 1 1/4	■	■	■	■	■	-	-	■	-	-	■	-	■
		2	1/8 ... 1 1/4	■	■	■	■	■	-	-	■	-	-	■	-	■
2 1/2		1/4 ... 1 1/4	■	-	■	-	■	-	-	■	-	-	■	-	■	
3		■	-	■	-	■	-	-	■	-	-	■	-	■		

1) piston rod advanced by spring force

2) piston rod retracted by spring force

 **Note**

Only fixed strokes can be ordered.

To find out which strokes are available for specific piston diameters, please refer to the ordering data in the modular product system a page 103

## Type codes

001	Series	
DPCA	Pancake cylinder	

002	System of units	
	Metric	
N	Imperial	

003	Protection against rotation	
	None	
Q	With protection against rotation	

004	Running characteristics	
	Standard	
L4	Additional PTFE piston guide	

005	Piston diameter [“]	
1/2”	1/2”	
3/4”	3/4”	
1 1/8”	1 1/8”	
1 5/8”	1 5/8”	
2”	2”	
2 1/2”	2 1/2”	
3”	3”	
4”	4”	

006	Stroke [“]	
1/16”	1/16”	
1/8”	1/8”	
3/16”	3/16”	
1/4”	1/4”	
5/16”	5/16”	
3/8”	3/8”	
1/2”	1/2”	
5/8”	5/8”	
3/4”	3/4”	
13/16”	13/16”	
7/8”	7/8”	
1”	1”	
1 1/8”	1 1/8”	
1 1/4”	1 1/4”	
1 5/16”	1 5/16”	
1 3/8”	1 3/8”	
1 1/2”	1 1/2”	
1 5/8”	1 5/8”	
1 3/4”	1 3/4”	
1 13/16”	1 13/16”	
1 7/8”	1 7/8”	
2”	2”	
2 3/4”	2 3/4”	
2 13/16”	2 13/16”	
2 7/8”	2 7/8”	
3”	3”	
3 3/4”	3 3/4”	
3 13/16”	3 13/16”	
3 7/8”	3 7/8”	
4”	4”	



## Type codes

007	Stroke adjustment	
	Without	
E	Advancing/front	

008	Function	
	Double-acting	
P	Single-acting, pulling	
S	Single-acting, pushing	

009	Piston rod type	
	At one end	
H	Through, hollow piston rod	
T	Through piston rod	

010	Piston rod thread type	
	Male thread	
F	Female thread	

011	Type of mounting	
	Standard	
U	With swivelling rod eye	
D	With swivel clevis	
D90	With swivel clevis, rotated 90°	
U90	With swivelling rod eye, rotated 90°	

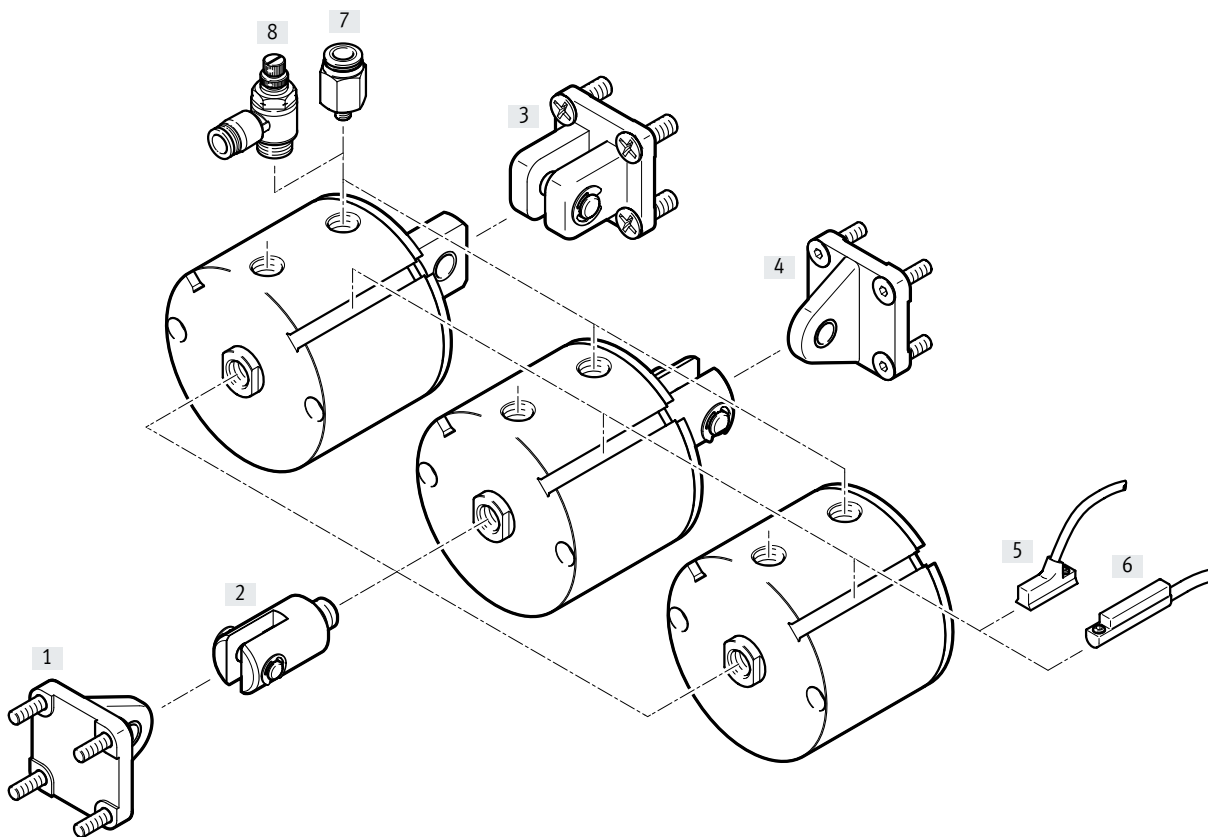
012	Cushioning	
	No cushioning	
P	Elastic cushioning rings/plates on both sides	
P2	Elastic cushioning rings/plates, front	
P3	Elastic cushioning rings/plates, rear	

013	Noise reduction	
	Without	
SL	Both sides	
SL2	Front	
SL3	Rear	

014	Position sensing	
	None	
A	For proximity sensor	

015	Scraper variant	
	None	
A1	Increased chemical resistance	

## Peripherals overview

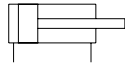


Accessories	Description	→ Page/Internet
[1] Clevis flange DAMS-C4-...-C	For connecting to swivel clevis DARC	105
[2] Pivoting clevis DARC-C4-...-M	Permits swivel motion in one plane	106
[3] Clevis flange DAMS-C4-...-D	Counterpart for the swiveling rod eye on the cylinder	107
[4] Clevis flange DAMS-C4-...-C	For connecting to compact cylinder DPCA	105
[5] Proximity switch SDBF-FBS	For dovetail slot For piston diameter 3/4 ... 4	108
[6] Proximity switch SDBF-FAS	For round slot For piston diameter 1/2	108
[7] Push-in fitting QB/QBM/QBML/QBL	For connecting compressed air tubing with standard O.D.	108
[8] Check valve GRLA	For regulating velocity	108

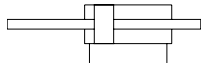
**Datasheet**

Function

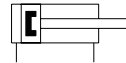
DPCA



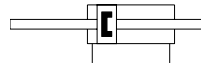
DPCA...T



DPCA...A



DPCA...T...A



- - Diameter  
1/2 ... 4 inch
- - Stroke length  
1/16 ... 4 inch

General technical data		1/2	3/4	1 1/8	1 5/8	2	2 1/2	3	4
Piston diameter									
Design	Piston								
	Piston rod								
	Cylinder barrel								
Mode of operation	Double-acting								
Piston rod end	External thread								
	Internal thread								
Anti-twist protection/guide	-	Piston guide pin							
Pneumatic connection	Double-acting								
[ ]	M5	G1/8							
[N]	10-32 UNF-2B	1/8 NPT							
Piston rod thread									
[ ]	8-32 UNC-2A	10-32 UNF-2A	5/16-24 UNF-2A	3/8-24 UNF-2A	1/2-20 UNF-2A		5/8-18 UNF-2A		
[F]	8-32 UNC-2B	10-32 UNF-2B	5/16-24 UNF-2B	3/8-24 UNF-2B	1/2-20 UNF-2B		5/8-18 UNF-2B		
Stroke	[in]	1/16 ... 4			1/8 ... 4				
Cushioning									
[P]	Flexible cushioning rings/pads at both ends								
[P2]	Flexible cushioning rings/pads at front								
[P3]	Flexible cushioning rings/pads at rear								
Position sensing	For proximity switch								
Type of mounting									
	With through-hole								
	With accessories								
[U]	With swiveling rod eye on end cap							-	
[D]	With swivel clevis on end cap								
[U90]	With swiveling rod eye on end cap rotated 90°							-	
[D90]	With swivel clevis on end cap rotated 90°								
Mounting position	Any								

## Datasheet

<b>Operating and environmental conditions</b>								
Piston diameter	1/2	3/4	1 1/8	1 5/8	2	2 1/2	3	4
Operating pressure [psi]	15 ... 150							
Operating medium	Compressed air to ISO 8573-1:2010 [7:4:4]							
Information on operating and pilot media	Operation with oil lubrication possible (required for further use)							
Ambient temperature <sup>1)</sup> [°F]	-25 ... +250							

1) Note operating range of proximity switches

<b>Forces [lbs] at 80 psi</b>								
Piston diameter	1/2	3/4	1 1/8	1 5/8	2	2 1/2	3	4
Theoretical force, advancing	16	35.2	79.2	165.6	251.2	392.8	565.6	1005.6
Theoretical force, retracting	12	28.8	64	136	216	357.6	530.4	957.6

<b>Weight [lb]</b>								
Piston diameter	1/2	3/4	1 1/8	1 5/8	2	2 1/2	3	4
Product weight	0.08 ... 0.46	0.14 ... 0.81	0.28 ... 1.39	0.6 ... 3.8	0.89 ... 3.95	1.43 ... 4.73	1.89 ... 5.72	3.88 ... 10.08

<b>Materials</b>	
Cover	Wrought aluminum alloy
Dynamic seals	NBR FPM
Piston rod	High-alloy steel
Cylinder barrel	Wrought aluminum alloy
Note on materials	Contains paint-wetting impairment substances RoHS-compliant

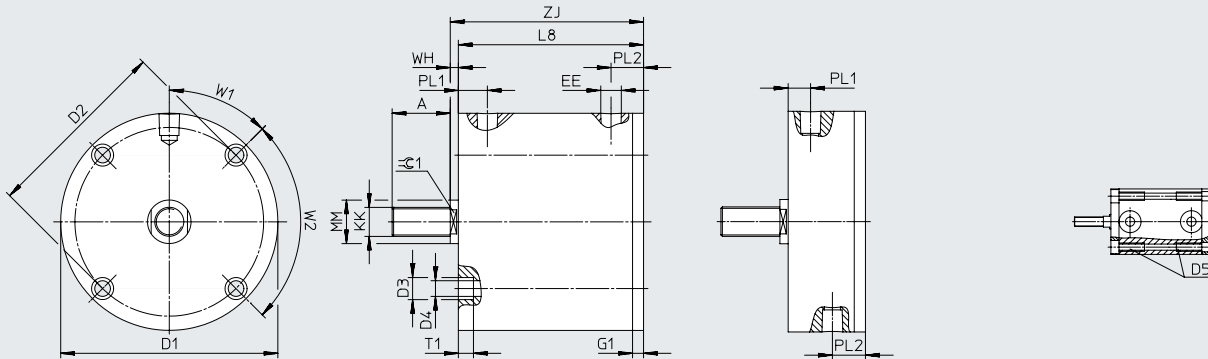
Datasheet

Dimensions – piston diameter 1/2

Download CAD data → [www.festo.com](http://www.festo.com)

DPCA-...-1/16" ... 3/8"  
DPCA-...-L4-...-1/8" ... 1/4"

DPCA-...-1" ... 4"  
DPCA-...-L4-...-1" ... 4"



Stroke [in]	A	D1 ∅	D2 ∅	D3 ∅	D4 ∅	D5	EE		G1	KK	
								[N]			[N]
1/16	0.5	1.13	0.88	0.23	0.14	-	M5	10-32	0.13	M4	8-32 UNC-2A
1/8	0.5	1.13	0.88	0.23	0.14	-	M5	10-32	0.13	M4	8-32 UNC-2A
1/4	0.5	1.13	0.88	0.23	0.14	-	M5	10-32	0.13	M4	8-32 UNC-2A
3/8	0.5	1.13	0.88	0.23	0.14	-	M5	10-32	0.13	M4	8-32 UNC-2A
1/2	0.5	1.13	0.88	0.23	0.14	-	M5	10-32	0.13	M4	8-32 UNC-2A
5/8	0.5	1.13	0.88	0.23	0.14	-	M5	10-32	0.13	M4	8-32 UNC-2A
3/4	0.5	1.13	0.88	0.23	0.14	-	M5	10-32	0.13	M4	8-32 UNC-2A
1	0.5	1.13	0.88	-	-	6-32x0.44	M5	10-32	0.13	M4	8-32 UNC-2A
1 1/4	0.5	1.13	0.88	-	-	6-32x0.44	M5	10-32	0.13	M4	8-32 UNC-2A
1 1/2	0.5	1.13	0.88	-	-	6-32x0.44	M5	10-32	0.13	M4	8-32 UNC-2A
2	0.5	1.13	0.88	-	-	6-32x0.44	M5	10-32	0.13	M4	8-32 UNC-2A
3	0.5	1.13	0.88	-	-	6-32x0.44	M5	10-32	0.13	M4	8-32 UNC-2A
4	0.5	1.13	0.88	-	-	6-32x0.44	M5	10-32	0.13	M4	8-32 UNC-2A

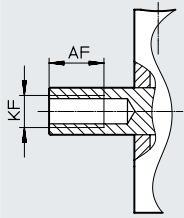
Stroke [in]	L8		MM ∅	PL1	PL2	T1	W1	W2	WH	ZJ		∅ 1
		[L4]									[L4]	
1/16	0.7	-	0.25	0.33	0.31	0.14	90°	-	0.13	0.83	-	0.19
1/8	0.7	0.83	0.25	0.33	0.31	0.14	90°	-	0.13	0.83	0.96	0.19
1/4	0.83	0.95	0.25	0.33	0.31	0.14	90°	-	0.13	0.96	1.08	0.19
3/8	0.95	1.08	0.25	0.33	0.31	0.14	90°	-	0.13	1.08	1.21	0.19
1/2	1.08	1.23	0.25	0.33	0.31	0.14	90°	-	0.13	1.21	1.36	0.19
5/8	1.23	1.36	0.25	0.33	0.31	0.14	90°	-	0.13	1.36	1.49	0.19
3/4	1.36	-	0.25	0.33	0.31	0.14	90°	-	0.13	1.49	-	0.19
1	1.7		0.25	0.33	0.31	-	90°	-	0.13	1.83		0.19
1 1/4	1.95		0.25	0.33	0.31	-	90°	-	0.13	2.08		0.19
1 1/2	2.2		0.25	0.33	0.31	-	90°	-	0.13	2.33		0.19
2	2.83		0.25	0.42	0.31	-	90°	-	0.13	2.96		0.19
3	3.83		0.25	0.42	0.31	-	90°	-	0.13	3.96		0.19
4	4.83		0.25	0.42	0.31	-	90°	-	0.13	4.96		0.19

## Datasheet

## Dimensions – piston diameter 1/2

Download CAD data → [www.festo.com](http://www.festo.com)

[F] Internal thread



Stroke [in]	AF	KF		
		AF [L4]		[N]
1/16	0.25	–	M4	8-32 UNC-2B
1/8	0.25	0.25	M4	8-32 UNC-2B
1/4	0.25	0.38	M4	8-32 UNC-2B
3/8	0.38	0.38	M4	8-32 UNC-2B
1/2	0.38	0.38	M4	8-32 UNC-2B
5/8	0.38	0.38	M4	8-32 UNC-2B
3/4	0.38	–	M4	8-32 UNC-2B
1	0.38	0.38	M4	8-32 UNC-2B
1 1/4	0.38	0.38	M4	8-32 UNC-2B
1 1/2	0.38	0.38	M4	8-32 UNC-2B
2	0.38	0.38	M4	8-32 UNC-2B
3	0.38	0.38	M4	8-32 UNC-2B
4	0.38	0.38	M4	8-32 UNC-2B

Datasheet

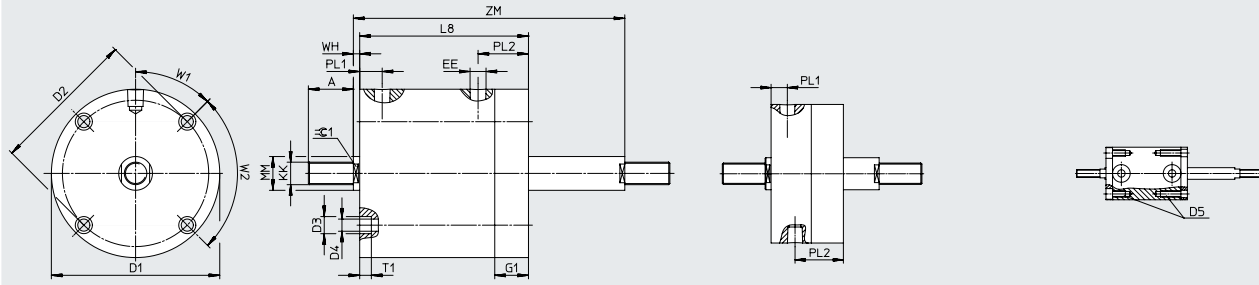
Dimensions – piston diameter 1/2

Download CAD data → [www.festo.com](http://www.festo.com)

[T] Through piston rod

DPCA-...-1/16"...1/4"

DPCA-...-1"...4"



Stroke [in]	A	D1 Ø	D2 Ø	D3 Ø	D4 Ø	D5	EE		G1	KK	
								[N]			[N]
1/16	0.5	1.13	0.88	0.23	0.14	-	M5	10-32	0.14	M4	8-32 UNC-2A
1/8	0.5	1.13	0.88	0.23	0.14	-	M5	10-32	0.14	M4	8-32 UNC-2A
1/4	0.5	1.13	0.88	0.23	0.14	-	M5	10-32	0.14	M4	8-32 UNC-2A
3/8	0.5	1.13	0.88	0.23	0.14	-	M5	10-32	0.14	M4	8-32 UNC-2A
1/2	0.5	1.13	0.88	0.23	0.14	-	M5	10-32	0.14	M4	8-32 UNC-2A
5/8	0.5	1.13	0.88	0.23	0.14	-	M5	10-32	0.14	M4	8-32 UNC-2A
3/4	0.5	1.13	0.88	0.23	0.14	-	M5	10-32	0.14	M4	8-32 UNC-2A
1	0.5	1.13	0.88	-	-	6-32x0.44	M5	10-32	0.14	M4	8-32 UNC-2A
1 1/4	0.5	1.13	0.88	-	-	6-32x0.44	M5	10-32	0.14	M4	8-32 UNC-2A
1 1/2	0.5	1.13	0.88	-	-	6-32x0.44	M5	10-32	0.14	M4	8-32 UNC-2A
2	0.5	1.13	0.88	-	-	6-32x0.44	M5	10-32	0.14	M4	8-32 UNC-2A
3	0.5	1.13	0.88	-	-	6-32x0.44	M5	10-32	0.14	M4	8-32 UNC-2A
4	0.5	1.13	0.88	-	-	6-32x0.44	M5	10-32	0.14	M4	8-32 UNC-2A

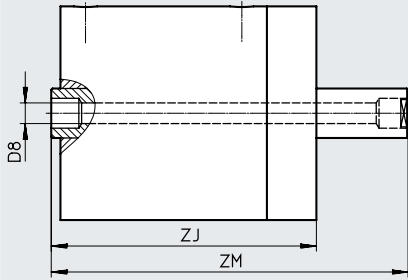
Stroke [in]	L8	MM Ø	PL1	PL2	T1	W1	W2	WH	ZM	⊖ 1
1/16	0.87	0.25	0.33	0.33	0.14	90°	-	0.13	1.1925	0.19
1/8	0.87	0.25	0.33	0.33	0.14	90°	-	0.13	1.255	0.19
1/4	1	0.25	0.33	0.33	0.14	90°	-	0.13	1.51	0.19
3/8	1.12	0.25	0.33	0.33	0.14	90°	-	0.13	1.755	0.19
1/2	1.25	0.25	0.33	0.33	0.14	90°	-	0.13	2.01	0.19
5/8	1.37	0.25	0.33	0.33	0.14	90°	-	0.13	2.255	0.19
3/4	1.5	0.25	0.33	0.33	0.14	90°	-	0.13	2.51	0.19
1	1.75	0.25	0.33	0.33	-	90°	-	0.13	3.01	0.19
1 1/4	2	0.25	0.33	0.33	-	90°	-	0.13	3.51	0.19
1 1/2	2.25	0.25	0.33	0.33	-	90°	-	0.13	4.01	0.19
2	2.75	0.25	0.33	0.33	-	90°	-	0.13	5.01	0.19
3	3.75	0.25	0.33	0.33	-	90°	-	0.13	7.01	0.19
4	4.75	0.25	0.33	0.33	-	90°	-	0.13	9.01	0.19

## Datasheet

## Dimensions – piston diameter 1/2

Download CAD data → [www.festo.com](http://www.festo.com)

[H] Through, hollow piston rod



Stroke [in]	D8 ∅	ZJ	ZM
1/16	1/16	1	1.925
1/8	1/16	1	1.255
1/4	1/16	1.13	1.51
3/8	1/16	1.25	1.755
1/2	1/16	1.38	2.01
5/8	1/16	1.5	2.255
3/4	1/16	1.63	2.51
1	1/16	1.88	3.01
1 1/4	1/16	2.13	3.51
1 1/2	1/16	2.38	4.01
2	1/16	2.88	5.01
3	1/16	3.88	7.01
4	1/16	4.88	9.01



Datasheet

**Dimensions – piston diameter 1/2**

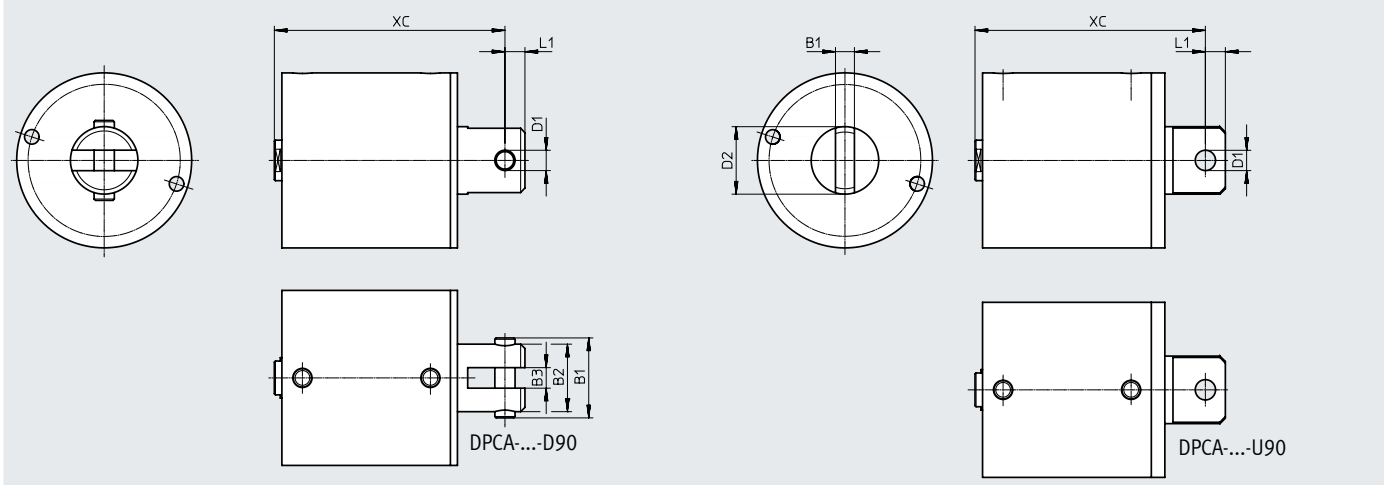
Download CAD data → [www.festo.com](http://www.festo.com)

[D] With swivel clevis

[U] With swiveling rod eye

[D90] With swivel clevis, rotated 90°

[U90] With swiveling rod eye, rotated 90°



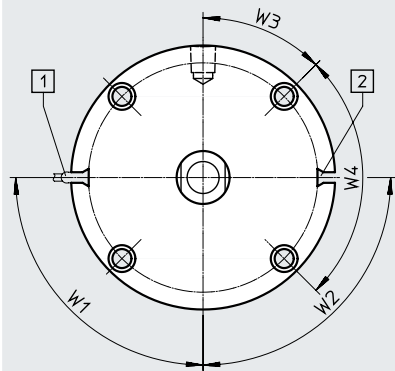
Stroke [in]	B1		B2	B3	D1 ∅		D2 ∅	L1	XC	
	[D/D90]	[U/U90]			[D/D90]	[U/U90]				[L4]
1/16	0.83	0.23	0.63	0.25	0.25	0.251	0.63	0.25	1.27	–
1/8	0.83	0.23	0.63	0.25	0.25	0.251	0.63	0.25	1.27	1.4
1/4	0.83	0.23	0.63	0.25	0.25	0.251	0.63	0.25	1.4	1.52
3/8	0.83	0.23	0.63	0.25	0.25	0.251	0.63	0.25	1.52	1.65
1/2	0.83	0.23	0.63	0.25	0.25	0.251	0.63	0.25	1.65	1.8
5/8	0.83	0.23	0.63	0.25	0.25	0.251	0.63	0.25	1.8	1.93
3/4	0.83	0.23	0.63	0.25	0.25	0.251	0.63	0.25	1.93	–
1	0.83	0.23	0.63	0.25	0.25	0.251	0.63	0.25	2.27	
1 1/4	0.83	0.23	0.63	0.25	0.25	0.251	0.63	0.25	2.52	
1 1/2	0.83	0.23	0.63	0.25	0.25	0.251	0.63	0.25	2.77	
2	0.83	0.23	0.63	0.25	0.25	0.251	0.63	0.25	3.4	
3	0.83	0.23	0.63	0.25	0.25	0.251	0.63	0.25	4.4	
4	0.83	0.23	0.63	0.25	0.25	0.251	0.63	0.25	5.4	

Datasheet

**Dimensions – piston diameter 1/2**

Download CAD data → [www.festo.com](http://www.festo.com)

[A] For proximity switch



- [1] Sensor
- [2] Sensor slot

Stroke [in]	Sensor slot number	W1	W2	W3	W4
1/4	2	60°	60°	90°	–
3/8	2	60°	60°	90°	–
1/2	2	60°	60°	90°	–
5/8	2	60°	60°	90°	–
3/4	2	60°	60°	90°	–
1	2	60°	60°	90°	–
1 1/4	2	60°	60°	90°	–
1 1/2	2	60°	60°	90°	–
2	1	60°	–	90°	–
3	1	60°	–	90°	–
4	1	60°	–	90°	–

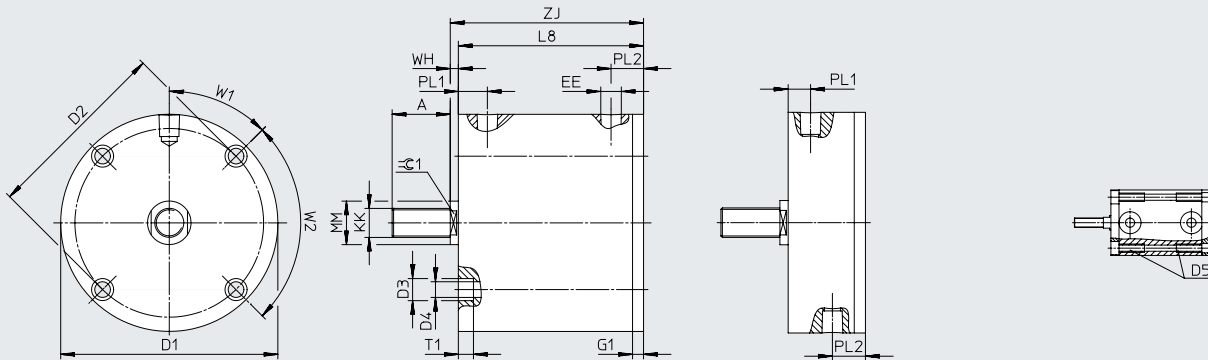
Datasheet

Dimensions – piston diameter 3/4

Download CAD data → [www.festo.com](http://www.festo.com)

- DPCA-...-1/16" ...3/8"
- DPCA-...-L4-...-1/8" ...1/4"
- DPCA-...-Q-...-1/8" ...1/4"
- DPCA-...-Q-L4-...-1/8" ...1/4"

- DPCA-...-1" ...4"
- DPCA-...-L4-...-1" ...4"
- DPCA-...-Q-...-1" ...4"
- DPCA-...-Q-L4-...-1" ...4"



Stroke [in]	A	D1 ø	D2 ø	D3 ø	D4 ø	D5	EE		G1	KK	
								[N]			[N]
1/16	0.5	1.5	1.19	0.23	0.14	–	M5	10-32	0.13	M5	10-32 UNF-2A
1/8	0.5	1.5	1.19	0.23	0.14	–	M5	10-32	0.13	M5	10-32 UNF-2A
1/4	0.5	1.5	1.19	0.23	0.14	–	M5	10-32	0.13	M5	10-32 UNF-2A
3/8	0.5	1.5	1.19	0.23	0.14	–	M5	10-32	0.13	M5	10-32 UNF-2A
1/2	0.5	1.5	1.19	0.23	0.14	–	M5	10-32	0.13	M5	10-32 UNF-2A
5/8	0.5	1.5	1.19	0.23	0.14	–	M5	10-32	0.13	M5	10-32 UNF-2A
3/4	0.5	1.5	1.19	0.23	0.14	–	M5	10-32	0.13	M5	10-32 UNF-2A
1	0.5	1.5	1.19	–	–	8-32x0.44	M5	10-32	0.13	M5	10-32 UNF-2A
1 1/4	0.5	1.5	1.19	–	–	8-32x0.44	M5	10-32	0.13	M5	10-32 UNF-2A
1 1/2	0.5	1.5	1.19	–	–	8-32x0.44	M5	10-32	0.13	M5	10-32 UNF-2A
2	0.5	1.5	1.19	–	–	8-32x0.44	M5	10-32	0.13	M5	10-32 UNF-2A
3	0.5	1.5	1.19	–	–	8-32x0.44	M5	10-32	0.13	M5	10-32 UNF-2A
4	0.5	1.5	1.19	–	–	8-32x0.44	M5	10-32	0.13	M5	10-32 UNF-2A

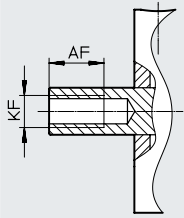
Stroke [in]	L8				MM ø	PL1	PL2	T1	W1	W2	WH	ZJ				≅ 1
		[L4]	[Q]	[Q-L4]									[L4]	[Q]	[Q-L4]	
1/16	0.7	–	–	–	0.31	0.33	0.31	0.14	90°	–	0.13	0.83	–	–	–	0.25
1/8	0.7	0.83	0.83	0.83	0.31	0.33	0.31	0.14	90°	–	0.13	0.83	0.96	0.96	0.96	0.25
1/4	0.83	0.95	0.95	0.95	0.31	0.33	0.31	0.14	90°	–	0.13	0.96	1.08	1.08	1.08	0.25
3/8	0.95	1.08	1.08	1.08	0.31	0.33	0.31	0.14	90°	–	0.13	1.08	1.21	1.21	1.21	0.25
1/2	1.08	1.23	1.23	1.23	0.31	0.33	0.31	0.14	90°	–	0.13	1.21	1.36	1.36	1.36	0.25
5/8	1.23	1.36	1.36	1.36	0.31	0.33	0.31	0.14	90°	–	0.13	1.36	1.49	1.49	1.49	0.25
3/4	1.36	–	–	–	0.31	0.33	0.31	0.14	90°	–	0.13	1.49	–	–	–	0.25
1	1.7				0.31	0.33	0.31	–	90°	–	0.13	1.83				0.25
1 1/4	1.95				0.31	0.33	0.31	–	90°	–	0.13	2.08				0.25
1 1/2	2.2				0.31	0.33	0.31	–	90°	–	0.13	2.33				0.25
2	2.83				0.31	0.42	0.31	–	90°	–	0.13	2.96				0.25
3	3.83				0.31	0.42	0.31	–	90°	–	0.13	3.96				0.25
4	4.83				0.31	0.42	0.31	–	90°	–	0.13	4.96				0.25

## Datasheet

## Dimensions – piston diameter 3/4

Download CAD data → [www.festo.com](http://www.festo.com)

[F] Internal thread



Stroke [in]	AF	AF				KF	
		[L4]	[Q]	[Q-L4]		[N]	
1/16	0.25	–	–	–	M5	10-32 UNF-2B	
1/8	0.25	0.25	0.25	0.25	M5	10-32 UNF-2B	
1/4	0.25	0.38	0.38	0.38	M5	10-32 UNF-2B	
3/8	0.38	0.38	0.38	0.38	M5	10-32 UNF-2B	
1/2	0.38	0.38	0.38	0.38	M5	10-32 UNF-2B	
5/8	0.38	0.38	0.38	0.38	M5	10-32 UNF-2B	
3/4	0.38	–	–	–	M5	10-32 UNF-2B	
1	0.38	0.38	0.38	0.38	M5	10-32 UNF-2B	
1 1/4	0.38	0.38	0.38	0.38	M5	10-32 UNF-2B	
1 1/2	0.38	0.38	0.38	0.38	M5	10-32 UNF-2B	
2	0.38	0.38	0.38	0.38	M5	10-32 UNF-2B	
3	0.38	0.38	0.38	0.38	M5	10-32 UNF-2B	
4	0.38	0.38	0.38	0.38	M5	10-32 UNF-2B	

Datasheet

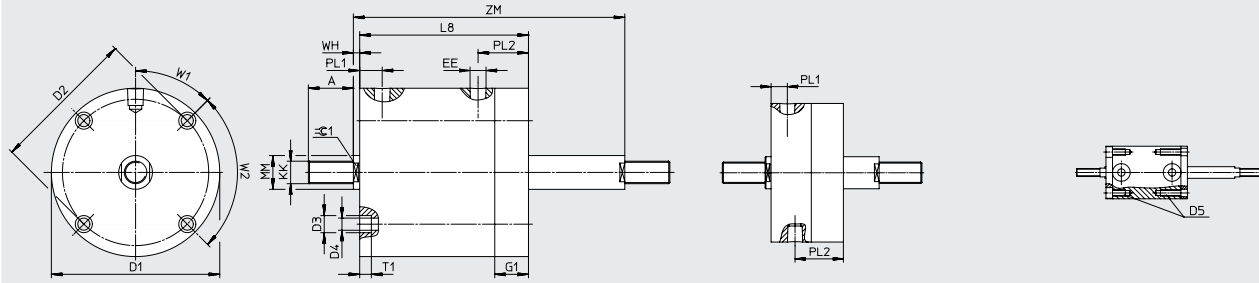
Dimensions – piston diameter 3/4

Download CAD data → [www.festo.com](http://www.festo.com)

[T] Through piston rod

DPCA-...-1/16"...1/4"  
DPCA-...-Q-...-1/8"

DPCA-...-1"...4"  
DPCA-...-Q-...-7/8"...3 7/8"



Stroke [in]	A	D1 ∅	D2 ∅	D3		D4		D5		EE		G1	KK	
				∅	[Q]	∅	[Q]	[Q]	[N]	[N]				
1/16	0.5	1.5	1.19	0.23	-	0.14	-	-	-	M5	10-32	0.14	M5	10-32 UNF-2A
1/8	0.5	1.5	1.19	0.23	0.23	0.14	0.14	-	-	M5	10-32	0.14	M5	10-32 UNF-2A
1/4	0.5	1.5	1.19	0.23	0.23	0.14	0.14	-	-	M5	10-32	0.14	M5	10-32 UNF-2A
3/8	0.5	1.5	1.19	0.23	0.23	0.14	0.14	-	-	M5	10-32	0.14	M5	10-32 UNF-2A
1/2	0.5	1.5	1.19	0.23	0.23	0.14	0.14	-	-	M5	10-32	0.14	M5	10-32 UNF-2A
5/8	0.5	1.5	1.19	0.23	0.23	0.14	0.14	-	-	M5	10-32	0.14	M5	10-32 UNF-2A
3/4	0.5	1.5	1.19	0.23	-	0.14	-	-	-	M5	10-32	0.14	M5	10-32 UNF-2A
7/8	0.5	1.5	1.19	-	-	-	-	-	8-32x0.44	M5	10-32	0.14	M5	10-32 UNF-2A
1	0.5	1.5	1.19	-	-	-	-	8-32x0.44	-	M5	10-32	0.14	M5	10-32 UNF-2A
1 1/8	0.5	1.5	1.19	-	-	-	-	-	8-32x0.44	M5	10-32	0.14	M5	10-32 UNF-2A
1 1/4	0.5	1.5	1.19	-	-	-	-	8-32x0.44	-	M5	10-32	0.14	M5	10-32 UNF-2A
1 3/8	0.5	1.5	1.19	-	-	-	-	-	8-32x0.44	M5	10-32	0.14	M5	10-32 UNF-2A
1 1/2	0.5	1.5	1.19	-	-	-	-	8-32x0.44	-	M5	10-32	0.14	M5	10-32 UNF-2A
1 7/8	0.5	1.5	1.19	-	-	-	-	-	8-32x0.44	M5	10-32	0.14	M5	10-32 UNF-2A
2	0.5	1.5	1.19	-	-	-	-	8-32x0.44	-	M5	10-32	0.14	M5	10-32 UNF-2A
2 7/8	0.5	1.5	1.19	-	-	-	-	-	8-32x0.44	M5	10-32	0.14	M5	10-32 UNF-2A
3	0.5	1.5	1.19	-	-	-	-	8-32x0.44	-	M5	10-32	0.14	M5	10-32 UNF-2A
3 7/8	0.5	1.5	1.19	-	-	-	-	-	8-32x0.44	M5	10-32	0.14	M5	10-32 UNF-2A
4	0.5	1.5	1.19	-	-	-	-	8-32x0.44	-	M5	10-32	0.14	M5	10-32 UNF-2A

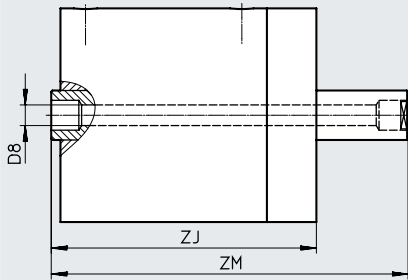
Stroke [in]	L8		MM ∅	PL1	PL2	T1		W1	W2	WH	ZM		≅1
	[Q]	[Q]				[Q]	[Q]						
1/16	0.87	-	0.31	0.33	0.33	0.14	-	90°	-	0.13	1.1925	-	0.25
1/8	0.87	1	0.31	0.33	0.33	0.14	0.14	90°	-	0.13	1.255	1.385	0.25
1/4	1	1.12	0.31	0.33	0.33	0.14	0.14	90°	-	0.13	1.51	1.63	0.25
3/8	1.12	1.25	0.31	0.33	0.33	0.14	0.14	90°	-	0.13	1.755	1.885	0.25
1/2	1.25	1.37	0.31	0.33	0.33	0.14	0.14	90°	-	0.13	2.01	2.13	0.25
5/8	1.37	1.5	0.31	0.33	0.33	0.14	0.14	90°	-	0.13	2.255	2.385	0.25
3/4	1.5	-	0.31	0.33	0.33	0.14	-	90°	-	0.13	2.51	-	0.25
7/8	-	1.75	0.31	0.33	0.33	-	-	90°	-	0.13	-	2.885	0.25
1	1.75	-	0.31	0.33	0.33	-	-	90°	-	0.13	3.01	-	0.25
1 1/8	-	2	0.31	0.33	0.33	-	-	90°	-	0.13	-	3.385	0.25
1 1/4	2	-	0.31	0.33	0.33	-	-	90°	-	0.13	3.51	-	0.25
1 3/8	-	2.25	0.31	0.33	0.33	-	-	90°	-	0.13	-	3.885	0.25
1 1/2	2.25	-	0.31	0.33	0.33	-	-	90°	-	0.13	4.01	-	0.25
1 7/8	-	2.75	0.31	0.33	0.33	-	-	90°	-	0.13	-	4.885	0.25
2	2.75	-	0.31	0.33	0.33	-	-	90°	-	0.13	5.01	-	0.25
2 7/8	-	3.75	0.31	0.33	0.33	-	-	90°	-	0.13	-	6.885	0.25
3	3.75	-	0.31	0.33	0.33	-	-	90°	-	0.13	7.01	-	0.25
3 7/8	-	4.75	0.31	0.33	0.33	-	-	90°	-	0.13	-	8.885	0.25
4	4.75	-	0.31	0.33	0.33	-	-	90°	-	0.13	9.01	-	0.25

## Datasheet

## Dimensions – piston diameter 3/4

Download CAD data → [www.festo.com](http://www.festo.com)

[H] Through, hollow piston rod



Stroke [in]	D8 ∅	ZJ		ZM	
			[Q]		[Q]
1/16	1/16	1	–	1.1925	–
1/8	1/16	1	1.13	1.255	1.385
1/4	1/16	1.13	1.25	1.51	1.63
3/8	1/16	1.25	1.38	1.755	1.885
1/2	1/16	1.38	1.5	2.01	2.13
5/8	1/16	1.5	1.63	2.255	2.385
3/4	1/16	1.63	–	2.51	–
7/8	1/16	–	1.88	–	2.885
1	1/16	1.88	–	3.01	–
1 1/8	1/16	–	2.13	–	3.385
1 1/4	1/16	2.13	–	3.51	–
1 3/8	1/16	–	2.38	–	3.885
1 1/2	1/16	2.38	–	4.01	–
1 7/8	1/16	–	2.88	–	4.885
2	1/16	2.88	–	5.01	–
2 7/8	1/16	–	3.88	–	6.885
3	1/16	3.88	–	7.01	–
3 7/8	1/16	–	4.88	–	8.885
4	1/16	4.88	–	9.01	–

Datasheet

Dimensions – piston diameter 3/4

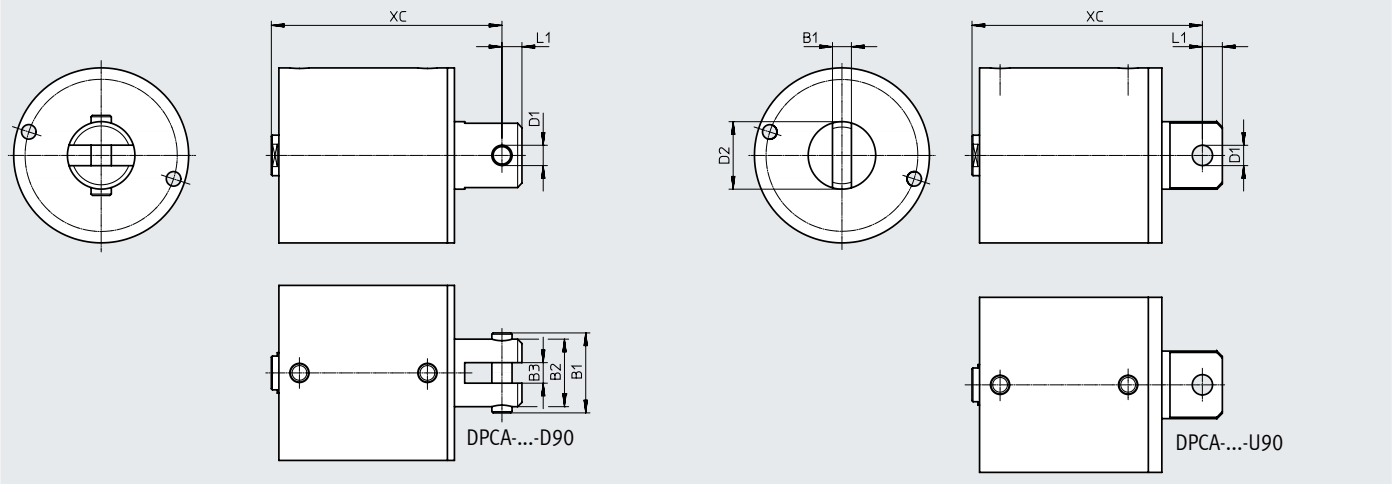
Download CAD data → [www.festo.com](http://www.festo.com)

[D] With swivel clevis

[U] With swiveling rod eye

[D90] With swivel clevis, rotated 90°

[U90] With swiveling rod eye, rotated 90°



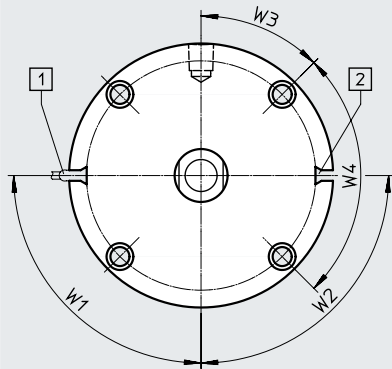
Stroke [in]	B1		B2	B3	D1 ∅		D2 ∅	L1	XC	
	[D/D90]	[U/U90]			[D/D90]	[U/U90]				[Q/L4]
1/16	0.83	0.23	0.63	0.25	0.25	0.251	0.63	0.25	1.27	–
1/8	0.83	0.23	0.63	0.25	0.25	0.251	0.63	0.25	1.27	1.4
1/4	0.83	0.23	0.63	0.25	0.25	0.251	0.63	0.25	1.4	1.52
3/8	0.83	0.23	0.63	0.25	0.25	0.251	0.63	0.25	1.52	1.65
1/2	0.83	0.23	0.63	0.25	0.25	0.251	0.63	0.25	1.65	1.8
5/8	0.83	0.23	0.63	0.25	0.25	0.251	0.63	0.25	1.8	1.93
3/4	0.83	0.23	0.63	0.25	0.25	0.251	0.63	0.25	1.93	–
1	0.83	0.23	0.63	0.25	0.25	0.251	0.63	0.25	2.27	
1 1/4	0.83	0.23	0.63	0.25	0.25	0.251	0.63	0.25	2.52	
1 1/2	0.83	0.23	0.63	0.25	0.25	0.251	0.63	0.25	2.77	
2	0.83	0.23	0.63	0.25	0.25	0.251	0.63	0.25	3.4	
3	0.83	0.23	0.63	0.25	0.25	0.251	0.63	0.25	4.4	
4	0.83	0.23	0.63	0.25	0.25	0.251	0.63	0.25	5.4	

## Datasheet

## Dimensions – piston diameter 3/4

Download CAD data → [www.festo.com](http://www.festo.com)

[A] For proximity switch



- [1] Sensor
- [2] Sensor slot

Stroke [in]	Sensor slot number	W1	W2	W3	W4
1/4	2	65°	65°	90°	–
3/8	2	65°	65°	90°	–
1/2	2	65°	65°	90°	–
5/8	2	65°	65°	90°	–
3/4	2	65°	65°	90°	–
1	2	65°	65°	90°	–
1 1/4	2	65°	65°	90°	–
1 1/2	2	65°	65°	90°	–
2	1	65°	–	90°	–
3	1	65°	–	90°	–
4	1	65°	–	90°	–



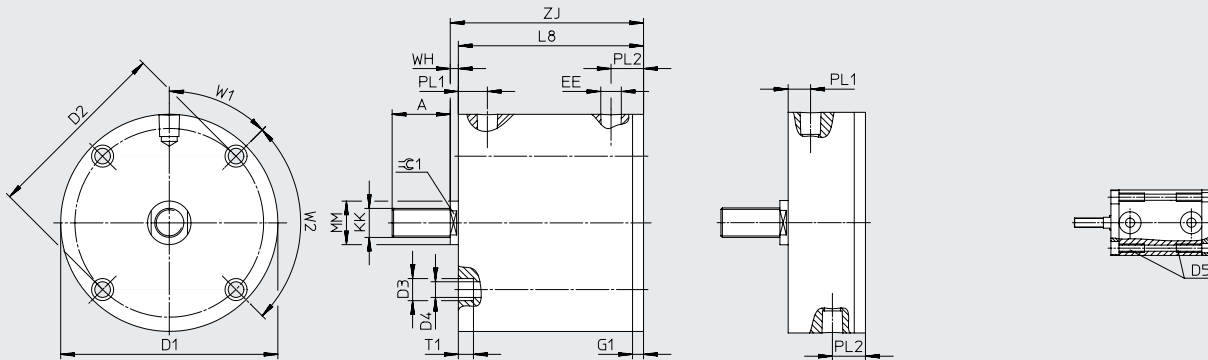
Datasheet

Dimensions – piston diameter 1 1/8"

Download CAD data → [www.festo.com](http://www.festo.com)

- DPCA-...-1/16" ... 3/8"
- DPCA-...-L4-...-1/8" ... 1/4"
- DPCA-...-Q-...-1/8" ... 1/4"
- DPCA-...-Q-L4-...-1/8" ... 1/4"

- DPCA-...-3" ... 4"
- DPCA-...-L4-...-2 7/8" ... 3 7/8"
- DPCA-...-Q-...-3" ... 4"
- DPCA-...-Q-L4-...-2 7/8" ... 3 7/8"



Stroke [in]	A	D1 ø	D2 ø	D3 ø	D4 ø	D5	EE		G1	KK	
								[N]			[N]
1/16	0.75	1.99	1.69	0.32	0.2	-	G1/8	1/8 NPT	0.13	M8	5/16-24 UNF-2A
1/8	0.75	1.99	1.69	0.32	0.2	-	G1/8	1/8 NPT	0.13	M8	5/16-24 UNF-2A
3/16	0.75	1.99	1.69	0.32	0.2	-	G1/8	1/8 NPT	0.13	M8	5/16-24 UNF-2A
1/4	0.75	1.99	1.69	0.32	0.2	-	G1/8	1/8 NPT	0.13	M8	5/16-24 UNF-2A
3/8	0.75	1.99	1.69	0.32	0.2	-	G1/8	1/8 NPT	0.13	M8	5/16-24 UNF-2A
1/2	0.75	1.99	1.69	0.32	0.2	-	G1/8	1/8 NPT	0.13	M8	5/16-24 UNF-2A
5/8	0.75	1.99	1.69	0.32	0.2	-	G1/8	1/8 NPT	0.13	M8	5/16-24 UNF-2A
3/4	0.75	1.99	1.69	0.32	0.2	-	G1/8	1/8 NPT	0.13	M8	5/16-24 UNF-2A
7/8	0.75	1.99	1.69	0.32	0.2	-	G1/8	1/8 NPT	0.13	M8	5/16-24 UNF-2A
1	0.75	1.99	1.69	0.32	0.2	-	G1/8	1/8 NPT	0.13	M8	5/16-24 UNF-2A
1 1/8	0.75	1.99	1.69	0.32	0.2	-	G1/8	1/8 NPT	0.13	M8	5/16-24 UNF-2A
1 1/4	0.75	1.99	1.69	0.32	0.2	-	G1/8	1/8 NPT	0.13	M8	5/16-24 UNF-2A
1 3/8	0.75	1.99	1.69	0.32	0.2	-	G1/8	1/8 NPT	0.13	M8	5/16-24 UNF-2A
1 1/2	0.75	1.99	1.69	0.32	0.2	-	G1/8	1/8 NPT	0.13	M8	5/16-24 UNF-2A
1 5/8	0.75	1.99	1.69	0.32	0.2	-	G1/8	1/8 NPT	0.13	M8	5/16-24 UNF-2A
1 3/4	0.75	1.99	1.69	0.32	0.2	-	G1/8	1/8 NPT	0.13	M8	5/16-24 UNF-2A
1 7/8	0.75	1.99	1.69	0.32	0.2	-	G1/8	1/8 NPT	0.13	M8	5/16-24 UNF-2A
2	0.75	1.99	1.69	0.32	0.2	-	G1/8	1/8 NPT	0.13	M8	5/16-24 UNF-2A
2 7/8	0.75	1.99	1.69	-	-	10-32x0.5	G1/8	1/8 NPT	0.13	M8	5/16-24 UNF-2A
3	0.75	1.99	1.69	-	-	10-32x0.5	G1/8	1/8 NPT	0.13	M8	5/16-24 UNF-2A
3 7/8	0.75	1.99	1.69	-	-	10-32x0.5	G1/8	1/8 NPT	0.13	M8	5/16-24 UNF-2A
4	0.75	1.99	1.69	-	-	10-32x0.5	G1/8	1/8 NPT	0.13	M8	5/16-24 UNF-2A

## Datasheet

Stroke [in]	L8			MM ∅	PL1			PL2					
		[L4]	[Q]		[Q-L4]		[L4]	[Q]	[Q-L4]		[L4]	[Q]	[Q-L4]
1/16	-	0.88	-	0.88	0.5	-	0.31	-	0.31	-	0.57	-	0.57
1/8	0.88	0.88	0.88	0.88	0.5	0.31	0.31	0.31	0.31	0.57	0.57	0.57	0.57
3/16	0.88	-	0.88	-	0.5	0.31	-	0.31	-	0.57	-	0.57	-
1/4	0.88	-	0.88	-	0.5	0.31	-	0.31	-	0.57	-	0.57	-
3/8	-	1.19	-	1.19	0.5	-	0.53	-	0.53	-	0.66	-	0.66
1/2	1.19	-	1.19	-	0.5	0.53	-	0.53	-	0.66	-	0.66	-
5/8	-	1.63	-	1.63	0.5	-	0.38	-	0.38	-	0.5	-	0.5
3/4	1.63	-	1.63	-	0.5	0.38	-	0.38	-	0.5	-	0.5	-
7/8	-	1.88	-	1.88	0.5	-	0.38	-	0.38	-	0.5	-	0.5
1	1.88	-	1.88	-	0.5	0.38	-	0.38	-	0.5	-	0.5	-
1 1/8	-	2.13	-	2.13	0.5	-	0.38	-	0.38	-	0.5	-	0.5
1 1/4	2.13	-	2.13	-	0.5	0.38	-	0.38	-	0.5	-	0.5	-
1 3/8	-	2.38	-	2.38	0.5	-	0.38	-	0.38	-	0.5	-	0.5
1 1/2	2.38	-	2.38	-	0.5	0.38	-	0.38	-	0.5	-	0.5	-
1 5/8	-	2.81	-	2.81	0.5	-	0.56	-	0.56	-	0.5	-	0.5
1 3/4	2.81	-	2.81	-	0.5	0.56	-	0.56	-	0.5	-	0.5	-
1 7/8	-	3.25	-	3.25	0.5	-	0.75	-	0.75	-	0.5	-	0.5
2	3.25	-	3.25	-	0.5	0.75	-	0.75	-	0.5	-	0.5	-
2 7/8	-	3.85	-	3.85	0.5	-	0.38	-	0.38	-	0.5	-	0.5
3	3.85	-	3.85	-	0.5	0.38	-	0.38	-	0.5	-	0.5	-
3 7/8	-	4.85	-	4.85	0.5	-	0.38	-	0.38	-	0.5	-	0.5
4	4.85	-	4.85	-	0.5	0.38	-	0.38	-	0.5	-	0.5	-

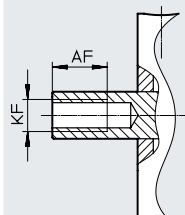
Stroke [in]	T1	W1	W2	WH	Zj			≈ 1	
						[L4]	[Q]		[Q-L4]
1/16	0.19	90°	-	0.14	-	1.02	-	1.02	0.44
1/8	0.19	90°	-	0.14	1.02	1.02	1.02	1.02	0.44
3/16	0.19	90°	-	0.14	1.02	-	1.02	-	0.44
1/4	0.19	90°	-	0.14	1.02	-	1.02	-	0.44
3/8	0.19	90°	-	0.14	-	1.33	-	1.33	0.44
1/2	0.19	90°	-	0.14	1.33	-	1.33	-	0.44
5/8	0.19	90°	-	0.14	-	1.77	-	1.77	0.44
3/4	0.19	90°	-	0.14	1.77	-	1.77	-	0.44
7/8	0.19	90°	-	0.14	-	2.02	-	2.02	0.44
1	0.19	90°	-	0.14	2.02	-	2.02	-	0.44
1 1/8	0.19	90°	-	0.14	-	2.27	-	2.27	0.44
1 1/4	0.19	90°	-	0.14	2.27	-	2.27	-	0.44
1 3/8	0.19	90°	-	0.14	-	2.52	-	2.52	0.44
1 1/2	0.19	90°	-	0.14	2.52	-	2.52	-	0.44
1 5/8	0.19	90°	-	0.14	-	2.95	-	2.95	0.44
1 3/4	0.19	90°	-	0.14	2.95	-	2.95	-	0.44
1 7/8	0.19	90°	-	0.14	-	3.39	-	3.39	0.44
2	0.19	90°	-	0.14	3.39	-	3.39	-	0.44
2 7/8	-	90°	-	0.14	-	3.99	-	3.99	0.44
3	-	90°	-	0.14	3.99	-	3.99	-	0.44
3 7/8	-	90°	-	0.14	-	4.99	-	4.99	0.44
4	-	90°	-	0.14	4.99	-	4.99	-	0.44

## Datasheet

## Dimensions – piston diameter 1 1/8

Download CAD data → [www.festo.com](http://www.festo.com)

[F] Internal thread



Stroke [in]	AF	AF				KF	
		[L4]	[Q]	[Q-L4]		[N]	
1/16	–	0.38	–	0.38	M8	5/16-24 UNF-2B	
1/8	0.38	0.38	0.38	0.38	M8	5/16-24 UNF-2B	
3/16	0.38	–	0.38	–	M8	5/16-24 UNF-2B	
1/4	0.38	–	0.38	–	M8	5/16-24 UNF-2B	
3/8	–	0.38	–	0.38	M8	5/16-24 UNF-2B	
1/2	0.38	–	0.38	–	M8	5/16-24 UNF-2B	
5/8	–	0.63	–	0.63	M8	5/16-24 UNF-2B	
3/4	0.63	–	0.63	–	M8	5/16-24 UNF-2B	
7/8	–	0.63	–	0.63	M8	5/16-24 UNF-2B	
1	0.63	–	0.63	–	M8	5/16-24 UNF-2B	
1 1/8	–	0.63	–	0.63	M8	5/16-24 UNF-2B	
1 1/4	0.63	–	0.63	–	M8	5/16-24 UNF-2B	
1 3/8	–	0.63	–	0.63	M8	5/16-24 UNF-2B	
1 1/2	0.63	–	0.63	–	M8	5/16-24 UNF-2B	
1 5/8	–	0.63	–	0.63	M8	5/16-24 UNF-2B	
1 3/4	0.63	–	0.63	–	M8	5/16-24 UNF-2B	
1 7/8	–	0.63	–	0.63	M8	5/16-24 UNF-2B	
2	0.63	–	0.63	–	M8	5/16-24 UNF-2B	
2 7/8	–	0.63	–	0.63	M8	5/16-24 UNF-2B	
3	0.63	–	0.63	–	M8	5/16-24 UNF-2B	
3 7/8	–	0.63	–	0.63	M8	5/16-24 UNF-2B	
4	0.63	–	0.63	–	M8	5/16-24 UNF-2B	

Datasheet

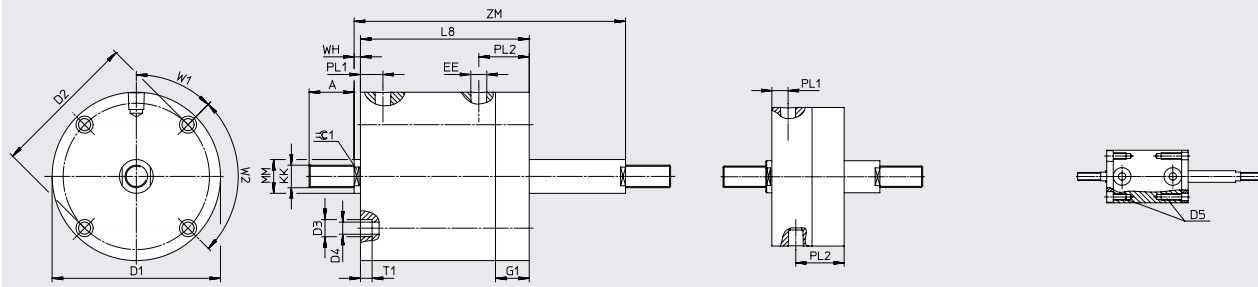
Dimensions – piston diameter 1 1/8

Download CAD data → [www.festo.com](http://www.festo.com)

[T] Through piston rod

DPCA-...-1/8" ...1/2"  
DPCA-...-Q-...-1/8" ...1/2"

DPCA-...-3" ...4"  
DPCA-...-Q-...-3" ...4"



Stroke [in]	A	D1 ∅	D2 ∅	D3 ∅	D4 ∅	D5	EE		G1	KK	
								[N]			[N]
1/8	0.75	1.99	1.69	0.32	0.2	-	G1/8	1/8 NPT	0.47	M8	5/16-24 UNF-2A
3/16	0.75	1.99	1.69	0.32	0.2	-	G1/8	1/8 NPT	0.47	M8	5/16-24 UNF-2A
1/4	0.75	1.99	1.69	0.32	0.2	-	G1/8	1/8 NPT	0.47	M8	5/16-24 UNF-2A
1/2	0.75	1.99	1.69	0.32	0.2	-	G1/8	1/8 NPT	0.47	M8	5/16-24 UNF-2A
3/4	0.75	1.99	1.69	0.32	0.2	-	G1/8	1/8 NPT	0.47	M8	5/16-24 UNF-2A
1	0.75	1.99	1.69	0.32	0.2	-	G1/8	1/8 NPT	0.47	M8	5/16-24 UNF-2A
1 1/4	0.75	1.99	1.69	0.32	0.2	-	G1/8	1/8 NPT	0.47	M8	5/16-24 UNF-2A
1 1/2	0.75	1.99	1.69	0.32	0.2	-	G1/8	1/8 NPT	0.47	M8	5/16-24 UNF-2A
1 3/4	0.75	1.99	1.69	0.32	0.2	-	G1/8	1/8 NPT	0.47	M8	5/16-24 UNF-2A
2	0.75	1.99	1.69	0.32	0.2	-	G1/8	1/8 NPT	0.47	M8	5/16-24 UNF-2A
3	0.75	1.99	1.69	-	-	10-32x0.5	G1/8	1/8 NPT	0.47	M8	5/16-24 UNF-2A
4	0.75	1.99	1.69	-	-	10-32x0.5	G1/8	1/8 NPT	0.47	M8	5/16-24 UNF-2A

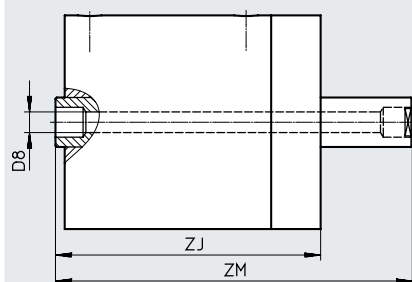
Stroke [in]	L8	MM ∅	PL1	PL2	T1	W1	W2	WH	ZM	⊖ 1
1/8	1.22	0.5	0.31	0.91	0.18	90°	-	0.14	1.625	0.44
3/16	1.22	0.5	0.31	0.91	0.18	90°	-	0.14	1.6875	0.44
1/4	1.22	0.5	0.31	0.91	0.18	90°	-	0.14	1.75	0.44
1/2	1.53	0.5	0.53	1	0.18	90°	-	0.14	2.31	0.44
3/4	1.97	0.5	0.38	0.84	0.18	90°	-	0.14	3	0.44
1	2.22	0.5	0.38	0.84	0.18	90°	-	0.14	3.5	0.44
1 1/4	2.47	0.5	0.38	0.84	0.18	90°	-	0.14	4	0.44
1 1/2	2.72	0.5	0.38	0.84	0.18	90°	-	0.14	4.5	0.44
1 3/4	3.16	0.5	0.56	0.85	0.18	90°	-	0.14	5.19	0.44
2	3.6	0.5	0.75	0.85	0.18	90°	-	0.14	5.88	0.44
3	4.19	0.5	0.38	0.84	-	90°	-	0.14	7.47	0.44
4	5.19	0.5	0.38	0.84	-	90°	-	0.14	9.47	0.44

## Datasheet

## Dimensions – piston diameter 1 1/8

Download CAD data → [www.festo.com](http://www.festo.com)

[H] Through, hollow piston rod

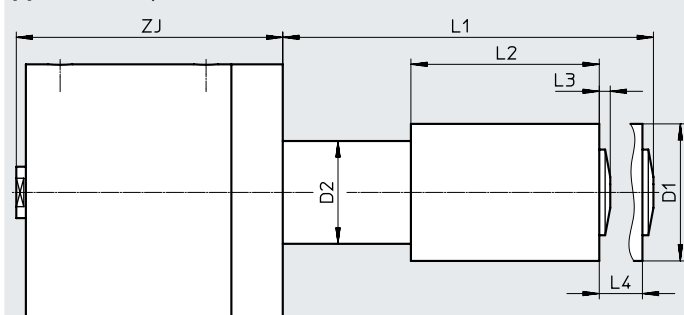


Stroke [in]	D8 ø	ZJ	ZM
1/8	5/32	1.36	1.625
3/16	5/32	1.36	1.6875
1/4	5/32	1.36	1.75
1/2	5/32	1.67	2.31
3/4	5/32	2.11	3
1	5/32	2.36	3.5
1 1/4	5/32	2.61	4
1 1/2	5/32	2.86	4.5
1 3/4	5/32	3.3	5.19
2	5/32	3.74	5.88
3	5/32	4.33	7.47
4	5/32	5.33	9.47

## Dimensions – piston diameter 1 1/8

Download CAD data → [www.festo.com](http://www.festo.com)

[E] Stroke adjustment



Stroke [in]	D1 ø	D2 ø	L1	L2	L3	L4	ZJ
1/8	1.5	1.13	1.4	0.63	0.14	0.5	1.36
3/16	1.5	1.13	1.53	0.69	0.15	0.5	1.36
1/4	1.5	1.13	1.66	0.75	0.16	0.5	1.36
1/2	1.5	1.13	2.16	1	0.16	0.5	1.67
3/4	1.5	1.13	2.66	1.25	0.16	0.5	2.11
1	1.5	1.13	3.16	1.5	0.16	0.5	2.36
1 1/4	1.5	1.13	3.66	1.75	0.16	0.5	2.61
1 1/2	1.5	1.13	4.16	2	0.16	0.5	2.86
1 3/4	1.5	1.13	4.66	2.25	0.16	0.5	3.3
2	1.5	1.13	5.16	2.5	0.16	0.5	3.74
3	1.5	1.13	7.16	3.5	0.16	0.5	4.33
4	1.5	1.13	9.16	4.5	0.16	0.5	5.33

Datasheet

Dimensions – piston diameter 1 1/8

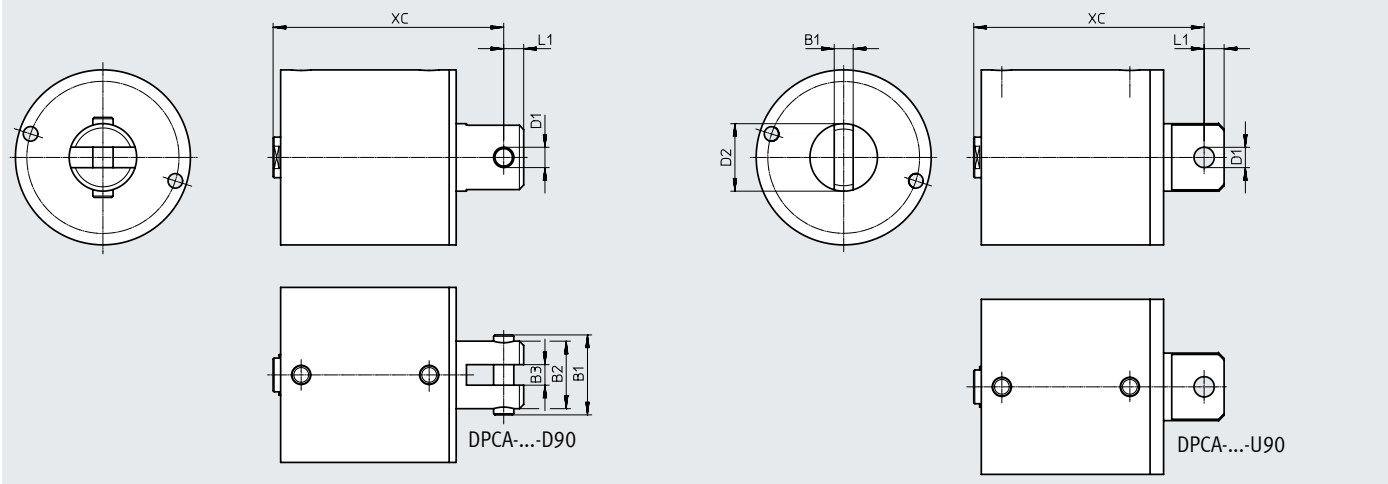
Download CAD data → [www.festo.com](http://www.festo.com)

[D] With swivel clevis

[D90] With swivel clevis, rotated 90°

[U] With swiveling rod eye

[U90] With swiveling rod eye, rotated 90°



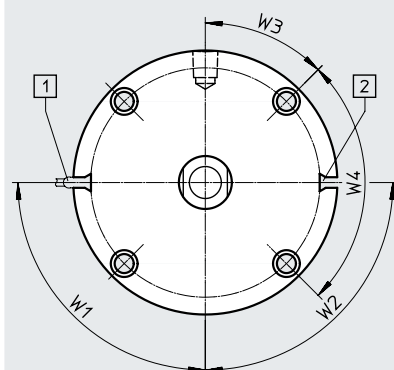
Stroke [in]	B1		B2	B3	D1 ∅		D2 ∅	L1	XC			
	[D/D90]	[U/U90]			[D/D90]	[U/U90]			[L4]	[Q]	[Q-L4]	
1/16	1.21	0.3	1	0.31	0.3125	0.3135	1	0.37	-	1.83	-	1.83
1/8	1.21	0.3	1	0.31	0.3125	0.3135	1	0.37	1.83	1.83	1.83	1.83
3/16	1.21	0.3	1	0.31	0.3125	0.3135	1	0.37	1.83	-	1.83	-
1/4	1.21	0.3	1	0.31	0.3125	0.3135	1	0.37	1.83	-	1.83	-
3/8	1.21	0.3	1	0.31	0.3125	0.3135	1	0.37	-	2.14	-	2.14
1/2	1.21	0.3	1	0.31	0.3125	0.3135	1	0.37	2.14	-	2.14	-
5/8	1.21	0.3	1	0.31	0.3125	0.3135	1	0.37	-	2.58	-	2.58
3/4	1.21	0.3	1	0.31	0.3125	0.3135	1	0.37	2.58	-	2.58	-
7/8	1.21	0.3	1	0.31	0.3125	0.3135	1	0.37	-	2.83	-	2.83
1	1.21	0.3	1	0.31	0.3125	0.3135	1	0.37	2.83	-	2.83	-
1 1/8	1.21	0.3	1	0.31	0.3125	0.3135	1	0.37	-	3.08	-	3.08
1 1/4	1.21	0.3	1	0.31	0.3125	0.3135	1	0.37	3.08	-	3.08	-
1 3/8	1.21	0.3	1	0.31	0.3125	0.3135	1	0.37	-	3.33	-	3.33
1 1/2	1.21	0.3	1	0.31	0.3125	0.3135	1	0.37	3.33	-	3.33	-
1 5/8	1.21	0.3	1	0.31	0.3125	0.3135	1	0.37	-	3.76	-	3.76
1 3/4	1.21	0.3	1	0.31	0.3125	0.3135	1	0.37	3.76	-	3.76	-
1 7/8	1.21	0.3	1	0.31	0.3125	0.3135	1	0.37	-	4.2	-	4.2
2	1.21	0.3	1	0.31	0.3125	0.3135	1	0.37	4.2	-	4.2	-
2 7/8	1.21	0.3	1	0.31	0.3125	0.3135	1	0.37	-	4.8	-	4.8
3	1.21	0.3	1	0.31	0.3125	0.3135	1	0.37	4.8	-	4.8	-
3 7/8	1.21	0.3	1	0.31	0.3125	0.3135	1	0.37	-	5.8	-	5.8
4	1.21	0.3	1	0.31	0.3125	0.3135	1	0.37	5.8	-	5.8	-

## Datasheet

## Dimensions – piston diameter 1 1/8

Download CAD data → [www.festo.com](http://www.festo.com)

[A] For proximity switch



[1] Sensor  
[2] Sensor slot

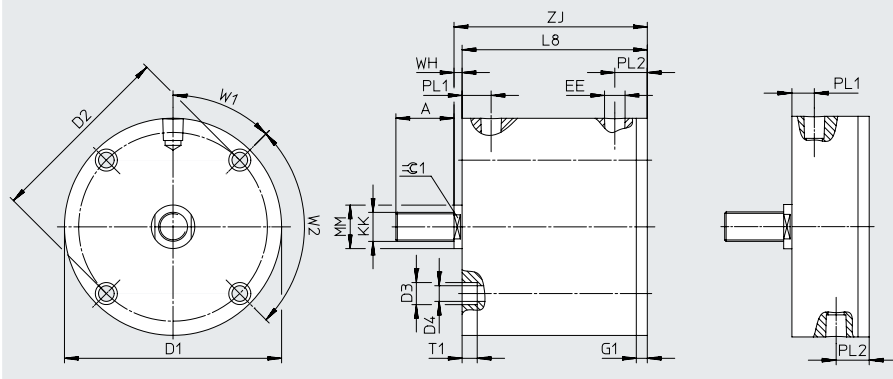
Stroke [in]	Sensor slot number				W1	W2				W3	W4
		[L4]	[Q]	[Q-L4]			[L4]	[Q]	[Q-L4]		
3/8	–	2	–	–	40°	–	40°	–	–	90°	–
1/2	2	–	–	–	40°	40°	–	–	–	90°	–
5/8	–	2	–	2	40°	–	40°	–	40°	90°	–
3/4	2	–	2	–	40°	40°	–	40°	–	90°	–
7/8	–	2	–	2	40°	–	40°	–	40°	90°	–
1	2	–	2	–	40°	40°	–	40°	–	90°	–
1 1/8	–	1	–	2	40°	–	–	–	40°	90°	–
1 1/4	2	–	2	–	40°	40°	–	40°	–	90°	–
1 3/8	–	1	–	2	40°	–	–	–	40°	90°	–
1 1/2	1	–	1	–	40°	–	–	–	–	90°	–
1 5/8	–	1	–	1	40°	–	–	–	–	90°	–
1 3/4	1	–	1	–	40°	–	–	–	–	90°	–
1 7/8	–	1	–	1	40°	–	–	–	–	90°	–
2	1	–	1	–	40°	–	–	–	–	90°	–
2 7/8	–	1	–	1	40°	–	–	–	–	90°	–
3	1	–	1	–	40°	–	–	–	–	90°	–
3 7/8	–	1	–	1	40°	–	–	–	–	90°	–
4	1	–	1	–	40°	–	–	–	–	90°	–

Datasheet

Dimensions – piston diameter 1 5/8

Download CAD data → [www.festo.com](http://www.festo.com)

DPCA-...-1/8" ...1/4"  
 DPCA-...-Q-...-1/8" ...1/4"



Stroke [in]	A	D1 ø	D2 ø	D3 ø	D4 ø	EE		G1				KK	
							[N]		[L4]	[Q]	[Q-L4]		[N]
1/8	0.88	2.74	2.38	0.32	0.2	G1/8	1/8 NPT	0.13	-	0.25	-	M10	3/8-24 UNF-2A
1/4	0.88	2.74	2.38	0.32	0.2	G1/8	1/8 NPT	0.13	0.13	0.25	0.25	M10	3/8-24 UNF-2A
1/2	0.88	2.74	2.38	0.32	0.2	G1/8	1/8 NPT	0.13	0.13	0.25	0.25	M10	3/8-24 UNF-2A
3/4	0.88	2.74	2.38	0.32	0.2	G1/8	1/8 NPT	0.13	0.13	0.25	0.25	M10	3/8-24 UNF-2A
1	0.88	2.74	2.38	0.32	0.2	G1/8	1/8 NPT	0.13	-	0.25	-	M10	3/8-24 UNF-2A
1 1/4	0.88	2.74	2.38	0.32	0.2	G1/8	1/8 NPT	-	0.13	-	0.25	M10	3/8-24 UNF-2A
1 1/2	0.88	2.74	2.38	0.32	0.2	G1/8	1/8 NPT	0.13	-	0.25	-	M10	3/8-24 UNF-2A
1 3/4	0.88	2.74	2.38	0.32	0.2	G1/8	1/8 NPT	-	0.13	-	0.25	M10	3/8-24 UNF-2A
2	0.88	2.74	2.38	0.32	0.2	G1/8	1/8 NPT	0.13	-	0.25	-	M10	3/8-24 UNF-2A
2 3/4	0.88	2.74	2.38	0.32	0.2	G1/8	1/8 NPT	-	0.13	-	0.25	M10	3/8-24 UNF-2A
3	0.88	2.74	2.38	0.32	0.2	G1/8	1/8 NPT	0.13	-	0.25	-	M10	3/8-24 UNF-2A
3 3/4	0.88	2.74	2.38	0.32	0.2	G1/8	1/8 NPT	-	0.13	-	0.25	M10	3/8-24 UNF-2A
4	0.88	2.74	2.38	0.32	0.2	G1/8	1/8 NPT	0.13	-	0.25	-	M10	3/8-24 UNF-2A

Stroke [in]	L8				MM ø	PL1				PL2			
		[L4]	[Q]	[Q-L4]			[L4]	[Q]	[Q-L4]		[L4]	[Q]	[Q-L4]
1/8	1	-	1.13	-	0.62	0.5	-	0.5	-	0.5	-	0.63	-
1/4	1.13	1.63	1.26	1.76	0.62	0.5	0.38	0.5	0.38	0.63	0.5	0.63	0.63
1/2	1.68	1.88	1.76	2.01	0.62	0.38	0.38	0.38	0.38	0.5	0.45	0.63	0.58
3/4	1.88	2.19	2.01	2.32	0.62	0.38	0.38	0.38	0.38	0.5	0.5	0.63	0.63
1	2.19	-	2.32	-	0.62	0.38	-	0.38	-	0.5	-	0.63	-
1 1/4	-	2.69	-	2.82	0.62	-	0.38	-	0.38	-	0.5	-	0.63
1 1/2	2.69	-	2.82	-	0.62	0.38	-	0.38	-	0.5	-	0.63	-
1 3/4	-	3.19	-	3.32	0.62	-	0.38	-	0.38	-	0.5	-	0.63
2	3.19	-	3.32	-	0.62	0.38	-	0.38	-	0.5	-	0.63	-
2 3/4	-	4.19	-	4.32	0.62	-	0.38	-	0.38	-	0.5	-	0.63
3	4.19	-	4.32	-	0.62	0.38	-	0.38	-	0.5	-	0.63	-
3 3/4	-	5.19	-	5.32	0.62	-	0.38	-	0.38	-	0.5	-	0.63
4	5.19	-	5.32	-	0.62	0.38	-	0.38	-	0.5	-	0.63	-



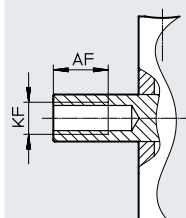
## Datasheet

Stroke [in]	T1	W1	W2	WH	ZJ			⊕ 1	
					[L4]	[Q]	[Q-L4]		
1/8	0.19	90°	–	0.14	1.14	–	1.27	–	0.5
1/4	0.19	90°	–	0.14	1.27	1.77	1.4	1.9	0.5
1/2	0.19	90°	–	0.14	1.77	2.02	1.9	2.15	0.5
3/4	0.19	90°	–	0.14	2.02	2.33	2.15	2.46	0.5
1	0.19	90°	–	0.14	2.33	–	2.46	–	0.5
1 1/4	0.19	90°	–	0.14	–	2.83	–	2.96	0.5
1 1/2	0.19	90°	–	0.14	2.83	–	2.96	–	0.5
1 3/4	0.19	90°	–	0.14	–	3.33	–	3.46	0.5
2	0.19	90°	–	0.14	3.33	–	3.46	–	0.5
2 3/4	0.19	90°	–	0.14	–	4.33	–	4.46	0.5
3	0.19	90°	–	0.14	4.33	–	4.46	–	0.5
3 3/4	0.19	90°	–	0.14	–	5.33	–	5.46	0.5
4	0.19	90°	–	0.14	5.33	–	5.46	–	0.5

## Dimensions – piston diameter 1 5/8

Download CAD data → [www.festo.com](http://www.festo.com)

[F] Internal thread



Stroke [in]	AF	AF			KF	
		[L4]	[Q]	[Q-L4]		[N]
1/8	0.38	–	0.38	–	M10	3/8-24 UNF-2B
1/4	0.44	0.63	0.44	0.63	M10	3/8-24 UNF-2B
1/2	0.63	0.63	0.63	0.63	M10	3/8-24 UNF-2B
3/4	0.63	0.75	0.63	0.75	M10	3/8-24 UNF-2B
1	0.75	–	0.75	–	M10	3/8-24 UNF-2B
1 1/4	–	0.75	–	0.75	M10	3/8-24 UNF-2B
1 1/2	0.75	–	0.75	–	M10	3/8-24 UNF-2B
1 3/4	–	0.75	–	0.75	M10	3/8-24 UNF-2B
2	0.75	–	0.75	–	M10	3/8-24 UNF-2B
2 3/4	–	0.75	–	0.75	M10	3/8-24 UNF-2B
3	0.75	–	0.75	–	M10	3/8-24 UNF-2B
3 3/4	–	0.75	–	0.75	M10	3/8-24 UNF-2B
4	0.75	–	0.75	–	M10	3/8-24 UNF-2B

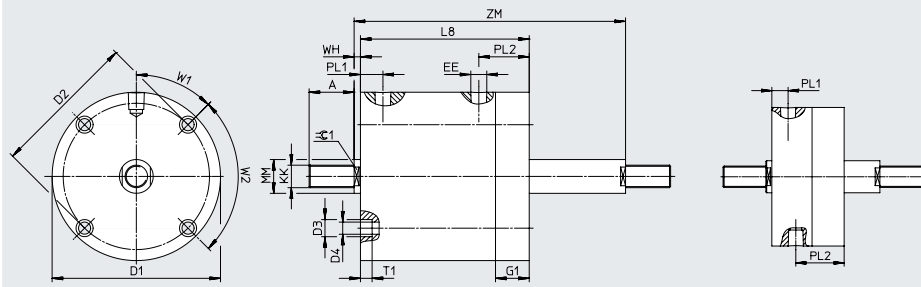
Datasheet

Dimensions – piston diameter 1 5/8

Download CAD data → [www.festo.com](http://www.festo.com)

[T] Through piston rod

DPCA-...-1/8" ...1/4"  
 DPCA-...-Q-...-1/8" ...1/4"



Stroke [in]	A	D1 ∅	D2 ∅	D3 ∅	D4 ∅	EE		G1	KK	
							[N]			[N]
1/8	0.88	2.74	2.38	0.32	0.2	G1/8	1/8 NPT	0.6	M10	3/8-24 UNF-2A
1/4	0.88	2.74	2.38	0.32	0.2	G1/8	1/8 NPT	0.6	M10	3/8-24 UNF-2A
1/2	0.88	2.74	2.38	0.32	0.2	G1/8	1/8 NPT	0.6	M10	3/8-24 UNF-2A
3/4	0.88	2.74	2.38	0.32	0.2	G1/8	1/8 NPT	0.6	M10	3/8-24 UNF-2A
1	0.88	2.74	2.38	0.32	0.2	G1/8	1/8 NPT	0.6	M10	3/8-24 UNF-2A
1 1/2	0.88	2.74	2.38	0.32	0.2	G1/8	1/8 NPT	0.6	M10	3/8-24 UNF-2A
2	0.88	2.74	2.38	0.32	0.2	G1/8	1/8 NPT	0.6	M10	3/8-24 UNF-2A
3	0.88	2.74	2.38	0.32	0.2	G1/8	1/8 NPT	0.6	M10	3/8-24 UNF-2A
4	0.88	2.74	2.38	0.32	0.2	G1/8	1/8 NPT	0.6	M10	3/8-24 UNF-2A

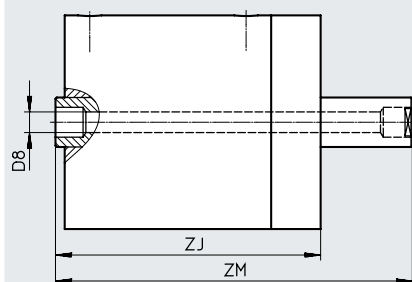
Stroke [in]	L8	MM ∅		PL1	PL2	T1	W1	W2	WH	ZM	⊖ 1
			[Q]								
1/8	1.47	0.62	0.5	0.5	0.97	0.19	90°	–	0.14	1.875	0.5
1/4	1.6	0.62	0.5	0.5	1.1	0.19	90°	–	0.14	2.13	0.5
1/2	2.1	0.62	0.5	0.38	0.97	0.19	90°	–	0.14	2.88	0.5
3/4	2.35	0.62	0.5	0.38	0.97	0.19	90°	–	0.14	3.38	0.5
1	2.66	0.62	0.5	0.38	0.97	0.19	90°	–	0.14	3.94	0.5
1 1/2	3.16	0.62	0.5	0.38	0.97	0.19	90°	–	0.14	4.94	0.5
2	3.66	0.62	0.5	0.38	0.97	0.19	90°	–	0.14	5.94	0.5
3	4.66	0.62	0.5	0.38	0.97	0.19	90°	–	0.14	7.94	0.5
4	5.66	0.62	0.5	0.38	0.97	0.19	90°	–	0.14	9.94	0.5

## Datasheet

## Dimensions – piston diameter 1 5/8

Download CAD data → [www.festo.com](http://www.festo.com)

[H] Through, hollow piston rod

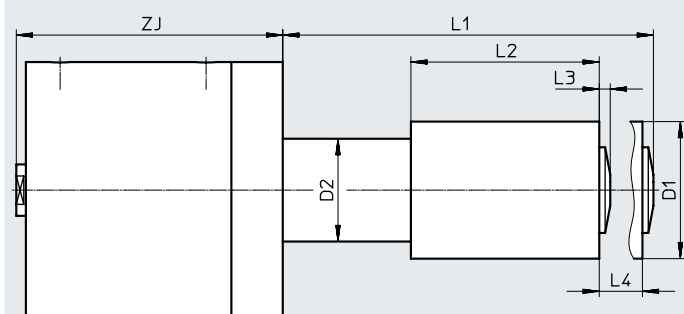


Stroke [in]	D8 ∅	ZJ	ZM
1/8	1/4	1.61	1.875
1/4	1/4	1.74	2.13
1/2	1/4	2.24	2.88
3/4	1/4	2.49	3.38
1	1/4	2.8	3.94
1 1/2	1/4	3.3	4.94
2	1/4	3.8	5.94
3	1/4	4.8	7.94
4	1/4	5.8	9.94

## Dimensions – piston diameter 1 5/8

Download CAD data → [www.festo.com](http://www.festo.com)

[E] Stroke adjustment



Stroke [in]	D1 ∅	D2 ∅	L1	L2	L3	L4	ZJ
1/8	2	1.5	1.4	0.63	0.14	0.5	1.61
1/4	2	1.5	1.66	0.75	0.16	0.5	1.74
1/2	2	1.5	2.16	1	0.16	0.5	2.24
3/4	2	1.5	2.66	1.25	0.16	0.5	2.49
1	2	1.5	3.16	1.5	0.16	0.5	2.8
1 1/2	2	1.5	4.16	2	0.16	0.5	3.3
2	2	1.5	5.16	2.5	0.16	0.5	3.8
3	2	1.5	7.16	3.5	0.16	0.5	4.8
4	2	1.5	9.16	4.5	0.16	0.5	5.8

Datasheet

Dimensions – piston diameter 1 5/8

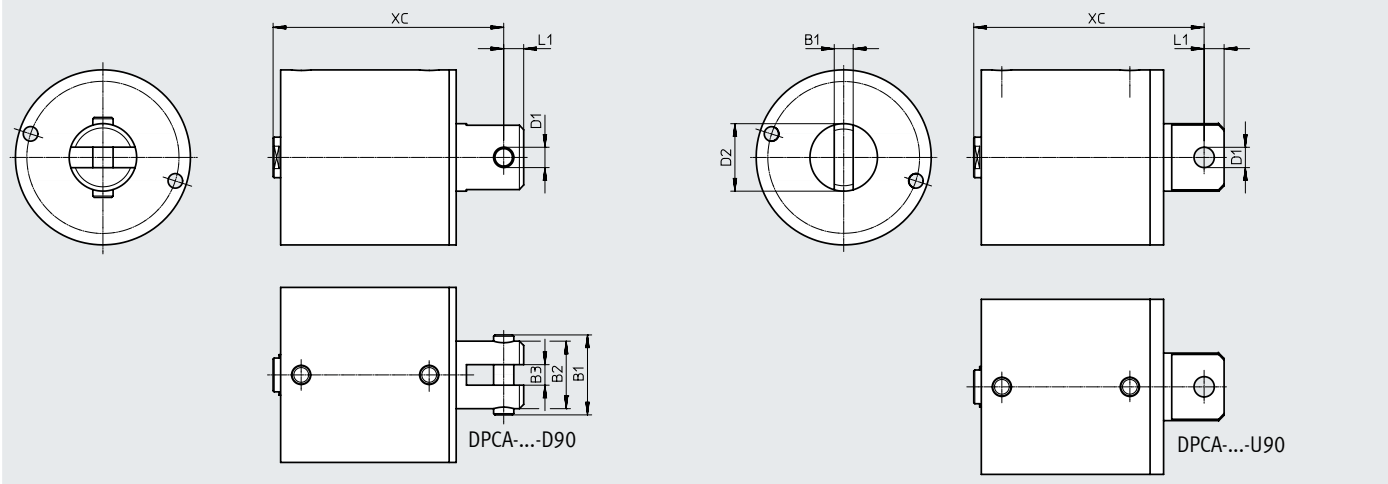
Download CAD data → [www.festo.com](http://www.festo.com)

[D] With swivel clevis

[D90] With swivel clevis, rotated 90°

[U] With swiveling rod eye

[U90] With swiveling rod eye, rotated 90°



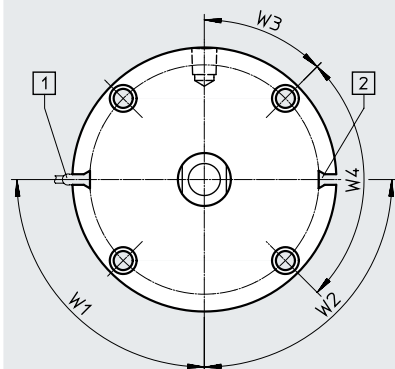
Stroke [in]	B1		B2	B3	D1 ∅		D2 ∅	L1	XC			
	[D/D90]	[U/U90]			[D/D90]	[U/U90]				[L4]	[Q]	[Q-L4]
1/8	1.48	0.35	1.25	0.38	0.375	0.376	1.25	0.37	2.02	–	2.02	–
1/4	1.48	0.35	1.25	0.38	0.375	0.376	1.25	0.37	2.15	2.65	2.15	2.65
1/2	1.48	0.35	1.25	0.38	0.375	0.376	1.25	0.37	2.65	2.9	2.65	2.9
3/4	1.48	0.35	1.25	0.38	0.375	0.376	1.25	0.37	2.9	3.21	2.9	3.21
1	1.48	0.35	1.25	0.38	0.375	0.376	1.25	0.37	3.21	–	3.21	–
1 1/4	1.48	0.35	1.25	0.38	0.375	0.376	1.25	0.37	–	3.71	–	3.71
1 1/2	1.48	0.35	1.25	0.38	0.375	0.376	1.25	0.37	3.71	–	3.71	–
1 3/4	1.48	0.35	1.25	0.38	0.375	0.376	1.25	0.37	–	4.21	–	4.21
2	1.48	0.35	1.25	0.38	0.375	0.376	1.25	0.37	4.21	–	4.21	–
2 3/4	1.48	0.35	1.25	0.38	0.375	0.376	1.25	0.37	–	5.21	–	5.21
3	1.48	0.35	1.25	0.38	0.375	0.376	1.25	0.37	5.21	–	5.21	–
3 3/4	1.48	0.35	1.25	0.38	0.375	0.376	1.25	0.37	–	6.21	–	6.21
4	1.48	0.35	1.25	0.38	0.375	0.376	1.25	0.37	6.21	–	6.21	–

Datasheet

**Dimensions – piston diameter 1 5/8**

Download CAD data → [www.festo.com](http://www.festo.com)

[A] For proximity switch



- [1] Sensor
- [2] Sensor slot

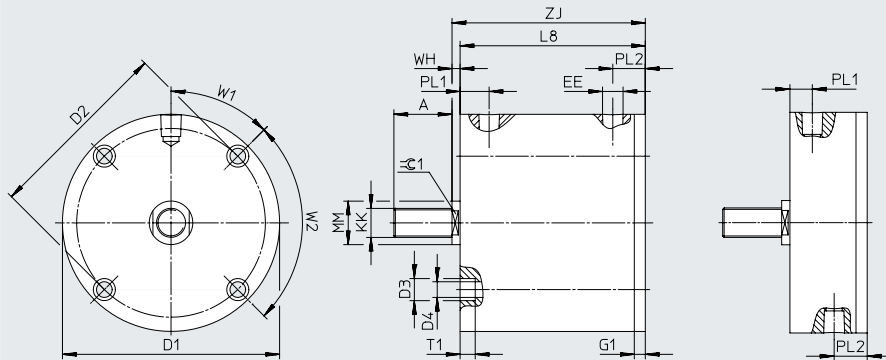
Stroke [in]	Sensor slot number				W1	W2				W3	W4
		[L4]	[Q]	[Q-L4]			[L4]	[Q]	[Q-L4]		
1/4	2	2	2	2	45°	45°	45°	45°	45°	90°	–
1/2	2	2	2	2	45°	45°	45°	45°	45°	90°	–
3/4	2	2	2	2	45°	45°	45°	45°	45°	90°	–
1	2	–	2	–	45°	45°	–	45°	–	90°	–
1 1/4	–	1	–	1	45°	–	–	–	–	90°	–
1 1/2	1	–	1	–	45°	–	–	–	–	90°	–
1 3/4	–	1	–	1	45°	–	–	–	–	90°	–
2	1	–	1	–	45°	–	–	–	–	90°	–
2 3/4	–	1	–	1	45°	–	–	–	–	90°	–
3	1	–	1	–	45°	–	–	–	–	90°	–
3 3/4	–	1	–	1	45°	–	–	–	–	90°	–
4	1	–	1	–	45°	–	–	–	–	90°	–

Datasheet

Dimensions – piston diameter 2

Download CAD data → [www.festo.com](http://www.festo.com)

- DPCA-...-1/8" ...3/8"
- DPCA-...-L4-...-1/8"
- DPCA-...-Q-...-1/8" ...3/8"
- DPCA-...-Q-L4-...-1/8"



Stroke [in]	A	D1 ø	D2 ø	D3 ø	D4 ø	EE		G1				KK	
							[N]		[L4]	[Q]	[Q-L4]		[N]
1/8	1	3.24	2.81	0.38	0.27	G1/8	1/8 NPT	0.13	0.13	0.25	0.25	M12	1/2-20 UNF-2A
1/4	1	3.24	2.81	0.38	0.27	G1/8	1/8 NPT	0.13	0.13	0.25	0.25	M12	1/2-20 UNF-2A
3/8	1	3.24	2.81	0.38	0.27	G1/8	1/8 NPT	0.13	-	0.25	-	M12	1/2-20 UNF-2A
1/2	1	3.24	2.81	0.38	0.27	G1/8	1/8 NPT	0.13	0.13	0.25	0.25	M12	1/2-20 UNF-2A
3/4	1	3.24	2.81	0.38	0.27	G1/8	1/8 NPT	0.13	0.13	0.25	0.25	M12	1/2-20 UNF-2A
1	1	3.24	2.81	0.38	0.27	G1/8	1/8 NPT	0.13	-	0.25	-	M12	1/2-20 UNF-2A
1 1/4	1	3.24	2.81	0.38	0.27	G1/8	1/8 NPT	-	0.13	-	0.25	M12	1/2-20 UNF-2A
1 1/2	1	3.24	2.81	0.38	0.27	G1/8	1/8 NPT	0.13	-	0.25	-	M12	1/2-20 UNF-2A
1 3/4	1	3.24	2.81	0.38	0.27	G1/8	1/8 NPT	-	0.13	-	0.25	M12	1/2-20 UNF-2A
2	1	3.24	2.81	0.38	0.27	G1/8	1/8 NPT	0.13	-	0.25	-	M12	1/2-20 UNF-2A
2 3/4	1	3.24	2.81	0.38	0.27	G1/8	1/8 NPT	-	0.13	-	0.25	M12	1/2-20 UNF-2A
3	1	3.24	2.81	0.38	0.27	G1/8	1/8 NPT	0.13	-	0.25	-	M12	1/2-20 UNF-2A
3 3/4	1	3.24	2.81	0.38	0.27	G1/8	1/8 NPT	-	0.13	-	0.25	M12	1/2-20 UNF-2A
4	1	3.24	2.81	0.38	0.27	G1/8	1/8 NPT	0.13	-	0.25	-	M12	1/2-20 UNF-2A

## Datasheet

Stroke [in]	L8				MM ∅	PL1	PL2			
		[L4]	[Q]	[Q-L4]				[L4]	[Q]	[Q-L4]
1/8	1.06	1.31	1.19	1.44	0.75	0.38	0.5	0.5	0.63	0.63
1/4	1.19	1.5	1.32	1.63	0.75	0.38	0.5	0.5	0.63	0.63
3/8	1.31	–	1.44	–	0.75	0.38	0.5	–	0.63	–
1/2	1.5	1.88	1.63	2.01	0.75	0.38	0.5	0.5	0.63	0.63
3/4	1.88	2.25	2.01	2.38	0.75	0.38	0.5	0.5	0.63	0.63
1	2.25	–	2.38	–	0.75	0.38	0.5	–	0.63	–
1 1/4	–	2.75	–	2.88	0.75	0.38	–	0.5	–	0.63
1 1/2	2.75	–	2.88	–	0.75	0.38	0.5	–	0.63	–
1 3/4	–	3.25	–	3.38	0.75	0.38	–	0.5	–	0.63
2	3.25	–	3.38	–	0.75	0.38	0.5	–	0.63	–
2 3/4	–	4.25	–	4.38	0.75	0.38	–	0.5	–	0.63
3	4.25	–	4.38	–	0.75	0.38	0.5	–	0.63	–
3 3/4	–	5.25	–	5.38	0.75	0.38	–	0.5	–	0.63
4	5.25	–	5.38	–	0.75	0.38	0.5	–	0.63	–

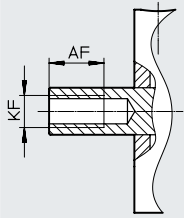
Stroke [in]	T1	W1	W2	WH	ZJ				≈ 1
						[L4]	[Q]	[Q-L4]	
1/8	0.26	72°	–	0.14	1.2	1.45	1.33	1.58	0.63
1/4	0.26	72°	–	0.14	1.33	1.64	1.46	1.77	0.63
3/8	0.26	72°	–	0.14	1.45	–	1.58	–	0.63
1/2	0.26	72°	–	0.14	1.64	2.02	1.77	2.15	0.63
3/4	0.26	72°	–	0.14	2.02	2.39	2.15	2.52	0.63
1	0.26	72°	–	0.14	2.39	–	2.52	–	0.63
1 1/4	0.26	72°	–	0.14	–	2.89	–	3.02	0.63
1 1/2	0.26	72°	–	0.14	2.89	–	3.02	–	0.63
1 3/4	0.26	72°	–	0.14	–	3.39	–	3.52	0.63
2	0.26	72°	–	0.14	3.39	–	3.52	–	0.63
2 3/4	0.26	72°	–	0.14	–	4.39	–	4.52	0.63
3	0.26	72°	–	0.14	4.39	–	4.52	–	0.63
3 3/4	0.26	72°	–	0.14	–	5.39	–	5.52	0.63
4	0.26	72°	–	0.14	5.39	–	5.52	–	0.63

## Datasheet

## Dimensions – piston diameter 2

Download CAD data → [www.festo.com](http://www.festo.com)

[F] Internal thread



Stroke [in]	AF	AF				KF	
		[L4]	[Q]	[Q-L4]		[N]	
1/8	0.4	0.63	0.4	0.63	M12	1/2-20 UNF-2B	
1/4	0.5	0.63	0.5	0.63	M12	1/2-20 UNF-2B	
3/8	0.63	–	0.63	–	M12	1/2-20 UNF-2B	
1/2	0.63	0.75	0.63	0.75	M12	1/2-20 UNF-2B	
3/4	0.75	0.88	0.75	0.88	M12	1/2-20 UNF-2B	
1	0.88	–	0.88	–	M12	1/2-20 UNF-2B	
1 1/4	–	0.88	–	0.88	M12	1/2-20 UNF-2B	
1 1/2	0.88	–	0.88	–	M12	1/2-20 UNF-2B	
1 3/4	–	0.88	–	0.88	M12	1/2-20 UNF-2B	
2	0.88	–	0.88	–	M12	1/2-20 UNF-2B	
2 3/4	–	0.88	–	0.88	M12	1/2-20 UNF-2B	
3	0.88	–	0.88	–	M12	1/2-20 UNF-2B	
3 3/4	–	0.88	–	0.88	M12	1/2-20 UNF-2B	
4	0.88	–	0.88	–	M12	1/2-20 UNF-2B	



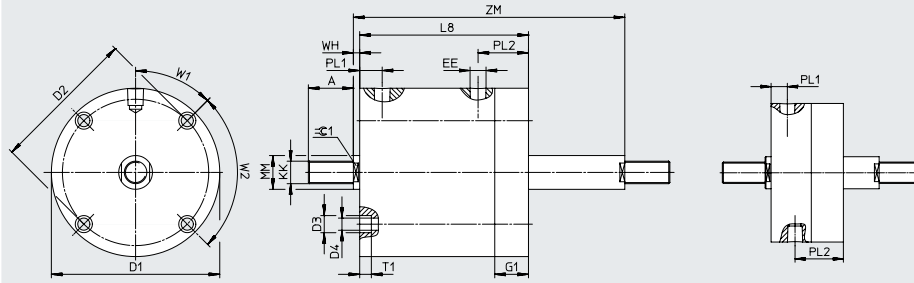
Datasheet

Dimensions – piston diameter 2

Download CAD data → [www.festo.com](http://www.festo.com)

[T] Through piston rod

DPCA...-1/8"...3/8"  
DPCA...-Q...-1/8"...3/8"



Stroke [in]	A	D1 ø	D2 ø	D3 ø	D4 ø	EE		G1	KK	
							[N]			[N]
1/8	1	3.24	2.81	0.38	0.27	G1/8	1/8 NPT	0.75	M12	1/2-20 UNF-2A
1/4	1	3.24	2.81	0.38	0.27	G1/8	1/8 NPT	0.75	M12	1/2-20 UNF-2A
3/8	1	3.24	2.81	0.38	0.27	G1/8	1/8 NPT	0.75	M12	1/2-20 UNF-2A
1/2	1	3.24	2.81	0.38	0.27	G1/8	1/8 NPT	0.75	M12	1/2-20 UNF-2A
3/4	1	3.24	2.81	0.38	0.27	G1/8	1/8 NPT	0.75	M12	1/2-20 UNF-2A
1	1	3.24	2.81	0.38	0.27	G1/8	1/8 NPT	0.75	M12	1/2-20 UNF-2A
1 1/2	1	3.24	2.81	0.38	0.27	G1/8	1/8 NPT	0.75	M12	1/2-20 UNF-2A
2	1	3.24	2.81	0.38	0.27	G1/8	1/8 NPT	0.75	M12	1/2-20 UNF-2A
3	1	3.24	2.81	0.38	0.27	G1/8	1/8 NPT	0.75	M12	1/2-20 UNF-2A
4	1	3.24	2.81	0.38	0.27	G1/8	1/8 NPT	0.75	M12	1/2-20 UNF-2A

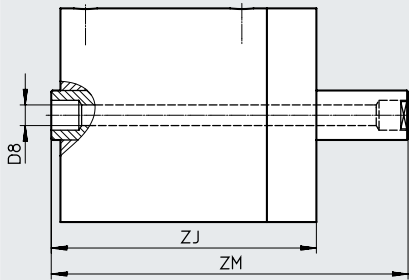
Stroke [in]	L8	MM ø	PL1	PL2	T1	W1	W2	WH	ZM	≈ $\varnothing$ 1
1/8	1.69	0.75	0.38	1.13	0.25	72°	-	0.14	2.095	0.63
1/4	1.81	0.75	0.38	1.12	0.25	72°	-	0.14	2.34	0.63
3/8	1.94	0.75	0.38	1.13	0.25	72°	-	0.14	2.595	0.63
1/2	2.13	0.75	0.38	1.13	0.24	72°	-	0.14	2.91	0.63
3/4	2.5	0.75	0.38	1.12	0.25	72°	-	0.14	3.53	0.63
1	2.88	0.75	0.38	1.13	0.25	72°	-	0.14	4.16	0.63
1 1/2	3.38	0.75	0.38	1.13	0.25	72°	-	0.14	5.16	0.63
2	3.88	0.75	0.38	1.13	0.25	72°	-	0.14	6.16	0.63
3	4.88	0.75	0.38	1.13	0.25	72°	-	0.14	8.16	0.63
4	5.88	0.75	0.38	1.13	0.25	72°	-	0.14	10.16	0.63

## Datasheet

## Dimensions – piston diameter 2

Download CAD data → [www.festo.com](http://www.festo.com)

[H] Through, hollow piston rod

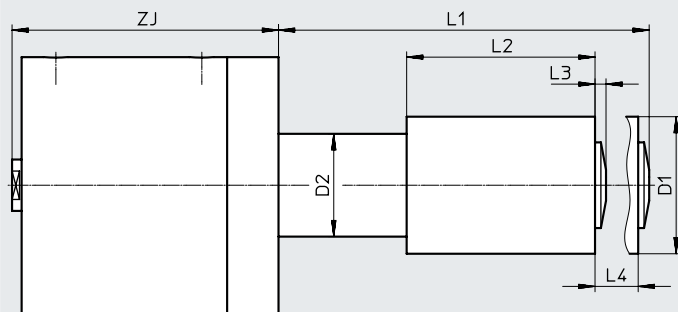


Stroke [in]	D8 ∅	ZJ	ZM
1/8	5/16	1.83	1.345
1/4	5/16	1.95	1.59
3/8	5/16	2.08	1.845
1/2	5/16	2.27	2.16
3/4	5/16	2.64	2.78
1	5/16	3.02	3.41
1 1/2	5/16	3.52	4.41
2	5/16	4.02	5.41
3	5/16	5.02	7.41
4	5/16	6.02	9.41

## Dimensions – piston diameter 2

Download CAD data → [www.festo.com](http://www.festo.com)

[E] Stroke adjustment



Stroke [in]	D1 ∅	D2 ∅	L1	L2	L3	L4	ZJ
1/8	2	1.5	1.67	0.88	0.16	0.63	1.83
1/4	2	1.5	1.91	1	0.16	0.63	1.95
3/8	2	1.5	2.17	1.13	0.16	0.63	2.08
1/2	2	1.5	2.41	1.25	0.16	0.63	2.27
3/4	2	1.5	2.91	1.5	0.16	0.63	2.64
1	2	1.5	3.41	1.75	0.16	0.63	3.02
1 1/2	2	1.5	4.41	2.25	0.16	0.63	3.52
2	2	1.5	5.41	2.75	0.16	0.63	4.02
3	2	1.5	7.41	3.75	0.16	0.63	5.02
4	2	1.5	9.41	4.75	0.16	0.63	6.02

Datasheet

**Dimensions – piston diameter 2**

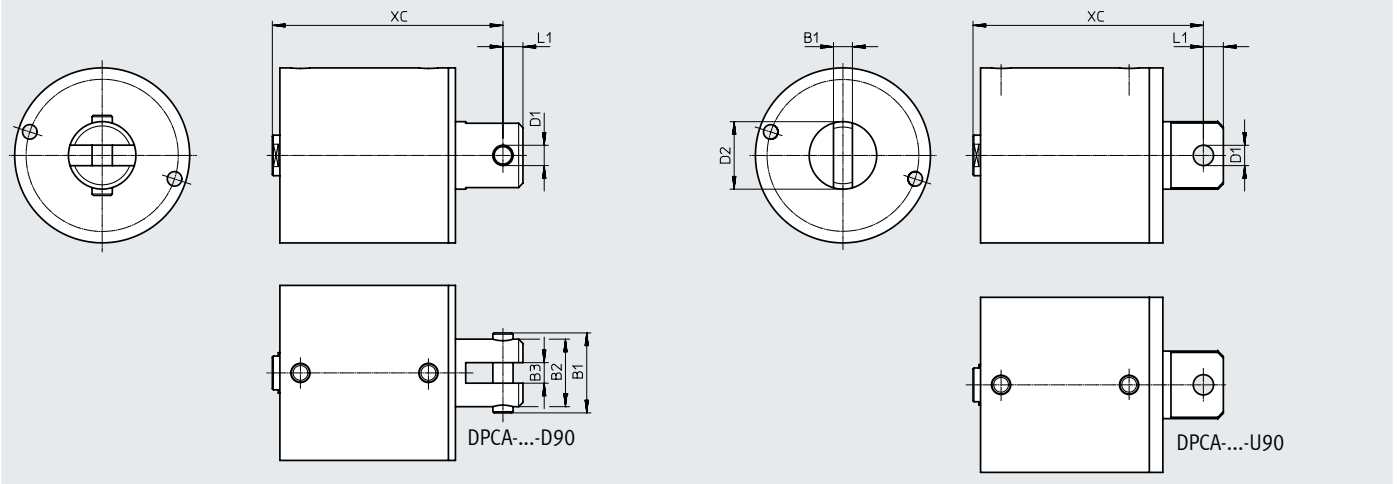
Download CAD data → [www.festo.com](http://www.festo.com)

[D] With swivel clevis

[U] With swiveling rod eye

[D90] With swivel clevis, rotated 90°

[U90] With swiveling rod eye, rotated 90°



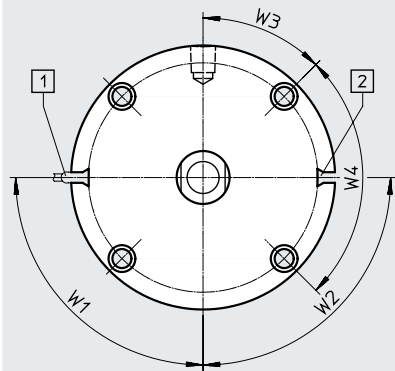
Stroke [in]	B1		B2	B3	D1 ∅		D2 ∅	L1	XC			
	[D/D90]	[U/U90]			[D/D90]	[U/U90]			[L4]	[Q]	[Q-L4]	
1/8	1.48	0.35	1.25	0.38	0.375	0.376	1.25	0.37	2.08	2.33	2.08	2.33
1/4	1.48	0.35	1.25	0.38	0.375	0.376	1.25	0.37	2.21	2.52	2.21	2.52
3/8	1.48	0.35	1.25	0.38	0.375	0.376	1.25	0.37	2.33	–	2.33	–
1/2	1.48	0.35	1.25	0.38	0.375	0.376	1.25	0.37	2.52	2.9	2.52	2.9
3/4	1.48	0.35	1.25	0.38	0.375	0.376	1.25	0.37	2.9	3.27	2.9	3.27
1	1.48	0.35	1.25	0.38	0.375	0.376	1.25	0.37	3.27	–	3.27	–
1 1/4	1.48	0.35	1.25	0.38	0.375	0.376	1.25	0.37	–	3.77	–	3.77
1 1/2	1.48	0.35	1.25	0.38	0.375	0.376	1.25	0.37	3.77	–	3.77	–
1 3/4	1.48	0.35	1.25	0.38	0.375	0.376	1.25	0.37	–	4.27	–	4.27
2	1.48	0.35	1.25	0.38	0.375	0.376	1.25	0.37	4.27	–	4.27	–
2 3/4	1.48	0.35	1.25	0.38	0.375	0.376	1.25	0.37	–	5.27	–	5.27
3	1.48	0.35	1.25	0.38	0.375	0.376	1.25	0.37	5.27	–	5.27	–
3 3/4	1.48	0.35	1.25	0.38	0.375	0.376	1.25	0.37	–	6.27	–	6.27
4	1.48	0.35	1.25	0.38	0.375	0.376	1.25	0.37	6.27	–	6.27	–

Datasheet

**Dimensions – piston diameter 2**

Download CAD data → [www.festo.com](http://www.festo.com)

[A] For proximity switch



- [1] Sensor
- [2] Sensor slot

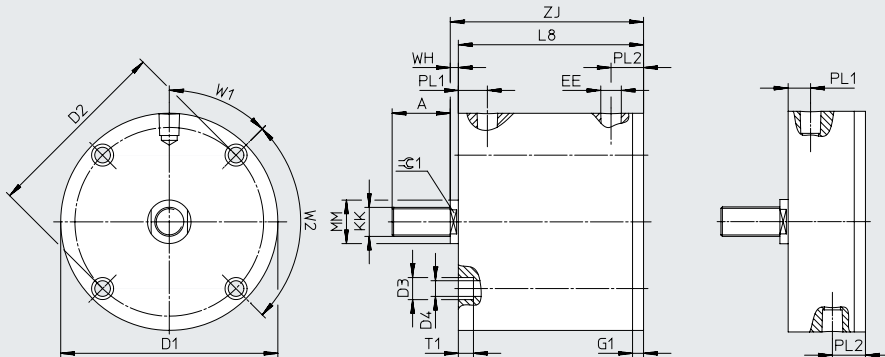
Stroke [in]	Sensor slot number				W1	W2				W3	W4
		[L4]	[Q]	[Q-L4]			[L4]	[Q]	[Q-L4]		
1/8	–	2	–	2	35°	–	35°	–	35°	72°	–
1/4	2	2	2	2	35°	35°	35°	35°	35°	72°	–
3/8	2	–	2	–	35°	35°	–	35°	–	72°	–
1/2	2	2	2	2	35°	35°	35°	35°	35°	72°	–
3/4	2	2	2	2	35°	35°	35°	35°	35°	72°	–
1	2	–	2	–	35°	35°	–	35°	–	72°	–
1 1/4	–	2	–	1	35°	–	35°	–	35°	72°	–
1 1/2	1	–	1	–	35°	–	–	–	–	72°	–
1 3/4	–	1	–	1	35°	–	–	–	–	72°	–
2	1	–	1	–	35°	–	–	–	–	72°	–
2 3/4	–	1	–	1	35°	–	–	–	–	72°	–
3	1	–	1	–	35°	–	–	–	–	72°	–
3 3/4	–	1	–	1	35°	–	–	–	–	72°	–
4	1	–	1	–	35°	–	–	–	–	72°	–

Datasheet

Dimensions – piston diameter 2 1/2

Download CAD data → [www.festo.com](http://www.festo.com)

DPCA-...-1/8" ...1/4"  
DPCA-...-Q-...-1/8" ...1/4"



Stroke [in]	A	D1 ø	D2 ø	D3 ø	D4 ø	EE		G1				KK	
							[N]		[L4]	[Q]	[Q-L4]		[N]
1/8	1	3.74	3.25	0.38	0.27	G1/8	1/8 NPT	0.19	-	0.38	-	M12	1/2-20 UNF-2A
1/4	1	3.74	3.25	0.38	0.27	G1/8	1/8 NPT	0.19	0.19	0.38	0.38	M12	1/2-20 UNF-2A
1/2	1	3.74	3.25	0.38	0.27	G1/8	1/8 NPT	0.19	0.19	0.38	0.38	M12	1/2-20 UNF-2A
3/4	1	3.74	3.25	0.38	0.27	G1/8	1/8 NPT	0.19	0.19	0.38	0.38	M12	1/2-20 UNF-2A
1	1	3.74	3.25	0.38	0.27	G1/8	1/8 NPT	0.19	-	0.38	-	M12	1/2-20 UNF-2A
1 1/4	1	3.74	3.25	0.38	0.27	G1/8	1/8 NPT	-	0.19	-	0.38	M12	1/2-20 UNF-2A
1 1/2	1	3.74	3.25	0.38	0.27	G1/8	1/8 NPT	0.19	-	0.38	-	M12	1/2-20 UNF-2A
1 3/4	1	3.74	3.25	0.38	0.27	G1/8	1/8 NPT	-	0.19	-	0.38	M12	1/2-20 UNF-2A
2	1	3.74	3.25	0.38	0.27	G1/8	1/8 NPT	0.19	-	0.38	-	M12	1/2-20 UNF-2A
2 3/4	1	3.74	3.25	0.38	0.27	G1/8	1/8 NPT	-	0.19	-	0.38	M12	1/2-20 UNF-2A
3	1	3.74	3.25	0.38	0.27	G1/8	1/8 NPT	0.19	-	0.38	-	M12	1/2-20 UNF-2A
3 3/4	1	3.74	3.25	0.38	0.27	G1/8	1/8 NPT	-	0.19	-	0.38	M12	1/2-20 UNF-2A
4	1	3.74	3.25	0.38	0.27	G1/8	1/8 NPT	0.19	-	0.38	-	M12	1/2-20 UNF-2A

Stroke [in]	L8				MM ø	PL1				PL2			
		[L4]	[Q]	[Q-L4]			[L4]	[Q]	[Q-L4]		[L4]	[Q]	[Q-L4]
1/8	1.31	-	1.5	-	0.75	0.38	-	0.38	-	0.56	-	0.75	-
1/4	1.44	1.69	1.63	1.88	0.75	0.38	0.38	0.38	0.38	0.56	0.56	0.75	0.75
1/2	1.69	2.06	1.88	2.25	0.75	0.38	0.5	0.38	0.5	0.56	0.56	0.75	0.75
3/4	2.06	2.19	2.25	2.38	0.75	0.5	0.5	0.5	0.5	0.56	0.56	0.75	0.75
1	2.19	-	2.38	-	0.75	0.5	-	0.5	-	0.56	-	0.75	-
1 1/4	-	2.69	-	2.88	0.75	-	0.5	-	0.5	-	0.56	-	0.75
1 1/2	2.69	-	2.88	-	0.75	0.5	-	0.5	-	0.56	-	0.75	-
1 3/4	-	3.19	-	3.38	0.75	-	0.5	-	0.5	-	0.56	-	0.75
2	3.19	-	3.38	-	0.75	0.5	-	0.5	-	0.56	-	0.75	-
2 3/4	-	4.19	-	4.38	0.75	-	0.5	-	0.5	-	0.56	-	0.75
3	4.19	-	4.38	-	0.75	0.5	-	0.5	-	0.56	-	0.75	-
3 3/4	-	5.19	-	5.38	0.75	-	0.5	-	0.5	-	0.56	-	0.75
4	5.19	-	5.38	-	0.75	0.5	-	0.5	-	0.56	-	0.75	-

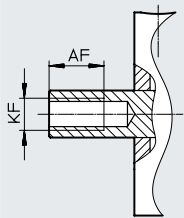
## Datasheet

Stroke [in]	T1	W1	W2	WH	Z)			≈ 1	
					[L4]	[Q]	[Q-L4]		
1/8	0.26	45°	90°	0.14	1.45	–	1.64	–	0.63
1/4	0.26	45°	90°	0.14	1.58	1.83	1.77	2.02	0.63
1/2	0.26	45°	90°	0.14	1.83	2.2	2.02	2.39	0.63
3/4	0.26	45°	90°	0.14	2.2	2.33	2.39	2.52	0.63
1	0.26	45°	90°	0.14	2.33	–	2.52	–	0.63
1 1/4	0.26	45°	90°	0.14	–	2.83	–	3.02	0.63
1 1/2	0.26	45°	90°	0.14	2.83	–	3.02	–	0.63
1 3/4	0.26	45°	90°	0.14	–	3.33	–	3.52	0.63
2	0.26	45°	90°	0.14	3.33	–	3.52	–	0.63
2 3/4	0.26	45°	90°	0.14	–	4.33	–	4.52	0.63
3	0.26	45°	90°	0.14	4.33	–	4.52	–	0.63
3 3/4	0.26	45°	90°	0.14	–	5.33	–	5.52	0.63
4	0.26	45°	90°	0.14	5.33	–	5.52	–	0.63

## Dimensions – piston diameter 2 1/2

Download CAD data → [www.festo.com](http://www.festo.com)

[F] Internal thread



Stroke [in]	AF	AF			KF	
		[L4]	[Q]	[Q-L4]		[N]
1/8	0.56	–	0.56	–	M12	1/2-20 UNF-2B
1/4	0.63	0.63	0.63	0.63	M12	1/2-20 UNF-2B
1/2	0.63	0.88	0.63	0.88	M12	1/2-20 UNF-2B
3/4	0.88	0.88	0.88	0.88	M12	1/2-20 UNF-2B
1	0.88	–	0.88	–	M12	1/2-20 UNF-2B
1 1/4	–	0.88	–	0.88	M12	1/2-20 UNF-2B
1 1/2	0.88	–	0.88	–	M12	1/2-20 UNF-2B
1 3/4	–	0.88	–	0.88	M12	1/2-20 UNF-2B
2	0.88	–	0.88	–	M12	1/2-20 UNF-2B
2 3/4	–	0.88	–	0.88	M12	1/2-20 UNF-2B
3	0.88	–	0.88	–	M12	1/2-20 UNF-2B
3 3/4	–	0.88	–	0.88	M12	1/2-20 UNF-2B
4	0.88	–	0.88	–	M12	1/2-20 UNF-2B

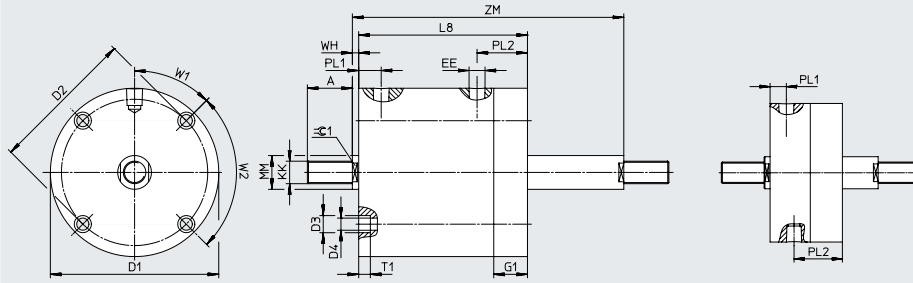
Datasheet

Dimensions – piston diameter 2 1/2

Download CAD data → [www.festo.com](http://www.festo.com)

[T] Through piston rod

DPCA-...-1/8"...1/4"  
DPCA-...-Q-...-1/8"...1/4"



Stroke [in]	A	D1 ∅	D2 ∅	D3 ∅	D4 ∅	EE		G1	KK	
							[N]			[N]
1/8	1	3.74	3.25	0.38	0.27	G1/8	1/8 NPT	0.75	M12	1/2-20 UNF-2A
1/4	1	3.74	3.25	0.38	0.27	G1/8	1/8 NPT	0.75	M12	1/2-20 UNF-2A
1/2	1	3.74	3.25	0.38	0.27	G1/8	1/8 NPT	0.75	M12	1/2-20 UNF-2A
3/4	1	3.74	3.25	0.38	0.27	G1/8	1/8 NPT	0.75	M12	1/2-20 UNF-2A
1	1	3.74	3.25	0.38	0.27	G1/8	1/8 NPT	0.75	M12	1/2-20 UNF-2A
1 1/2	1	3.74	3.25	0.38	0.27	G1/8	1/8 NPT	0.75	M12	1/2-20 UNF-2A
2	1	3.74	3.25	0.38	0.27	G1/8	1/8 NPT	0.75	M12	1/2-20 UNF-2A
3	1	3.74	3.25	0.38	0.27	G1/8	1/8 NPT	0.75	M12	1/2-20 UNF-2A
4	1	3.74	3.25	0.38	0.27	G1/8	1/8 NPT	0.75	M12	1/2-20 UNF-2A

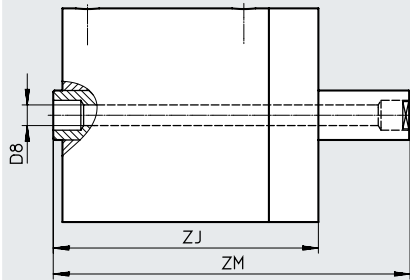
Stroke [in]	L8	MM ∅	PL1	PL2	T1	W1	W2	WH	ZM	≅ 1
1/8	1.88	0.75	0.38	1.13	0.25	45°	90°	0.14	2.285	0.63
1/4	2	0.75	0.38	1.12	0.25	45°	90°	0.14	2.53	0.63
1/2	2.25	0.75	0.38	1.12	0.25	45°	90°	0.14	3.03	0.63
3/4	2.63	0.75	0.5	1.13	0.25	45°	90°	0.14	3.66	0.63
1	2.75	0.75	0.5	1.12	0.25	45°	90°	0.14	4.03	0.63
1 1/2	3.25	0.75	0.5	1.12	0.25	45°	90°	0.14	5.03	0.63
2	3.75	0.75	0.5	1.12	0.25	45°	90°	0.14	6.03	0.63
3	4.75	0.75	0.5	1.12	0.25	45°	90°	0.14	8.03	0.63
4	5.75	0.75	0.5	1.12	0.25	45°	90°	0.14	10.03	0.63

Datasheet

Dimensions – piston diameter 2 1/2

Download CAD data → [www.festo.com](http://www.festo.com)

[H] Through, hollow piston rod

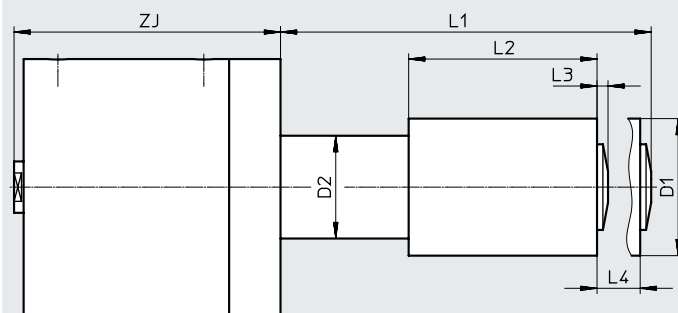


Stroke [in]	D8 ø	ZJ	ZM
1/8	1/4	2.02	2.285
1/4	1/4	2.14	2.53
1/2	1/4	2.39	3.03
3/4	1/4	2.77	3.66
1	1/4	2.89	4.03
1 1/2	1/4	3.39	5.03
2	1/4	3.89	6.03
3	1/4	4.89	8.03
4	1/4	5.89	10.03

Dimensions – piston diameter 2 1/2

Download CAD data → [www.festo.com](http://www.festo.com)

[E] Stroke adjustment



Stroke [in]	D1 ø	D2 ø	L1	L2	L3	L4	ZJ
1/8	2	1.5	1.67	0.88	0.16	0.63	2.02
1/4	2	1.5	1.91	1	0.16	0.63	2.14
1/2	2	1.5	2.41	1.25	0.16	0.63	2.39
3/4	2	1.5	2.91	1.5	0.16	0.63	2.77
1	2	1.5	3.41	1.75	0.16	0.63	2.89
1 1/2	2	1.5	4.41	2.25	0.16	0.63	3.39
2	2	1.5	5.41	2.75	0.16	0.63	3.89
3	2	1.5	7.41	3.75	0.16	0.63	4.89
4	2	1.5	9.41	4.75	0.16	0.63	5.89



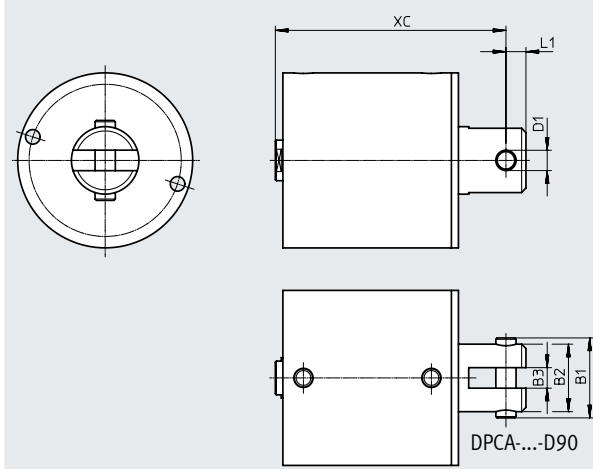
## Datasheet

## Dimensions – piston diameter 2 1/2

Download CAD data → [www.festo.com](http://www.festo.com)

[D] With swivel clevis

[D90] With swivel clevis, rotated 90°



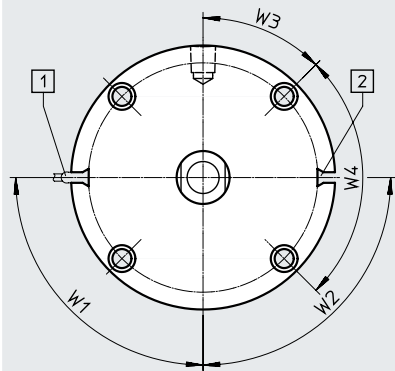
Stroke [in]	B1	B2	B3	D1 ∅	L1	XC			
						[L4]	[Q]	[Q-L4]	
1/8	1.86	1.63	0.5	0.5	0.5	2.64	–	2.64	–
1/4	1.86	1.63	0.5	0.5	0.5	2.77	3.02	2.77	3.02
1/2	1.86	1.63	0.5	0.5	0.5	3.02	3.39	3.02	3.39
3/4	1.86	1.63	0.5	0.5	0.5	3.39	3.52	3.39	3.52
1	1.86	1.63	0.5	0.5	0.5	3.52	–	3.52	–
1 1/4	1.86	1.63	0.5	0.5	0.5	–	4.02	–	4.02
1 1/2	1.86	1.63	0.5	0.5	0.5	4.02	–	4.02	–
1 3/4	1.86	1.63	0.5	0.5	0.5	–	4.52	–	4.52
2	1.86	1.63	0.5	0.5	0.5	4.52	–	4.52	–
2 3/4	1.86	1.63	0.5	0.5	0.5	–	5.52	–	5.52
3	1.86	1.63	0.5	0.5	0.5	5.52	–	5.52	–
3 3/4	1.86	1.63	0.5	0.5	0.5	–	6.52	–	6.52
4	1.86	1.63	0.5	0.5	0.5	6.52	–	6.52	–

Datasheet

Dimensions – piston diameter 2 1/2

Download CAD data → [www.festo.com](http://www.festo.com)

[A] For proximity switch



- [1] Sensor
- [2] Sensor slot

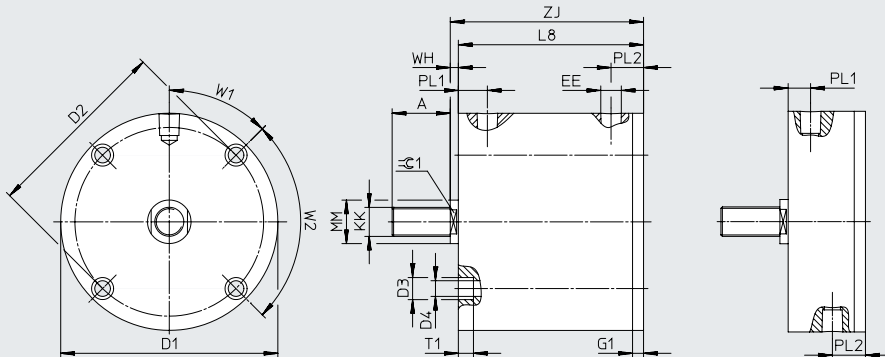
Stroke [in]	Sensor slot number				W1	W2				W3	W4
		[L4]	[Q]	[Q-L4]			[L4]	[Q]	[Q-L4]		
1/4	2	2	2	2	90°	90°	90°	90°	90°	45°	90°
1/2	2	2	2	2	90°	90°	90°	90°	90°	45°	90°
3/4	2	2	2	2	90°	90°	90°	90°	90°	45°	90°
1	2	-	2	-	90°	90°	-	90°	-	45°	90°
1 1/4	-	1	-	1	90°	-	-	-	-	45°	90°
1 1/2	1	-	1	-	90°	-	-	-	-	45°	90°
1 3/4	-	1	-	1	90°	-	-	-	-	45°	90°
2	1	-	1	-	90°	-	-	-	-	45°	90°
2 3/4	-	1	-	1	90°	-	-	-	-	45°	90°
3	1	-	1	-	90°	-	-	-	-	45°	90°
3 3/4	-	1	-	1	90°	-	-	-	-	45°	90°
4	1	-	1	-	90°	-	-	-	-	45°	90°

Datasheet

Dimensions – piston diameter 3

Download CAD data → [www.festo.com](http://www.festo.com)

DPCA-...-1/8" ...1/4"  
DPCA-...-Q-...-1/8" ...1/4"



Stroke [in]	A	D1 ø	D2 ø	D3 ø	D4 ø	EE		G1				KK	
							[N]		[L4]	[Q]	[Q-L4]		[N]
1/8	1	4.24	3.81	0.38	0.27	G1/8	1/8 NPT	0.19	-	0.38	-	M12	1/2-20 UNF-2A
1/4	1	4.24	3.81	0.38	0.27	G1/8	1/8 NPT	0.19	0.19	0.38	0.38	M12	1/2-20 UNF-2A
1/2	1	4.24	3.81	0.38	0.27	G1/8	1/8 NPT	0.19	0.19	0.38	0.38	M12	1/2-20 UNF-2A
3/4	1	4.24	3.81	0.38	0.27	G1/8	1/8 NPT	0.19	0.19	0.38	0.38	M12	1/2-20 UNF-2A
1	1	4.24	3.81	0.38	0.27	G1/8	1/8 NPT	0.19	-	0.38	-	M12	1/2-20 UNF-2A
1 1/4	1	4.24	3.81	0.38	0.27	G1/8	1/8 NPT	-	0.19	-	0.38	M12	1/2-20 UNF-2A
1 1/2	1	4.24	3.81	0.38	0.27	G1/8	1/8 NPT	0.19	-	0.38	-	M12	1/2-20 UNF-2A
1 3/4	1	4.24	3.81	0.38	0.27	G1/8	1/8 NPT	-	0.19	-	0.38	M12	1/2-20 UNF-2A
2	1	4.24	3.81	0.38	0.27	G1/8	1/8 NPT	0.19	-	0.38	-	M12	1/2-20 UNF-2A
2 3/4	1	4.24	3.81	0.38	0.27	G1/8	1/8 NPT	-	0.19	-	0.38	M12	1/2-20 UNF-2A
3	1	4.24	3.81	0.38	0.27	G1/8	1/8 NPT	0.19	-	0.38	-	M12	1/2-20 UNF-2A
3 3/4	1	4.24	3.81	0.38	0.27	G1/8	1/8 NPT	-	0.19	-	0.38	M12	1/2-20 UNF-2A
4	1	4.24	3.81	0.38	0.27	G1/8	1/8 NPT	0.19	-	0.38	-	M12	1/2-20 UNF-2A

Stroke [in]	L8				MM ø	PL1				PL2			
		[L4]	[Q]	[Q-L4]			[L4]	[Q]	[Q-L4]		[L4]	[Q]	[Q-L4]
1/8	1.38	-	1.75	-	0.75	0.38	-	0.38	-	0.57	-	0.76	-
1/4	1.5	1.75	1.69	1.94	0.75	0.38	0.38	0.38	0.38	0.56	0.56	0.75	0.75
1/2	1.75	2	1.94	2.19	0.75	0.38	0.5	0.38	0.5	0.56	0.56	0.75	0.75
3/4	2	2.25	2.19	2.44	0.75	0.5	0.5	0.5	0.5	0.56	0.56	0.75	0.75
1	2.25	-	2.44	-	0.75	0.5	-	0.5	-	0.56	-	0.75	-
1 1/4	-	2.75	-	2.94	0.75	-	0.5	-	0.5	-	0.56	-	0.75
1 1/2	2.75	-	2.94	-	0.75	0.5	-	0.5	-	0.56	-	0.75	-
1 3/4	-	3.25	-	3.44	0.75	-	0.5	-	0.5	-	0.56	-	0.75
2	3.25	-	3.44	-	0.75	0.5	-	0.5	-	0.56	-	0.75	-
2 3/4	-	4.25	-	4.44	0.75	-	0.5	-	0.5	-	0.56	-	0.75
3	4.25	-	4.44	-	0.75	0.5	-	0.5	-	0.56	-	0.75	-
3 3/4	-	5.25	-	5.44	0.75	-	0.5	-	0.5	-	0.56	-	0.75
4	5.25	-	5.44	-	0.75	0.5	-	0.5	-	0.56	-	0.75	-

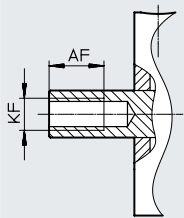
## Datasheet

Stroke [in]	T1	W1	W2	WH	Z)			≈ 1	
					[L4]	[Q]	[Q-L4]		
1/8	0.26	45°	90°	0.14	1.52	–	1.71	–	0.63
1/4	0.26	45°	90°	0.14	1.64	1.89	1.83	2.08	0.63
1/2	0.26	45°	90°	0.14	1.89	2.14	2.08	2.33	0.63
3/4	0.26	45°	90°	0.14	2.14	2.39	2.33	2.58	0.63
1	0.26	45°	90°	0.14	2.39	–	2.58	–	0.63
1 1/4	0.26	45°	90°	0.14	–	2.89	–	3.08	0.63
1 1/2	0.26	45°	90°	0.14	2.89	–	3.08	–	0.63
1 3/4	0.26	45°	90°	0.14	–	3.39	–	3.58	0.63
2	0.26	45°	90°	0.14	3.39	–	3.58	–	0.63
2 3/4	0.26	45°	90°	0.14	–	4.39	–	4.58	0.63
3	0.26	45°	90°	0.14	4.39	–	4.58	–	0.63
3 3/4	0.26	45°	90°	0.14	–	5.39	–	5.58	0.63
4	0.26	45°	90°	0.14	5.39	–	5.58	–	0.63

## Dimensions – piston diameter 3

Download CAD data → [www.festo.com](http://www.festo.com)

[F] Internal thread



Stroke [in]	AF	AF			KF	
		[L4]	[Q]	[Q-L4]		[N]
1/8	0.63	–	0.63	–	M12	1/2-20 UNF-2B
1/4	0.63	0.63	0.63	0.63	M12	1/2-20 UNF-2B
1/2	0.63	0.88	0.63	0.88	M12	1/2-20 UNF-2B
3/4	0.88	0.88	0.88	0.88	M12	1/2-20 UNF-2B
1	0.88	–	0.88	–	M12	1/2-20 UNF-2B
1 1/4	–	0.88	–	0.88	M12	1/2-20 UNF-2B
1 1/2	0.88	–	0.88	–	M12	1/2-20 UNF-2B
1 3/4	–	0.88	–	0.88	M12	1/2-20 UNF-2B
2	0.88	–	0.88	–	M12	1/2-20 UNF-2B
2 3/4	–	0.88	–	0.88	M12	1/2-20 UNF-2B
3	0.88	–	0.88	–	M12	1/2-20 UNF-2B
3 3/4	–	0.88	–	0.88	M12	1/2-20 UNF-2B
4	0.88	–	0.88	–	M12	1/2-20 UNF-2B

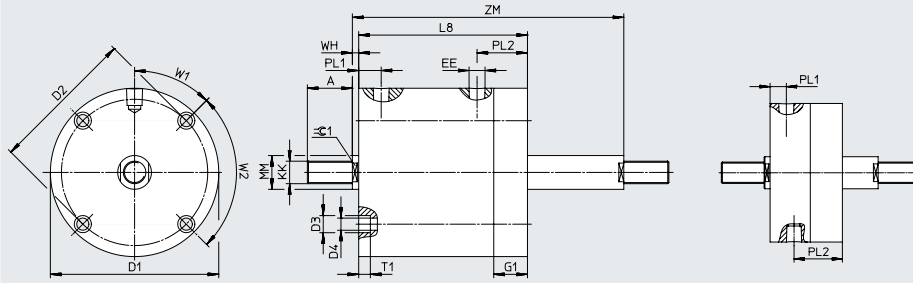
Datasheet

Dimensions – piston diameter 3

Download CAD data → [www.festo.com](http://www.festo.com)

[T] Through piston rod

DPCA-...-1/8"...1/4"  
DPCA-...-Q-...-1/8"...1/4"



Stroke [in]	A	D1 ∅	D2 ∅	D3 ∅	D4 ∅	EE		G1	KK	
							[N]			[N]
1/8	1	4.24	3.81	0.38	0.27	G1/8	1/8 NPT	0.75	M12	1/2-20 UNF-2A
1/4	1	4.24	3.81	0.38	0.27	G1/8	1/8 NPT	0.75	M12	1/2-20 UNF-2A
1/2	1	4.24	3.81	0.38	0.27	G1/8	1/8 NPT	0.75	M12	1/2-20 UNF-2A
3/4	1	4.24	3.81	0.38	0.27	G1/8	1/8 NPT	0.75	M12	1/2-20 UNF-2A
1	1	4.24	3.81	0.38	0.27	G1/8	1/8 NPT	0.75	M12	1/2-20 UNF-2A
1 1/2	1	4.24	3.81	0.38	0.27	G1/8	1/8 NPT	0.75	M12	1/2-20 UNF-2A
2	1	4.24	3.81	0.38	0.27	G1/8	1/8 NPT	0.75	M12	1/2-20 UNF-2A
3	1	4.24	3.81	0.38	0.27	G1/8	1/8 NPT	0.75	M12	1/2-20 UNF-2A
4	1	4.24	3.81	0.38	0.27	G1/8	1/8 NPT	0.75	M12	1/2-20 UNF-2A

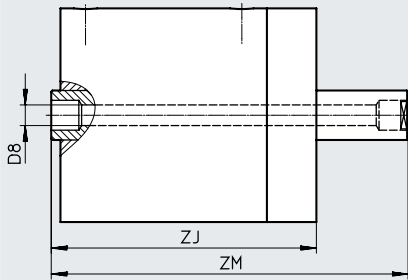
Stroke [in]	L8	MM ∅	PL1	PL2	T1	W1	W2	WH	ZM	≈C 1
1/8	1.94	0.75	0.38	1.13	0.26	45°	90°	0.14	2.345	0.63
1/4	2.06	0.75	0.38	1.12	0.26	45°	90°	0.14	2.59	0.63
1/2	2.31	0.75	0.38	1.12	0.21	45°	90°	0.14	3.09	0.63
3/4	2.56	0.75	0.5	1.12	0.26	45°	90°	0.14	3.59	0.63
1	2.81	0.75	0.5	1.12	0.26	45°	90°	0.14	4.09	0.63
1 1/2	3.31	0.75	0.5	1.12	0.21	45°	90°	0.14	5.09	0.63
2	3.81	0.75	0.5	1.12	0.26	45°	90°	0.14	6.09	0.63
3	4.81	0.75	0.5	1.12	0.26	45°	90°	0.14	8.09	0.63
4	5.81	0.75	0.5	1.12	0.26	45°	90°	0.14	10.09	0.63

## Datasheet

## Dimensions – piston diameter 3

Download CAD data → [www.festo.com](http://www.festo.com)

[H] Through, hollow piston rod

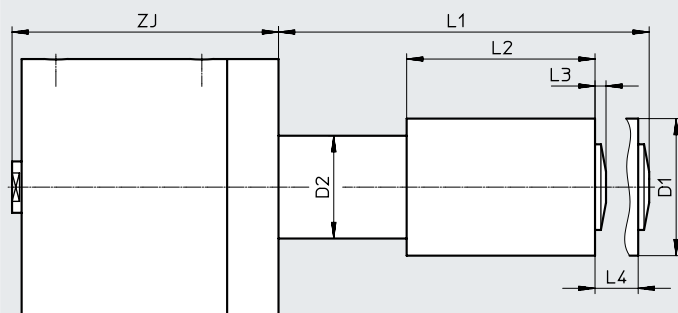


Stroke [in]	D8 ∅	ZJ	ZM
1/8	1/4	2.08	2.345
1/4	1/4	2.2	2.59
1/2	1/4	2.45	3.09
3/4	1/4	2.7	3.59
1	1/4	2.95	4.09
1 1/2	1/4	3.45	5.09
2	1/4	3.95	6.09
3	1/4	4.95	8.09
4	1/4	5.95	10.09

## Dimensions – piston diameter 3

Download CAD data → [www.festo.com](http://www.festo.com)

[E] Stroke adjustment



Stroke [in]	D1 ∅	D2 ∅	L1	L2	L3	L4	ZJ
1/8	2	1.5	1.67	0.88	0.16	0.63	2.08
1/4	2	1.5	1.91	1	0.16	0.63	2.2
1/2	2	1.5	2.41	1.25	0.16	0.63	2.45
3/4	2	1.5	2.91	1.5	0.16	0.63	2.7
1	2	1.5	3.41	1.75	0.16	0.63	2.95
1 1/2	2	1.5	4.41	2.25	0.16	0.63	3.45
2	2	1.5	5.41	2.75	0.16	0.63	3.95
3	2	1.5	7.41	3.75	0.16	0.63	4.95
4	2	1.5	9.41	4.75	0.16	0.63	5.95

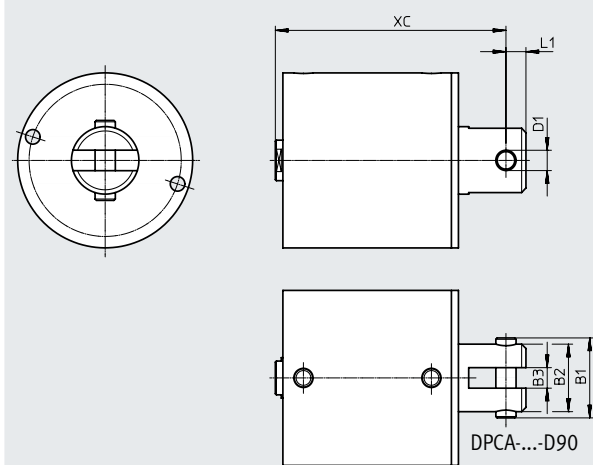
## Datasheet

## Dimensions – piston diameter 3

Download CAD data → [www.festo.com](http://www.festo.com)

[D] With swivel clevis

[D90] With swivel clevis, rotated 90°



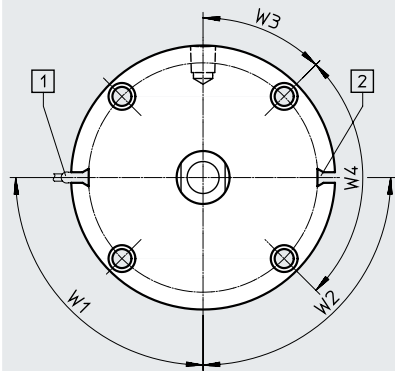
Stroke [in]	B1	B2	B3	D1 ∅	L1	XC			
						[L4]	[Q]	[Q-L4]	
1/8	1.86	1.63	0.5	0.5	0.5	2.71	–	2.71	–
1/4	1.86	1.63	0.5	0.5	0.5	2.83	3.08	2.83	3.08
1/2	1.86	1.63	0.5	0.5	0.5	3.08	3.33	3.08	3.33
3/4	1.86	1.63	0.5	0.5	0.5	3.33	3.58	3.33	3.58
1	1.86	1.63	0.5	0.5	0.5	3.58	–	3.58	–
1 1/4	1.86	1.63	0.5	0.5	0.5	–	4.08	–	4.08
1 1/2	1.86	1.63	0.5	0.5	0.5	4.08	–	4.08	–
1 3/4	1.86	1.63	0.5	0.5	0.5	–	4.58	–	4.58
2	1.86	1.63	0.5	0.5	0.5	4.58	–	4.58	–
2 3/4	1.86	1.63	0.5	0.5	0.5	–	5.58	–	5.58
3	1.86	1.63	0.5	0.5	0.5	5.58	–	5.58	–
3 3/4	1.86	1.63	0.5	0.5	0.5	–	6.58	–	6.58
4	1.86	1.63	0.5	0.5	0.5	6.58	–	6.58	–

Datasheet

**Dimensions – piston diameter 3**

Download CAD data → [www.festo.com](http://www.festo.com)

[A] For proximity switch



- [1] Sensor
- [2] Sensor slot

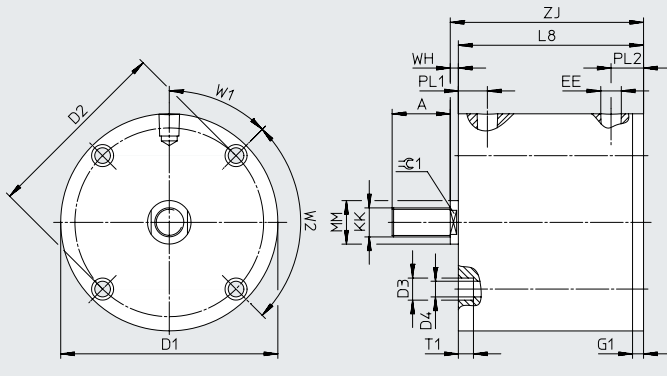
Stroke [in]	Sensor slot number				W1	W2				W3	W4
		[L4]	[Q]	[Q-L4]			[L4]	[Q]	[Q-L4]		
1/4	2	2	2	2	30°	30°	30°	30°	30°	45°	90°
1/2	2	2	2	2	30°	30°	30°	30°	30°	45°	90°
3/4	2	2	2	2	30°	30°	30°	30°	30°	45°	90°
1	2	-	2	-	30°	30°	-	30°	-	45°	90°
1 1/4	-	1	-	1	30°	-	-	-	-	45°	90°
1 1/2	1	-	1	-	30°	-	-	-	-	45°	90°
1 3/4	-	1	-	1	30°	-	-	-	-	45°	90°
2	1	-	1	-	30°	-	-	-	-	45°	90°
2 3/4	-	1	-	1	30°	-	-	-	-	45°	90°
3	1	-	1	-	30°	-	-	-	-	45°	90°
3 3/4	-	1	-	1	30°	-	-	-	-	45°	90°
4	1	-	1	-	30°	-	-	-	-	45°	90°



Datasheet

Dimensions – piston diameter 4

Download CAD data → [www.festo.com](http://www.festo.com)



Stroke [in]	A	D1 ø	D2 ø	D3 ø	D4 ø	EE		G1				KK	
							[N]		[L4]	[Q]	[Q-L4]		[N]
1/8	1.25	5.5	5	0.38	0.27	G1/8	1/8 NPT	0.31	–	0.5	–	M16	5/8-18 UNF-2A
1/4	1.25	5.5	5	0.38	0.27	G1/8	1/8 NPT	0.31	–	0.5	–	M16	5/8-18 UNF-2A
5/16	1.25	5.5	5	0.38	0.27	G1/8	1/8 NPT	–	0.31	–	0.5	M16	5/8-18 UNF-2A
1/2	1.25	5.5	5	0.38	0.27	G1/8	1/8 NPT	0.31	–	0.5	–	M16	5/8-18 UNF-2A
1 3/16	1.25	5.5	5	0.38	0.27	G1/8	1/8 NPT	–	0.31	–	0.5	M16	5/8-18 UNF-2A
1	1.25	5.5	5	0.38	0.27	G1/8	1/8 NPT	0.31	–	0.5	–	M16	5/8-18 UNF-2A
1 5/16	1.25	5.5	5	0.38	0.27	G1/8	1/8 NPT	–	0.31	–	0.5	M16	5/8-18 UNF-2A
1 1/2	1.25	5.5	5	0.38	0.27	G1/8	1/8 NPT	0.31	–	0.5	–	M16	5/8-18 UNF-2A
1 13/16	1.25	5.5	5	0.38	0.27	G1/8	1/8 NPT	–	0.31	–	0.5	M16	5/8-18 UNF-2A
2	1.25	5.5	5	0.38	0.27	G1/8	1/8 NPT	0.31	–	0.5	–	M16	5/8-18 UNF-2A
2 13/16	1.25	5.5	5	0.38	0.27	G1/8	1/8 NPT	–	0.31	–	0.5	M16	5/8-18 UNF-2A
3	1.25	5.5	5	0.38	0.27	G1/8	1/8 NPT	0.31	–	0.5	–	M16	5/8-18 UNF-2A
3 13/16	1.25	5.5	5	0.38	0.27	G1/8	1/8 NPT	–	0.31	–	0.5	M16	5/8-18 UNF-2A
4	1.25	5.5	5	0.38	0.27	G1/8	1/8 NPT	0.31	–	0.5	–	M16	5/8-18 UNF-2A

Stroke [in]	L8			MM ø	PL1			PL2					
		[L4]	[Q]		[Q-L4]		[L4]	[Q]	[Q-L4]		[L4]	[Q]	[Q-L4]
1/8	1.69	–	1.88	–	0.88	0.38	–	0.38	–	0.69	–	0.88	–
1/4	1.82	–	2.01	–	0.88	0.38	–	0.38	–	0.69	–	0.88	–
5/16	–	2.07	–	2.26	0.88	–	0.5	–	0.5	–	0.69	–	0.88
1/2	2.07	–	2.26	–	0.88	0.5	–	0.5	–	0.69	–	0.88	–
1 3/16	–	2.57	–	2.76	0.88	–	0.5	–	0.5	–	0.69	–	0.88
1	2.57	–	2.76	–	0.88	0.5	–	0.5	–	0.69	–	0.88	–
1 5/16	–	3.07	–	3.26	0.88	–	0.5	–	0.5	–	0.69	–	0.88
1 1/2	3.07	–	3.26	–	0.88	0.5	–	0.5	–	0.69	–	0.88	–
1 13/16	–	3.57	–	3.76	0.88	–	0.5	–	0.5	–	0.69	–	0.88
2	3.57	–	3.76	–	0.88	0.5	–	0.5	–	0.69	–	0.88	–
2 13/16	–	4.57	–	4.76	0.88	–	0.5	–	0.5	–	0.69	–	0.88
3	4.57	–	4.76	–	0.88	0.5	–	0.5	–	0.69	–	0.88	–
3 13/16	–	5.57	–	5.76	0.88	–	0.5	–	0.5	–	0.69	–	0.88
4	5.57	–	5.76	–	0.88	0.5	–	0.5	–	0.69	–	0.88	–

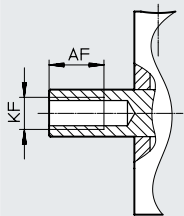
## Datasheet

Stroke [in]	T1	W1	W2	WH	Z)			≈ 1	
					[L4]	[Q]	[Q-L4]		
1/8	0.26	45°	90°	0.2	1.89	–	2.08	–	0.75
1/4	0.26	45°	90°	0.2	2.02	–	2.21	–	0.75
5/16	0.26	45°	90°	0.2	–	2.27	–	2.46	0.75
1/2	0.26	45°	90°	0.2	2.27	–	2.46	–	0.75
1 3/16	0.26	45°	90°	0.2	–	2.77	–	2.96	0.75
1	0.26	45°	90°	0.2	2.77	–	2.96	–	0.75
1 5/16	0.26	45°	90°	0.2	–	3.27	–	3.46	0.75
1 1/2	0.26	45°	90°	0.2	3.27	–	3.46	–	0.75
1 1 3/16	0.26	45°	90°	0.2	–	3.77	–	3.96	0.75
2	0.26	45°	90°	0.2	3.77	–	3.96	–	0.75
2 1 3/16	0.26	45°	90°	0.2	–	4.77	–	4.96	0.75
3	0.26	45°	90°	0.2	4.77	–	4.96	–	0.75
3 1 3/16	0.26	45°	90°	0.2	–	5.77	–	5.96	0.75
4	0.26	45°	90°	0.2	5.77	–	5.96	–	0.75

## Dimensions – piston diameter 4

Download CAD data → [www.festo.com](http://www.festo.com)

[F] Internal thread



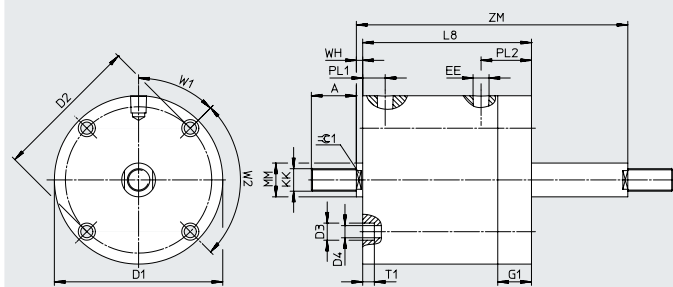
Stroke [in]	AF	AF			KF	
		[L4]	[Q]	[Q-L4]		[N]
1/8	0.5	–	0.5	–	M16	5/8-18 UNF-2B
1/4	0.5	–	0.5	–	M16	5/8-18 UNF-2B
5/16	–	0.75	–	0.75	M16	5/8-18 UNF-2B
1/2	0.75	–	0.75	–	M16	5/8-18 UNF-2B
1 3/16	–	0.88	–	0.88	M16	5/8-18 UNF-2B
1	0.88	–	0.88	–	M16	5/8-18 UNF-2B
1 5/16	–	0.88	–	0.88	M16	5/8-18 UNF-2B
1 1/2	0.88	–	0.88	–	M16	5/8-18 UNF-2B
1 1 3/16	–	0.88	–	0.88	M16	5/8-18 UNF-2B
2	0.88	–	0.88	–	M16	5/8-18 UNF-2B
2 1 3/16	–	0.88	–	0.88	M16	5/8-18 UNF-2B
3	0.88	–	0.88	–	M16	5/8-18 UNF-2B
3 1 3/16	–	0.88	–	0.88	M16	5/8-18 UNF-2B
4	0.88	–	0.88	–	M16	5/8-18 UNF-2B

## Datasheet

## Dimensions – piston diameter 4

Download CAD data → [www.festo.com](http://www.festo.com)

[T] Through piston rod



Stroke [in]	A	D1 ∅	D2 ∅	D3 ∅	D4 ∅	EE		G1	KK	
							[N]			[N]
1/8	1.25	5.5	5	0.38	0.27	G1/8	1/8 NPT	0.75	M16	5/8-18 UNF-2A
1/4	1.25	5.5	5	0.38	0.27	G1/8	1/8 NPT	0.75	M16	5/8-18 UNF-2A
1/2	1.25	5.5	5	0.38	0.27	G1/8	1/8 NPT	0.75	M16	5/8-18 UNF-2A
1	1.25	5.5	5	0.38	0.27	G1/8	1/8 NPT	0.75	M16	5/8-18 UNF-2A
1 1/2	1.25	5.5	5	0.38	0.27	G1/8	1/8 NPT	0.75	M16	5/8-18 UNF-2A
2	1.25	5.5	5	0.38	0.27	G1/8	1/8 NPT	0.75	M16	5/8-18 UNF-2A
3	1.25	5.5	5	0.38	0.27	G1/8	1/8 NPT	0.75	M16	5/8-18 UNF-2A
4	1.25	5.5	5	0.38	0.27	G1/8	1/8 NPT	0.75	M16	5/8-18 UNF-2A

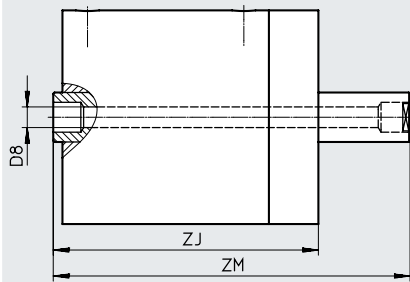
Stroke [in]	L8	MM ∅	PL1	PL2	T1	W1	W2	WH	ZM	⊕ 1
1/8	2.13	0.88	0.38	1.13	0.26	45°	90°	0.2	2.655	0.75
1/4	2.25	0.88	0.38	1.12	0.25	45°	90°	0.2	2.9	0.75
1/2	2.5	0.88	0.5	1.12	0.25	45°	90°	0.2	3.4	0.75
1	3	0.88	0.5	1.12	0.25	45°	90°	0.2	4.4	0.75
1 1/2	3.5	0.88	0.5	1.12	0.25	45°	90°	0.2	5.4	0.75
2	4	0.88	0.5	1.12	0.25	45°	90°	0.2	6.4	0.75
3	5	0.88	0.5	1.12	0.25	45°	90°	0.2	8.4	0.75
4	6	0.88	0.5	1.12	0.25	45°	90°	0.2	10.4	0.75

Datasheet

Dimensions – piston diameter 4

Download CAD data → [www.festo.com](http://www.festo.com)

[H] Through, hollow piston rod

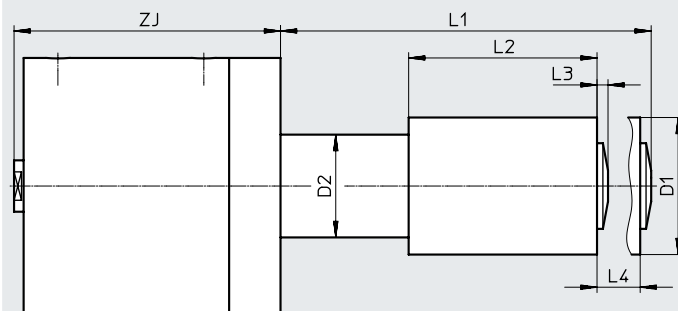


Stroke [in]	D8 ø	ZJ	ZM
1/8	1/4	2.33	2.655
1/4	1/4	2.45	2.9
1/2	1/4	2.7	3.4
1	1/4	3.2	4.4
1 1/2	1/4	3.7	5.4
2	1/4	4.2	6.4
3	1/4	5.2	8.4
4	1/4	6.2	10.4

Dimensions – piston diameter 4

Download CAD data → [www.festo.com](http://www.festo.com)

[E] Stroke adjustment



Stroke [in]	D1 ø	D2 ø	L1	L2	L3	L4	ZJ
1/8	2	1.5	1.66	0.88	0.15	0.63	2.33
1/4	2	1.5	1.91	1	0.16	0.63	2.45
1/2	2	1.5	2.41	1.25	0.16	0.63	2.7
1	2	1.5	3.41	1.75	0.16	0.63	3.2
1 1/2	2	1.5	4.41	2.25	0.16	0.63	3.7
2	2	1.5	5.41	2.75	0.16	0.63	4.2
3	2	1.5	7.41	3.75	0.16	0.63	5.2
4	2	1.5	9.41	4.75	0.16	0.63	6.2

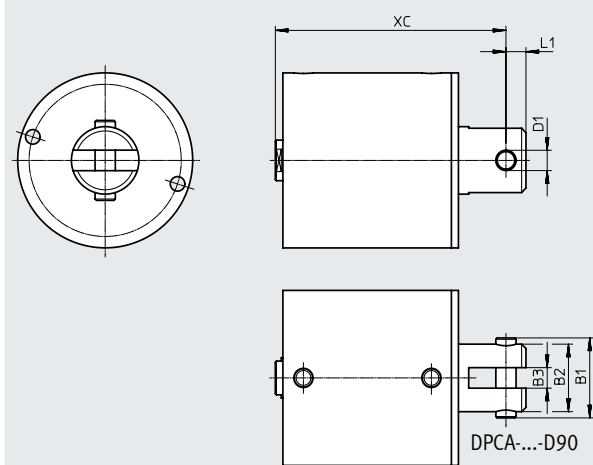
## Datasheet

## Dimensions – piston diameter 4

Download CAD data → [www.festo.com](http://www.festo.com)

[D] With swivel clevis

[D90] With swivel clevis, rotated 90°



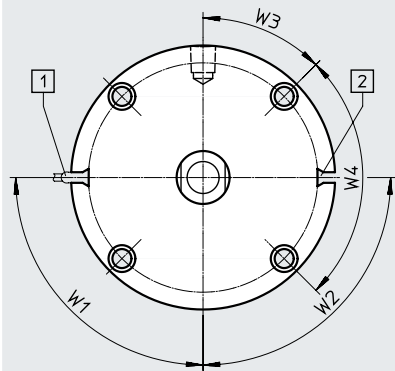
Stroke [in]	B1	B2	B3	D1 ∅	L1	XC			
						[L4]	[Q]	[Q-L4]	
1/8	2.24	2	0.63	0.625	0.63	3.33	–	3.52	–
1/4	2.24	2	0.63	0.625	0.63	3.46	–	3.65	–
5/16	2.24	2	0.63	0.625	0.63	–	3.71	–	3.9
1/2	2.24	2	0.63	0.625	0.63	3.71	–	3.9	–
1 3/16	2.24	2	0.63	0.625	0.63	–	4.21	–	4.4
1	2.24	2	0.63	0.625	0.63	4.21	–	4.4	–
1 5/16	2.24	2	0.63	0.625	0.63	–	4.71	–	4.9
1 1/2	2.24	2	0.63	0.625	0.63	4.71	–	4.9	–
1 13/16	2.24	2	0.63	0.625	0.63	–	5.21	–	5.4
2	2.24	2	0.63	0.625	0.63	5.21	–	5.4	–
2 13/16	2.24	2	0.63	0.625	0.63	–	6.21	–	6.4
3	2.24	2	0.63	0.625	0.63	6.21	–	6.4	–
3 13/16	2.24	2	0.63	0.625	0.63	–	7.21	–	7.4
4	2.24	2	0.63	0.625	0.63	7.21	–	7.4	–

Datasheet

**Dimensions – piston diameter 4**

Download CAD data → [www.festo.com](http://www.festo.com)

[A] For proximity switch



- [1] Sensor
- [2] Sensor slot

Stroke [in]	Sensor slot number				W1	W2				W3	W4
		[L4]	[Q]	[Q-L4]			[L4]	[Q]	[Q-L4]		
1/4	2	–	2	–	30°	30°	–	30°	–	45°	90°
5/16	–	2	–	2	30°	–	30°	–	30°	45°	90°
1/2	2	–	2	–	30°	30°	–	30°	–	45°	90°
1 3/16	–	2	–	2	30°	–	30°	–	30°	45°	90°
1	2	–	2	–	30°	30°	–	30°	–	45°	90°
1 5/16	–	1	–	1	30°	–	–	–	–	45°	90°
1 1/2	1	–	1	–	30°	–	–	–	–	45°	90°
1 13/16	–	1	–	1	30°	–	–	–	–	45°	90°
2	1	–	1	–	30°	–	–	–	–	45°	90°
2 13/16	–	1	–	1	30°	–	–	–	–	45°	90°
3	1	–	1	–	30°	–	–	–	–	45°	90°
3 13/16	–	1	–	1	30°	–	–	–	–	45°	90°
4	1	–	1	–	30°	–	–	–	–	45°	90°

## Ordering data – Modular product system

Ordering table											
Piston diameter	1/2	3/4	1 1/8	1 5/8	2	2 1/2	3	4	Conditions	Code	Enter code
Module no.	<b>8104871</b>	<b>8104872</b>	<b>8104873</b>	<b>8104874</b>	<b>8104875</b>	<b>8104876</b>	<b>8104877</b>	<b>8104878</b>			
Function	Compact cylinder, double-acting									DPCA	DPCA
System of units	Metric										
	Inch									-N	
Anti-twist protection	Without										
	With anti-twist protection									[1]	-Q
Running characteristics	Standard										
	Additional PTFE piston guide									[2]	L4
Piston diameter	1/2"	3/4"	1 1/8"	1 5/8"	2"	2 1/2"	3"	4"		-..."	
Stroke											
1/16"	1)	1)	2)	-	-	-	-	-		-1/16"	
1/8"				1)		1)	1)	1)		-1/8"	
3/16"	-	-	1)	-	-	-	-	-		-3/16"	
1/4"			1)					1)		-1/4"	
5/16"	-	-	-	-	-	-	-	2)		-5/16"	
3/8"			2)	-	1)	-	-	-		-3/8"	
1/2"			1)					1)		-1/2"	
5/8"			2)	-	-	-	-	-		-5/8"	
3/4"	1)	1)	1)					-		-3/4"	
1 3/16"	-	-	-	-	-	-	-	2)		-1 3/16"	
7/8"	-	-	2)	-	-	-	-	-		-7/8"	
1"			1)	1)	1)	1)	1)	1)		-1"	
1 1/8"	-	-	2)	-	-	-	-	-		-1 1/8"	
1 1/4"			1)	2)	2)	2)	2)	-		-1 1/4"	
1 5/16"	-	-	-	-	-	-	-	2)		-1 5/16"	
1 3/8"	-	-	2)	-	-	-	-	-		-1 3/8"	
1 1/2"			1)	1)	1)	1)	1)	1)		-1 1/2"	
1 5/8"	-	-	2)	-	-	-	-	-		-1 5/8"	
1 3/4"	-	-	1)	2)	2)	2)	2)	-		-1 3/4"	
1 1 3/16"	-	-	-	-	-	-	-	2)		-1 1 3/16"	
1 7/8"	-	-	2)	-	-	-	-	-		-1 7/8"	
2"			1)	1)	1)	1)	1)	1)		-2"	
2 3/4"	-	-	-	2)	2)	2)	2)	-		-2 3/4"	
2 1 3/16"	-	-	-	-	-	-	-	2)		-2 1 3/16"	
2 7/8"	-	-	2)	-	-	-	-	-		-2 7/8"	
3"			1)	1)	1)	1)	1)	1)		-3"	
3 3/4"	-	-	-	2)	2)	2)	2)	-		-3 3/4"	
3 1 3/16"	-	-	-	-	-	-	-	2)		-3 1 3/16"	
3 7/8"	-	-	2)	-	-	-	-	-		-3 7/8"	
4"			1)	1)	1)	1)	1)	1)		-4"	
Stroke adjustment	Without										
	Advancing/front									[3]	E
Function	Double-acting										

[1] Q  
Not with noise reduction SL, SL2

[2] L4  
Not with stroke adjustment E  
Not with piston rod type H, T

[3] E  
Not with running characteristic L4  
Not with piston rod type H, T  
Not with type of mounting D, U, D90, U90

1) Only with standard running characteristic  
2) Only with running characteristic L4

## Ordering data – Modular product system

Ordering table														
Piston diameter	1/2	3/4	1 1/8	1 5/8	2	2 1/2	3	4	Conditions	Code	Enter code			
Piston rod type	At one end													
	Through, hollow piston rod									[4] [5]	H			
	Through piston rod									[4]	T			
Piston rod thread type	External thread													
	Internal thread										F			
Type of mounting	Standard													
	With swivel clevis									[6]	D			
	With swiveling rod eye									-	-	-	[6]	U
	With swivel clevis, rotated 90°												[6]	D90
	With swiveling rod eye, rotated 90°									-	-	-	[6]	U90
Cushioning	No cushioning										-N			
	Flexible cushioning rings/pads at both ends										-P			
	Flexible cushioning rings/pads at front										-P2			
	Flexible cushioning rings/pads at rear										-P3			
Noise reduction	Without													
	-	-	Both sides							[7]	SL			
	-	-	Front							[8]	SL2			
	-	-	Rear							[9]	SL3			
Position sensing	Without													
	For proximity switch									[10]	A			
Scraper variant	None													
	Increased chemical resistance										-A1			

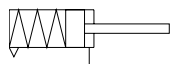
- [4] H, T  
Not with running characteristic L4  
Not with stroke adjustment E  
Not with type of mounting D, U, D90, U90
- [5] H  
Not with external piston rod type thread
- [6] D, U, D90, U90  
Not with stroke adjustment E  
Not with piston rod type H, T
- [7] SL  
Not with anti-twist protection Q  
Not with cushioning P, P2, P3
- [8] SL2  
Not with anti-twist protection Q  
Not with cushioning P, P2
- [9] SL3  
Not with cushioning P, P3
- [10] A  
Not with stroke 1/16, 3/16  
Not with stroke 1/8 for piston diameter 1/2, 3/4, 1 1/8, 1 5/8, 2 1/2, 3, 4  
Not with stroke 1/8 for piston diameter 2 and standard running characteristic  
Not with stroke 1/4 for piston diameter 1/2, 3/4 and standard running characteristic  
Not with stroke 1/4 for piston diameter 1 1/8  
Not with stroke 1/4 for piston diameter 1 5/8 and standard running characteristic and anti-twist protection Q  
Not with stroke 3/8 for piston diameter 1 1/8 and anti-twist protection Q  
Not with stroke 1/2 for piston diameter 1 1/8 and anti-twist protection Q  
Not with cushioning P, P2 for piston diameter 1/2, 1 1/8, 1 5/8, 2



## Datasheet

Function

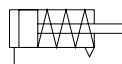
DPCA-...-P



-  $\varnothing$  - Diameter  
1/2 ... 3 inch

- | - Stroke length  
1/16 ... 2 inch

DPCA-...-S



General technical data						
Piston diameter	1/2	3/4	1 1/8	1 5/8	2	2 1/2   3
Design	Piston					
	Piston rod					
	Cylinder barrel					
Mode of operation						
[P]	Single-acting, pulling (piston rod advanced by spring force)					
[S]	Single-acting, pushing (piston rod retracted by spring force)					
Piston rod end	External thread					
	Internal thread					
Pneumatic connection						
[ ]	M5		G1/8			
[N]	10-32 UNF-2B		1/8 NPT			
Piston rod thread						
[ ]	8-32 UNC-2A	10-32 UNF-2A	5/16-24 UNF-2A	3/8-24 UNF-2A	1/2-20 UNF-2A	
[F]	8-32 UNC-2B	10-32 UNF-2B	5/16-24 UNF-2B	3/8-24 UNF-2B	1/2-20 UNF-2B	
Stroke	[in]	1/16 ... 2		1/8 ... 1 1/2		
Cushioning						
[P2]	Flexible cushioning rings/pads at front <sup>1)</sup>					
[P3]	Flexible cushioning rings/pads at rear <sup>2)</sup>					
Type of mounting						
	With through-hole					
	With accessories					
[U]	With swiveling rod eye on end cap					-
[D]	With swivel clevis on end cap					
[U90]	With swiveling rod eye on end cap rotated 90°					-
[D90]	With swivel clevis on end cap rotated 90°					
Mounting position	Any					

1) Not variant single-acting, pushing (piston rod retracted by spring force)

2) Not variant single-acting, pulling (piston rod advanced by spring force)

## Datasheet

<b>Operating and environmental conditions</b>		1/2	3/4	1 1/8	1 5/8	2	2 1/2	3
Piston diameter								
Operating pressure	[psi]	15 ... 150						
Operating medium		Compressed air to ISO 8573-1:2010 [7:4:4]						
Information on operating and pilot media		Operation with oil lubrication possible (required for further use)						
Ambient temperature <sup>1)</sup>	[°F]	-25 ... +250						

1) Note operating range of proximity switches

<b>Weight [lb]</b>		1/2	3/4	1 1/8	1 5/8	2	2 1/2	3
Piston diameter								
Product weight		0.08 ... 0.46	0.14 ... 0.81	0.28 ... 1.39	0.6 ... 3.8	0.89 ... 3.95	1.43 ... 4.73	1.89 ... 5.72

<b>Materials</b>	
Cover	Wrought aluminum alloy
Dynamic seals	NBR
	FPM
Piston rod	High-alloy steel
Cylinder barrel	Wrought aluminum alloy
Note on materials	Contains paint-wetting impairment substances
	RoHS-compliant

## Datasheet

Forces [lbs] at 80 psi							
Piston diameter	1/2	3/4	1 1/8	1 5/8	2	2 1/2	3
[P] Single-acting, pulling (piston rod advanced by spring force)							
Stroke start/stroke end [in]							
1/16	10.3/9	26.8/25.8	–	–	–	–	–
1/8	10.3/9	26.1/24.3	5 8/55.5	127.5/121	207.5/201	351.4/345.6	524.2/518.4
3/16	–	–	59/55.5	–	–	–	–
1/4	11.3/9	27.3/24.3	60/55.5	131.5/121	211.5/201	355.1/345.6	518.4/511.9
3/8	10.8/8.8	26.3/24.1	–	–	206.5/196	–	–
1/2	11.3/8.8	26.8/24.1	60.5/52.5	130.5/117.5	209/196	352.1/339.1	523.9/514.9
5/8	–	–	–	–	–	–	–
3/4	–	–	60.1/46.9	132/118.5	210/198	352.6/342.1	525.4/514.9
1	–	–	60.7/45.8	131.2/116	211.3/196	352.4/337.1	525.4/514.9
1 1/4	–	–	61.5/47.2	–	–	–	–
1 1/2	–	–	59.7/45.9	–	–	–	525.2/509.9
1 3/4	–	–	–	–	–	–	–
2	–	–	–	–	–	–	–
[S] single-acting, pushing (piston rod retracted by spring force)							
Stroke start/stroke end [in]							
1/16	14/12.8	33.2/32.2	–	–	–	–	–
1/8	14/12.8	32.5/30.7	73.2/70.7	150.6/145.6	239.2/233.2	380.8/374.8	553.6/547.6
3/16	–	–	74.2/70.7	–	–	–	–
1/4	15.1/12.8	33.7/30.7	75.2/70.7	157.1/145.6	245/233.2	386.8/374.8	553.6/547.1
3/8	14.8/12.8	32.7/30.5	–	–	239.2/230.2	–	–
1/2	15.3/12.8	33.2/30.5	75.4/67.4	157.1/145.6	244.2/231.2	385.8/372.8	559.1/550.1
5/8	14.1/12.5	32.7/30.4	–	–	–	–	–
3/4	14.8/12.8	32.7/30.4	74.8/61.5	159.6/147.6	246.2/235.7	387.8/377.3	560.6/550.1
1	15/12.5	33/30.3	75.5/60.6	160.8/145.6	246.5/231.2	388.1/372.8	560.9/545.6
1 1/4	14.3/10.3	33.7/30.2	74.2/61.4	–	–	–	–
1 1/2	14.7/10.7	33.9/29.9	74.6/60.9	159.6/147.6	246.2/231.2	385.5/372.8	558.3/545.6
1 3/4	–	–	76.7/57	–	–	–	–
2	14.7/9.3	33.9/28.5	76.4/61.5	–	–	–	–

## Datasheet

Forces [lbs] at 80 psi							
Piston diameter	1/2	3/4	1 1/8	1 5/8	2	2 1/2	3
[P] Single-acting, pulling (piston rod advanced by spring force)							
[L4] additional PTFE piston guide							
Stroke start/stroke end [in]							
1/16	–	–	59/55.5	–	–	–	–
1/8	10.3/9	27.3/24.3	60/55.5	–	205.3/198	–	–
1/4	10.3/9	26.3/24	–	131.5/121	209/196	346.4/339.1	518.7/513.3
3/8	11.3/9	26.8/24	60.5/55.5	–	–	–	–
1/2	–	–	–	130.5/117.5	210/198	345.2/336.5	519.8/511.1
5/8	–	–	57.9/46.9	–	–	–	–
3/4	–	–	–	132/118.5	211.3/196	347.4/335	521.9/509.6
7/8	–	–	58.9/45.8	–	–	–	–
1	–	–	–	–	–	–	–
1 1/8	–	–	60/47.2	–	–	–	–
1 1/4	–	–	–	–	–	–	–
1 3/8	–	–	58.5/45.9	–	–	–	–
1 1/2	–	–	–	–	–	–	–
1 5/8	–	–	–	–	–	–	–
1 7/8	–	–	–	–	–	–	–
2	–	–	–	–	–	–	–
[S] single-acting, pushing (piston rod retracted by spring force)							
[L4] additional PTFE piston guide							
Stroke start/stroke end [in]							
1/16	–	–	74.2/70.7	–	–	–	–
1/8	13.2/12.8	32.4/30.7	75.2/70.7	–	239.9/230.2	–	–
1/4	14/12.8	33.7/30.7	–	157.1/145.6	243.9/231.2	379.7/372.8	553.9/548.6
3/8	14.8/12.8	32.7/30.4	75.4/67.4	–	–	–	–
1/2	14.1/12.5	32.7/30.4	–	157.1/145.6	245/235.7	382.2/377.3	555/546.3
5/8	14.1/12.5	32.7/30.4	74.8/61.5	–	–	–	–
3/4	16	–	–	159.6/147.6	243.6/231.2	384.8/372.8	557.7/545.6
7/8	–	–	75.5/60.6	–	–	–	–
1	15/12.5	33.7/30.3	–	–	–	–	–
1 1/8	–	–	74.2/61.4	–	–	–	–
1 1/4	14.3/10.3	34/30.2	–	158.5/145.6	246.4/231.2	383.3/372.8	556.1/545.6
1 3/8	–	–	74.6/60.9	–	–	–	–
1 1/2	14.7/10.7	33.9/29.9	–	–	–	–	–
1 5/8	–	–	76.7/57	–	–	–	–
1 7/8	–	–	76.4/61.5	–	–	–	–
2	14.7/10.7	33.9/28.9	–	–	–	–	–

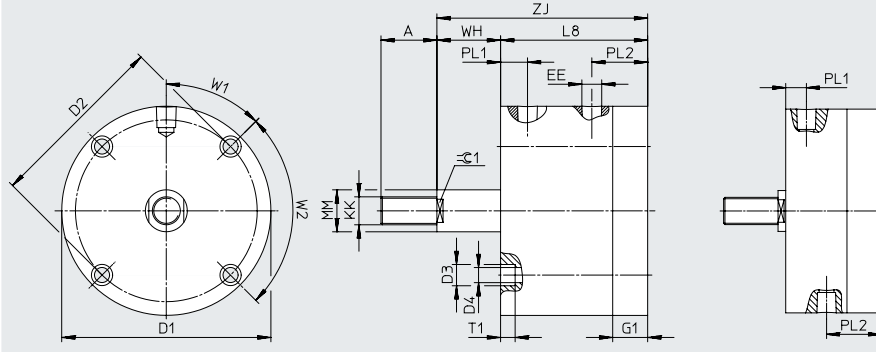
Datasheet

Dimensions – piston diameter 1/2

Download CAD data → [www.festo.com](http://www.festo.com)

[P] Single-acting, pulling (piston rod advanced by spring force)

DPCA-...-1/16"...1/4"  
DPCA-...-L4-...-1/8"



Stroke [in]	A	D1 ∅	D2 ∅	D3 ∅	D4 ∅	EE		G1	KK		L8	
							[N]			[N]		[L4]
1/16	0.5	1.13	0.88	0.23	0.14	M5	10-32	0.19	M4	8-32 UNC-2A	0.7575	-
1/8	0.5	1.13	0.88	0.23	0.14	M5	10-32	0.19	M4	8-32 UNC-2A	0.905	1.005
1/4	0.5	1.13	0.88	0.23	0.14	M5	10-32	0.19	M4	8-32 UNC-2A	1.01	1.29
3/8	0.5	1.13	0.88	0.23	0.14	M5	10-32	0.19	M4	8-32 UNC-2A	1.295	1.415
1/2	0.5	1.13	0.88	0.23	0.14	M5	10-32	0.19	M4	8-32 UNC-2A	1.42	-

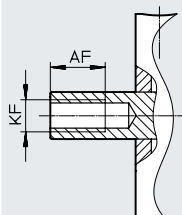
Stroke [in]	MM ∅	PL1		PL2	T1		W1	W2	WH	ZJ		∅ 1
			[L4]			[L4]					[L4]	
1/16	0.25	0.3275	-	0.31	0.1275	-	90°	-	0.1925	0.95	-	0.19
1/8	0.25	0.325	0.325	0.31	0.135	0.125	90°	-	0.255	1.16	1.26	0.19
1/4	0.25	0.33	0.32	0.31	0.13	0.13	90°	-	0.38	1.39	1.67	0.19
3/8	0.25	0.325	0.325	0.31	0.135	0.125	90°	-	0.505	1.8	1.92	0.19
1/2	0.25	0.33	-	0.31	0.13	-	90°	-	0.63	2.05	-	0.19

Dimensions – piston diameter 1/2

Download CAD data → [www.festo.com](http://www.festo.com)

[P] Single-acting, pulling (piston rod advanced by spring force)

[F] Internal thread



Stroke [in]	AF	AF		KF	
			[L4]		[N]
1/16	0.25	-	-	M4	8-32 UNC-2B
1/8	0.25	0.25	-	M4	8-32 UNC-2B
1/4	0.25	0.25	-	M4	8-32 UNC-2B
3/8	0.38	0.38	-	M4	8-32 UNC-2B
1/2	0.38	-	-	M4	8-32 UNC-2B

Datasheet

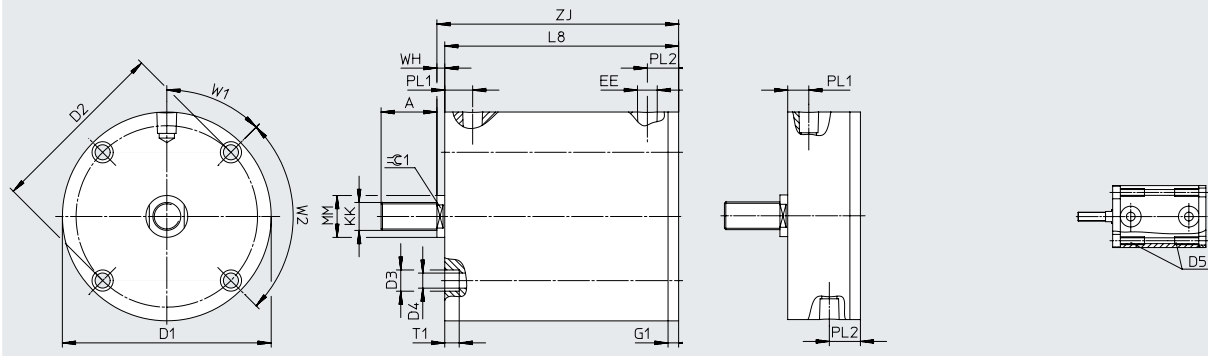
**Dimensions – piston diameter 1/2**

Download CAD data → [www.festo.com](http://www.festo.com)

[S] Single-acting, pushing (piston rod retracted by spring force)

DPCA-...-1/16"...1/4"  
DPCA-...-L4-...-1/8"

DPCA-...-5/8"...2"  
DPCA-...-L4-...-1/2"...2"



Stroke [in]	A	D1 ∅	D2 ∅	D3 ∅		D4 ∅		D5		EE		G1	KK	
					[L4]		[L4]		[L4]		[N]			[N]
1/16	0.5	1.13	0.88	0.23	-	0.14	-	-	-	M4	10-32	0.13	M4	8-32 UNC-2A
1/8	0.5	1.13	0.88	0.23	0.23	0.14	0.14	-	-	M4	10-32	0.13	M4	8-32 UNC-2A
1/4	0.5	1.13	0.88	0.23	0.23	0.14	0.14	-	-	M4	10-32	0.13	M4	8-32 UNC-2A
3/8	0.5	1.13	0.88	0.23	0.23	0.14	0.14	-	-	M4	10-32	0.13	M4	8-32 UNC-2A
1/2	0.5	1.13	0.88	0.23	-	0.14	-	-	6-32x0.44	M4	10-32	0.13	M4	8-32 UNC-2A
5/8	0.5	1.13	0.88	-	-	-	-	6-32x0.44	6-32x0.44	M4	10-32	0.13	M4	8-32 UNC-2A
3/4	0.5	1.13	0.88	-	-	-	-	6-32x0.44	-	M4	10-32	0.13	M4	8-32 UNC-2A
1	0.5	1.13	0.88	-	-	-	-	6-32x0.44	6-32x0.44	M4	10-32	0.13	M4	8-32 UNC-2A
1 1/4	0.5	1.13	0.88	-	-	-	-	6-32x0.44	6-32x0.44	M4	10-32	0.13	M4	8-32 UNC-2A
1 1/2	0.5	1.13	0.88	-	-	-	-	6-32x0.44	6-32x0.44	M4	10-32	0.13	M4	8-32 UNC-2A
2	0.5	1.13	0.88	-	-	-	-	6-32x0.44	6-32x0.44	M4	10-32	0.13	M4	8-32 UNC-2A

Stroke [in]	L8		MM ∅	PL1	PL2	T1		W1	W2	WH	ZJ		≈C 1
		[L4]					[L4]					[L4]	
1/16	0.7	-	0.25	0.33	0.31	0.14	-	90°	-	0.13	0.83	-	0.19
1/8	0.83	0.95	0.25	0.33	0.31	0.14	0.14	90°	-	0.13	0.96	1.08	0.19
1/4	0.95	1.23	0.25	0.33	0.31	0.14	0.14	90°	-	0.13	1.08	1.36	0.19
3/8	1.23	1.36	0.25	0.33	0.31	0.14	0.14	90°	-	0.13	1.36	1.49	0.19
1/2	1.36	1.7	0.25	0.33	0.31	0.14	-	90°	-	0.13	1.49	1.83	0.19
5/8	1.7	2.2	0.25	0.33	0.31	-	-	90°	-	0.13	1.83	2.33	0.19
3/4	2.2	-	0.25	0.33	0.31	-	-	90°	-	0.13	2.33	-	0.19
1	2.83	2.83	0.25	0.42	0.31	-	-	90°	-	0.13	2.96	-	0.19
1 1/4	2.83	2.83	0.25	0.42	0.31	-	-	90°	-	0.13	2.96	-	0.19
1 1/2	3.83	3.83	0.25	0.42	0.31	-	-	90°	-	0.13	3.96	-	0.19
2	3.83	3.83	0.25	0.42	0.31	-	-	90°	-	0.13	3.96	-	0.19

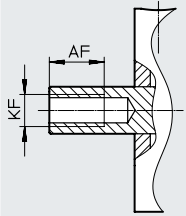
## Datasheet

## Dimensions – piston diameter 1/2

Download CAD data → [www.festo.com](http://www.festo.com)

[S] Single-acting, pushing (piston rod retracted by spring force)

[F] Internal thread



Stroke [in]	AF	KF		
		[L4]		[N]
1/16	0.25	–	M4	8-32 UNC-2B
1/8	0.25	0.38	M4	8-32 UNC-2B
1/4	0.38	0.38	M4	8-32 UNC-2B
3/8	0.38	0.38	M4	8-32 UNC-2B
1/2	0.38	0.38	M4	8-32 UNC-2B
5/8	0.38	0.38	M4	8-32 UNC-2B
3/4	0.38	–	M4	8-32 UNC-2B
1	0.38	0.38	M4	8-32 UNC-2B
1 1/4	0.38	0.38	M4	8-32 UNC-2B
1 1/2	0.38	0.38	M4	8-32 UNC-2B
2	0.38	0.38	M4	8-32 UNC-2B

Datasheet

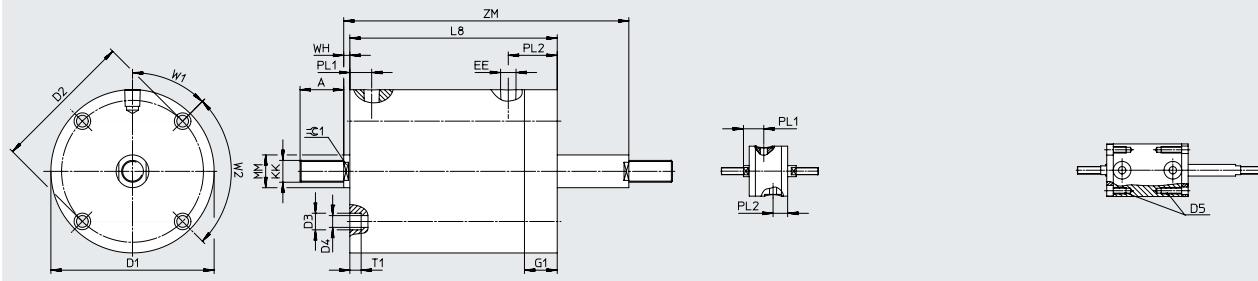
Dimensions – piston diameter 1/2

Download CAD data → [www.festo.com](http://www.festo.com)

[T] Through piston rod

DPCA-...-1/16" ...1/4"

DPCA-...-5/8" ...2"



Stroke [in]	A	D1 ∅	D2 ∅	D3 ∅	D4 ∅	D5	EE		G1	KK	
								[N]			[N]
1/16	0.5	1.13	0.88	0.23	0.14	-	M5	10-32	0.14	M4	8-32 UNC-2A
1/8	0.5	1.13	0.88	0.23	0.14	-	M5	10-32	0.14	M4	8-32 UNC-2A
1/4	0.5	1.13	0.88	0.23	0.14	-	M5	10-32	0.14	M4	8-32 UNC-2A
3/8	0.5	1.13	0.88	0.23	0.14	-	M5	10-32	0.14	M4	8-32 UNC-2A
1/2	0.5	1.13	0.88	0.23	0.14	-	M5	10-32	0.14	M4	8-32 UNC-2A
5/8	0.5	1.13	0.88	-	-	6-32x0.44	M5	10-32	0.14	M4	8-32 UNC-2A
3/4	0.5	1.13	0.88	-	-	6-32x0.44	M5	10-32	0.14	M4	8-32 UNC-2A
1	0.5	1.13	0.88	-	-	6-32x0.44	M5	10-32	0.14	M4	8-32 UNC-2A
1 1/4	0.5	1.13	0.88	-	-	6-32x0.44	M5	10-32	0.14	M4	8-32 UNC-2A
1 1/2	0.5	1.13	0.88	-	-	6-32x0.44	M5	10-32	0.14	M4	8-32 UNC-2A
2	0.5	1.13	0.88	-	-	6-32x0.44	M5	10-32	0.14	M4	8-32 UNC-2A

Stroke [in]	L8	MM ∅	PL1	PL2	T1	W1	W2	WH	ZM	⊖ 1
1/16	0.87	0.25	0.33	0.33	0.14	90°	-	0.13	1.1925	0.19
1/8	1	0.25	0.33	0.33	0.14	90°	-	0.13	1.385	0.19
1/4	1.12	0.25	0.33	0.33	0.14	90°	-	0.13	1.63	0.19
3/8	1.42	0.25	0.33	0.33	0.14	90°	-	0.13	2.055	0.19
1/2	1.54	0.25	0.33	0.33	0.14	90°	-	0.13	2.3	0.19
5/8	1.75	0.25	0.33	0.33	-	90°	-	0.13	2.635	0.19
3/4	2.25	0.25	0.33	0.33	-	90°	-	0.13	3.26	0.19
1	2.75	0.25	0.33	0.33	-	90°	-	0.13	4.01	0.19
1 1/4	2.75	0.25	0.33	0.33	-	90°	-	0.13	4.26	0.19
1 1/2	3.75	0.25	0.33	0.33	-	90°	-	0.13	5.51	0.19
2	3.75	0.25	0.33	0.33	-	90°	-	0.13	6.01	0.19

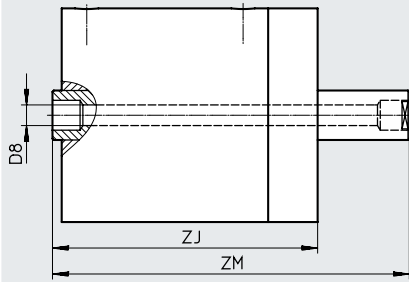


Datasheet

**Dimensions – piston diameter 1/2**

Download CAD data → [www.festo.com](http://www.festo.com)

[H] Through, hollow piston rod



Stroke [in]	D8 ∅	ZJ	ZM
1/16	1/16	1	1.1925
1/8	1/16	1	1.255
1/4	1/16	1.13	1.51
3/8	1/16	1.25	1.755
1/2	1/16	1.38	2.01
5/8	1/16	1.5	2.255
3/4	1/16	1.63	2.51
1	1/16	1.88	3.01
1 1/4	1/16	2.13	3.51
1 1/2	1/16	2.38	4.01
2	1/16	2.88	5.01

**Dimensions – piston diameter 1/2**

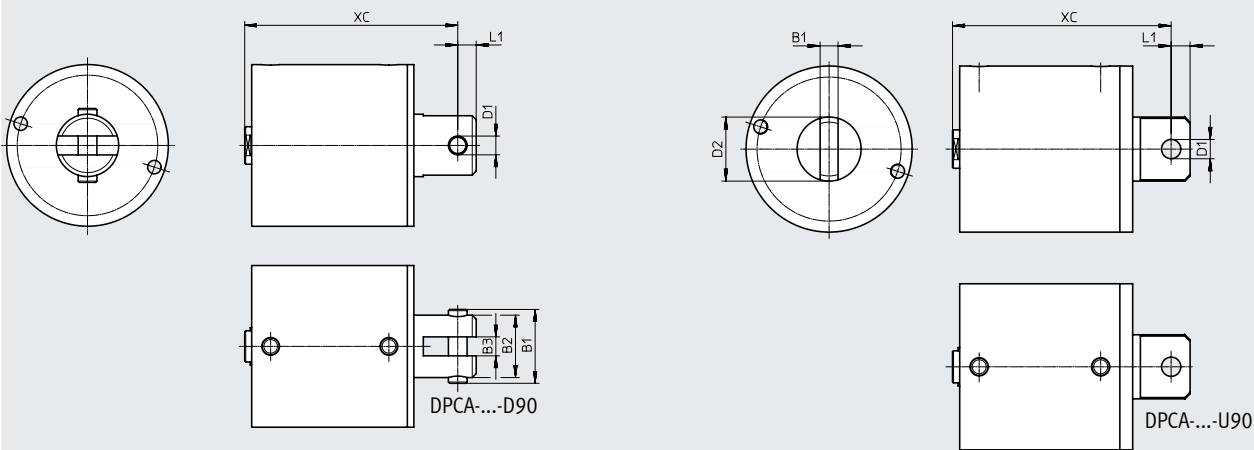
Download CAD data → [www.festo.com](http://www.festo.com)

[D] With swivel clevis

[U] With swiveling rod eye

[D90] With swivel clevis, rotated 90°

[U90] With swiveling rod eye, rotated 90°



Stroke [in]	B1		B2	B3	D1 ∅		D2 ∅	L1	XC			
	[D/D90]	[U/U90]			[D/D90]	[U/U90]			[S]	[L4-S]	[P]	[L4-P]
1/16	0.83	0.23	0.63	0.25	0.25	0.251	0.63	0.25	1.27	-	1.39	-
1/8	0.83	0.23	0.63	0.25	0.25	0.251	0.63	0.25	1.4	1.52	1.6	1.7
1/4	0.83	0.23	0.63	0.25	0.25	0.251	0.63	0.25	1.52	1.8	1.83	2.11
3/8	0.83	0.23	0.63	0.25	0.25	0.251	0.63	0.25	1.8	1.93	2.24	2.36
1/2	0.83	0.23	0.63	0.25	0.25	0.251	0.63	0.25	1.93	2.27	2.49	-
5/8	0.83	0.23	0.63	0.25	0.25	0.251	0.63	0.25	2.27	2.77	-	-
3/4	0.83	0.23	0.63	0.25	0.25	0.251	0.63	0.25	2.77	-	-	-
1	0.83	0.23	0.63	0.25	0.25	0.251	0.63	0.25	3.4	3.4	-	-
1 1/4	0.83	0.23	0.63	0.25	0.25	0.251	0.63	0.25	3.4	3.4	-	-
1 1/2	0.83	0.23	0.63	0.25	0.25	0.251	0.63	0.25	4.4	4.4	-	-
2	0.83	0.23	0.63	0.25	0.25	0.251	0.63	0.25	4.4	4.4	-	-

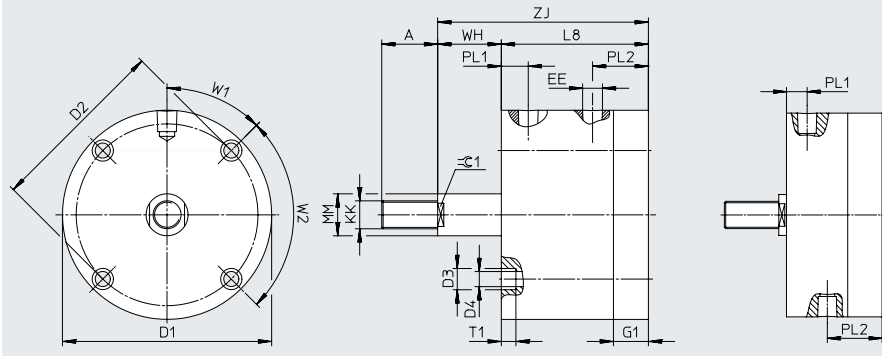
Datasheet

**Dimensions – piston diameter 3/4**

Download CAD data → [www.festo.com](http://www.festo.com)

[P] Single-acting, pulling (piston rod advanced by spring force)

DPCA-...-1/16"...1/4"  
DPCA-...-L4-...-1/8"



Stroke [in]	A	D1 ø	D2 ø	D3 ø	D4 ø		EE		G1	KK		L8	
						[L4]		[N]			[N]		[L4]
1/16	0.5	1.5	1.19	0.23	0.14	–	M5	10-32	0.19	M5	10-32 UNF-2A	0.7575	–
1/8	0.5	1.5	1.19	0.23	0.14	0.13	M5	10-32	0.19	M5	10-32 UNF-2A	0.905	1.005
1/4	0.5	1.5	1.19	0.23	0.14	0.13	M5	10-32	0.19	M5	10-32 UNF-2A	1.01	1.29
3/8	0.5	1.5	1.19	0.23	0.14	0.13	M5	10-32	0.19	M5	10-32 UNF-2A	1.295	1.415
1/2	0.5	1.5	1.19	0.23	0.14	–	M5	10-32	0.19	M5	10-32 UNF-2A	1.42	–

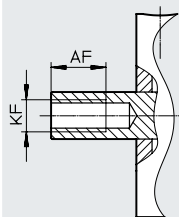
Stroke [in]	MM ø	PL1		PL2	T1		W1	W2	WH	ZJ		0.25
			[L4]			[L4]					[L4]	
1/16	0.31	0.3275	–	0.31	0.1275	–	90°	–	0.1925	0.95	–	0.25
1/8	0.31	0.325	0.325	0.31	0.135	0.125	90°	–	0.255	1.16	1.26	0.25
1/4	0.31	0.33	0.32	0.31	0.13	0.13	90°	–	0.38	1.39	1.67	0.25
3/8	0.31	0.325	0.325	0.31	0.135	0.125	90°	–	0.505	1.8	1.92	0.25
1/2	0.31	0.33	–	0.31	0.13	–	90°	–	0.63	2.05	–	0.25

**Dimensions – piston diameter 3/4**

Download CAD data → [www.festo.com](http://www.festo.com)

[P] Single-acting, pulling (piston rod advanced by spring force)

[F] Internal thread



Stroke [in]	AF	KF	
		[L4]	[N]
1/16	0.25	–	M5 10-32 UNF-2B
1/8	0.25	0.25	M5 10-32 UNF-2B
1/4	0.25	0.25	M5 10-32 UNF-2B
3/8	0.38	0.38	M5 10-32 UNF-2B
1/2	0.38	–	M5 10-32 UNF-2B

Datasheet

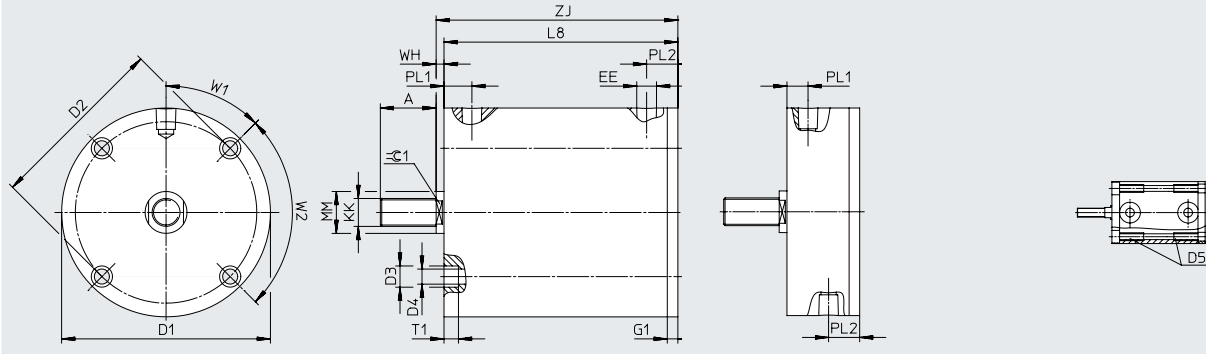
**Dimensions – piston diameter 3/4**

Download CAD data → [www.festo.com](http://www.festo.com)

[S] Single-acting, pushing (piston rod retracted by spring force)

DPCA-...-1/16" ... 1/4"  
DPCA-...-L4-...-1/8"

DPCA-...-5/8" ... 2"  
DPCA-...-L4-...-1/2" ... 2"



Stroke [in]	A	D1 ∅	D2 ∅	D3 ∅		D4 ∅		D5		EE		G1	KK	
				[L4]	[L4]	[L4]	[L4]	[N]	[N]					
1/16	0.5	1.5	1.19	0.23	–	0.14	–	–	–	M5	10-32	0.13	M5	10-32 UNF-2A
1/8	0.5	1.5	1.19	0.23	0.23	0.14	0.13	–	–	M5	10-32	0.13	M5	10-32 UNF-2A
1/4	0.5	1.5	1.19	0.23	0.23	0.14	0.13	–	–	M5	10-32	0.13	M5	10-32 UNF-2A
3/8	0.5	1.5	1.19	0.23	0.23	0.14	0.13	–	–	M5	10-32	0.13	M5	10-32 UNF-2A
1/2	0.5	1.5	1.19	0.23	–	0.14	–	–	8-32x0.44	M5	10-32	0.13	M5	10-32 UNF-2A
5/8	0.5	1.5	1.19	–	–	–	–	8-32x0.44	8-32x0.44	M5	10-32	0.13	M5	10-32 UNF-2A
3/4	0.5	1.5	1.19	–	–	–	–	8-32x0.44	–	M5	10-32	0.13	M5	10-32 UNF-2A
1	0.5	1.5	1.19	–	–	–	–	8-32x0.44	8-32x0.44	M5	10-32	0.13	M5	10-32 UNF-2A
1 1/4	0.5	1.5	1.19	–	–	–	–	8-32x0.44	8-32x0.44	M5	10-32	0.13	M5	10-32 UNF-2A
1 1/2	0.5	1.5	1.19	–	–	–	–	8-32x0.44	8-32x0.44	M5	10-32	0.13	M5	10-32 UNF-2A
2	0.5	1.5	1.19	–	–	–	–	8-32x0.44	8-32x0.44	M5	10-32	0.13	M5	10-32 UNF-2A

Stroke [in]	L8		MM ∅	PL1	PL2	T1		W1	W2	WH	ZJ		≈ 1
	[L4]	[L4]				[L4]	[L4]				[L4]	[L4]	
1/16	0.7	–	0.31	0.33	0.31	0.14	–	90°	–	0.13	0.83	–	0.25
1/8	0.83	0.95	0.31	0.33	0.31	0.14	0.14	90°	–	0.13	0.96	1.08	0.25
1/4	0.95	1.23	0.31	0.33	0.31	0.14	0.14	90°	–	0.13	1.08	1.36	0.25
3/8	1.23	1.36	0.31	0.33	0.31	0.14	0.14	90°	–	0.13	1.36	1.49	0.25
1/2	1.36	1.7	0.31	0.33	0.31	0.14	–	90°	–	0.13	1.49	1.83	0.25
5/8	1.7	2.2	0.31	0.33	0.31	–	–	90°	–	0.13	1.83	2.33	0.25
3/4	2.2	–	0.31	0.33	0.31	–	–	90°	–	0.13	2.33	–	0.25
1	2.83	2.83	0.31	0.42	0.31	–	–	90°	–	0.13	2.96	–	0.25
1 1/4	2.83	2.83	0.31	0.42	0.31	–	–	90°	–	0.13	2.96	–	0.25
1 1/2	3.83	3.83	0.31	0.42	0.31	–	–	90°	–	0.13	3.96	–	0.25
2	3.83	3.83	0.31	0.42	0.31	–	–	90°	–	0.13	3.96	–	0.25

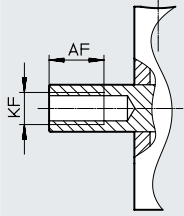
## Datasheet

## Dimensions – piston diameter 3/4

Download CAD data → [www.festo.com](http://www.festo.com)

[S] Single-acting, pushing (piston rod retracted by spring force)

[F] Internal thread



Stroke [in]	AF	KF		
		AF [L4]		[N]
1/16	0.25	–	M5	10-32 UNF-2B
1/8	0.25	0.38	M5	10-32 UNF-2B
1/4	0.38	0.38	M5	10-32 UNF-2B
3/8	0.38	0.38	M5	10-32 UNF-2B
1/2	0.38	0.38	M5	10-32 UNF-2B
5/8	0.38	0.38	M5	10-32 UNF-2B
3/4	0.38	–	M5	10-32 UNF-2B
1	0.38	0.38	M5	10-32 UNF-2B
1 1/4	0.38	0.38	M5	10-32 UNF-2B
1 1/2	0.38	0.38	M5	10-32 UNF-2B
2	0.38	0.38	M5	10-32 UNF-2B

Datasheet

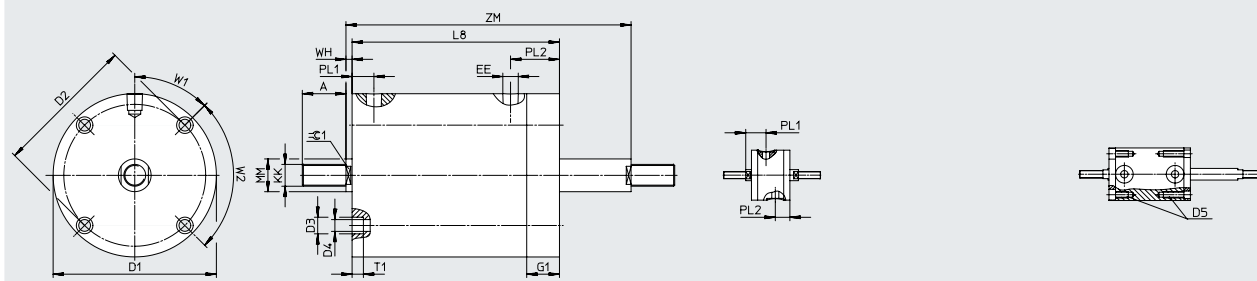
Dimensions – piston diameter 3/4

Download CAD data → [www.festo.com](http://www.festo.com)

[T] Through piston rod

DPCA-...-1/16" ...1/4"

DPCA-...-5/8" ...2"



Stroke [in]	A	D1 ∅	D2 ∅	D3 ∅	D4 ∅	D5	EE		G1	KK	
								[N]			[N]
1/16	0.5	1.5	1.19	0.23	0.14	–	M5	10-32	0.14	M5	10-32 UNF-2A
1/8	0.5	1.5	1.19	0.23	0.14	–	M5	10-32	0.14	M5	10-32 UNF-2A
1/4	0.5	1.5	1.19	0.23	0.14	–	M5	10-32	0.14	M5	10-32 UNF-2A
3/8	0.5	1.5	1.19	0.23	0.14	–	M5	10-32	0.14	M5	10-32 UNF-2A
1/2	0.5	1.5	1.19	0.23	0.14	–	M5	10-32	0.14	M5	10-32 UNF-2A
5/8	0.5	1.5	1.19	–	–	8-32x0.44	M5	10-32	0.14	M5	10-32 UNF-2A
3/4	0.5	1.5	1.19	–	–	8-32x0.44	M5	10-32	0.14	M5	10-32 UNF-2A
1	0.5	1.5	1.19	–	–	8-32x0.44	M5	10-32	0.14	M5	10-32 UNF-2A
1 1/4	0.5	1.5	1.19	–	–	8-32x0.44	M5	10-32	0.14	M5	10-32 UNF-2A
1 1/2	0.5	1.5	1.19	–	–	8-32x0.44	M5	10-32	0.14	M5	10-32 UNF-2A
2	0.5	1.5	1.19	–	–	8-32x0.44	M5	10-32	0.14	M5	10-32 UNF-2A

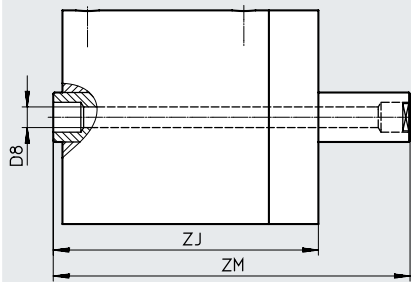
Stroke [in]	L8	MM ∅	PL1	PL2	T1	W1	W2	WH	ZM	≈C 1
1/16	0.87	0.31	0.33	0.33	0.14	90°	–	0.13	1.1925	0.25
1/8	1	0.31	0.33	0.33	0.14	90°	–	0.13	1.385	0.25
1/4	1.12	0.31	0.33	0.33	0.14	90°	–	0.13	1.63	0.25
3/8	1.42	0.31	0.33	0.33	0.14	90°	–	0.13	2.055	0.25
1/2	1.54	0.31	0.33	0.33	0.14	90°	–	0.13	2.3	0.25
5/8	1.75	0.31	0.33	0.33	–	90°	–	0.13	2.635	0.25
3/4	2.25	0.31	0.33	0.33	–	90°	–	0.13	3.26	0.25
1	2.75	0.31	0.33	0.33	–	90°	–	0.13	4.01	0.25
1 1/4	2.75	0.31	0.33	0.33	–	90°	–	0.13	4.26	0.25
1 1/2	3.75	0.31	0.33	0.33	–	90°	–	0.13	5.51	0.25
2	3.75	0.31	0.33	0.33	–	90°	–	0.13	6.01	0.25

Datasheet

**Dimensions – piston diameter 3/4**

Download CAD data → [www.festo.com](http://www.festo.com)

[H] Through, hollow piston rod



Stroke [in]	D8 ∅	ZJ	ZM
1/16	1/16	1	1.1925
1/8	1/16	1	1.255
1/4	1/16	1.13	1.51
3/8	1/16	1.25	1.755
1/2	1/16	1.38	2.01
5/8	1/16	1.5	2.255
3/4	1/16	1.63	2.51
1	1/16	1.88	3.01
1 1/4	1/16	2.13	3.51
1 1/2	1/16	2.38	4.01
2	1/16	2.88	5.01

**Dimensions – piston diameter 3/4**

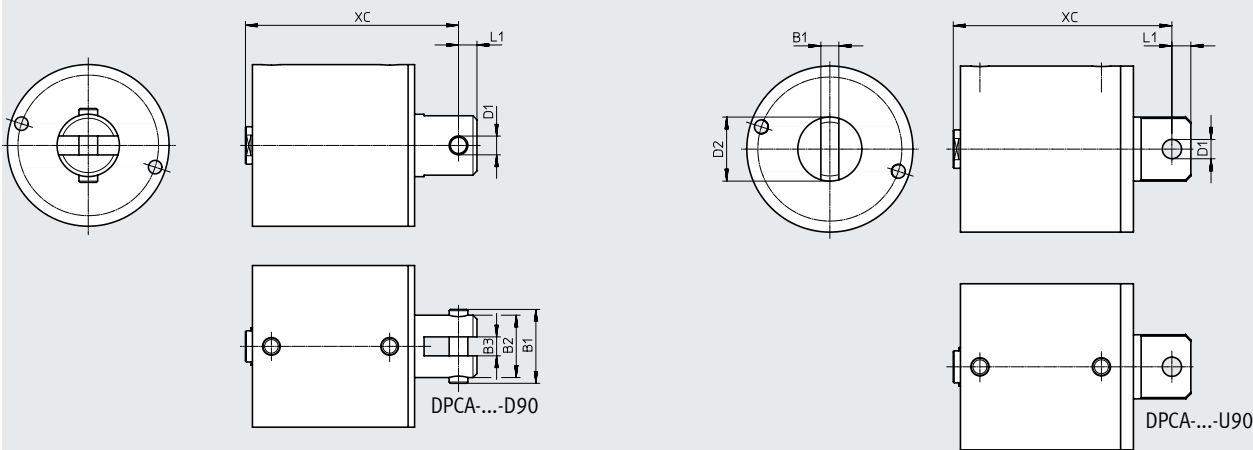
Download CAD data → [www.festo.com](http://www.festo.com)

[D] With swivel clevis

[U] With swiveling rod eye

[D90] With swivel clevis, rotated 90°

[U90] With swiveling rod eye, rotated 90°



Stroke [in]	B1		B2	B3	D1 ∅		D2 ∅	L1	XC			
	[D/D90]	[U/U90]			[D/D90]	[U/U90]			[S]	[L4-S]	[P]	[L4-P]
1/16	0.83	0.23	0.63	0.25	0.25	0.251	0.63	0.25	1.27	-	1.39	-
1/8	0.83	0.23	0.63	0.25	0.25	0.251	0.63	0.25	1.4	1.52	1.6	1.7
1/4	0.83	0.23	0.63	0.25	0.25	0.251	0.63	0.25	1.52	1.8	1.83	2.11
3/8	0.83	0.23	0.63	0.25	0.25	0.251	0.63	0.25	1.8	1.93	2.24	2.36
1/2	0.83	0.23	0.63	0.25	0.25	0.251	0.63	0.25	1.93	2.27	2.49	-
5/8	0.83	0.23	0.63	0.25	0.25	0.251	0.63	0.25	2.27	2.77	-	-
3/4	0.83	0.23	0.63	0.25	0.25	0.251	0.63	0.25	2.77	-	-	-
1	0.83	0.23	0.63	0.25	0.25	0.251	0.63	0.25	3.4	3.4	-	-
1 1/4	0.83	0.23	0.63	0.25	0.25	0.251	0.63	0.25	3.4	3.4	-	-
1 1/2	0.83	0.23	0.63	0.25	0.25	0.251	0.63	0.25	4.4	4.4	-	-
2	0.83	0.23	0.63	0.25	0.25	0.251	0.63	0.25	4.4	4.4	-	-

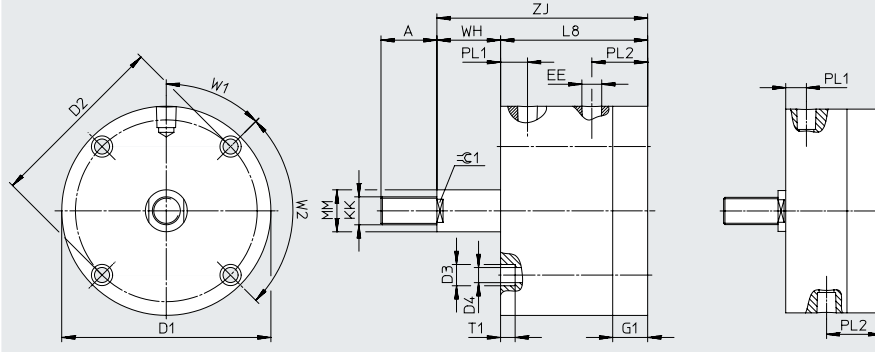
Datasheet

**Dimensions – piston diameter 1 1/8**

Download CAD data → [www.festo.com](http://www.festo.com)

[P] Single-acting, pulling (piston rod advanced by spring force)

DPCA-...-1/8"...1/2"  
DPCA-...-L4-...-1/16"...3/8"



Stroke [in]	A	D1 ∅	D2 ∅	D3 ∅	D4 ∅	EE		G1	KK	
							[N]			[N]
1/16	0.75	1.99	1.69	0.32	0.2	G1/8	1/8 NPT	0.38	M8	5/16-24 UNF-2A
1/8	0.75	1.99	1.69	0.32	0.2	G1/8	1/8 NPT	0.38	M8	5/16-24 UNF-2A
3/16	0.75	1.99	1.69	0.32	0.2	G1/8	1/8 NPT	0.38	M8	5/16-24 UNF-2A
1/4	0.75	1.99	1.69	0.32	0.2	G1/8	1/8 NPT	0.38	M8	5/16-24 UNF-2A
3/8	0.75	1.99	1.69	0.32	0.2	G1/8	1/8 NPT	0.38	M8	5/16-24 UNF-2A
1/2	0.75	1.99	1.69	0.32	0.2	G1/8	1/8 NPT	0.38	M8	5/16-24 UNF-2A
5/8	0.75	1.99	1.69	0.32	0.2	G1/8	1/8 NPT	0.38	M8	5/16-24 UNF-2A
3/4	0.75	1.99	1.69	0.32	0.2	G1/8	1/8 NPT	0.38	M8	5/16-24 UNF-2A
7/8	0.75	1.99	1.69	0.32	0.2	G1/8	1/8 NPT	0.38	M8	5/16-24 UNF-2A
1	0.75	1.99	1.69	0.32	0.2	G1/8	1/8 NPT	0.38	M8	5/16-24 UNF-2A
1 1/8	0.75	1.99	1.69	0.32	0.2	G1/8	1/8 NPT	0.38	M8	5/16-24 UNF-2A
1 1/4	0.75	1.99	1.69	0.32	0.2	G1/8	1/8 NPT	0.38	M8	5/16-24 UNF-2A
1 3/8	0.75	1.99	1.69	0.32	0.2	G1/8	1/8 NPT	0.38	M8	5/16-24 UNF-2A
1 1/2	0.75	1.99	1.69	0.32	0.2	G1/8	1/8 NPT	0.38	M8	5/16-24 UNF-2A

Stroke [in]	L8	MM ∅	PL1	PL2	T1	W1	W2	WH	ZJ	$\approx 1$
1/16	1.1275	0.5	0.3075	0.82	0.19	90°	-	0.2025	1.33	0.44
1/8	1.135	0.5	0.315	0.82	0.195	90°	-	0.265	1.4	0.44
3/16	1.1325	0.5	0.3125	0.82	0.1925	90°	-	0.3275	1.46	0.44
1/4	1.13	0.5	0.31	0.82	0.19	90°	-	0.39	1.52	0.44
3/8	1.445	0.5	0.535	0.91	0.195	90°	-	0.515	1.96	0.44
1/2	1.44	0.5	0.53	0.91	0.19	90°	-	0.64	2.08	0.44
5/8	2.135	0.5	0.385	0.75	0.195	90°	-	0.765	2.9	0.44
3/4	2.13	0.5	0.38	0.75	0.19	90°	-	0.89	3.02	0.44
7/8	2.385	0.5	0.385	0.75	0.195	90°	-	1.015	3.4	0.44
1	2.38	0.5	0.38	0.75	0.19	90°	-	1.14	3.52	0.44
1 1/8	3.065	0.5	0.565	0.75	0.195	90°	-	1.265	4.33	0.44
1 1/4	3.06	0.5	0.56	0.75	0.19	90°	-	1.39	4.45	0.44
1 3/8	3.505	0.5	0.755	0.75	0.195	90°	-	1.515	5.02	0.44
1 1/2	3.5	0.5	0.75	0.75	0.19	90°	-	1.64	5.14	0.44

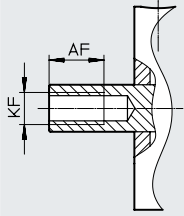
## Datasheet

## Dimensions – piston diameter 1 1/8

Download CAD data → [www.festo.com](http://www.festo.com)

[P] Single-acting, pulling (piston rod advanced by spring force)

[F] Internal thread



Stroke [in]	AF	KF		
		AF [L4]		[N]
1/16	–	0.38	M8	5/16-24 UNF-2B
1/8	0.38	0.38	M8	5/16-24 UNF-2B
3/16	0.38	–	M8	5/16-24 UNF-2B
1/4	0.38	–	M8	5/16-24 UNF-2B
3/8	–	0.38	M8	5/16-24 UNF-2B
1/2	0.38	–	M8	5/16-24 UNF-2B
5/8	–	0.63	M8	5/16-24 UNF-2B
3/4	0.63	–	M8	5/16-24 UNF-2B
7/8	–	0.63	M8	5/16-24 UNF-2B
1	0.63	–	M8	5/16-24 UNF-2B
1 1/8	–	0.63	M8	5/16-24 UNF-2B
1 1/4	0.63	–	M8	5/16-24 UNF-2B
1 3/8	–	0.63	M8	5/16-24 UNF-2B
1 1/2	0.63	–	M8	5/16-24 UNF-2B
2	–	–	M8	5/16-24 UNF-2B



Datasheet

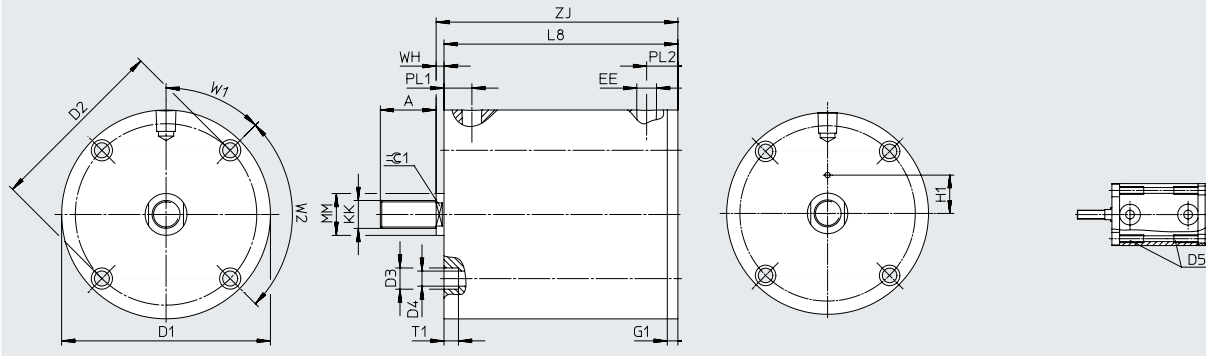
**Dimensions – piston diameter 1 1/8**

Download CAD data → [www.festo.com](http://www.festo.com)

[S] Single-acting, pushing (piston rod retracted by spring force)

DPCA-...-1/8" ...1/2"  
DPCA-...-L4-...-1/16" ...3/8"

DPCA-...-1 3/4" ...2"  
DPCA-...-L4-...-1 5/8" ...1 7/8"



Stroke [in]	A	D1 ø	D2 ø	D3 ø	D4 ø	D5	EE		G1	H1	KK	
								[N]				[N]
1/16	0.75	1.99	1.69	0.32	0.2	-	G1/8	1/8 NPT	0.13	0.4	M8	5/16-24 UNF-2A
1/8	0.75	1.99	1.69	0.32	0.2	-	G1/8	1/8 NPT	0.13	0.4	M8	5/16-24 UNF-2A
3/16	0.75	1.99	1.69	0.32	0.2	-	G1/8	1/8 NPT	0.13	0.4	M8	5/16-24 UNF-2A
1/4	0.75	1.99	1.69	0.32	0.2	-	G1/8	1/8 NPT	0.13	0.4	M8	5/16-24 UNF-2A
3/8	0.75	1.99	1.69	0.32	0.2	-	G1/8	1/8 NPT	0.13	0.4	M8	5/16-24 UNF-2A
1/2	0.75	1.99	1.69	0.32	0.2	-	G1/8	1/8 NPT	0.13	0.4	M8	5/16-24 UNF-2A
5/8	0.75	1.99	1.69	0.32	0.2	-	G1/8	1/8 NPT	0.13	-	M8	5/16-24 UNF-2A
3/4	0.75	1.99	1.69	0.32	0.2	-	G1/8	1/8 NPT	0.13	-	M8	5/16-24 UNF-2A
7/8	0.75	1.99	1.69	0.32	0.2	-	G1/8	1/8 NPT	0.13	-	M8	5/16-24 UNF-2A
1	0.75	1.99	1.69	0.32	0.2	-	G1/8	1/8 NPT	0.13	-	M8	5/16-24 UNF-2A
1 1/8	0.75	1.99	1.69	0.32	0.2	-	G1/8	1/8 NPT	0.13	-	M8	5/16-24 UNF-2A
1 1/4	0.75	1.99	1.69	0.32	0.2	-	G1/8	1/8 NPT	0.13	-	M8	5/16-24 UNF-2A
1 3/8	0.75	1.99	1.69	0.32	0.2	-	G1/8	1/8 NPT	0.13	-	M8	5/16-24 UNF-2A
1 1/2	0.75	1.99	1.69	0.32	0.2	-	G1/8	1/8 NPT	0.13	-	M8	5/16-24 UNF-2A
1 5/8	0.75	1.99	1.69	-	-	10-32x0.5	G1/8	1/8 NPT	0.13	-	M8	5/16-24 UNF-2A
1 3/4	0.75	1.99	1.69	-	-	10-32x0.5	G1/8	1/8 NPT	0.13	-	M8	5/16-24 UNF-2A
1 7/8	0.75	1.99	1.69	-	-	10-32x0.5	G1/8	1/8 NPT	0.13	-	M8	5/16-24 UNF-2A
2	0.75	1.99	1.69	-	-	10-32x0.5	G1/8	1/8 NPT	0.13	-	M8	5/16-24 UNF-2A

Stroke [in]	L8	MM ø	PL1	PL2	T1	W1	W2	WH	ZJ	≈C 1
1/16	0.88	0.5	-	0.57	0.19	90°	-	0.14	1.02	0.44
1/8	0.88	0.5	-	0.57	0.19	90°	-	0.14	1.02	0.44
3/16	0.88	0.5	-	0.57	0.19	90°	-	0.14	1.02	0.44
1/4	0.88	0.5	-	0.57	0.19	90°	-	0.14	1.02	0.44
3/8	1.19	0.5	-	0.66	0.19	90°	-	0.14	1.33	0.44
1/2	1.19	0.5	-	0.66	0.19	90°	-	0.14	1.33	0.44
5/8	1.88	0.5	0.38	0.5	0.19	90°	-	0.14	2.02	0.44
3/4	1.88	0.5	0.38	0.5	0.19	90°	-	0.14	2.02	0.44
7/8	2.13	0.5	0.38	0.5	0.19	90°	-	0.14	2.27	0.44
1	2.13	0.5	0.38	0.5	0.19	90°	-	0.14	2.27	0.44
1 1/8	2.81	0.5	0.56	0.5	0.19	90°	-	0.14	2.95	0.44
1 1/4	2.81	0.5	0.56	0.5	0.19	90°	-	0.14	2.95	0.44
1 3/8	3.25	0.5	0.75	0.5	0.19	90°	-	0.14	3.39	0.44
1 1/2	3.25	0.5	0.75	0.5	0.19	90°	-	0.14	3.39	0.44
1 5/8	3.85	0.5	0.38	0.5	-	90°	-	0.14	3.99	0.44
1 3/4	3.85	0.5	0.38	0.5	-	90°	-	0.14	3.99	0.44
1 7/8	4.85	0.5	0.38	0.5	-	90°	-	0.14	3.99	0.44
2	4.85	0.5	0.38	0.5	-	90°	-	0.14	3.99	0.44

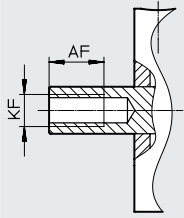
## Datasheet

## Dimensions – piston diameter 1 1/8

Download CAD data → [www.festo.com](http://www.festo.com)

[S] Single-acting, pushing (piston rod retracted by spring force)

[F] Internal thread



Stroke [in]	AF	AF		KF	
		[L4]			[N]
1/16	–	0.38		M8	5/16-24 UNF-2B
1/8	0.38	0.38		M8	5/16-24 UNF-2B
3/16	0.38	–		M8	5/16-24 UNF-2B
1/4	0.38	–		M8	5/16-24 UNF-2B
3/8	–	0.38		M8	5/16-24 UNF-2B
1/2	0.38	–		M8	5/16-24 UNF-2B
5/8	–	0.63		M8	5/16-24 UNF-2B
3/4	0.63	–		M8	5/16-24 UNF-2B
7/8	–	0.63		M8	5/16-24 UNF-2B
1	0.63	–		M8	5/16-24 UNF-2B
1 1/8	–	0.63		M8	5/16-24 UNF-2B
1 1/4	0.63	–		M8	5/16-24 UNF-2B
1 3/8	–	0.63		M8	5/16-24 UNF-2B
1 1/2	0.63	–		M8	5/16-24 UNF-2B
1 5/8	–	0.63		M8	5/16-24 UNF-2B
1 3/4	0.63	–		M8	5/16-24 UNF-2B
1 7/8	–	0.63		M8	5/16-24 UNF-2B
2	0.63	–		M8	5/16-24 UNF-2B

Datasheet

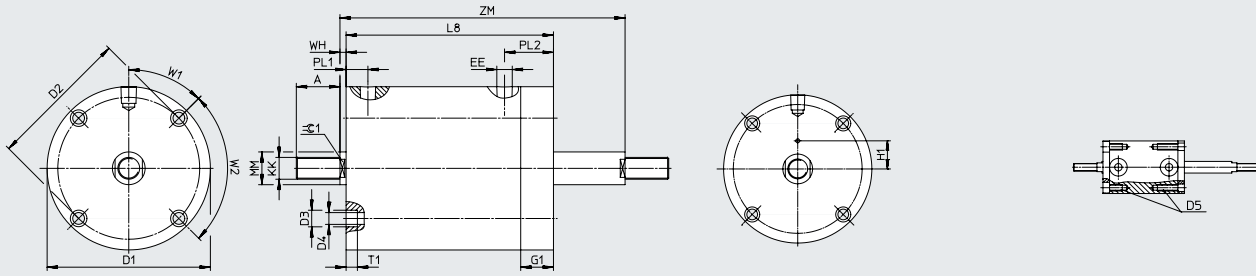
Dimensions – piston diameter 1 1/8

Download CAD data → [www.festo.com](http://www.festo.com)

[T] Through piston rod

DPCA-...-1/8" ...1/2"

DPCA-...-1 3/4" ...2"



Stroke [in]	A	D1 ø	D2 ø	D3 ø	D4 ø	D5	EE		G1	H1	KK	
								[N]				[N]
1/8	0.75	1.99	1.69	0.32	0.2	–	G1/8	1/8 NPT	0.47	0.4	M8	5/16-24 UNF-2A
3/16	0.75	1.99	1.69	0.32	0.2	–	G1/8	1/8 NPT	0.47	0.4	M8	5/16-24 UNF-2A
1/4	0.75	1.99	1.69	0.32	0.2	–	G1/8	1/8 NPT	0.47	0.4	M8	5/16-24 UNF-2A
1/2	0.75	1.99	1.69	0.32	0.2	–	G1/8	1/8 NPT	0.47	0.4	M8	5/16-24 UNF-2A
3/4	0.75	1.99	1.69	0.32	0.2	–	G1/8	1/8 NPT	0.47	–	M8	5/16-24 UNF-2A
1	0.75	1.99	1.69	0.32	0.2	–	G1/8	1/8 NPT	0.47	–	M8	5/16-24 UNF-2A
1 1/4	0.75	1.99	1.69	0.32	0.2	–	G1/8	1/8 NPT	0.47	–	M8	5/16-24 UNF-2A
1 1/2	0.75	1.99	1.69	0.32	0.2	–	G1/8	1/8 NPT	0.47	–	M8	5/16-24 UNF-2A
1 3/4	0.75	1.99	1.69	–	–	10-32x0.5	G1/8	1/8 NPT	0.47	–	M8	5/16-24 UNF-2A
2	0.75	1.99	1.69	–	–	10-32x0.5	G1/8	1/8 NPT	0.47	–	M8	5/16-24 UNF-2A

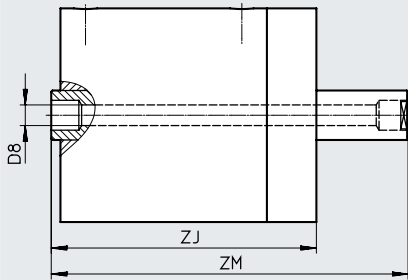
Stroke [in]	L8	MM ø	PL1	PL2	T1	W1	W2	WH	ZM	≈ $\ominus$ 1
1/8	1.22	0.5	–	0.91	0.18	90°	–	0.14	1.625	0.44
3/16	1.22	0.5	–	0.91	0.18	90°	–	0.14	1.6875	0.44
1/4	1.22	0.5	–	0.91	0.18	90°	–	0.14	1.75	0.44
1/2	1.53	0.5	–	1	0.19	90°	–	0.14	2.31	0.44
3/4	2.22	0.5	0.38	0.84	0.19	90°	–	0.14	3.25	0.44
1	2.47	0.5	0.38	0.84	0.19	90°	–	0.14	3.75	0.44
1 1/4	3.16	0.5	0.56	0.85	0.2	90°	–	0.14	4.69	0.44
1 1/2	3.6	0.5	0.75	0.85	0.2	90°	–	0.14	5.38	0.44
1 3/4	4.19	0.5	0.38	0.84	–	90°	–	0.14	6.22	0.44
2	4.19	0.5	0.38	0.84	–	90°	–	0.14	6.47	0.44

## Datasheet

## Dimensions – piston diameter 1 1/8

Download CAD data → [www.festo.com](http://www.festo.com)

[H] Through, hollow piston rod

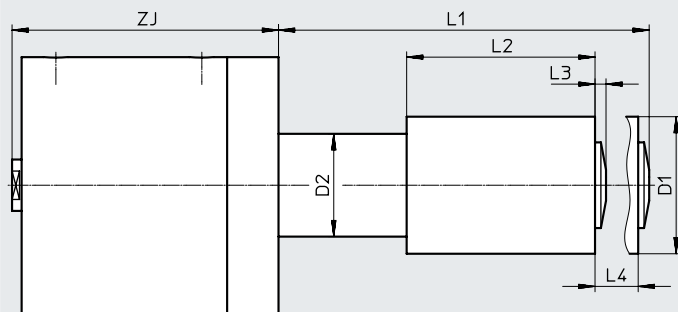


Stroke [in]	D8 ∅	ZJ	ZM
1/8	5/32	1.36	1.625
3/16	5/32	1.36	1.6875
1/4	5/32	1.36	1.75
1/2	5/32	1.67	2.31
3/4	5/32	2.11	3
1	5/32	2.36	3.5
1 1/4	5/32	2.61	4
1 1/2	5/32	2.86	4.5
1 3/4	5/32	3.3	5.19
2	5/32	3.74	5.88

## Dimensions – piston diameter 1 1/8

Download CAD data → [www.festo.com](http://www.festo.com)

[E] Stroke adjustment



Stroke [in]	D1 ∅	D2 ∅	L1	L2	L3	L4	ZJ
1/8	1.5	1.13	1.4	0.63	0.14	0.5	1.36
3/16	1.5	1.13	1.53	0.69	0.15	0.5	1.36
1/4	1.5	1.13	1.66	0.75	0.16	0.5	1.36
1/2	1.5	1.13	2.16	1	0.16	0.5	1.67
3/4	1.5	1.13	2.66	1.25	0.16	0.5	2.36
1	1.5	1.13	3.16	1.5	0.16	0.5	2.61
1 1/4	1.5	1.13	3.66	1.75	0.16	0.5	3.3
1 1/2	1.5	1.13	4.16	2	0.16	0.5	3.74
1 3/4	1.5	1.13	4.66	2.25	0.16	0.5	4.33
2	1.5	1.13	5.16	2.5	0.16	0.5	4.33

Datasheet

Dimensions – piston diameter 1 1/8

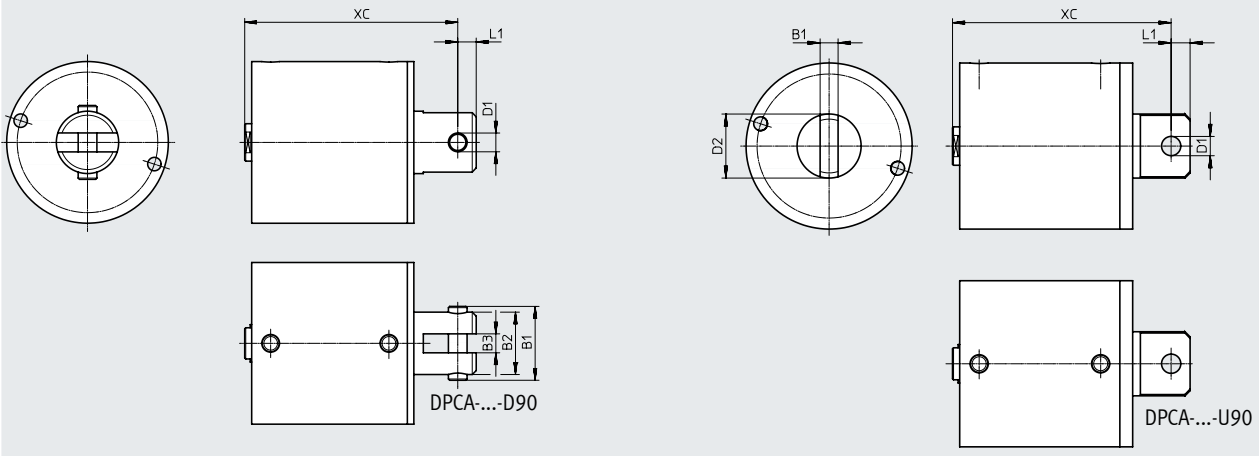
Download CAD data → [www.festo.com](http://www.festo.com)

[D] With swivel clevis

[U] With swiveling rod eye

[D90] With swivel clevis, rotated 90°

[U90] With swiveling rod eye, rotated 90°



Stroke [in]	B1		B2	B3	D1 ∅		D2 ∅	L1	XC			
	[D/D90]	[U/U90]			[D/D90]	[U/U90]			[S]	[L4-S]	[P]	[L4-P]
1/16	1.21	0.3	1	0.31	0.3125	0.3135	1	0.37	-	1.83	-	2.14
1/8	1.21	0.3	1	0.31	0.3125	0.3135	1	0.37	1.83	1.83	2.21	2.21
3/16	1.21	0.3	1	0.31	0.3125	0.3135	1	0.37	1.83	-	2.27	-
1/4	1.21	0.3	1	0.31	0.3125	0.3135	1	0.37	1.83	-	2.33	-
3/8	1.21	0.3	1	0.31	0.3125	0.3135	1	0.37	-	2.14	-	2.77
1/2	1.21	0.3	1	0.31	0.3125	0.3135	1	0.37	2.14	-	2.89	-
5/8	1.21	0.3	1	0.31	0.3125	0.3135	1	0.37	-	2.83	-	3.71
3/4	1.21	0.3	1	0.31	0.3125	0.3135	1	0.37	2.83	-	3.83	-
7/8	1.21	0.3	1	0.31	0.3125	0.3135	1	0.37	-	3.08	-	4.21
1	1.21	0.3	1	0.31	0.3125	0.3135	1	0.37	3.08	-	4.33	-
1 1/8	1.21	0.3	1	0.31	0.3125	0.3135	1	0.37	-	3.76	-	5.14
1 1/4	1.21	0.3	1	0.31	0.3125	0.3135	1	0.37	3.76	-	5.26	-
1 3/8	1.21	0.3	1	0.31	0.3125	0.3135	1	0.37	-	4.2	-	5.83
1 1/2	1.21	0.3	1	0.31	0.3125	0.3135	1	0.37	4.2	-	5.95	-
1 5/8	1.21	0.3	1	0.31	0.3125	0.3135	1	0.37	-	4.8	-	-
1 3/4	1.21	0.3	1	0.31	0.3125	0.3135	1	0.37	4.8	-	-	-
1 7/8	1.21	0.3	1	0.31	0.3125	0.3135	1	0.37	-	4.8	-	-
2	1.21	0.3	1	0.31	0.3125	0.3135	1	0.37	4.8	-	-	-

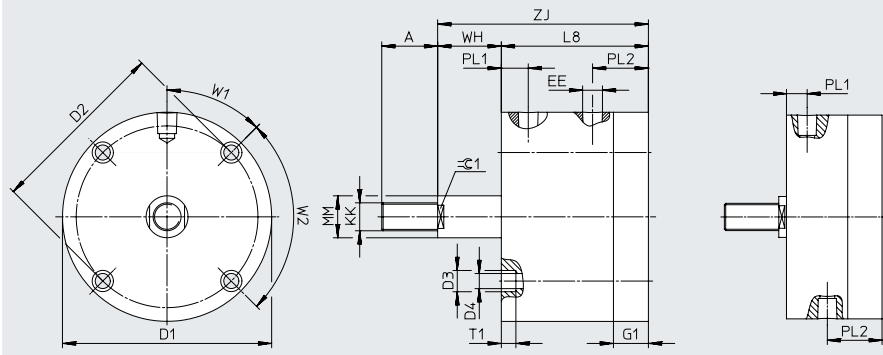
Datasheet

**Dimensions – piston diameter 1 5/8**

Download CAD data → [www.festo.com](http://www.festo.com)

[P] Single-acting, pulling (piston rod advanced by spring force)

DPCA-...-1/8" ...1/4"



Stroke [in]	A	D1 ø	D2 ø	D3 ø	D4 ø	EE		G1		KK	
						[N]	[L4]	[N]	[N]		
1/8	0.88	2.74	2.38	0.32	0.2	G1/8	1/8 NPT	0.5	-	M10	3/8-24 UNF-2A
1/4	0.88	2.74	2.38	0.32	0.2	G1/8	1/8 NPT	0.5	0.5	M10	3/8-24 UNF-2A
1/2	0.88	2.74	2.38	0.32	0.2	G1/8	1/8 NPT	0.5	0.5	M10	3/8-24 UNF-2A
3/4	0.88	2.74	2.38	0.32	0.2	G1/8	1/8 NPT	0.5	0.63	M10	3/8-24 UNF-2A
1	0.88	2.74	2.38	0.32	0.2	G1/8	1/8 NPT	0.63	-	M10	3/8-24 UNF-2A

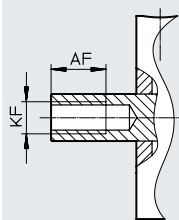
Stroke [in]	L8		MM ø	PL1		PL2		T1		W1	W2	WH	ZJ		≈G 1
	[L4]	[L4]		[L4]	[L4]	[L4]	[L4]	[L4]	[L4]				[L4]		
1/8	1.385	-	0.62	0.505	-	0.88	-	0.195	-	90°	-	0.265	1.65	-	0.5
1/4	1.5	2	0.62	0.5	0.38	1	0.87	0.18	0.18	90°	-	0.39	1.89	2.39	0.5
1/2	2	2.25	0.62	0.38	0.38	0.87	0.82	0.18	0.18	90°	-	0.64	2.64	2.89	0.5
3/4	2.25	2.69	0.62	0.38	0.38	0.87	1	0.18	0.19	90°	-	0.89	3.14	3.58	0.5
1	2.69	-	0.62	0.38	-	1	-	0.19	-	90°	-	1.14	3.83	-	0.5

**Dimensions – piston diameter 1 5/8**

Download CAD data → [www.festo.com](http://www.festo.com)

[P] Single-acting, pulling (piston rod advanced by spring force)

[F] Internal thread



Stroke [in]	AF	AF [L4]	KF	
			[N]	[N]
1/8	0.38	-	M10	3/8-24 UNF-2B
1/4	0.44	0.63	M10	3/8-24 UNF-2B
3/8	-	-	M10	3/8-24 UNF-2B
1/2	0.63	0.63	M10	3/8-24 UNF-2B
3/4	0.63	0.75	M10	3/8-24 UNF-2B
1	0.75	-	M10	3/8-24 UNF-2B

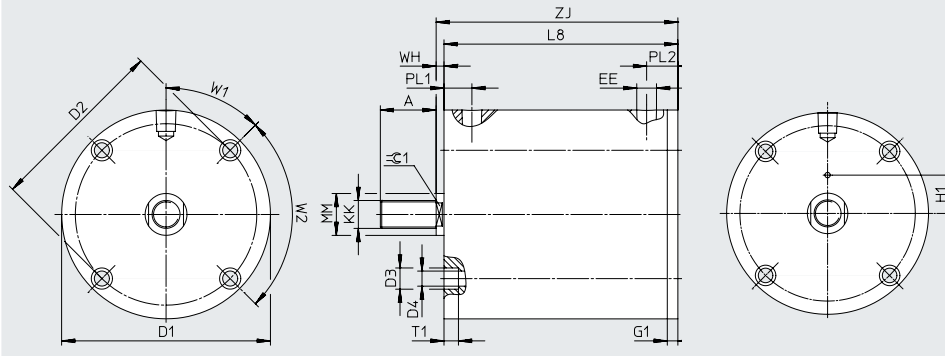
**Datasheet**

**Dimensions – piston diameter 1 5/8**

Download CAD data → [www.festo.com](http://www.festo.com)

[S] Single-acting, pushing (piston rod retracted by spring force)

DPCA-...-1/8" ...1"  
DPCA-...-L4-...-1/4" ...3/4"



Stroke [in]	A	D1 ø	D2 ø	D3 ø	D4 ø	EE		G1	H1		KK	
							[N]			[L4]		[N]
1/8	0.88	2.74	2.38	0.32	0.2	G1/8	1/8 NPT	0.13	0.66	–	M10	3/8-24 UNF-2A
1/4	0.88	2.74	2.38	0.32	0.2	G1/8	1/8 NPT	0.13	0.66	0.66	M10	3/8-24 UNF-2A
1/2	0.88	2.74	2.38	0.32	0.2	G1/8	1/8 NPT	0.13	0.66	0.66	M10	3/8-24 UNF-2A
3/4	0.88	2.74	2.38	0.32	0.2	G1/8	1/8 NPT	0.13	0.66	0.66	M10	3/8-24 UNF-2A
1	0.88	2.74	2.38	0.32	0.2	G1/8	1/8 NPT	0.13	0.66	–	M10	3/8-24 UNF-2A
1 1/4	0.88	2.74	2.38	0.32	0.2	G1/8	1/8 NPT	0.13	–	–	M10	3/8-24 UNF-2A
1 1/2	0.88	2.74	2.38	0.32	0.2	G1/8	1/8 NPT	0.13	–	–	M10	3/8-24 UNF-2A

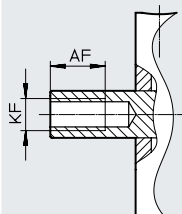
Stroke [in]	L8		MM ø	PL1	PL2	T1	W1	W2	WH	ZJ		≈ 1
		[L4]									[L4]	
1/8	1	–	0.62	–	0.5	0.19	90°	–	0.14	1.14	–	0.5
1/4	1.13	1.63	0.62	–	0.5	0.19	90°	–	0.14	1.27	1.77	0.5
1/2	1.68	1.88	0.62	–	0.5	0.19	90°	–	0.14	1.77	2.02	0.5
3/4	1.88	2.19	0.62	–	0.5	0.19	90°	–	0.14	2.02	2.33	0.5
1	2.19	–	0.62	–	0.5	0.19	90°	–	0.14	2.33	–	0.5
1 1/4	–	4.19	0.62	0.38	0.5	0.19	90°	–	0.14	–	4.33	0.5
1 1/2	4.19	–	0.62	0.38	0.5	0.19	90°	–	0.14	4.33	–	0.5

**Dimensions – piston diameter 1 5/8**

Download CAD data → [www.festo.com](http://www.festo.com)

[S] Single-acting, pushing (piston rod retracted by spring force)

[F] Internal thread



Stroke [in]	AF	AF [L4]	KF	
				[N]
1/8	0.38	–	M10	3/8-24 UNF-2B
1/4	0.44	0.63	M10	3/8-24 UNF-2B
1/2	0.63	0.63	M10	3/8-24 UNF-2B
3/4	0.63	0.75	M10	3/8-24 UNF-2B
1	0.75	–	M10	3/8-24 UNF-2B
1 1/4	–	0.75	M10	3/8-24 UNF-2B
1 1/2	0.75	–	M10	3/8-24 UNF-2B

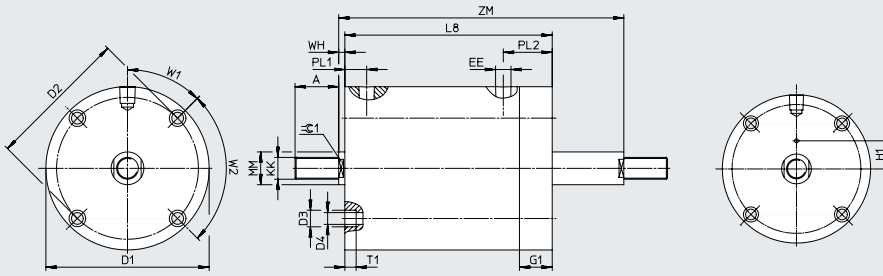
Datasheet

Dimensions – piston diameter 1 5/8

Download CAD data → [www.festo.com](http://www.festo.com)

[T] Through piston rod

DPCA-...-1/8" ...1"



Stroke [in]	A	D1 ø	D2 ø	D3 ø	D4 ø	EE		G1	H1	KK	
							[N]				[N]
1/8	0.88	2.74	2.38	0.32	0.2	G1/8	1/8 NPT	0.6	0.66	M10	3/8-24 UNF-2A
1/4	0.88	2.74	2.38	0.32	0.2	G1/8	1/8 NPT	0.6	0.66	M10	3/8-24 UNF-2A
1/2	0.88	2.74	2.38	0.32	0.2	G1/8	1/8 NPT	0.6	0.66	M10	3/8-24 UNF-2A
3/4	0.88	2.74	2.38	0.32	0.2	G1/8	1/8 NPT	0.6	0.66	M10	3/8-24 UNF-2A
1	0.88	2.74	2.38	0.32	0.2	G1/8	1/8 NPT	0.6	0.66	M10	3/8-24 UNF-2A
1 1/2	0.88	2.74	2.38	0.32	0.2	G1/8	1/8 NPT	0.6	-	M10	3/8-24 UNF-2A

Stroke [in]	L8	MM ø	PL1	PL2	T1	W1	W2	WH	ZM	≈G 1
1/8	1.47	0.62	-	0.97	0.19	90°	-	0.14	1.875	0.5
1/4	1.6	0.62	-	0.97	0.19	90°	-	0.14	2.13	0.5
1/2	2.1	0.62	-	0.97	0.19	90°	-	0.14	2.88	0.5
3/4	2.35	0.62	-	0.97	0.19	90°	-	0.14	3.38	0.5
1	2.66	0.62	-	0.97	0.19	90°	-	0.14	3.94	0.5
1 1/2	4.66	0.62	0.38	0.97	0.19	90°	-	0.14	6.44	0.5

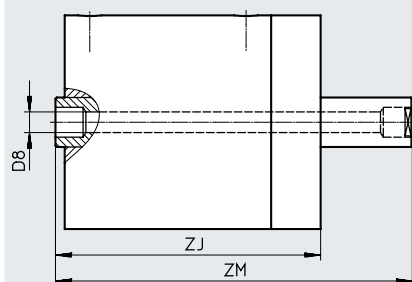


## Datasheet

## Dimensions – piston diameter 1 5/8

Download CAD data → [www.festo.com](http://www.festo.com)

[H] Through, hollow piston rod

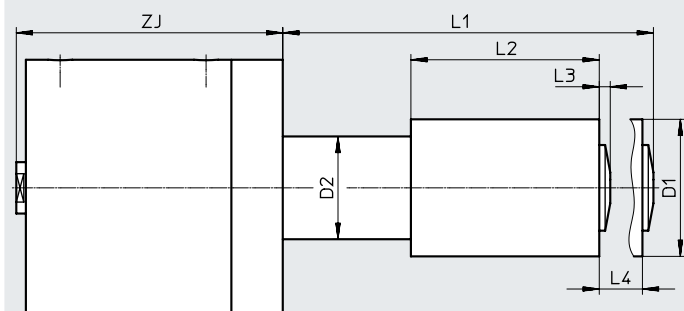


Stroke [in]	D8 ∅	ZJ	ZM
1/8	1/4	1.61	1.875
1/4	1/4	1.74	2.13
1/2	1/4	2.24	2.88
3/4	1/4	2.49	3.38
1	1/4	2.8	3.94
1 1/2	1/4	3.3	4.94

## Dimensions – piston diameter 1 5/8

Download CAD data → [www.festo.com](http://www.festo.com)

[E] Stroke adjustment



Stroke [in]	D1 ∅	D2 ∅	L1	L2	L3	L4	ZJ
1/8	2	1.5	1.4	0.63	0.14	0.5	1.61
1/4	2	1.5	1.66	0.75	0.16	0.5	1.74
1/2	2	1.5	2.16	1	0.16	0.5	2.24
3/4	2	1.5	2.66	1.25	0.16	0.5	2.49
1	2	1.5	3.16	1.5	0.16	0.5	2.8
1 1/2	2	1.5	4.16	2	0.16	0.5	4.8

Datasheet

Dimensions – piston diameter 1 5/8

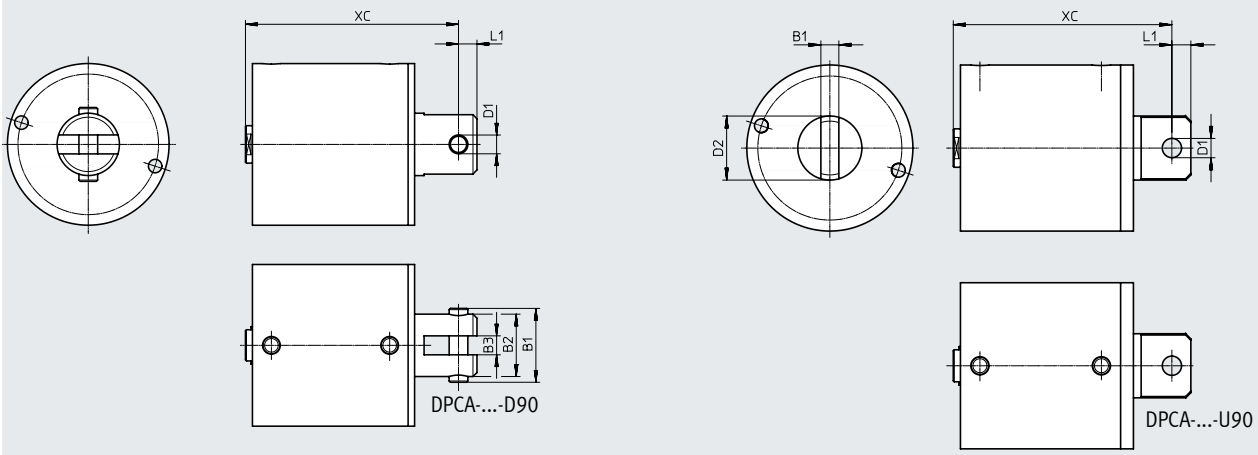
Download CAD data → [www.festo.com](http://www.festo.com)

[D] With swivel clevis

[D90] With swivel clevis, rotated 90°

[U] With swiveling rod eye

[U90] With swiveling rod eye, rotated 90°



Stroke [in]	B1		B2	B3	D1 ∅		D2 ∅	L1	XC			
	[D/D90]	[U/U90]			[D/D90]	[U/U90]			[S]	[L4-S]	[P]	[L4-P]
1/8	1.48	0.35	1.25	0.38	0.375	0.376	1.25	0.37	2.02	–	2.59	–
1/4	1.48	0.35	1.25	0.38	0.375	0.376	1.25	0.37	2.15	2.65	2.83	3.33
1/2	1.48	0.35	1.25	0.38	0.375	0.376	1.25	0.37	2.65	2.9	3.58	3.83
3/4	1.48	0.35	1.25	0.38	0.375	0.376	1.25	0.37	2.9	3.21	4.08	4.39
1	1.48	0.35	1.25	0.38	0.375	0.376	1.25	0.37	3.21	–	4.64	–
1 1/4	1.48	0.35	1.25	0.38	0.375	0.376	1.25	0.37	–	5.21	–	–
1 1/2	1.48	0.35	1.25	0.38	0.375	0.376	1.25	0.37	5.21	–	–	–

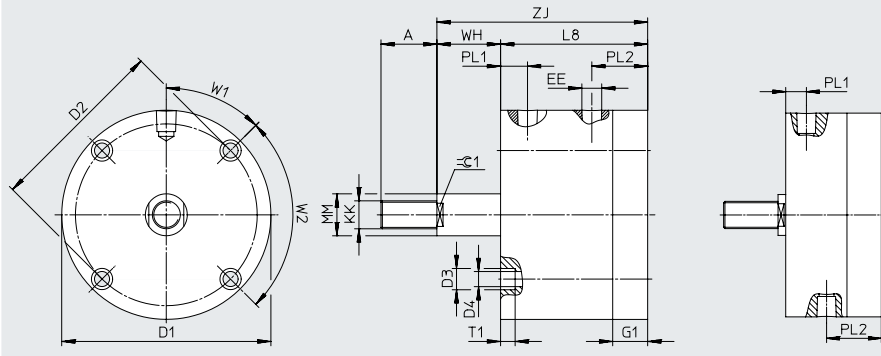
Datasheet

**Dimensions – piston diameter 2**

Download CAD data → [www.festo.com](http://www.festo.com)

[P] Single-acting, pulling (piston rod advanced by spring force)

DPCA-...-1/8"...3/8"  
DPCA-...-L4-...-1/8"



Stroke [in]	A	D1 ø	D2 ø	D3 ø	D4 ø	EE		G1		KK	
							[N]		[L4]		[N]
1/8	1	3.24	2.81	0.38	0.27	G1/8	1/8 NPT	0.5	0.5	M12	1/2-20 UNF-2A
1/4	1	3.24	2.81	0.38	0.27	G1/8	1/8 NPT	0.5	0.5	M12	1/2-20 UNF-2A
3/8	1	3.24	2.81	0.38	0.27	G1/8	1/8 NPT	0.5	-	M12	1/2-20 UNF-2A
1/2	1	3.24	2.81	0.38	0.27	G1/8	1/8 NPT	0.5	0.5	M12	1/2-20 UNF-2A
3/4	1	3.24	2.81	0.38	0.27	G1/8	1/8 NPT	0.5	0.63	M12	1/2-20 UNF-2A
1	1	3.24	2.81	0.38	0.27	G1/8	1/8 NPT	0.63	-	M12	1/2-20 UNF-2A

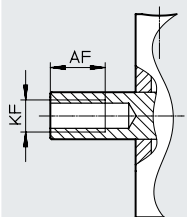
Stroke [in]	L8		MM ø	PL1		PL2		T1		W1	W2	WH	ZJ		1.25
		[L4]			[L4]		[L4]		[L4]					[L4]	
1/8	1.445	1.695	0.75	0.385	0.385	0.88	0.88	0.265	0.265	72°	-	0.265	1.71	1.96	0.63
1/4	1.57	1.88	0.75	0.38	0.38	0.88	0.94	0.27	0.26	72°	-	0.39	1.96	2.27	0.63
3/8	1.695	-	0.75	0.385	-	0.88	-	0.265	-	72°	-	0.515	2.21	-	0.63
1/2	1.88	2.25	0.75	0.38	0.38	0.88	1.25	0.26	0.26	72°	-	0.64	2.52	2.89	0.63
3/4	2.25	2.72	0.75	0.38	0.36	0.87	1.34	0.26	0.23	72°	-	0.89	3.14	3.61	0.63
1	2.75	-	0.75	0.38	-	1	-	0.26	-	72°	-	1.14	3.89	-	0.63

**Dimensions – piston diameter 2**

Download CAD data → [www.festo.com](http://www.festo.com)

[P] Single-acting, pulling (piston rod advanced by spring force)

[F] Internal thread



Stroke [in]	AF		KF	
		[L4]		[N]
1/16	-	-	M12	1/2-20 UNF-2B
1/8	0.4	0.63	M12	1/2-20 UNF-2B
1/4	0.5	0.63	M12	1/2-20 UNF-2B
3/8	0.63	-	M12	1/2-20 UNF-2B
1/2	0.63	0.75	M12	1/2-20 UNF-2B
5/8	-	-	M12	1/2-20 UNF-2B
3/4	0.75	0.88	M12	1/2-20 UNF-2B
1	0.88	-	M12	1/2-20 UNF-2B

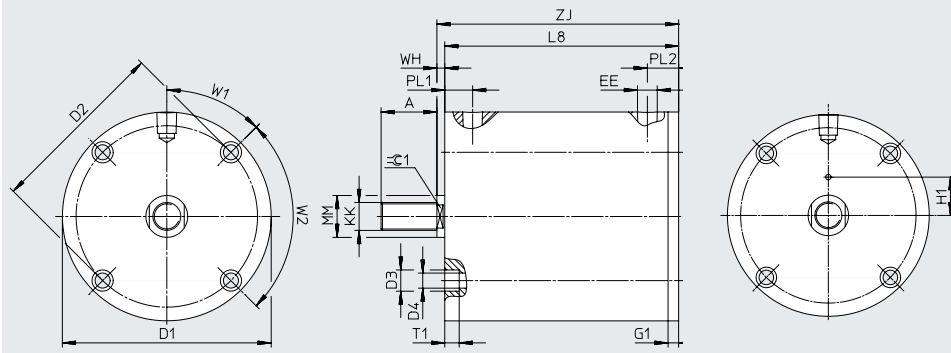
Datasheet

**Dimensions – piston diameter 2**

Download CAD data → [www.festo.com](http://www.festo.com)

[S] Single-acting, pushing (piston rod retracted by spring force)

DPCA-...-1/8" ...1"  
DPCA-...-L4-...-1/8" ...3/4"



Stroke [in]	A	D1 ø	D2 ø	D3 ø	D4 ø	EE		G1	H1		KK	
							[N]			[L4]		[N]
1/8 ... 1/4	1	3.24	2.81	0.38	0.27	G1/8	1/8 NPT	0.13	0.71	0.71	M12	1/2-20 UNF-2A
3/8	1	3.24	2.81	0.38	0.27	G1/8	1/8 NPT	0.13	0.71	-	M12	1/2-20 UNF-2A
1/2 ... 3/4	1	3.24	2.81	0.38	0.27	G1/8	1/8 NPT	0.13	0.71	0.71	M12	1/2-20 UNF-2A
1	1	3.24	2.81	0.38	0.27	G1/8	1/8 NPT	0.13	0.71	-	M12	1/2-20 UNF-2A
1 1/4 ... 1 1/2	1	3.24	2.81	0.38	0.27	G1/8	1/8 NPT	0.13	-	-	M12	1/2-20 UNF-2A

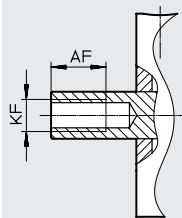
Stroke [in]	L8		MM ø	PL1	PL2	T1	W1	W2	WH	ZJ		≈ 1
		[L4]									[L4]	
1/8	1.06	1.31	0.75	-	0.5	0.26	72°	-	0.14	1.2	1.45	0.63
1/4	1.19	1.5	0.75	-	0.5	0.26	72°	-	0.14	1.33	1.64	0.63
3/8	1.31	-	0.75	-	0.5	0.26	72°	-	0.14	1.45	-	0.63
1/2	1.5	1.88	0.75	-	0.5	0.26	72°	-	0.14	1.64	2.02	0.63
3/4	1.88	2.25	0.75	-	0.5	0.26	72°	-	0.14	2.02	2.39	0.63
1	2.25	-	0.75	-	0.5	0.26	72°	-	0.14	2.39	-	0.63
1 1/4	-	4.25	0.75	0.38	0.5	0.26	72°	-	0.14	-	4.39	0.63
1 1/2	4.25	-	0.75	0.38	0.5	0.26	72°	-	0.14	4.39	-	0.63

**Dimensions – piston diameter 2**

Download CAD data → [www.festo.com](http://www.festo.com)

[S] Single-acting, pushing (piston rod retracted by spring force)

[F] Internal thread



Stroke [in]	AF		KF	
		[L4]		[N]
1/8	0.4	0.63	M12	1/2-20 UNF-2B
1/4	0.5	0.63	M12	1/2-20 UNF-2B
3/8	0.63	-	M12	1/2-20 UNF-2B
1/2	0.63	0.75	M12	1/2-20 UNF-2B
3/4	0.75	0.88	M12	1/2-20 UNF-2B
1	0.88	-	M12	1/2-20 UNF-2B
1 1/4	-	0.88	M12	1/2-20 UNF-2B
1 1/2	0.88	-	M12	1/2-20 UNF-2B

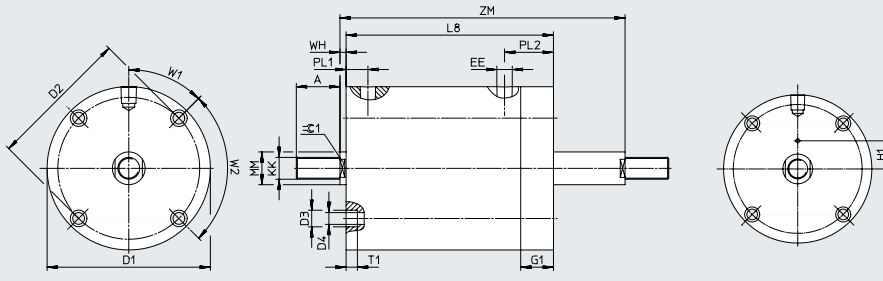
Datasheet

**Dimensions – piston diameter 2**

Download CAD data → [www.festo.com](http://www.festo.com)

[T] Through piston rod

DPCA-...-1/8" ...1"



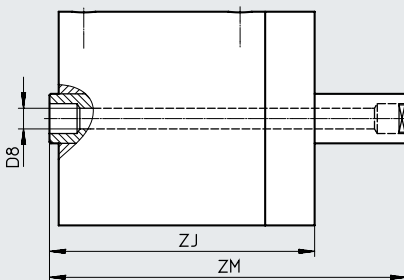
Stroke [in]	A	D1 ∅	D2 ∅	D3 ∅	D4 ∅	EE		G1	H1	KK	
							[N]				[N]
1/8	1	3.24	2.81	0.38	0.27	G1/8	1/8 NPT	0.75	0.71	M12	1/2-20 UNF-2A
1/4	1	3.24	2.81	0.38	0.27	G1/8	1/8 NPT	0.75	0.71	M12	1/2-20 UNF-2A
3/8	1	3.24	2.81	0.38	0.27	G1/8	1/8 NPT	0.75	0.71	M12	1/2-20 UNF-2A
1/2	1	3.24	2.81	0.38	0.27	G1/8	1/8 NPT	0.75	0.71	M12	1/2-20 UNF-2A
3/4	1	3.24	2.81	0.38	0.27	G1/8	1/8 NPT	0.75	0.71	M12	1/2-20 UNF-2A
1	1	3.24	2.81	0.38	0.27	G1/8	1/8 NPT	0.75	0.71	M12	1/2-20 UNF-2A
1 1/2	1	3.24	2.81	0.38	0.27	G1/8	1/8 NPT	0.75	-	M12	1/2-20 UNF-2A

Stroke [in]	L8	MM ∅	PL1	PL2	T1	W1	W2	WH	ZM	≈C 1
1/8	1.69	0.75	-	1.13	0.25	72°	-	0.14	2.095	0.63
1/4	1.81	0.75	-	1.12	0.25	72°	-	0.14	2.34	0.63
3/8	1.94	0.75	-	1.13	0.25	72°	-	0.14	2.595	0.63
1/2	2.13	0.75	-	1.13	0.24	72°	-	0.14	2.91	0.63
3/4	2.5	0.75	-	1.12	0.25	72°	-	0.14	3.53	0.63
1	2.88	0.75	-	1.13	0.25	72°	-	0.14	4.16	0.63
1 1/2	4.88	0.75	0.38	1.13	0.25	72°	-	0.14	6.66	0.63

**Dimensions – piston diameter 2**

Download CAD data → [www.festo.com](http://www.festo.com)

[H] Through, hollow piston rod



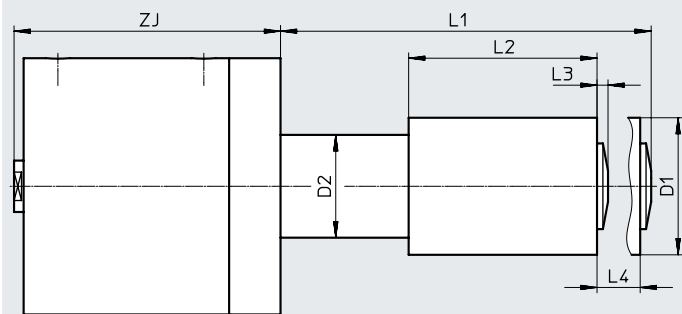
Stroke [in]	D8 ∅	ZJ	ZM
1/8	5/16	1.83	1.345
1/4	5/16	1.95	1.59
3/8	5/16	2.08	1.845
1/2	5/16	2.27	2.16
3/4	5/16	2.64	2.78
1	5/16	3.02	3.41
1 1/2	5/16	3.52	4.41

Datasheet

**Dimensions – piston diameter 2**

Download CAD data → [www.festo.com](http://www.festo.com)

[E] Stroke adjustment



Stroke [in]	D1 ø	D2 ø	L1	L2	L3	L4	ZJ
1/8	2	1.5	1.67	0.88	0.16	0.63	1.83
1/4	2	1.5	1.91	1	0.16	0.63	1.95
3/8	2	1.5	2.17	1.13	0.16	0.63	2.08
1/2	2	1.5	2.41	1.25	0.16	0.63	2.27
3/4	2	1.5	2.91	1.5	0.16	0.63	2.64
1	2	1.5	3.41	1.75	0.16	0.63	3.02
1 1/2	2	1.5	4.41	2.25	0.16	0.63	5.02

**Dimensions – piston diameter 2**

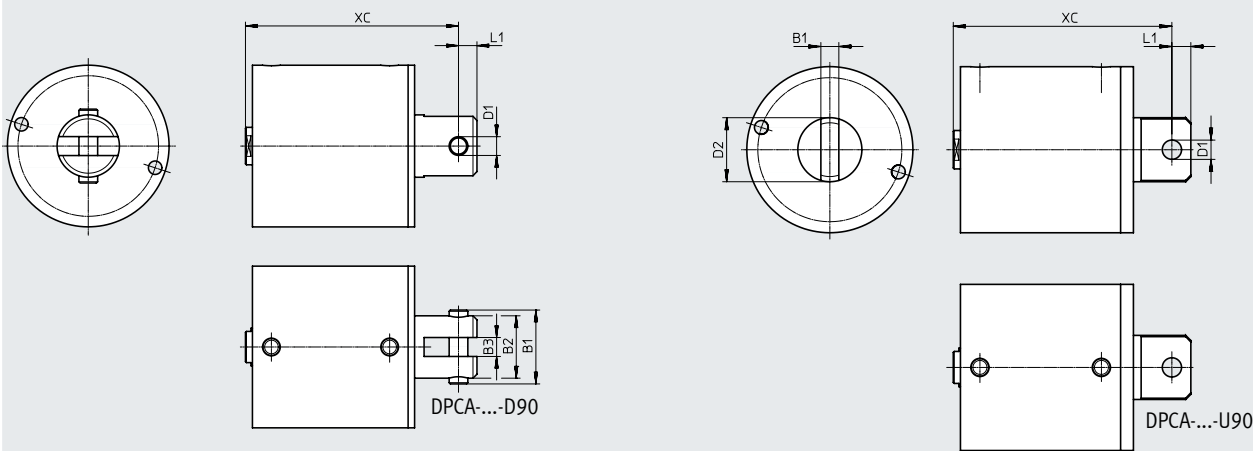
Download CAD data → [www.festo.com](http://www.festo.com)

[D] With swivel clevis

[D90] With swivel clevis, rotated 90°

[U] With swiveling rod eye

[U90] With swiveling rod eye, rotated 90°



Stroke [in]	B1		B2	B3	D1 ø		D2 ø	L1	XC			
	[D/D90]	[U/U90]			[D/D90]	[U/U90]			[S]	[L4-S]	[P]	[L4-P]
1/8	1.48	0.35	1.25	0.38	0.375	0.376	1.25	0.37	2.08	2.33	2.65	2.9
1/4	1.48	0.35	1.25	0.38	0.375	0.376	1.25	0.37	2.21	2.52	2.9	3.21
3/8	1.48	0.35	1.25	0.38	0.375	0.376	1.25	0.37	2.33	-	3.15	-
1/2	1.48	0.35	1.25	0.38	0.375	0.376	1.25	0.37	2.52	2.9	3.46	3.83
3/4	1.48	0.35	1.25	0.38	0.375	0.376	1.25	0.37	2.9	3.27	4.08	4.42
1	1.48	0.35	1.25	0.38	0.375	0.376	1.25	0.37	3.27	-	4.7	-
1 1/4	1.48	0.35	1.25	0.38	0.375	0.376	1.25	0.37	-	5.27	-	-
1 1/2	1.48	0.35	1.25	0.38	0.375	0.376	1.25	0.37	5.27	-	-	-

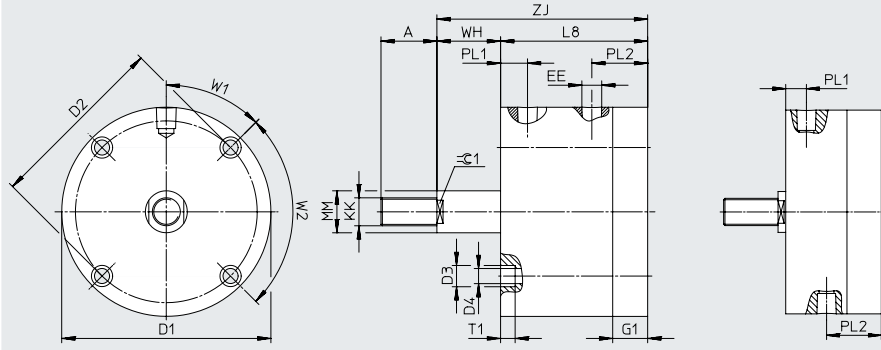
Datasheet

Dimensions – piston diameter 2 1/2

Download CAD data → [www.festo.com](http://www.festo.com)

[P] Single-acting, pulling (piston rod advanced by spring force)

DPCA-...-1/8" ...1/4"



Stroke [in]	A	D1 ∅	D2 ∅	D3 ∅	D4 ∅	EE		G1	KK	
							[N]			[N]
1/8	1	3.74	3.25	0.38	0.27	G1/8	1/8 NPT	0.63	M12	1/2-20 UNF-2A
1/4	1	3.74	3.25	0.38	0.27	G1/8	1/8 NPT	0.63	M12	1/2-20 UNF-2A
1/2	1	3.74	3.25	0.38	0.27	G1/8	1/8 NPT	0.63	M12	1/2-20 UNF-2A
3/4	1	3.74	3.25	0.38	0.27	G1/8	1/8 NPT	0.63	M12	1/2-20 UNF-2A
1	1	3.74	3.25	0.38	0.27	G1/8	1/8 NPT	0.63	M12	1/2-20 UNF-2A

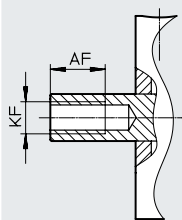
Stroke	L8		MM ∅	PL1		PL2		T1		W1	W2	WH	ZJ		⌀ 1
		[L4]			[L4]		[L4]		[L4]					[L4]	
1/8	1.755	-	0.75	0.385	-	1	-	0.265	-	45°	90°	0.265	2.02	-	0.63
1/4	1.88	2.19	0.75	0.38	0.38	1	1.06	0.26	0.32	45°	90°	0.39	2.27	2.58	0.63
1/2	2.13	2.5	0.75	0.38	0.5	1	1	0.26	0.26	45°	90°	0.64	2.77	3.14	0.63
3/4	2.5	2.63	0.75	0.51	0.5	1	1	0.26	0.26	45°	90°	0.89	3.39	3.52	0.63
1	2.63	-	0.75	0.5	-	1	-	0.26	-	45°	90°	1.14	3.77	-	0.63

Dimensions – piston diameter 2 1/2

Download CAD data → [www.festo.com](http://www.festo.com)

[P] Single-acting, pulling (piston rod advanced by spring force)

[F] Internal thread



Stroke [in]	AF	AF [L4]	KF	
				[N]
1/8	0.56	-	M12	1/2-20 UNF-2B
1/4	0.63	0.63	M12	1/2-20 UNF-2B
1/2	0.63	0.88	M12	1/2-20 UNF-2B
3/4	0.88	0.88	M12	1/2-20 UNF-2B
1	0.88	-	M12	1/2-20 UNF-2B

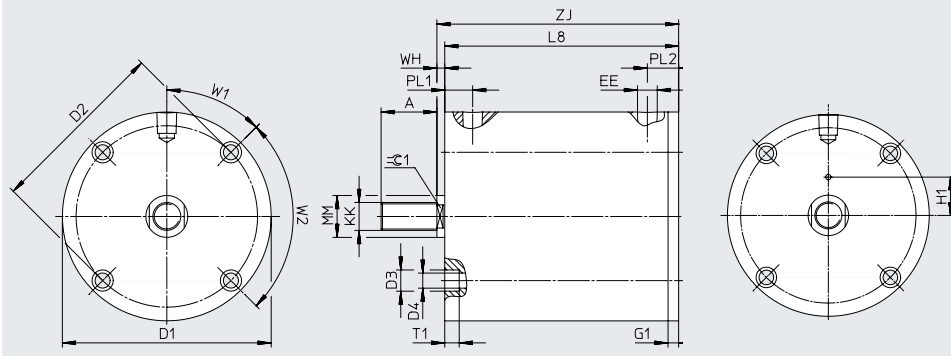
Datasheet

**Dimensions – piston diameter 2 1/2**

Download CAD data → [www.festo.com](http://www.festo.com)

[S] Single-acting, pushing (piston rod retracted by spring force)

DPCA-...-1/8" ...1"  
DPCA-...-L4-...-1/4" ...3/4"



Stroke [in]	A	D1 ø	D2 ø	D3 ø	D4 ø	EE		G1	H1		KK	
							[N]			[L4]		[N]
1/8	1	3.74	3.25	0.38	0.27	G1/8	1/8 NPT	0.19	0.71	-	M12	1/2-20 UNF-2A
1/4	1	3.74	3.25	0.38	0.27	G1/8	1/8 NPT	0.19	0.71	0.71	M12	1/2-20 UNF-2A
1/2	1	3.74	3.25	0.38	0.27	G1/8	1/8 NPT	0.19	0.71	0.71	M12	1/2-20 UNF-2A
3/4	1	3.74	3.25	0.38	0.27	G1/8	1/8 NPT	0.19	0.71	0.71	M12	1/2-20 UNF-2A
1	1	3.74	3.25	0.38	0.27	G1/8	1/8 NPT	0.19	0.71	-	M12	1/2-20 UNF-2A
1 1/4	1	3.74	3.25	0.38	0.27	G1/8	1/8 NPT	0.19	-	-	M12	1/2-20 UNF-2A
1 1/2	1	3.74	3.25	0.38	0.27	G1/8	1/8 NPT	0.19	-	-	M12	1/2-20 UNF-2A

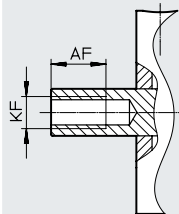
Stroke [in]	L8		MM ø	PL1	PL2	T1		W1	W2	WH	ZJ		≈ 1
		[L4]					[L4]					[L4]	
1/8	1.31	-	0.75	-	0.56	0.26	-	45°	90°	0.14	1.45	-	0.63
1/4	1.44	1.69	0.75	-	0.56	0.25	0.26	45°	90°	0.14	1.58	1.83	0.63
1/2	1.69	2.06	0.75	-	0.56	0.26	0.26	45°	90°	0.14	1.83	2.2	0.63
3/4	2.06	2.19	0.75	-	0.56	0.26	0.26	45°	90°	0.14	2.2	2.33	0.63
1	2.19	-	0.75	-	0.56	0.26	-	45°	90°	0.14	2.33	-	0.63
1 1/4	-	4.19	0.75	0.5	0.56	-	0.26	45°	90°	0.14	-	4.33	0.63
1 1/2	4.19	-	0.75	0.5	0.56	0.26	-	45°	90°	0.14	4.33	-	0.63

**Dimensions – piston diameter 2 1/2**

Download CAD data → [www.festo.com](http://www.festo.com)

[S] Single-acting, pushing (piston rod retracted by spring force)

[F] Internal thread



Stroke [in]	AF	KF	
		[L4]	[N]
1/8	0.56	-	M12 1/2-20 UNF-2B
1/4	0.63	0.63	M12 1/2-20 UNF-2B
1/2	0.63	0.88	M12 1/2-20 UNF-2B
3/4	0.88	0.88	M12 1/2-20 UNF-2B
1	0.88	-	M12 1/2-20 UNF-2B
1 1/4	-	0.88	M12 1/2-20 UNF-2B
1 1/2	0.88	-	M12 1/2-20 UNF-2B



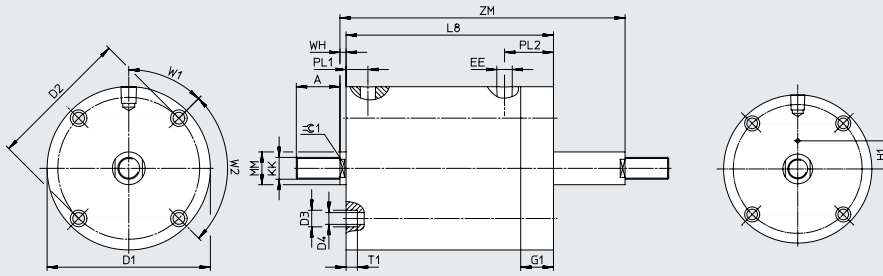
Datasheet

**Dimensions – piston diameter 2 1/2**

Download CAD data → [www.festo.com](http://www.festo.com)

[T] Through piston rod

DPCA-...-1/8" ...1"



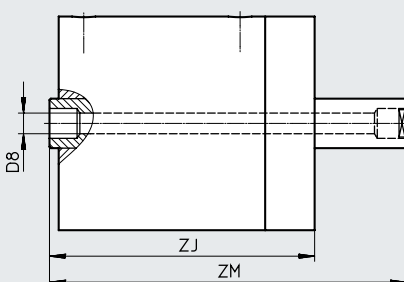
Stroke [in]	A	D1 ø	D2 ø	D3 ø	D4 ø	EE		G1	H1	KK	
							[N]				[N]
1/8	1	3.74	3.25	0.38	0.27	G1/8	1/8 NPT	0.75	0.71	M12	1/2-20 UNF-2A
1/4	1	3.74	3.25	0.38	0.27	G1/8	1/8 NPT	0.75	0.71	M12	1/2-20 UNF-2A
1/2	1	3.74	3.25	0.38	0.27	G1/8	1/8 NPT	0.75	0.71	M12	1/2-20 UNF-2A
3/4	1	3.74	3.25	0.38	0.27	G1/8	1/8 NPT	0.75	0.71	M12	1/2-20 UNF-2A
1	1	3.74	3.25	0.38	0.27	G1/8	1/8 NPT	0.75	0.71	M12	1/2-20 UNF-2A
1 1/2	1	3.74	3.25	0.38	0.27	G1/8	1/8 NPT	0.75	-	M12	1/2-20 UNF-2A

Stroke [in]	L8	MM ø	PL1	PL2	T1	W1	W2	WH	ZM	≈G 1
1/8	1.88	0.75	-	1.13	0.25	45°	90°	0.14	2.285	0.63
1/4	2	0.75	-	1.12	0.25	45°	90°	0.14	2.53	0.63
1/2	2.25	0.75	-	1.12	0.25	45°	90°	0.14	3.03	0.63
3/4	2.63	0.75	-	1.13	0.25	45°	90°	0.14	3.66	0.63
1	2.75	0.75	-	1.12	0.25	45°	90°	0.14	4.03	0.63
1 1/2	4.75	0.75	0.5	1.12	0.25	45°	90°	0.14	6.53	0.63

**Dimensions – piston diameter 2 1/2**

Download CAD data → [www.festo.com](http://www.festo.com)

[H] Through, hollow piston rod



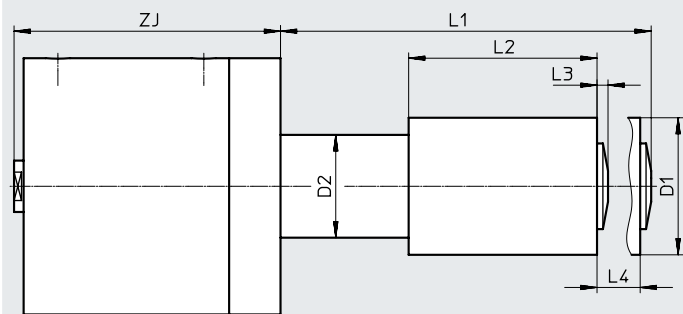
Stroke [in]	D8 ø	ZJ	ZM
1/8	1/4	2.02	2.285
1/4	1/4	2.14	2.53
1/2	1/4	2.39	3.03
3/4	1/4	2.77	3.66
1	1/4	2.89	4.03
1 1/2	1/4	3.39	5.03

Datasheet

**Dimensions – piston diameter 2 1/2**

Download CAD data → [www.festo.com](http://www.festo.com)

[E] Stroke adjustment



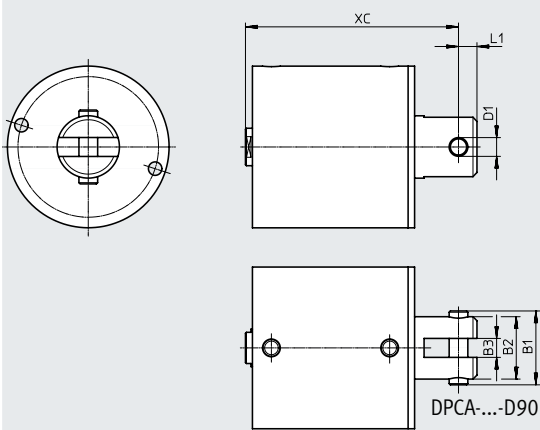
Stroke [in]	D1 ∅	D2 ∅	L1	L2	L3	L4	ZJ
1/8	2	1.5	1.67	0.88	0.16	0.63	2.02
1/4	2	1.5	1.91	1	0.16	0.63	2.14
1/2	2	1.5	2.41	1.25	0.16	0.63	2.39
3/4	2	1.5	2.91	1.5	0.16	0.63	2.77
1	2	1.5	3.41	1.75	0.16	0.63	2.89
1 1/2	2	1.5	4.41	2.25	0.16	0.63	4.89

**Dimensions – piston diameter 2 1/2**

Download CAD data → [www.festo.com](http://www.festo.com)

[D] With swivel clevis

[D90] With swivel clevis, rotated 90°



Stroke [in]	B1	B2	B3	D1 ∅	L1	XC			
						[S]	[L4-S]	[P]	[L4-P]
1/8	1.86	1.63	0.5	0.5	0.5	2.64	–	3.21	–
1/4	1.86	1.63	0.5	0.5	0.5	2.77	3.02	3.46	3.77
1/2	1.86	1.63	0.5	0.5	0.5	3.02	3.39	3.96	4.33
3/4	1.86	1.63	0.5	0.5	0.5	3.39	3.52	4.58	4.71
1	1.86	1.63	0.5	0.5	0.5	3.52	–	4.96	–
1 1/4	1.86	1.63	0.5	0.5	0.5	–	5.52	–	–
1 1/2	1.86	1.63	0.5	0.5	0.5	5.52	–	–	–

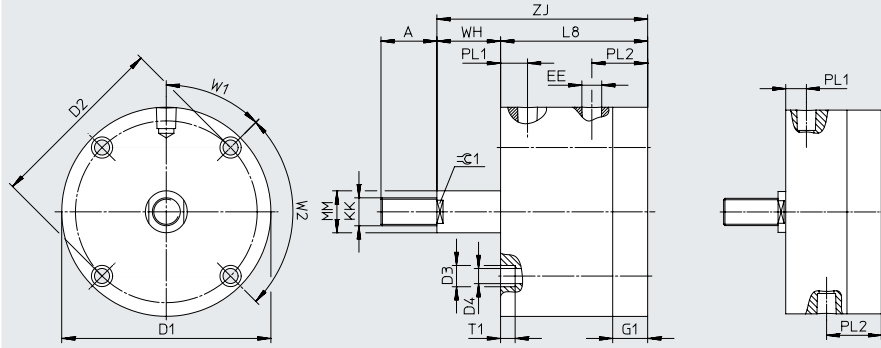
Datasheet

Dimensions – piston diameter 3

Download CAD data → [www.festo.com](http://www.festo.com)

[P] Single-acting, pulling (piston rod advanced by spring force)

DPCA-...-1/8"...1/4"



Stroke [in]	A	D1 ∅	D2 ∅	D3 ∅	D4 ∅	EE		G1	KK	
							[N]			[N]
1/8	1	4.24	3.81	0.38	0.27	G1/8	1/8 NPT	0.63	M12	1/2-20 UNF-2A
1/4	1	4.24	3.81	0.38	0.27	G1/8	1/8 NPT	0.63	M12	1/2-20 UNF-2A
1/2	1	4.24	3.81	0.38	0.27	G1/8	1/8 NPT	0.63	M12	1/2-20 UNF-2A
3/4	1	4.24	3.81	0.38	0.27	G1/8	1/8 NPT	0.63	M12	1/2-20 UNF-2A
1	1	4.24	3.81	0.38	0.27	G1/8	1/8 NPT	0.63	M12	1/2-20 UNF-2A

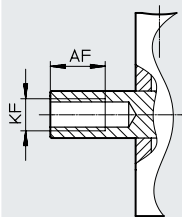
Stroke [in]	L8		MM ∅	PL1		PL2	T1	W1	W2	WH	ZJ		0.63
		[L4]			[L4]							[L4]	
1/8	1.815	–	0.75	0.385	–	1	0.265	45°	90°	0.265	2.08	–	0.63
1/4	1.94	2.19	0.75	0.38	0.38	1	0.26	45°	90°	0.39	2.33	2.58	0.63
1/2	2.19	2.44	0.75	0.38	0.5	1	0.26	45°	90°	0.64	2.83	3.08	0.63
3/4	2.44	2.69	0.75	0.5	0.5	1	0.26	45°	90°	0.89	3.33	3.58	0.63
1	2.69	–	0.75	0.5	–	1	0.26	45°	90°	1.14	3.83	–	0.63

Dimensions – piston diameter 3

Download CAD data → [www.festo.com](http://www.festo.com)

[P] Single-acting, pulling (piston rod advanced by spring force)

[F] Internal thread



Stroke [in]	AF	AF [L4]	KF	
				[N]
1/8	0.63	–	M12	1/2-20 UNF-2B
1/4	0.63	0.63	M12	1/2-20 UNF-2B
1/2	0.63	0.88	M12	1/2-20 UNF-2B
3/4	0.88	0.88	M12	1/2-20 UNF-2B
1	0.88	–	M12	1/2-20 UNF-2B

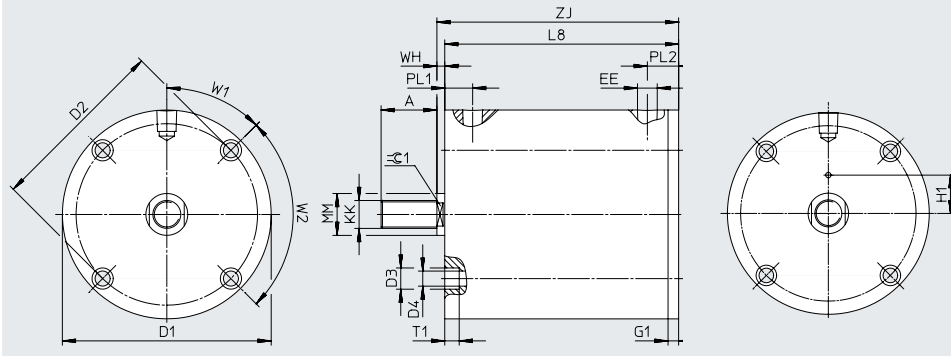
Datasheet

**Dimensions – piston diameter 3**

Download CAD data → [www.festo.com](http://www.festo.com)

[S] Single-acting, pushing (piston rod retracted by spring force)

DPCA-...-1/8" ...1"  
DPCA-...-L4-...-1/4" ...3/4"



Stroke [in]	A	D1 ø	D2 ø	D3 ø	D4 ø	EE		G1	H1		KK	
							[N]			[L4]		[N]
1/8	1	4.24	3.81	0.38	0.27	G1/8	1/8 NPT	0.19	0.71	-	M12	1/2-20 UNF-2A
1/4	1	4.24	3.81	0.38	0.27	G1/8	1/8 NPT	0.19	0.71	0.71	M12	1/2-20 UNF-2A
1/2	1	4.24	3.81	0.38	0.27	G1/8	1/8 NPT	0.19	0.71	0.71	M12	1/2-20 UNF-2A
3/4	1	4.24	3.81	0.38	0.27	G1/8	1/8 NPT	0.19	0.71	0.71	M12	1/2-20 UNF-2A
1	1	4.24	3.81	0.38	0.27	G1/8	1/8 NPT	0.19	0.71	-	M12	1/2-20 UNF-2A
1 1/4	1	4.24	3.81	0.38	0.27	G1/8	1/8 NPT	0.19	-	-	M12	1/2-20 UNF-2A
1 1/2	1	4.24	3.81	0.38	0.27	G1/8	1/8 NPT	0.19	-	-	M12	1/2-20 UNF-2A

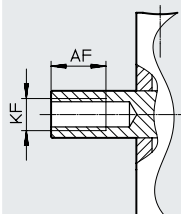
Stroke [in]	L8		MM ø	PL1	PL2	T1	W1	W2	WH	ZJ		≈ 1
		[L4]									[L4]	
1/8	1.38	-	0.75	-	0.57	0.26	45°	90°	0.14	1.52	-	0.63
1/4	1.5	1.75	0.75	-	0.56	0.26	45°	90°	0.14	1.64	1.89	0.63
1/2	1.75	2	0.75	-	0.56	0.26	45°	90°	0.14	1.89	2.14	0.63
3/4	2	2.25	0.75	-	0.56	0.26	45°	90°	0.14	2.14	2.39	0.63
1	2.25	-	0.75	-	0.56	0.26	45°	90°	0.14	2.39	-	0.63
1 1/4	-	4.25	0.75	0.5	0.56	0.26	45°	90°	0.14	-	4.39	0.63
1 1/2	4.25	-	0.75	0.5	0.56	0.26	45°	90°	0.14	4.39	-	0.63

**Dimensions – piston diameter 3**

Download CAD data → [www.festo.com](http://www.festo.com)

[S] Single-acting, pushing (piston rod retracted by spring force)

[F] Internal thread



Stroke [in]	AF		KF	
		[L4]		[N]
1/8	0.63	-	M12	1/2-20 UNF-2B
1/4	0.63	0.63	M12	1/2-20 UNF-2B
1/2	0.63	0.88	M12	1/2-20 UNF-2B
3/4	0.88	0.88	M12	1/2-20 UNF-2B
1	0.88	-	M12	1/2-20 UNF-2B
1 1/4	-	0.88	M12	1/2-20 UNF-2B
1 1/2	0.88	-	M12	1/2-20 UNF-2B

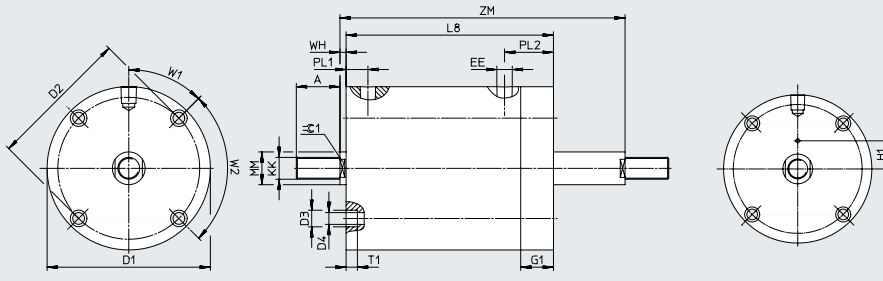
Datasheet

**Dimensions – piston diameter 3**

Download CAD data → [www.festo.com](http://www.festo.com)

[T] Through piston rod

DPCA-...-1/8" ...1"



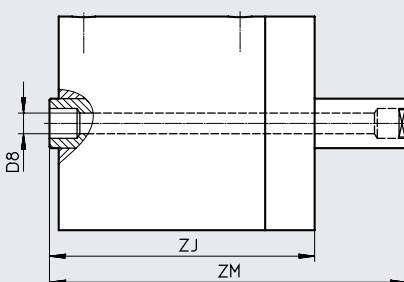
Stroke [in]	A	D1 ∅	D2 ∅	D3 ∅	D4 ∅	EE		G1	H1	KK	
							[N]				[N]
1/8	1	4.24	3.81	0.38	0.27	G1/8	1/8 NPT	0.75	0.71	M12	1/2-20 UNF-2A
1/4	1	4.24	3.81	0.38	0.27	G1/8	1/8 NPT	0.75	0.71	M12	1/2-20 UNF-2A
1/2	1	4.24	3.81	0.38	0.27	G1/8	1/8 NPT	0.75	0.71	M12	1/2-20 UNF-2A
3/4	1	4.24	3.81	0.38	0.27	G1/8	1/8 NPT	0.75	0.71	M12	1/2-20 UNF-2A
1	1	4.24	3.81	0.38	0.27	G1/8	1/8 NPT	0.75	0.71	M12	1/2-20 UNF-2A
1 1/2	1	4.24	3.81	0.38	0.27	G1/8	1/8 NPT	0.75	-	M12	1/2-20 UNF-2A

Stroke [in]	L8	MM ∅	PL1	PL2	T1	W1	W2	WH	ZM	≈ $\ominus$ 1
1/8	1.94	0.75	-	1.13	0.26	45°	90°	0.14	2.345	0.63
1/4	2.06	0.75	-	1.12	0.26	45°	90°	0.14	2.59	0.63
1/2	2.31	0.75	-	1.12	0.21	45°	90°	0.14	3.09	0.63
3/4	2.56	0.75	-	1.12	0.26	45°	90°	0.14	3.59	0.63
1	2.81	0.75	-	1.12	0.26	45°	90°	0.14	4.09	0.63
1 1/2	4.81	0.75	0.5	1.12	0.26	45°	90°	0.14	6.59	0.63

**Dimensions – piston diameter 3**

Download CAD data → [www.festo.com](http://www.festo.com)

[H] Through, hollow piston rod



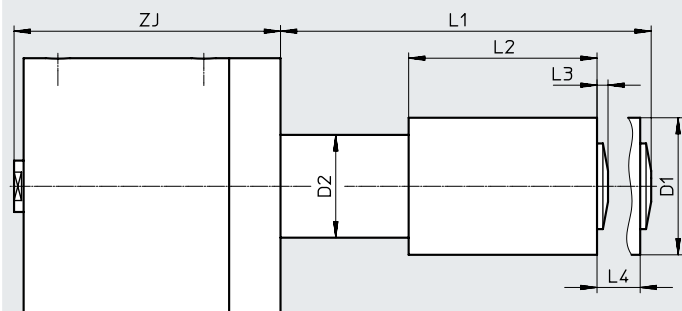
Stroke [in]	D8 ∅	ZJ	ZM
1/8	1/4	2.08	2.345
1/4	1/4	2.2	2.59
1/2	1/4	2.45	3.09
3/4	1/4	2.7	3.59
1	1/4	2.95	4.09
1 1/2	1/4	3.45	5.09

Datasheet

**Dimensions – piston diameter 3**

Download CAD data → [www.festo.com](http://www.festo.com)

[E] Stroke adjustment



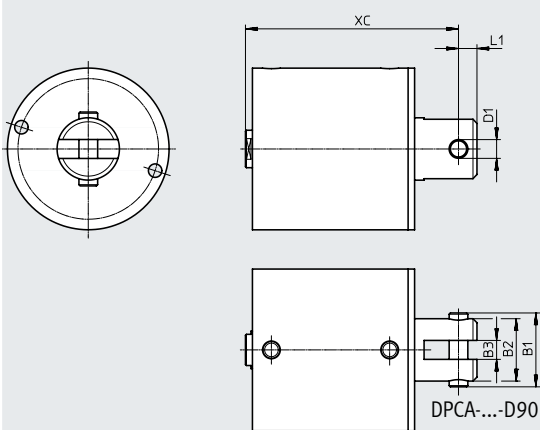
Stroke [in]	D1 ∅	D2 ∅	L1	L2	L3	L4	ZJ
1/8	2	1.5	1.67	0.88	0.16	0.63	2.08
1/4	2	1.5	1.91	1	0.16	0.63	2.2
1/2	2	1.5	2.41	1.25	0.16	0.63	2.45
3/4	2	1.5	2.91	1.5	0.16	0.63	2.7
1	2	1.5	3.41	1.75	0.16	0.63	2.95
1 1/2	2	1.5	4.41	2.25	0.16	0.63	4.95

**Dimensions – piston diameter 3**

Download CAD data → [www.festo.com](http://www.festo.com)

[D] With swivel clevis

[D90] With swivel clevis, rotated 90°



Stroke [in]	B1	B2	B3	D1 ∅	L1	XC			
						[S]	[L4-S]	[P]	[L4-P]
1/8	1.86	1.63	0.5	0.5	0.5	2.71	–	3.27	–
1/4	1.86	1.63	0.5	0.5	0.5	2.83	3.08	3.52	3.77
1/2	1.86	1.63	0.5	0.5	0.5	3.08	3.33	4.02	4.27
3/4	1.86	1.63	0.5	0.5	0.5	3.33	3.58	4.52	4.77
1	1.86	1.63	0.5	0.5	0.5	3.58	–	5.02	–
1 1/4	1.86	1.63	0.5	0.5	0.5	–	5.58	–	–
1 1/2	1.86	1.63	0.5	0.5	0.5	5.58	–	–	–

## Ordering data – Modular product system

Ordering table										
Piston diameter	1/2	3/4	1 1/8	1 5/8	2	2 1/2	3	Conditions	Code	Enter code
Module no.	<b>8104871</b>	<b>8104872</b>	<b>8104873</b>	<b>8104874</b>	<b>8104875</b>	<b>8104876</b>	<b>8104877</b>			
Function	Compact cylinder, single-acting								DPCA	DPCA
System of units	Metric									
	Inch								-N	
Anti-twist protection	Without									
Running characteristics	Standard									
	Additional PTFE piston guide								[1]	L4
Piston diameter	1/2"	3/4"	1 1/8"	1 5/8"	2"	2 1/2"	3"		-"	
Stroke										
1/16"	1)	1)	2)	-	-	-	-		-1/16"	
1/8"				1)		1)	1)		-1/8"	
3/16"	-	-	1)	-	-	-	-		-3/16"	
1/4"			1)						-1/4"	
3/8"			2)	-	1)	-	-		-3/8"	
1/2"			1)						-1/2"	
5/8"			2)	-	-	-	-		-5/8"	
3/4"	1)	1)	1)						-3/4"	
7/8"	-	-	2)	-	-	-	-		-7/8"	
1"			1)	1)	1)	1)	1)		-1"	
1 1/8"	-	-	2)	-	-	-	-		-1 1/8"	
1 1/4"			1)	2)	2)	2)	2)		-1 1/4"	
1 3/8"	-	-	2)	-	-	-	-		-1 3/8"	
1 1/2"			1)	1)	1)	1)	1)		-1 1/2"	
1 5/8"	-	-	2)	-	-	-	-		-1 5/8"	
1 3/4"	-	-	1)	-	-	-	-		-1 3/4"	
1 7/8"	-	-	2)	-	-	-	-		-1 7/8"	
2"			1)	-	-	-	-		-2"	
Stroke adjustment	Without									
	-	-	Advancing/front						[2]	E
Function	Single-acting, pulling (piston rod advanced by spring force)								[3]	-P
	Single-acting, pushing (piston rod retracted by spring force)								[4]	-S

[1] L4

Not with stroke adjustment E  
Not with piston rod type H, T

[2] E

Not with running characteristic L4  
Not with function P  
Not with piston rod type H, T  
Not with type of mounting D, U, D90, U90

[3] P

Not with stroke adjustment E  
Not with stroke 1 5/8, 1 3/4, 1 7/8, 2  
Not with stroke 1/2 for piston diameter 1/2, 3/4 and running characteristic L4  
Not with stroke 5/8, 3/4 for piston diameter 1/2, 3/4  
Not with stroke 1 for piston diameter 1/2, 3/4  
Not with stroke 1 1/4, 1 1/2 for piston diameter 1/2, 3/4, 1 5/8, 2, 2 1/2, 3

[4] S

Not with stroke 2 for piston diameter 1 5/8, 2, 2 1/2, 3

1) Only with standard running characteristic

2) Only with running characteristic L4

## Ordering data – Modular product system

Ordering table										
Piston diameter	1/2	3/4	1 1/8	1 5/8	2	2 1/2	3	Conditions	Code	Enter code
Piston rod type	At one end									
	Through, hollow piston rod							[5]	H	
	Through piston rod							[5]	T	
Piston rod thread type	External thread							[6]		
	Internal thread								F	
Type of mounting	Standard									
	With swivel clevis							[7]	D	
	With swiveling rod eye					-	-	[7]	U	
	With swivel clevis, rotated 90°							[7]	D90	
	With swiveling rod eye, rotated 90°					-	-	[7]	U90	
Cushioning	No cushioning								-N	
	Flexible cushioning rings/pads at front							[8]	-P2	
	Flexible cushioning rings/pads at rear							[9]	-P3	
Noise reduction	Without									
	-	-	Both sides				[10]	SL		
	-	-	Front				[11]	SL2		
	-	-	Rear				[12]	SL3		
Scraper variant	None									
	Increased chemical resistance								-A1	

- [5] H, T  
 Not with running characteristic L4  
 Not with stroke adjustment E  
 Not with function P  
 Not with type of mounting D, U, D90, U90
- [6] Not with piston rod type H
- [7] D, U, D90, U90  
 Not with stroke adjustment E  
 Not with piston rod type H, T
- [8] P2  
 Not with function S
- [9] P3  
 Not with function P
- [10] SL  
 Not with function S  
 Not with cushioning P2, P3
- [11] SL2  
 Not with function S  
 Not with cushioning P2
- [12] SL3  
 Not with cushioning P3



## Accessories

**Clevis flange DAMS-C4-...-C**

For connecting to compact cylinder  
DPCA

Material:

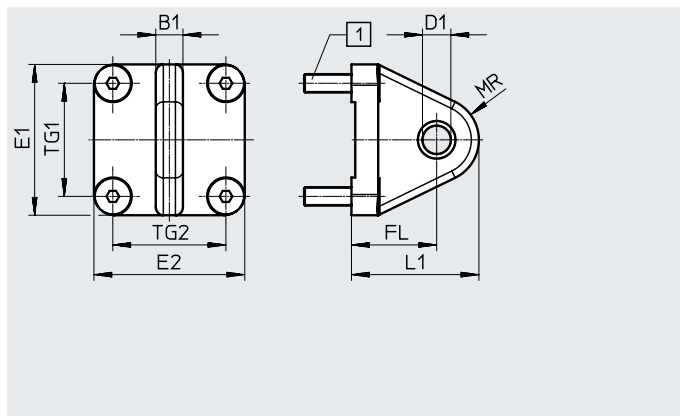
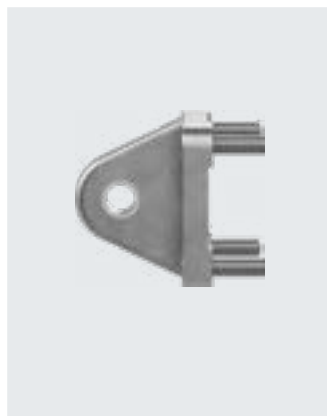
Mounting: die-cast zinc

Bearing: bronze

Bolt, lock, washer, screws: galvanized  
steel

RoHS-compliant

Contains paint-wetting impairment  
substances

**Dimensions and ordering data**

For diameter [in]	B1	D1 ∅	E1	E2	FL	L1	MR	TG1	TG2	Part no.	Type
1/2; 3/4	0.23	0.251	1.25	1.25	0.56	0.87	0.31	0.88	0.88	8106594	DAMS-C4-3/4"-C
1 1/8	0.3	0.3135	1.5	1.5	0.94	1.38	0.44	1.13	1.13	8106595	DAMS-C4-1 1/8"-C
1 5/8; 2	0.36	0.376	2	2	1.13	1.69	0.56	1.5	1.5	8106596	DAMS-C4-2"-C
2 1/2; 3	0.47	0.501	2	2	1.5	2.25	0.75	1.38	1.38	8106597	DAMS-C4-3"-C
4	0.58	0.626	2.5	2.25	1.63	2.63	1	1.75	1.5	8106598	DAMS-C4-4"-C

**Clevis flange DAMS-C4-...-C**

For connecting to swivel clevis DARC

Material:

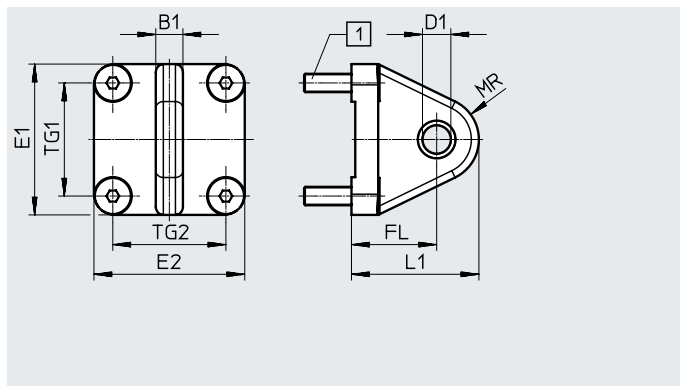
Mounting: die-cast zinc

Bearing: bronze

Bolt, lock, washer, screws: galvanized  
steel

RoHS-compliant

Contains paint-wetting impairment  
substances

**Dimensions and ordering data**

For swivel clevis	B1	D1 ∅	E1	E2	FL	L1	MR	TG1	TG2	Part no.	Type
DARC-U8C/-U10	0.18	0.1885	1.25	1.25	0.56	0.87	0.31	0.88	0.88	8106593	DAMS-C4-1/2"-C
DARC-U516	0.23	0.251	1.25	1.25	0.56	0.87	0.31	0.88	0.88	8106594	DAMS-C4-3/4"-C
DARC-U38/ U12/U12L/ M12/M12L	0.3	0.3135	1.5	1.5	0.94	1.38	0.44	1.13	1.13	8106595	DAMS-C4-1 1/8"-C
DARC-U58	0.47	0.501	2	2	1.5	2.25	0.75	1.38	1.38	8106597	DAMS-C4-3"-C

## Accessories

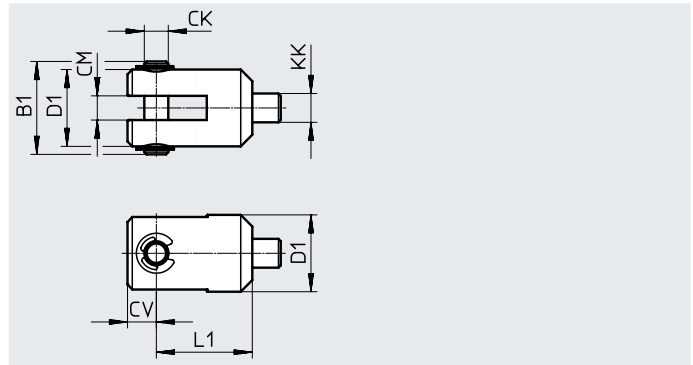
## Swivel clevis DARC-C4-...-M

Material:

Rod clevis, bolt, lock: steel

RoHS-compliant

Contains paint-wetting impairment substances



## Dimensions and ordering data

For diameter [in]	B1	CM	CK	CV	D1 ø
<b>Inch</b>					
1/2	0.7	0.19	0.1875	0.25	0.5
3/4	0.7	0.19	0.1875	0.25	0.5
1 1/8	0.96	0.25	0.25	0.28	0.75
1 5/8	1.21	0.32	0.3125	0.38	1
2; 2 1/2	1.21	0.32	0.3125	0.38	1
4	1.62	0.5	0.5	0.5	1.38
<b>Metric</b>					
2; 2 1/2; 3	1.21	0.32	0.3125	0.38	1
4	1.62	0.5	0.5	0.5	1.38
<b>Longer thread design</b>					
<b>Inch</b>					
2; 2 1/2; 3	1.21	0.32	0.3125	0.38	1
<b>Metric</b>					
2; 2 1/2	1.21	0.32	0.3125	0.38	1

For diameter [in]	KK	L1	Part no.	Type
<b>Inch</b>				
1/2	8-32x0.25	0.75	8106622	DARC-C4-U8C-M
3/4	10-32x0.25	0.75	8106623	DARC-C4-U10-M
1 1/8	5/16-24	0.88	8106624	DARC-C4-U516-M
1 5/8	3/8-24x0.37	1.25	8106625	DARC-C4-U38-M
2; 2 1/2	1/2-20x0.39	1.31	8106626	DARC-C4-U12-M
4	5/8-18x0.75	1.63	8106630	DARC-C4-U58-M
<b>Metric</b>				
2; 2 1/2; 3	M12x9.9	1.31	8106628	DARC-C4-M12-M
4	M16x19	1.63	8106631	DARC-C4-M16-M
<b>Longer thread design</b>				
<b>Inch</b>				
2; 2 1/2; 3	1/2-20x0.62	1.31	8106627	DARC-C4-U12L-M
<b>Metric</b>				
2; 2 1/2	M12x15.7	1.31	8106629	DARC-C4-M12L-M

## Accessories

## Clevis flange DAMS-C4-...-D

Material:

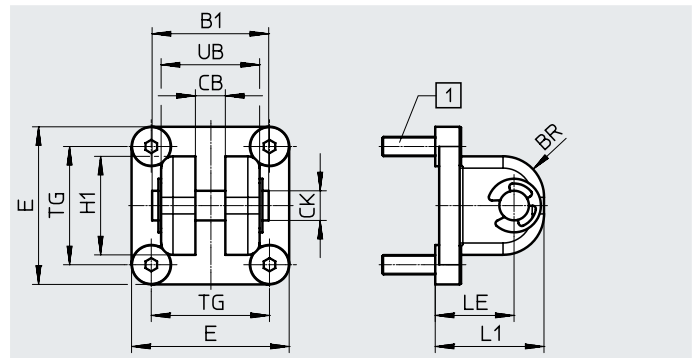
Mounting: die-cast zinc

Bearing: bronze

Screws: galvanized steel

RoHS-compliant

Contains paint-wetting impairment substances

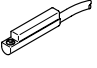
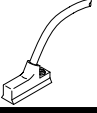







## Dimensions and ordering data

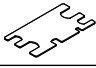

For diameter [in]	B1	BR	CB	CK	E	H1
1/2; 3/4	0.83	0.3	0.25	0.25	1.25	0.63
1 1/8	1.21	0.46	0.31	0.3125	1.5	0.88
1 5/8; 2	1.48	0.52	0.38	0.375	2	1.25

For diameter [in]	L1	LE	TG	UB	Part no.	Type
1/2; 3/4	0.81	0.56	0.88	0.63	8106613	DAMS-C4-1/2"-D
1 1/8	1.32	0.94	1.13	1	8106614	DAMS-C4-1 1/8"-D
1 5/8; 2	1.38	1	1.5	1.25	8106615	DAMS-C4-1 5/8"-D

## Accessories

Ordering data – Proximity switch round shape, magneto-resistive							Data sheets → Internet: sdbf
	For diameter [in]	Type of mounting	Switching output	Electrical connection	Part no.	Type	
<b>N/O contact</b>							
	1/2	Can be inserted in slot lengthwise	PNP	Cable, 3-wire	8106571	SDBF-FAS-1L-PU-K-9-N-LE	
				Plug M8x1, 3-pin	8106572	SDBF-FAS-1L-PU-K-0.5-N-M8	
			NPN	Cable, 3-wire	8106573	SDBF-FAS-1L-NU-K-9-N-LE	
				Plug M8x1, 3-pin	8106574	SDBF-FAS-1L-NU-K-0.5-N-M8	
<b>Ordering data – Proximity switch dovetail, magneto-resistive</b>							Data sheets → Internet: sdbf
	For diameter [in]	Type of mounting	Switching output	Electrical connection	Part no.	Type	
<b>N/O contact</b>							
	3/4 ... 4	Can be inserted in slot lengthwise	PNP	Cable, 3-wire	8106575	SDBF-FBS-1L-PU-K-9-N-LE	
				Plug M8x1, 3-pin	8106576	SDBF-FBS-1L-PU-K-0.5-N-M8	
			NPN	Cable, 3-wire	8106577	SDBF-FBS-1L-NU-K-9-N-LE	
				Plug M8x1, 3-pin	8106578	SDBF-FBS-1L-NU-K-0.5-N-M8	
<b>Ordering data – Connecting cables</b>							Data sheets → Internet: nebu
	Electrical connection, left	Electrical connection, right	Cable length [m]	Part no.	Type		
	Straight socket, M8x1, 3-pin	Cable, open end, 3-wire	2.5	541333	NEBU-M8G3-K-2.5-LE3		
			5	541334	NEBU-M8G3-K-5-LE3		
	Angled socket, M8x1, 3-pin	Cable, open end, 3-wire	2.5	541338	NEBU-M8W3-K-2.5-LE3		
			5	541341	NEBU-M8W3-K-5-LE3		
<b>Ordering data</b>							
	For diameter [in]	Description	Part no.	Type			
<b>One-way flow control valve GRLA</b>							Data sheets → Internet: grla
	1/2	for regulating velocity	564839	GRLA-10-32-UNF-QB-1/8-U			
	3/4		564842	GRLA-10-32-UNF-QB-1/4-U			
	1 1/8		534658	GRLA-1/8-QB-1/4-U			
	1 5/8 ... 4		534659	GRLA-1/8-QB-5/16-U			
<b>Push-in fitting, straight</b>							Data sheets → Internet: qb
	1/2	for connecting compressed air tubing with standard O.D.	533266	QBM-10-32-UNF-1/8-U			
	3/4		533269	QB-10-32-UNF-1/4-U			
	1 1/8		533273	QB-1/8-1/4-U			
	1 5/8 ... 4		567773	QB-1/8-3/8-U			
<b>Push-in fitting, angled</b>							Data sheets → Internet: qb
	1/2	for connecting compressed air tubing with standard O.D.	533285	QBML-10-32-UNF-1/8-U			
	3/4		533288	QBL-10-32-UNF-1/4-U			
	1 1/8		533292	QBL-1/8-1/4-U			
	1 5/8 ... 4		567777	QBL-1/8-3/8-U			

## Accessories

Ordering data		Description	Part no.	Type
	For diameter [in]			
<b>Assembly tool</b>				
		For fixing the piston rod in place when mounting piston rod attachments	8106809	DADG-WF
<b>Seal set</b>				
	1/2	Spare parts	8106839	DADG-SK-C4-1/2"
	3/4		8106840	DADG-SK-C4-3/4"
			8106841	DADG-SK-C4-3/4"-L4
	1 1/8		8106842	DADG-SK-C4-3/4"-Q
			8141157	DADG-SK-C4-3/4"-QL4
			8106843	DADG-SK-C4-1 1/8"
	1 5/8		8106844	DADG-SK-C4-1 1/8"-L4
			8106845	DADG-SK-C4-1 1/8"-Q
			8141158	DADG-SK-C4-1 1/8"-QL4
			8106846	DADG-SK-C4-1 5/8"
	2		8106847	DADG-SK-C4-1 5/8"-L4
			8106848	DADG-SK-C4-1 5/8"-Q
			8141159	DADG-SK-C4-1 5/8"-QL4
			8106849	DADG-SK-C4-2"
	2 1/2		8106850	DADG-SK-C4-2"-L4
			8106851	DADG-SK-C4-2"-Q
			8141160	DADG-SK-C4-2"-QL4
			8106852	DADG-SK-C4-2 1/2"
	3		8106853	DADG-SK-C4-2 1/2"-L4
8106854		DADG-SK-C4-2 1/2"-Q		
8141161		DADG-SK-C4-2 1/2"-QL4		
8106855		DADG-SK-C4-3"		
4	8106856	DADG-SK-C4-3"-L4		
	8106857	DADG-SK-C4-3"-Q		
	8141162	DADG-SK-C4-3"-QL4		
	8106858	DADG-SK-C4-4"		
		8106859	DADG-SK-C4-4"-L4	
		8106860	DADG-SK-C4-4"-Q	
		8141163	DADG-SK-C4-4"-QL4	