

Spindle axes DGE



- 1 - Type discontinued
Available up until 2019

FESTO

Spindle axes DGE

Key features

At a glance

- Precision, rigid guide
- Highly adaptable, thanks to wide choice of mounting and attachment options
- Wide range of options for attaching drive units
- Comprehensive range of mounting accessories for multi-axis combinations
- Optimally adapted motor controller combinations

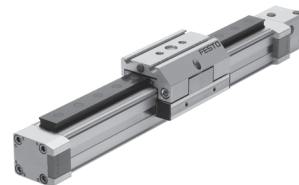
Basic version DGE-SP

- Stroke lengths from 100 ... 2000 mm
- Without guide
- Low characteristic load values



With recirculating ball bearing guide DGE-SP-KF-GK/-GV

- Stroke lengths from 100 ... 2000 mm
- Standard slide or extended slide
- Medium to high characteristic load values



With protected version DGE-SP-KF-GA

- Stroke lengths from 140 ... 1500 mm
- Guide and slide are fitted with a cover to protect against the ingress of particles from above and from the side



Spindle axes DGE

Key features

System selection for electromechanical drives

Spindle axis



-  - Note

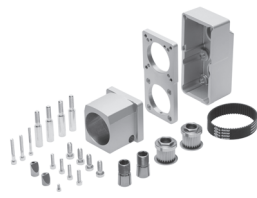
For the spindle axes and the motors there are matching complete solutions.

Motor kit

Axial kit

Parallel kit

→ page 42

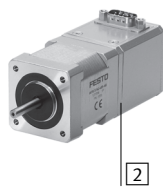


Axial kit consisting of:

- Motor flange
- Coupling housing
- Coupling
- Screws

Motor

→ page 42



- 1 Servo motor EMME-AS, EMMS-AS
- 2 Stepper motor EMMS-ST

Motor controller

Technical data → Internet: motor controller



- 1 Servo motor controller CMMP-AS
- 2 Stepper motor controller CMMS-ST

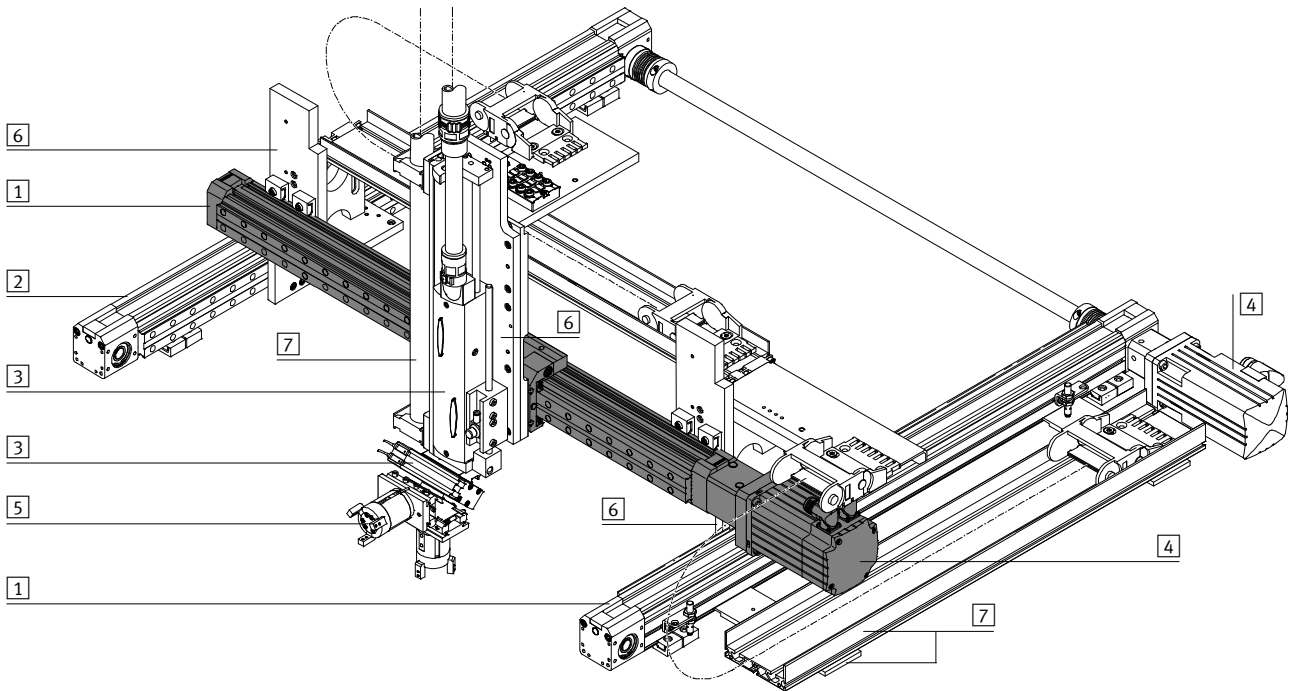
- 1 - Type discontinued
Available up until 2019

Spindle axes DGE

System example

FESTO

System product for handling and assembly technology



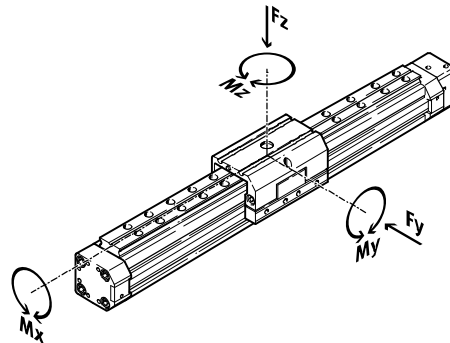
System components and accessories		
Type	Description	→ Page/Internet
1	Axes	Wide range of combination options within handling and assembly technology axes
2	Passive guide axes	Diverse possible combinations in handling and assembly technology guide axes
3	Drives	Wide range of combination options within handling and assembly technology drive
4	Motors	Servo and stepper motors, with or without gearing motor
5	Grippers	Wide range of combination options within handling and assembly technology gripper
6	Adapters	For drive/drive combinations 53
		For drive/gripper combinations gripper
7	Installation components	For achieving a clear-cut, safe layout for electrical cables and tubing installation component

Spindle axes DGE

Selection aid

Guide characteristics

The data in the table are maximum values. The precise values for each variant can be found in the corresponding data sheet included in the catalogue.



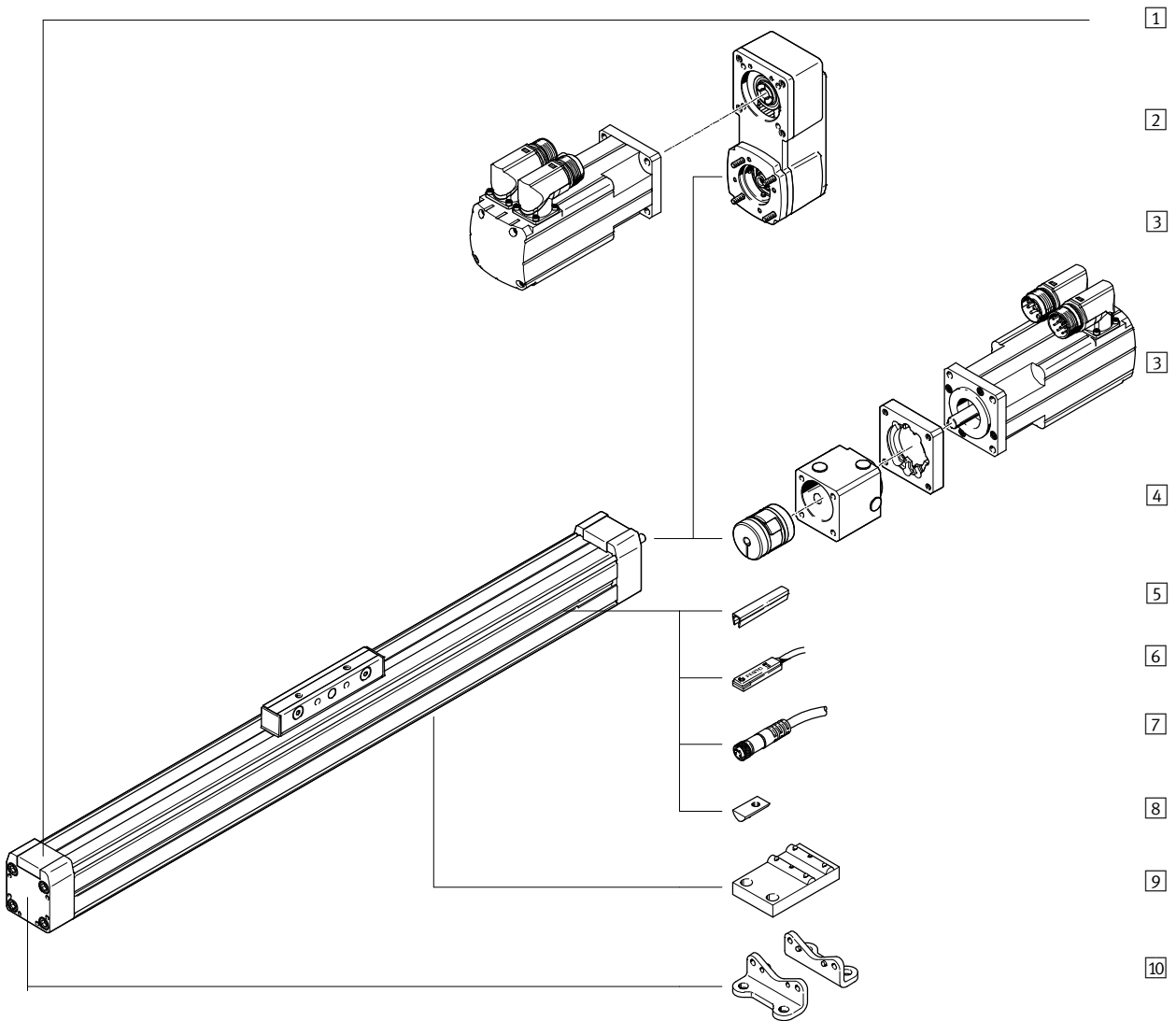
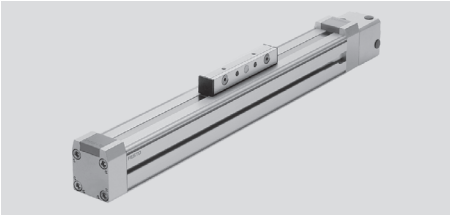
Version	Size	Working stroke [mm]	Speed [m/s]	Repetition accuracy [mm]	Feed force [N]	Forces and torques					→ Page/Internet
						Fy [N]	Fz [N]	Mx [Nm]	My [Nm]	Mz [Nm]	
Basic version without guide SP											
	18	100 ... 500	0.2	±0.02	140	–	1.8	0.5	0.8	0.8	6
	25	100 ... 1000	0.5	±0.02	250	–	2	1	1.5	1.5	
	40	200 ... 1500	1	±0.02	600	–	15	4	4	4	
	63	300 ... 2000	1.2	±0.02	1600	–	106	8	18	18	
With recirculating ball bearing guide SP-KF											
	18	100 ... 500	0.2	±0.02	140	930	930	7	45	45	20
	25	100 ... 1000	0.5	±0.02	250	3080	3080	45	170	170	
	40	140 ... 1500	1	±0.02	600	7300	7300	170	660	660	
	63	150 ... 2000	1.2	±0.02	1600	14050	14050	580	1820	1820	

- 2 - Type discontinued
Available up until 2019

Spindle axes DGE-SP

Peripherals overview

FESTO



Spindle axes DGE-SP

Peripherals overview

Variants and accessories		
Type	Description	→ Page/Internet
1 Spindle axis DGE-SP	Electromechanical axis without guide	8
2 Parallel kit EAMM-U	For parallel motor attachment (consisting of: housing, Clamping component, clamping sleeve, toothed belt gearwheel, toothed belt)	45
3 Motor EMMS	Motors specially matched to the axis, with or without gearing, with or without brake	42
4 Axial kit EAMM-A	For axial motor attachment (consisting of: coupling housing, clamping component, motor flange)	42
5 Slot cover B/S	For protecting against the ingress of dirt	51
6 Proximity sensor G/H/I/J/N	For use as a signal generator and safety monitoring	52
7 Cable with socket V	For proximity sensors	52
8 Slot nut for mounting slot Y	For mounting attachments	51
9 Central support M	For mounting the axis	46
10 Foot mounting F	For mounting the axis	46

- 1 - Type discontinued
Available up until 2019

FESTO

Spindle axes DGE-SP

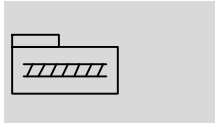
Type code

		DGE	-	25	-	500	-	SP	+ZUB	-					F	2G	
Type																	
DGE	Spindle axis																
Size																	
Stroke [mm]																	
Drive function																	
SP	Spindle																
Accessories																	
ZUB	Accessories supplied loos																
Slot cover																	
...S	Sensor slot																
...B	Mounting slot																
Slot nut																	
...Y	For mounting slot																
Central support																	
...M	Central support																
Foot mounting																	
...F	Foot mounting																
Proximity sensor																	
...G	With cable, 2.5 m																
...H	With plug																
...I	Contactless with cable, 2.5 m																
...J	Contactless, plug																
...N	NC contact with cable, 2.5 m																
Cable with socket																	
...V	2.5 m																

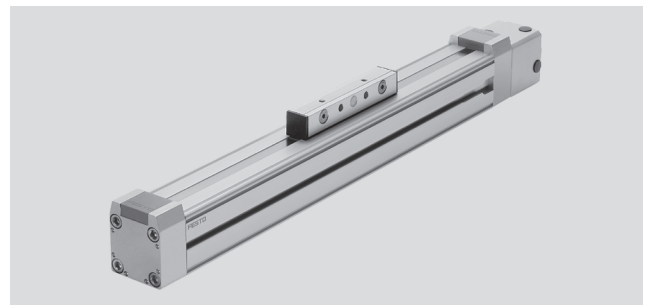
Spindle axes DGE-SP



Technical data

Function



 www.festo.com



-  - Size
18 ... 63
-  - Stroke length
100 ... 2000 mm

General technical data					
Size		18	25	40	63
Constructional design		Electromechanical axis with spindle and driver			
Guide		-			
Mounting position		Any			
Max. working stroke ¹⁾	[mm]	100 ... 500	100 ... 1000 ⁴⁾	200 ... 1500 ⁴⁾	300 ... 2000 ⁴⁾
Max. feed force F_x	[N]	140	250	600	1600
Max. driving torque	[Nm]	0.1	0.45	2.1	8.5
Max. no-load driving torque	[Nm]	0.04 ²⁾	0.15 ³⁾	0.33 ³⁾	1.15 ³⁾
Max. radial force ⁴⁾	[N]	40	75	250	800
Max. speed ⁵⁾	[m/s]	0.2	0.5	1	1.2
Max. acceleration	[m/s ²]	6			
Repetition accuracy	[mm]	±0.02			

- 1) Total stroke = working stroke + 2x stroke reserve
- 2) Measured at a speed of 0.05 m/s
- 3) Measured at a speed of 0.2 m/s
- 4) On drive shaft
- 5) The maximum speed is dependent on the stroke length → page 13

Operating and environmental conditions					
Size		18	25	40	63
Ambient temperature	[°C]	0 ... +40			
Protection class		IP40			

Weights [kg]					
Size		18	25	40	63
Basic weight with 0 mm stroke ¹⁾		0.55	1.4	4.3	12.5
Additional weight per 100 mm stroke		0.21	0.41	0.71	2.53
Moving load		0,13	0,25	0,67	2,17

- 1) Including coupling housing

Mass moment of inertia					
Size		18	25	40	63
J_0	[kg cm ²]	0.007	0.029	0.364	3.15
J_H per metre stroke	[kg cm ² /m]	0.031	0.121	1	6.67
J_L per kg working load	[kg cm ² /kg]	0.005	0.025	0.101	0.228

The mass moment of inertia J_A of the entire axis is calculated as follows:

$$J_A = J_0 + J_H \times \text{working stroke [m]} + J_L \times m_{\text{working load [kg]}}$$

- 1 - Type discontinued
Available up until 2019

Spindle axes DGE-SP

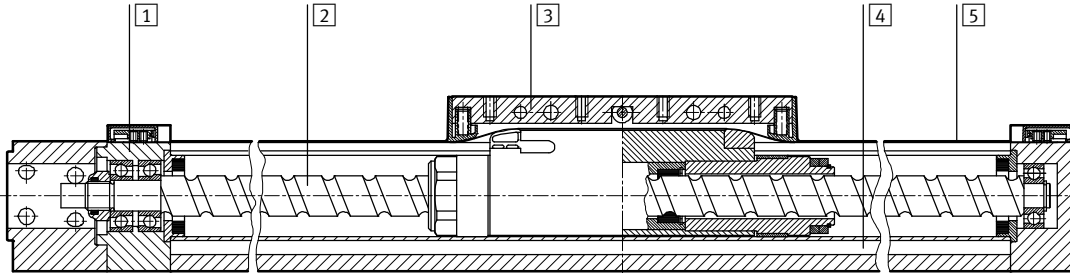
Technical data

FESTO

Spindle		18	25	40	63
Size		18	25	40	63
Diameter	[mm]	8	12	20	32
Pitch	[mm/rev.]	4	10	20	30

Materials

Sectional view



Axis

1	End cap	Wrought aluminium alloy, anodised
2	Spindle	Rolled steel
3	Driver	Wrought aluminium alloy, anodised
4	Profile	Wrought aluminium alloy, anodised
5	Cover strip	Corrosion resistant steel

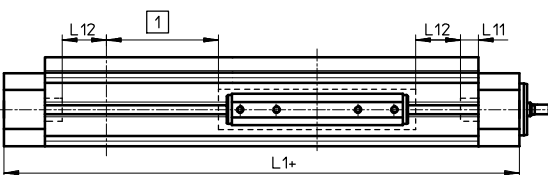
Stroke reserve

L1+ Overall length of axis
L11 Internal mechanical stop

1 The working stroke is the effective usable work range. Please quote this in your order.

L12 Stroke reserve:
Safety distance to mechanical stop, present at both ends of the axis in addition to the stroke.

Example:
Type DGE-25-500-SP
Working stroke = 500 mm
Stroke reserve = (2x 10 mm)
= 20 mm
Total stroke
520 mm = 500 mm + 20 mm



Size		18	25	40	63
L12 per end position	[mm]	6.5	10	20	30

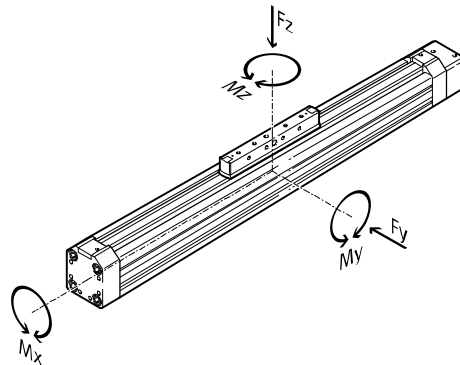
Spindle axes DGE-SP

Technical data

Characteristic load values

The indicated forces and torques refer to the centre line of the internal diameter of the profile.

They must not be exceeded in the dynamic range. Special attention must be paid to the cushioning phase.



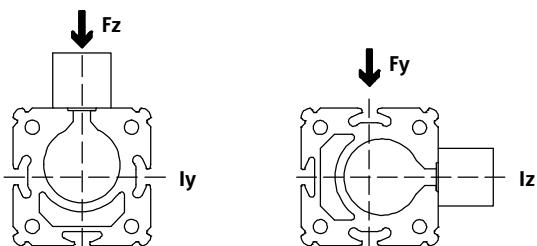
If the axis is subjected to more than two of the indicated forces and torques simultaneously, the following equations must be satisfied in addition to the indicated maximum loads:

$$\frac{Fz}{Fz_{max.}} + \frac{My}{My_{max.}} + \frac{Mz}{Mz_{max.}} \leq 1$$

$$\frac{Mx}{Mx_{max.}} \leq 1$$

Permissible forces and torques					
Size		18	25	40	63
Fy _{max.}	[N]	–	–	–	–
Fz _{max.}	[N]	1.8	2	15	106
Mx _{max.}	[Nm]	0.5	1	4	8
My _{max.}	[Nm]	0.8	1.5	4	18
Mz _{max.}	[Nm]	0.8	1.5	4	18

2nd moment of area



Size		18	25	40	63
Iy	[mm ⁴]	69.8x10 ³	224x10 ³	673x10 ³	5688x10 ³
Iz	[mm ⁴]	72.3x10 ³	240x10 ³	748x10 ³	6031x10 ³

- Note

Sizing software
PositioningDrives
→ www.festo.com

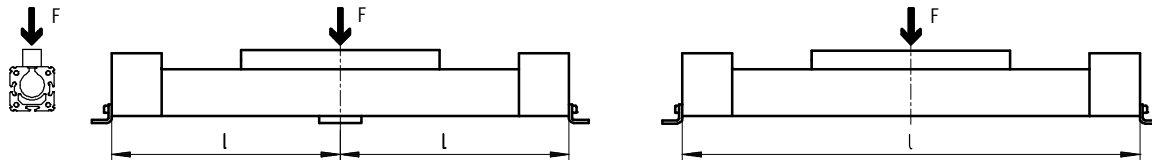
Spindle axes DGE-SP

Technical data

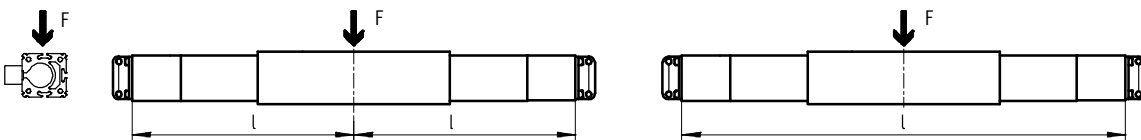
Maximum permissible support span l as a function of the force F

The axis may need to be supported with central supports in order to restrict deflection with long stroke lengths. The following diagrams serve to determine the maximum permissible support span l as a function of the force acting upon the axis F .

1 Force on the surface of the driver

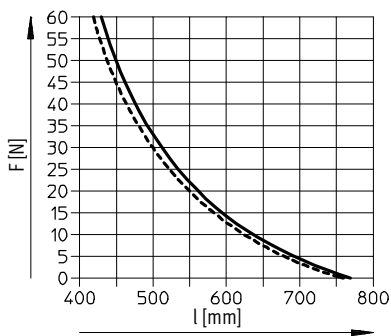


2 Force on the front of the driver

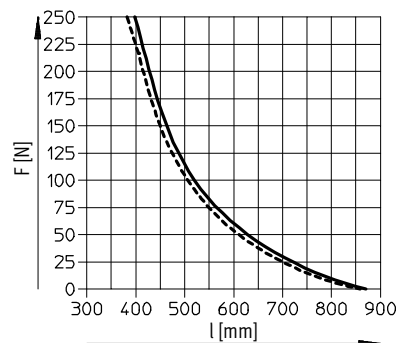


Maximum permissible support span l (without central support) as a function of the force F

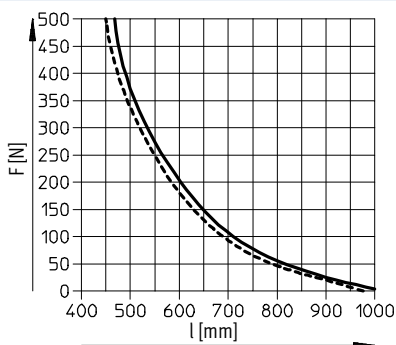
DGE-18



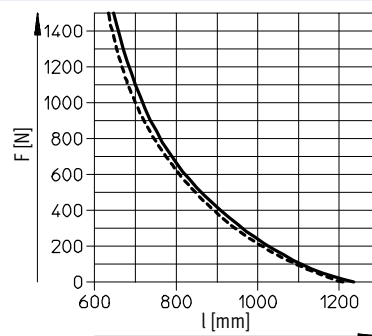
DGE-25



DGE-40



DGE-63



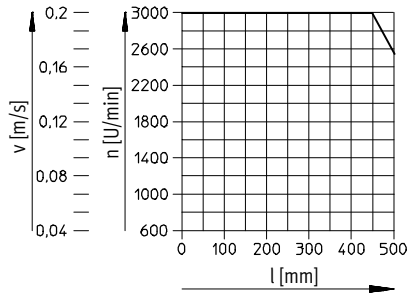
— 1
 - - - 2

Spindle axes DGE-SP

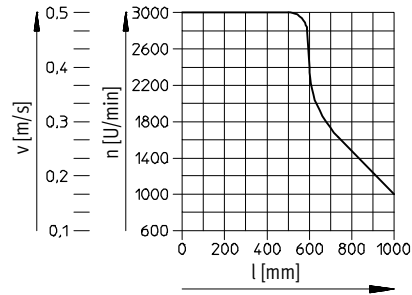
Technical data

Maximum permissible speed v or drive rpm n as a function of the stroke l

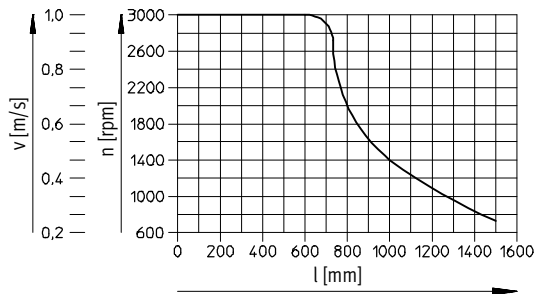
DGE-18



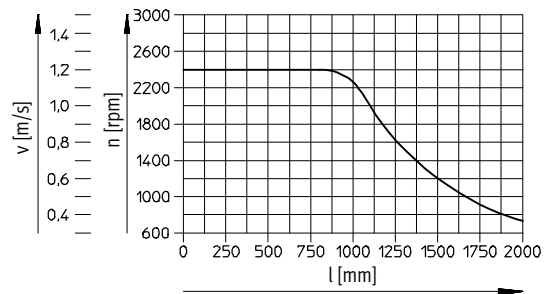
DGE-25



DGE-40



DGE-63



- 1 - Type discontinued
Available up until 2019

Spindle axes DGE-SP

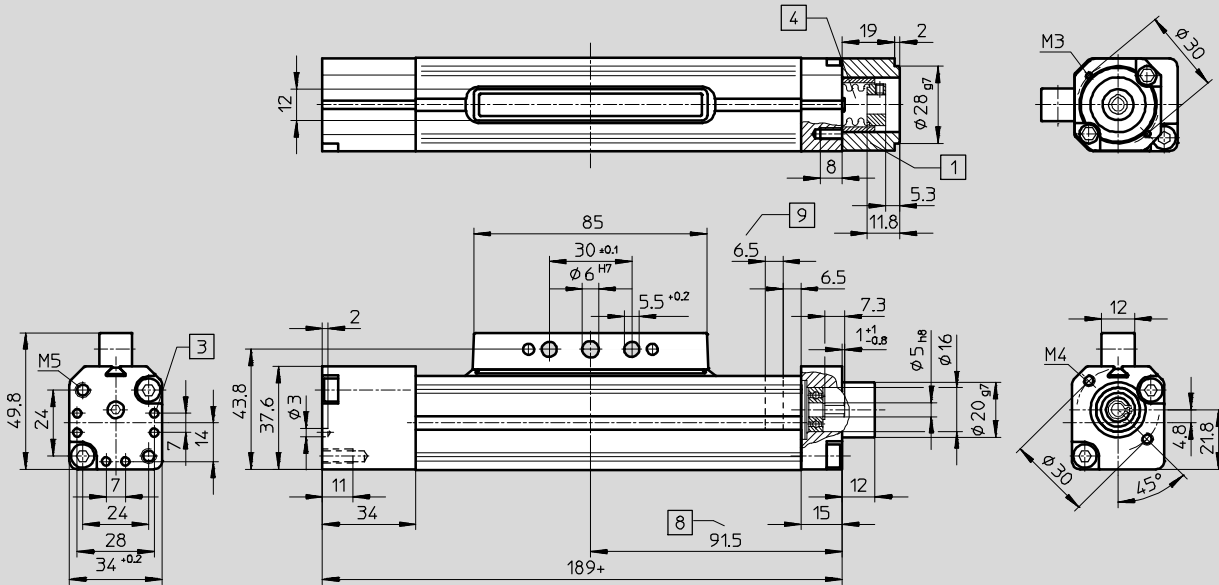
Technical data

FESTO

Dimensions

Download CAD data → www.festo.com

Size 18



- 1 Coupling housing
- 3 Centring hole for foot mounting HP

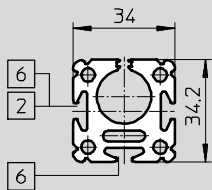
- 4 Coupling
- 8 Driver in end position of working stroke (stroke reserve up to mechanical stop still present)

- 9 Stroke reserve → page 10

+ = plus stroke length

Profile

Size 18



- 2 Sensor slot for proximity sensor
- 6 Mounting slot for slot nut NST

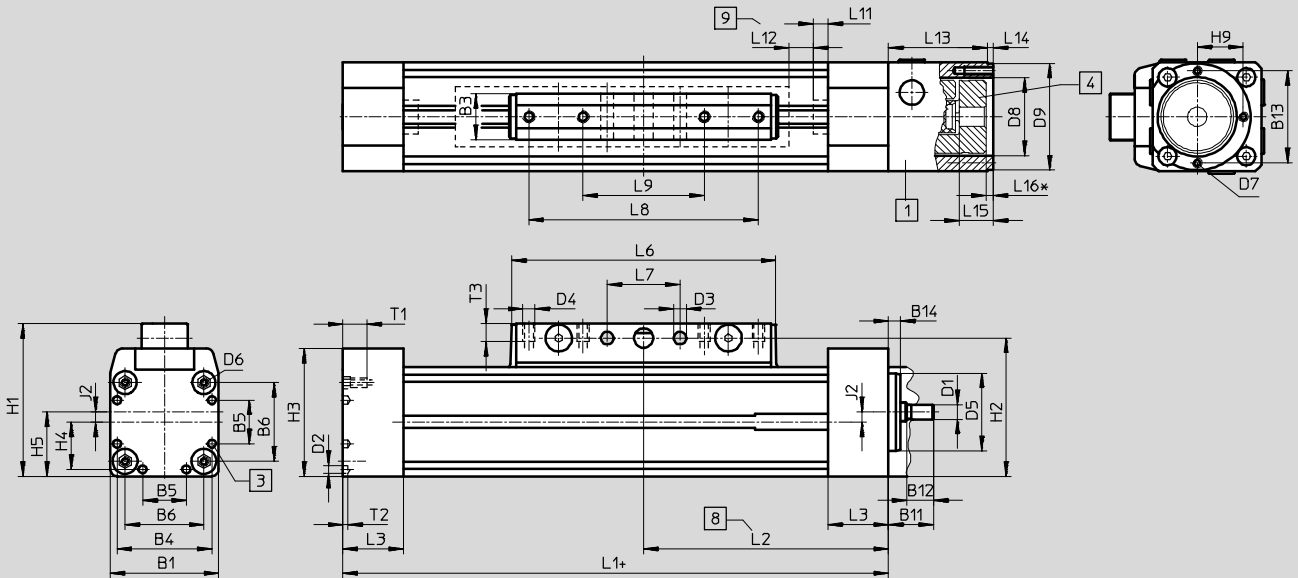
Spindle axes DGE-SP

Technical data

Dimensions

Download CAD data → www.festo.com

Size 25 ... 63



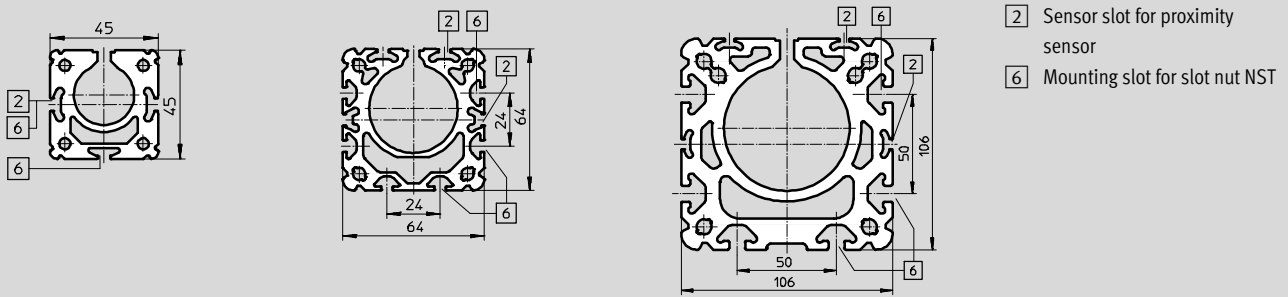
- 1 Coupling housing
- 3 Centring hole for foot mounting HP
- 4 Coupling
- 8 Driver in end position of working stroke (stroke reserve up to mechanical stop still present)
- 9 Stroke reserve → page 10
- + = plus stroke length

Profile

Size 25

Size 40


Size 63



Size	B1	B3 +0.2	B4	B5	B6	B11	B12	B13	B14	D1 ∅ h6	D2 ∅	D3 ∅ +0.2	D4	D5 ∅ g7	D6	D7	D8 ∅	D9 ∅ g7	H1	H2	H3
25	45	19	39.1	18	32.5	18.5	11	38	4	6	3.3	5.2	M5	32	M4	M4	32	44	63	57	52.8
40	64	21	53	28	49	22.5	12	38	5	12	4.4	6.5	M6	48	M5	M4	32	44	86	78	71.8
63	106	24	89	44	83	47.5	25	56	7	20	6.4	8.5	M8	72	M8	M6	48	64	131	122	115

Size	H4	H5	H9	J2	L1	L2	L3	L6	L7	L8	L9	L11	L12	L13	L14	L15	L16 ¹⁾	T1	T2	T3	
25	19.6	26.5	19	4	213	101.5	25	109	30	±0.1	±0.1	±0.1	6	10	43	2.5	14	3	13	2	7.5
40	26.5	37	19	5	315	153	31	171	70	130	40	7	20	46	3	14.5	3.5	13	3	10.5	
63	44.5	61	28	8	410	200	36	234	110	190	70	9	30	83	4	23	-2	21	4	12.5	

1) Negative dimension: Protrudes beyond coupling housing

-  - Type discontinued
Available up until 2019

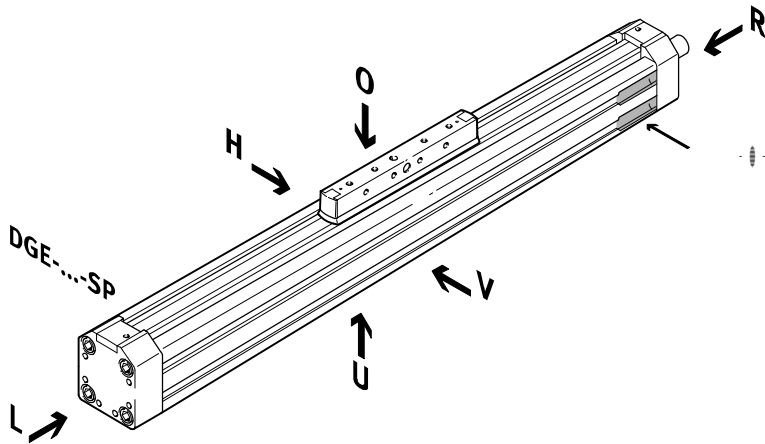
Spindle axes DGE-SP


Ordering data – Modular products

FESTO

Order code

Mandatory data



-  - Note

The insertion point for the proximity sensor is located on the right-hand side of the spindle axis DGE-...-SP

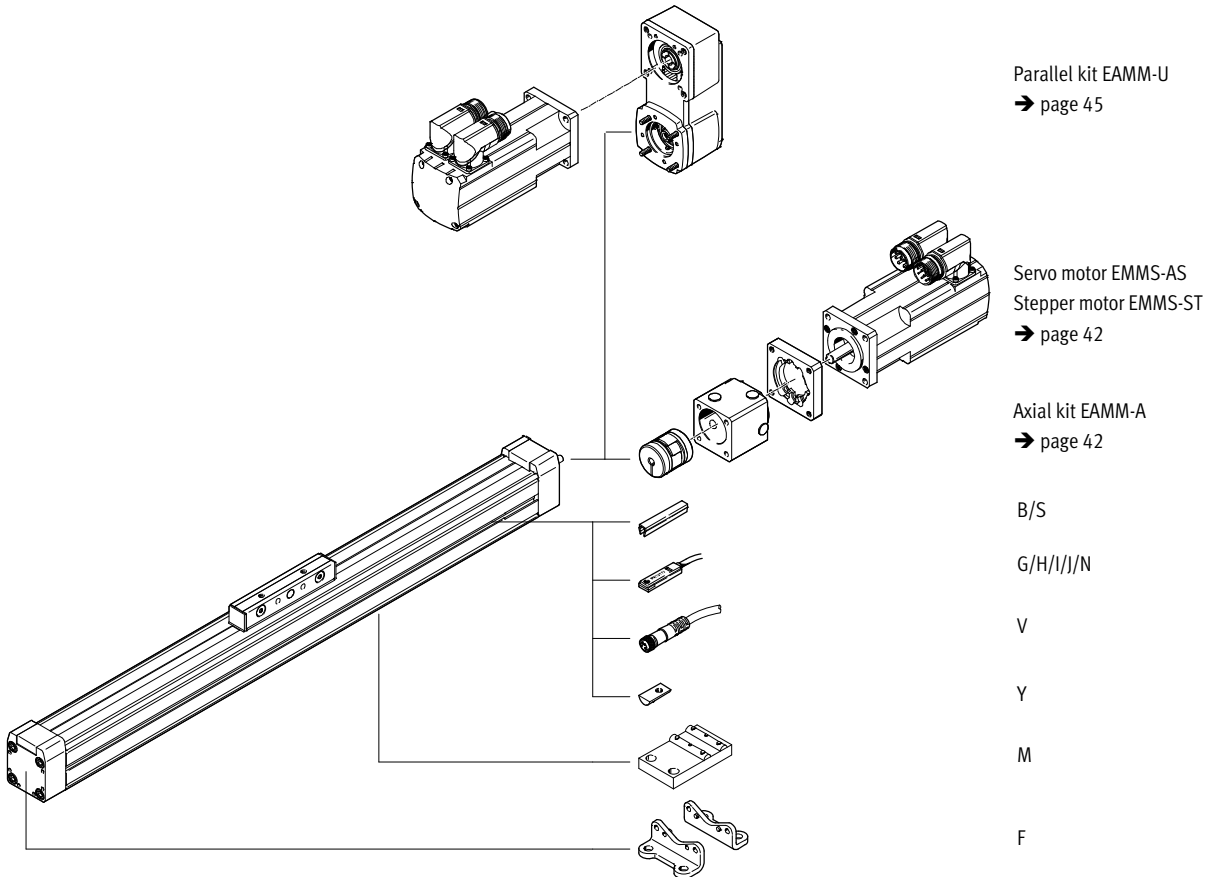
O top
U underneath
V front
H rear
R right
L left

Spindle axes DGE-SP

Ordering data – Modular products

Order code

Options



- 1 - Type discontinued
Available up until 2019

FESTO

Spindle axes DGE-SP

Ordering data – Modular products

Ordering table							
Size	18	25	40	63	Condi- tions	Code	Enter code
M Module No.	193745	193746	193747	193748			
Design	Electromechanical linear axis					DGE	DGE
Size	18	25	40	63		-...	
Stroke [mm]	100, 200, 300, 400, 500	100, 200, 300, 400, 500, 600, 700, 800, 900, 1000	200, 300, 400, 500, 600, 800, 1000, 1200, 1400, 1500	300, 400, 500, 600, 800, 1000, 1200, 1400, 1500, 1800, 2000		-...	
	-	1 ... 990	1 ... 1487	1 ... 1982			
Drive function	Electromechanical drive with ball screw					-SP	-SP

M Mandatory data

O Options

Transfer order code

DGE - - - **SP**

- 1 - Type discontinued
Available up until 2019

FESTO

Spindle axes DGE-SP

Ordering data – Modular products

Ordering table		18	25	40	63	Condi- tions	Code	Enter code		
Size										
↓ Accessories	Supplied separately							ZUB-	ZUB-	
⓪ Slot cover	Sensor slot	1 ... 10							...S	
	Mounting slot	-	-	1 ... 10				...B		
	Slot nut for mounting slot	1 ... 10							...Y	
	Central support	1 ... 10							...M	
	Foot mounting (kit)	1 ... 10							...F	
	Proximity sensor with cable, 2.5 m	1 ... 10							...G	
	with plug	1 ... 10							...H	
	contactless with cable, 2.5 m	1 ... 10							...I	
	contactless, plug	1 ... 10							...J	
	NC contact with cable, 2.5 m	1 ... 10							...N	
	Cable with socket, 2.5 m	1 ... 10							...V	

Mandatory data

Options

Transfer order code

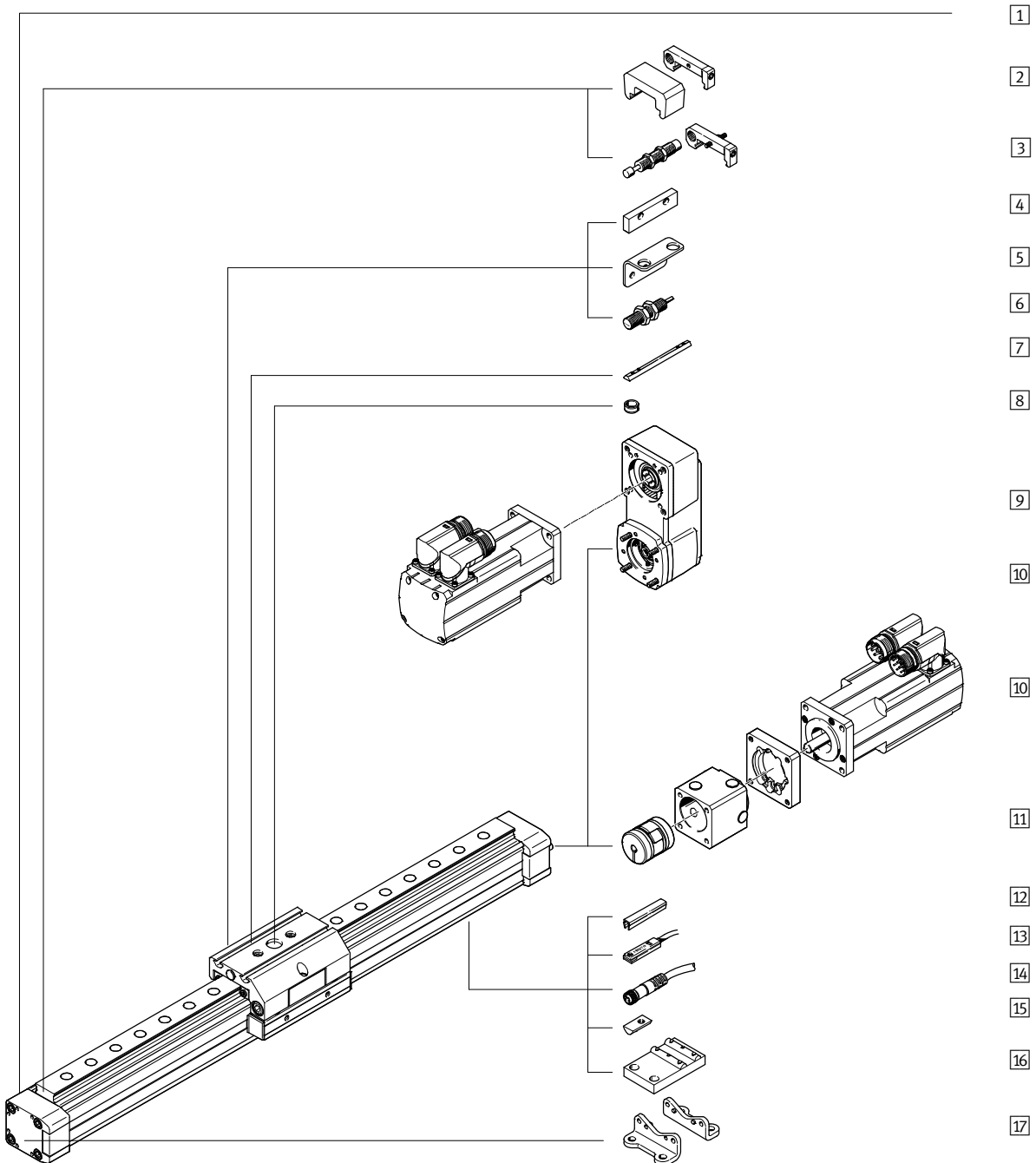
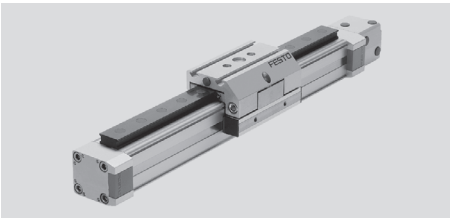
ZUB - -

- 1 - Type discontinued
Available up until 2019

Spindle axes DGE-SP-KF, with recirculating ball bearing guide

Peripherals overview

FESTO



Spindle axes DGE-SP-KF, with recirculating ball bearing guide

Peripherals overview

Variants and accessories					
Type	Description	GK/GV	GA	→ Page/Internet	
1	Spindle axis DGE-SP-KF	Electromechanical axis with spindle and recirculating ball bearing guide	■	■	22
2	Emergency buffer with retainer ¹⁾ A	For avoiding damage at the end stop in the event of malfunction	■	■	48
3	Shock absorber kit C	For avoiding damage at the end stop in the event of malfunction	■	-	47
3	Shock absorber kit E	For avoiding damage at the end stop in the event of malfunction	-	■	48
4	Switching lug L	For sensing the slide position	■	-	49
5	Sensor bracket T	Adapter for mounting the inductive proximity sensors on the axis	■	-	49
6	Inductive proximity sensor O/P/R/W	For use as a signal generator and safety monitoring	■	-	52
7	Slot nut for slide X	For mounting loads and attachments on the slide	■	■	51
8	Centring pins/sleeves Z	For centring loads and attachments on the slide	■	■	51
9	Parallel kit EAMM-U	For parallel motor attachment (consisting of: housing, Clamping component, clamping sleeve, toothed belt gearwheel, toothed belt)	■	■	45
10	Motor EMMS	Motors specially matched to the axis, with or without gearing, with or without brake	■	■	42
11	Axial kit EAMM-A	For axial motor attachment (consisting of: coupling housing, clamping component, motor flange)	■	■	42
12	Slot cover B/S	For protecting against the ingress of dirt	■	■	51
13	Proximity sensor G/H/I/J/N	For use as a signal or safety check	■	■	52
14	Cable with socket V	For proximity sensors	■	■	52
15	Slot nut for mounting slot Y	For mounting attachments	■	■	51
16	Central support M	For mounting the axis	■	■	46
17	Foot mounting F	For mounting the axis	■	■	46

1) Fitted as standard for GV and GA.

- 1 - Type discontinued
Available up until 2019

FESTO

Spindle axes DGE-SP-KF, with recirculating ball bearing guide

Type code

	DGE	-	25	-	500	-	SP	-	KF	-	GK	-	SV	-	
Type															
DGE	Spindle axis														
Size															
Stroke [mm]															
Drive function															
SP	Spindle														
Guide															
KF	Recirculating ball bearing guide														
Slide															
GK	Standard slide														
GV	Extended slide														
GA	Protected version														
Slide attachment position															
SV	At front														
SH	At rear														
Additional slide															
KL	Left														
KR	Right														

Spindle axes DGE-SP-KF, with recirculating ball bearing guide

Type code

		+ ZUB	- 2S	-	- M	- F			Z	2H	2V			
Accessories														
ZUB	Accessories supplied loose													
Slot cover														
...S	Sensor slot													
...B	Mounting slot													
Slot nut														
...Y	For mounting slot													
...X	For slide													
Central support														
...M	Central support													
Foot mounting														
...F	Foot mounting													
Emergency buffer and retainer														
...A	Emergency buffer													
Shock absorber kit														
...C	Plus retainer for GK/GV													
...E	For GA													
Centring sleeve														
...Z	For slide													
Proximity sensor														
...G	With cable, 2.5 m													
...H	With plug													
...I	Contactless with cable, 2.5 m													
...J	Contactless, plug													
...N	NC contact with cable, 2.5 m													
Cable with socket														
...V	2.5 m													
Sensor bracket														
...T	For inductive proximity sensors													
Switching lug														
L	Switching lug													
Inductive sensor														
...O	NO contact, cable													
...P	NC contact, cable													
...W	NO contact, plug													
...R	NC contact, plug													

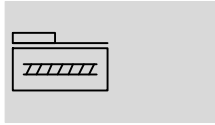
-  - Type discontinued
Available up until 2019

Spindle axes DGE-SP-KF, with recirculating ball bearing guide

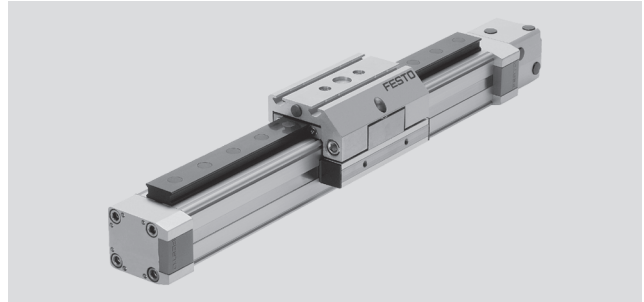
FESTO



Technical data

Function



 www.festo.com



-  - Size
18 ... 63
-  - Stroke length
100 ... 2000 mm

General technical data			18	25	40	63
Size			18	25	40	63
Constructional design			Electromechanical axis with spindle and recirculating ball bearing guide			
Guide			Recirculating ball bearing guide			
Mounting position			Any			
Max. working stroke ¹⁾	GK [mm]		100 ... 500	100 ... 1000 ⁴⁾	200 ... 1500 ⁴⁾	300 ... 2000 ⁴⁾
	GV [mm]		110 ... 410	170 ... 870 ⁴⁾	170 ... 1270 ⁴⁾	150 ... 1650 ⁴⁾
	GA [mm]		–	170 ... 970 ⁴⁾	140 ... 1440 ⁴⁾	–
Max. working load	[kg]		6	25	50	150
Max. feed force F_x	[N]		140	250	600	1600
Max. driving torque	[Nm]		0.1	0.45	2.1	8.5
Max. no-load driving torque	[Nm]		0.04 ²⁾	0.15 ³⁾	0.33 ³⁾	1.15 ³⁾
Max. radial force ⁴⁾	[N]		40	75	250	800
Max. speed ⁵⁾	[m/s]		0.2	0.5	1	1.2
Max. acceleration	[m/s ²]		6			
Repetition accuracy	[mm]		±0.02			

- 1) Total stroke = working stroke + 2x stroke reserve → page 28
- 2) Measured at a speed of 0.05 m/s
- 3) Measured at a speed of 0.2 m/s
- 4) On drive shaft
- 5) The maximum speed is dependent on the stroke length → page 30

Operating and environmental conditions		18	25	40	63
Size		18	25	40	63
Ambient temperature	[°C]	0 ... +40			
Protection class		IP40			

Weights [kg]		18	25	40	63
Basic weight with 0 mm stroke ¹⁾	GK	1	2.1	6.4	18.1
	GV	1.52	3.26	10.04	32.2
	GA	–	3.1	8.97	–
Additional weight per 100 mm stroke	GK	0.3	0.56	1.14	3.31
	GV	0.3	0.56	1.14	3.31
	GA	–	0.65	1.26	–
Moving load	GK	0,45	0,68	1,82	5,38
	GV	0,61	0,94	2,54	7,84
	GA	–	1,24	3,19	–
Additional slide	KL/KR	0.25	0.38	1.06	3.1

- 1) Including coupling housing and slide

Spindle axes DGE-SP-KF, with recirculating ball bearing guide

Technical data

Mass moment of inertia			18	25	40	63
Size						
J_0	GK	[kg cm ²]	0.008	0.04	0.48	3.88
	GV	[kg cm ²]	0.0117	0.0617	0.782	6.77
	GA	[kg cm ²]	-	0.0573	0.678	-
J_H per metre stroke		[kg cm ² /m]	0.031	0.121	1	6.67
J_L per kg working load		[kg cm ² /kg]	0.005	0.025	0.101	0.228
J_W for additional slide		[kg cm ²]	0.001	0.0096	0.107	0.707

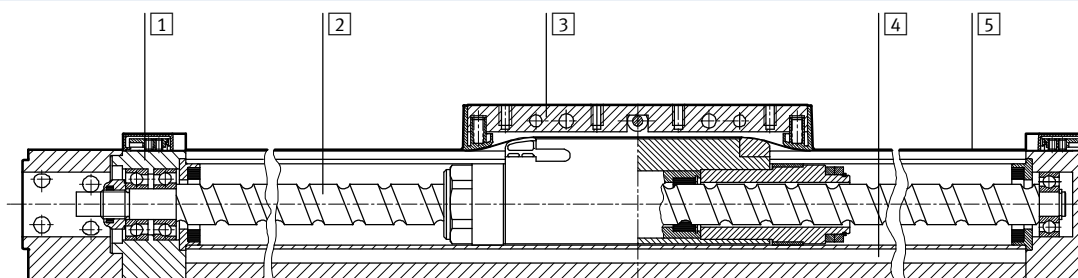
The mass moment of inertia J_A of the entire axis is calculated as follows:

$$J_A = J_0 + J_H \times \text{working stroke [m]} + J_L \times m_{\text{working load [kg]}}$$


Spindle		18	25	40	63
Size					
Diameter	[mm]	8	12	20	32
Pitch	[mm/rev.]	4	10	20	30

Materials

Sectional view



Axis		
1	End cap	Wrought aluminium alloy, anodised
2	Spindle	Rolled steel
3	Slide	Wrought aluminium alloy, anodised
4	Profile	Wrought aluminium alloy, anodised
5	Cover strip	Corrosion resistant steel

-  - Type discontinued
Available up until 2019

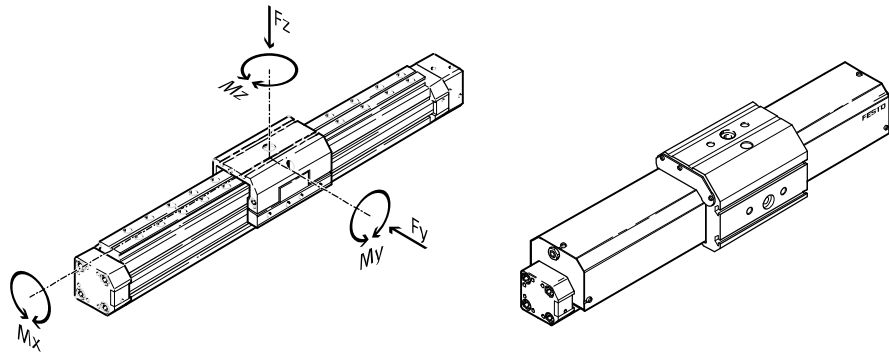
Spindle axes DGE-SP-KF, with recirculating ball bearing guide

Technical data

FESTO

Characteristic load values for axis with standard slide GK or protected version GA

The indicated forces and torques refer to the centre of the guide rail. They must not be exceeded in the dynamic range. Special attention must be paid to the cushioning phase.

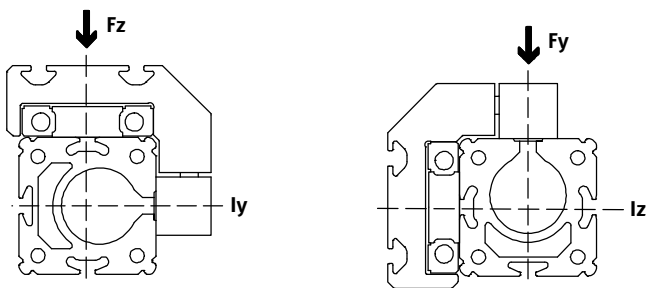


If the drive is subjected to more than two of the indicated forces and torques simultaneously, the following equations must be satisfied in addition to the indicated maximum loads:

$$\frac{F_y}{F_{y_{\max}}} + \frac{F_z}{F_{z_{\max}}} + \frac{M_x}{M_{x_{\max}}} + \frac{M_y}{M_{y_{\max}}} + \frac{M_z}{M_{z_{\max}}} \leq 1$$

Permissible forces and torques GK/-GA		18	25	40	63
Size		18	25	40	63
$F_{y_{\max}}$	[N]	930	3080	7300	14050
$F_{z_{\max}}$	[N]	930	3080	7300	14050
$M_{x_{\max}}$	[Nm]	7	45	170	580
$M_{y_{\max}}$	[Nm]	23	85	330	910
$M_{z_{\max}}$	[Nm]	23	85	330	910

2nd moment of area



Size		18	25	40	63
I_y	[mm ⁴]	172.3x10 ³	551x10 ³	1908x10 ³	13677x10 ³
I_z	[mm ⁴]	73.7x10 ³	250x10 ³	875x10 ³	6987x10 ³

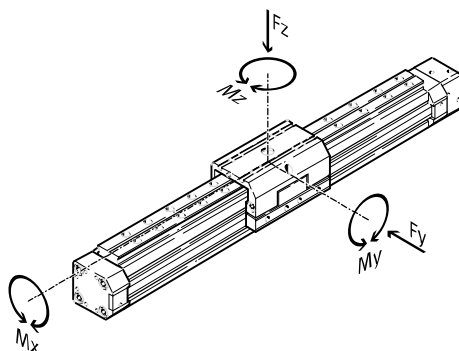
-  - Note
Sizing software
PositioningDrives
→ www.festo.com

Spindle axes DGE-SP-KF, with recirculating ball bearing guide

Technical data

Characteristic load values for axis with extended slide GV

The indicated forces and torques refer to the centre of the guide rail. They must not be exceeded in the dynamic range. Special attention must be paid to the cushioning phase.

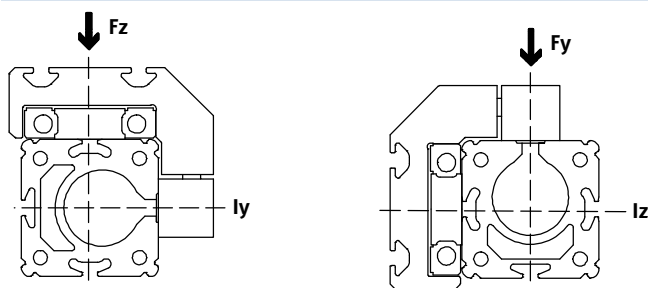


If the drive is subjected to more than two of the indicated forces and torques simultaneously, the following equations must be satisfied in addition to the indicated maximum loads:

$$\frac{F_y}{F_{y_{\max}}} + \frac{F_z}{F_{z_{\max}}} + \frac{M_x}{M_{x_{\max}}} + \frac{M_y}{M_{y_{\max}}} + \frac{M_z}{M_{z_{\max}}} \leq 1$$

Permissible forces and torques					
Size		18	25	40	63
F _y _{max.}	[N]	930	3080	7300	14050
F _z _{max.}	[N]	930	3080	7300	14050
M _x _{max.}	[Nm]	7	45	170	580
M _y _{max.}	[Nm]	45	170	660	1820
M _z _{max.}	[Nm]	45	170	660	1820

2nd moment of area



Size		18	25	40	63
ly	[mm ⁴]	172.3x10 ³	551x10 ³	1908x10 ³	13677x10 ³
lz	[mm ⁴]	73.7x10 ³	250x10 ³	875x10 ³	6987x10 ³

Spindle axes DGE-SP-KF, with recirculating ball bearing guide

Technical data

FESTO

Stroke reserve

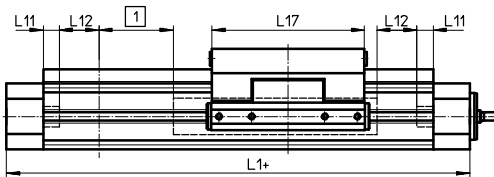
L11 Internal mechanical stop
 L1+ Overall length of axis
 L17 Slide length

1 The working stroke is the effective usable work range. Please quote this in your order.

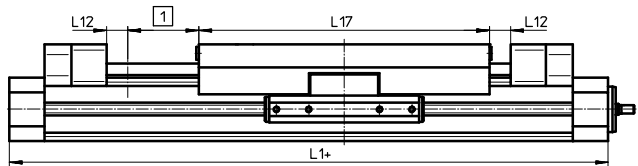
L12 The stroke reserve is a safety distance available on both sides of the axis in addition to the stroke.

Example:
 Type DGE-25-500-SP
 Working stroke = 500 mm
 Stroke reserve = (2x 10 mm)
 = 20 mm
 Total stroke:
 520 mm = 500 mm + 20 mm

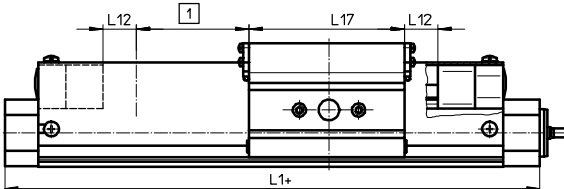
for standard slide GK



for extended slide GV



for protected version GA

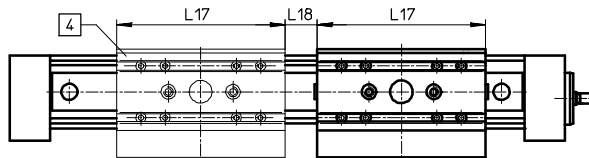


Stroke reserve L12 [mm] per end position

Size Variant	18	25	40	63
Standard slide GK	6.5	10	20	30
Extended slide GV	3.5	0	1	0
Protected version GA	-	0	1	-

Working stroke reduction with standard slide GK or extended slide GV and additional slide KL/KR

L17 = Slide/additional slide length
 L18 = Distance between both slides
4 Additional slide

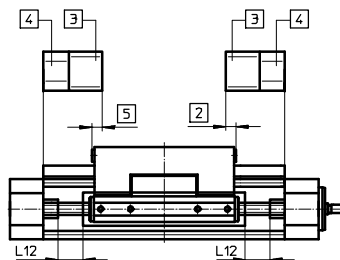


For a spindle axis with additional slide, the working stroke is reduced by the length of the additional slide and the distance between both slides.

Example:
 Type DGE-25-500-SP-...-KF-GK-KL
 Working stroke without additional slide = 500 mm
 L18 = 20 mm
 L17 = 105 mm
 Working stroke with additional slide = 375 mm
 (500 mm - 20 mm - 105 mm)

Working stroke reduction with standard slide GK with optional emergency buffer

2 Reduction of working stroke
5 Reduction of working stroke
3 Emergency buffer
4 Shock absorber retainer
 L12 Stroke reserve



For a spindle axis with optional emergency buffer, the working stroke is reduced, as the stroke reserve is smaller than the overall dimensions of the emergency buffer and shock absorber retainer. The working stroke reduction varies depending on the size of the axis.

		18	25	40	63
2	[mm]	-5	20	33.5	55
5	[mm]	8	10	24.5	45

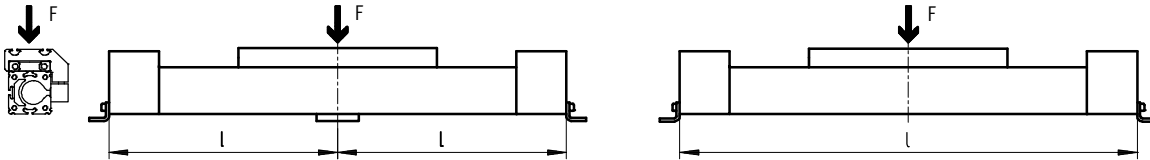
Spindle axes DGE-SP-KF, with recirculating ball bearing guide

Technical data

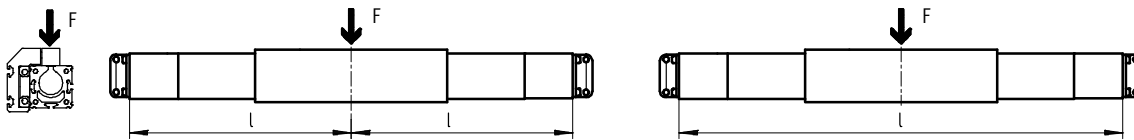
Maximum permissible support span l as a function of the force F

The axis may need to be supported with central supports in order to restrict deflection with long stroke lengths. The following diagrams serve to determine the maximum permissible support span l as a function of the force acting upon the axis F .

1 Force on the surface of the slide

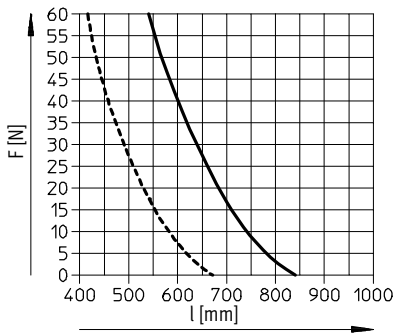


2 Force on the front of the slide

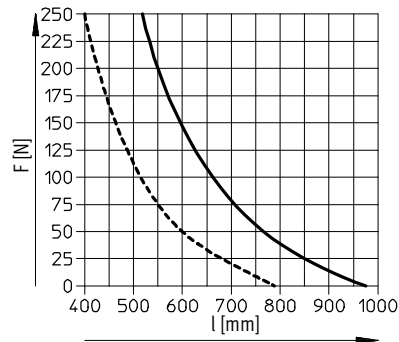


Maximum permissible support span l (without central support) as a function of the force F

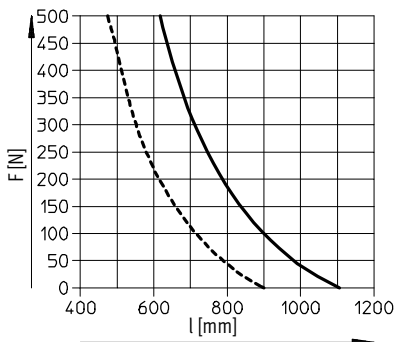
DGE-18



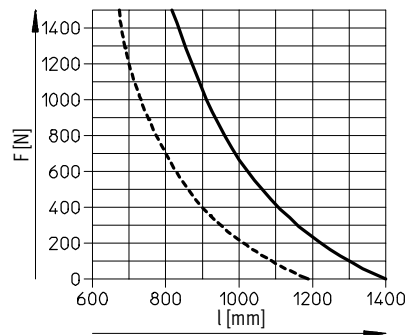
DGE-25



DGE-40



DGE-63



— 1
- - - 2

-  - Type discontinued
Available up until 2019

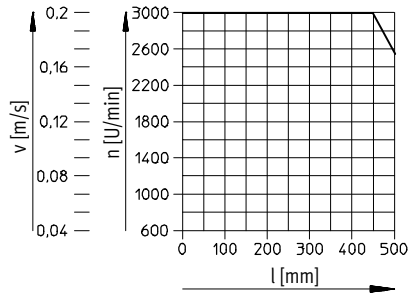
Spindle axes DGE-SP-KF, with recirculating ball bearing guide

FESTO

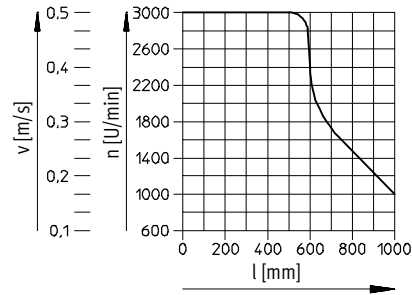
Technical data

Maximum permissible speed v or drive rpm n as a function of the stroke l

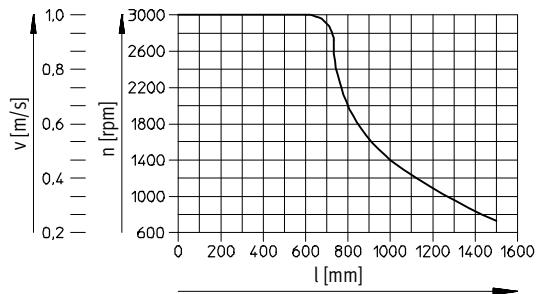
DGE-18



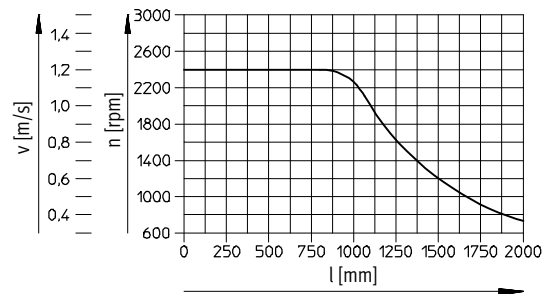
DGE-25



DGE-40



DGE-63



Spindle axes DGE-SP-KF, with recirculating ball bearing guide

FESTO

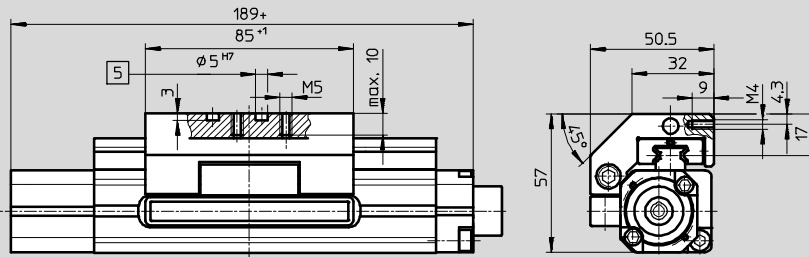
Technical data

Dimensions

Download CAD data → www.festo.com

Standard slide GK

Size 18



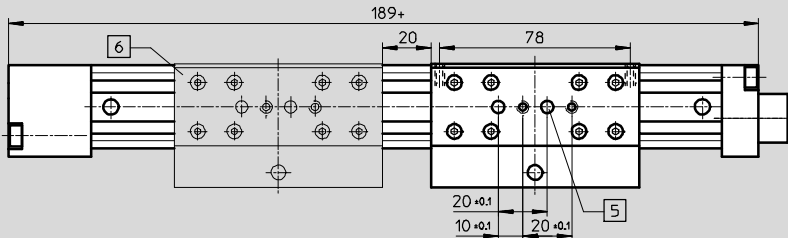
- 5 Hole for centring pin ZBS-5
- + = plus stroke length

Basic dimensions

- 14
- Stroke reserve
- 28

Additional slide KL/KR

Size 18



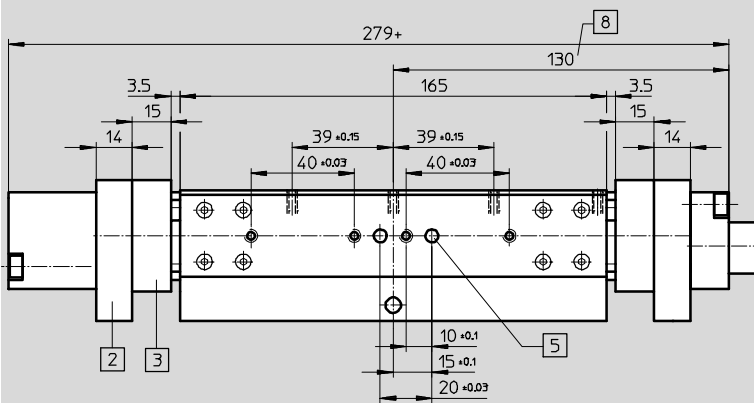
- 5 Hole for centring pin ZBS-5
- 6 Additional slide
- DGE-18-...-KL/KR
- + = plus stroke length

Reduction of working stroke

- page 28

Extended slide GV

Size 18



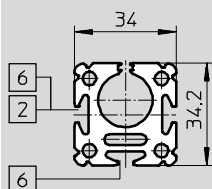
- 2 Shock absorber retainer KYP
- 3 Emergency buffer NPE
- 5 Hole for centring pin ZBS-5
- 8 Driver in end position of working stroke (stroke reserve up to mechanical stop still present)
- + = plus stroke length

Stroke reserve


- page 28

Profile

Size 18



- 2 Sensor slot for proximity sensor
- 6 Mounting slot for slot nut NST

-  - Type discontinued
Available up until 2019

Spindle axes DGE-SP-KF, with recirculating ball bearing guide

Technical data

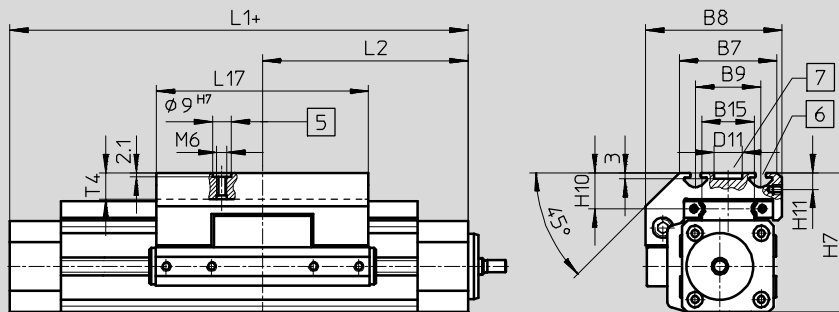
FESTO

Dimensions

Standard slide GK

Download CAD data → www.festo.com

Size 25 ... 63



- 5 Hole for centring sleeve ZBH-9
 - 6 Mounting slot for slot nut NSTL
 - 7 Hole for central mounting SLZZ
- + = plus stroke length

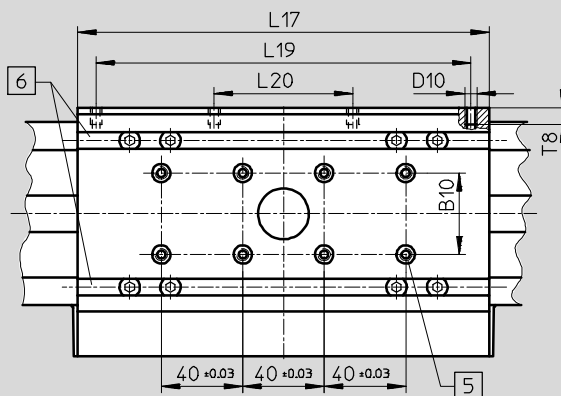
Basic dimensions

→ 15

Stroke reserve

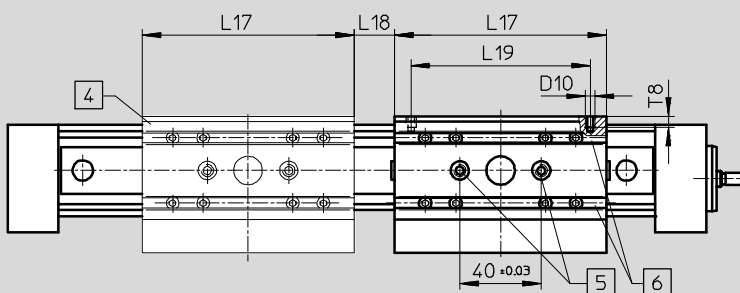
→ 28

Size 40/63



- 5 Hole for centring sleeve ZBH-9
 - 6 Mounting slot for slot nut NSTL
- + = plus stroke length

Size 25 ... 63



- 4 Additional slide
DGE-...-...-KL/KR
 - 5 Hole for centring sleeve ZBH-9
 - 6 Mounting slot for slot nut NSTL
- + = plus stroke length

Reduction of working stroke

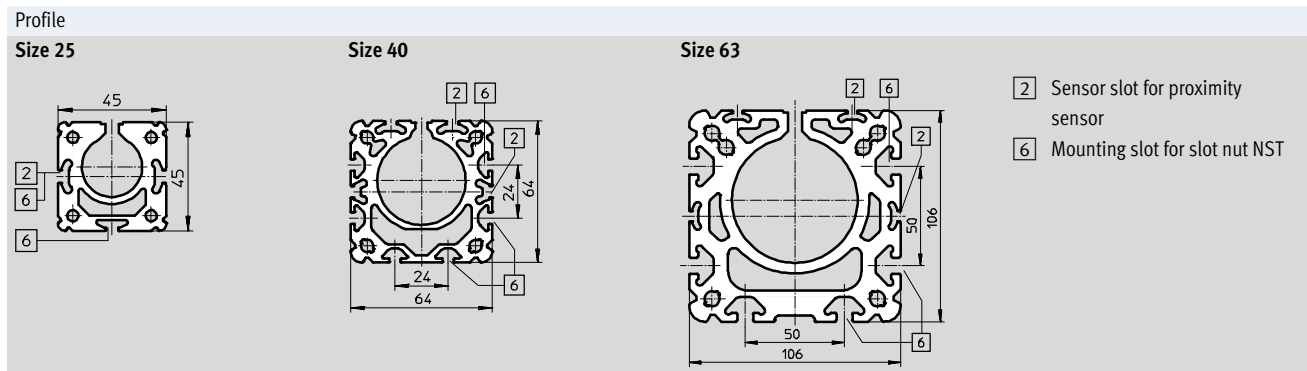
→ page 28

- 2 - Type discontinued
Available up until 2019

Spindle axes DGE-SP-KF, with recirculating ball bearing guide

FESTO


Technical data



Size	B7	B8	B9 ±0.2	B10	B15	D10	D11 ∅ G7	H7	H10
25	48	67	32	–	23.5	M5	14	68.5	18.5
40	78.5	96.5	55	20	42	M5	25	90.5	20
63	121	142	90	40	71	M8	25	144.5	30

Size	H11	L1	L2	L17	L18 ¹⁾	L19 ±0.1	L20 ±0.1	T4 max.	T8
25	8.2	213	101.5	105	20	88	–	12.5	8.5
40	7	315	153	167	20	150	58	12.5	8.5
63	12.5	410	200	230	27	200	72	20.5	10.5

1) Recommended minimum distance for access to lubrication nipple

-  - Type discontinued
Available up until 2019

Spindle axes DGE-SP-KF, with recirculating ball bearing guide

Technical data

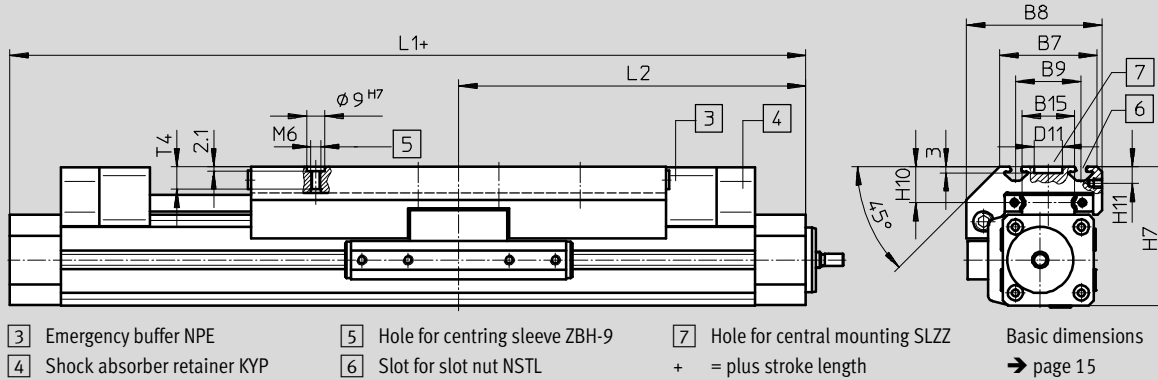
FESTO

Dimensions

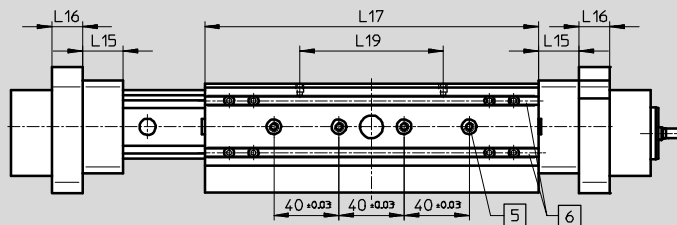
Download CAD data → www.festo.com

Extended slide GV

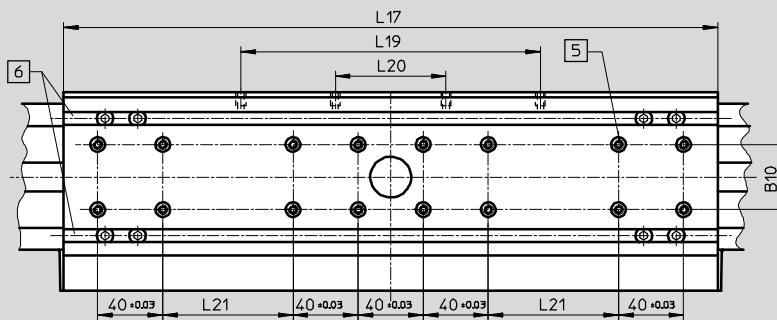
Size 25 ... 63



Size 25



Size 40/63



- 1 - Type discontinued
Available up until 2019


Spindle axes DGE-SP-KF, with recirculating ball bearing guide

FESTO

Technical data

Size	B7	B8	B9 ±0.2	B10	B15	D10	D11 ∅ G7	H7	H10	H11
25	48	67	32	–	23.5	M5	14	68.5	18.5	8.2
40	78.5	96.5	55	20	42	M5	25	90.5	20	7
63	121	142	90	40	71	M8	25	144.5	30	12.5

Size	L1	L2	L15	L16	L17 ±0.2	L19 ±0.1	L20 ±0.1	L21 ±0.1	T4 max.	T8
25	343	171.5	25	19	205	88	–	–	12.5	8.5
40	545	271.5	40	32	337	150	58	40	12.5	8.5
63	760	380	60	44	480	200	72	120	20.5	10.5

-  - Type discontinued
Available up until 2019

Spindle axes DGE-SP-KF, with recirculating ball bearing guide

FESTO

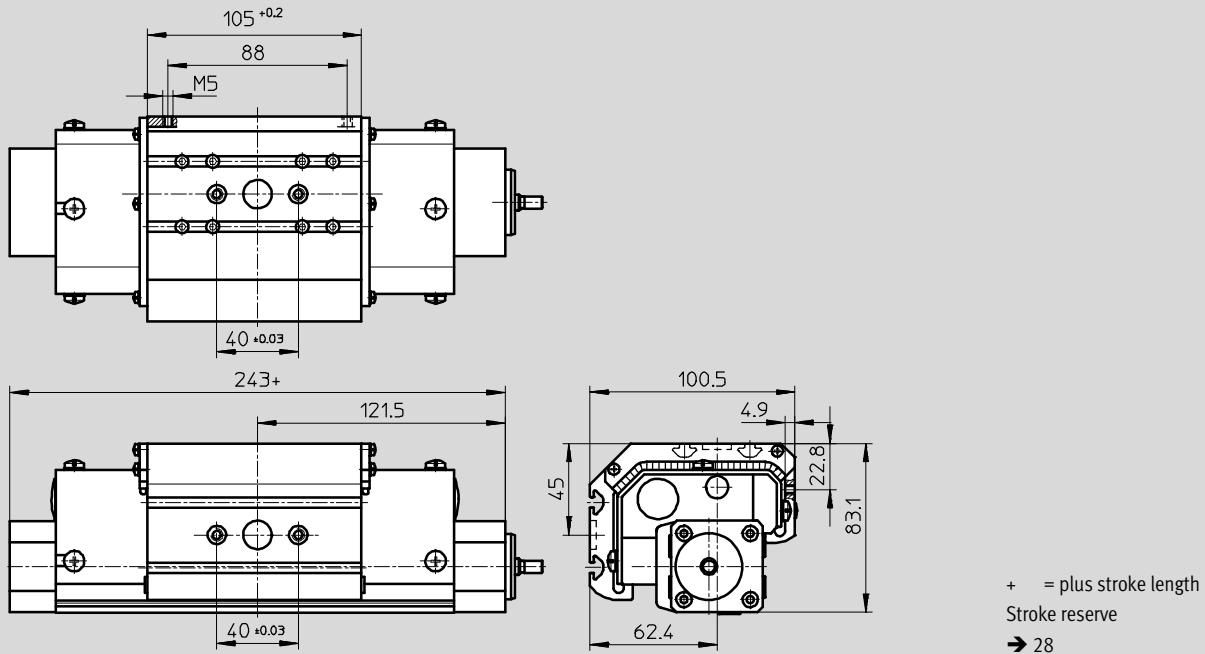
Technical data

Dimensions

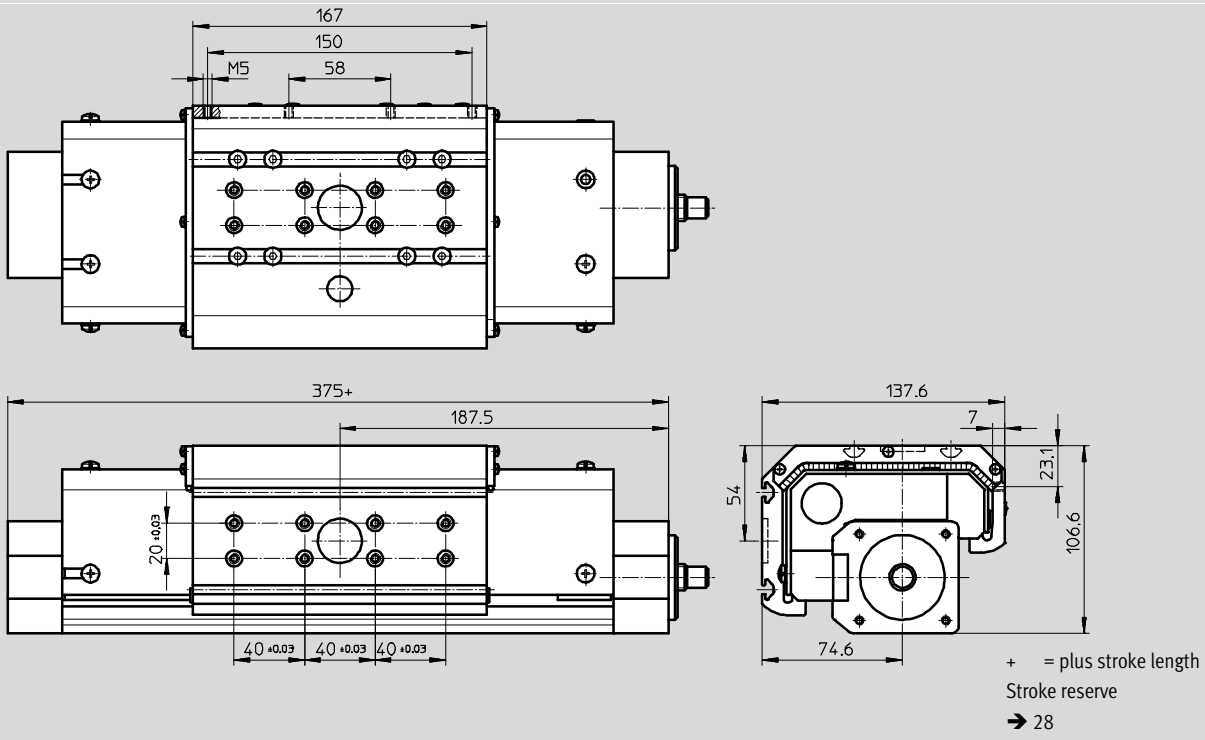
Download CAD data → www.festo.com

Protected version GA

Size 25



Size 40



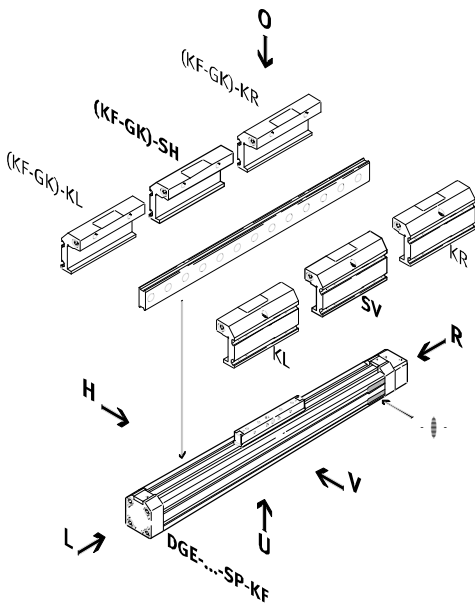
Spindle axes DGE-SP-KF, with recirculating ball bearing guide

Ordering data – Modular products

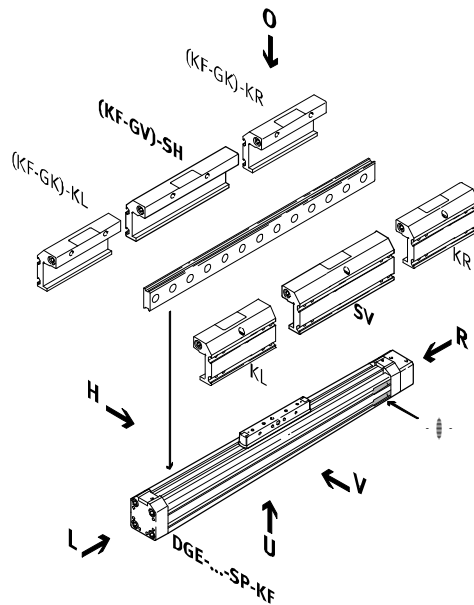
Order code

Mandatory data


Standard slide GK



Extended slide GV

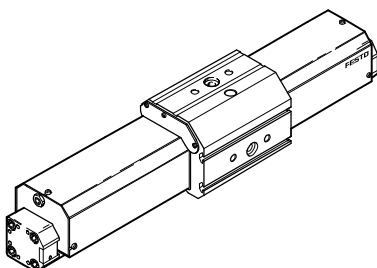


- KF Recirculating ball bearing guide
- KL Additional slide at left
- KR Additional slide at right
- SV Slide at front
- SH Slide at rear

-  - Note
The insertion point for the proximity sensor is located on the right-hand side of the spindle drive
DGE-...-SP-KF

- U = underneath
- O = top
- R = right
- L = left
- V = front
- H = rear

Protected version GA

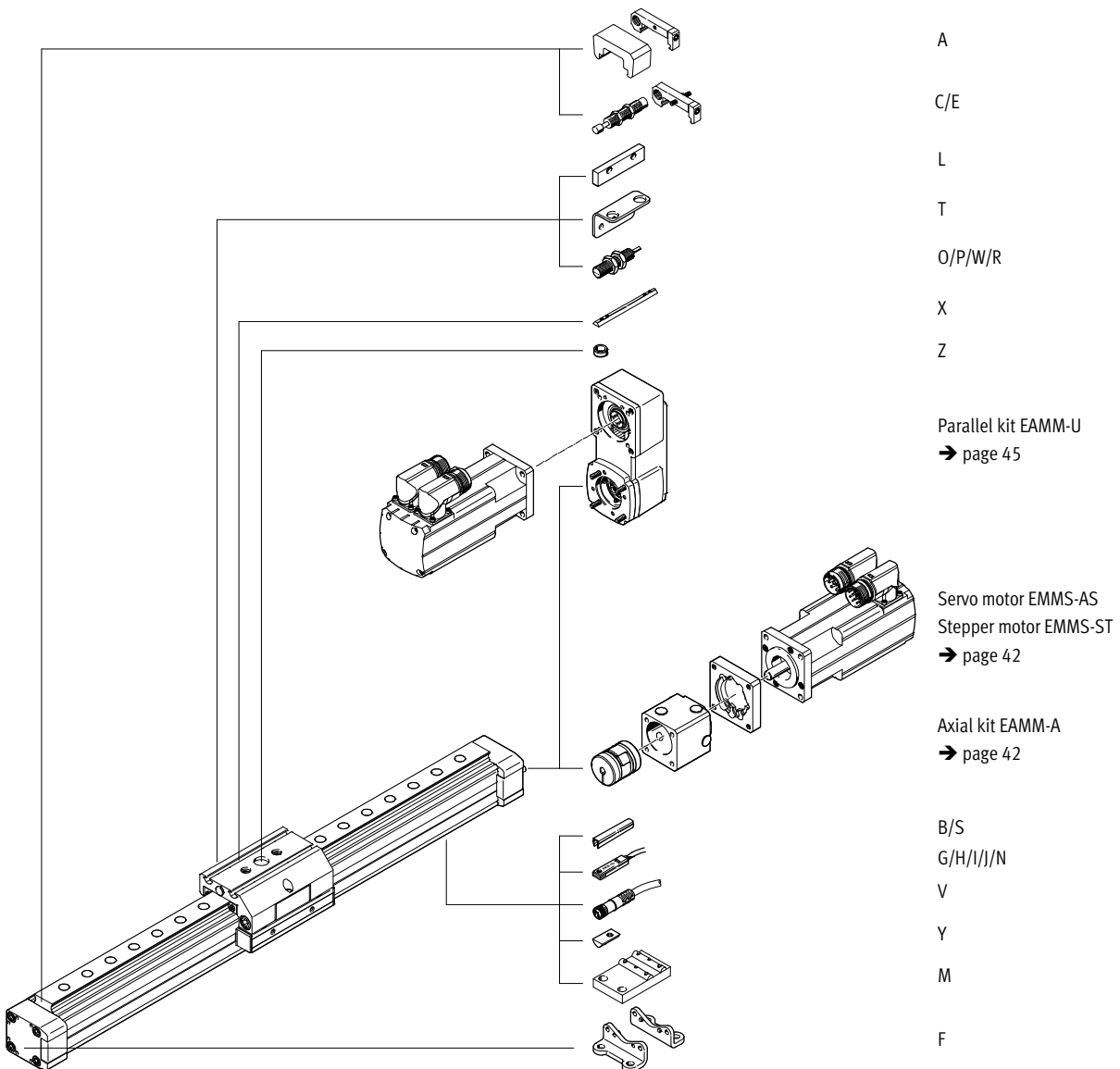


- 1 - Type discontinued
Available up until 2019

Spindle axes DGE-SP-KF, with recirculating ball bearing guide

Ordering data – Modular products

FESTO



- 1 - Type discontinued
Available up until 2019

Spindle axes DGE-SP-KF, with recirculating ball bearing guide

FESTO

Ordering data – Modular products

Ordering table								
Size	18	25	40	63	Condi- tions	Code	Enter code	
M Module No.	193745	193746	193747	193748				
Design	Electromechanical linear axis					DGE	DGE	
Size	18	25	40	63		-...		
Stroke [mm] Standard slide GK	100, 200, 300, 400, 500	100, 200, 300, 400, 500, 600, 700, 800, 900, 1000	200, 300, 400, 500, 600, 800, 1000, 1200, 1 400, 1500	300, 400, 500, 600, 800, 1000, 1200, 1 400, 1500, 1800, 2 000		-...		
	-	1 ... 990	1 ... 1487	1 ... 1982				
	Extended slide GV	110, 210, 310, 410	170, 270, 370, 470, 570, 670, 770, 870	170, 270, 370, 570, 770, 970, 1170, 1270	150, 250, 450, 650, 850, 1050, 1150, 1450, 1650		-...	
		-	1 ... 860	1 ... 1257	1 ... 1632			
Protected version GA	-	170, 270, 370, 470, 570, 670, 770, 870, 970	140, 240, 340, 440, 540, 740, 940, 1140, 1340, 1 440	-		-...		
	-	1 ... 960	1 ... 1427	-				
Drive function	Electromechanical drive with ball screw					-SP	-SP	

M Mandatory data

O Options

Transfer order code

DGE - - - **SP**

- 1 - Type discontinued
Available up until 2019

Spindle axes DGE-SP-KF, with recirculating ball bearing guide

FESTO

Ordering data – Modular products

Ordering table							
Size	18	25	40	63	Condi- tions	Code	Enter code
0	Guide	Recirculating ball bearing guide			1	-KF	-KF
	Slide	Standard			2	-GK	
		Extended			3	-GV	
		Dust protection	– Dust-proof version		3	-GA	
	Slide attachment position		Slide at front			-SV	
			Slide at rear			-SH	
	Additional slide	left (effective stroke reduction)	Standard slide at left (85 mm*) (105 mm*) (167 mm*) (230 mm*)		4	-KL	
		right (effective stroke reduction)	Standard slide at right (85 mm*) (105 mm*) (167 mm*) (230 mm*)		4	-KR	

* Plus working tolerance between slide and additional slide.

1 **KF** Only with slide GK, GV, GA.

2 **GK** Only with slide attachment position SV, SH.

Emergency buffer recommended → Accessory option "A".

3 **GV, GA** Only with slide attachment position SV, SH.

Emergency buffer included in delivery.

4 **KL, KR** Not with slide GA.

Emergency buffer recommended → Accessory option "A".

M Mandatory data

O Options

Transfer order code

- - - -

- 1 - Type discontinued
Available up until 2019

FESTO

Spindle axes DGE-SP-KF, with recirculating ball bearing guide

Ordering data – Modular products

Ordering table		18	25	40	63	Condi- tions	Code	Enter code	
Size									
↓ Accessories	Supplied separately								
0 Slot cover	Sensor slot	1 ... 10						...S	ZUB-
	Mounting slot	-	-	1 ... 10			...B		
Slot nut	for mounting slot	1 ... 10						...Y	
	for slide	-	1 ... 10				...X		
Central support		1 ... 10						...M	
Foot mounting (kit)		1 ... 10						...F	
Emergency buffer and retainer for KF	(effective stroke re- duction with emerg- ency buffer at both ends)	1 ... 2 (10 mm)	(30 mm)	(60 mm)	(100 mm)	9	...A		
Shock absorber and retainer for KF-GK, KF-GV		1 ... 2						10	...C
	for KF-GA	-	1 ... 2		-	11	...E		
Centring pins/sleeves (pack of 10)		10, 20, 30, 40, 50, 60, 70, 80, 90						...Z	
Proximity sensor	with cable, 2.5 m	1 ... 10						...G	
	with plug	1 ... 10						...H	
	contactless with cable, 2.5 m	1 ... 10						...I	
	contactless, plug	1 ... 10						...J	
	NC contact with cable, 2.5 m	1 ... 10						...N	
Cable with socket, 2.5 m		1 ... 10						...V	
Sensor bracket for inductive sensors		1 ... 5						10	...T
Switching lug		1						10	L
Inductive sensor	NO contact, cable	1 ... 5						10	...O
	NC contact, cable	1 ... 5						10	...P
	NO contact, plug	1 ... 5						10	...W
	NC contact, plug	1 ... 5						10	...R

- 9 A Only with slide GK.
Mounted as standard for slide GV, GA
- 10 C, T, L, O, P, W, R
Not with slide GA.

- 11 E Only with slide GA.

- M Mandatory data
O Options

Transfer order code

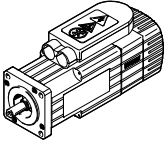
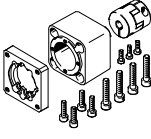

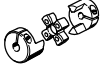
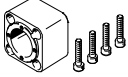
ZUB -

- 1 - Type discontinued
Available up until 2019

Spindle axes DGE

Accessories

FESTO

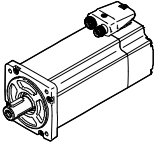
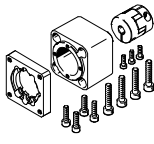
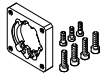
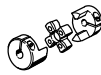
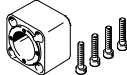
Permissible axis/motor combinations with axial kit – Without gear unit					Technical data → Internet: eamm-a
Motor	Axial kit	Axial kit consisting of:			
		Motor flange	Coupling	Coupling housing	
					
Type	Part No. Type	Part No. Type	Part No. Type	Part No. Type	
DGE-18-...-SP					
With servo motor					
EMMS-AS-40-...	550961 EAMM-A-E20-40A	552163 EAMF-A-28B-40A	540751 EAMC-B-15-22-5-6	170374 EAMK-A-E20-28B	
EMMS-AS-55-...	550963 EAMM-A-E20-55A	529946 EAMF-A-28A/B-55A	529953 EAMC-B-15-22-5-9	170374 EAMK-A-E20-28B	
With stepper motor					
EMMS-ST-42-...	550962 EAMM-A-E20-42A	552164 EAMF-A-28B-42A	530085 EAMC-B-15-22-5-5	170374 EAMK-A-E20-28B	
DGE-25-...-SP					
With servo motor					
EMMS-AS-40-...	550964 EAMM-A-E32-40A	550985 EAMF-A-44A/B-40A	123040 EAMC-30-35-6-6	124631 EAMK-A-E32-44A	
EMMS-AS-55-...	550965 EAMM-A-E32-55A	529942 EAMF-A-44A/B-55A	530941 EAMC-30-35-6-9	124631 EAMK-A-E32-44A	
With stepper motor					
EMMS-ST-57-...	550966 EAMM-A-E32-57A	530081 EAMF-A-44A/B-57A	530087 EAMC-30-35-6-6.35	124631 EAMK-A-E32-44A	
With integrated drive					
EMCA-EC-67-...	1454246 EAMM-A-E32-67A	1476305 EAMF-A-44A/B/C-67A-S1	530941 EAMC-30-35-6-9	124631 EAMK-A-E32-44A	

- 2 - Type discontinued
Available up until 2019

FESTO

Spindle axes DGE

Accessories

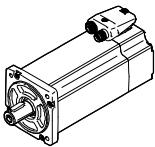
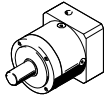
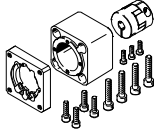


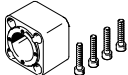
Permissible axis/motor combinations with axial kit – Without gear unit					Technical data → Internet: eamm-a
Motor	Axial kit	Axial kit consisting of:			
		Motor flange	Coupling	Coupling housing	
					
Type	Part No. Type	Part No. Type	Part No. Type	Part No. Type	
DGE-40-...-SP					
With servo motor					
EMMS-AS-55-...	550969 EAMM-A-E48-55A	529942 EAMF-A-44A/B-55A	550996 EAMC-30-35-9-12	124632 EAMK-A-E48-44A	
EMMS-AS-70-...	550971 EAMM-A-E48-44A-70A	529943 EAMF-A-44A/B-70A	123051 EAMC-30-35-11-12	124632 EAMK-A-E48-44A	
EMME-AS-100-...	550973 EAMM-A-E48-100A	529947 EAMF-A-64A/C/D-100A	529952 EAMC-40-66-12-19	529940 EAMK-A-E48-64A	
EMMS-AS-100-...	550973 EAMM-A-E48-100A	529947 EAMF-A-64A/C/D-100A	529952 EAMC-40-66-12-19	529940 EAMK-A-E48-64A	
With stepper motor					
EMMS-ST-57-...	550970 EAMM-A-E48-57A	530081 EAMF-A-44A/B-57A	550995 EAMC-30-35-6.35-12	124632 EAMK-A-E48-44A	
EMMS-ST-87-...	550972 EAMM-A-E48-87A	533140 EAMF-A-64A/B-87A	525864 EAMC-40-66-11-12	529940 EAMK-A-E48-64A	
DGE-63-...-SP					
With servo motor					
EMMS-AS-70-...	550975 EAMM-A-E72-70A	529945 EAMF-A-64A/B-70A	550999 EAMC-40-66-11-20	529941 EAMK-A-E72-64A	
EMME-AS-100-...	550978 EAMM-A-E72-100A	529947 EAMF-A-64A/C/D-100A	123847 EAMC-40-66-19-20	529941 EAMK-A-E72-64A	
EMMS-AS-100-...	550978 EAMM-A-E72-100A	529947 EAMF-A-64A/C/D-100A	123847 EAMC-40-66-19-20	529941 EAMK-A-E72-64A	
With stepper motor					
EMMS-ST-87-...	550977 EAMM-A-E72-87A	533140 EAMF-A-64A/B-87A	550999 EAMC-40-66-11-20	529941 EAMK-A-E72-64A	


- 1 - Type discontinued
Available up until 2019

Spindle axes DGE

Accessories

FESTO

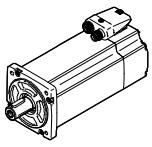
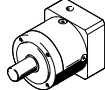
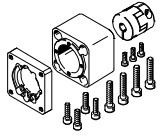
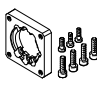

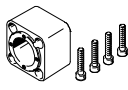
Permissible axis/motor combinations with axial kit – With gear unit						Technical data → Internet: eamm-a
Motor	Gear unit	Axial kit	Axial kit consisting of:			
			Motor flange	Coupling	Coupling housing	
						
Type	Type	Part No. Type	Part No. Type	Part No. Type	Part No. Type	
DGE-25-...-SP						
With servo motor						
EMME-AS-40-...	EMGA-40-P-G...-EAS-40	1454247 EAMM-A-E32-40G	550986 EAMF-A-44A/B-40G	1453062 EAMC-30-35-6-10	124631 EAMK-A-E32-44A	
EMMS-AS-40-...	EMGA-40-P-G...-SAS-40	1454247 EAMM-A-E32-40G	550986 EAMF-A-44A/B-40G	1453062 EAMC-30-35-6-10	124631 EAMK-A-E32-44A	
With stepper motor						
EMMS-ST-42-...	EMGA-40-P-G...-SST-42	1454247 EAMM-A-E32-40G	550986 EAMF-A-44A/B-40G	1453062 EAMC-30-35-6-10	124631 EAMK-A-E32-44A	
With integrated drive						
EMCA-EC-67-...	EMGC-40-...	1454247 EAMM-A-E32-40G	550986 EAMF-A-44A/B-40G	1453062 EAMC-30-35-6-10	124631 EAMK-A-E32-44A	
DGE-40-...-SP						
With servo motor						
EMME-AS-40-...	EMGA-40-P-G...-EAS-40	550968 EAMM-A-E48-40G	550986 EAMF-A-44A/B-40G	552640 EAMC-30-35-10-12	124632 EAMK-A-E48-44A	
EMMS-AS-40-...	EMGA-40-P-G...-SAS-40	550968 EAMM-A-E48-40G	550986 EAMF-A-44A/B-40G	552640 EAMC-30-35-10-12	124632 EAMK-A-E48-44A	
EMME-AS-60-...	EMGA-60-P-G...-EAS-60	1454249 EAMM-A-E48-60H	550987 EAMF-A-64A/B-60G/H	1452803 EAMC-40-66-12-14	529940 EAMK-A-E48-64A	
With stepper motor						
EMMS-ST-42-...	EMGA-40-P-G...-SST-42	550968 EAMM-A-E48-40G	550986 EAMF-A-44A/B-40G	552640 EAMC-30-35-10-12	124632 EAMK-A-E48-44A	
With integrated drive						
EMCA-EC-67-...	EMGC-40-...	550968 EAMM-A-E48-40G	550986 EAMF-A-44A/B-40G	552640 EAMC-30-35-10-12	124632 EAMK-A-E48-44A	
EMCA-EC-67-...	EMGC-60-...	1454249 EAMM-A-E48-60H	550987 EAMF-A-64A/B-60G/H	1452803 EAMC-40-66-12-14	529940 EAMK-A-E48-64A	

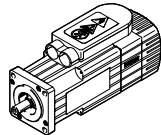
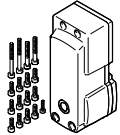
 Type discontinued
Available up until 2019

FESTO

Spindle axes DGE

Accessories

Permissible axis/motor combinations with axial kit – With gear unit						Technical data → Internet: eamm-a
Motor	Gear unit	Axial kit	Axial kit consisting of:			
			Motor flange	Coupling	Coupling housing	
						
Type	Type	Part No. Type	Part No. Type	Part No. Type	Part No. Type	
DGE-63-...-SP						
With servo motor						
EMMS-AS-55-...	EMGA-60-P-G...-SAS-55	550974 EAMM-A-E72-60G	550987 EAMF-A-64A/B-60G/H	550999 EAMC-40-66-11-20	529941 EAMK-A-E72-64A	
EMME-AS-60-...	EMGA-60-P-G...-EAS-60	1454250 EAMM-A-E72-60H	550987 EAMF-A-64A/B-60G/H	1452809 EAMC-40-66-14-20	529941 EAMK-A-E72-64A	
EMMS-AS-70-...	EMGA-60-P-G...-SAS-70	550974 EAMM-A-E72-60G	550987 EAMF-A-64A/B-60G/H	550999 EAMC-40-66-11-20	529941 EAMK-A-E72-64A	
EMMS-AS-70-...	EMGA-80-P-G...-SAS-70	550976 EAMM-A-E72-80G	533139 EAMF-A-64A/C-80G	123849 EAMC-40-66-20-20	529941 EAMK-A-E72-64A	
EMME-AS-80-...	EMGA-80-P-G...-EAS-80	550976 EAMM-A-E72-80G	533139 EAMF-A-64A/C-80G	123849 EAMC-40-66-20-20	529941 EAMK-A-E72-64A	
EMME-AS-100-...	EMGA-80-P-G...-SAS-100	550976 EAMM-A-E72-80G	533139 EAMF-A-64A/C-80G	123849 EAMC-40-66-20-20	529941 EAMK-A-E72-64A	
EMMS-AS-100-...	EMGA-80-P-G...-SAS-100	550976 EAMM-A-E72-80G	533139 EAMF-A-64A/C-80G	123849 EAMC-40-66-20-20	529941 EAMK-A-E72-64A	
With stepper motor						
EMMS-ST-57-...	EMGA-60-P-G...-SST-57	550974 EAMM-A-E72-60G	550987 EAMF-A-64A/B-60G/H	550999 EAMC-40-66-11-20	529941 EAMK-A-E72-64A	
EMMS-ST-87-...	EMGA-80-P-G...-SST-87	550976 EAMM-A-E72-80G	533139 EAMF-A-64A/C-80G	123849 EAMC-40-66-20-20	529941 EAMK-A-E72-64A	
With integrated drive						
EMCA-EC-67-...	EMGC-60-...	1454250 EAMM-A-E72-60H	550987 EAMF-A-64A/B-60G/H	1452809 EAMC-40-66-14-20	529941 EAMK-A-E72-64A	

Permissible axis/motor combinations with parallel kit – Without gear unit			Technical data → Internet: eamm-u
Motor	Parallel kit		
			<ul style="list-style-type: none"> • Space-saving gravity die-cast housing • Components can be mounted to the kit facing any direction
Type	Part No.	Type	
DGE-25-...-SP			
With servo motor			
EMMS-AS-55-...	543230	EAMM-U-E32-55A	
DGE-40-...-SP			
With servo motor			
EMMS-AS-70-...	543234	EAMM-U-E48-70A	

- 1 - Type discontinued
Available up until 2019

Spindle axes DGE

Accessories

FESTO

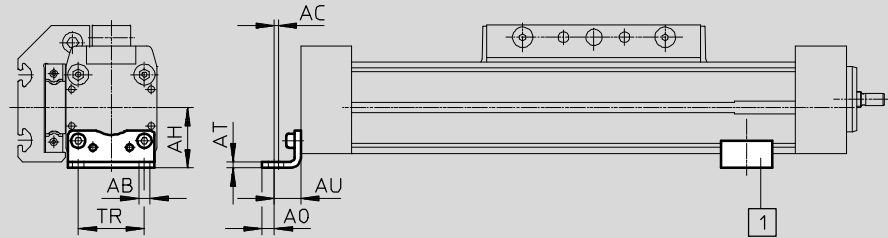
Foot mounting HP
(order code F)

Material:
Galvanised steel
Free of copper and PTFE



HP-25

DGE-18-...-63



Dimensions and ordering data											
For size	AB ∅	AC	AH	AO	AT	AU	TR	Weight [g]	Part No.	Type	
18	5.5	2	24	4.8	3	13.3	24	70	158472	HP-18	
25	5.5	2	29.5	6	3	13	32.5	61	150731	HP-25	
40	6.6	2	46	8.5	5	17.5	45	188	150733	HP-40	
63	11	3	69	13.5	6	28	75	305	150735	HP-63	

Central support MUP
(order code M)

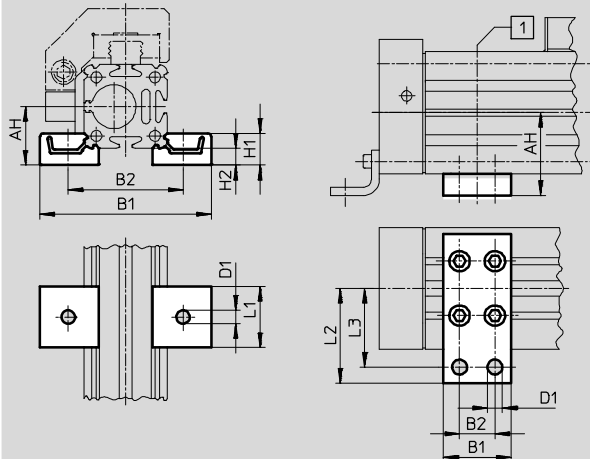
Material:
Anodised aluminium
Free of copper and PTFE



MUP-40

DGE-18-...-25

DGE-40-...-63



1 Position of the central support along the profile is freely selectable

Dimensions and ordering data												
For size	AH	B1	B2	D1 ∅	H1	H2	L1	L2	L3	Weight [g]	Part No.	Type
18	24	70.5	47	5.5	13	7	25	-	-	33	150736	MUP-18/25
25	29.5	81	58	5.5	13	7	25	-	-	33	150736	MUP-18/25
40	46	35	22	6.6	-	-	-	47	40	126	150738	MUP-40
63	69	50	26	11	-	-	-	77	65	340	150800	MUP-63

Spindle axes DGE

Accessories

Shock absorber YSR-...-C (order code C)

Materials:
Housing: Galvanised steel; piston rod:
high-alloy steel
Seals: nitrile rubber, polyurethane
Free of copper and PTFE

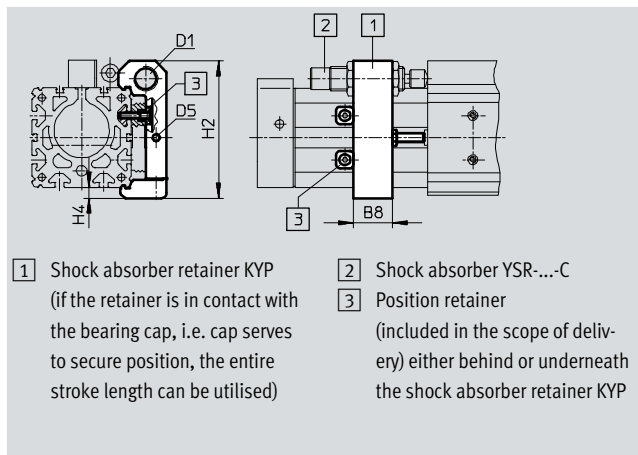


Note
Shock absorber YSRW with
progressive characteristics
→ Internet: ysrw


Ordering data			
For size	Weight [g]	Part No.	Type
18	30	34571	YSR-8-8-C
25	70	34572	YSR-12-12-C
40	140	34573	YSR-16-20-C
63	240	34574	YSR-20-25-C

Shock absorber retainer KYP (order code C)

Materials:
Retainer: Aluminium
Sleeve: Corrosion-resistant steel



Dimensions and ordering data								
For size	B8	D1	D5	H2	H4	Weight [g]	Part No.	Type
18	14	M12x1	M4	50.5	4.5	66	158907	KYP-18
25	19	M16x1	M5	69.5	6	95	158908	KYP-25
40	32	M22x1.5	M5	102	8	209	158910	KYP-40
63	44	M26x1.5	M10	152.5	11.5	609	158912	KYP-63

-  - Type discontinued
Available up until 2019

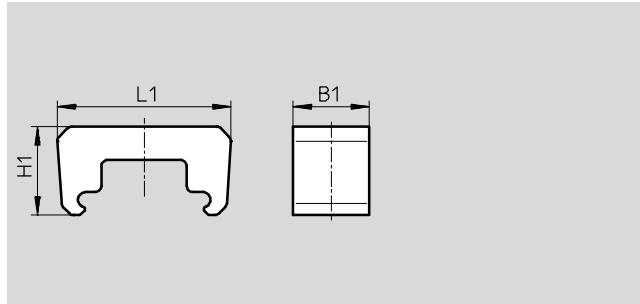
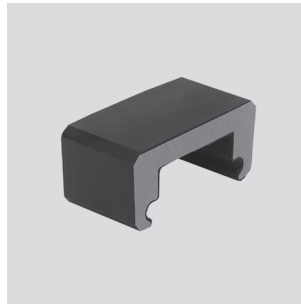
Spindle axes DGE

Accessories


FESTO

Emergency buffer NPE (order code A)

Material:
Polyurethane



Dimensions and ordering data						
For size	B1	L1	H1	Weight [g]	Part No.	Type
18	15	43.1	28.5	6	193901	NPE-18
25	25	57	29	12	193902	NPE-25
40	40	80.5	36	41	193904	NPE-40
63	60	128.6	55	152	193906	NPE-63

-  - Note
The emergency buffer can only be used in combination with shock absorber retainer KYP. → page 47 (A threaded stud and nut are not required.)

Shock absorber DG-GA for protected version GA (order code E)

Materials:
Housing: Galvanised steel; piston rod: high-alloy steel
Seals: nitrile rubber, polyurethane
Free of copper and PTFE



Ordering data			
For size	Weight [g]	Part No.	Type
25	70	192875	DG-GA-25-YSR
40	140	192877	DG-GA-40-YSR

Spindle axes DGE

Accessories

Sensor bracket HWS

for inductive proximity sensors

(order code T)

Material:

Galvanised steel

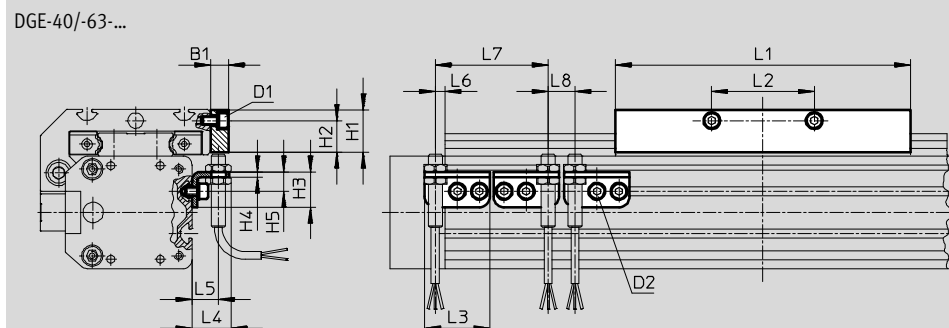
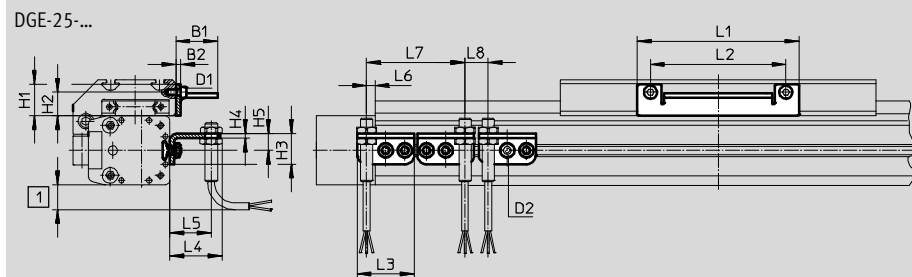
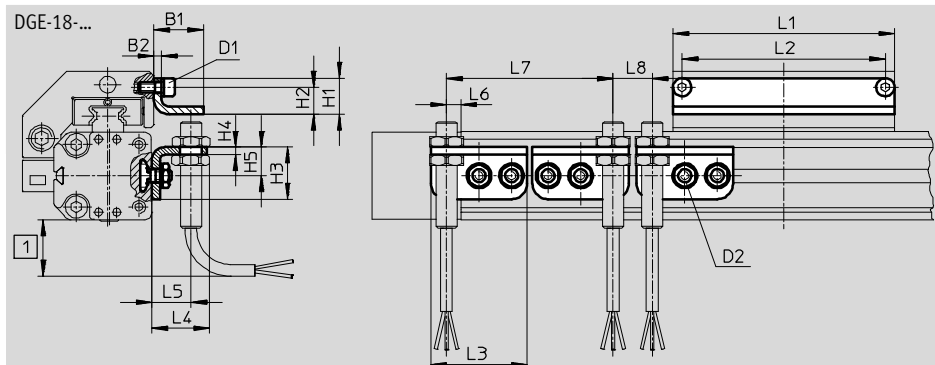


Switch lug SF

(order code L)

Material:

Galvanised steel



- 1 Protruding sensor cable, ensure sufficient installation space

-  - Note

Cannot be used in combination with the variant DGE-...-GA (protected version).

- 1 - Type discontinued
Available up until 2019

Spindle axes DGE

Accessories

FESTO

Dimensions and ordering data														
For size	D1	D2	B1	B2	H1	H2	H3	H4	H5	L1	L2	L3	L4	L5
18	M4	M5	19	3	14	10.5	20	3	11	85	78	37	22.5	15
25	M5	M5	27	3	20.5	15.3	20	3	11	105	88	37	34.5	27
40	M5	M5	10	-	24	18	20	3	11	167	58	37	22.5	15
63	M8	M5	10	-	35	25	20	3	11	230	72	37	22.5	15


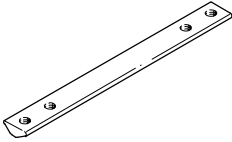

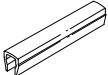
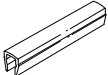
For size	L6 max.	L7 min.	L8 min.	Weight [g]	Part No.	Type
18	5.5	64	15	30	188968	HWS-18/25-M8
				60	188964	SF-18
25	5.5	64	15	30	540780	HWS-25-MAB-M8
				80	540430	SF-25-MAB
40	5.5	64	15	40	188969	HWS-40-M8
				310	188966	SF-40
63	5.5	64	15	40	188970	HWS-63-M8
				630	188967	SF-63

- 1 - Type discontinued
Available up until 2019


FESTO

Spindle axes DGE

Accessories

Ordering data				Technical data → Internet: mounting attachment		
	For size	Comment	Order code	Part No.	Type	PU ¹⁾
Slot nut NST						
	18, 25	For mounting slot	Y	526091	NST-HMV-M4	10
	40			150914	NST-5-M5	1
	63			150915	NST-8-M6	1
Slot nut NSTL						
	25	For slide	X	158410	NSTL-25	1
	40			158412	NSTL-40	1
	63			158414	NSTL-63	1
Centring pin/sleeve ZBS/ZBH						
	18	For slide	Z	150928	ZBS-5	10
	25 ... 63			150927	ZBH-9	10
Slot cover ABP						
	40	For mounting slot every 0.5 m	B	151681	ABP-5	2
	63			151682	ABP-8	
Slot cover ABP-S						
	18 ... 63	For sensor slot every 0.5 m	S	151680	ABP-5-S	2

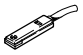

1) Packaging unit

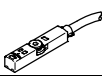
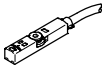
 Type discontinued
Available up until 2019



Spindle axes DGE



Accessories

FESTO

Ordering data – Proximity sensors for T-slot, magnetic reed						Technical data → Internet: sme	
	Type of mounting	Switching output	Electrical connection	Cable length [m]	Part No.	Type	
N/O contact							
	Insertable in the slot lengthwise, flush with the cylinder profile	Contacting	Cable, 3-wire	2.5	150855	SME-8-K-LED-24	
			Plug M8x1, 3-pin	0.3	150857	SME-8-S-LED-24	
N/C contact							
	Insertable in the slot lengthwise, flush with the cylinder profile	Contacting	Cable, 3-wire	7.5	160251	SME-8-O-K-LED-24	

Ordering data – Proximity sensors for T-slot, magneto-resistive						Technical data → Internet: smt	
	Type of mounting	Switch output	Electrical connection	Cable length [m]	Part No.	Type	
N/O contact							
	Insertable in the slot from above, flush with cylinder profile, short design	PNP	Cable, 3-wire	2.5	574335	SMT-8M-A-PS-24V-E-2,5-OE	
			Plug M8x1, 3-pin	0.3	574334	SMT-8M-A-PS-24V-E-0,3-M8D	
N/C contact							
	Insertable in the slot from above, flush with cylinder profile, short design	PNP	Cable, 3-wire	7.5	574340	SMT-8M-A-PO-24V-E-7,5-OE	

Ordering data – Inductive proximity sensors M8						Technical data → Internet: sien	
	Electrical connection		Switching output	LED	Cable length [m]	Part No.	Type
	Cable	Plug M8					
N/O contact							
	3-wire	–	PNP	■	2.5	150386	SIEN-M8B-PS-K-L
	–	3-pin	PNP	■	–	150387	SIEN-M8B-PS-S-L
N/C contact							
	3-wire	–	PNP	■	2.5	150390	SIEN-M8B-PO-K-L
	–	3-pin	PNP	■	–	150391	SIEN-M8B-PO-S-L

Ordering data – Connecting cables					Technical data → Internet: nebu	
	Electrical connection, left	Electrical connection, right	Cable length [m]	Part No.	Type	
	Straight socket, M8x1, 3-pin	Cable, open end, 3-wire	2.5	541333	NEBU-M8G3-K-2.5-LE3	
			5	541334	NEBU-M8G3-K-5-LE3	
	Angled socket, M8x1, 3-pin	Cable, open end, 3-wire	2.5	541338	NEBU-M8W3-K-2.5-LE3	
			5	541341	NEBU-M8W3-K-5-LE3	

- 1 - Type discontinued
Available up until 2019

FESTO

Spindle axes DGE

Accessories

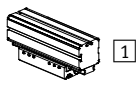
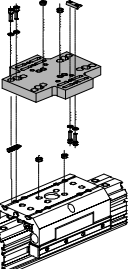
Adapter kit
HMVK

Material:
Wrought aluminium alloy
Free of copper and PTFE
RoHS-compliant



Note

The kit includes the individual mounting interface as well as the necessary mounting material.

Permissible drive/drive combinations with adapter kit			Download CAD data → www.festo.com		
Combination	1	2	Adapter kit		
	Drive	Drive	CRC ¹⁾	Part No.	Type
DGE, DGEA/DGE	DG...	DGE	HMVK		
 	Direct slide/slide mounting				
	18, 25	25	2	196779	HMVK-DL25-DL18/25
	25	32		196781	HMVK-DL32/40-DLA18-32
	18 ²⁾ , 25, 32 ³⁾	40		196781	HMVK-DL32/40-DLA18-32
	25 ²⁾ , 40	63		196783	HMVK-DL63-DLA25/40
	Direct slide/profile mounting				
	18	18	2	196780	HMVK-DL18/25-DL18/25
	25	25		196780	HMVK-DL18/25-DL18/25
	25	32, 40		196782	HMVK-DL32/40-DL25
	32 ³⁾ , 40	40		196781	HMVK-DL32/40-DLA18-32

1) Corrosion resistance class CRC 2 to Festo standard FN 940070

Moderate corrosion stress. Indoor applications in which condensation may occur. External visible parts with primarily decorative requirements for the surface and which are in direct contact with the ambient atmosphere typical for industrial applications.

2) Only for DGEA-...

3) Only for DGPL

Festo - Your Partner in Automation



1 Festo Inc.
5300 Explorer Drive
Mississauga, ON L4W 5G4
Canada

Festo Customer Interaction Center
Tel: 1 877 463 3786
Fax: 1 877 393 3786
Email: customer.service.ca@festo.com

2 Festo Pneumatic
Av. Ceylán 3,
Col. Tequesquináhuac
54020 Tlalnepantla,
Estado de México

Multinational Contact Center
01 800 337 8669
ventas.mexico@festo.com

3 Festo Corporation
1377 Motor Parkway
Suite 310
Islandia, NY 11749

Festo Customer Interaction Center
1 800 993 3786
1 800 963 3786
customer.service.us@festo.com

4 Regional Service Center
7777 Columbia Road
Mason, OH 45040

Connect with us



www.festo.com/socialmedia



www.festo.com

Subject to change