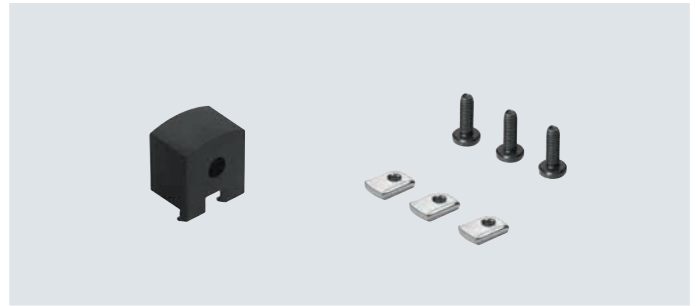
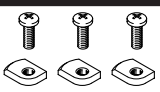
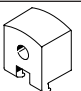
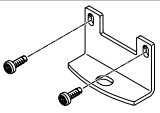
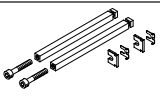


Data sheet

Mounting CPX

Mounting components enable valve terminals to be attached to walls and machine parts

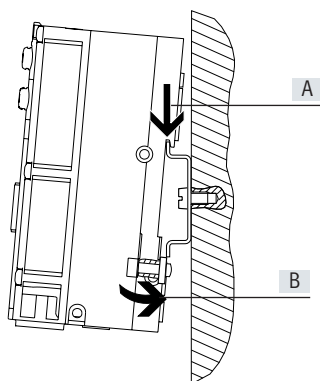


Ordering data							
View	Weight [g]	Material	Note on materials	Function	Dimensions [mm]	Part no.	Type
	12	Cold rolled steel	–	Clamping elements for H-rail mounting. Are screwed onto the component and clamp it onto an H-rail. Includes M4x12 screw (combi cross-slot screws).	8 x 11.8 (LxW) Material thickness: 2.5	526032	CPX-CPA-BG-NRH
	24	PA	RoHS-compliant	Mounting bracket, can be used as additional mounting component for larger valve terminals	15x10.8x17.5 (LxWxH)	529040	CPX-BG-RW-10x
	22	Steel	RoHS-compliant	Attachment for wall mounting, version for metal interlinking plates	2 mounting brackets, 4 screws	550217	CPX-M-BG-RW-2X
	35	Galvanised steel	RoHS-compliant		1 mounting bracket, 2 screws	2721419	CPX-M-BG-VT-2X
	23.9	Steel	–	Tie rod, enables individual CPX components to be assembled to form a unit. Available in different lengths for a different number of modules, standard thread M4.	60 (L) Expansion for 1 module	525418	CPX-ZA-1-E
	41				72.1 (L) 1 module	195718	CPX-ZA-1
	71				122.2 (L) 2 modules	195720	CPX-ZA-2
	97				172.3 (L) 3 modules	195722	CPX-ZA-3
	127				222.4 (L) 4 modules	195724	CPX-ZA-4
	156				272.5 (L) 5 modules	195726	CPX-ZA-5
	173				322.6 (L) 6 modules	195728	CPX-ZA-6
	199				372.7 (L) 7 modules	195730	CPX-ZA-7
	247				422.8 (L) 8 modules	195732	CPX-ZA-8
	274				472.9 (L) 9 modules	195734	CPX-ZA-9
301	523 (L) 10 modules	195736	CPX-ZA-10				

Data sheet

Examples illustrating H-rail mounting

Using clamping elements



The H-rail mounting is part of the rear profile of the CPX interlinking blocks. The CPX terminal can be attached to the H-rail using the H-rail mounting kit. The CPX terminal is first hooked onto the H-rail (see arrow [A]),

then swivelled onto the H-rail and secured in place with the clamping element (see arrow [B]). The optional earthing plate enables a connection to be established to the machine potential/earth in one easy step.

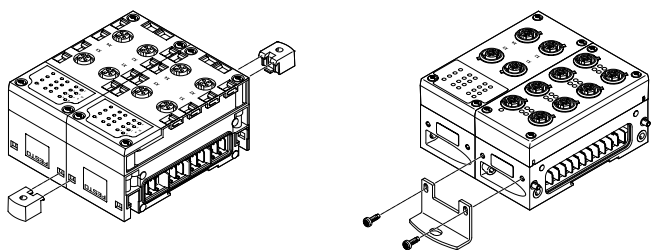
The following mounting kit is needed for H-rail mounting:

- CPX-CPA-BG-NRH

This facilitates mounting of the CPX terminal on H-rails to EN 60715. An additional mounting kit may be required for combination with valve terminals.

Examples illustrating wall mounting

Using a mounting bracket

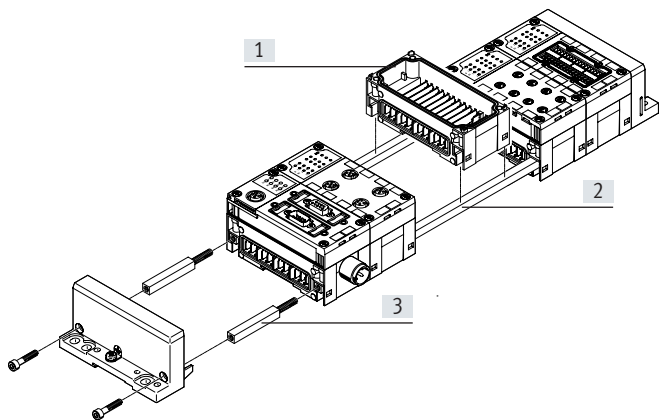


Additional mountings and mounting brackets for the CPX-P terminal are available for longer valve terminals; in each case these can be attached between two modules or screwed onto the interlinking blocks.

The type of mounting varies depending on the design of the CPX terminal with polymer or metal interlinking.

Examples illustrating general types of mounting

Using a tie rod



The mechanical connection between the CPX modules is created using special tie rods [2]. The entire unit can be assembled using two screws in the end plates.

The tie rod ensures that the unit has a high mechanical load-bearing capacity and is therefore the mechanical "backbone" of the CPX terminal.

The open design allows interlinking blocks [1] to be replaced when already mounted.

With the tie rod extension kit [3] an extra module can be added to the CPX terminal.

Festo - Your Partner in Automation



1 Festo Inc.
5300 Explorer Drive
Mississauga, ON L4W 5G4
Canada

Festo Customer Interaction Center
Tel: 1 877 463 3786
Fax: 1 877 393 3786
Email: customer.service.ca@festo.com



2 Festo Pneumatic
Av. Ceylán 3,
Col. Tequesquináhuac
54020 Tlalnepantla,
Estado de México

Multinational Contact Center
01 800 337 8669
ventas.mexico@festo.com



3 Festo Corporation
1377 Motor Parkway
Suite 310
Islandia, NY 11749

Festo Customer Interaction Center
1 800 993 3786
1 800 963 3786
customer.service.us@festo.com



4 Regional Service Center
7777 Columbia Road
Mason, OH 45040

Connect with us



www.festo.com/socialmedia



www.festo.com

Subject to change