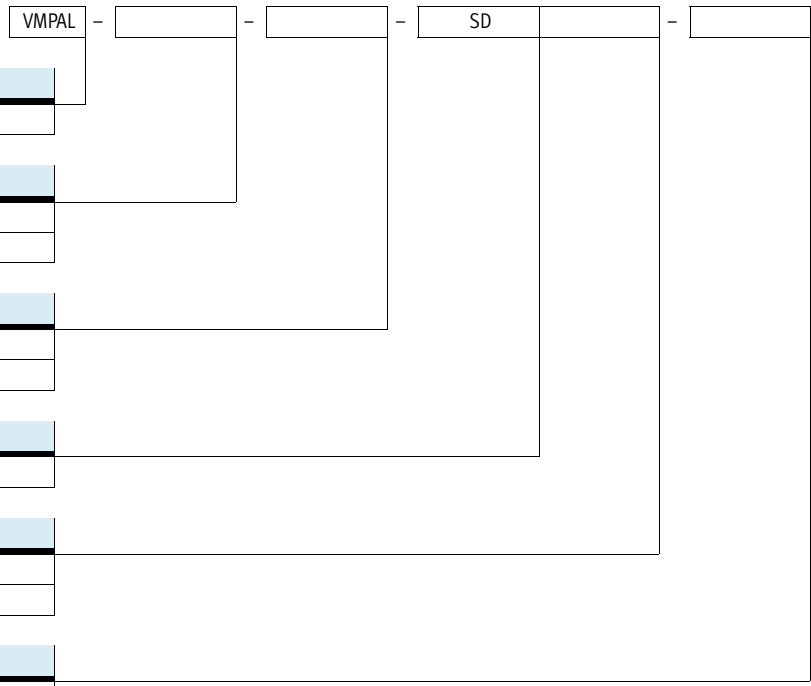


# Connecting cables for valves, Sub-D socket

Type codes – Connecting cable for valve terminal MPA-L



**Function**

VMPAL	Connecting cables for valve terminal MPA-L
-------	--

**Cable characteristic**

KM	Standard
KMSK	Suitable for use with energy chains

**Cable outlet on the left**

V	At the front
S	At the side

**Connection technology on the left, field device side**

SD	Sub-D socket
----	--------------

**Number of pins/wires, left**

25	25-pin
44	44-pin

**Cable length**

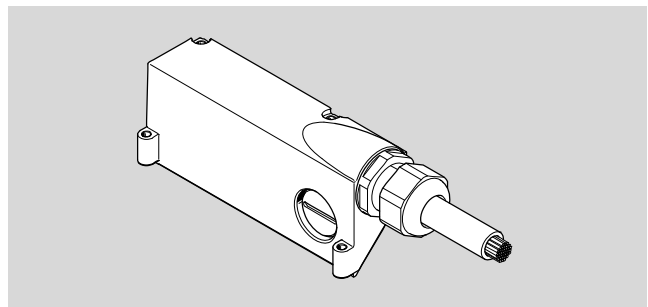
2,5	2.5 m
5	5 m
10	10 m
X	0.5 ... 30 m

# Connecting cables for valves, Sub-D socket

Technical data

## Connecting cable VMPAL

- Connecting cable for multi-pin plug connection
- Pre-assembled
- Socket at the side or angled forward
- Cable lengths 2.5 m, 5 m, 10 m or any length from 0.5 ... 30 mm



General technical data		
Type	VMPAL-KM	VMPAL-KMSK
Electrical connection	Sub-D socket	Sub-D socket
	Open end	Open end
Cable characteristic	Standard	Suitable for use with energy chains

Technical data				
Type		VMPAL-KM-...-SD25	VMPAL-KM-...-SD44	VMPAL-KMSK
Cable composition	[mm <sup>2</sup> ]	25 x 0.34	36 x 0.25	25 x 0.34
Cable diameter	[mm]	10.2	9.6	12.5
Min. cable bending radius	[mm]	122	115	63
Degree of protection to EN 60529		IP67	IP67	IP67

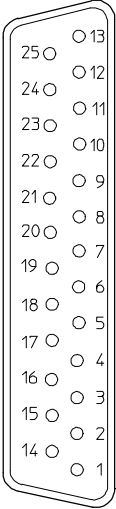
Materials		
Type	VMPAL-KM	VMPAL-KMSK
Cable sheath	PVC	TPE-U(PU)
Note on materials	RoHS-compliant	

Operating and environmental conditions		
Ambient temperature with flexible cable installation	[°C]	-5 ... +80
Corrosion resistance class CRC <sup>1)</sup>		2

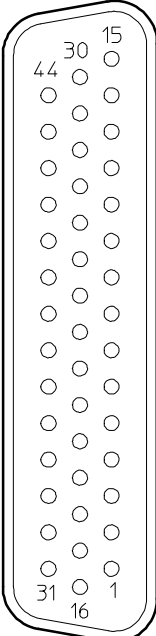
1) Corrosion resistance class CRC 2 to Festo standard FN 940070  
Moderate corrosion stress. Indoor applications in which condensation may occur. External visible parts with primarily decorative requirements for the surface and which are in direct contact with the ambient atmosphere typical for industrial applications.

# Connecting cables for valves, Sub-D socket

Technical data

Circuitry (view of socket), 25-wire connecting cable				
	Pin	Wire colour <sup>1)</sup>	Pin	Wire colour <sup>1)</sup>
	1	WH	14	BN YE
	2	GN	15	GY WH
	3	YE	16	BN GY
	4	GY	17	WH PK
	5	PK	18	BN PK
	6	BU	19	BU WH
	7	RD	20	BN BU
	8	VT	21	RD WH
	9	GY PK	22	BN RD
	10	RD BU	23	BK WH
	11	GN WH	24	BN
	12	BN GN	25	BK
	13	YE WH		

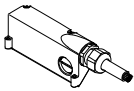
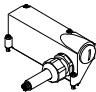
1) To IEC 757

Circuitry (view of socket), 36-wire connecting cable						
	Pin	Wire colour <sup>1)</sup>	Pin	Wire colour <sup>1)</sup>	Pin	Wire colour <sup>1)</sup>
	1	WH	18	BN PK	35	n.c.
	2	GN	19	BU WH	36	n.c.
	3	YE	20	BN BU	37	n.c.
	4	GY	21	RD WH	38	n.c.
	5	PK	22	BN RD	39	n.c.
	6	BU	23	BK WH	40	n.c.
	7	RD	24	BN	41	RD YE
	8	VT	25	BK BN	42	BK GN
	9	GY PK	26	GN GY	43	BK YE
	10	RD BU	27	YE GY	44	BK
	11	GN WH	28	GN PK		
	12	BN GN	29	YE PK		
	13	YE WH	30	GN BU		
	14	BN YE	31	YE BU		
	15	GY WH	32	RD GN		
	16	BN GY	33	n.c.		
	17	WH PK	34	n.c.		

1) To IEC 757

# Connecting cables for valves, Sub-D socket

Ordering data

Electrical multi-pin plug connection – Ordering data						
	Description		Connection	Cable length	Part No.	Type
Connecting cable for multi-pin plug connection, with Sub-D socket						
	Cable outlet to front	Cable characteristic: suitable for use with energy chains	25-pin	2.5 m	<b>560410</b>	<b>VMPAL-KMSK-V-SD25-IP67-2,5</b>
				5 m	<b>560411</b>	<b>VMPAL-KMSK-V-SD25-IP67-5</b>
				10 m	<b>560412</b>	<b>VMPAL-KMSK-V-SD25-IP67-10</b>
				0.5 ... 30 m	<b>562391</b>	<b>VMPAL-KMSK-V-SD25-IP67-X</b>
		Cable characteristic: standard	25-pin	2.5 m	<b>560416</b>	<b>VMPAL-KM-V-SD25-IP67-2,5</b>
				5 m	<b>560417</b>	<b>VMPAL-KM-V-SD25-IP67-5</b>
				10 m	<b>560418</b>	<b>VMPAL-KM-V-SD25-IP67-10</b>
				0.5 ... 30 m	<b>562389</b>	<b>VMPAL-KM-V-SD25-IP67-X</b>
	44-pin	2.5 m	<b>560422</b>	<b>VMPAL-KM-V-SD44-IP67-2,5</b>		
		5 m	<b>560423</b>	<b>VMPAL-KM-V-SD44-IP67-5</b>		
		10 m	<b>560424</b>	<b>VMPAL-KM-V-SD44-IP67-10</b>		
		0.5 ... 30 m	<b>562390</b>	<b>VMPAL-KM-V-SD44-IP67-X</b>		
	Cable outlet to side	Cable characteristic: suitable for use with energy chains	25-pin	2.5 m	<b>560413</b>	<b>VMPAL-KMSK-S-SD25-IP67-2.5</b>
				5 m	<b>560414</b>	<b>VMPAL-KMSK-S-SD25-IP67-5</b>
				10 m	<b>560415</b>	<b>VMPAL-KMSK-S-SD25-IP67-10</b>
				0.5 ... 30 m	<b>562394</b>	<b>VMPAL-KMSK-S-SD25-IP67-X</b>
		Cable characteristic: standard	25-pin	2.5 m	<b>560419</b>	<b>VMPAL-KM-S-SD25-IP67-2.5</b>
				5 m	<b>560420</b>	<b>VMPAL-KM-S-SD25-IP67-5</b>
				10 m	<b>560421</b>	<b>VMPAL-KM-S-SD25-IP67-10</b>
				0.5 ... 30 m	<b>562392</b>	<b>VMPAL-KM-S-SD25-IP67-X</b>
	44-pin	2.5 m	<b>560425</b>	<b>VMPAL-KM-S-SD44-IP67-2.5</b>		
		5 m	<b>560426</b>	<b>VMPAL-KM-S-SD44-IP67-5</b>		
		10 m	<b>560427</b>	<b>VMPAL-KM-S-SD44-IP67-10</b>		
		0.5 ... 30 m	<b>562393</b>	<b>VMPAL-KM-S-SD44-IP67-X</b>		