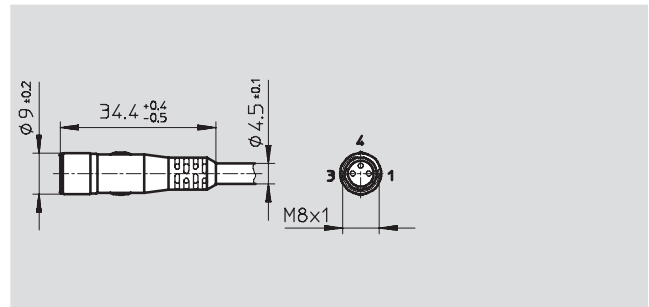
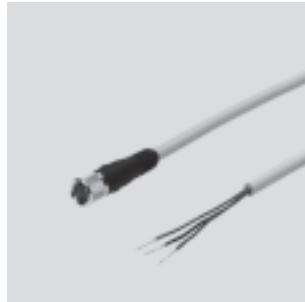


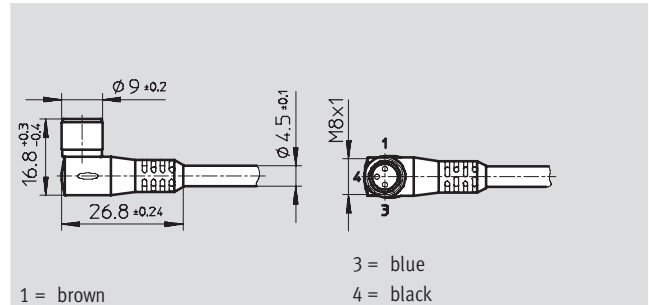
Plug sockets with cable SIM

Technical data – M8, 3-pin

SIM-M8-3GD-...-PU



SIM-M8-3WD-...-PU



General technical data			SIM-M8-3...-2,5-PU	SIM-M8-3...-5-PU	SIM-M8-3...-10-PU
Electrical data					
Electrical connection	Straight or angled socket, M8x1, 3-pin				
Current-carrying capacity	[A]	2.8			
Operating voltage range	AC	[V]	≤45		
	DC	[V]	≤70		
Protection class	IP65/IP67				
Design					
Cable length	[m]	2.5	5	10	
Cable composition	[mm ²]	3x 0.25			
Wire ends	Tin-coated				
Ambient temperature					
Fixed cable installation	[°C]	-40 ... +70			
Flexible cable installation	[°C]	-5 ... +70			
Materials					
Cable sheath	Polyurethane				

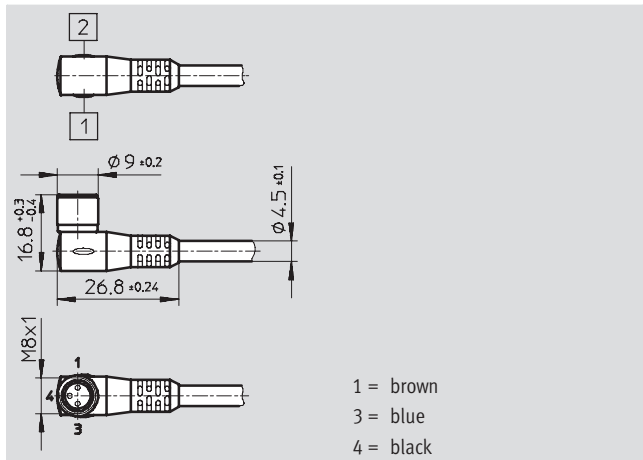
Ordering data					
		Part No.	Type	Part No.	Type
Connection direction	In-line			Lateral	
Cable length [m]	2.5	159 420	SIM-M8-3GD-2,5-PU	159 422	SIM-M8-3WD-2,5-PU
	5	159 421	SIM-M8-3GD-5-PU	159 423	SIM-M8-3WD-5-PU
	10	192 964	SIM-M8-3GD-10-PU	192 965	SIM-M8-3WD-10-PU

Plug sockets with cable SIM

Technical data – M8, 3-pin with switching status display

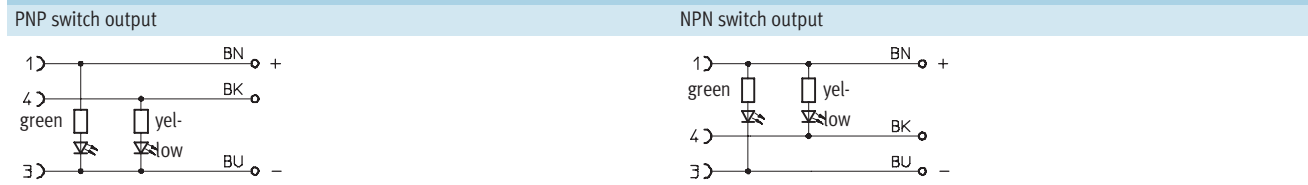
SIM-M8-3WD-...-PSL-PU
SIM-M8-3WD-...-NSL-PU

- Ready status display and switching status display with LED



General technical data			
		SIM-M8-3WD-2,5-...-PU	SIM-M8-3WD-5-...-PU
Electrical data			
Switch output	PNP or NPN		
Electrical connection	Angled socket, M8x1, 3-pin		
Current-carrying capacity	[A]	2.8	
Operating voltage range	AC	[V]	≤45
	DC	[V]	≤70
Protection class	IP65/IP67		
Design			
Cable length	[m]	2.5	5
Cable composition	[mm ²]	3x 0.25	
Wire ends	Tin-coated		
Ready status display	LED green		
Switching status display	LED yellow		
Ambient temperature			
Fixed cable installation	[°C]	-40 ... +70	
Flexible cable installation	[°C]	-5 ... +70	
Materials			
Cable sheath	Polyurethane		

Circuit diagram and pin allocation

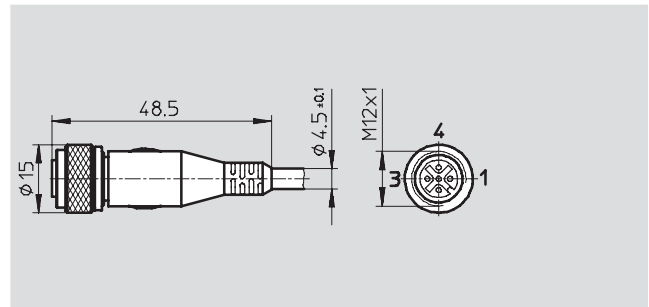


Ordering data					
		Part No.	Type	Part No.	Type
Switch output	PNP		NPN		
Cable length [m]	2.5	159 424	SIM-M8-3WD-2,5-PSL-PU	159 426	SIM-M8-3WD-2,5-NSL-PU
	5	159 425	SIM-M8-3WD-5-PSL-PU	159 427	SIM-M8-3WD-5-NSL-PU

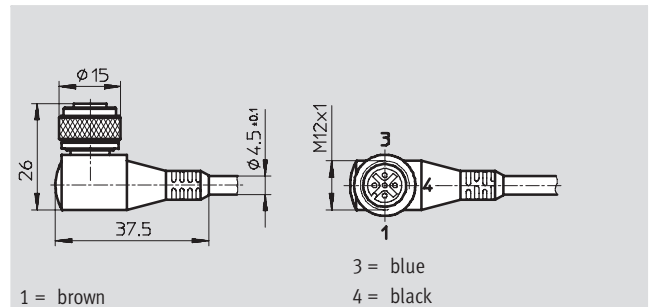
Plug sockets with cable SIM

Technical data – M12, 3-pin

SIM-M12-3GD-...-PU



SIM-M12-3WD-...-PU



General technical data		
	SIM-M12-3...-2,5-PU	SIM-M12-3...-5-PU
Electrical data		
Electrical connection	Straight or angled socket, M12x1, 3-pin	
Current-carrying capacity	[A]	4
Operating voltage range	AC [V]	≤250
	DC [V]	≤300
Protection class	IP65/IP67	
Design		
Cable length	[m]	2.5 5
Cable composition	[mm ²]	3x 0.25
Wire ends	Tin-coated	
Ambient temperature		
Fixed cable installation	[°C]	-40 ... +70
Flexible cable installation	[°C]	-5 ... +70
Materials		
Cable sheath	Polyurethane	

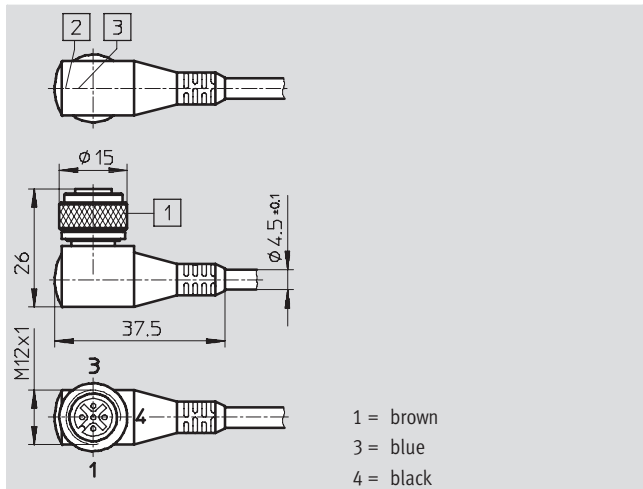
Ordering data					
		Part No.	Type	Part No.	Type
Connection direction			In-line		Lateral
Cable length [m]	2.5	159 428	SIM-M12-3GD-2,5-PU	159 430	SIM-M12-3WD-2,5-PU
	5	159 429	SIM-M12-3GD-5-PU	159 431	SIM-M12-3WD-5-PU

Plug sockets with cable SIM

Technical data – M12, 3-pin with switching status display

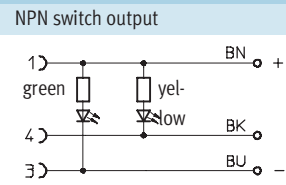
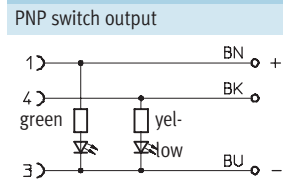
SIM-M12-3WD-...-PSL-PU
SIM-M12-3WD-...-NSL-PU

- Ready status display and switching status display with LED



General technical data			
		SIM-M12-3WD-2,5-...-PU	SIM-M12-3WD-5-...-PU
Electrical data			
Switch output		PNP or NPN	
Electrical connection		Angled socket, M12x1, 3-pin	
Current-carrying capacity	[A]	4	
Operating voltage range	DC [V]	10 ... 30	
Protection class		IP65/IP67	
Design			
Cable length	[m]	2.5	5
Cable composition	[mm ²]	3x 0.25	
Wire ends		Tin-coated	
Ready status display		LED green	
Switching status display		LED yellow	
Ambient temperature			
Fixed cable installation	[°C]	-40 ... +70	
Flexible cable installation	[°C]	-5 ... +70	
Materials			
Cable sheath		Polyurethane	

Circuit diagram and pin allocation



Ordering data					
		Part No.	Type	Part No.	Type
Switch output		PNP		NPN	
Cable length [m]	2.5	159 432	SIM-M12-3WD-2,5-PSL-PU	159 434	SIM-M12-3WD-2,5-NSL-PU
	5	159 433	SIM-M12-3WD-5-PSL-PU	159 435	SIM-M12-3WD-5-NSL-PU