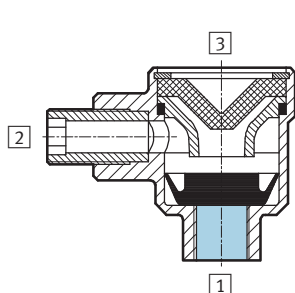


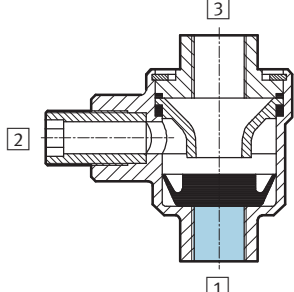
Quick-exhaust valves SE/SEU





# Quick-exhaust valves SE/SEU

Key features, product range overview and type code

Features	SE	SEU
<p><b>Function</b></p> <p>These components allow higher piston speeds to be achieved on the return stroke of single and double-acting cylinders.</p> <p>Compressed air flows from the pilot valve and via the quick exhaust valve to the cylinder. The exhaust port 3 is closed at this time. When the pressure at 1 falls, exhaust flow occurs from 2 to 3.</p>	<p>In order to achieve the full benefit of the quick exhaust function, the valve must be connected directly to the port of the cylinder.</p> <p>In the quick exhaust valve SEU the exhaust noise is reduced by a silencer.</p>	



Product range overview				
Function	Design	Type	Pneumatic connection	→ Page/Internet
Quick exhaust valves	<b>Without silencer</b>			
		SE	G $\frac{1}{8}$	3
			G $\frac{1}{4}$	
			G $\frac{3}{8}$	
			G $\frac{1}{2}$	
	<b>With silencer</b>			
		SEU	G $\frac{1}{8}$	5
			G $\frac{1}{4}$	
			G $\frac{3}{8}$	
			G $\frac{1}{2}$	

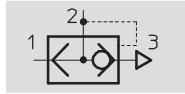
Type codes	
SE – $\frac{1}{8}$ – B	
<b>Type</b>	
SE	Quick exhaust valve
SEU	Quick exhaust valve with silencer
<b>Pneumatic connection</b>	
$\frac{1}{8}$	G $\frac{1}{8}$
$\frac{1}{4}$	G $\frac{1}{4}$
$\frac{3}{8}$	G $\frac{3}{8}$
$\frac{1}{2}$	G $\frac{1}{2}$
<b>Generation</b>	
	Series A
B	Series B

# Quick-exhaust valves SE


Technical data

FESTO

Function



Without silencer

-  Flow rate  
660 ... 6,480 l/min



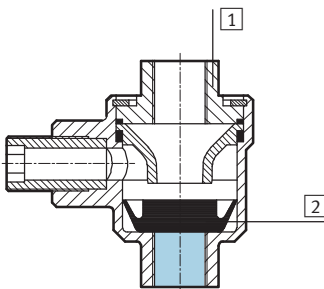
SE-1/8-B

General technical data					
Pneumatic connection		G1/8	G1/4	G3/8	G1/2
Valve function		Quick exhaust			
Type of mounting		Can be screwed in			
Mounting position		Any			
Nominal size	[mm]	5	7	11	15
Standard nominal flow rate	1 > 2 [l/min]	300	960	2,880	4,560
Standard nominal flow rate	2 > 3 [l/min]	660	1,200	2,760	6,480
Product weight	[g]	75	100	125	200

Operating and environmental conditions					
Pneumatic connection		G1/8	G1/4	G3/8	G1/2
Operating medium		Filtered compressed air, lubricated or unlubricated			
Operating pressure	[bar]	0.5 ... 10			
Ambient temperature	[°C]	-20 ... +75			
Temperature of medium	[°C]	-20 ... +75			

## Materials

Sectional view



Quick exhaust valve	Pneumatic connection	
1 Housing	G1/8, G1/4	Die-cast zinc
	G3/8, G1/2	Die-cast aluminium
2 Seals		Nitrile rubber

# Quick-exhaust valves SE

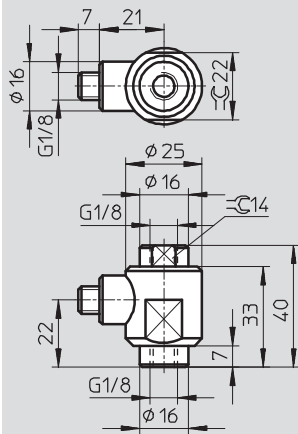
Technical data

FESTO

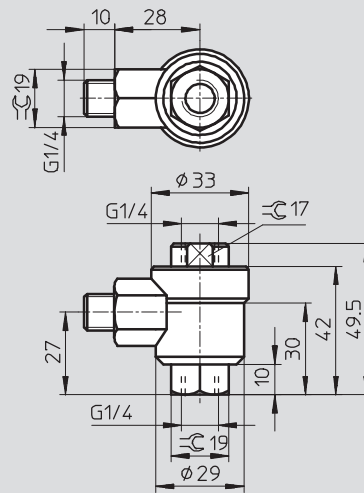
## Dimensions

Download CAD data → [www.festo.com](http://www.festo.com)

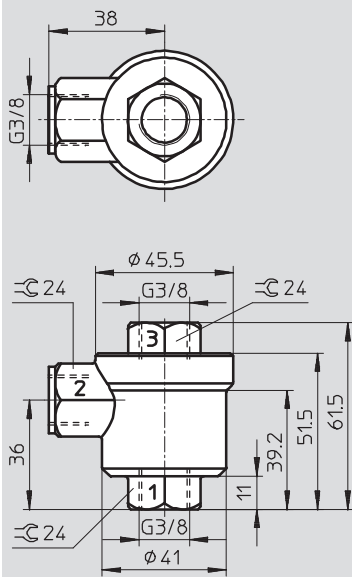
### Pneumatic connection G<sup>1</sup>/<sub>8</sub>



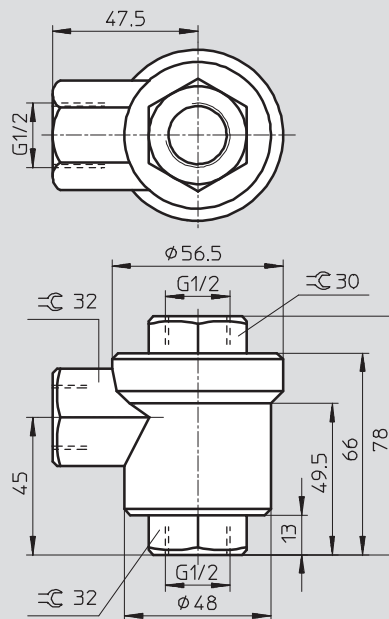
### Pneumatic connection G<sup>1</sup>/<sub>4</sub>



### Pneumatic connection G<sup>3</sup>/<sub>8</sub>



### Pneumatic connection G<sup>1</sup>/<sub>2</sub>



1 = Compressed air connection

2 = Outlet line

3 = Exhaust

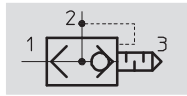
## Ordering data

Circuit symbol	Pneumatic connection	Part No.	Type
	G <sup>1</sup> / <sub>8</sub>	9685	SE- <sup>1</sup> / <sub>8</sub> -B
	G <sup>1</sup> / <sub>4</sub>	9686	SE- <sup>1</sup> / <sub>4</sub> -B
	G <sup>3</sup> / <sub>8</sub>	9687	SE- <sup>3</sup> / <sub>8</sub> -B
	G <sup>1</sup> / <sub>2</sub>	9688	SE- <sup>1</sup> / <sub>2</sub> -B


# Quick-exhaust valves SEU

Technical data

Function



With silencer

-  - Flow rate  
550 ... 4,020 l/min

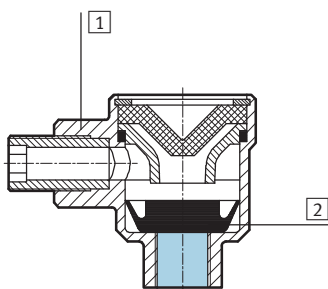


General technical data					
Pneumatic connection		G1/8	G1/4	G3/8	G1/2
Valve function		Quick exhaust			
Type of mounting		Can be screwed in			
Mounting position		Any			
Nominal size	[mm]	5	7	11	15
Standard nominal flow rate	1 > 2 [l/min]	300	960	2,880	4,560
Standard nominal flow rate	2 > 3 [l/min]	550	1,100	2,280	4,020
Product weight	[g]	65	120	160	320
Noise level	[dB (A)]	85			

Operating and environmental conditions					
Pneumatic connection		G1/8	G1/4	G3/8	G1/2
Operating medium		Filtered compressed air, lubricated or unlubricated			
Operating pressure	[bar]	0,5 ... 10			
Ambient temperature	[°C]	-20 ... +75			
Temperature of medium	[°C]	-20 ... +75			

## Materials

Sectional view



Quick exhaust valve	Pneumatic connection	
1 Housing	G1/8, G1/4	Die-cast zinc
	G3/8, G1/2	Die-cast aluminium
2 Seals		Nitrile rubber

# Quick-exhaust valves SEU

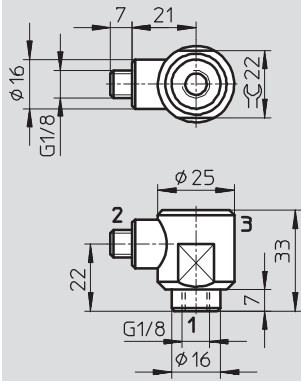
Technical data

FESTO

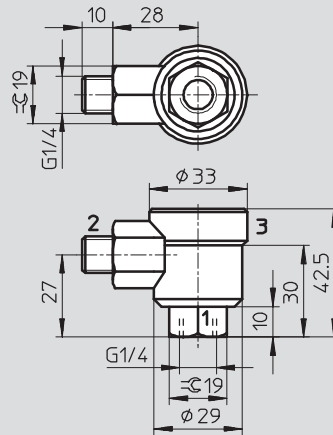
## Dimensions

Download CAD data → [www.festo.com](http://www.festo.com)

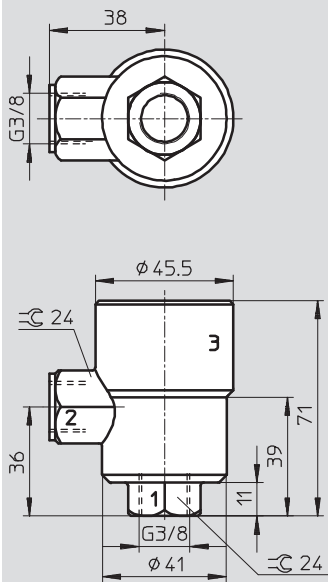
Pneumatic connection G $\frac{1}{8}$



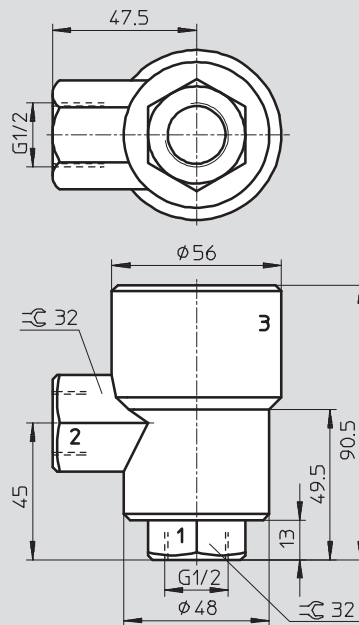
Pneumatic connection G $\frac{1}{4}$



Pneumatic connection G $\frac{3}{8}$



Pneumatic connection G $\frac{1}{2}$



1 = Compressed air connection

2 = Outlet line

3 = Exhaust

## Ordering data

Design	Pneumatic connection	Part No.	Type
	G $\frac{1}{8}$	4616	SEU- $\frac{1}{8}$
	G $\frac{1}{4}$	6753	SEU- $\frac{1}{4}$
	G $\frac{3}{8}$	6755	SEU- $\frac{3}{8}$
	G $\frac{1}{2}$	6822	SEU- $\frac{1}{2}$

# Quick-exhaust valves SE/SEU

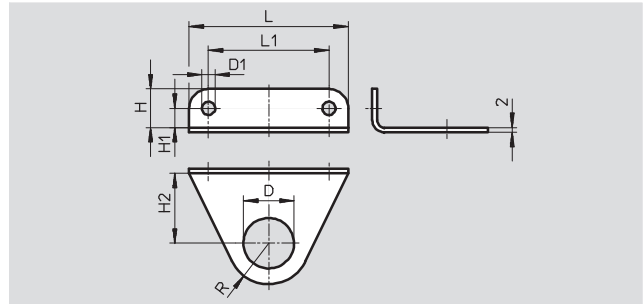
Accessories

FESTO



## Mounting bracket HSE

Material:

Anodised aluminium



Dimensions and ordering data											
For connecting thread	D Ø	D1 Ø	H	H1	H2	L	L1	R	Weight [g]	Part No.	Type
G $\frac{1}{8}$	10	4.5	11	6	13.5	40	30	10	5.1	<b>8 710</b>	<b>HSE-<math>\frac{1}{8}</math></b>
G $\frac{1}{4}$	13.2	4.5	11	6	17	42	32	14	6.4	<b>8 711</b>	<b>HSE-<math>\frac{1}{4}</math></b>
G $\frac{3}{8}$	16.8	5.5	13	7	23.5	54	42	13	9	<b>8 712</b>	<b>HSE-<math>\frac{3}{8}</math></b>
G $\frac{1}{2}$	21	5.5	16	8	29	66	50	17	14	<b>8 713</b>	<b>HSE-<math>\frac{1}{2}</math></b>

Ordering data		Part No.	Type
Push-in/threaded fittings QS			
		→	Internet: quick star
Silencers			
		→	Internet: u