

Sealing components

FESTO



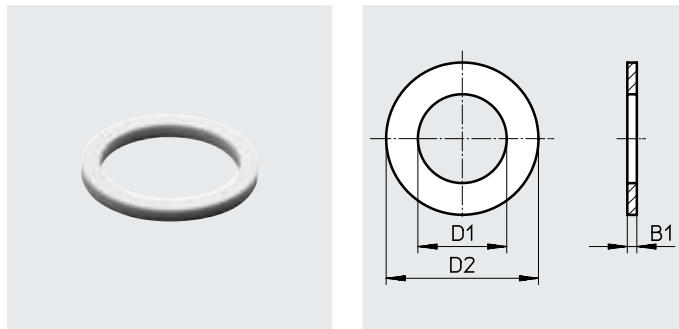
Sealing ring O

Data sheet

Sealing ring O

Material:
 Sealing ring O: PVC
 Sealing ring O-M3-B: PA

Note on materials:
 Free of copper and PTFE
 RoHS-compliant



Dimensions and ordering data							
For thread	Nominal tightening torque [Nm]	D1	D2	B1	Part no.	Type	PU ¹⁾
M3	–	2.8	4.8	0.3	30290	O-M3-B	1
M5	1.78 ±20%	5.1	8	1	3565	O-M5	1
					534226	O-M5-500	500
G1/8	10.55 ±20%	10	13	1.5	2223	O-1/8	1
					534227	O-1/8-500	500
G1/4	9.05 ±20%	13.2	18	2	2224	O-1/4	1
					534228	O-1/4-200	200
G3/8	38.5 ±20%	16.8	22	2	2225	O-3/8	1
					534229	O-3/8-200	200
G1/2	47.9 ±20%	21	28	2	2226	O-1/2	1
					534230	O-1/2-100	100
G3/4	45 ±20%	26.5	33	2	2227	O-3/4	1
G1	–	33.3	38.9	2	210893	O-1	1

1) Packaging unit

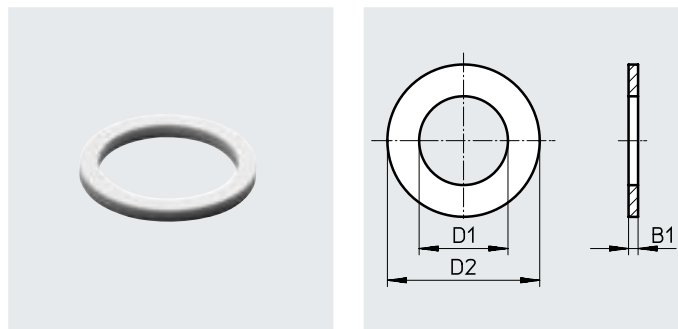
Data sheet

Sealing ring CRO

Sealing ring CRO for use in the chemical or food industries

Material:
PVDF

Note on materials:
RoHS-compliant



General technical data

Mounting position	Any
-------------------	-----

Operating and environmental conditions

Operating medium	Compressed air to ISO 8573-1:2010 [7:-:-]
Note on the operating/pilot medium	Lubricated operation possible
Food-safe ¹⁾	See supplementary material information

1) Additional information: www.festo.com/catalogue/... → Support/Downloads.

Dimensions and ordering data

For thread	D1	D2	B1	Weight/piece [g]	Part no.	Type	PU ¹⁾
M5	5.1	8	1	0.05	165191	CRO-M5	1
G1/8	10	13	2	0.19	575895	CRO-1/8	1
G1/4	13.2	18	2	0.42	165193	CRO-1/4	1
G3/8	16.8	22	2	0.56	165194	CRO-3/8	1
G1/2	21	28	2	0.96	165195	CRO-1/2	1
G3/4	26.5	33	2	1.08	165196	CRO-3/4	1
G1	33.3	38.9	2	1.13	165197	CRO-1	1



1) Packaging unit

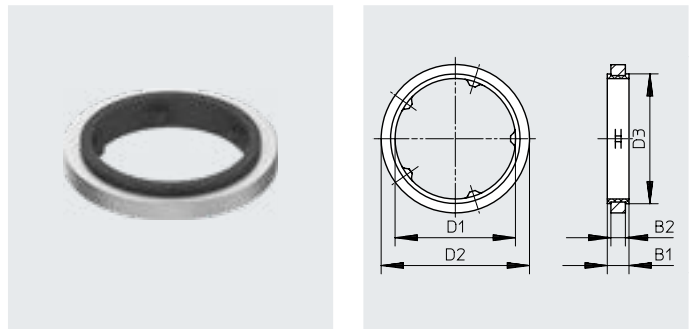
Sealing ring OL

Data sheet

Sealing ring OL With metal housing

- Based on ISO 16030
- Creates a seal when hand-tightened at room temperature
- Captive design
- Re-usable
- Compatible with the existing sealing rings O and OK

-  Temperature range
-40 ... +100°C
-  Pressure
-0.95 ... +30 bar
(OL-1: -0,95 ... +25 bar)



Operating and environmental conditions		M5	M6	M7	G1/8	G1/4	G3/8	G1/2	G3/4	G1
For thread										
Operating pressure for entire temperature range	[Mpa]	-0.095 ... +3								
	[bar]	-0.95 ... +30								
	[psi]	-13.775 ... +435								
Based on standard		ISO 16030								
Hand tightened at RT		Yes								
Ambient temperature	[°C]	-40 ... +100								
PWIS conformity		VDMA24364-B2-L								
Corrosion resistance class CRC ¹⁾		2								

1) Corrosion resistance class CRC 2 to Festo standard FN 940070
Moderate corrosion stress. Indoor applications in which condensation can occur. External visible parts with primarily decorative surface requirements which are in direct contact with a normal industrial environment.

Materials	
Stop ring	Aluminium
Seal	HNBR
Note on materials	RoHS-compliant

Dimensions and ordering data										
For thread	Nominal tightening torque [Nm]	D1	D2	D3	B1	B2	Weight/ piece [g]	Part no.	Type	PU ¹⁾
M5	2.5 ±20%	5.4	7.7 ±0.1	6.8	1.5	0.8	0.06	34634	OL-M5	1
								534231	OL-M5-500	500
M6	2.5 ±20%	6.4	8.3 ±0.1	7.4	1.5	0.8	0.05	161180	OL-M6	1
M7	3 ±20%	7.4	10.1 ±0.1	8.5	1.7	1	0.1	8153155	OL-M7	1
G1/8	6 ±20%	10.2	13 ±0.1	11.6	1.7	1	0.14	33840	OL-1/8	1
								534232	OL-1/8-500	500
G1/4	10 ±20%	13.7	17 ±0.1	15.1	2.2	1.5	0.32	34635	OL-1/4	1
								534233	OL-1/4-200	200
G3/8	13 ±20%	17.3	21 ±0.1	18.8	2.7	2	0.57	34636	OL-3/8	1
								534234	OL-3/8-200	200
G1/2	23 ±20%	21.6	25.2 ±0.1	23.2	2.7	2	0.68	34637	OL-1/2	1
								534235	OL-1/2-100	100
G3/4	23 ±20%	27	31.1 ±0.1	29	2.7	2	0.95	34638	OL-3/4	1
G1	23 ±20%	33.8	37.6 ±0.1	35.6	2.7	2	1.09	8153156	OL-1	1


1) Packaging unit


Data sheet

Sealing ring OK

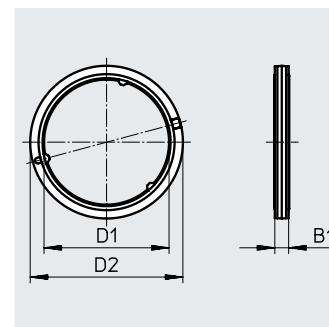
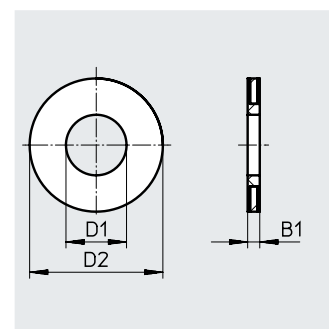
With support ring

- Based on ISO 16030
- Creates a seal when hand-tightened at room temperature and also when tightened using appropriate tools
- Captive design
- Compatible with the existing sealing rings O and OL

-  - Temperature range
-10 ... +60°C

-  - Pressure
-0.95 ... +10 bar

Note on materials:
Free of copper and PTFE
RoHS-compliant



Operating and environmental conditions

Operating pressure for entire temperature range	[bar]	-0.95 ... +10
Operating medium		Compressed air to ISO 8573-1:2010 [7:4:4]
Note on the operating/pilot medium		Lubricated operation possible (in which case lubricated operation will always be required)
Ambient temperature	[°C]	-10 ... +60
Corrosion resistance class CRC ¹⁾		2

1) Corrosion resistance class CRC 2 to Festo standard FN 940070

Moderate corrosion stress. Indoor applications in which condensation can occur. External visible parts with primarily decorative surface requirements which are in direct contact with a normal industrial environment.

Dimensions and ordering data

For thread	Nominal tightening torque [Nm]	D1	D2	B1	Weight [g]	Part no.	Type	PU ¹⁾
Stainless steel, nitrile rubber								
M3	0.48 ±55%	2.5	5.0	0.5	0.1	130849	OK-M3	1
M5	1.33 ±20%	4.3	7.8	0.5	0.1	130850	OK-M5	1
M7	3.35 ±20%	6.4	9.8	0.5	0.1	130851	OK-M7	1
Polyamide, thermoplastic polyurethane								
G1/8	3.5 ±20%	9.9	13.2	1.60	0.12	531771	OK-1/8	1
G1/4	11 ±10%	13.3	18.3	2.20	0.32	531772	OK-1/4	1
G3/8	12.5 ±20%	16.8	22.3	2.20	0.44	531773	OK-3/8	1
G1/2	14 ±20%	21.2	26.7	2.35	0.6	531774	OK-1/2	1
G3/4	35 ±10%	26.7	32.6	2.95	1	531775	OK-3/4	1

1) Packaging unit

Sealing ring assortment

Data sheet

Sealing ring assortment OL-S1

This box of polymer sealing rings contains sealing rings OL ranging in size from M5 to G3/4, ensuring the right sealing ring is available.



Ordering data					
Contents	Pieces	Nominal tightening torque [Nm]		Part no.	Type
OL-M5	50	2.5 ±20%		161355	OL-S1
OL-1/8	100	6 ±20%			
OL-1/4	100	10 ±20%			
OL-3/8	40	13 ±20%			
OL-1/2	30	23 ±20%			
OL-3/4	10	23 ±20%			

Sealing ring assortment OK-S1

This sealing ring assortment contains sealing rings OK ranging in size from M3 to G3/4, ensuring the right sealing ring is available.



Note on materials:
RoHS-compliant

Ordering data					
Contents	Pieces	Nominal tightening torque [Nm]	Weight [g]	Part no.	Type
OK-M3	50	0.48 ±55%	0.1	570465	OK-S1
OK-M5	100	1.33 ±20%	0.1		
OK-M7	50	3.35 ±20%	0.1		
OK-1/8	100	3.5 ±20%	0.12		
OK-1/4	100	11 ±10%	0.32		
OK-3/8	40	12.5 ±20%	0.44		
OK-1/2	30	14 ±20%	0.6		
OK-3/4	10	35 ±10%	1		

Data sheet

Thread sealing tape GWB-0.1



Ordering data

Width [mm]	Thickness [mm]	Length [m]	Part no.	Type
12	0.1	12	9076	GWB-0.1