

# Sealing material

Technical data



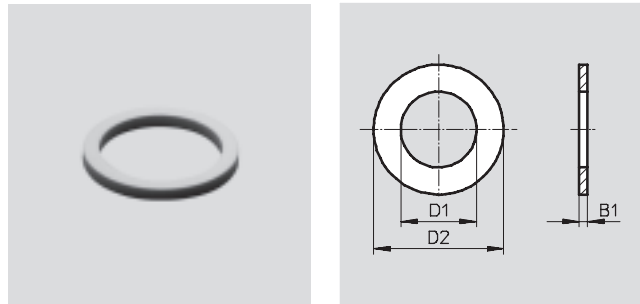
## Sealing ring O/CRO

Sealing ring CRO for use in the chemicals and food processing industries

Pressure  
-0.95 ... +10 bar

Material:  
Sealing ring O: Polyvinyl chloride  
Sealing ring O-M3-B: Polyamide  
Free of copper, PTFE and silicone

Sealing ring CRO:  
Polyvinylidene fluoride



Dimensions and ordering data								
For thread	Temperature range [°C]	D1	D2	B1	Part No.	Type	PU*	
<b>Sealing ring O</b>								
M3	-40 ... +100	2.8	4.8	0.3	<b>30 290</b>	<b>O-M3-B</b>	<b>1</b>	
M5	-10 ... +60	5.1	8	1	<b>3 565</b>	<b>O-M5</b>	<b>1</b>	
					<b>534 226</b>	<b>O-M5-500</b>	<b>500</b>	
G <sup>1</sup> / <sub>8</sub>		10	13	1.5	<b>2 223</b>	<b>O-<sup>1</sup>/<sub>8</sub></b>	<b>1</b>	
					<b>534 227</b>	<b>O-<sup>1</sup>/<sub>8</sub>-500</b>	<b>500</b>	
G <sup>1</sup> / <sub>4</sub>		13.2	18	2	<b>2 224</b>	<b>O-<sup>1</sup>/<sub>4</sub></b>	<b>1</b>	
					<b>534 228</b>	<b>O-<sup>1</sup>/<sub>4</sub>-200</b>	<b>200</b>	
G <sup>3</sup> / <sub>8</sub>		16.8	22	2	<b>2 225</b>	<b>O-<sup>3</sup>/<sub>8</sub></b>	<b>1</b>	
					<b>534 229</b>	<b>O-<sup>3</sup>/<sub>8</sub>-200</b>	<b>200</b>	
G <sup>1</sup> / <sub>2</sub>		21	28	2	<b>2 226</b>	<b>O-<sup>1</sup>/<sub>2</sub></b>	<b>1</b>	
					<b>534 230</b>	<b>O-<sup>1</sup>/<sub>2</sub>-100</b>	<b>100</b>	
G <sup>3</sup> / <sub>4</sub>		26.5	33	2	<b>2 227</b>	<b>O-<sup>3</sup>/<sub>4</sub></b>	<b>1</b>	
G1		33.3	38.9	2	<b>210 893</b>	<b>O-1</b>	<b>1</b>	
<b>Sealing ring CRO</b>								
M5		-40 ... +80	5.1	8	1	<b>165 191</b>	<b>CRO-M5</b>	<b>1</b>
G <sup>1</sup> / <sub>8</sub>	10		13	1.5	<b>165 192</b>	<b>CRO-<sup>1</sup>/<sub>8</sub></b>	<b>1</b>	
G <sup>1</sup> / <sub>4</sub>	13.2		18	2	<b>165 193</b>	<b>CRO-<sup>1</sup>/<sub>4</sub></b>	<b>1</b>	
G <sup>3</sup> / <sub>8</sub>	16.8		22	2	<b>165 194</b>	<b>CRO-<sup>3</sup>/<sub>8</sub></b>	<b>1</b>	
G <sup>1</sup> / <sub>2</sub>	21		28	2	<b>165 195</b>	<b>CRO-<sup>1</sup>/<sub>2</sub></b>	<b>1</b>	
G <sup>3</sup> / <sub>4</sub>	26.5		33	2	<b>165 196</b>	<b>CRO-<sup>3</sup>/<sub>4</sub></b>	<b>1</b>	
G1	33.3		38.9	2	<b>165 197</b>	<b>CRO-1</b>	<b>1</b>	

\* Packaging unit quantity


## Sealing material

Technical data

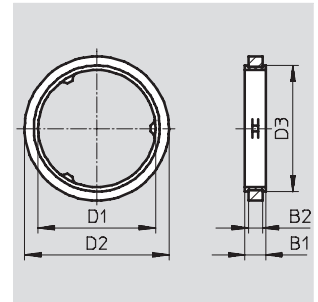
### Sealing ring OL with metal housing

- seals even with minimal tightening
- captive
- reusable
- suitable for use in hydraulic pressure range of up to 30 bar

 Temperature range  
-40 ... +100 °C

 Pressure  
-1 ... +30 bar

Material:  
Free of copper, PTFE and silicone



Dimensions and ordering data										
For thread	Max. perm. tightening torque [Nm]	D1	D2	D3	B1	B2	Weight [g]	Part No.	Type	PU*
Stainless steel, nitrile rubber										
M5	2	5.05	7.4	6.25	1.45	1	1	34 634	OL-M5	1
								534 231	OL-M5-500	500
G $\frac{3}{8}$	4	9.8	12.8	11.1	1.8	1.3	1	33 840	OL- $\frac{1}{8}$	1
								534 232	OL- $\frac{1}{8}$ -500	500
G $\frac{1}{4}$	11	13.2	16.8	14.4	2.2	1.6	1	34 635	OL- $\frac{1}{4}$	1
								534 233	OL- $\frac{1}{4}$ -200	200
Aluminium, nitrile rubber										
G $\frac{3}{8}$	40	16.65	20.5	17.9	2.95	1.95	2	34 636	OL- $\frac{3}{8}$	1
								534 234	OL- $\frac{3}{8}$ -200	200
G $\frac{1}{2}$	50	21	25.5	22.2	2.6	1.95	2	34 637	OL- $\frac{1}{2}$	1
								534 235	OL- $\frac{1}{2}$ -100	100
G $\frac{3}{4}$	100	26.5	32	28.4	2.6	1.95	2	34 638	OL- $\frac{3}{4}$	1

\* Packaging unit quantity


## Sealing material


Technical data

**FESTO**

### Sealing ring OK with support ring

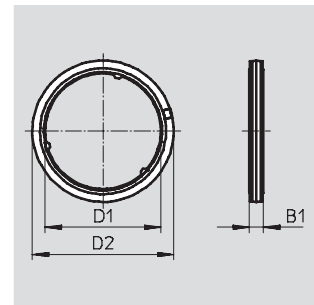
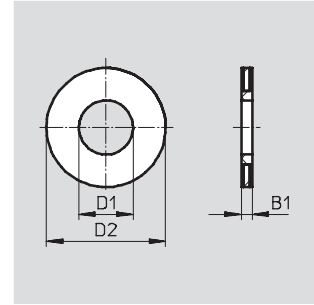
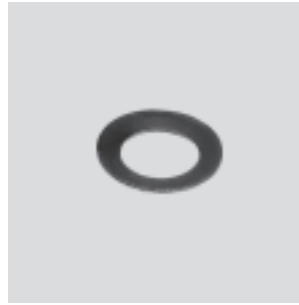
- Based on ISO 16030 standard
- Seals at room temperature when tightened by hand
- Captive design
- Compatible with the existing O and OL sealing rings






 Temperature range  
-10 ... +60 °C

 Pressure  
-0.95 ... +10 bar

Note on materials:  
Free of copper and PTFE  
Conforms to RoHS

Certification:  
Germanischer Lloyd



Dimensions and ordering data										
For thread	Min. tightening torque [Nm]	Max. tightening torque [Nm]	D1	D2	B1	CRC <sup>1)</sup>	Weight [g]	Part No.	Type	PU*
Stainless steel, nitrile rubber										
M3	0.15	0.8	2.5	5.5	0.5	2	0.04	130 849	OK-M3	1
M5	0.25	2.4	4.3	7.8	0.5		0.1	130 850	OK-M5	1
M7	0.3	6.4	6.4	9.8	0.5		0.1	130 851	OK-M7	1
Polyamide, thermoplastic polyurethane										
G <sup>1</sup> / <sub>8</sub>	2	5	9.9	13.15	1.60	2	0.12	531 771	OK-1/8	 New 1
G <sup>1</sup> / <sub>4</sub>	10	12	13.3	18.15	2.20		0.32	531 772	OK-1/4	 New 1
G <sup>3</sup> / <sub>8</sub>	10	15	16.8	22.15	2.20		0.44	531 773	OK-3/8	 New 1
G <sup>1</sup> / <sub>2</sub>	10	18	21.2	26.45	2.35		0.6	531 774	OK-1/2	 New 1
G <sup>3</sup> / <sub>4</sub>	30	40	26.7	32.45	2.95		1	531 775	OK-3/4	 New 1

1) Corrosion resistance class 2 according to Festo standard 940 070

Components requiring moderate corrosion resistance. Externally visible parts with primarily decorative surface requirements which are in direct contact with a normal industrial environment or media such as coolants or lubricating agents.

\* Packaging unit quantity

## Sealing material

Technical data

FESTO

### Sealing ring assortment OL-S1

This polymer assortment box contains OL sealing rings ranging in size from M5 to G $\frac{3}{4}$ .



Ordering data				
Contents	Quantity	Max. perm. tightening torque [Nm]	Weight [g]	Part No. Type
OL-M5	50	2	1	161 355 OL-S1
OL- $\frac{1}{8}$	100	4	1	
OL- $\frac{1}{4}$	100	11	1	
OL- $\frac{3}{8}$	40	40	2	
OL- $\frac{1}{2}$	30	50	2	
OL- $\frac{3}{4}$	10	100	2	

### Thread sealing tape GWB-0,1



Ordering data			
Width [mm]	Thickness [mm]	Length [m]	Part No. Type
10	0.1	12.5	9076 GWB-0,1