

Push-in fittings NPQP

FESTO



Key features

Application



Choosing the right fitting is effortless. With a system that includes well over 1000 types of standard and function fittings, Festo offers a secure solution for every connection.

Summary of tubing/fitting combinations

Applications	Fitting	Tubing	Description
Standard	QS(M)	PUN-H	Maximum flexibility in standard applications thanks to an extremely wide range of options for combining the different types.
	QS(M)	PEN	Suitable for a wide range of tasks and attractively priced. Flexible thanks to highly resistant materials, easy to install thanks to optimised bending radii. High level of abrasion resistance in dynamic applications.
	QS(M)	PAN	Meets all requirements, even for standard applications with increased pressure and temperature ranges.
High pressures	NPQM	PAN-MF	Meets DIN standard 73378: ideal for use in mobile pneumatics. Suitable for increased temperature ranges combined with high pressure ranges.
	NPQH	PAN-R	Powerful in pressure ranges up to 20 bar, for example in applications with the pressure booster DPA.
Resistant to chemicals, food-safe and hydrolysis-resistant	NPQP	PLN	Resistant to cleaning agents, FDA-compliant and economical. Can be used instead of the combination with stainless steel fittings.
	NPKA	PUN-H	Hydrolysis-resistant and suitable for water applications. Combination suitable for use in cleanrooms, FDA-compliant and corrosion-resistant as made from 100% polymer. Very easy to install with the "one click principle".
	NPQH	PFAN/PTFEN	For high temperatures up to 150 °C. Food-safe, FDA-compliant and resistant to cleaning agents.
	NPCK	PFAN/PTFEN	Easy to clean thanks to the union nut's edge-free design. Maximum corrosion resistance (CRC 4) and FDA-compliant. Suitable for a wide range of media.
	CRQS	PFAN/PTFEN	Maximum corrosion resistance (CRC 4) and maximum resistance to aggressive acids and alkalis.
Resistant to chemicals and hydrolysis	NPQR	PFAN/PTFEN	Optimised design, fewer edges where dirt can collect – all at an attractive price. For high temperatures up to 150 °C. Pressure range up to 16 bar. Maximum corrosion resistance (CRC 4).
Anti-static	NPQM	PUN-CM	Anti-static tubing plus solid metal fitting: maximum protection for electric and electronic components.
Flame-retardant	NPQM	PUN-V0	Very safe in areas where there is a risk of fire thanks to flame-retardant properties. The tubing has been tested to DIN 5510-2.
Resistant to welding spatter	NPQH	PUN-V0-C	Ideal for applications involving welding spatter. Reliable thanks to a tubing wall thickness of 2 mm for all diameters.
	QS-V0	PAN-V0	Safe even in the immediate vicinity of welding spatter thanks to double-walled tubing with special fitting.

Key features

Push-in fittings – Product range

QSM, mini series

Datasheets → Internet: qsm



Miniature push-in fittings for maximum component density in confined spaces. For pneumatic applications with a temperature range up to 80 °C and a pressure range up to 14 bar. Tubing O.D. of 2, 3, 4 and 6 mm with connecting threads M3, M5, M6, M7, R1/8 and G1/8.

QS, standard series

Datasheets → Internet: qs



Wide selection of push-in fittings for pneumatic applications with a temperature range up to 80°C and a pressure range up to 14 bar. Tubing O.D. of 4, 6, 8, 10, 12, 16 and 22 mm with connecting thread R1/8 ... R1/2 and G1/8 ... G3/4.

CRQS, stainless steel

Datasheets → Internet: crqs



Stainless steel push-in fitting. Maximum corrosion resistance CRC 4 and chemical resistance with approval for use in the food and packaging industry. For pneumatic applications with a temperature range up to 120 °C and a pressure range up to 10 bar. Tubing O.D. of 4, 6, 8, 10, 12 and 16 mm with connecting thread M5 and R1/8 ... R1/2.

QS-V0, resistant to welding spatter

Datasheets → Internet: qs-v0



Flame-retardant push-in fitting for use in all areas where there is a risk of fire, for example welding systems in the automotive industry, and in the construction industry. For pneumatic applications with a temperature range up to 60 °C and a pressure range up to 10 bar. Tubing O.D. of 4, 6, 8, 10 and 12 mm with connecting thread R1/8 ... R1/2 and G1/8 ... G1/2.

NPQH

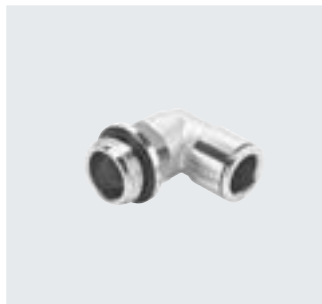
Datasheets → Internet: npqh



All metal push-in fitting made of chemically nickel-plated brass. High corrosion resistance CRC 3 and chemical resistance. For pneumatic applications with a temperature range up to 150 °C and a pressure range up to 20 bar. Tubing O.D. of 4, 6, 8, 10, 12 and 14 mm with connecting thread M5, M7 and G1/8 ... G1/2.

NPQM

Datasheets → Internet: npqm



Attractively priced metal push-in fitting for pneumatic applications with a temperature range up to 70 °C and a pressure range up to 16 bar. Tubing O.D. of 3, 4, 6, 8, 10, 12 and 14 mm with M5, M7 and G1/8 connecting thread ... G1/2.

NPQP

Datasheets → Internet: npqp



Polypropylene fitting for use in applications with extreme media influences. For pneumatic applications with a temperature range up to 60 °C and a pressure range up to 10 bar. Tubing O.D. of 4, 6, 8, 10 and 12 mm with connecting thread R1/8 ... R1/2.

NPQR, stainless steel

Datasheets → Internet: npqr



Stainless steel push-in fitting. Maximum corrosion resistance CRC 4 and chemical resistance. For pneumatic applications with a temperature range up to 150 °C and a pressure range up to 16 bar. Tubing O.D. of 4, 6, 8, 10 and 12 mm with connecting thread M5, M7 and G1/8 ... G1/2.

Key features

Functional push-in fittings – Product range

QSK,
push-in fitting, self-sealing

Datasheets → Internet: qsk



Push-in fitting that blocks the air flow after the tubing is disconnected. For pneumatic applications with a temperature range up to 60 °C and a pressure range up to 14 bar.
Tubing O.D. of 4, 6, 8, 10 and 12 mm with connecting thread M5, R1/8 ... R1/2 and G1/8 ... G1/2.

QSR,
push-in fitting, rotatable

Datasheets → Internet: qsr



Push-in fitting with swivel joint, rotatable by 360°. The ball bearing enables rotating movements in the application up to max. 500 rpm. For pneumatic applications with a temperature range up to 60°C and a pressure range up to 14 bar.
Tubing O.D. of 4, 6, 8, 10 and 12 mm with connecting thread M5, R1/8 ... R1/2 and G1/8 ... G1/2.

Quick connectors – Product range

NPCK

Datasheets → Internet: npck



Stainless steel fitting for use in areas subject to intensive cleaning. Maximum level of corrosion resistance CRC 4. For pneumatic applications with a temperature range up to 120 °C and a pressure range up to 12 bar.
Tubing O.D. of 6 mm with connecting thread G1/8.

Click fittings – Product range

NPKA

Datasheets → Internet: npka



Polymer fitting for easy installation with one hand. Hydrolysis-resistant, FDA-compliant and easy to clean. For pneumatic applications with a temperature range up to 60 °C and a pressure range up to 10 bar.
Tubing O.D. of 6 mm with connecting thread G1/8.

Technical data

General technical data

Size	Standard
Design	Push-pull principle

Operating and environmental conditions

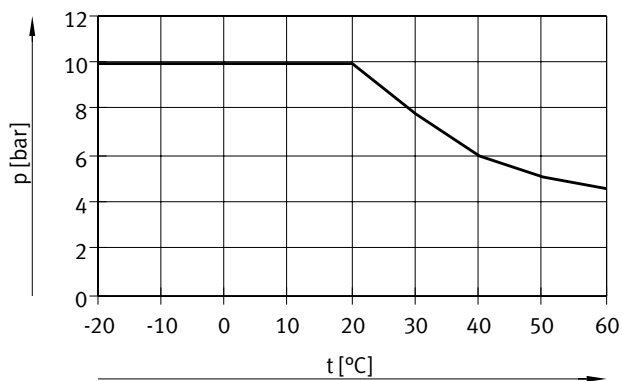
Temperature-dependent operating pressure	[bar] -0.95 ... +10
Operating medium	Compressed air to ISO 8573-1:2010 [7:-:-]
Note on the operating/pilot medium	Lubricated operation possible
Ambient temperature	[°C] -20 ... +60 Extended temperature range on request
Corrosion resistance class CRC ¹⁾	4 - Particularly high corrosion stress
Food-safe ²⁾	See supplementary material information

- 1) Corrosion resistance class CRC 4 to Festo standard FN 940070
Particularly high corrosion stress. Outdoor exposure under extreme corrosive conditions. Parts exposed to aggressive media, e.g. in the chemical or food industries. Such applications may need to be safeguarded with special testing (→ also FN 940082) using appropriate media.
- 2) Additional information: www.festo.com/catalogue/npqp → Support/Downloads.

Materials

Type	NPQP	NPQP-H
Housing	PP	
Tube clamping segment	High-alloy stainless steel	
Nut	-	High-alloy stainless steel
Note on materials	RoHS-compliant Contains paint-wetting impairment substances	

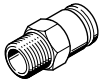
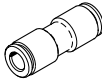
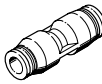

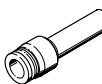
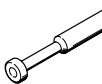
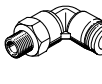
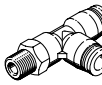

Operating pressure p as a function of temperature t



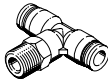


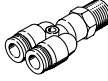
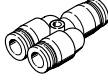
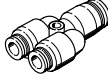
Note

Leaks can occur with large temperature fluctuations due to the high expansion coefficient of polypropylene in combination with the R thread. To avoid this, it is recommended to seal the thread with Loctite® 55 thread sealing tape.

Product range overview

Design	Version	Type	Connection D1			Connection D2		→ Page
			R thread	Tubing O.D.	Push-in sleeve ø	Tubing O.D.	Push-in sleeve ø	
Straight shape	Push-in fitting – Male thread with external hex							
		NPQP-D	R1/8	–	–	4, 6, 8	–	8
			R1/4			4, 6, 8, 10		
			R3/8			10, 12		
			R1/2			12		
	Push-in connector							
		NPQP-D	–	–	–	4	–	9
			4			6		
			6			8		
			8			10		
10			12					
	NPQP-D Reducing	–	–	–	6	–	9	
		6			8			
		8			10			
		10			12			
		12			10			
Push-in bulkhead connector								
	NPQP-H	–	–	–	4	–	10	
		4			6			
		6			8			
		8			10			
		10			12			
Push-in connector with push-in sleeve								
	NPQP-D-...-S	–	–	–	4	6, 8	10	
		4			8, 10			
		6			10, 12			
		8			12			
		10						
Blanking plug								
	NPQP-P	–	–	–	4	–	11	
		4			6			
		6			8			
		8			10			
		10			12			
L-shape	Push-in L-fitting – Male thread with external hex							
		NPQP-L	R1/8	–	–	4, 6, 8	–	12
			R1/4			4, 6, 8, 10		
			R3/8			10, 12		
			R1/2			12		
	Push-in L-fitting – Male thread with external hex							
		NPQP-LQ	–	–	–	4, 6, 8	–	13
			4			4, 6, 8, 10		
			6			10, 12		
			8			12		
Push-in L-connector								
	NPQP-L	–	–	–	4	–	13	
		4			6			
		6			8			
		8			10			
		10			12			

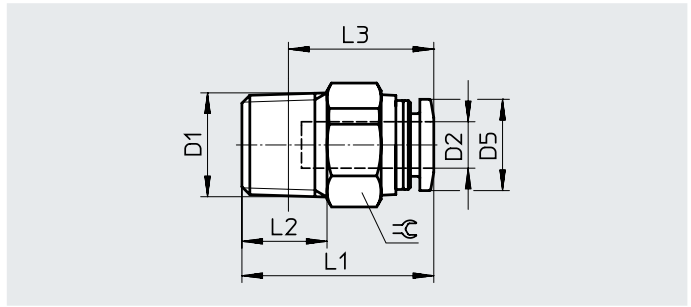
Product range overview

Design	Version	Type	Connection D1			Connection D2		→ Page
			R thread	Tubing O.D.	Push-in sleeve ø	Tubing O.D.	Push-in sleeve ø	
T-shape	Push-in T-fitting – Male thread with external hex							
		NPQP-T	R1/8	–	–	4, 6, 8	–	14
			R1/4			4, 6, 8, 10		
			R3/8			10, 12		
			R1/2			12		
	Push-in T-connector							
		NPQP-T	–	–	–	4	–	15
			4			6		
			6			8		
			8			10		
10			12					
	NPQP-T Reducing	–	–	–	6	–	15	
		6			8			
		8			10			
		10			12			
		12			10			
Y-shape	Push-in Y-fitting – male thread with external hex							
		NPQP-Y	R1/8	–	–	4, 6, 8	–	16
			R1/4			4, 6, 8, 10		
			R3/8			10, 12		
			R1/2			12		
	Push-in Y-connector							
		NPQP-Y	–	–	–	4	–	17
			4			6		
			6			8		
			8			10		
10			12					
	NPQP-Y Reducing	–	–	–	6	–	17	
		6			8			
		8			10			
		10			12			
		12			10			

Datasheet

Push-in fitting NPQP-D

Male thread
with external hex



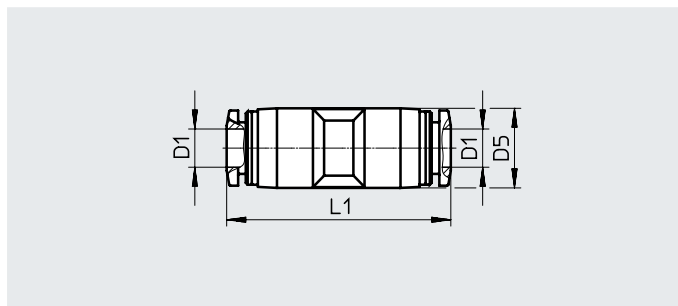
Dimensions and ordering data

Connection	Nominal width [mm]	Tubing O.D. D2	D5	L1	L2	L3	⌀	Weight/piece [g]	Part no.	Type	PU ¹⁾								
R1/8	2.1	4	9.9	21.1	8	17.1	12	2.5	133152	NPQP-D-R18-Q4-FD	1								
									133041	NPQP-D-R18-Q4-FD-P10	10								
	3.4	6	11.8	22.8	8	18.8	14	3.0	133153	NPQP-D-R18-Q6-FD	1								
									133043	NPQP-D-R18-Q6-FD-P10	10								
									5.3	8	13.8	27.9	8	23.9	17	4.5	133154	NPQP-D-R18-Q8-FD	1
133045	NPQP-D-R18-Q8-FD-P10	10																	
R1/4	2.1	4	9.9	22.3	11	16.3	14	3.5	133042	NPQP-D-R14-Q4-FD-P10	10								
									133155	NPQP-D-R14-Q6-FD	1								
	3.4	6	11.8	24.8	11	18.8	14	3.5	133044	NPQP-D-R14-Q6-FD-P10	10								
									5.3	8	13.8	26.6	11	20.6	17	4.5	133156	NPQP-D-R14-Q8-FD	1
																	133046	NPQP-D-R14-Q8-FD-P10	10
	6.2	10	16.8	32.6	11	26.6	19	7.0	133157	NPQP-D-R14-Q10-FD	1								
133047									NPQP-D-R14-Q10-FD-P10	10									
R3/8	6.2	10	16.8	33.6	12	27.3	19	8.0	133158	NPQP-D-R38-Q10-FD	1								
									133048	NPQP-D-R38-Q10-FD-P10	10								
	7.2	12	19.8	37.6	12	31.3	22	12.0	133159	NPQP-D-R38-Q12-FD	1								
133049									NPQP-D-R38-Q12-FD-P10	10									
R1/2	7.2	12	19.8	34.1	15	25.9	22	12.0	133050	NPQP-D-R12-Q12-FD	1								

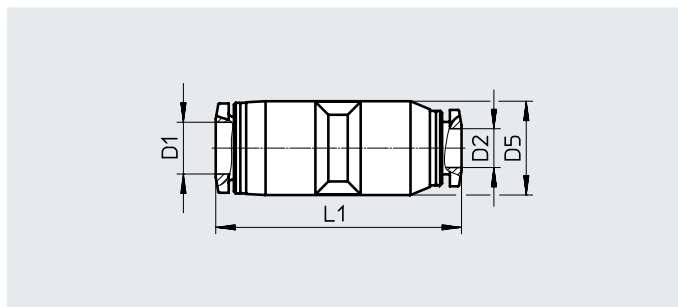
1) Packaging unit

Datasheet

Push-in connector NPQD-D



Reducing



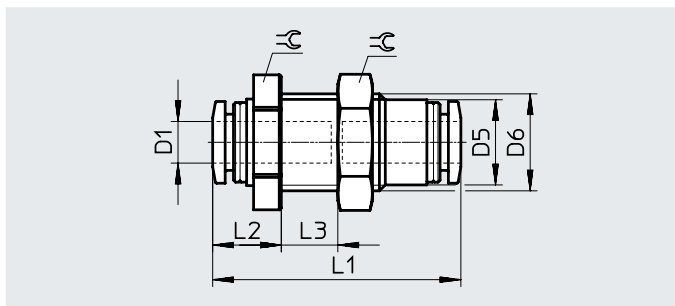
Dimensions and ordering data

Tubing O.D. D1	Nominal width [mm]	Tubing O.D. D2	D5 ∅	L1	Weight/piece [g]	Part no.	Type	PU ¹⁾
4	2.8	–	10.0	31.0	4.0	133091	NPQP-D-Q4-E-FD-P10	10
6	4.3	–	12.5	35.2	5.5	133092	NPQP-D-Q6-E-FD-P10	10
8	7.0	–	14.5	37.8	8.0	133093	NPQP-D-Q8-E-FD-P10	10
10	9.0	–	17.5	41.8	13.0	133094	NPQP-D-Q10-E-FD-P10	10
12	11.0	–	21.0	48.2	19.0	133095	NPQP-D-Q12-E-FD-P10	10
Reducing								
6	2.8	4	12.5	34.6	5.5	133096	NPQP-D-Q6-Q4-FD-P10	10
8	4.3	6	14.5	38.0	7.0	133168	NPQP-D-Q8-Q6-FD	1
						133097	NPQP-D-Q8-Q6-FD-P10	10
10	6.5	8	17.5	41.3	12.0	133169	NPQP-D-Q10-Q8-FD	1
						133098	NPQP-D-Q10-Q8-FD-P10	10
12	9.0	10	21.0	48.0	18.0	133099	NPQP-D-Q12-Q10-FD-P10	10

1) Packaging unit

Datasheet

Push-in bulkhead connector NPQP-H



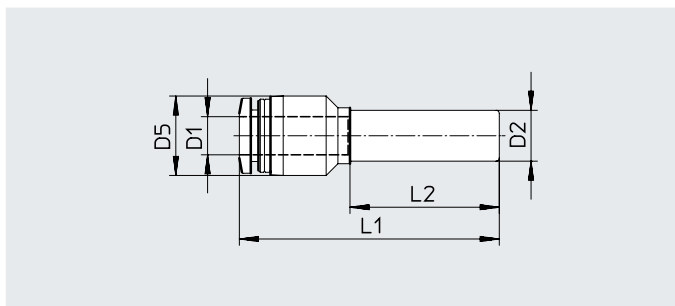
Dimensions and ordering data

Tubing O.D. D1	Nominal width [mm]	D5 ø	D6	L1	L2	L3 max.	⌀	Weight/piece [g]	Part no.	Type	PU ¹⁾
4	2.3	10	M12x1.5	31.6	9.3	6.5	14	7.2	133100	NPQP-H-Q4-E-FD	1
6	3.7	12.3	M14x1.5	35.8	9.9	9.5	17	10.2	133101	NPQP-H-Q6-E-FD	1
8	4.9	14.2	M16x1.5	38.4	10.7	9	19	14.3	133102	NPQP-H-Q8-E-FD	1
10	7.1	17.5	M20x2	43.4	13.2	12	24	24.4	133103	NPQP-H-Q10-E-FD	1
12	7.8	21	M24x2	48.8	13.4	14	27	30.4	133104	NPQP-H-Q12-E-FD	1

1) Packaging unit

Push-in connector NPQP-D

With push-in sleeve



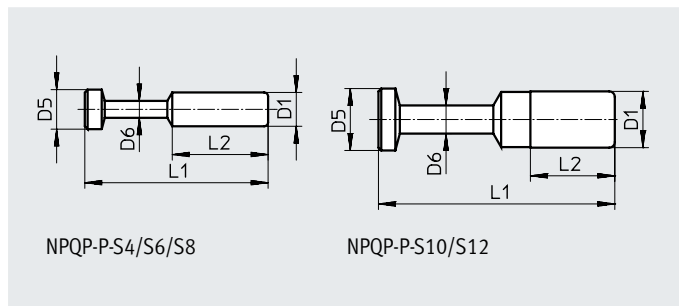
Dimensions and ordering data

Tubing O.D. D1	Nominal width [mm]	Push-in sleeve ø D2	D5 ø	L1	L2	Weight/piece [g]	Part no.	Type	PU ¹⁾
4	2.5	6	10.0	37.8	22.3	2.4	133133	NPQP-D-Q4-S6-FD-P10	10
	2.4	8	12.5	40.3	23.3	3.0	133134	NPQP-D-Q4-S8-FD-P10	10
6	3.8	8	12.5	40.9	23.3	3.2	133135	NPQP-D-Q6-S8-FD-P10	10
	3.8	10	12.5	43.9	28.3	3.6	133136	NPQP-D-Q6-S10-FD-P10	10
8	5.4	10	14.5	43.7	24.8	4.7	133137	NPQP-D-Q8-S10-FD-P10	10
	5.4	12	14.5	49.7	33.5	5.4	133138	NPQP-D-Q8-S12-FD-P10	10
10	6.3	12	17.5	50.2	28.8	7.9	133139	NPQP-D-Q10-S12-FD-P10	10

1) Packaging unit

Datasheet

Blanking plug NPQP-P



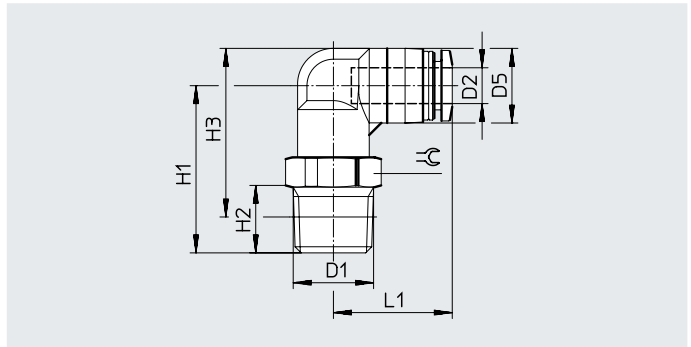
Dimensions and ordering data								
Push-in sleeve ∅ D1	D5 ∅	D6 ∅	L1	L2	Weight/piece [g]	Part no.	Type	PU ¹⁾
4	5	3	27.5	15.0	0.5	133128	NPQP-P-S4-FD-P10	10
6	7	3	32.5	17.0	0.5	133129	NPQP-P-S6-FD-P10	10
8	9	4	36.5	18.1	1.0	133130	NPQP-P-S8-FD-P10	10
10	11	5	42.0	20.2	2.0	133131	NPQP-P-S10-FD-P10	10
12	13	6	44.0	23.4	2.5	133132	NPQP-P-S12-FD-P10	10

1) Packaging unit

Datasheet

Push-in L-fitting NPQP-L

Male thread
with external hex



Dimensions and ordering data

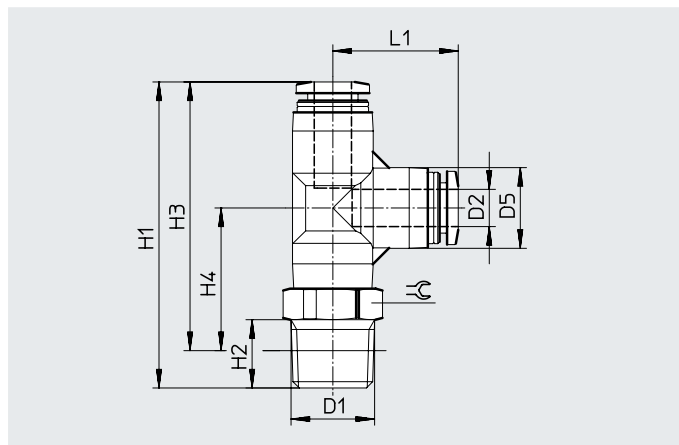
Connection	Nominal width [mm]	Tubing O.D. D2	D5	H1	H2	H3	L1	⌀	Weight/piece [g]	Part no.	Type	PU ¹⁾
R1/8	2.1	4	10.0	23.3	8	24.3	18.1	10	4.0	133051	NPQP-L-R18-Q4-FD-P10	10
	3.3	6	12.5	25.0	8	27.3	19.9	12	5.0	133160	NPQP-L-R18-Q6-FD	1
	4.7	8	14.5	28.0	8	31.3	22.7	14	7.0	133053	NPQP-L-R18-Q6-FD-P10	10
										133161	NPQP-L-R18-Q8-FD	1
R1/4	2.1	4	10.0	26.3	11	25.3	18.1	14	4.5	133052	NPQP-L-R14-Q4-FD-P10	10
										133162	NPQP-L-R14-Q6-FD	1
	3.3	6	12.5	28.0	11	28.2	19.9	14	5.5	133054	NPQP-L-R14-Q6-FD-P10	10
										133163	NPQP-L-R14-Q8-FD	1
										133056	NPQP-L-R14-Q8-FD-P10	10
										133164	NPQP-L-R14-Q10-FD	1
4.7	8	14.5	31.0	11	32.2	22.7	14	7.5	133057	NPQP-L-R14-Q10-FD-P10	10	
									133165	NPQP-L-R38-Q10-FD	1	
									133058	NPQP-L-R38-Q10-FD-P10	10	
R3/8	5.7	10	17.5	37.0	12	39.4	26.4	17	13.0	133165	NPQP-L-R38-Q10-FD	1
	6.9	12	21.0	39.0	12	43.2	29.6	22	18.0	133166	NPQP-L-R38-Q12-FD	1
										133059	NPQP-L-R38-Q12-FD-P10	10
R1/2	6.9	12	21.0	42.0	15	44.3	29.6	22	19.0	133060	NPQP-L-R12-Q12-FD	1

1) Packaging unit

Datasheet

Push-in L-fitting NPQP-LQ

Male thread
with external hex

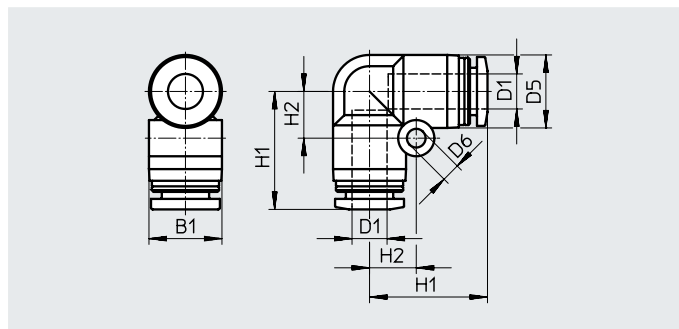


Dimensions and ordering data

Connection D1	Nominal width [mm]	Tubing O.D. D2	D5	H1	H2	H3	H4	L1	≈	Weight/ piece [g]	Part no.	Type	PU ¹⁾
R1/8	2.0	4	10.0	40.2	8	36.2	19.2	17.0	10	6.0	133061	NPQP-LQ-R18-Q4-FD-P10	10
	3.3	6	13.0	46.3	8	42.3	22.0	20.2	12	8.0	133063	NPQP-LQ-R18-Q6-FD-P10	10
	4.8	8	15.0	50.4	8	46.4	24.2	22.2	14	11.0	133167	NPQP-LQ-R18-Q8-FD	1
											133065	NPQP-LQ-R18-Q8-FD-P10	10
R1/4	2.0	4	10.0	43.2	11	37.2	20.2	17.0	14	6.5	133062	NPQP-LQ-R14-Q4-FD-P10	10
	3.3	6	13.0	49.3	11	43.3	23.0	20.2	14	8.5	133064	NPQP-LQ-R14-Q6-FD-P10	10
	4.8	8	15.0	53.4	11	47.4	25.2	22.2	14	12.0	133066	NPQP-LQ-R14-Q8-FD-P10	10
	5.8	10	17.5	61.4	11	55.4	30.0	25.4	17	18.0	133067	NPQP-LQ-R14-Q10-FD-P10	10
R3/8	5.8	10	17.5	62.4	12	56.1	30.7	25.4	17	19.0	133068	NPQP-LQ-R38-Q10-FD-P10	10
	6.9	12	21.0	67.8	12	61.5	32.9	28.4	22	26.0	133069	NPQP-LQ-R38-Q12-FD-P10	10
R1/2	6.9	12	21.0	70.8	15	62.6	34.0	28.4	22	28.0	133070	NPQP-LQ-R12-Q12-FD	1

1) Packaging unit

Push-in L-connector NPQP-L



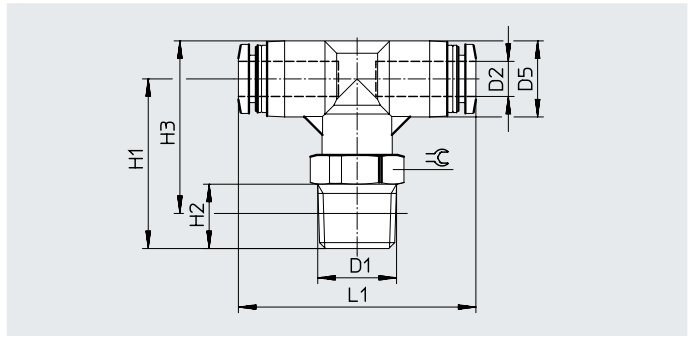
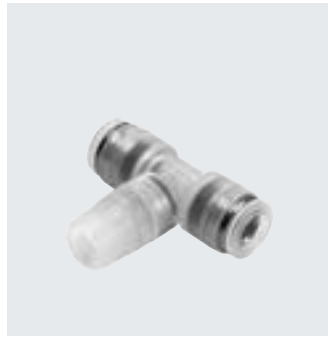
Dimensions and ordering data

Tubing O.D. D1	Nominal width [mm]	Tubing O.D. D1	D5 ∅	D6	B1	H1	H2	Weight/piece [g]	Part no.	Type	PU ¹⁾
4	2.8	4	10.0	3.2	10.0	17.0	6.5	4.5	133105	NPQP-L-Q4-E-FD-P10	10
6	5.0	6	12.5	3.2	12.5	20.2	8.0	6.0	133172	NPQP-L-Q6-E-FD	1
									133106	NPQP-L-Q6-E-FD-P10	10
8	7.2	8	15.0	4.2	15.6	22.4	10.0	9.0	133107	NPQP-L-Q8-E-FD-P10	10
10	8.3	10	17.5	4.2	18.2	26.4	12.0	14.0	133108	NPQP-L-Q10-E-FD-P10	10
12	10.0	12	21.0	4.2	21.7	29.6	14.0	20.0	133109	NPQP-L-Q12-E-FD-P10	10

1) Packaging unit

Datasheet

Push-in T-fitting NPQP-T



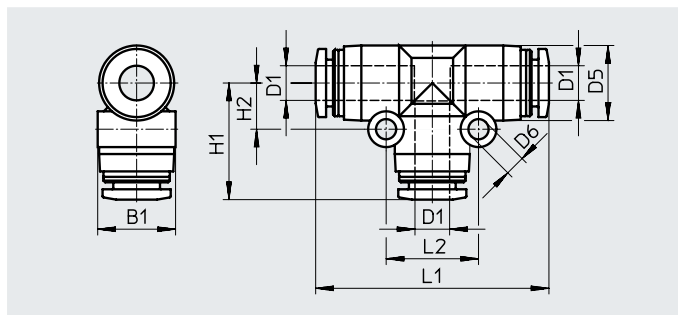
Dimensions and ordering data

Connection	Nominal width [mm]	Tubing O.D. D2	D5	H1	H2	H3	L1	⌀	Weight/piece [g]	Part no.	Type	PU ¹⁾
R1/8	2.0	4	10.0	23.2	8	24.2	34.0	10	6.0	133071	NPQP-T-R18-Q4-FD-P10	10
	3.2	6	13.0	26.0	8	28.5	40.6	12	8.0	133073	NPQP-T-R18-Q6-FD-P10	10
	4.7	8	15.0	26.3	8	29.8	44.8	14	11.0	133075	NPQP-T-R18-Q8-FD-P10	10
R1/4	2.0	4	10.0	26.2	11	25.2	34.0	14	6.5	133072	NPQP-T-R14-Q4-FD-P10	10
	3.2	6	13.0	29.0	11	29.5	40.6	14	8.5	133074	NPQP-T-R14-Q6-FD-P10	10
	4.7	8	15.0	29.3	11	30.8	44.8	14	12.0	133076	NPQP-T-R14-Q8-FD-P10	10
	5.8	10	17.5	36.0	11	38.7	50.8	17	18.0	133077	NPQP-T-R14-Q10-FD-P10	10
R3/8	5.8	10	17.5	37.0	12	39.4	50.8	17	19.0	133078	NPQP-T-R38-Q10-FD-P10	10
	6.9	12	21.0	39.0	12	43.2	57.2	22	26.0	133079	NPQP-T-R38-Q12-FD-P10	10
R1/2	6.9	12	21.0	42.0	15	44.3	57.2	22	28.0	133080	NPQP-T-R12-Q12-FD	1

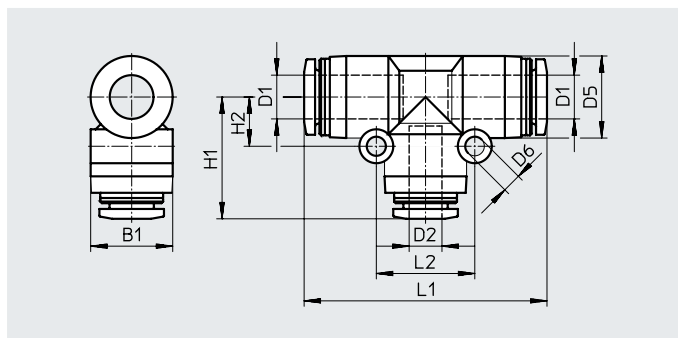
1) Packaging unit

Datasheet

Push-in T-connector NPQP-T



Reducing



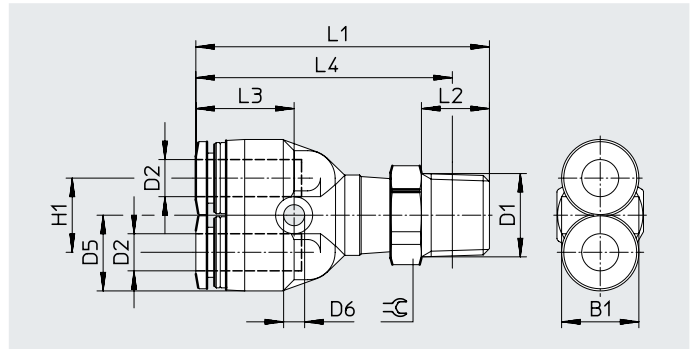
Dimensions and ordering data

Tubing O.D. D1	Nominal size [mm]	Tubing O.D. D2	D5 ∅	D6	B1	H1	H2	L1	L2	Weight/piece [g]	Part no.	Type	PU ¹⁾
4	2.8	–	10.0	3.2	10.4	17.3	6.5	34.6	13.0	6.5	133110	NPQP-T-Q4-E-FD-P10	10
6	4.8	–	13.0	3.2	13.5	20.2	8.0	40.4	16.0	9.0	133173	NPQP-T-Q6-E-FD	1
											133111	NPQP-T-Q6-E-FD-P10	10
8	6.2	–	15.0	3.2	15.6	22.2	9.0	44.4	18.0	13.0	133174	NPQP-T-Q8-E-FD	1
											133112	NPQP-T-Q8-E-FD-P10	10
10	8.1	–	17.5	4.2	18.2	25.4	12.0	50.8	24.0	21.0	133175	NPQP-T-Q10-E-FD	1
											133113	NPQP-T-Q10-E-FD-P10	10
12	10.0	–	21.0	4.2	21.7	28.4	14.0	57.2	28.0	30.0	133176	NPQP-T-Q12-E-FD	1
											133114	NPQP-T-Q12-E-FD-P10	10
Reducing													
6	2.3	4	13.0	3.2	13.5	19.6	8.0	40.4	16.0	9.0	133177	NPQP-T-Q6-Q4-FD	1
											133115	NPQP-T-Q6-Q4-FD-P10	10
8	3.6	6	15.0	3.2	15.6	22.4	9.0	44.4	18.0	12.0	133116	NPQP-T-Q8-Q6-FD-P10	10
10	5.0	8	17.5	4.2	18.2	24.9	12.0	50.8	24.0	19.5	133117	NPQP-T-Q10-Q8-FD-P10	10
12	6.4	10	21.0	4.2	21.7	28.2	14.0	57.2	28.0	28.0	133118	NPQP-T-Q12-Q10-FD-P10	10

1) Packaging unit

Datasheet

Push-in Y-fitting NPQP-Y



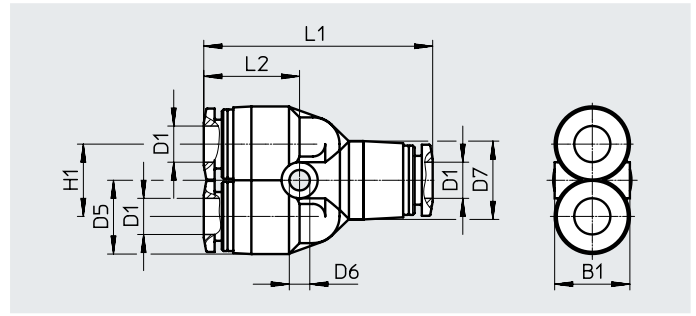
Dimensions and ordering data

Connection	Nominal width [mm]	Tubing O.D.	D5	D6	B1	H1	L1	L2	L3	L4	⌀	Weight/ piece [g]	Part no.	Type	PJ ¹⁾
D1	D2	D2													
R1/8	2.0	4	10.0	3.2	10.4	11	40.7	8	14.2	36.7	10	6.5	133081	NPQP-Y-R18-Q4-FD-P10	10
	2.8	6	12.5	3.4	13.5	12	44.5	8	15.9	40.5	12	8.0	133083	NPQP-Y-R18-Q6-FD-P10	10
	4.5	8	14.5	3.4	14.5	14	48.7	8	17.2	44.7	14	12.0	133085	NPQP-Y-R18-Q8-FD-P10	10
R1/4	2.0	4	10.0	3.2	10.4	11	43.7	11	14.2	37.7	14	7.0	133082	NPQP-Y-R14-Q4-FD-P10	10
	2.8	6	12.5	3.4	13.5	12	47.5	11	15.9	41.5	14	8.5	133084	NPQP-Y-R14-Q6-FD-P10	10
	4.5	8	14.5	3.4	14.5	14	51.7	11	17.2	45.7	14	12.0	133086	NPQP-Y-R14-Q8-FD-P10	10
	5.3	10	18.0	4.5	18.0	18	58.5	11	19.7	52.5	17	20.0	133087	NPQP-Y-R14-Q10-FD-P10	10
R3/8	5.3	10	18.0	4.5	18.0	18	59.5	12	19.7	53.2	17	21.0	133088	NPQP-Y-R38-Q10-FD-P10	10
	6.2	12	21.0	4.2	21.0	20	64.7	12	22.4	58.4	22	28.0	133089	NPQP-Y-R38-Q12-FD-P10	10
R1/2	6.2	12	21.0	4.2	21.0	20	67.7	15	22.4	59.5	22	30.0	133090	NPQP-Y-R12-Q12-FD	1

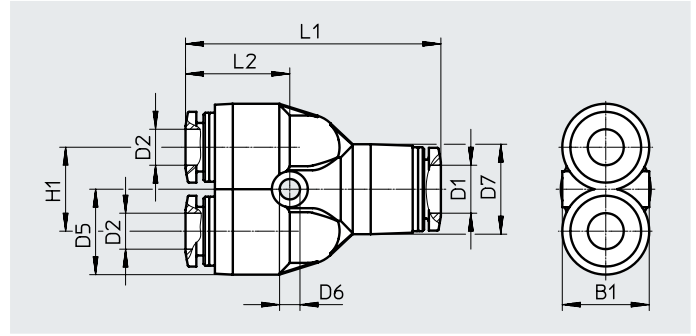
1) Packaging unit

Datasheet

Push-in Y-connector NPQP-Y



Reducing



Dimensions and ordering data

Tubing O.D. D1	Nominal size [mm]	Tubing O.D. D2	D5 ∅	D6	D7	B1	H1	L1	L2	Weight/piece [g]	Part no.	Type	PJ ¹⁾
4	2.6	–	10.0	3.2	10.0	10.4	11.0	33.0	14.2	6.5	133119	NPQP-Y-Q4-E-FD-P10	10
6	4.3	–	12.5	3.4	13.0	13.5	12.0	38.0	15.9	9.0	133178	NPQP-Y-Q6-E-FD	1
											133120	NPQP-Y-Q6-E-FD-P10	10
8	5.7	–	14.5	3.4	15.0	14.5	14.0	42.4	17.2	13.0	133179	NPQP-Y-Q8-E-FD	1
											133121	NPQP-Y-Q8-E-FD-P10	10
10	6.7	–	17.5	4.2	17.5	18.2	18.0	48.8	19.7	22.0	133122	NPQP-Y-Q10-E-FD-P10	10
12	8.0	–	21.0	4.2	21.0	21.7	20.0	55.2	22.4	31.0	133123	NPQP-Y-Q12-E-FD-P10	10
Reducing													
6	3.7	4	12.5	3.4	13.0	13.5	12.0	37.4	15.3	8.5	133124	NPQP-Y-Q6-Q4-FD-P10	10
8	5.0	6	12.5	3.4	14.5	15.1	14.0	42.6	17.4	11.0	133125	NPQP-Y-Q8-Q6-FD-P10	10
10	6.5	8	14.5	4.5	17.5	18.2	18.0	48.3	19.2	16.0	133126	NPQP-Y-Q10-Q8-FD-P10	10
12	7.8	10	17.5	4.5	21.0	21.7	20.0	55.0	22.2	25.0	133127	NPQP-Y-Q12-Q10-FD-P10	10

1) Packaging unit