

Click fittings NPKA

FESTO



Key features

Application

Choosing the right fitting is effortless. 1000 types of standard and function fittings, Festo offers a secure solution for every connection.

With a system that includes well over

Summary of tubing/fitting combinations

Applications	Fitting	Tubing	Description
Standard	QS	PEN	Suitable for a wide range of tasks and attractively priced. Flexible thanks to highly resistant materials, easy to install thanks to optimised bending radii. High level of abrasion resistance in dynamic applications.
	QS	PUN	Maximum flexibility in standard applications thanks to an extremely wide range of options for combining the different types.
	QS	PAN	Meets all requirements, even for standard applications with increased pressure and temperature ranges.
High pressures	NPQM	PAN-MF	Meets DIN standard 73378: ideal for use in mobile pneumatics. Suitable for increased temperature ranges combined with high pressure ranges.
	NPQH	PAN-R	Powerful in pressure ranges up to 20 bar, for example in applications with the pressure booster DPA.
Resistant to chemicals, food-safe and hydrolysis-resistant	NPQP	PLN	Resistant to cleaning agents, FDA-compliant and economical. Can be used instead of the combination with stainless steel fittings.
	NPKA	PUN-H	Hydrolysis-resistant and suitable for water applications. Combination suitable for use in cleanrooms, FDA-compliant and corrosion-resistant as made from 100% polymer. Very easy to install with the "one click principle".
	NPQH	PFAN/PTFEN	For high temperatures up to 150 °C. Food-safe, FDA-compliant and resistant to cleaning agents.
	NPCK	PFAN/PTFEN	Easy to clean thanks to the union nut's edge-free design. Maximum corrosion resistance (CRC 4) and FDA-compliant. Suitable for a wide range of media.
	CRQS	PFAN/PTFEN	Maximum corrosion resistance (CRC 4) and maximum resistance to aggressive acids and alkalis.
Resistant to chemicals and hydrolysis	NPQR	PFAN/PTFEN	Optimised design, fewer edges where dirt can collect – all at an attractive price. For high temperatures up to 150 °C. Pressure range up to 16 bar. Maximum corrosion resistance (CRC 4).
Antistatic	NPQM	PUN-CM	Antistatic tubing plus solid metal fitting: maximum protection for electric and electronic components.
Flame-retardant	NPQM	PUN-V0	Very safe in areas where there is a risk of fire thanks to flame-retardant properties. The tubing has been tested to DIN 5510-2.
Resistant to welding spatter	NPQH	PUN-V0-C	Ideal for applications involving welding spatter. Reliable thanks to a tubing wall thickness of 2 mm for all diameters.
	QS-V0	PAN-V0	Safe even in the immediate vicinity of welding spatter thanks to double-walled tubing with special fitting.

Key features

Push-in fittings – Product range

QSM, mini series

Datasheets → Internet: qsm



Miniature push-in fittings for maximum component density in confined spaces. For pneumatic applications with a temperature range up to 80 °C and a pressure range up to 14 bar. Tubing O.D. of 2, 3, 4 and 6 mm with connecting threads M3, M5, M6, M7, R1/8 and G1/8.

QS, standard series

Datasheets → Internet: qs



Wide selection of push-in fittings for pneumatic applications with a temperature range up to 80°C and a pressure range up to 14 bar. Tubing O.D. of 4, 6, 8, 10, 12, 16 and 22 mm with connecting thread R1/8 ... R1/2 and G1/8 ... G3/4.

CRQS, stainless steel

Datasheets → Internet: crqs



Stainless steel push-in fitting. Maximum corrosion resistance CRC 4 and chemical resistance with approval for use in the food and packaging industry. For pneumatic applications with a temperature range up to 120 °C and a pressure range up to 10 bar. Tubing O.D. of 4, 6, 8, 10, 12 and 16 mm with connecting thread M5 and R1/8 ... R1/2.

QS-V0, resistant to welding spatter

Datasheets → Internet: qs-v0



Flame-retardant push-in fitting for use in all areas where there is a risk of fire, for example welding systems in the automotive industry, and in the construction industry. For pneumatic applications with a temperature range up to 60 °C and a pressure range up to 10 bar. Tubing O.D. of 4, 6, 8, 10 and 12 mm with connecting thread R1/8 ... R1/2 and G1/8 ... G1/2.

NPQH

Datasheets → Internet: npqh



All metal push-in fitting made of chemically nickel-plated brass. High corrosion resistance CRC 3 and chemical resistance. For pneumatic applications with a temperature range up to 150 °C and a pressure range up to 20 bar. Tubing O.D. of 4, 6, 8, 10, 12 and 14 mm with connecting thread M5, M7 and G1/8 ... G1/2.

NPQM

Datasheets → Internet: npqm



Attractively priced metal push-in fitting for pneumatic applications with a temperature range up to 70°C and a pressure range up to 16 bar. Tubing O.D. of 3, 4, 6, 8, 10, 12 and 14 mm with connecting thread M5, M7 and G1/8 ... G1/2.

NPQP

Datasheets → Internet: npqp



Polypropylene fitting for use in applications with extreme media influences. For pneumatic applications with a temperature range up to 60 °C and a pressure range up to 10 bar. Tubing O.D. of 4, 6, 8, 10 and 12 mm with connecting thread R1/8 ... R1/2.

NPQR, stainless steel

Datasheets → Internet: npqr



Stainless steel push-in fitting. Maximum corrosion resistance CRC 4 and chemical resistance. For pneumatic applications with a temperature range up to 150 °C and a pressure range up to 16 bar. Tubing O.D. of 4, 6, 8, 10 and 12 mm with connecting thread M5, M7 and G1/8 ... G1/2.

Key features

Functional push-in fittings – Product range

QSK,
push-in fitting, self-sealing

Datasheets → Internet: qsk



Push-in fitting that blocks the air flow after the tubing is disconnected. For pneumatic applications with a temperature range up to 60 °C and a pressure range up to 14 bar.
Tubing O.D. of 4, 6, 8, 10 and 12 mm with connecting thread M5, R1/8 ... R1/2 and G1/8 ... G1/2.

QSR,
push-in fitting, rotatable

Datasheets → Internet: qsr



Push-in fitting with swivel joint, rotatable 360°. The ball bearing enables rotating movements in the application up to max. 500 rpm. For pneumatic applications with a temperature range up to 60 °C and a pressure range up to 14 bar.
Tubing O.D. of 4, 6, 8, 10 and 12 mm with connecting thread M5, R1/8 ... R1/2 and G1/8 ... G1/2.

Quick connectors – Product range

NPCK

Datasheets → Internet: npck



Stainless steel fitting for use in areas subject to intensive cleaning. Maximum corrosion resistance CRC 4. For pneumatic applications with a temperature range up to 120 °C and a pressure range up to 12 bar.
Tubing O.D. of 6 mm with connecting thread G1/8.

Click fittings – Product range

NPKA

Datasheets → Internet: npka



Polymer fitting for easy one-handed installation. Hydrolysis-resistant, FDA-compliant and easy to clean. For pneumatic applications with a temperature range up to 60 °C and a pressure range up to 10 bar.
Tubing O.D. of 6 mm with connecting thread G1/8.

Key features

Key features

The click fitting NPKA is suitable for use in the food industry.

The NPKA is made entirely of plastic and is ideally suited for use in areas subject to intensive cleaning.

Quick and easy tube installation using one hand

Reliable assembly: click sound indicates that the open or closed position has been reached

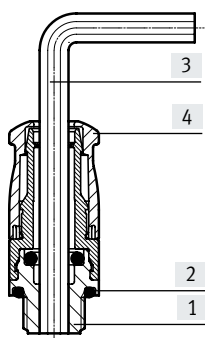
Low leakage, no scratching of the tube by retaining claws.

Easy to clean, sealed shape when tube fitted.

Suitable for tubes with corresponding slot.

Fitting and removal

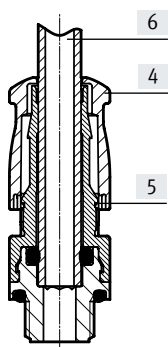
Fitting



- [1] Screwed trunnion
- [2] Sealing ring
- [3] Allen key
- [4] Sleeve

- Screw the screwed trunnion and the sealing ring on to the counterpart and tighten in accordance with the nominal tightening torque.

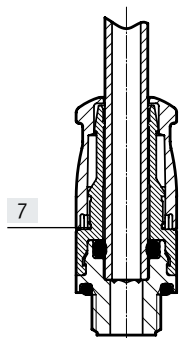
- Special feature of the straight design NPKA-D: insert the long side of an Allen key completely into the click fitting through the sleeve. Use the entire contact surface of the internal hexagon.



- [4] Sleeve
- [5] Stop contour 1
- [6] Plastic tubing

- Pull the sleeve as far as the stop contour 1 of the clamping collet, until you hear and feel the sleeve click in.

- Insert the plastic tubing through the open sleeve, clamping collet and tubing seal as far as the tube bearing shoulder.



- [7] Stop contour 2

- Push the sleeve as far as the stop contour 2 of the clamping collet, until you hear and feel the sleeve click in.

- The closed sleeve pushes the clamping segment of the clamping collet against the plastic tubing, holding it in place.

Removal

It is removed in the reverse sequence to assembly.

Datasheet

General technical data

Size	Standard
Design	Push-pull principle
Mounting position	Any
Type of seal on the screwed trunnion	Sealing ring
Max. tightening torque [Nm]	2
Nominal tightening torque [Nm]	1.25
Tolerance for nominal tightening torque [%]	±20
Tubing insertion depth [mm]	25.8
Suitable plastic tubing	PAN, PAN-R, PAN-MF, PAN-VO, PFAN, PEN, PLN, PUN, PUN-DUO, PUN-CM, PUN-H, PUN-H-DUO, PUN-VO

Operating and environmental conditions

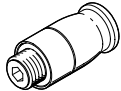

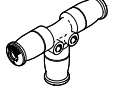
Operating pressure [bar]	-0.95 ... +10
Operating medium	Compressed air to ISO 8573-1:2010 [7:-:-]
	Water as per manufacturer's declaration ¹⁾
Note on the operating/pilot medium	Lubricated operation possible
Ambient temperature [°C]	-10 ... +60
Food-safe ¹⁾	See supplementary material information

1) Additional information: www.festo.com/sp → Certificates.

Materials

Sleeve	POM
Housing	PA66-GF30
Threaded seal	PA66-GF30 / TPE-U
Tubing seal	NBR
Note on materials	RoHS-compliant

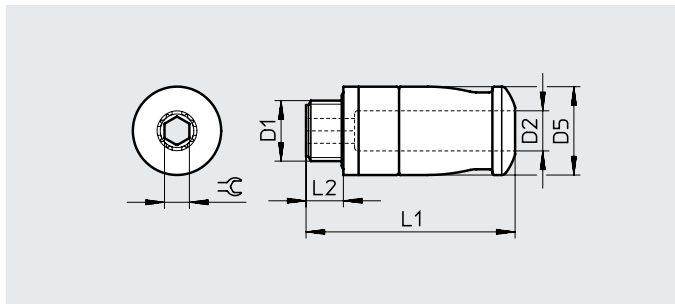
Product range overview

Design	Embodiment	Type	Pneumatic connection 1 G thread	Tubing O.D.	Pneumatic connection 2 Tubing O.D.	→ Page/ Internet
Straight shape	Click fitting – Male thread with internal hexagon					
		NPKA-D	G1/8	–	6	8
L-shape	Elbow click fitting – Male thread with external hexagon, rotatable					
		NPKA-L	G1/8	–	6	8
T-shape	Click T-connector					
		NPKA-T	–	6	6	9

Datasheet

Click fitting NPKA-D

Male thread with internal hex



Dimensions and ordering data

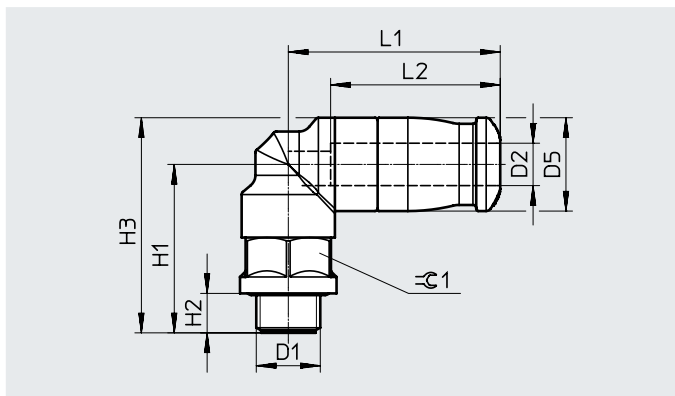
Download CAD data → www.festo.com

Pneumatic connection		Nominal size [mm]	D5 \varnothing	L1	L2	$\approx \text{G}$	Weight/ piece [g]	Part no.	Type	PU ¹⁾
Male thread	For tubing O.D.									
D1	D2 [mm]									
G1/8	6	4	14.2	33.6	6	4	4.2	1243489	NPKA-D-G18-Q6-P10	10

1) Packaging unit

Elbow click fitting NPKA-L

Male thread with external hex, rotatable



Dimensions and ordering data

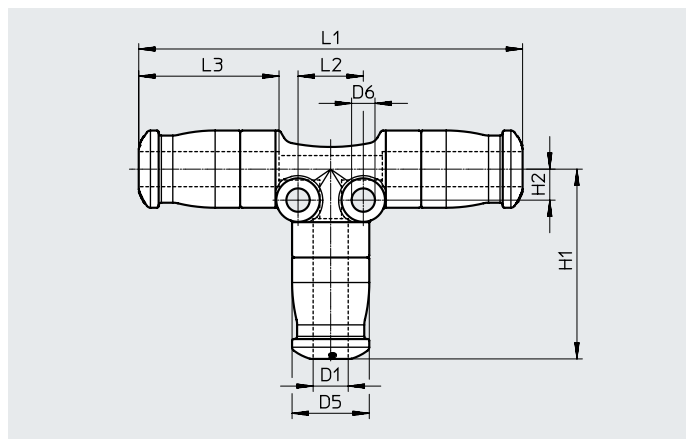
Download CAD data → www.festo.com

Pneumatic connection		Nominal size [mm]	D5 \varnothing	H1	H2	H3	L1	L2	$\approx \text{G}$	Weight/ piece [g]	Part no.	Type	PU ¹⁾
Male thread	For tubing O.D.												
D1	D2 [mm]												
G1/8	6	4	14.2	25.6	6	32.7	32.3	25.8	13	7.5	1655429	NPKA-L-G18-Q6-P10	10

1) Packaging unit

Datasheet

Click T-connector NPKA-T



Dimensions and ordering data

Download CAD data → www.festo.com

Pneumatic connection For tubing O.D. D1 [mm]	Nominal size [mm]	D5 ∅	D6 ∅	H1	H2	L1	L2	L3	Weight/ piece [g]	Part no.	Type	PU ¹⁾
6	4	14.2	4.3	35	5.7	70.6	12	25.8	12.5	1590710	NPKA-T-Q6-E-P10	10

1) Packaging unit