

Fitting NLFA

FESTO



Key features

At a glance

- Fittings for liquid media, especially suitable for laboratory applications
- Five different fittings for a range of tubing and dosing nozzles
- Intended use:

The fittings NLFA are intended for installation in laboratory devices. The fittings are used for mounting tubes or needles within the scope of their technical data. The chemical resistance of the fittings that come into contact with the media must be checked for each application. The application must be validated.

- Misuse:

Use with incompatible media (compatibility must be checked by the customer in advance). Please contact Festo for advice if you are unsure about the product's suitability for the planned application.

Type codes

001	Series	
NLFA	Fitting	
002	Design	
D	Straight	
003	Fluid connection 1	
U14	1/4-28 UNF	
004	Fluid connection 2	
B1.2	Barbed connector, 1.2 mm	
B2.1	Barbed connector, 2.1 mm	
K1.6	Clamped connection 1.6 mm	
K3	Clamped connection 3 mm	
K3.2	Clamped connection 3.2 mm	
005	Material, in contact with media	
PP	Polypropylene	
006	Packaging unit	
P10	10	

Data sheet

General technical data – Barbed connector	
Type ID code	NLFA
Design	Tubing mount via barbed connector
Fluid connection	UNF1/4-28
Fluid connection 2	For tubing I.D. 1.2 mm For tubing I.D. 2.1 mm
Design	Straight design
Sealing principle	Hard
Mounting position	Any
Product weight	0.5 ... 1.06 g
Pack size	10

General technical data – Clamped connection	
Type ID code	NLFA
Design	Tubing mount via clamped connection
Fluid connection	UNF1/4-28
Fluid connection 2	For tubing O.D. 1.6 mm (1/16") For tubing O.D. 3 mm For tubing O.D. 3.2 mm (1/8")
Design	Straight design
Sealing principle	Hard
Mounting position	Any
Product weight	0.44 ... 0.53 g
Pack size	10

Operating and environmental conditions – Barbed connector	
Type ID code	NLFA
Medium	Liquid media Gaseous media
Note on the medium	Note resistance of materials in contact with the media
Operating pressure for full temperature range	-0.75 ... 4 bar
Temperature of medium	0 ... 35°C
Ambient temperature	0 ... 35°C
Storage temperature ¹⁾	-20 ... 70°C
Food-safe	See supplementary material information

Operating and environmental conditions – Clamped connection	
Type ID code	NLFA
Medium	Liquid media Gaseous media
Note on the medium	Note resistance of materials in contact with the media
Operating pressure for full temperature range	-0.75 ... 6 bar
Temperature of medium	0 ... 50°C
Ambient temperature	0 ... 50°C
Storage temperature ¹⁾	-20 ... 70°C
Food-safe	See supplementary material information

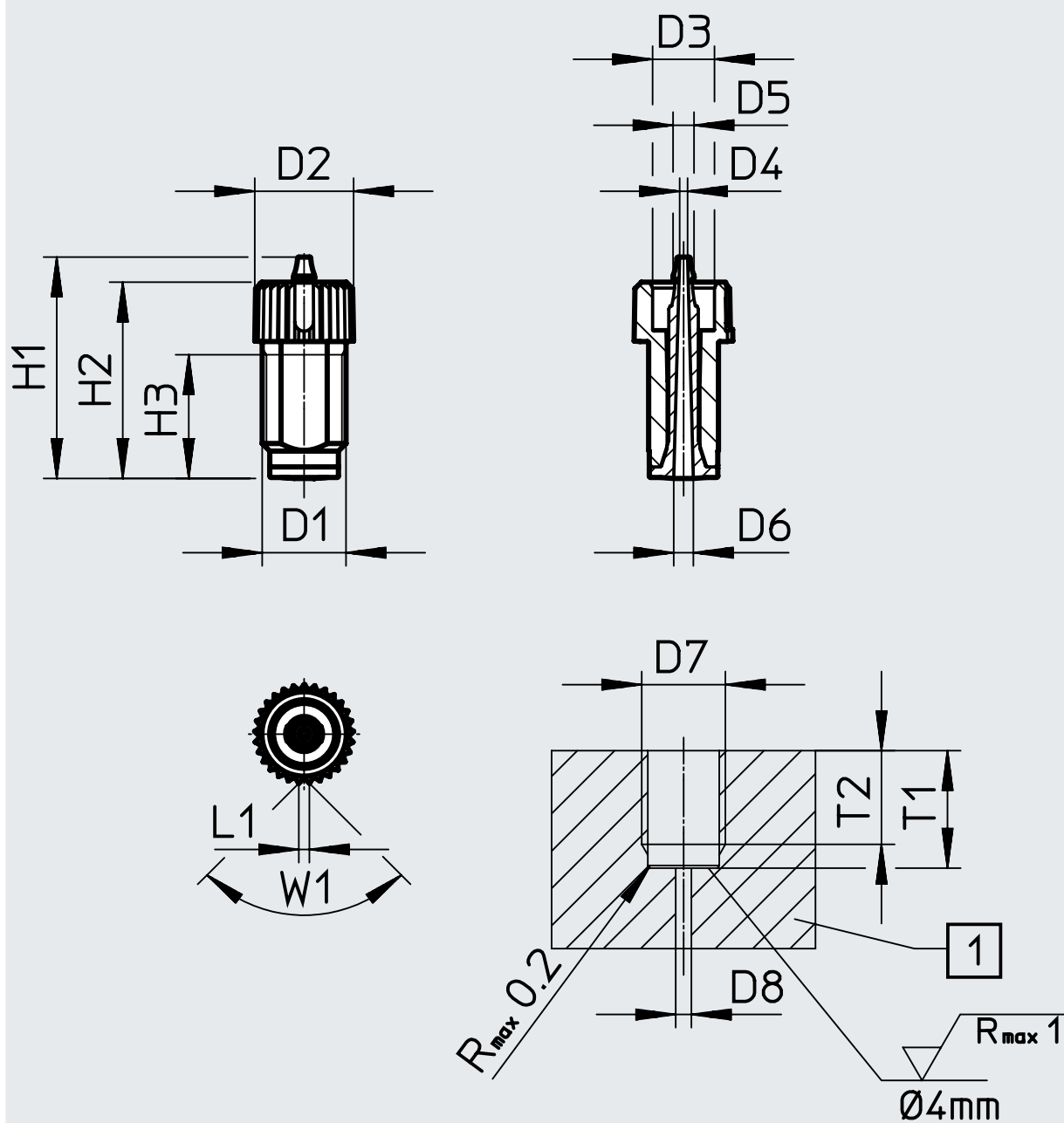
¹⁾ Only valid for uninstalled state

Materials	
Type ID code	NLFA
Screwed trunnion material	Reinforced PA
Note on materials	RoHS-compliant

Dimensions

Dimensions – With barbed connector

Download CAD data → www.festo.com



[1] Mounting surface

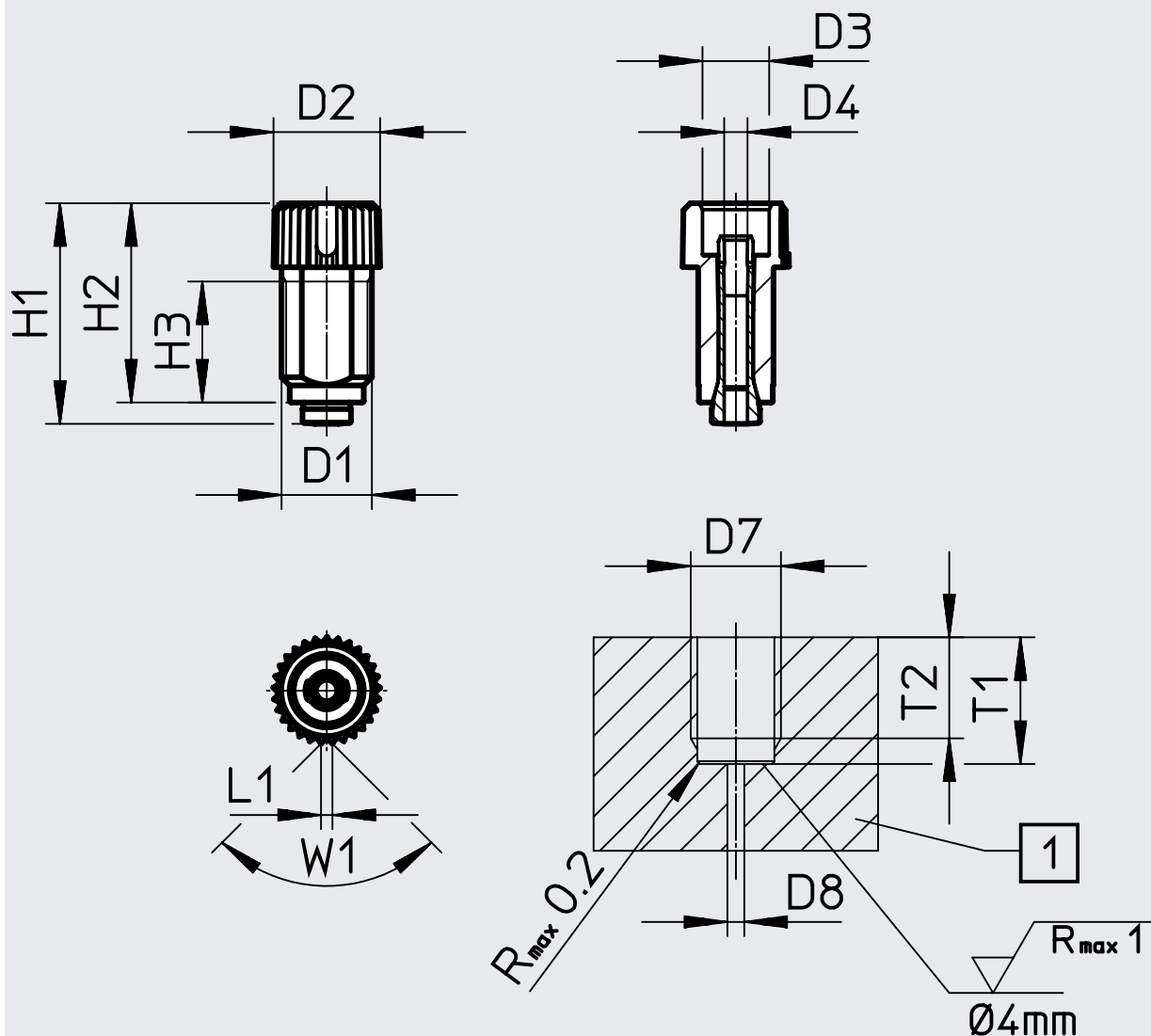
	D1	D2 ∅	D3 ∅	D4 ∅	D5 ∅	D6 ∅	D7	D8 ∅ max.
NLFA-D-U14-B1.2-PP-P10	UNF1/4-28	7,5	4,7	0,6	1,6	1,5	UNF1/4-28	1,2
NLFA-D-U14-B2.1-PP-P10	UNF1/4-28	7,5	4,7	1,3	2,6	2,2	UNF1/4-28	2,4

	H1	H2	H3	L1	T1	T2	W1
NLFA-D-U14-B1.2-PP-P10	16,8	14,9	9,4	0,8	8,9	7,1	90°
NLFA-D-U14-B2.1-PP-P10	16,8	14,9	9,4	0,8	8,9	7,1	90°

Dimensions

Dimensions – With clamped connection

Download CAD data → www.festo.com



[1] Mounting surface

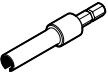


	D1	D2 ∅	D3 ∅	D4 ∅	D7	D8 ∅ max.	H1
NLFA-D-U14-K1.6-PP-P10	UNF1/4-28	7,5	4,7	1,7	UNF1/4-28	1,2	15,5
NLFA-D-U14-K3-PP-P10	UNF1/4-28	7,5	4,7	3,1	UNF1/4-28	2,4	15,5
NLFA-D-U14-K3.2-PP-P10	UNF1/4-28	7,5	4,7	3,3	UNF1/4-28	2,4	15,5

	H2	H3	L1	T1	T2	W1
NLFA-D-U14-K1.6-PP-P10	14	8,5	0,8	8,9	7,1	90°
NLFA-D-U14-K3-PP-P10	14	8,5	0,8	8,9	7,1	90°
NLFA-D-U14-K3.2-PP-P10	14	8,5	0,8	8,9	7,1	90°

Ordering data

Ordering data	Fluid connection 2	Part no.	Type
Design Straight design	For tubing O.D. 1.6 mm (1/16")	8104285	NLFA-D-U14-K1.6-PP-P10
	For tubing O.D. 3 mm	8104286	NLFA-D-U14-K3-PP-P10
	For tubing O.D. 3.2 mm (1/8")	8104287	NLFA-D-U14-K3.2-PP-P10
	For tubing I.D. 1.2 mm	8104288	NLFA-D-U14-B1.2-PP-P10
	For tubing I.D. 2.1 mm	8104289	NLFA-D-U14-B2.1-PP-P10

Accessories

Mounting accessories				
	Fluid connection 2	Description	Part no.	Type
Assembly tool				
	<ul style="list-style-type: none"> For tubing O.D. 1.6 mm (1/16") For tubing O.D. 3 mm For tubing O.D. 3.2 mm (1/8") For tubing I.D. 1.2 mm For tubing I.D. 2.1 mm 	Screw-in adapter on external hexagon, spanner size 6 mm	8146520	NPAT-FA-A-R75
Connection accessories				
	Fluid connection 2	Description	Part no.	Type
Dosing elements				
	For tubing O.D. 1.6 mm (1/16")	Nozzle O.D. 1.6 mm; nominal width 0.3 mm; length 30 mm; with chamfer; pack of 10	8104295	VAVN-N-A1.6-03-30-F-V1-P10
		Nozzle O.D. 1.6 mm; nominal width 0.3 mm; length 30 mm; with taper; pack of 10	8104294	VAVN-N-A1.6-03-30-V-V1-P10
		Nozzle O.D. 1.6 mm; nominal width 0.3 mm; length 60 mm; with chamfer; with taper; pack of 10	8104298	VAVN-N-A1.6-03-60-F-V1-P10
		Nozzle O.D. 1.6 mm; nominal width 0.3 mm; length 60 mm; with taper; pack of 10	8104297	VAVN-N-A1.6-03-60-V-V1-P10
		Nozzle O.D. 1.6 mm; nominal width 0.6 mm; length 30 mm; pack of 10	8104290	VAVN-N-A1.6-06-30-V1-P10
		Nozzle O.D. 1.6 mm; nominal width 0.6 mm; length 30 mm; with taper; pack of 10	8104296	VAVN-N-A1.6-06-30-V1-P10
		Nozzle O.D. 1.6 mm; nominal width 0.6 mm; length 60 mm; pack of 10	8104292	VAVN-N-A1.6-06-60-V1-P10
		Nozzle O.D. 1.6 mm; nominal width 0.6 mm; length 60 mm; with taper; pack of 10	8104299	VAVN-N-A1.6-06-60-V1-P10
		Nozzle O.D. 1.6 mm; nominal width 1.2 mm; length 30 mm; pack of 10	8104291	VAVN-N-A1.6-12-30-V1-P10
		Nozzle O.D. 1.6 mm; nominal width 1.2 mm; length 60 mm; pack of 10	8104293	VAVN-N-A1.6-12-60-V1-P10
Tubing				
	Fluid connection 2	Description	Part no.	Type
Plastic tubing				
	For tubing I.D. 1.2 mm	Polyurethane; hydrolysis resistant; tubing O.D. 2 mm; natural; 50 m	133038	PUN-H-2X0.4-NT
	<ul style="list-style-type: none"> For tubing O.D. 3 mm For tubing I.D. 2.1 mm 	Polyurethane; hydrolysis resistant; tubing O.D. 3 mm; natural; 50 m	197375	PUN-H-3X0.5-NT
	For tubing O.D. 3 mm	PFA; tubing O.D. 3 mm; natural; 50 m	8061167	PFAN-3X0.5-NT