

Sensor/actuator distributors

FESTO



Key features

Scope of features

Functional description

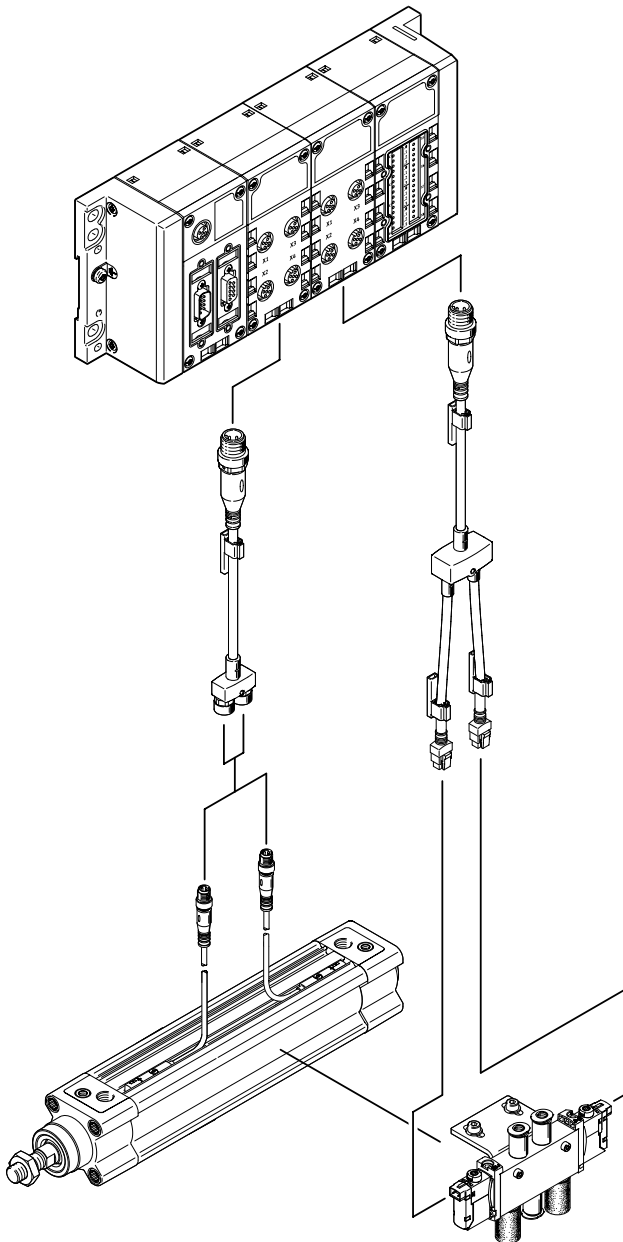
The distributors NEDY can perform two different tasks:

- Collecting signals between field devices (sensors) and controller inputs with double assignment
- Distributing signals between controller outputs with double assignment and field devices (actuators, e.g. valves)

Depending on the chosen task, the distributors will differ in terms of their:

- Design of the electrical connections
- Wiring allocation
- LED indicators and holding current reduction

Variants



Controller side, connection no. 1

- M8, M12 connection technology
- Open cable end

Transmission path

- Maximum length: 30 m (entire string length)
- Many types available without delay with standard lengths 2.5 m and 5 m
- Mounting for T-slot
- Optimised cable material for installation in contact with pneumatic tubing; free from phosphoric acid ester

Cables suitable for use with energy chains and robot applications, for:

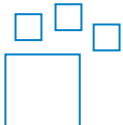
- Harsh environments
- High mechanical loads
- Energy chains (5 million cycles for a radius greater than 28 mm)
- Torsion loads

Field device side, connection no. 2 and no. 4

- M8, M12 connection technology
- Standardised plugs for valves and solenoid coils type A, B, C
- Festo-specific plugs for valves and solenoid coils ZB and ZC
- Open cable end

Key features

Ordering data – Product options

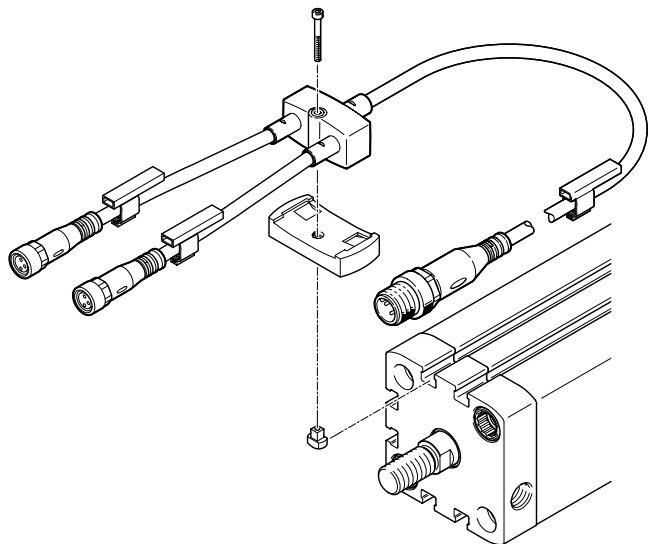


Configurable product
This product and all its product options can be ordered using the configurator.

The configurator can be found under
Products on the DVD or at
→ www.festo.com/catalogue/...

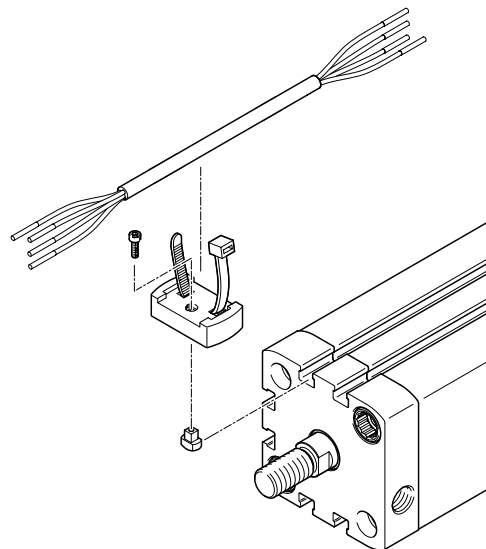
| Part no. | Type |
|----------|-------|
| 8032867 | NEDY- |

Mounting



The distributors NEDY have a through-hole suitable for an M2 screw on the distributor housing.
A mounting kit in two sizes is available for mounting in T-slots.

The distributors NEDY can be easily and safely mounted using the mounting kit or for pneumatic tubing and electrical connecting cables using a cable tie.



The mounting kit guarantees secure mounting in T-slots from Festo. The geometry of the retaining bracket and of the slot nut are precisely adapted to these T-slots.

The distributor can be mounted parallel or at right angles to the T-slot and the slot nut can be inserted into the T-slot from above or from the side.

Key features

Connection technology version

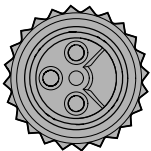
The type of plug for the connecting cable can be selected (e.g. angled or straight).

The rotatable version is a special type: with an angled socket, the cable outlet can be rotated 360° in increments of 15°.

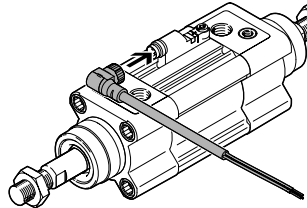
Benefit:
The cable outlet can be rotated to the optimum position in tight installation conditions.

The rotatable plug is not designed to be constantly adjusted.

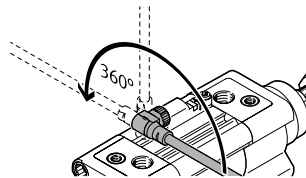
Mounting



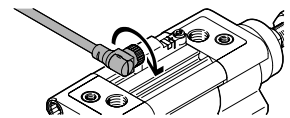
Observe the orientation of the pins.



Connect the plug to the socket.



Adjust the cable outlet



Tighten the union nut

Indicators and identification

LED indicator

An LED indicator or circuitry for holding current reduction can be chosen on the field device side of the distributor, depending on the selected connection technology.

- Signal status indication (for valves only)
- Signal status indication with holding current reduction (for valves without holding current reduction only)
- Ready status indication and switching status indication (for sensors only)

Inscription label holder

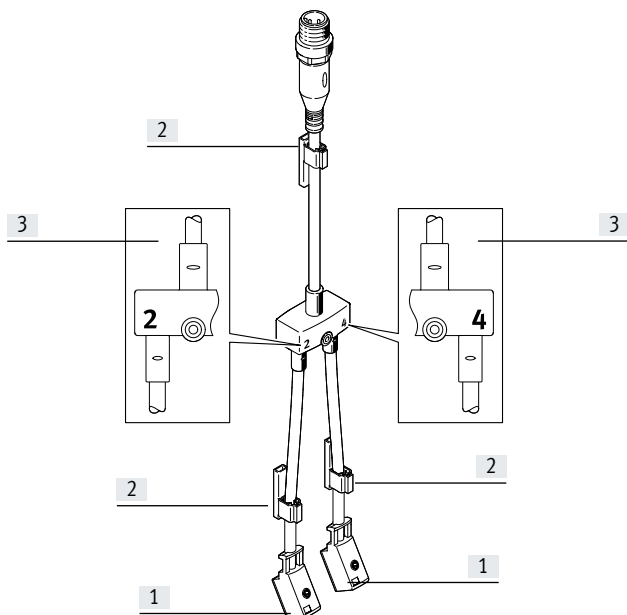
Inscription label holders can be fitted to the individual cables of the distributor for identification. The inscription label holders can be ordered in combination with the cables for the distributor or separately as accessories.

Housing identification

The field device-side connections on the distributor housing are identified with the numbers 2 and 4. This makes them easy to match to the circuit diagrams:


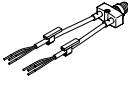
- Controller side – connection no. 1
- Field device side – connection no. 2 and no. 4

LED indicator and identification elements

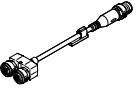
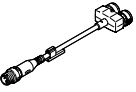


- [1] LED indicator, field device side
- [2] Inscription label holder
- [3] Housing identification

Product range overview – Field device side

| Y-distributor without cable | Field device side | | | | Controller side | | | | → Page |
|---|-------------------------|-------|--|--|-----------------|-----------|----------------|--------|--------|
| | | | | | Plug M12x1 | Plug M8x1 | Open cable end | | |
| | | | | | 4-pin | 4-pin | 3-wire | 4-wire | |
|  | Socket M8x1 | 3-pin | Straight | – | ■ | ■ | – | – | 8 |
| | Socket M12x1 | 5-pin | Straight | – | ■ | – | – | – | 25 |
| Y-distributor with cable on field device side | Field device side | | | | Controller side | | | | → Page |
| | | | | | Plug M12x1 | Plug M8x1 | Open cable end | | |
| | | | | | 4-pin | 4-pin | 3-wire | 4-wire | |
|  | Socket M8x1 | 3-pin | Straight | – | ■ | ■ | – | – | 8 |
| | | | Angled | – | ■ | ■ | – | – | 8 |
| | | | | Switching status indication and ready status indication (for PNP sensors only) | – | ■ | ■ | – | – |
| | | | Rotatable | – | ■ | ■ | – | – | 8 |
| | 4-pin | 4-pin | Straight | – | ■ | ■ | – | – | 17 |
| | | | | Signal status indication (for valves only) | – | ■ | ■ | – | – |
| | | | Angled | – | ■ | ■ | – | – | 17 |
| | | | | Signal status indication (for valves only) | – | ■ | ■ | – | – |
| | Socket M12x1 | 5-pin | Straight | – | ■ | ■ | – | – | 25 |
| | | | Angled | – | ■ | ■ | – | – | 25 |
| | | | | Switching status indication and ready status indication (for PNP sensors only) | – | ■ | ■ | – | – |
| | Socket, type A | 4-pin | To EN 175301-803 | | ■ | ■ | – | – | 34 |
| | Socket, type B | 3-pin | To EN 175301-803 | | ■ | ■ | – | – | 41 |
| | | | To industry standard, 11 mm | | ■ | ■ | – | – | 47 |
| | Socket, type C | 4-pin | To EN 175301-803 | | ■ | ■ | – | – | 54 |
| | | | To industry standard, 9.4 mm | | ■ | ■ | – | – | 61 |
| | Socket, plug pattern H | 3-pin | – | | ■ | ■ | – | – | 67 |
| | Socket, plug pattern ZB | 2-pin | – | | ■ | ■ | – | – | 73 |
| | Socket, plug pattern ZC | 2-pin | Self-tapping screw | | ■ | ■ | – | – | 79 |
| Metric screw | | | Signal status indication (for valves only) | | ■ | ■ | – | – | 85 |
| | | | Signal status indication and holding current reduction (for valves without holding current reduction only) | | ■ | ■ | – | – | 85 |
| Open cable end | 3-wire | – | | ■ | ■ | – | – | 92 | |

Product range overview – Possible combinations

| Y-distributor with cable on controller side | Field device side | | | | Controller side | | | | → Page |
|--|-------------------|--------------------|--|--|-----------------|-----------|----------------|--------|--------|
| | | | | | Plug M12x1 | Plug M8x1 | Open cable end | | |
| | | | | | 4-pin | 4-pin | 3-wire | 4-wire | |
|  | Socket M8x1 | 3-pin | Straight | – | ■ | ■ | – | ■ | 8 |
| | Socket M12x1 | 5-pin | Straight | – | ■ | ■ | – | ■ | 25 |
| Y-distributor with cable on both sides | Field device side | | | | Controller side | | | | → Page |
| | | | | | Plug M12x1 | Plug M8x1 | Open cable end | | |
| | | | | | 4-pin | 4-pin | 3-wire | 4-wire | |
|  | Socket M8x1 | 3-pin | Straight | – | ■ | ■ | – | ■ | 8 |
| | | | Angled | – | ■ | ■ | – | ■ | 8 |
| | | | | Switching status indication and ready status indication (for PNP sensors only) | – | ■ | ■ | – | ■ |
| | | Rotatable | – | ■ | ■ | – | ■ | 8 | |
| | 4-pin | Straight | – | ■ | ■ | – | ■ | 17 | |
| | | | Signal status indication (for valves only) | – | ■ | ■ | ■ | – | 17 |
| | | Angled | – | ■ | ■ | – | ■ | 17 | |
| | | | Signal status indication (for valves only) | – | ■ | ■ | ■ | – | 17 |
| | Socket M12x1 | 5-pin | Straight | – | ■ | ■ | – | ■ | 25 |
| | | | Angled | – | ■ | ■ | – | ■ | 25 |
| | | | | Switching status indication and ready status indication (for PNP sensors only) | – | ■ | ■ | – | ■ |
| | Socket, type A | 4-pin | To EN 175301-803 | | ■ | ■ | ■ | – | 34 |
| | Socket, type B | 3-pin | To EN 175301-803 | | ■ | ■ | ■ | – | 41 |
| | | | To industry standard, 11 mm | | ■ | ■ | ■ | – | 47 |
| | Socket, type C | 4-pin | To EN 175301-803 | | ■ | ■ | ■ | – | 54 |
| | | | To industry standard, 9.4 mm | | ■ | ■ | ■ | – | 61 |
| Socket, plug pattern H | 3-pin | – | | ■ | ■ | ■ | – | 67 | |
| Socket, plug pattern ZB | 2-pin | – | | ■ | ■ | ■ | – | 73 | |
| Socket, plug pattern ZC | 2-pin | Self-tapping screw | | ■ | ■ | ■ | – | 79 | |
| | | Metric screw | Signal status indication (for valves only) | | ■ | ■ | ■ | – | 85 |
| | | | Signal status indication and holding current reduction (for valves without holding current reduction only) | | ■ | ■ | ■ | – | 85 |
| Open cable end | 3-wire | – | | ■ | ■ | – | ■ | 92 | |

Type codes

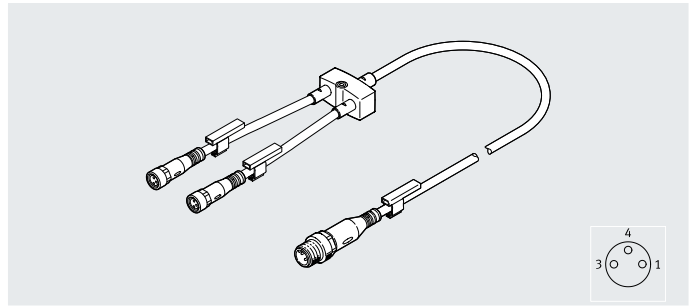
| | | |
|-------------|--|--|
| 001 | Series | |
| NEDY | Distributor | |
| 002 | Distributor type | |
| L2R1 | Y-distributor | |
| 003 | Circuitry | |
| V1 | Standard variant (see circuit diagram, standard) | |
| 004 | Connection technology left, field device side | |
| A1 | Socket type A, EN 175301-803 | |
| B1 | Socket type B, EN 175301-803 | |
| B2 | Socket type B, industry standard, 11 mm | |
| C1 | Socket type C, EN 175301-803 | |
| E1 | Socket type C, industry standard 9.4 mm | |
| H1 | Socket connection pattern H | |
| LE | Open end | |
| M8 | Socket M8x1 A-coded, EN 61076-2-104 | |
| M12 | Socket M12x1 A-coded, EN 61076-2-101 | |
| Z1 | Socket connection pattern ZB, self-tapping screw | |
| Z3 | Socket connection pattern ZC, self-tapping screw | |
| Z4 | Socket connection pattern ZC, metric screw | |
| 005 | Cable outlet left | |
| | None | |
| G | Straight | |
| R | Rotating | |
| W | Angled | |
| 006 | Number of pins/wires on the left | |
| 2 | 2 | |
| 3 | 3 | |
| 4 | 4 | |
| 5 | 5 | |

| | | |
|-------------|--|--|
| 007 | Display | |
| | None | |
| L | LED signal status, DC | |
| P | LED switching state, PNP | |
| Z | LED signal status, holding current reduction | |
| 008 | Cable characteristic | |
| | Without cable | |
| U | Suitable for energy chains | |
| 009 | Cable length left | |
| | None | |
| ...L | 0.3 ... 30 m | |
| 010 | Cable identification | |
| | With label holder | |
| N | Without label holder | |
| 011 | Connection technology right, controller side | |
| LE | Open end | |
| M8 | Plug M8x1 A-coded, EN 61076-2-104 | |
| M12 | Plug M12x1 A-coded, EN 61076-2-101 | |
| 012 | Cable outlet right | |
| | None | |
| G | Straight | |
| W | Angled | |
| 013 | Number of pins/wires on the right | |
| 3 | 3 | |
| 4 | 4 | |
| 014 | Cable length right | |
| | None | |
| ...R | 0.3 ... 30 m | |

Data sheet

Distributor NEDY-L2R1-V1-M8

- Dual distributor
- For connecting valves
- For connecting sensors
- With LED indicator for ready and switching status for connecting PNP sensors



| General technical data | |
|-------------------------|--|
| Design | Y-distributor |
| Distributor type | Y type |
| Type of mounting | Via accessories, via through-hole for M2 screw |
| Cable designation | Via inscription label holder (optional) |
| Based on standard | EN 61076-2-101, EN 61076-2-104 |
| Electrical connection 2 | |
| Function | Field device side |
| Connection type | 2x socket |
| Cable outlet | Angled, straight, rotatable |
| Design | Round |
| Connection technology | M8x1, A-coded to EN 61076-2-104 |
| Number of pins/wires | 3 |
| Assigned pins/wires | 3 |
| Display | None |
| | Green LED and yellow LED, ready and switching status |

| Technical data – Electrical components | | | | |
|--|--------|----------------|------------------------|-------------|
| Electrical connection 2 | | 2x socket M8x1 | Rotatable cable outlet | Indicator P |
| Operating voltage range | [V DC] | 0 ... 30 | 0 ... 30 | 10 ... 30 |
| | [V AC] | 0 ... 30 | 0 ... 30 | – |
| Surge resistance | [kV] | 0.8 | 0.8 | 0.8 |
| Acceptable current load at 40°C | [A] | 3 | 0.5 | 3 |
| Pollution degree | | 3 | 3 | 3 |

| Technical data – Cable | | | | |
|---|--------------------|---|---|--|
| | | Field device side | Controller side | |
| Cable diameter | [mm] | 3.8 | 4.5 | |
| Conductor nominal cross section | [mm ²] | 0.25 | 0.25 | |
| Cable characteristic | | Suitable for use with energy chains/robot applications | Suitable for use with energy chains/robot applications | |
| Cable test conditions | | Resistance to bending: to Festo standard, test conditions on request • Energy chain: 5 million cycles, bending radius: 28 mm • Torsional strength: > 300000 cycles, ±270°/0.1 m | Resistance to bending: to Festo standard, test conditions on request • Energy chain: 5 million cycles, bending radius: 28 mm • Torsional strength: > 300000 cycles, ±270°/0.1 m | |
| Bending radius, flexible cable installation | [mm] | 39 | 46 | |

Data sheet

| Technical data – Electrical connection 1 | | | |
|--|-------------------|-------------------|----------|
| Function | Controller side | | |
| Connection type | Plug | | Open end |
| Cable outlet | Straight, angled | Straight, angled | – |
| Design | Round | Round | – |
| Connection technology | M8x1, A-coded | M12x1, A-coded | – |
| Number of pins/wires | 4 | 4 | 4 |
| Assigned pins/wires | 4 | 4 | 4 |
| Display | – | – | – |
| Based on standard | To EN 61076-2-104 | To EN 61076-2-101 | – |

| Materials | |
|---------------------|---|
| Housing | PA, PC, TPE-U(PUR) |
| Housing colour | Black |
| Union nut | Nickel-plated brass |
| Threaded sleeve | Nickel-plated brass |
| Seals | NBR |
| Pin contacts | Gold-plated copper alloy |
| Cable sheath | TPE-U(PUR) |
| Cable sheath colour | Grey |
| Note on materials | Free of copper and PTFE |
| | RoHS-compliant |
| | Free of halogen and phosphoric acid ester |
| PWIS conformity | VDMA24364-B2-L |

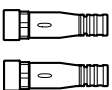
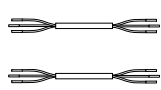
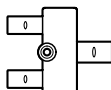
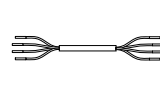
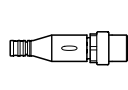
| Operating and environmental conditions | | Y-distributor with cable | Y-distributor without cable |
|--|------|--|-----------------------------|
| Ambient temperature | [°C] | –25 ... +80 | |
| Note on ambient temperature | [°C] | –10 ... +40 with mounting via through-hole | |
| Ambient temperature with flexible cable installation | [°C] | –20 ... +80 | |
| Storage temperature | [°C] | –25 ... +80 | |
| Degree of protection | | IP65/IP68, IP69K | |
| CE marking (see declaration of conformity) ¹⁾ | | To EU RoHS Directive | – |
| Corrosion resistance class CRC ²⁾ | | 2 | |

1) For information about the area of use, see the EC declaration of conformity at: www.festo.com/catalogue/ned → Support/Downloads.

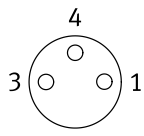
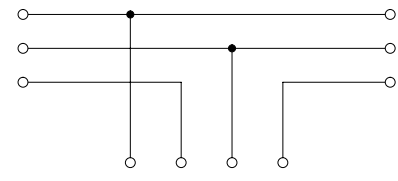
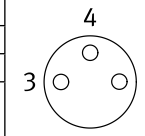
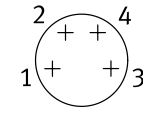
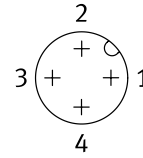
If the devices are subject to usage restrictions in residential, commercial or light-industrial environments, further measures for the reduction of the emitted interference may be necessary.

2) Corrosion resistance class CRC 2 to Festo standard FN 940070

Moderate corrosion stress. Indoor application where condensation is permitted. Exposed visible parts with primarily decorative requirements for the surface, which are in direct contact with the surrounding industrial atmosphere.

| Product weight | | | | | | | | | |
|--|---|---|----|---|---|---|-----------------|-----------------|------|
|  | |  | |  |  |  | | | |
| 2x socket [g] | | 2x cable [g/m] | | Distributor [g] | Cable [g/m] | | Plug [g] | | |
| M8x1 | 8 | 3-wire | 41 | With cable outlet | 10 | 4-wire | 26.5 | M8x1 | 4.5 |
| | | | | With plug M12x1 | 17 | | | M12x1, straight | 12 |
| | | | | With plug M8x1 | 7 | | | M12x1, angled | 12.5 |
| | | | | With socket M8x1 | 8 | | | Open end | 0 |
| The weight of the individual components must be added together to determine the overall weight: socket + length x cable + distributor + length x cable + plug | | | | | | | | | |
| Example: NEDY-L2R1-V1-M8G3-U-3L-LE4-10R 8 g + 3x 41 g + 10 g + 10x 26.5 g + 0 g = 406 g | | | | | | | | | |

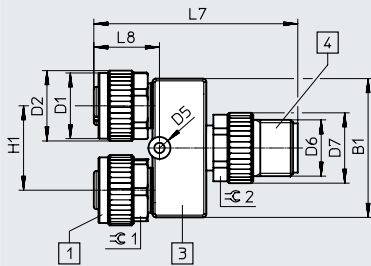
Data sheet

| Circuitry (socket/plug view) | | Wiring allocation | | | | Wire colour ¹⁾ | | Connection no. 2 | |
|--|---|---------------------------|---|---|---------------------------|---|-----|------------------|--|
| Connection no. 4 | | Pin | Wire colour ¹⁾ | | Wire colour ¹⁾ | | Pin | Connection no. 2 | |
|  | 1 | BN |  | BN | 1 |  | | | |
| | 3 | BU | | BU | 3 | | | | |
| | 4 | BK | | BK | 4 | | | | |
| | | | | | | | | | |
| | | Wire colour ¹⁾ | BN | BK | BU | WH | | | |
| | | Pin | 1 | 4 | 3 | 2 | | | |
| | | Plug M8x1 | |  | | | | | |
| | | Plug M12x1 | |  | | | | | |

1) To IEC 757

Dimensions

Y-distributor without cable



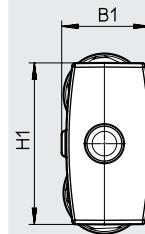
[1] Socket, field device side

[3] Distributor

[4] Plug, controller side

Download CAD data → www.festo.com

Distributor body front view



| Electrical connection, controller side | B1 | D1 | D2 ∅ | D5 ∅ | D6 | D7 ∅ | H1 | L7 | L8 | ⌀ 1 | ⌀ 2 |
|--|------|----|---------|---------|-----|---------|------|------|------|------|-------|
| Plug M8x1 | 21 | M8 | 10 | 2.2 | M8 | 10 | 12.2 | 31.8 | 10.2 | 9 mm | 9 mm |
| Plug M12x1 | 29.6 | M8 | 10 | 2.2 | M12 | 15 | 18 | 39.5 | 10.2 | 9 mm | 13 mm |

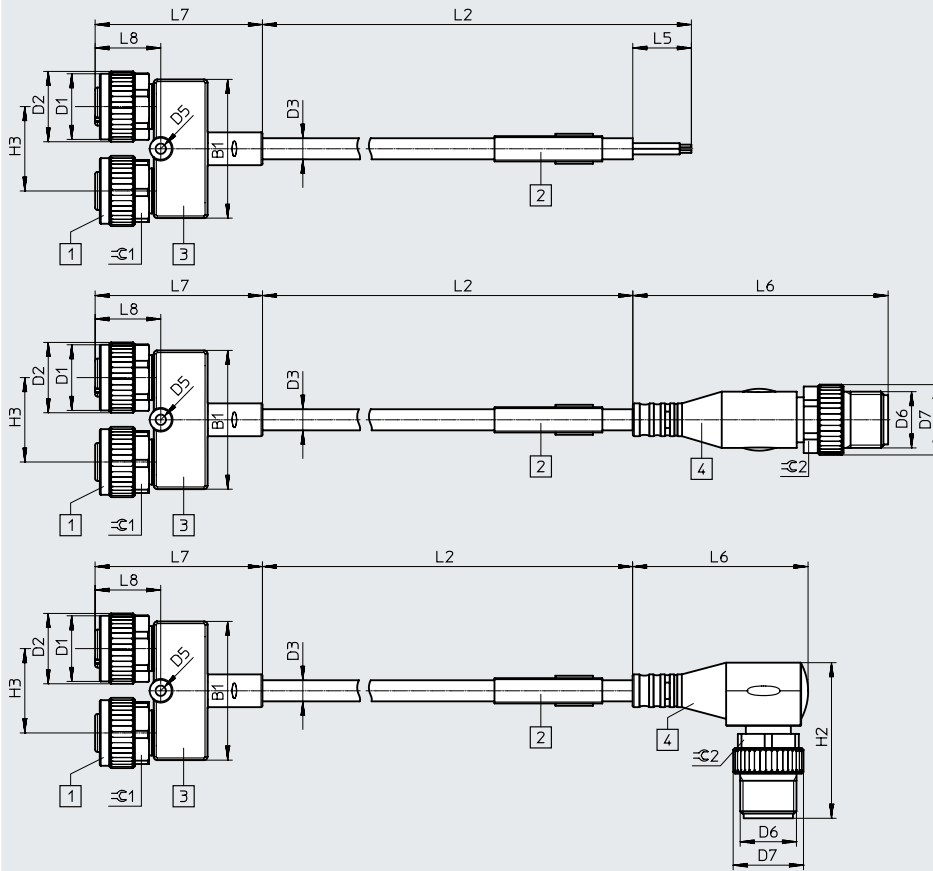
| Distributor body front view | B1 | H1 |
|-----------------------------|------|------|
| Size 1: | 12 | 21 |
| Size 2: | 16.2 | 29.6 |

Data sheet

Dimensions

Download CAD data → www.festo.com

Y-distributor with cable on controller side



[1] Socket, field device side

[2] Inscription label

[3] Distributor

[4] Plug, controller side

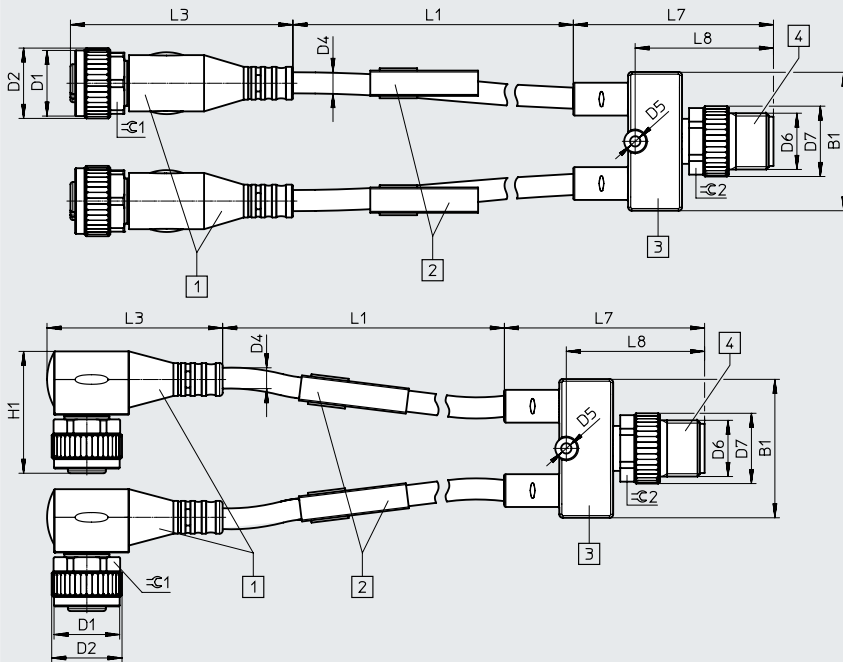
| Electrical connection, controller side | | B1 | D1 | D2 ∅ | D3 ∅ | D5 ∅ | D6 | D7 ∅ | H2 | H3 | L2 | L5 | L6 | L7 | L8 | ≅1 | ≅2 |
|--|----------|----|----|---------|---------|---------|-----|---------|------|------|---------------|----|------|------|------|------|-------|
| Open cable end | | 21 | M8 | 10 | 4.5 | 2.2 | - | - | - | 12.2 | 300 ... 30000 | 50 | - | 28.5 | 10.2 | 9 mm | - |
| Plug M8x1 | Straight | 21 | M8 | 10 | 4.5 | 2.2 | M8 | 10 | - | 12.2 | 300 ... 30000 | - | 41.1 | 28.5 | 10.2 | 9 mm | 9 mm |
| | Angled | 21 | M8 | 10 | 4.5 | 2.2 | M8 | 10 | 24 | 12.2 | 300 ... 30000 | - | 26.9 | 28.5 | 10.2 | 9 mm | 9 mm |
| Plug M12x1 | Straight | 21 | M8 | 10 | 4.5 | 2.2 | M12 | 15 | - | 12.2 | 300 ... 30000 | - | 54.5 | 28.5 | 10.2 | 9 mm | 13 mm |
| | Angled | 21 | M8 | 10 | 4.5 | 2.2 | M12 | 15 | 33.2 | 12.2 | 300 ... 30000 | - | 37.5 | 28.5 | 10.2 | 9 mm | 13 mm |

Data sheet

Dimensions

Download CAD data → www.festo.com

Y-distributor with cable on field device side



[1] Socket, field device side

[2] Inscription label

[3] Distributor

[4] Plug, controller side

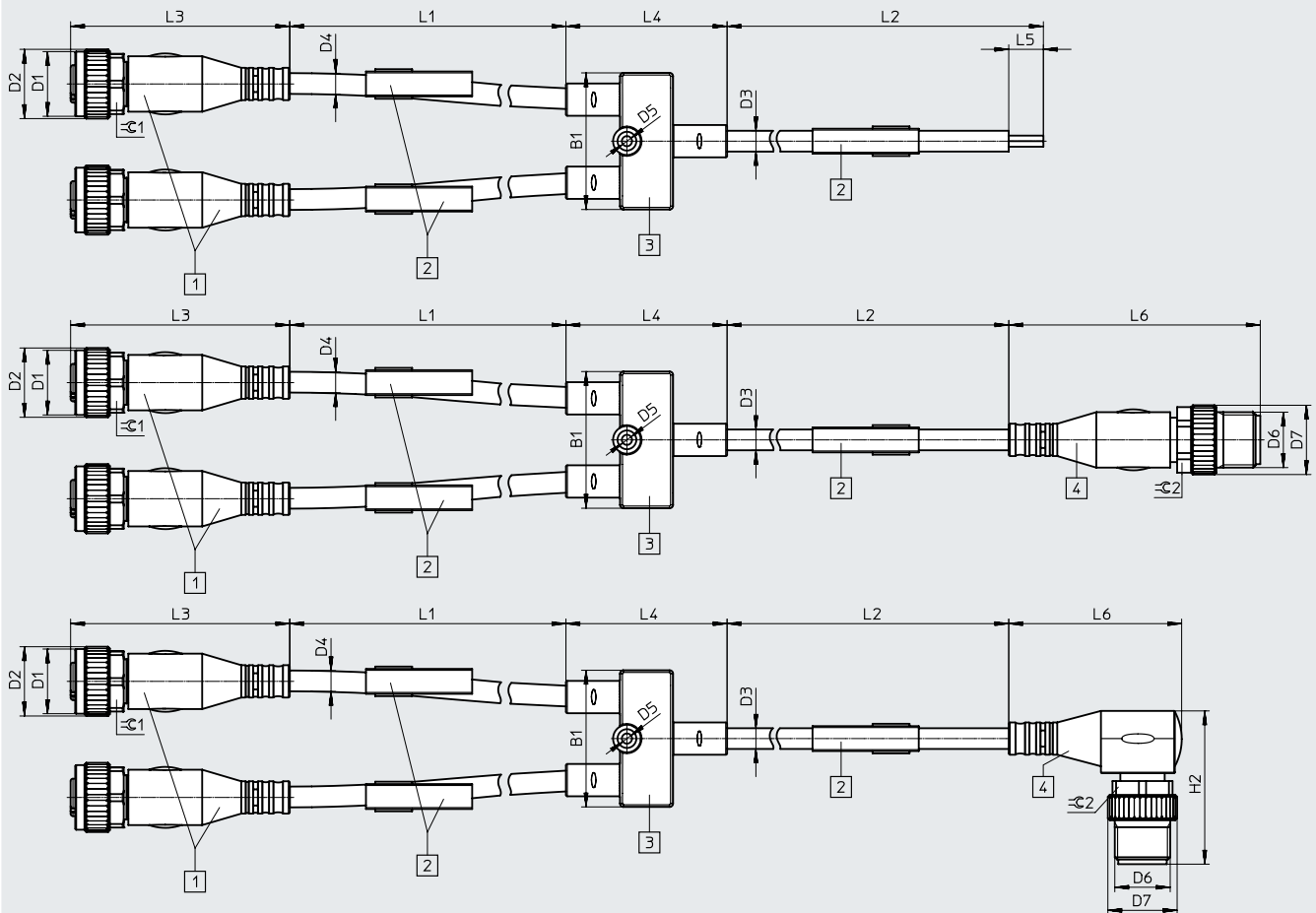
| Electrical connection, controller side | B1 | D1 | D2 | D4 | D5 | D6 | D7 | H1 | L1 | L3 | L7 | L8 | ∅ 1 | ∅ 2 |
|--|------|----|----|-----|-----|-----|----|------|---------------|------|------|------|------|-------|
| Electrical connection, field device side, straight | | | | | | | | | | | | | | |
| Plug M8x1 | 21 | M8 | 10 | 3.8 | 2.2 | M8 | 10 | - | 300 ... 30000 | 34.6 | 35 | 21.6 | 9 mm | 9 mm |
| Plug M12x1 | 29.6 | M8 | 10 | 3.8 | 2.2 | M12 | 15 | - | 300 ... 30000 | 34.6 | 42.7 | 29.5 | 9 mm | 13 mm |
| Electrical connection, field device side, angled | | | | | | | | | | | | | | |
| Plug M8x1 | 21 | M8 | 10 | 3.8 | 2.2 | M8 | 10 | 17 | 300 ... 30000 | 26.9 | 35 | 21.6 | 9 mm | 9 mm |
| Plug M12x1 | 29.6 | M8 | 10 | 3.8 | 2.2 | M12 | 15 | 17 | 300 ... 30000 | 26.9 | 42.7 | 29.5 | 9 mm | 13 mm |
| Electrical connection, field device side, rotatable | | | | | | | | | | | | | | |
| Plug M8x1 | 21 | M8 | 10 | 3.8 | 2.2 | M8 | 10 | 16.3 | 300 ... 30000 | 20.9 | 35 | 21.6 | 9 mm | 9 mm |
| Plug M12x1 | 29.6 | M8 | 10 | 3.8 | 2.2 | M12 | 15 | 16.3 | 300 ... 30000 | 20.9 | 42.7 | 29.5 | 9 mm | 13 mm |

Data sheet

Dimensions

Download CAD data → www.festo.com

Y-distributor with cable on both sides



[1] Socket, field device side [2] Inscription label [3] Distributor [4] Plug, controller side

| Electrical connection, controller side | | B1 | D1 | D2 ∅ | D3 ∅ | D4 ∅ | D5 ∅ | D6 | H2 |
|--|----------|------|----|---------|---------|---------|---------|-----|------|
| Open cable end | | 29.6 | M8 | 10 | 4.5 | 3.8 | 2.2 | – | – |
| Plug M8x1 | Straight | 29.6 | M8 | 10 | 4.5 | 3.8 | 2.2 | M8 | – |
| | Angled | 29.6 | M8 | 10 | 4.5 | 3.8 | 2.2 | M8 | 24 |
| Plug M12x1 | Straight | 29.6 | M8 | 10 | 4.5 | 3.8 | 2.2 | M12 | – |
| | Angled | 29.6 | M8 | 10 | 4.5 | 3.8 | 2.2 | M12 | 33.2 |

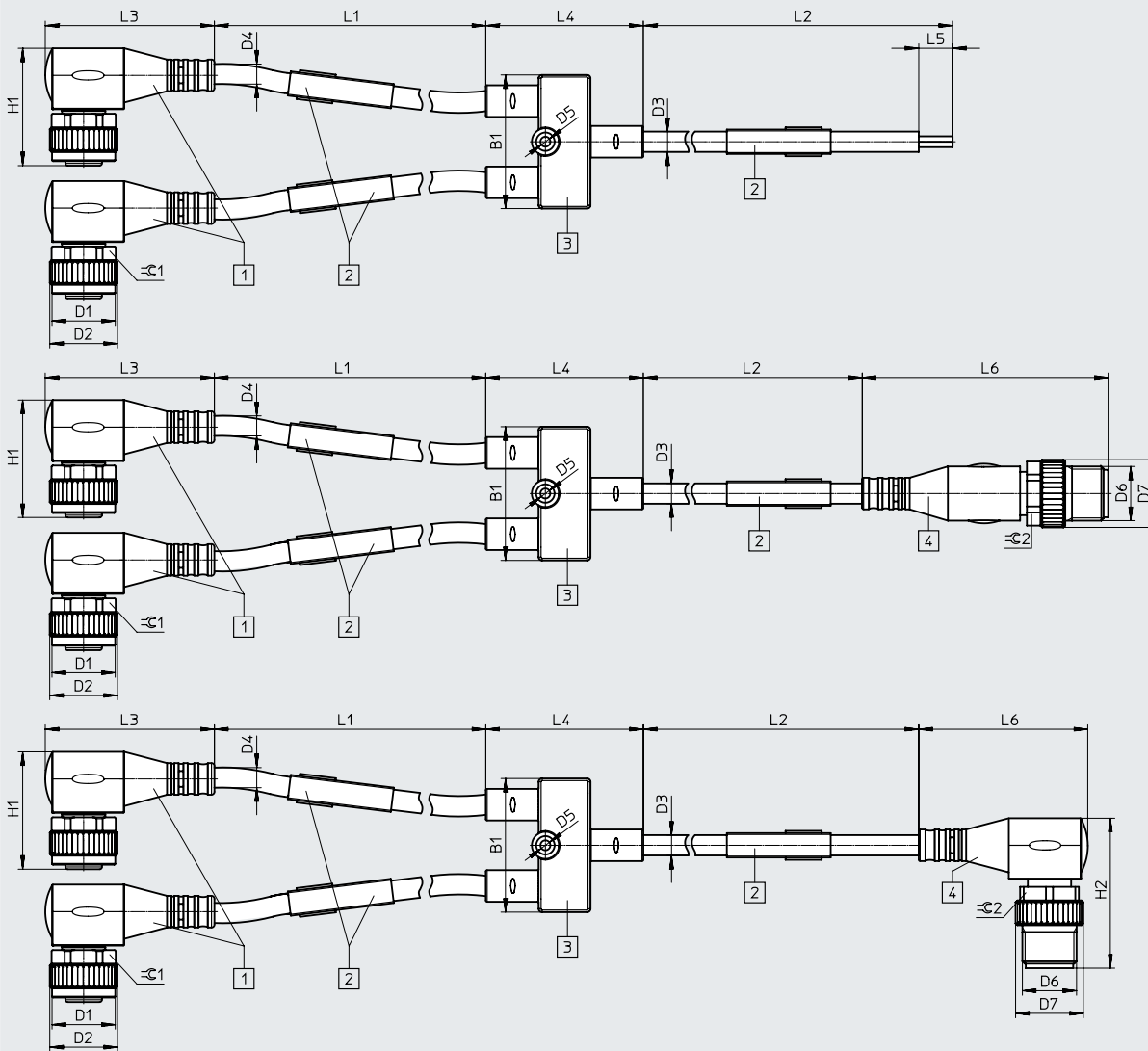
| Electrical connection, controller side | | L1 | L2 | L3 | L4 | L5 | L6 | ≙ 1 | ≙ 2 |
|--|----------|--------------------|--------------------|------|------|----|------|------|-------|
| Open cable end | | (300 ... 30000)-L2 | (300 ... 30000)-L1 | 34.6 | 34.9 | 50 | – | 9 mm | – |
| Plug M8x1 | Straight | (300 ... 30000)-L2 | (300 ... 30000)-L1 | 34.6 | 34.9 | – | 41.1 | 9 mm | 9 mm |
| | Angled | (300 ... 30000)-L2 | (300 ... 30000)-L1 | 34.6 | 34.9 | – | 26.9 | 9 mm | 9 mm |
| Plug M12x1 | Straight | (300 ... 30000)-L2 | (300 ... 30000)-L1 | 34.6 | 34.9 | – | 54.5 | 9 mm | 13 mm |
| | Angled | (300 ... 30000)-L2 | (300 ... 30000)-L1 | 34.6 | 34.9 | – | 37.5 | 9 mm | 13 mm |

Data sheet

Dimensions

Download CAD data → www.festo.com

Y-distributor with cable on both sides



[1] Socket, field device side

[2] Inscription label



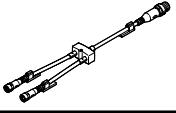
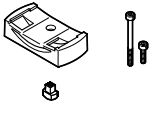
[3] Distributor

[4] Plug, controller side

| Electrical connection, controller side | B1 | D1 | D2 ∅ | D3 ∅ | D4 ∅ | D5 ∅ | D6 | H1 | | H2 |
|--|------|----|---------|---------|---------|---------|-----|----------------------------------|-------------------------------------|----|
| | | | | | | | | Cable outlet on the left, angled | Cable outlet on the left, rotatable | |
| Open cable end | 29.6 | M8 | 10 | 4.5 | 3.8 | 2.2 | – | 17 | 16.3 | – |
| Plug M8x1 | 29.6 | M8 | 10 | 4.5 | 3.8 | 2.2 | M8 | 17 | 16.3 | – |
| | | | | | | | | | | |
| Plug M12x1 | 29.6 | M8 | 10 | 4.5 | 3.8 | 2.2 | M12 | 17 | 16.3 | – |
| | | | | | | | | | | |

| Electrical connection, controller side | L1 | L2 | L3 | | L4 | L5 | L6 | ≙ 1 | ≙ 2 |
|--|--------------------|--------------------|----------------------------------|-------------------------------------|------|----|------|------|-------|
| | | | Cable outlet on the left, angled | Cable outlet on the left, rotatable | | | | | |
| Open cable end | (300 ... 30000)-L2 | (300 ... 30000)-L1 | 26.9 | 20.9 | 34.9 | 50 | – | 9 mm | – |
| Plug M8x1 | (300 ... 30000)-L2 | (300 ... 30000)-L1 | 26.9 | 20.9 | 34.9 | – | 41.1 | 9 mm | 9 mm |
| | | | | | | | | | |
| Plug M12x1 | (300 ... 30000)-L2 | (300 ... 30000)-L1 | 26.9 | 20.9 | 34.9 | – | 54.5 | 9 mm | 13 mm |
| | | | | | | | | | |

Data sheet

| Ordering data | | | | | | | |
|---|---------------------|--|---------------------|---------------|----------|---------------------------|-------------------------------------|
| | Field device side | Controller side | | Weight [g] | Part no. | Type | |
| | Cable length [m] | Electrical connection | Cable length [m] | | | | |
| Y-distributor without cable | | | | | | | |
|  | 0 | Plug, straight, M8x1 | 0 | 10.5 | 8005312 | NEDY-L2R1-V1-M8G3-N-M8G4 | |
| | | Plug, straight, M12x1 | | 20 | 8005311 | NEDY-L2R1-V1-M8G3-N-M12G4 | |
| Y-distributor with cable on controller side | | | | | | | |
|  | 0 | Plug, straight, M8x1 | | 2.5 | 79 | 8005303 | NEDY-L2R1-V1-M8G3-U-M8G4-2.5R |
| | | | | 5 | 145 | 8005304 | NEDY-L2R1-V1-M8G3-U-M8G4-5R |
| | | Plug, straight, M12x1 | | 2.5 | 86 | 8005301 | NEDY-L2R1-V1-M8G3-U-M12G4-2.5R |
| | | | | 5 | 153 | 8005302 | NEDY-L2R1-V1-M8G3-U-M12G4-5R |
| Y-distributor with cable on both sides | | | | | | | |
|  | 0.3 | Plug, straight, M8x1 | | 2.5 | 102 | 8035485 | NEDY-L2R1-V1-M8G3-U-0.3L-M8G4-2.5R |
| | | | | 5 | 168 | 8035774 | NEDY-L2R1-V1-M8G3-U-0.3L-M8G4-5R |
| | | Plug, straight, M12x1 | | 2.5 | 109 | 8032309 | NEDY-L2R1-V1-M8G3-U-0.3L-M12G4-2.5R |
| | | | | 5 | 176 | 8035484 | NEDY-L2R1-V1-M8G3-U-0.3L-M12G4-5R |
| Ordering data – Accessories | | | | | | | |
|  | Mounting for T-slot | <ul style="list-style-type: none"> For Y-distributor without cable with plug M8x1 For Y-distributor with cable on field device side and plug M8x1 For Y-distributor with cable on controller side | | | 8032868 | NEAU-A-N8-1 | |
| | | <ul style="list-style-type: none"> For Y-distributor without cable with plug M12x1 For Y-distributor with cable on field device side and plug M12x1 For Y-distributor with cable on both sides | | | 8032869 | NEAU-A-N8-2 | |

Ordering data – Modular product system

Ordering table

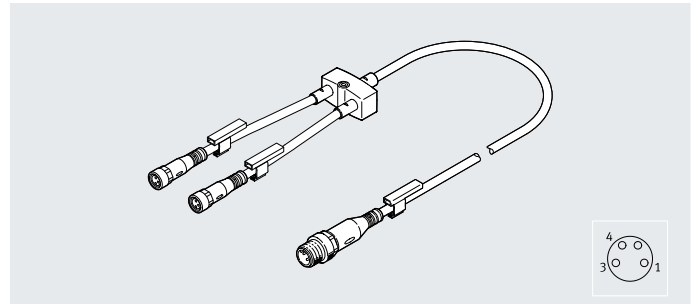
| | | Condi- tions | Code | Enter code |
|---|--|-----------------|--------------|---------------|
| Module no. | 8032867 | | | |
| Distributor | Sensor/actuator distributors | | NEDY | NEDY |
| Distributor type | Y type | | -L2R1 | -L2R1 |
| Wiring allocation | Standard variant (see circuit diagram, standard) | | -V1 | -V1 |
| Connection technology on the left, field device side | Socket M8x1, A-coded, EN 61076-2-104 | | -M8 | -M8 |
| Cable outlet on the left | Straight | | G | |
| | Rotatable | | R | |
| | Angled | | W | |
| Number of pins/wires on the left | 3-pin | | 3 | 3 |
| Display | None | [1] | | |
| | LED: ready for operation and switching status (for PNP sensors only) | [2] | P | |
| Cable characteristic | None | | | |
| | Suitable for use with energy chains/robot applications | [3] | -U | |
| Cable length on the left [m] | None | | | |
| | 0.3 ... 30 | [4] | -...L | |
| Cable designation | With inscription label holder | [3] | | |
| | Without inscription label holder | | -N | |
| Connection technology on the right, controller side | Open end | | -LE | |
| | Plug M8x1, A-coded, EN 61076-2-104 | | -M8 | |
| | Plug M12x1, A-coded, EN 61076-2-101 | | -M12 | |
| Cable outlet on the right | None | | | |
| | Straight | [5] | G | |
| | Angled | [5] | W | |
| Number of pins/wires on the right | 3-pin | [6] | 3 | |
| | 4-pin | | 4 | |
| Cable length on the right [m] | None | | | |
| | 0.3 ... 30 | [7] | -...R | |

- 1) Not in combination with number of pins/wires on the right: 3
- 2) P Not in combination with cable outlet on the left G, R
- 3) -U Only with cable length on the left or cable length on the right
- 4) -...L The sum of the cable length on the left and cable length on the right must not exceed 30 m
Mandatory specification in combination with cable outlet on the left, R or W
- 5) G, W Not in combination with connection technology on the right, controller side LE
- 6) 3 Only with connection technology on the right, LE
Not in combination with indicator P
- 7) -...R The sum of the cable length on the left and cable length on the right must not exceed 30 m
Mandatory specification in combination with cable outlet on the right, W
Mandatory specification in combination with connection technology on the right, controller side LE

Data sheet

Distributor NEDY-L2R1-V1-M8

- Dual distributor
- For connecting valves
- With LED indicator for signal status for connecting valves
- For connecting sensors



| General technical data | | |
|-------------------------|--|---------------------------|
| Display | None | Yellow LED, signal status |
| Design | Y-distributor | |
| Distributor type | Y type | |
| Type of mounting | Via accessories, via through-hole for M2 screw | |
| Cable designation | Via inscription label holder (optional) | |
| Based on standard | EN 61076-2-101, EN 61076-2-104 | |
| Electrical connection 2 | | |
| Function | Field device side | |
| Connection type | 2x socket | |
| Cable outlet | Angled, straight | |
| Design | Round | |
| Connection technology | M8x1, A-coded to EN 61076-2-104 | |
| Number of pins/wires | 4 | |
| Assigned pins/wires | 3 | 2 |

| Technical data – Electrical components | | |
|--|----------------|-------------|
| Electrical connection 2 | 2x socket M8x1 | Indicator L |
| Operating voltage range | [V DC] | 0 ... 30 |
| | [V AC] | 0 ... 30 |
| Surge resistance | [kV] | 0.8 |
| Acceptable current load at 40°C | [A] | 3 |
| Pollution degree | 3 | 3 |

| Technical data – Cable | | |
|--|--|--------------------------------|
| Electrical connection 2 | 2x socket M8x1 | Indicator L |
| Cable diameter, controller side | [mm] | 4.5 |
| Cable diameter, field device side | [mm] | 3.3 |
| Conductor nominal cross section | [mm ²] | 0.25 |
| Cable characteristic | Suitable for use with energy chains/robot applications | |
| Note on cable characteristics | – | Standard for field device side |
| Bending radius, flexible cable installation on controller side | [mm] | 46 |
| Bending radius, flexible cable installation on field device side | [mm] | 34 |

| Technical data – Cable test conditions | | |
|--|--------------------|--|
| Cable characteristic | Standard | Suitable for use with energy chains/robot applications |
| Resistance to bending | To Festo standard | To Festo standard |
| Test conditions | On request | On request |
| Energy chain | 1.5 million cycles | 5 million cycles |
| Bending radius | [mm] | 28 |
| Torsional strength | – | > 300000 cycles, ±270°/0.1 m |

Data sheet

Technical data – Electrical connection 1

| | | | | |
|-----------------------|-------------------|-------------------|----------|---|
| Function | Controller side | | | |
| Connection type | Plug | | Open end | |
| Cable outlet | Straight, angled | Straight, angled | – | – |
| Design | Round | Round | – | – |
| Connection technology | M8x1, A-coded | M12x1, A-coded | – | – |
| Number of pins/wires | 4 | 4 | 3 | 4 |
| Assigned pins/wires | 4 | 4 | 3 | 4 |
| Display | – | – | – | – |
| Based on standard | To EN 61076-2-104 | To EN 61076-2-101 | – | – |

Materials

| | |
|---------------------|--|
| Housing | PA, PC, TPE-U(PUR) |
| Housing colour | Black |
| Union nut | Nickel-plated brass |
| Threaded sleeve | Nickel-plated brass |
| Seals | NBR |
| Pin contacts | Gold-plated copper alloy |
| Cable sheath | TPE-U(PUR) |
| Cable sheath colour | Grey |
| Note on materials | Free of copper and PTFE RoHS-compliant Free of halogen and phosphoric acid ester |
| PWIS conformity | VDMA24364-B2-L |

Operating and environmental conditions

| | | |
|--|------|--|
| Ambient temperature | [°C] | –25 ... +80 |
| Note on ambient temperature | [°C] | –10 ... +40 with mounting via through-hole |
| Ambient temperature with flexible cable installation | [°C] | –20 ... +80 |
| Storage temperature | [°C] | –25 ... +80 |
| Degree of protection | | IP65/IP68, IP69K |
| CE marking (see declaration of conformity) ¹⁾ | | To EU RoHS Directive |
| Corrosion resistance class CRC ²⁾ | | 2 |

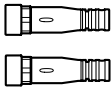
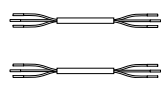
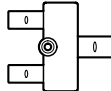
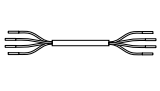
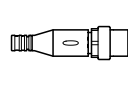
1) For information about the area of use, see the EC declaration of conformity at: www.festo.com/catalogue/medy → Support/Downloads.

If the devices are subject to usage restrictions in residential, commercial or light-industrial environments, further measures for the reduction of the emitted interference may be necessary.

2) Corrosion resistance class CRC 2 to Festo standard FN 940070

Moderate corrosion stress. Indoor application where condensation is permitted. Exposed visible parts with primarily decorative requirements for the surface, which are in direct contact with the surrounding industrial atmosphere.

Product weight

|  | |  | |  | |  | |  | |
|---|---|---|----|---|----|--|------|---|------|
| 2x socket [g] | | 2x cable [g/m] | | Distributor [g] | | Cable [g/m] | | Plug [g] | |
| M8x1 | 8 | 2-wire | 31 | With cable outlet | 10 | 3-wire | 19.5 | M8x1 | 4.5 |
| Socket M8x1 with LED | 7 | 3-wire | 41 | With plug M12x1 | 17 | 4-wire | 26.5 | M12x1, straight | 12 |
| | | | | With plug M8x1 | 7 | | | M12x1, angled | 12.5 |
| | | | | | | | | Open end | 0 |

The weight of the individual components must be added together to determine the overall weight:
socket + length x cable + distributor + length x cable + plug

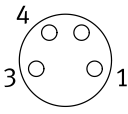
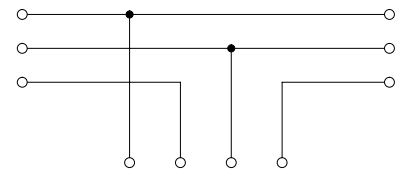
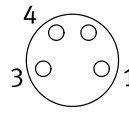
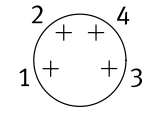
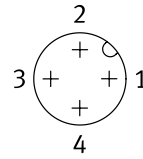
Example:

NEDY-L2R1-V1-M8G4-U-3L-LE4-10R

8 g + 3x 41 g + 10 g + 10x 26.5 g + 0 g = 406 g

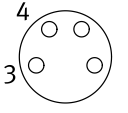
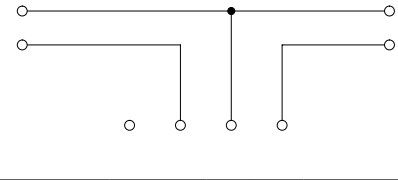
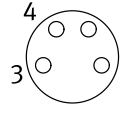
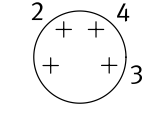
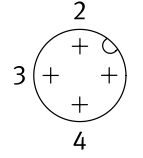
Data sheet

Circuitry without signal status indication (socket/plug view)

| Connection no. 4 | Pin | Wire colour ¹⁾ | Wiring allocation | Wire colour ¹⁾ | Pin | Connection no. 2 | | | | | | | | |
|---|-----|---|--|---------------------------|-----|---|----|----|----|-----|---|---|---|---|
|  | 1 | BN |  | BN | 1 |  | | | | | | | | |
| | 3 | BU | | BU | 3 | | | | | | | | | |
| | 4 | BK | | BK | 4 | | | | | | | | | |
| | | | <table border="1"> <thead> <tr> <th>Wire colour¹⁾</th> <th>BN</th> <th>BK</th> <th>BU</th> <th>WH</th> </tr> </thead> <tbody> <tr> <td>Pin</td> <td>1</td> <td>4</td> <td>3</td> <td>2</td> </tr> </tbody> </table> | Wire colour ¹⁾ | BN | | BK | BU | WH | Pin | 1 | 4 | 3 | 2 |
| Wire colour ¹⁾ | BN | BK | BU | WH | | | | | | | | | | |
| Pin | 1 | 4 | 3 | 2 | | | | | | | | | | |
| | | Plug M8x1 | | | | | | | | | | | | |
| | |  | | | | | | | | | | | | |
| | | Plug M12x1 | | | | | | | | | | | | |
| | |  | | | | | | | | | | | | |

1) To IEC 757

Circuitry with signal status indication (socket/plug view)

| Connection no. 4 | Pin | Wire colour ¹⁾ | Wiring allocation | Wire colour ¹⁾ | Pin | Connection no. 2 | | | | | | | | | | |
|---|---------------------------|---|--|---|---------------------------|---|---|----|----|----|-----|---|---|---|---|--|
|  | 3 | BU |  | BU | 3 |  | | | | | | | | | | |
| | 4 | BN | | BN | 4 | | | | | | | | | | | |
| | | | | <table border="1"> <thead> <tr> <th>Wire colour¹⁾</th> <th>-</th> <th>BK</th> <th>BU</th> <th>BN</th> </tr> </thead> <tbody> <tr> <td>Pin</td> <td>-</td> <td>4</td> <td>3</td> <td>2</td> </tr> </tbody> </table> | Wire colour ¹⁾ | | - | BK | BU | BN | Pin | - | 4 | 3 | 2 | |
| | Wire colour ¹⁾ | - | BK | BU | BN | | | | | | | | | | | |
| Pin | - | 4 | 3 | 2 | | | | | | | | | | | | |
| | | Plug M8x1 | | | | | | | | | | | | | | |
| | |  | | | | | | | | | | | | | | |
| | | Plug M12x1 | | | | | | | | | | | | | | |
| | |  | | | | | | | | | | | | | | |

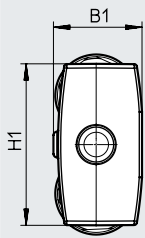
1) To IEC 757

Data sheet

Dimensions

Download CAD data → www.festo.com

Distributor body front view

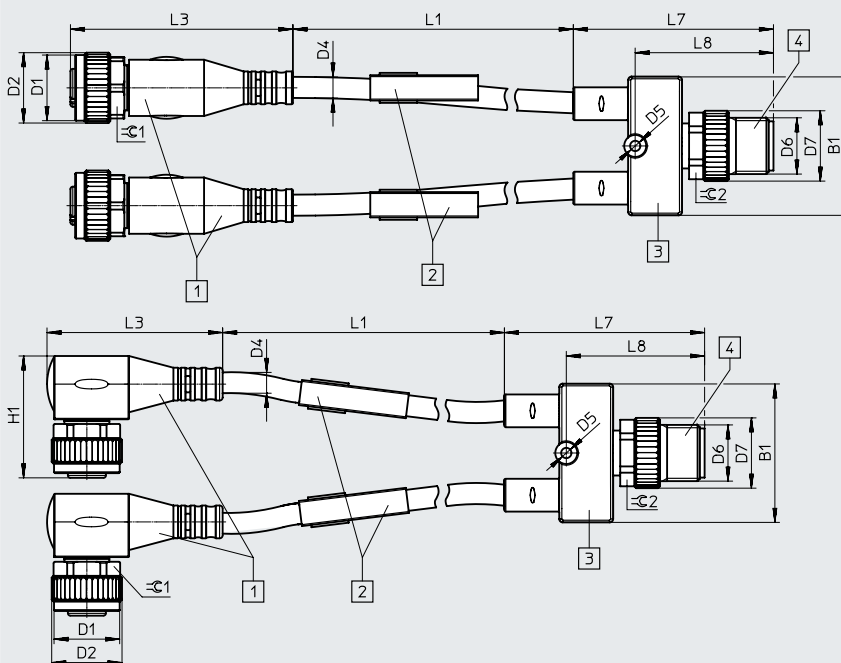


Distributor body front view

B1 H1

| | | | |
|---------|--|------|------|
| Size 1: | • Y-distributor with cable on field device side and plug M8x1 | 12 | 21 |
| Size 2: | • Y-distributor with cable on field device side and plug M12x1 • Y-distributor with cable on both sides | 16.2 | 29.6 |

Y-distributor with cable on field device side



- [1] Socket, field device side
- [2] Inscription label
- [3] Distributor
- [4] Plug, controller side

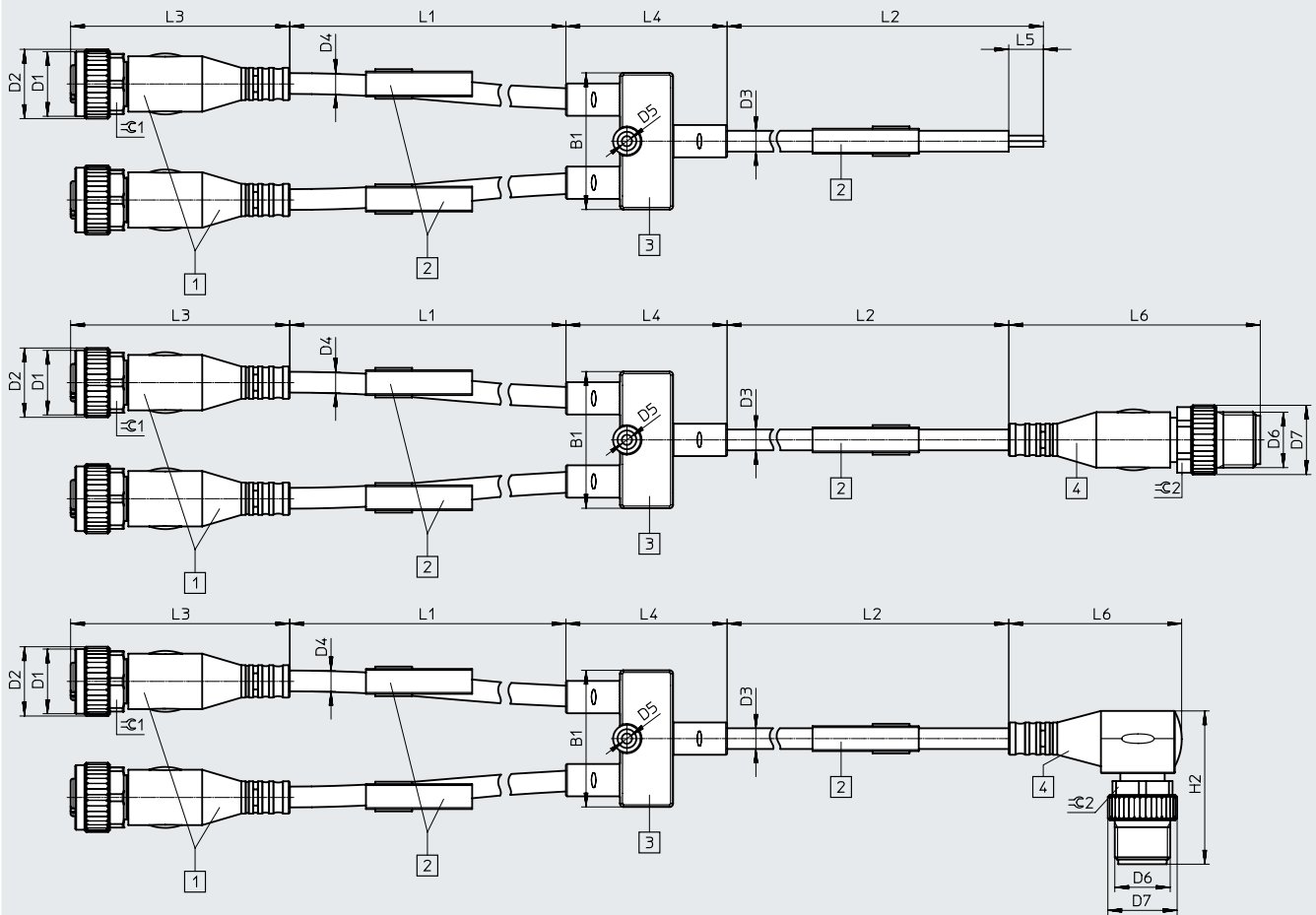
| Electrical connection, controller side | B1 | D1 | D2 | D4 | D5 | D6 | D7 | H1 | L1 | L3 | L7 | L8 | ϕ1 | ϕ2 |
|---|------|----|----|-----|-----|-----|----|----|---------------|------|------|------|------|-------|
| Electrical connection on field device side, straight, without signal status indication | | | | | | | | | | | | | | |
| Plug M8x1 | 21 | M8 | 10 | 3.8 | 2.2 | M8 | 10 | - | 300 ... 30000 | 34.6 | 35 | 21.6 | 9 mm | 9 mm |
| Plug M12x1 | 29.6 | M8 | 10 | 3.8 | 2.2 | M12 | 15 | - | 300 ... 30000 | 34.6 | 42.7 | 29.5 | 9 mm | 13 mm |
| Electrical connection on field device side, straight, with signal status indication | | | | | | | | | | | | | | |
| Plug M8x1 | 21 | M8 | 10 | 3.3 | 2.2 | M8 | 10 | - | 300 ... 30000 | 34.6 | 35 | 21.6 | 9 mm | 9 mm |
| Plug M12x1 | 29.6 | M8 | 10 | 3.3 | 2.2 | M12 | 15 | - | 300 ... 30000 | 34.6 | 42.7 | 29.5 | 9 mm | 13 mm |
| Electrical connection on field device side, angled, without signal status indication | | | | | | | | | | | | | | |
| Plug M8x1 | 21 | M8 | 10 | 3.8 | 2.2 | M8 | 10 | 17 | 300 ... 30000 | 26.9 | 35 | 21.6 | 9 mm | 9 mm |
| Plug M12x1 | 29.6 | M8 | 10 | 3.8 | 2.2 | M12 | 15 | 17 | 300 ... 30000 | 26.9 | 42.7 | 29.5 | 9 mm | 13 mm |
| Electrical connection on field device side, angled, with signal status indication | | | | | | | | | | | | | | |
| Plug M8x1 | 21 | M8 | 10 | 3.3 | 2.2 | M8 | 10 | 17 | 300 ... 30000 | 26.9 | 35 | 21.6 | 9 mm | 9 mm |
| Plug M12x1 | 29.6 | M8 | 10 | 3.3 | 2.2 | M12 | 15 | 17 | 300 ... 30000 | 26.9 | 42.7 | 29.5 | 9 mm | 13 mm |

Data sheet

Dimensions

Download CAD data → www.festo.com

Y-distributor with cable on both sides



[1] Socket, field device side [2] Inscription label [3] Distributor [4] Plug, controller side

| Electrical connection, controller side | B1 | D1 | D2 ∅ | D3 ∅ | D4 ∅ | | D5 ∅ | D6 | H2 |
|--|------|----|---------|---------|-------------|----------|---------|-----|----|
| | | | | | Without LED | With LED | | | |
| Open cable end | 29.6 | M8 | 10 | 4.5 | 3.8 | 3.3 | 2.2 | – | – |
| Plug M8x1 | 29.6 | M8 | 10 | 4.5 | 3.8 | 3.3 | 2.2 | M8 | – |
| | | | | | | | | | |
| Plug M12x1 | 29.6 | M8 | 10 | 4.5 | 3.8 | 3.3 | 2.2 | M12 | – |
| | | | | | | | | | |

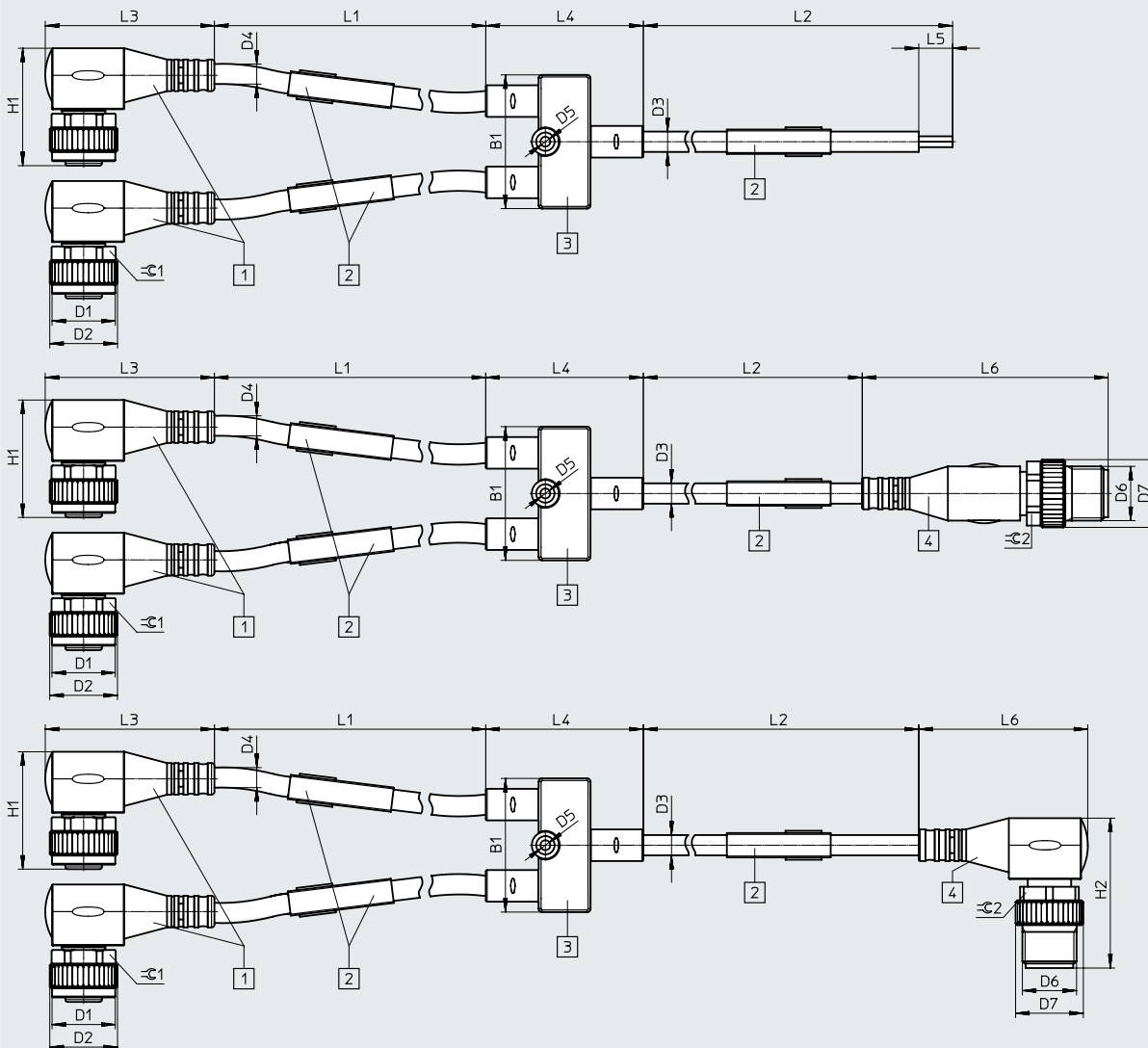
| Electrical connection, controller side | L1 | L2 | L3 | L4 | L5 | L6 | Ø1 | Ø2 |
|--|--------------------|--------------------|------|------|----|------|------|-------|
| Open cable end | (300 ... 30000)-L2 | (300 ... 30000)-L1 | 34.6 | 34.9 | 50 | – | 9 mm | – |
| Plug M8x1 | (300 ... 30000)-L2 | (300 ... 30000)-L1 | 34.6 | 34.9 | – | 41.1 | 9 mm | 9 mm |
| | | | | | | | | |
| Plug M12x1 | (300 ... 30000)-L2 | (300 ... 30000)-L1 | 34.6 | 34.9 | – | 54.5 | 9 mm | 13 mm |
| | | | | | | | | |

Data sheet

Dimensions

Download CAD data → www.festo.com

Y-distributor with cable on both sides



[1] Socket, field device side

[2] Inscription label

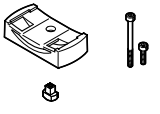
[3] Distributor

[4] Plug, controller side

| Electrical connection, controller side | B1 | D1 | D2 ∅ | D3 ∅ | D4 ∅ | | D5 ∅ | D6 | H1 | H2 |
|--|------|----|---------|---------|-------------|----------|---------|-----|----|----|
| | | | | | Without LED | With LED | | | | |
| Open cable end | 29.6 | M8 | 10 | 4.5 | 3.8 | 3.3 | 2.2 | – | 17 | – |
| Plug M8x1 | 29.6 | M8 | 10 | 4.5 | 3.8 | 3.3 | 2.2 | M8 | 17 | – |
| | | | | | | | | | | |
| Plug M12x1 | 29.6 | M8 | 10 | 4.5 | 3.8 | 3.3 | 2.2 | M12 | 17 | – |
| | | | | | | | | | | |

| Electrical connection, controller side | L1 | L2 | L3 | L4 | L5 | L6 | ⌀ 1 | ⌀ 2 |
|--|--------------------|--------------------|------|------|----|------|------|-------|
| Open cable end | (300 ... 30000)-L2 | (300 ... 30000)-L1 | 26.9 | 34.9 | 50 | – | 9 mm | – |
| Plug M8x1 | (300 ... 30000)-L2 | (300 ... 30000)-L1 | 26.9 | 34.9 | – | 41.1 | 9 mm | 9 mm |
| | | | | | | | | |
| Plug M12x1 | (300 ... 30000)-L2 | (300 ... 30000)-L1 | 26.9 | 34.9 | – | 54.5 | 9 mm | 13 mm |
| | | | | | | | | |

Data sheet

| Ordering data – Accessories | | | Part no. | Type |
|---|---------------------|--|----------------|--------------------|
|  | Mounting for T-slot | • For Y-distributor with cable on field device side and plug M8x1 | 8032868 | NEAU-A-N8-1 |
| | | • For Y-distributor with cable on field device side and plug M12x1 | 8032869 | NEAU-A-N8-2 |
| | | • For Y-distributor with cable on both sides | | |

Ordering data – Modular product system

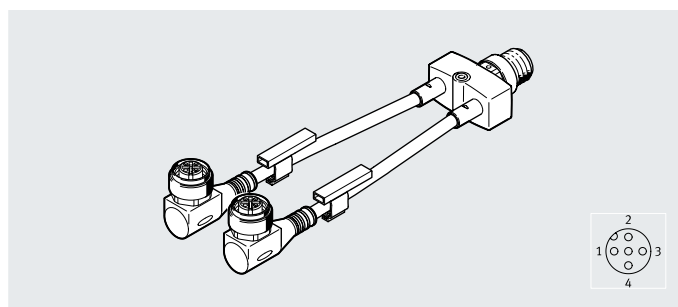
| Ordering table | | Condi- tions | Code | Enter code |
|--|--|-----------------|--------------|---------------|
| Module no. | 8032867 | | | |
| Distributor | Sensor/actuator distributors | | NEDY | NEDY |
| Distributor type | Y type | | -L2R1 | -L2R1 |
| Wiring allocation | Standard variant (see circuit diagram, standard) | | -V1 | -V1 |
| Connection technology on the left, field device side | Socket M8x1, A-coded, EN 61076-2-104 | | -M8 | -M8 |
| Cable outlet on the left | Straight | | G | |
| | Angled | | W | |
| Number of pins/wires on the left | 4-pin | | 4 | 4 |
| Display | None | [1] | | |
| | Signal status LED (for valves only) | | L | |
| Cable characteristic | Suitable for use with energy chains/robot applications | | -U | -U |
| Cable length on the left [m] | 0.3 ... 30 | [2] | -...L | |
| Cable designation | With inscription label holder | | | |
| | Without inscription label holder | | -N | |
| Connection technology on the right, controller side | Open end | | -LE | |
| | Plug M8x1, A-coded, EN 61076-2-104 | | -M8 | |
| | Plug M12x1, A-coded, EN 61076-2-101 | | -M12 | |
| Cable outlet on the right | None | | | |
| | Straight | [3] | G | |
| | Angled | [3] | W | |
| Number of pins/wires on the right | 3-pin | [4] | 3 | |
| | 4-pin | | 4 | |
| Cable length on the right [m] | None | | | |
| | 0.3 ... 30 | [5] | -...R | |

- 1) Not in combination with number of pins/wires on the right: 3
- 2) -...L The sum of the cable length on the left and cable length on the right must not exceed 30 m
- 3) G, W Not in combination with connection technology on the right, controller side LE
- 4) 3 Only with connection technology on the right, LE
- 5) -...R The sum of the cable length on the left and cable length on the right must not exceed 30 m
Mandatory specification in combination with cable outlet on the right, W
Mandatory specification in combination with connection technology on the right, controller side LE

Data sheet

Distributor NEDY-L2R1-V1-M12

- Dual distributor
- For connecting valves
- For connecting sensors
- With LED indicator for ready and switching status for connecting PNP sensors



| General technical data | | |
|-------------------------|--|--|
| Display | None | Yellow LED, ready and switching status |
| Design | Y-distributor | |
| Distributor type | Y type | |
| Type of mounting | Via accessories, via through-hole for M2 screw | |
| Cable designation | Via inscription label holder (optional) | |
| Based on standard | EN 61076-2-101, EN 61076-2-104 | |
| Electrical connection 2 | | |
| Function | Field device side | |
| Connection type | 2x socket | |
| Cable outlet | Angled, straight | Angled |
| Design | Round | |
| Connection technology | M12x1, A-coded to EN 61076-2-101 | |
| Number of pins/wires | 5 | |
| Assigned pins/wires | 4 | 3 |

| Technical data – Electrical components | | | | | | |
|--|--------|-------------------------|-----------|----------|-------------------------|-------------|
| | | Electrical connection 1 | | | Electrical connection 2 | |
| | | Plug M12x1 | Plug M8x1 | Open end | No indicator | Indicator P |
| Operating voltage range | [V DC] | 0 ... 30 | 0 ... 30 | 0 ... 30 | 0 ... 30 | 10 ... 30 |
| | [V AC] | 0 ... 30 | 0 ... 30 | 0 ... 30 | – | – |
| Surge resistance | [kV] | 0.8 | 0.8 | 0.8 | 0.8 | 0.8 |
| Acceptable current load at 40°C | [A] | 4 | 3 | 4 | 4 | 4 |
| Pollution degree | | 3 | 3 | 3 | 3 | 3 |

| Technical data – Cable | | |
|---|---|------|
| Cable diameter, controller side | [mm] | 4.5 |
| Cable diameter, field device side | [mm] | 4.5 |
| Conductor nominal cross section | [mm ²] | 0.25 |
| Cable characteristic | Suitable for use with energy chains/robot applications | |
| Cable test conditions | Resistance to bending: to Festo standard, test conditions on request <ul style="list-style-type: none"> • Energy chain: 5 million cycles, bending radius: 28 mm • Torsional strength: > 300000 cycles, ±270°/0.1 m | |
| Bending radius, flexible cable installation | [mm] | 46 |

Data sheet

| Technical data – Electrical connection 1 | | | |
|--|-------------------|-------------------|----------|
| Function | Controller side | | |
| Connection type | Plug | | Open end |
| Cable outlet | Straight, angled | Straight, angled | – |
| Design | Round | Round | – |
| Connection technology | M8x1, A-coded | M12x1, A-coded | – |
| Number of pins/wires | 4 | 4 | 4 |
| Assigned pins/wires | 4 | 4 | 4 |
| Display | – | – | – |
| Based on standard | To EN 61076-2-104 | To EN 61076-2-101 | – |

| Materials | |
|---------------------|--|
| Housing | PA, TPE-U(PUR) |
| Housing colour | Black |
| Union nut | Nickel-plated brass |
| Threaded sleeve | Nickel-plated brass |
| Seals | NBR |
| Pin contacts | Gold-plated copper alloy |
| Cable sheath | TPE-U(PUR) |
| Cable sheath colour | Grey |
| Note on materials | Free of copper and PTFE RoHS-compliant Free of halogen and phosphoric acid ester |
| PWIS conformity | VDMA24364-B2-L |

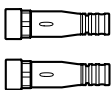
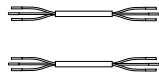
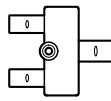
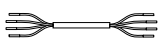
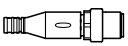
| Operating and environmental conditions | | Y-distributor with cable | Y-distributor without cable |
|--|------|--|-----------------------------|
| Ambient temperature | [°C] | –25 ... +80 | |
| Note on ambient temperature | [°C] | –10 ... +40 with mounting via through-hole | |
| Ambient temperature with flexible cable installation | [°C] | –20 ... +80 | |
| Storage temperature | [°C] | –25 ... +80 | |
| Degree of protection | | IP65/IP68, IP69K | |
| CE marking (see declaration of conformity) ¹⁾ | | To EU RoHS Directive | – |
| Corrosion resistance class CRC ²⁾ | | 2 | |

1) For information about the area of use, see the EC declaration of conformity at: www.festo.com/catalogue/ned → Support/Downloads.

If the devices are subject to usage restrictions in residential, commercial or light-industrial environments, further measures for the reduction of the emitted interference may be necessary.

2) Corrosion resistance class CRC 2 to Festo standard FN 940070

Moderate corrosion stress. Indoor application where condensation is permitted. Exposed visible parts with primarily decorative requirements for the surface, which are in direct contact with the surrounding industrial atmosphere.

| Product weight | | | | | | | | | |
|---|----|---|----|---|----|--|------|---|------|
|  | |  | |  | |  | |  | |
| 2x socket [g] | | 2x cable [g/m] | | Distributor [g] | | Cable [g/m] | | Plug [g] | |
| M12x1, straight | 18 | 3-wire | 41 | With cable outlet | 10 | 4-wire | 26.5 | M8x1 | 4.5 |
| M12x1, angled | 20 | 4-wire | 53 | With plug M12x1 | 17 | | | M12x1, straight | 12 |
| | | | | With socket M12x1 | 19 | | | M12x1, angled | 12.5 |
| | | | | With plug M8x1 | 7 | | | Open end | 0 |

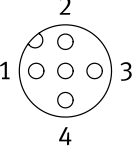
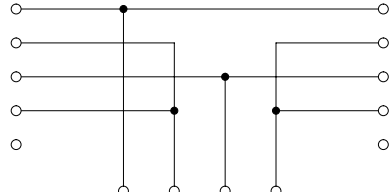
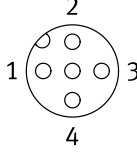
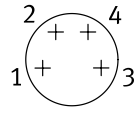
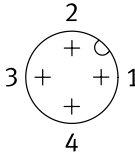
The weight of the individual components must be added together to determine the overall weight:
socket + length x cable + distributor + length x cable + plug

Example:

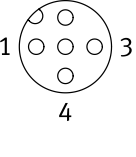
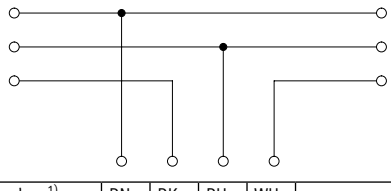
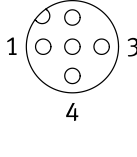
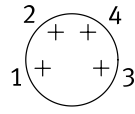
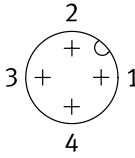
NEDY-L2R1-V1-M12G5-U-3L-LE4-10R

18 g + 3x 53 g + 10 g + 10x 26.5 g + 0 g = 452 g

Data sheet

| Circuitry without indication (socket/plug view) | | | | | | |
|---|-----|---------------------------|--|---------------------------|-----|---|
| Connection no. 4 | Pin | Wire colour ¹⁾ | Wiring allocation | Wire colour ¹⁾ | Pin | Connection no. 2 |
|  | 1 | BN |  | BN | 1 |  |
| | 2 | WH | | WH | 2 | |
| | 3 | BU | | BU | 3 | |
| | 4 | BK | | BK | 4 | |
| | 5 | - | | - | 5 | |
| | | Wire colour ¹⁾ | BN BK BU WH | | | |
| | | Pin | 1 4 3 2 | | | |
| Plug M8x1 | | | | | | |
|  | | | | | | |
| Plug M12x1 | | | | | | |
|  | | | | | | |

1) To IEC 757

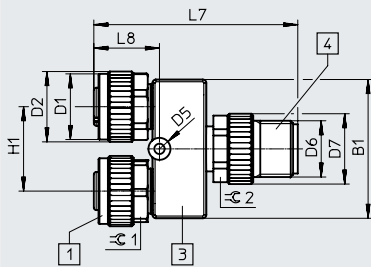
| Circuitry with indication (socket/plug view) | | | | | | |
|---|-----|---------------------------|--|---------------------------|-----|---|
| Connection no. 4 | Pin | Wire colour ¹⁾ | Wiring allocation | Wire colour ¹⁾ | Pin | Connection no. 2 |
|  | 1 | BN |  | BN | 1 |  |
| | 3 | BU | | BU | 3 | |
| | 4 | BK | | BK | 4 | |
| | 2 | - | | | 2 | |
| | 5 | - | | - | 5 | |
| | | Wire colour ¹⁾ | BN BK BU WH | | | |
| | | Pin | 1 4 3 2 | | | |
| Plug M8x1 | | | | | | |
|  | | | | | | |
| Plug M12x1 | | | | | | |
|  | | | | | | |

1) To IEC 757

Data sheet

Dimensions

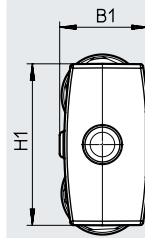
Y-distributor without cable



- [1] Socket, field device side
- [3] Distributor
- [4] Plug, controller side

Download CAD data → www.festo.com

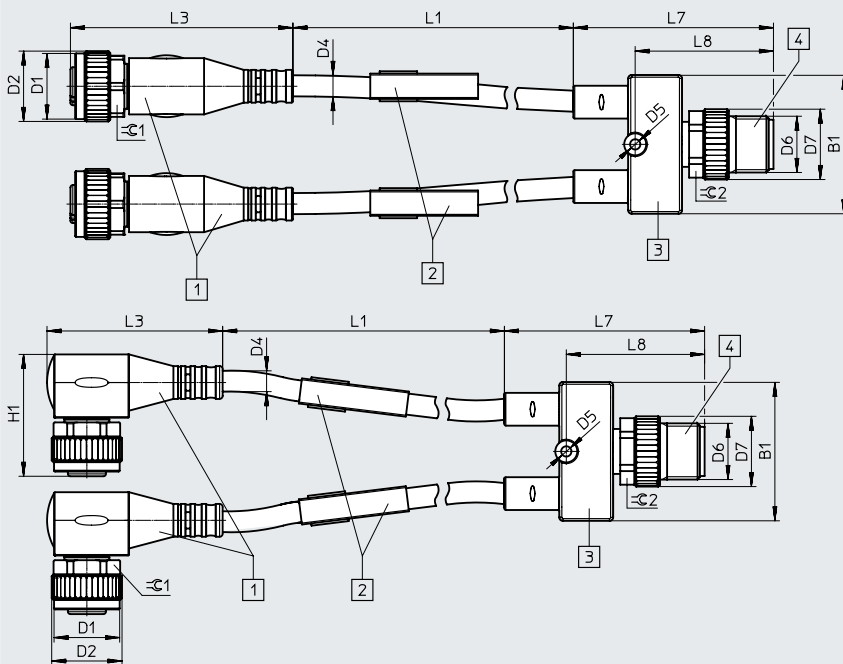
Distributor body front view



| Electrical connection, controller side | B1 | D1 | D2 | D5 | D6 | D7 | H1 | L7 | L8 | ⌀ 1 | ⌀ 2 |
|--|------|-----|----|-----|-----|----|----|------|----|-------|-------|
| Plug M12x1 | 29.6 | M12 | 15 | 2.2 | M12 | 15 | 18 | 43.5 | 14 | 13 mm | 13 mm |

| Distributor body front view | B1 | H1 | |
|-----------------------------|---|------|------|
| Size 1: | • Y-distributor with cable on field device side and plug M8x1 | 12 | 21 |
| Size 2: | • Y-distributor without cable • Y-distributor with cable on field device side and plug M12x1 • Y-distributor with cable on both sides | 16.2 | 29.6 |

Y-distributor with cable on field device side



- [1] Socket, field device side
- [2] Inscription label
- [3] Distributor
- [4] Plug, controller side

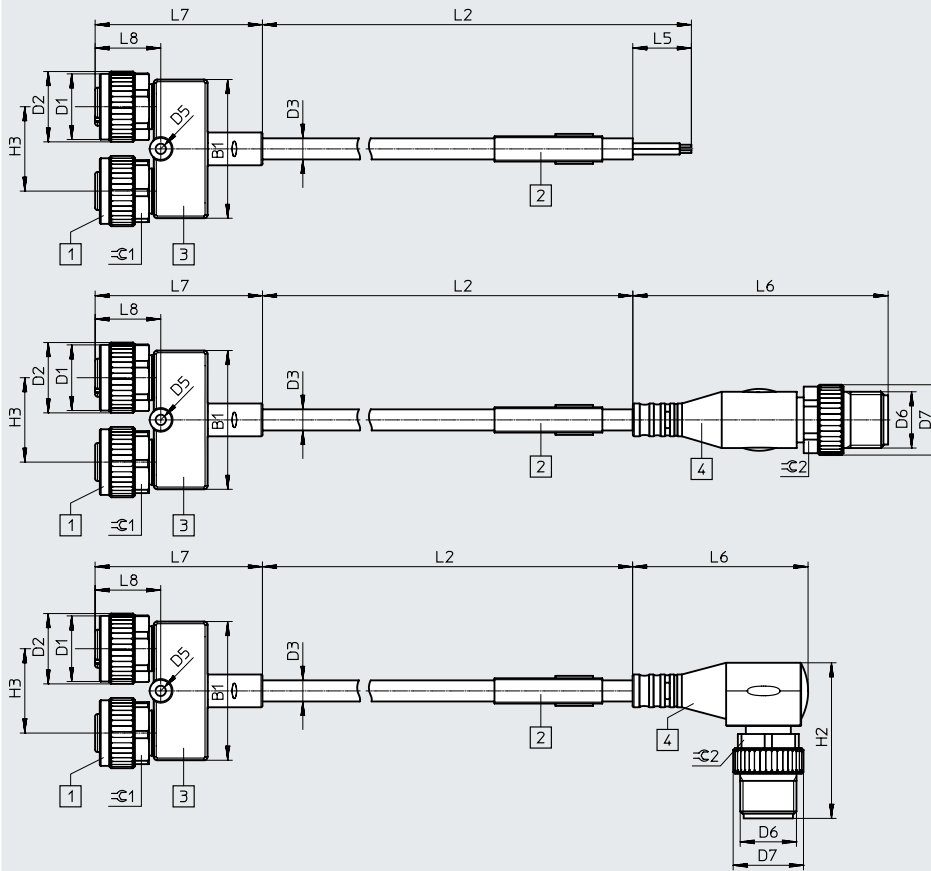
| Electrical connection, controller side | B1 | D1 | D2 | D4 | D5 | D6 | D7 | H1 | L1 | L3 | L7 | L8 | ⌀ 1 | ⌀ 2 |
|---|------|-----|----|-----|-----|-----|----|----|---------------|------|------|------|-------|-------|
| Electrical connection, field device side, straight | | | | | | | | | | | | | | |
| Plug M12x1 | 29.6 | M12 | 15 | 4.5 | 2.2 | M12 | 15 | - | 300 ... 30000 | 47.5 | 42.7 | 29.5 | 13 mm | 13 mm |
| Electrical connection, field device side, angled | | | | | | | | | | | | | | |
| Plug M12x1 | 29.6 | M12 | 15 | 4.5 | 2.2 | M12 | 15 | 26 | 300 ... 30000 | 37.5 | 42.7 | 29.5 | 13 mm | 13 mm |

Data sheet

Dimensions

Download CAD data → www.festo.com

Y-distributor with cable on controller side



[1] Socket, field device side

[2] Inscription label

[3] Distributor

[4] Plug, controller side

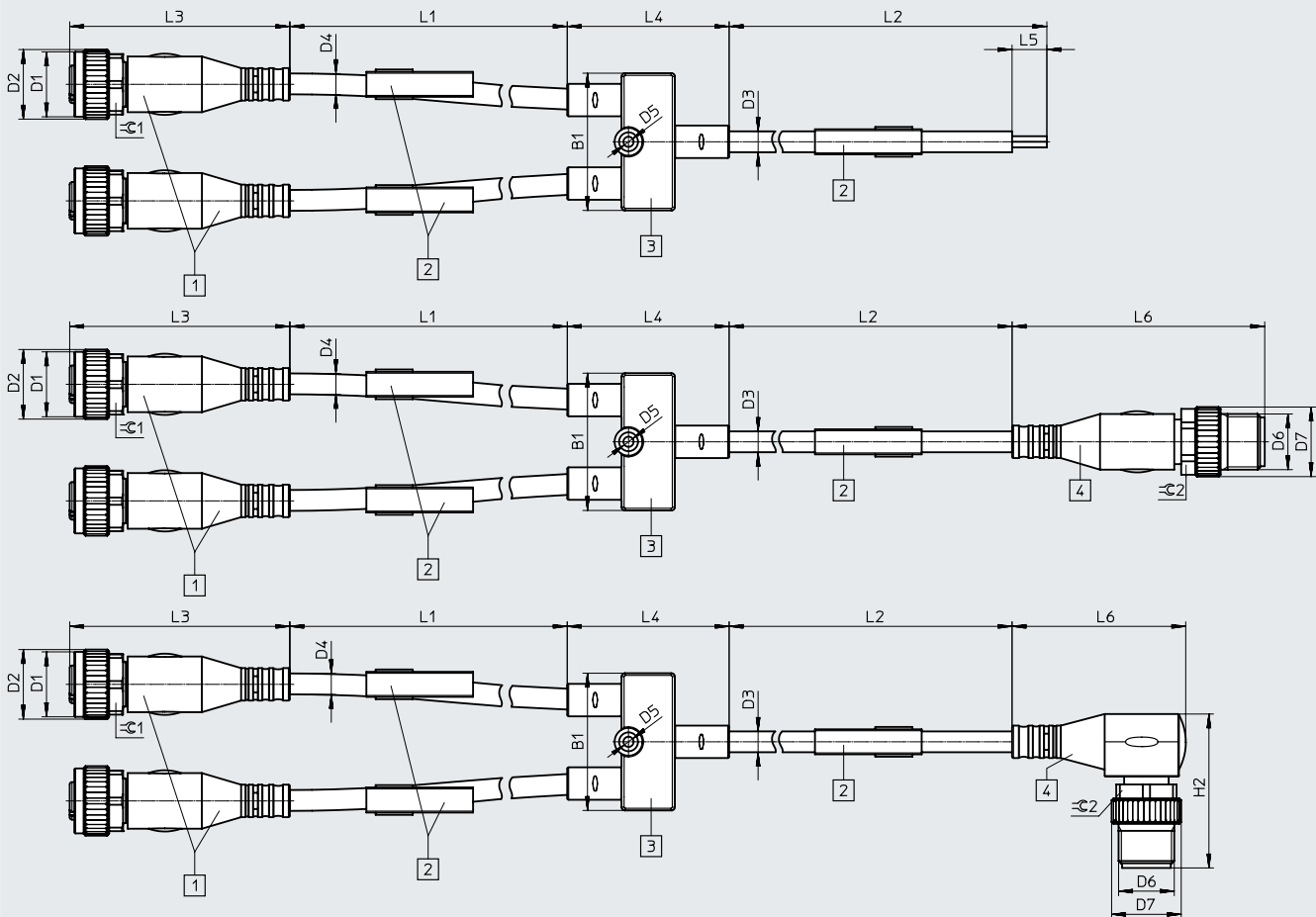
| Electrical connection, controller side | B1 | D1 | D2 ∅ | D3 ∅ | D5 ∅ | D6 | D7 ∅ | H2 | H3 | L2 | L5 | L6 | L7 | L8 | ≅ 1 | ≅ 2 |
|--|------|-----|---------|---------|---------|-----|---------|------|----|---------------|----|------|------|----|-------|-------|
| Open cable end | 29.6 | M12 | 15 | 4.5 | 2.2 | - | - | - | 18 | 300 ... 30000 | 50 | - | 35.7 | 14 | 13 mm | - |
| Plug M8x1 | 29.6 | M12 | 15 | 4.5 | 2.2 | M8 | 10 | - | 18 | 300 ... 30000 | - | 41.1 | 35.7 | 14 | 13 mm | 9 mm |
| | | | | | | | | 24 | 18 | 300 ... 30000 | - | 26.9 | 35.7 | 14 | 13 mm | 9 mm |
| Plug M12x1 | 29.6 | M12 | 15 | 4.5 | 2.2 | M12 | 15 | - | 18 | 300 ... 30000 | - | 54.5 | 35.7 | 14 | 13 mm | 13 mm |
| | | | | | | | | 33.2 | 18 | 300 ... 30000 | - | 37.5 | 35.7 | 14 | 13 mm | 13 mm |

Data sheet

Dimensions

Download CAD data → www.festo.com

Y-distributor with cable on both sides



[1] Socket, field device side [2] Inscription label [3] Distributor [4] Plug, controller side

| Electrical connection, controller side | | B1 | D1 | D2 ∅ | D3 ∅ | D4 ∅ | D5 ∅ | D6 | H2 |
|--|----------|------|-----|---------|---------|---------|---------|-----|------|
| Open cable end | | 29.6 | M12 | 15 | 4.5 | 4.5 | 2.2 | – | – |
| Plug M8x1 | Straight | 29.6 | M12 | 15 | 4.5 | 4.5 | 2.2 | M8 | – |
| | Angled | 29.6 | M12 | 15 | 4.5 | 4.5 | 2.2 | M8 | 24 |
| Plug M12x1 | Straight | 29.6 | M12 | 15 | 4.5 | 4.5 | 2.2 | M12 | – |
| | Angled | 29.6 | M12 | 15 | 4.5 | 4.5 | 2.2 | M12 | 33.2 |

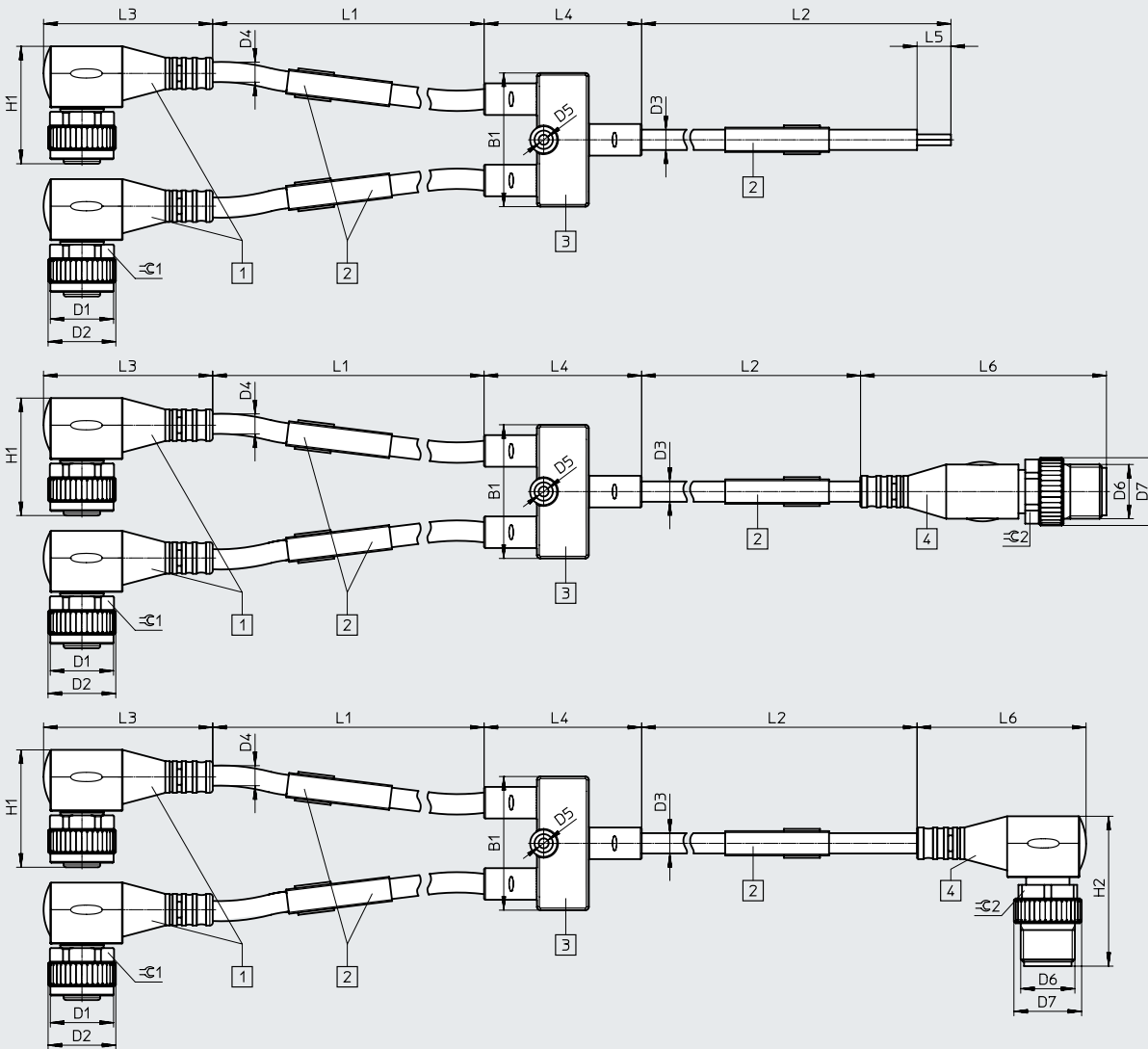
| Electrical connection, controller side | | L1 | L2 | L3 | L4 | L5 | L6 | ≙1 | ≙2 |
|--|----------|--------------------|--------------------|------|------|----|------|-------|-------|
| Open cable end | | (300 ... 30000)-L2 | (300 ... 30000)-L1 | 47.5 | 34.9 | 50 | – | 13 mm | – |
| Plug M8x1 | Straight | (300 ... 30000)-L2 | (300 ... 30000)-L1 | 47.5 | 34.9 | – | 41.1 | 13 mm | 9 mm |
| | Angled | (300 ... 30000)-L2 | (300 ... 30000)-L1 | 47.5 | 34.9 | – | 26.9 | 13 mm | 9 mm |
| Plug M12x1 | Straight | (300 ... 30000)-L2 | (300 ... 30000)-L1 | 47.5 | 34.9 | – | 54.5 | 13 mm | 13 mm |
| | Angled | (300 ... 30000)-L2 | (300 ... 30000)-L1 | 47.5 | 34.9 | – | 37.5 | 13 mm | 13 mm |

Data sheet

Dimensions

Download CAD data → www.festo.com

Y-distributor with cable on both sides



[1] Socket, field device side

[2] Inscription label



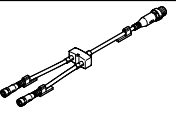
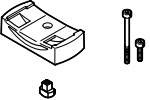
[3] Distributor

[4] Plug, controller side

| Electrical connection, controller side | | B1 | D1 | D2 ∅ | D3 ∅ | D4 ∅ | D5 ∅ | D6 | H1 | H2 |
|--|----------|------|-----|---------|---------|---------|---------|-----|----|------|
| Open cable end | | 29.6 | M12 | 15 | 4.5 | 4.5 | 2.2 | – | 26 | – |
| Plug M8x1 | Straight | 29.6 | M12 | 15 | 4.5 | 4.5 | 2.2 | M8 | 26 | – |
| | Angled | 29.6 | M12 | 15 | 4.5 | 4.5 | 2.2 | M8 | 26 | 24 |
| Plug M12x1 | Straight | 29.6 | M12 | 15 | 4.5 | 4.5 | 2.2 | M12 | 26 | – |
| | Angled | 29.6 | M12 | 15 | 4.5 | 4.5 | 2.2 | M12 | 26 | 33.2 |

| Electrical connection, controller side | | L1 | L2 | L3 | L4 | L5 | L6 | ∅1 | ∅2 |
|--|----------|--------------------|--------------------|------|------|----|------|-------|-------|
| Open cable end | | (300 ... 30000)-L2 | (300 ... 30000)-L1 | 37.5 | 34.9 | 50 | – | 13 mm | – |
| Plug M8x1 | Straight | (300 ... 30000)-L2 | (300 ... 30000)-L1 | 37.5 | 34.9 | – | 41.1 | 13 mm | 9 mm |
| | Angled | (300 ... 30000)-L2 | (300 ... 30000)-L1 | 37.5 | 34.9 | – | 26.9 | 13 mm | 9 mm |
| Plug M12x1 | Straight | (300 ... 30000)-L2 | (300 ... 30000)-L1 | 37.5 | 34.9 | – | 54.5 | 13 mm | 13 mm |
| | Angled | (300 ... 30000)-L2 | (300 ... 30000)-L1 | 37.5 | 34.9 | – | 37.5 | 13 mm | 13 mm |

Data sheet

| Ordering data | | | | | | |
|--|---------------------|--|---------------------|---------------|----------------|---|
| | Field device side | Controller side | | Weight [g] | Part no. | Type |
| | Cable length [m] | Electrical connection | Cable length [m] | | | |
| Y-distributor without cable | | | | | | |
|  | 0 | Plug, straight, M12x1 | 0 | 27 | 8005310 | NEDY-L2R1-V1-M12G5-N-M12G4 |
| Y-distributor with cable on controller side | | | | | | |
|  | 0 | Plug, straight, M8x1 | 2.5 | 90 | 8032307 | NEDY-L2R1-V1-M12G5-U-M8G4-2.5R |
| | | | 5 | 156 | 8032308 | NEDY-L2R1-V1-M12G5-U-M8G4-5R |
| | | Plug, straight, M12x1 | 2.5 | 97 | 8005305 | NEDY-L2R1-V1-M12G5-U-M12G4-2.5R |
| | | | 5 | 164 | 8005306 | NEDY-L2R1-V1-M12G5-U-M12G4-5R |
| Y-distributor with cable on both sides | | | | | | |
|  | 0.3 | Plug, straight, M8x1 | 2.5 | 113 | 8035777 | NEDY-L2R1-V1-M12G5-U-0.3L-M8G4-2.5R |
| | | | 5 | 179 | 8035778 | NEDY-L2R1-V1-M12G5-U-0.3L-M8G4-5R |
| | | Plug, straight, M12x1 | 2.5 | 120 | 8035775 | NEDY-L2R1-V1-M12G5-U-0.3L-M12G4-2.5R |
| | | | 5 | 187 | 8035776 | NEDY-L2R1-V1-M12G5-U-0.3L-M12G4-5R |
| Ordering data – Accessories | | | | | Part no. | Type |
|  | Mounting for T-slot | <ul style="list-style-type: none"> • For Y-distributor with cable on field device side and plug M8x1 | | | 8032868 | NEAU-A-N8-1 |
| | | <ul style="list-style-type: none"> • For Y-distributor without cable • For Y-distributor with cable on field device side and plug M12x1 • For Y-distributor with cable on controller side • For Y-distributor with cable on both sides | | | 8032869 | NEAU-A-N8-2 |

Ordering data – Modular product system

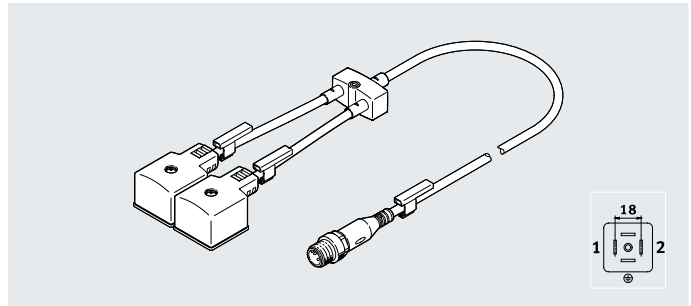
| Ordering table | | Condi- tions | Code | Enter code |
|--|--|-----------------|--------------|---------------|
| Module no. | 8032867 | | | |
| Distributor | Sensor/actuator distributors | | NEDY | NEDY |
| Distributor type | Y type | | -L2R1 | -L2R1 |
| Wiring allocation | Standard variant (see circuit diagram, standard) | | -V1 | -V1 |
| Connection technology on the left, field device side | Socket M12x1, A-coded, EN 61076-2-101 | | -M12 | -M12 |
| Cable outlet on the left | Straight | | G | |
| | Angled | | W | |
| Number of pins/wires on the left | 5-pin | | 5 | 5 |
| Display | None | | | |
| | LED: ready for operation and switching status (for PNP sensors only) | [1] | P | |
| Cable characteristic | None | | | |
| | Suitable for use with energy chains/robot applications | [2] | -U | |
| Cable length on the left [m] | None | | | |
| | 0.3 ... 30 | [3] | -...L | |
| Cable designation | With inscription label holder | [2] | | |
| | Without inscription label holder | | -N | |
| Connection technology on the right, controller side | Open end | | -LE | |
| | Plug M8x1, A-coded, EN 61076-2-104 | [2] | -M8 | |
| | Plug M12x1, A-coded, EN 61076-2-101 | | -M12 | |
| Cable outlet on the right | None | | | |
| | Straight | [4] | G | |
| | Angled | [4] | W | |
| Number of pins/wires on the right | 4-pin | | 4 | 4 |
| Cable length on the right [m] | None | | | |
| | 0.3 ... 30 | [5] | -...R | |

- 1) P Not in combination with cable outlet on the left, G
2) -U, -M8 Only with cable length on the left or cable length on the right
3) -...L The sum of the cable length on the left and cable length on the right must not exceed 30 m
4) G, W Not in combination with connection technology on the right, controller side LE
5) -...R The sum of the cable length on the left and cable length on the right must not exceed 30 m
Mandatory specification in combination with cable outlet on the right, W
Mandatory specification in combination with connection technology on the right, controller side M8
Mandatory specification in combination with connection technology on the right, controller side LE

Data sheet

Distributor NEDY-L2R1-V1-A1

- Dual distributor
- For connecting valves



General technical data

| | |
|-------------------|--|
| Design | Y-distributor |
| Distributor type | Y type |
| Type of mounting | Via accessories, via through-hole for M2 screw |
| Cable designation | Via inscription label holder (optional) |
| Based on standard | EN 175301-803, EN 61076-2-101, EN 61076-2-104 |

Electrical connection 2

| | |
|-----------------------|--------------------------------------|
| Function | Field device side |
| Connection type | 2x socket |
| Cable outlet | Angled |
| Design | Rectangular |
| Connection technology | Plug pattern type A to EN 175301-803 |
| Number of pins/wires | 4 |
| Assigned pins/wires | 2 |
| Display | Yellow LED, signal status indication |

Technical data – Electrical components

| Electrical connection 1 | Plug M8x1 | Plug M12x1 | Open end |
|-------------------------------------|---------------|---------------|---------------|
| Operating voltage range [V DC] | 20.4 ... 27.6 | 20.4 ... 27.6 | 20.4 ... 27.6 |
| Surge resistance [kV] | 0.8 | 0.8 | 0.8 |
| Acceptable current load at 40°C [A] | 3 | 4 | 4 |
| Pollution degree | 3 | 3 | 3 |

Technical data – Cable

| | |
|--|---|
| Cable diameter [mm] | 3.8 |
| Conductor nominal cross section [mm ²] | 0.25 |
| Cable characteristic | Suitable for use with energy chains/robot applications |
| Cable test conditions | Resistance to bending: to Festo standard, test conditions on request <ul style="list-style-type: none"> • Energy chain: 5 million cycles, bending radius: 28 mm • Torsional strength: > 300000 cycles, ±270°/0.1 m |
| Bending radius, flexible cable installation [mm] | 39 |

Data sheet

| Technical data – Electrical connection 1 | | | |
|--|-------------------|-------------------|----------|
| Function | Controller side | | |
| Connection type | Plug | | Open end |
| Cable outlet | Straight, angled | Straight, angled | – |
| Design | Round | Round | – |
| Connection technology | M8x1, A-coded | M12x1, A-coded | – |
| Number of pins/wires | 4 | 4 | 3 |
| Assigned pins/wires | 3 | 3 | 3 |
| Display | – | – | – |
| Based on standard | To EN 61076-2-104 | To EN 61076-2-101 | – |

| Materials | |
|---------------------|--|
| Housing | PA, PC, TPE-U(PUR) |
| Housing colour | Black |
| Threaded sleeve | Nickel-plated brass |
| Seals | NBR |
| Pin contacts | Gold-plated copper alloy, silver-plated copper alloy |
| Cable sheath | TPE-U(PUR) |
| Cable sheath colour | Grey |
| Note on materials | Free of copper and PTFE RoHS-compliant Free of halogen and phosphoric acid ester |
| PWIS conformity | VDMA24364-B2-L |

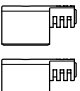
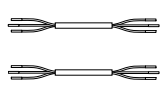
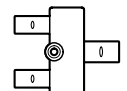
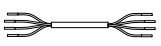
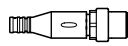
| Operating and environmental conditions | | |
|--|------|--|
| Ambient temperature | [°C] | –20 ... +80 |
| Note on ambient temperature | [°C] | –10 ... +40 with mounting via through-hole |
| Ambient temperature with flexible cable installation | [°C] | –20 ... +80 |
| Storage temperature | [°C] | –20 ... +80 |
| Degree of protection | | IP65/IP67 |
| CE marking (see declaration of conformity) ¹⁾ | | To EU RoHS Directive |
| Corrosion resistance class CRC ²⁾ | | 1 |

1) For information about the area of use, see the EC declaration of conformity at: www.festo.com/catalogue/medy → Support/Downloads.

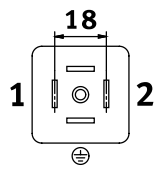
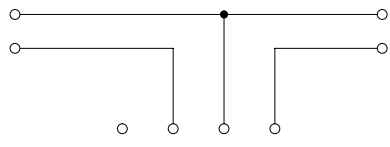
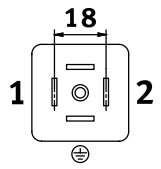
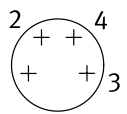
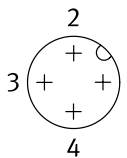
If the devices are subject to usage restrictions in residential, commercial or light-industrial environments, further measures for the reduction of the emitted interference may be necessary.

2) Corrosion resistance class CRC 1 to Festo standard FN 940070

Low corrosion stress. Dry indoor application or transport and storage protection. Also applies to parts behind coverings, in the non-visible interior area, or parts that are covered in the application (e.g. drive trunnions).

| Product weight | | | | | | | | | |
|---|----|---|----|---|----|---|------|---|------|
|  | |  | |  | |  | |  | |
| 2x socket [g] | | 2x cable [g/m] | | Distributor [g] | | Cable [g/m] | | Plug [g] | |
| Plug pattern type A | 41 | 3-wire | 41 | With cable outlet | 10 | 3-wire | 19.5 | M8x1 | 4.5 |
| | | | | With plug M12x1 | 17 | | | M12x1, straight | 12 |
| | | | | With plug M8x1 | 7 | | | M12x1, angled | 12.5 |
| | | | | With socket M8x1 | 8 | | | Open end | 0 |
| <p>The weight of the individual components must be added together to determine the overall weight: socket + length x cable + distributor + length x cable + plug</p> <p>Example: NEDY-L2R1-V1-A1W4L-U-3L-LE3-10R 41 g + 3x 41 g + 10 g + 10x 19.5 g + 0 g = 369 g</p> | | | | | | | | | |

Data sheet

| Circuitry (socket/plug view) | | Wiring allocation | | | | Wire colour ¹⁾ | | Pin | | Connection no. 2 | |
|--|---|---|---|----|----|---------------------------|----|-----|---|------------------|---|
|  | 1 | BN |  | | | | BN | 1 |  | 1 | 2 |
| | 2 | BU | | | | | BN | 1 | | | |
| | | Wire colour ¹⁾ | - | BK | BU | BN | | | | | |
| | | Pin | 1 | 4 | 3 | 2 | | | | | |
| | | Plug M8x1 | | | | | | | | | |
| | |  | | | | | | | | | |
| | | Plug M12x1 | | | | | | | | | |
| | |  | | | | | | | | | |

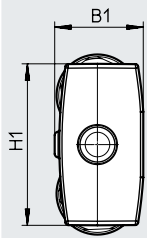
1) To IEC 757

Data sheet

Dimensions

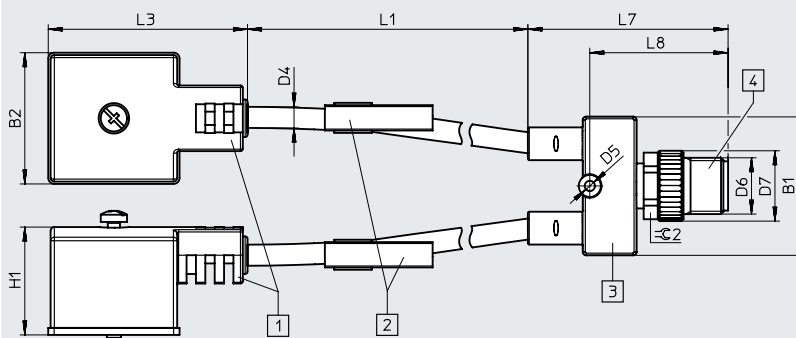
Download CAD data → www.festo.com

Distributor body front view



| Distributor body front view | | B1 | H1 |
|-----------------------------|--|------|------|
| Size 1: | • Y-distributor with cable on field device side and plug M8x1 | 12 | 21 |
| Size 2: | • Y-distributor with cable on field device side and plug M12x1 • Y-distributor with cable on both sides | 16.2 | 29.6 |

Y-distributor with cable on field device side



- [1] Socket, field device side [2] Inscription label [3] Distributor [4] Plug, controller side

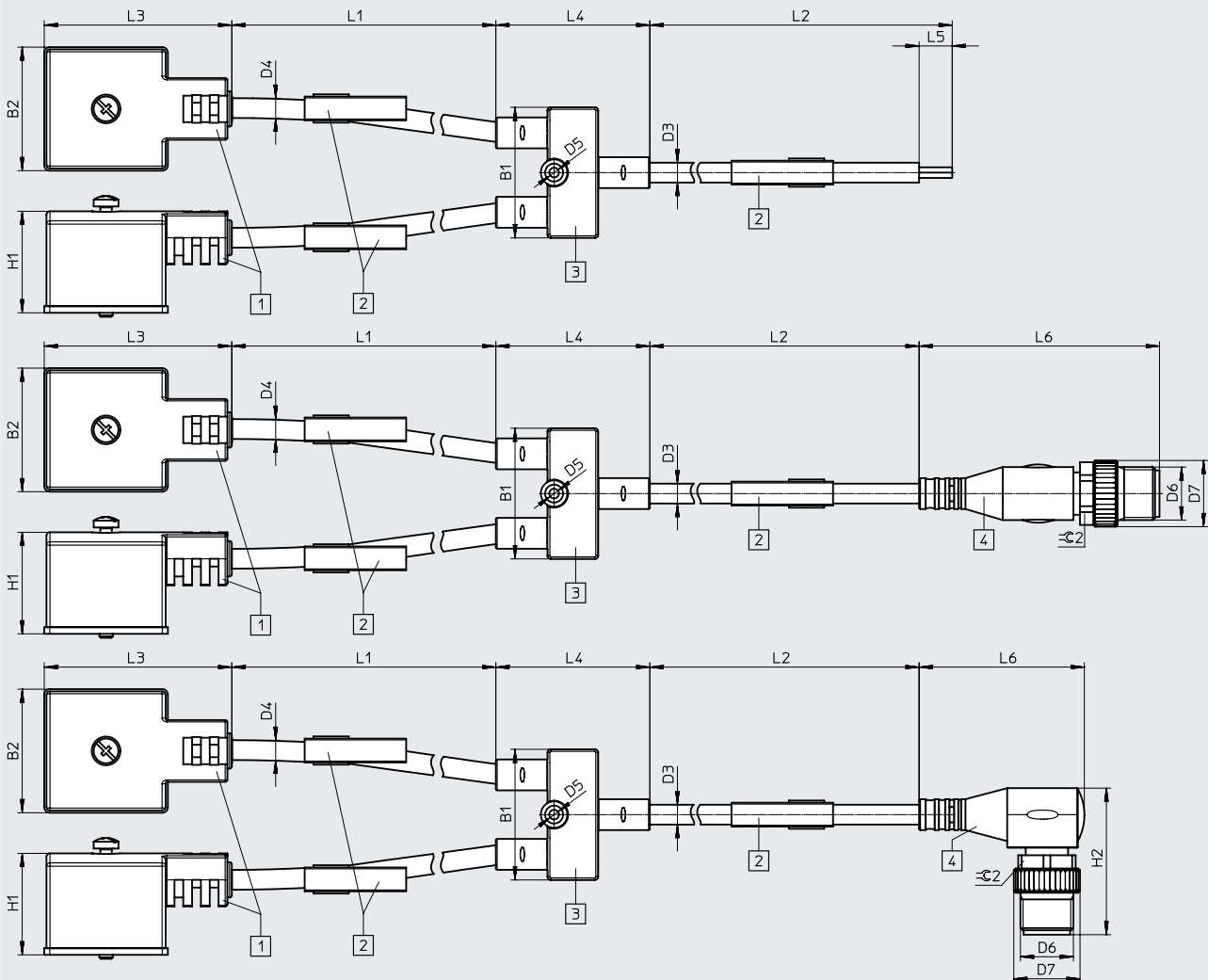
| Electrical connection, controller side | B1 | B2 | D4 ∅ | D5 ∅ | D6 | D7 ∅ | H1 | L1 | L3 | L7 | L8 | ±0.2 |
|--|------|----|---------|---------|-----|---------|------|---------------|----|------|------|-------|
| Plug M8x1 | 21 | 27 | 3.8 | 2.2 | M8 | 10 | 23.6 | 300 ... 30000 | 42 | 35 | 21.6 | 9 mm |
| Plug M12x1 | 29.6 | 27 | 3.8 | 2.2 | M12 | 15 | 23.6 | 300 ... 30000 | 42 | 42.7 | 29.5 | 13 mm |

Data sheet

Dimensions

Download CAD data → www.festo.com

Y-distributor with cable on both sides



[1] Socket, field device side

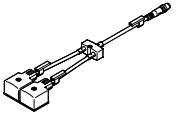
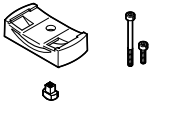
[2] Inscription label

[3] Distributor

[4] Plug, controller side

| Electrical connection, controller side | B1 | B2 | D3 ∅ | D4 ∅ | D5 ∅ | D6 | H1 | H2 | L1 | L2 | L3 | L4 | L5 | L6 | ±0.2 |
|--|------|----|---------|---------|---------|-----|------|------|--------------------|--------------------|----|------|----|------|-------|
| Open cable end | 29.6 | 27 | 3.8 | 3.8 | 2.2 | - | 23.6 | - | (300 ... 30000)-L2 | (300 ... 30000)-L1 | 42 | 34.9 | 50 | - | - |
| Plug M8x1 | 29.6 | 27 | 3.8 | 3.8 | 2.2 | M8 | 23.6 | - | (300 ... 30000)-L2 | (300 ... 30000)-L1 | 42 | 34.9 | - | 41.1 | 9 mm |
| | | | | | | | | 24 | | | | | - | | |
| Plug M12x1 | 29.6 | 27 | 3.8 | 3.8 | 2.2 | M12 | 23.6 | - | (300 ... 30000)-L2 | (300 ... 30000)-L1 | 42 | 34.9 | - | 54.5 | 13 mm |
| | | | | | | | | 33.2 | | | | | - | | |

Data sheet

| Ordering data | | | | | | |
|---|---------------------|--|---------------------|---------------|----------------|---|
| | Field device side | Controller side | | Weight [g] | Part no. | Type |
| | Cable length [m] | Electrical connection | Cable length [m] | | | |
| Y-distributor with cable on both sides | | | | | | |
|  | 0.3 | Plug, straight, M8x1 | 2.5 | 117 | 8035793 | NEDY-L2R1-V1-A1W4L-U-0.3L-M8G4-2.5R |
| | | | 5 | 166 | 8035794 | NEDY-L2R1-V1-A1W4L-U-0.3L-M8G4-5R |
| | 0.3 | Plug, straight, M12x1 | 2.5 | 123 | 8035791 | NEDY-L2R1-V1-A1W4L-U-0.3L-M12G4-2.5R |
| | | | 5 | 174 | 8035792 | NEDY-L2R1-V1-A1W4L-U-0.3L-M12G4-5R |
| Ordering data – Accessories | | | | | | |
|  | Mounting for T-slot | | | | Part no. | Type |
| | | • For Y-distributor with cable on field device side and plug M8x1 | | | 8032868 | NEAU-A-N8-1 |
| | | • For Y-distributor with cable on field device side and plug M12x1 | | | 8032869 | NEAU-A-N8-2 |
| • For Y-distributor with cable on both sides | | | | | | |

Ordering data – Modular product system

Ordering table

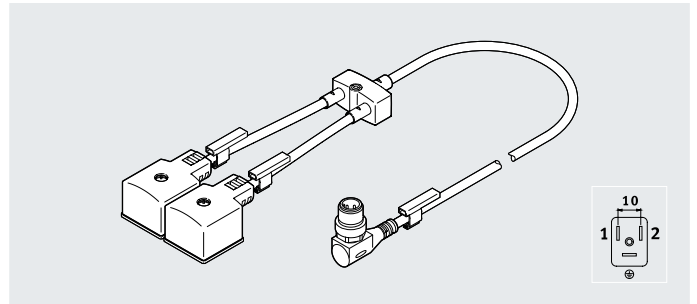
| | | Condi- tions | Code | Enter code |
|---|--|-----------------|--------------|---------------|
| Module no. | 8032867 | | | |
| Distributor | Sensor/actuator distributors | | NEDY | NEDY |
| Distributor type | Y type | | -L2R1 | -L2R1 |
| Wiring allocation | Standard variant (see circuit diagram, standard) | | -V1 | -V1 |
| Connection technology on the left, field device side | Socket type A, EN 175301-803 | | -A1 | -A1 |
| Cable outlet on the left | Angled | | W | W |
| Number of pins/wires on the left | 4-pin | | 4 | 4 |
| Display | Signal status LED (for valves only) | | L | L |
| Cable characteristic | Suitable for use with energy chains/robot applications | | -U | -U |
| Cable length on the left [m] | 0.3 ... 30 | [1] | -...L | |
| Cable designation | With inscription label holder | | | |
| | Without inscription label holder | | -N | |
| Connection technology on the right, controller side | Open end | | -LE | |
| | Plug M8x1, A-coded, EN 61076-2-104 | | -M8 | |
| | Plug M12x1, A-coded, EN 61076-2-101 | | -M12 | |
| Cable outlet on the right | None | [2] | | |
| | Straight | [3] | G | |
| | Angled | [3] | W | |
| Number of pins/wires on the right | 3-pin | [2] | 3 | |
| | 4-pin | [4] | 4 | |
| Cable length on the right [m] | None | | | |
| | 0.3 ... 30 | [5] | -...R | |

- 1) -...L The sum of the cable length on the left and cable length on the right must not exceed 30 m
- 2) 3 Only with connection technology on the right, LE
- 3) G, W Not in combination with connection technology on the right, controller side LE
- 4) 4 Only with connection technology on the right M8 or M12
- 5) -...R The sum of the cable length on the left and cable length on the right must not exceed 30 m
Mandatory specification in combination with cable outlet on the right, W
Mandatory specification in combination with connection technology on the right, controller side LE

Data sheet

Distributor NEDY-L2R1-V1-B1

- Dual distributor
- For connecting valves



General technical data

| | |
|-------------------|--|
| Design | Y-distributor |
| Distributor type | Y type |
| Type of mounting | Via accessories, via through-hole for M2 screw |
| Cable designation | Via inscription label holder (optional) |
| Based on standard | EN 175301-803, EN 61076-2-101, EN 61076-2-104 |

Electrical connection 2

| | |
|-----------------------|--------------------------------------|
| Function | Field device side |
| Connection type | 2x socket |
| Cable outlet | Angled |
| Design | Rectangular |
| Connection technology | Plug pattern type B to EN 175301-803 |
| Number of pins/wires | 3 |
| Assigned pins/wires | 2 |
| Display | Yellow LED, signal status indication |

Technical data – Electrical components

| Electrical connection 1 | Plug M8x1 | Plug M12x1 | Open end |
|-------------------------------------|---------------|---------------|---------------|
| Operating voltage range [V DC] | 20.4 ... 27.6 | 20.4 ... 27.6 | 20.4 ... 27.6 |
| Surge resistance [kV] | 0.8 | 0.8 | 0.8 |
| Acceptable current load at 40°C [A] | 3 | 4 | 4 |
| Pollution degree | 3 | 3 | 3 |

Technical data – Cable

| | |
|--|---|
| Cable diameter [mm] | 3.8 |
| Conductor nominal cross section [mm ²] | 0.25 |
| Cable characteristic | Suitable for use with energy chains/robot applications |
| Cable test conditions | Resistance to bending: to Festo standard, test conditions on request <ul style="list-style-type: none"> • Energy chain: 5 million cycles, bending radius: 28 mm • Torsional strength: > 300000 cycles, ±270°/0.1 m |
| Bending radius, flexible cable installation [mm] | 39 |

Data sheet

Technical data – Electrical connection 1

| | | | |
|-----------------------|-------------------|-------------------|----------|
| Function | Controller side | | |
| Connection type | Plug | | Open end |
| Cable outlet | Straight, angled | Straight, angled | – |
| Design | Round | Round | – |
| Connection technology | M8x1, A-coded | M12x1, A-coded | – |
| Number of pins/wires | 4 | 4 | 3 |
| Assigned pins/wires | 3 | 3 | 3 |
| Display | – | – | – |
| Based on standard | To EN 61076-2-104 | To EN 61076-2-101 | – |

Materials

| | |
|---------------------|--|
| Housing | PA, PC, TPE-U(PUR) |
| Housing colour | Black |
| Threaded sleeve | Nickel-plated brass |
| Seals | NBR |
| Pin contacts | Gold-plated copper alloy, silver-plated copper alloy |
| Cable sheath | TPE-U(PUR) |
| Cable sheath colour | Grey |
| Note on materials | Free of copper and PTFE RoHS-compliant Free of halogen and phosphoric acid ester |
| PWIS conformity | VDMA24364-B2-L |

Operating and environmental conditions

| | | |
|--|------|--|
| Ambient temperature | [°C] | –20 ... +80 |
| Note on ambient temperature | [°C] | –10 ... +40 with mounting via through-hole |
| Ambient temperature with flexible cable installation | [°C] | –20 ... +80 |
| Storage temperature | [°C] | –20 ... +80 |
| Degree of protection | | IP65/IP67 |
| CE marking (see declaration of conformity) ¹⁾ | | To EU RoHS Directive |
| Corrosion resistance class CRC ²⁾ | | 1 |

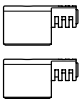
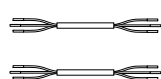
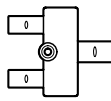
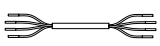
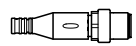
1) For information about the area of use, see the EC declaration of conformity at: www.festo.com/catalogue/medy → Support/Downloads.

If the devices are subject to usage restrictions in residential, commercial or light-industrial environments, further measures for the reduction of the emitted interference may be necessary.

2) Corrosion resistance class CRC 1 to Festo standard FN 940070

Low corrosion stress. Dry indoor application or transport and storage protection. Also applies to parts behind coverings, in the non-visible interior area, or parts that are covered in the application (e.g. drive trunnions).

Product weight

| | | | | |
|---|---|---|--|---|
|  |  |  |  |  |
| 2x socket [g] | 2x cable [g/m] | Distributor [g] | Cable [g/m] | Plug [g] |
| Plug pattern type B | 3-wire | With cable outlet | 3-wire | M8x1 |
| 40 | 41 | 10 | 19.5 | 4.5 |
| | | With plug M12x1 | | M12x1, straight |
| | | 7 | | 12 |
| | | With socket M8x1 | | M12x1, angled |
| | | 8 | | 12.5 |
| | | | | Open end |
| | | | | 0 |

The weight of the individual components must be added together to determine the overall weight:

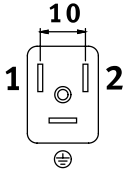
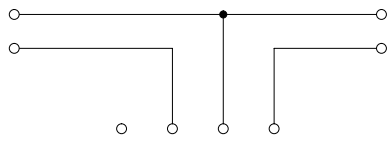
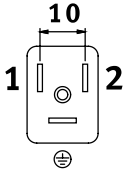
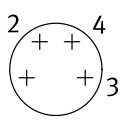
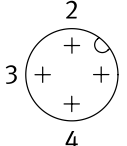
socket + length x cable + distributor + length x cable + plug

Example:

NEDY-L2R1-V1-B1W3L-U-3L-LE3-10R

40 g + 3x 41 g + 10 g + 10x 19.5 g + 0 g = 368 g

Data sheet

| Circuitry (socket/plug view) | | Pin | Wire colour ¹⁾ | Wiring allocation | Wire colour ¹⁾ | Pin | Connection no. 2 | | |
|---|---|---|--|-------------------|---------------------------|---|------------------|----|--|
|  | 1 | BN |  | BN | 1 |  | | | |
| | 2 | BU | | BU | 2 | | | | |
| | | | Wire colour ¹⁾ | - | BK | | BU | BN | |
| | | | Pin | 1 | 4 | | 3 | 2 | |
| | | Plug M8x1 | | | | | | | |
| | |  | | | | | | | |
| | | Plug M12x1 | | | | | | | |
| | |  | | | | | | | |

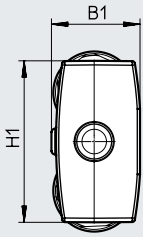
1) To IEC 757

Data sheet

Dimensions

Download CAD data → www.festo.com

Distributor body front view

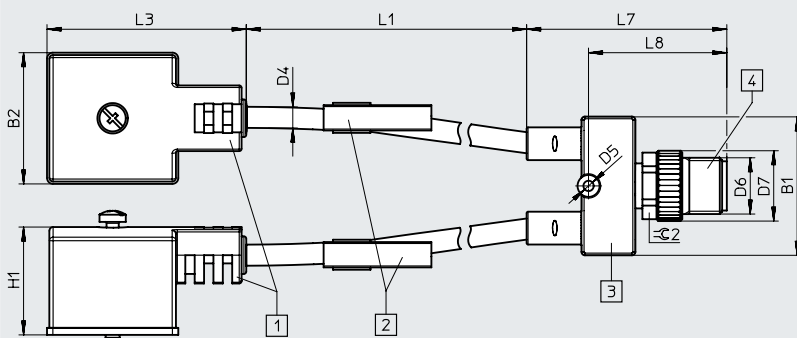


Distributor body front view

B1 H1

| | | | |
|---------|--|------|------|
| Size 1: | • Y-distributor with cable on field device side and plug M8x1 | 12 | 21 |
| Size 2: | • Y-distributor with cable on field device side and plug M12x1 • Y-distributor with cable on both sides | 16.2 | 29.6 |

Y-distributor with cable on field device side



[1] Socket, field device side

[2] Inscription label

[3] Distributor

[4] Plug, controller side

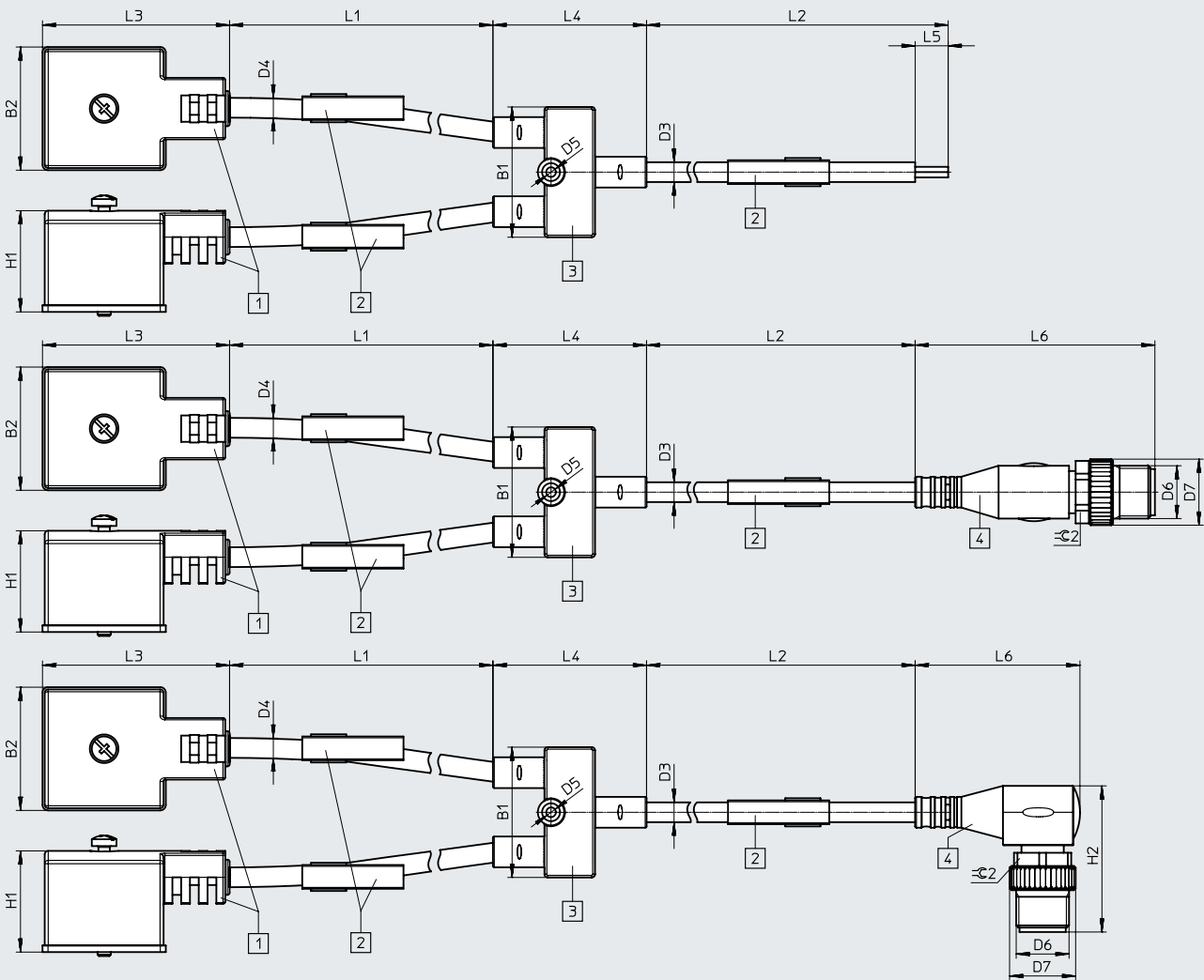
| Electrical connection, controller side | B1 | B2 | D4 ∅ | D5 ∅ | D6 | D7 ∅ | H1 | L1 | L3 | L7 | L8 | ±0.2 |
|--|------|----|---------|---------|-----|---------|------|---------------|----|------|------|-------|
| Plug M8x1 | 21 | 21 | 3.8 | 2.2 | M8 | 10 | 23.9 | 300 ... 30000 | 43 | 35 | 21.6 | 9 mm |
| Plug M12x1 | 29.6 | 21 | 3.8 | 2.2 | M12 | 15 | 23.9 | 300 ... 30000 | 43 | 42.7 | 29.5 | 13 mm |

Data sheet

Dimensions

Download CAD data → www.festo.com

Y-distributor with cable on both sides



[1] Socket, field device side [2] Inscription label [3] Distributor [4] Plug, controller side

| Electrical connection, controller side | B1 | B2 | D3 ∅ | D4 ∅ | D5 ∅ | D6 | H1 | H2 | L1 | L2 | L3 | L4 | L5 | L6 | ±0.2 |
|--|------|----|---------|---------|---------|-----|------|------|--------------------|--------------------|----|------|----|------|-------|
| Open cable end | 29.6 | 21 | 3.8 | 3.8 | 2.2 | - | 23.9 | - | (300 ... 30000)-L2 | (300 ... 30000)-L1 | 43 | 34.9 | 50 | - | - |
| Plug M8x1 | 29.6 | 21 | 3.8 | 3.8 | 2.2 | M8 | 23.9 | - | (300 ... 30000)-L2 | (300 ... 30000)-L1 | 43 | 34.9 | - | 41.1 | 9 mm |
| | | | | | | | | 24 | | | | | - | | |
| Plug M12x1 | 29.6 | 21 | 3.8 | 3.8 | 2.2 | M12 | 23.9 | - | (300 ... 30000)-L2 | (300 ... 30000)-L1 | 43 | 34.9 | - | 54.5 | 13 mm |
| | | | | | | | | 33.2 | | | | | - | | |

Ordering data – Accessories

| | | Part no. | Type |
|--|---------------------|--|-----------------------------------|
| | Mounting for T-slot | • For Y-distributor with cable on field device side and plug M8x1 | 8032868 NEAU-A-N8-1 |
| | | • For Y-distributor with cable on field device side and plug M12x1 | 8032869 NEAU-A-N8-2 |
| | | • For Y-distributor with cable on both sides | |

Ordering data – Modular product system

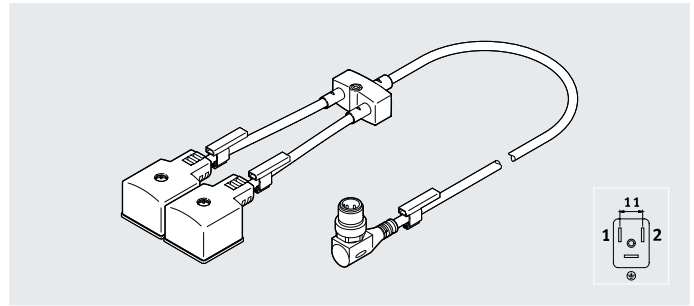
| Ordering table | | Condi- tions | Code | Enter code |
|---|--|-----------------|--------------|---------------|
| Module no. | 8032867 | | | |
| Distributor | Sensor/actuator distributors | | NEDY | NEDY |
| Distributor type | Y type | | -L2R1 | -L2R1 |
| Wiring allocation | Standard variant (see circuit diagram, standard) | | -V1 | -V1 |
| Connection technology on the left, field device side | Socket type B, EN 175301-803 | | -B1 | -B1 |
| Cable outlet on the left | Angled | | W | W |
| Number of pins/wires on the left | 3-pin | | 3 | 3 |
| Display | Signal status LED (for valves only) | | L | L |
| Cable characteristic | Suitable for use with energy chains/robot applications | | -U | -U |
| Cable length on the left [m] | 0.3 ... 30 | [1] | -...L | |
| Cable designation | With inscription label holder | | | |
| | Without inscription label holder | | -N | |
| Connection technology on the right, controller side | Open end | | -LE | |
| | Plug M8x1, A-coded, EN 61076-2-104 | | -M8 | |
| | Plug M12x1, A-coded, EN 61076-2-101 | | -M12 | |
| Cable outlet on the right | None | [2] | | |
| | Straight | [3] | G | |
| | Angled | [3] | W | |
| Number of pins/wires on the right | 3-pin | [2] | 3 | |
| | 4-pin | [4] | 4 | |
| Cable length on the right [m] | None | | | |
| | 0.3 ... 30 | [5] | -...R | |

- 1) -...L The sum of the cable length on the left and cable length on the right must not exceed 30 m
- 2) 3 Only with connection technology on the right, LE
- 3) G, W Not in combination with connection technology on the right, controller side LE
- 4) 4 Only with connection technology on the right M8 or M12
- 5) -...R The sum of the cable length on the left and cable length on the right must not exceed 30 m
Mandatory specification in combination with cable outlet on the right, W
Mandatory specification in combination with connection technology on the right, controller side LE

Data sheet

Distributor NEDY-L2R1-V1-B2

- Dual distributor
- For connecting valves



| General technical data | |
|-------------------------|---|
| Design | Y-distributor |
| Distributor type | Y type |
| Type of mounting | Via accessories, via through-hole for M2 screw |
| Cable designation | Via inscription label holder (optional) |
| Based on standard | EN 61076-2-101, EN 61076-2-104 |
| Electrical connection 2 | |
| Function | Field device side |
| Connection type | 2x socket |
| Cable outlet | Angled |
| Design | Rectangular |
| Connection technology | Plug pattern type B to industry standard, 11 mm |
| Number of pins/wires | 3 |
| Assigned pins/wires | 2 |
| Display | Yellow LED, signal status indication |

| Technical data – Electrical components | | | | |
|--|--------|---------------|---------------|---------------|
| Electrical connection 1 | | Plug M8x1 | Plug M12x1 | Open end |
| Operating voltage range | [V DC] | 20.4 ... 27.6 | 20.4 ... 27.6 | 20.4 ... 27.6 |
| Surge resistance | [kV] | 0.8 | 0.8 | 0.8 |
| Acceptable current load at 40°C | [A] | 3 | 4 | 4 |
| Pollution degree | | 3 | 3 | 3 |

| Technical data – Cable | |
|---|---|
| Cable diameter | [mm] 3.8 |
| Conductor nominal cross section | [mm ²] 0.25 |
| Cable characteristic | Suitable for use with energy chains/robot applications |
| Cable test conditions | Resistance to bending: to Festo standard, test conditions on request <ul style="list-style-type: none"> • Energy chain: 5 million cycles, bending radius: 28 mm • Torsional strength: > 300000 cycles, ±270°/0.1 m |
| Bending radius, flexible cable installation | [mm] 39 |

Y-distributor, socket type B, industry standard 11 mm

Data sheet

Technical data – Electrical connection 1

| | | | |
|-----------------------|-------------------|-------------------|----------|
| Function | Controller side | | |
| Connection type | Plug | | Open end |
| Cable outlet | Straight, angled | Straight, angled | – |
| Design | Round | Round | – |
| Connection technology | M8x1, A-coded | M12x1, A-coded | – |
| Number of pins/wires | 4 | 4 | 3 |
| Assigned pins/wires | 3 | 3 | 3 |
| Display | – | – | – |
| Based on standard | To EN 61076-2-104 | To EN 61076-2-101 | – |

Materials

| | |
|---------------------|--|
| Housing | PA, PC, TPE-U(PUR) |
| Housing colour | Black |
| Union nut | Nickel-plated brass |
| Threaded sleeve | Nickel-plated brass |
| Seals | NBR |
| Pin contacts | Gold-plated copper alloy, silver-plated copper alloy |
| Cable sheath | TPE-U(PUR) |
| Cable sheath colour | Grey |
| Note on materials | Free of copper and PTFE RoHS-compliant Free of halogen and phosphoric acid ester |
| PWIS conformity | VDMA24364-B2-L |

Operating and environmental conditions

| | | |
|--|------|--|
| Ambient temperature | [°C] | –20 ... +80 |
| Note on ambient temperature | [°C] | –10 ... +40 with mounting via through-hole |
| Ambient temperature with flexible cable installation | [°C] | –20 ... +80 |
| Storage temperature | [°C] | –20 ... +80 |
| Degree of protection | | IP65/IP67 |
| CE marking (see declaration of conformity) ¹⁾ | | To EU RoHS Directive |
| Corrosion resistance class CRC ²⁾ | | 1 |

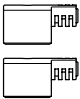
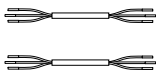
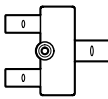


1) For information about the area of use, see the EC declaration of conformity at: www.festo.com/catalogue/medy → Support/Downloads.

If the devices are subject to usage restrictions in residential, commercial or light-industrial environments, further measures for the reduction of the emitted interference may be necessary.

2) Corrosion resistance class CRC 1 to Festo standard FN 940070

Low corrosion stress. Dry indoor application or transport and storage protection. Also applies to parts behind coverings, in the non-visible interior area, or parts that are covered in the application (e.g. drive trunnions).

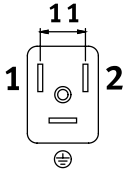
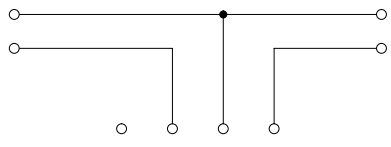
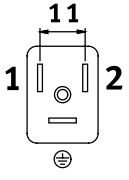
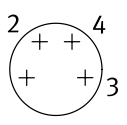
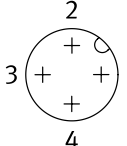
Product weight

| | | | | |
|---|---|---|--|---|
|  |  |  |  |  |
| 2x socket [g] | 2x cable [g/m] | Distributor [g] | Cable [g/m] | Plug [g] |
| Plug pattern type B | 3-wire | With cable outlet | 3-wire | M8x1 |
| 40 | 41 | 10 | 19.5 | 4.5 |
| | | With plug M12x1 | | M12x1, straight |
| | | 7 | | 12 |
| | | With socket M8x1 | | M12x1, angled |
| | | 8 | | 12.5 |
| | | | | Open end |
| | | | | 0 |

The weight of the individual components must be added together to determine the overall weight:
socket + length x cable + distributor + length x cable + plug

Example:
NEDY-L2R1-V1-B2W3L-U-3L-LE3-10R
40 g + 3x 41 g + 10 g + 10x 19.5 g + 0 g = 368 g

Data sheet

| Circuitry (socket/plug view) | | Pin | Wire colour ¹⁾ | Wiring allocation | Wire colour ¹⁾ | Pin | Connection no. 2 |
|---|---|---|--|-------------------|---------------------------|---|------------------|
|  | 1 | BN |  | BN | 1 |  | |
| | 2 | BU | | BU | 2 | | |
| | | Wire colour ¹⁾ | - | BK | BU | BN | |
| | | Pin | 1 | 4 | 3 | 2 | |
| | | Plug M8x1 | | | | | |
| | |  | | | | | |
| | | Plug M12x1 | | | | | |
| | |  | | | | | |

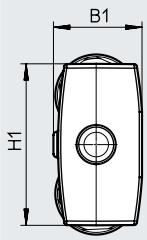
1) To IEC 757

Data sheet

Dimensions

Download CAD data → www.festo.com

Distributor body front view

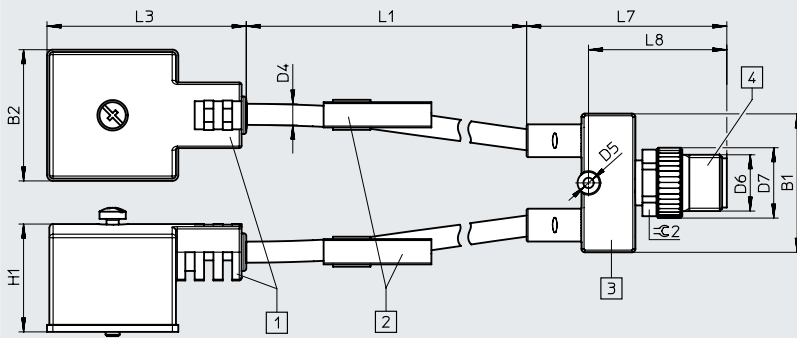


Distributor body front view

B1 H1

| | | | |
|---------|--|------|------|
| Size 1: | • Y-distributor with cable on field device side and plug M8x1 | 12 | 21 |
| Size 2: | • Y-distributor with cable on field device side and plug M12x1 • Y-distributor with cable on both sides | 16.2 | 29.6 |

Y-distributor with cable on field device side



- [1] Socket, field device side [2] Inscription label [3] Distributor [4] Plug, controller side

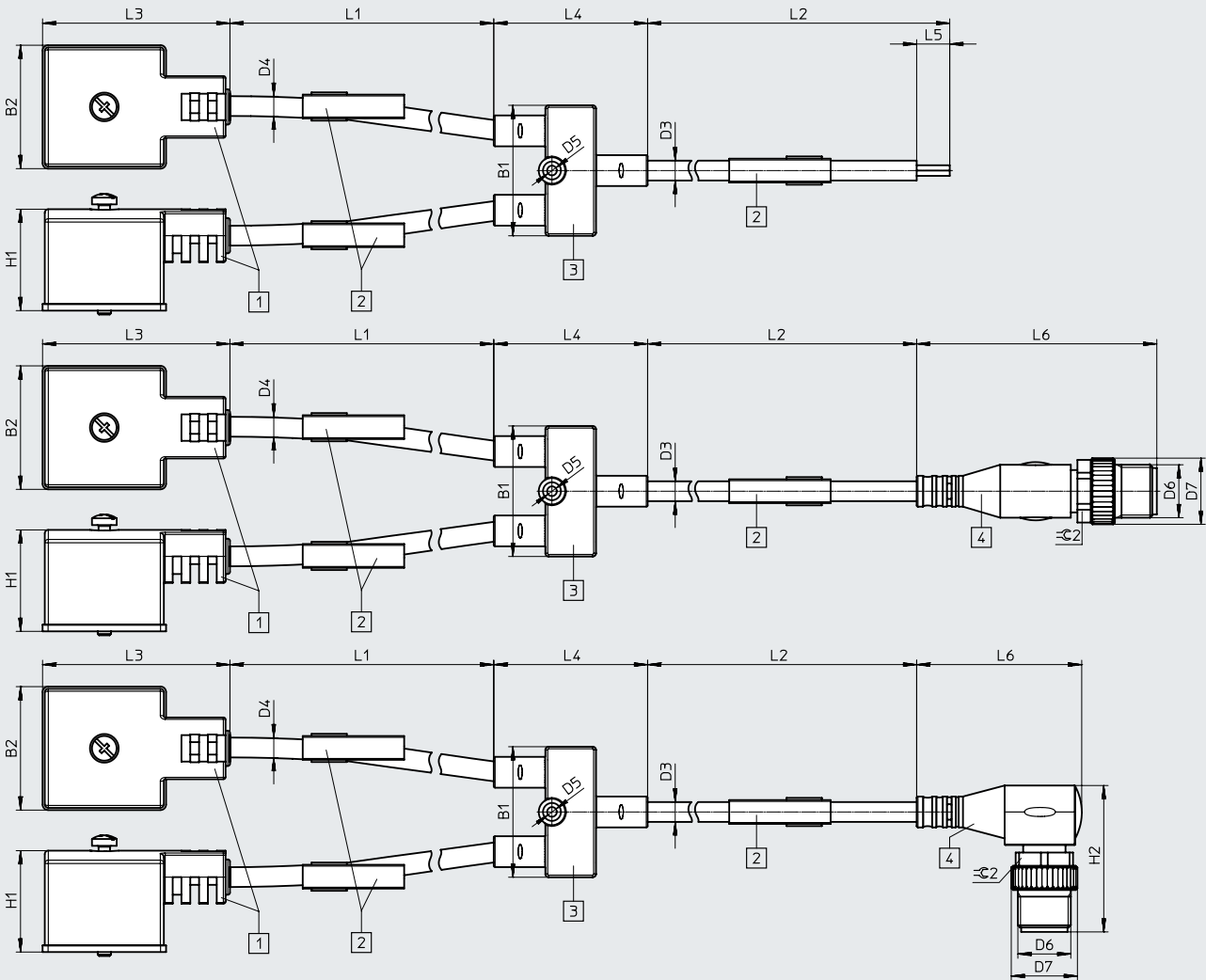
| Electrical connection, controller side | B1 | B2 | D4 ∅ | D5 ∅ | D6 | D7 ∅ | H1 | L1 | L3 | L7 | L8 | ⊕ 2 |
|--|------|----|---------|---------|-----|---------|------|---------------|----|------|------|-------|
| Plug M8x1 | 21 | 21 | 3.8 | 2.2 | M8 | 10 | 23.9 | 300 ... 30000 | 43 | 35 | 21.6 | 9 mm |
| Plug M12x1 | 29.6 | 21 | 3.8 | 2.2 | M12 | 15 | 23.9 | 300 ... 30000 | 43 | 42.7 | 29.5 | 13 mm |

Data sheet

Dimensions

Download CAD data → www.festo.com

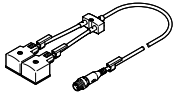
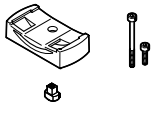
Y-distributor with cable on both sides



[1] Socket, field device side [2] Inscription label [3] Distributor [4] Plug, controller side

| Electrical connection, controller side | B1 | B2 | D3 ∅ | D4 ∅ | D5 ∅ | D6 | H1 | H2 | L1 | L2 | L3 | L4 | L5 | L6 | ⊕ 2 |
|--|------|----|---------|---------|---------|-----|------|------|--------------------|--------------------|----|------|----|------|-------|
| Open cable end | 29.6 | 21 | 3.8 | 3.8 | 2.2 | - | 23.9 | - | (300 ... 30000)-L2 | (300 ... 30000)-L1 | 43 | 34.9 | 50 | - | - |
| Plug M8x1 | 29.6 | 21 | 3.8 | 3.8 | 2.2 | M8 | 23.9 | - | (300 ... 30000)-L2 | (300 ... 30000)-L1 | 43 | 34.9 | - | 41.1 | 9 mm |
| | | | | | | | | 24 | | | | | - | | |
| Plug M12x1 | 29.6 | 21 | 3.8 | 3.8 | 2.2 | M12 | 23.9 | - | (300 ... 30000)-L2 | (300 ... 30000)-L1 | 43 | 34.9 | - | 54.5 | 13 mm |
| | | | | | | | | 33.2 | | | | | - | | |

Data sheet

| Ordering data | | | | | | |
|--|---------------------|--|---------------------|---------------|----------------|--|
| | Field device side | Controller side | | Weight [g] | Part no. | Type |
| | Cable length [m] | Electrical connection | Cable length [m] | | | |
| Y-distributor with cable on both sides | | | | | | |
|  | 0.3 | Plug, straight, M8x1 | 2.5 | 116 | 8035781 | NEDY-L2R1-V1-B2W3L-U-0.3L-M8G4-2.5R |
| | | | 5 | 165 | 8035782 | NEDY-L2R1-V1-B2W3L-U-0.3L-M8G4-5R |
| | | Plug, straight, M12x1 | 2.5 | 124 | 8035779 | NEDY-L2R1-V1-B2W3L-U-0.3L-M8G4-2.5R |
| | | | 5 | 173 | 8035780 | NEDY-L2R1-V1-B2W3L-U-0.3L-M8G4-5R |
| Ordering data – Accessories | | | | | | |
|  | Mounting for T-slot | • For Y-distributor with cable on field device side and plug M8x1 | | | 8032868 | NEAU-A-N8-1 |
| | | • For Y-distributor with cable on field device side and plug M12x1 | | | 8032869 | NEAU-A-N8-2 |
| | | • For Y-distributor with cable on both sides | | | | |

Ordering data – Modular product system

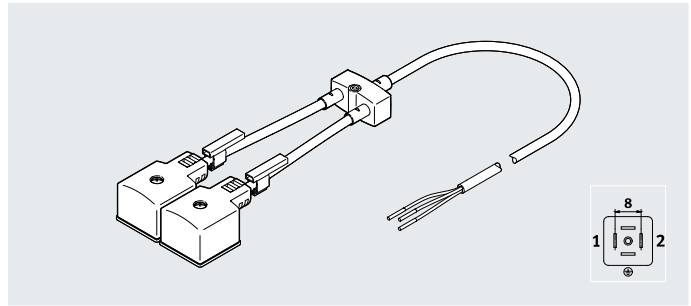
| Ordering table | | Condi- tions | Code | Enter code |
|---|--|-----------------|--------------|---------------|
| Module no. | 8032867 | | | |
| Distributor | Sensor/actuator distributors | | NEDY | NEDY |
| Distributor type | Y type | | -L2R1 | -L2R1 |
| Wiring allocation | Standard variant (see circuit diagram, standard) | | -V1 | -V1 |
| Connection technology on the left, field device side | Socket type B, industry standard, 11 mm | | -B2 | -B2 |
| Cable outlet on the left | Angled | | W | W |
| Number of pins/wires on the left | 3-pin | | 3 | 3 |
| Display | Signal status LED (for valves only) | | L | L |
| Cable characteristic | Suitable for use with energy chains/robot applications | | -U | -U |
| Cable length on the left [m] | 0.3 ... 30 | [1] | -...L | |
| Cable designation | With inscription label holder | | | |
| | Without inscription label holder | | -N | |
| Connection technology on the right, controller side | Open end | | -LE | |
| | Plug M8x1, A-coded, EN 61076-2-104 | | -M8 | |
| | Plug M12x1, A-coded, EN 61076-2-101 | | -M12 | |
| Cable outlet on the right | None | [2] | | |
| | Straight | [3] | G | |
| | Angled | [3] | W | |
| Number of pins/wires on the right | 3-pin | [2] | 3 | |
| | 4-pin | [4] | 4 | |
| Cable length on the right [m] | None | | | |
| | 0.3 ... 30 | [5] | -...R | |

- 1) -...L The sum of the cable length on the left and cable length on the right must not exceed 30 m
- 2) 3 Only with connection technology on the right, LE
- 3) G, W Not in combination with connection technology on the right, controller side LE
- 4) 4 Only with connection technology on the right M8 or M12
- 5) -...R The sum of the cable length on the left and cable length on the right must not exceed 30 m
Mandatory specification in combination with cable outlet on the right, W
Mandatory specification in combination with connection technology on the right, controller side LE

Data sheet

Distributor NEDY-L2R1-V1-C1

- Dual distributor
- For connecting valves



General technical data

| | |
|-------------------|--|
| Design | Y-distributor |
| Distributor type | Y type |
| Type of mounting | Via accessories, via through-hole for M2 screw |
| Cable designation | Via inscription label holder (optional) |
| Based on standard | EN 175301-803, EN 61076-2-101, EN 61076-2-104 |

Electrical connection 2

| | |
|-----------------------|--------------------------------------|
| Function | Field device side |
| Connection type | 2x socket |
| Cable outlet | Angled |
| Design | Rectangular |
| Connection technology | Plug pattern type C to EN 175301 803 |
| Number of pins/wires | 4 |
| Assigned pins/wires | 2 |
| Display | Yellow LED, signal status indication |

Technical data – Electrical components

| Electrical connection 1 | Plug M8x1 | Plug M12x1 | Open end |
|-------------------------------------|---------------|---------------|---------------|
| Operating voltage range [V DC] | 20.4 ... 27.6 | 20.4 ... 27.6 | 20.4 ... 27.6 |
| Surge resistance [kV] | 0.8 | 0.8 | 0.8 |
| Acceptable current load at 40°C [A] | 3 | 4 | 4 |
| Pollution degree | 3 | 3 | 3 |

Technical data – Cable

| | |
|--|---|
| Cable diameter [mm] | 3.8 |
| Conductor nominal cross section [mm ²] | 0.25 |
| Cable characteristic | Suitable for use with energy chains/robot applications |
| Cable test conditions | Resistance to bending: to Festo standard, test conditions on request <ul style="list-style-type: none"> • Energy chain: 5 million cycles, bending radius: 28 mm • Torsional strength: > 300000 cycles, ±270°/0.1 m |
| Bending radius, flexible cable installation [mm] | 39 |

Data sheet

| Technical data – Electrical connection 1 | | | |
|--|-------------------|-------------------|----------|
| Function | Controller side | | |
| Connection type | Plug | | Open end |
| Cable outlet | Straight, angled | Straight, angled | – |
| Design | Round | Round | – |
| Connection technology | M8x1, A-coded | M12x1, A-coded | – |
| Number of pins/wires | 4 | 4 | 3 |
| Assigned pins/wires | 3 | 3 | 3 |
| Display | – | – | – |
| Based on standard | To EN 61076-2-104 | To EN 61076-2-101 | – |

| Materials | |
|---------------------|--|
| Housing | PA, PC, TPE-U(PUR) |
| Housing colour | Black |
| Threaded sleeve | Nickel-plated brass |
| Seals | NBR |
| Pin contacts | Gold-plated copper alloy, silver-plated copper alloy |
| Cable sheath | TPE-U(PUR) |
| Cable sheath colour | Grey |
| Note on materials | Free of copper and PTFE RoHS-compliant Free of halogen and phosphoric acid ester |
| PWIS conformity | VDMA24364-B2-L |

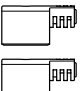
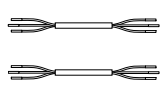
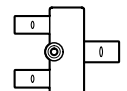
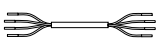
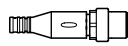
| Operating and environmental conditions | | |
|--|------|--|
| Ambient temperature | [°C] | –20 ... +80 |
| Note on ambient temperature | [°C] | –10 ... +40 with mounting via through-hole |
| Ambient temperature with flexible cable installation | [°C] | –20 ... +80 |
| Storage temperature | [°C] | –20 ... +80 |
| Degree of protection | | IP65/IP67 |
| CE marking (see declaration of conformity) ¹⁾ | | To EU RoHS Directive |
| Corrosion resistance class CRC ²⁾ | | 1 |

1) For information about the area of use, see the EC declaration of conformity at: www.festo.com/catalogue/medy → Support/Downloads.

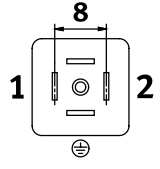
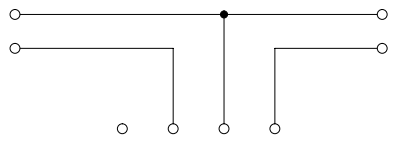
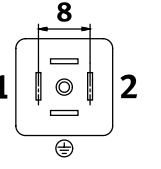
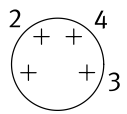
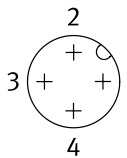
If the devices are subject to usage restrictions in residential, commercial or light-industrial environments, further measures for the reduction of the emitted interference may be necessary.

2) Corrosion resistance class CRC 1 to Festo standard FN 940070

Low corrosion stress. Dry indoor application or transport and storage protection. Also applies to parts behind coverings, in the non-visible interior area, or parts that are covered in the application (e.g. drive trunnions).

| Product weight | | | | | | | | | |
|---|----|---|----|---|----|---|------|---|------|
|  | |  | |  | |  | |  | |
| 2x socket [g] | | 2x cable [g/m] | | Distributor [g] | | Cable [g/m] | | Plug [g] | |
| Plug pattern type C | 20 | 3-wire | 41 | With cable outlet | 10 | 3-wire | 19.5 | M8x1 | 4.5 |
| | | | | With plug M12x1 | 17 | | | M12x1, straight | 12 |
| | | | | With plug M8x1 | 7 | | | M12x1, angled | 12.5 |
| | | | | With socket M8x1 | 8 | | | Open end | 0 |
| <p>The weight of the individual components must be added together to determine the overall weight: socket + length x cable + distributor + length x cable + plug</p> <p>Example: NEDY-L2R1-V1-C1W4L-U-3L-LE3-10R 20 g + 3x 41 g + 10 g + 10x 19.5 g + 0 g = 348 g</p> | | | | | | | | | |

Data sheet

| Circuitry (socket/plug view) | | Wiring allocation | | | | Wire colour ¹⁾ | | Pin | | Connection no. 2 | |
|--|---|---|---|---|----|---------------------------|----|-----|---|------------------|--|
|  | 1 | BN |  | | | | BN | 1 |  | | |
| | 2 | BU | | | | | BN | 2 | | | |
| | | | Wire colour ¹⁾ | - | BK | BU | BN | | | | |
| | | | Pin | 1 | 4 | 3 | 2 | | | | |
| | | Plug M8x1 | | | | | | | | | |
| | |  | | | | | | | | | |
| | | Plug M12x1 | | | | | | | | | |
| | |  | | | | | | | | | |

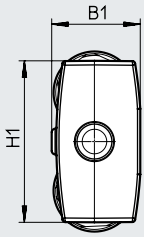
1) To IEC 757

Data sheet

Dimensions

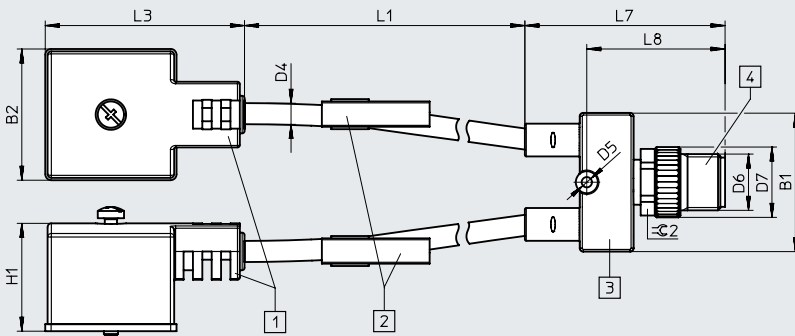
Download CAD data → www.festo.com

Distributor body front view



| Distributor body front view | | B1 | H1 |
|-----------------------------|--|------|------|
| Size 1: | • Y-distributor with cable on field device side and plug M8x1 | 12 | 21 |
| Size 2: | • Y-distributor with cable on field device side and plug M12x1 • Y-distributor with cable on both sides | 16.2 | 29.6 |

Y-distributor with cable on field device side



- [1] Socket, field device side [2] Inscription label [3] Distributor [4] Plug, controller side

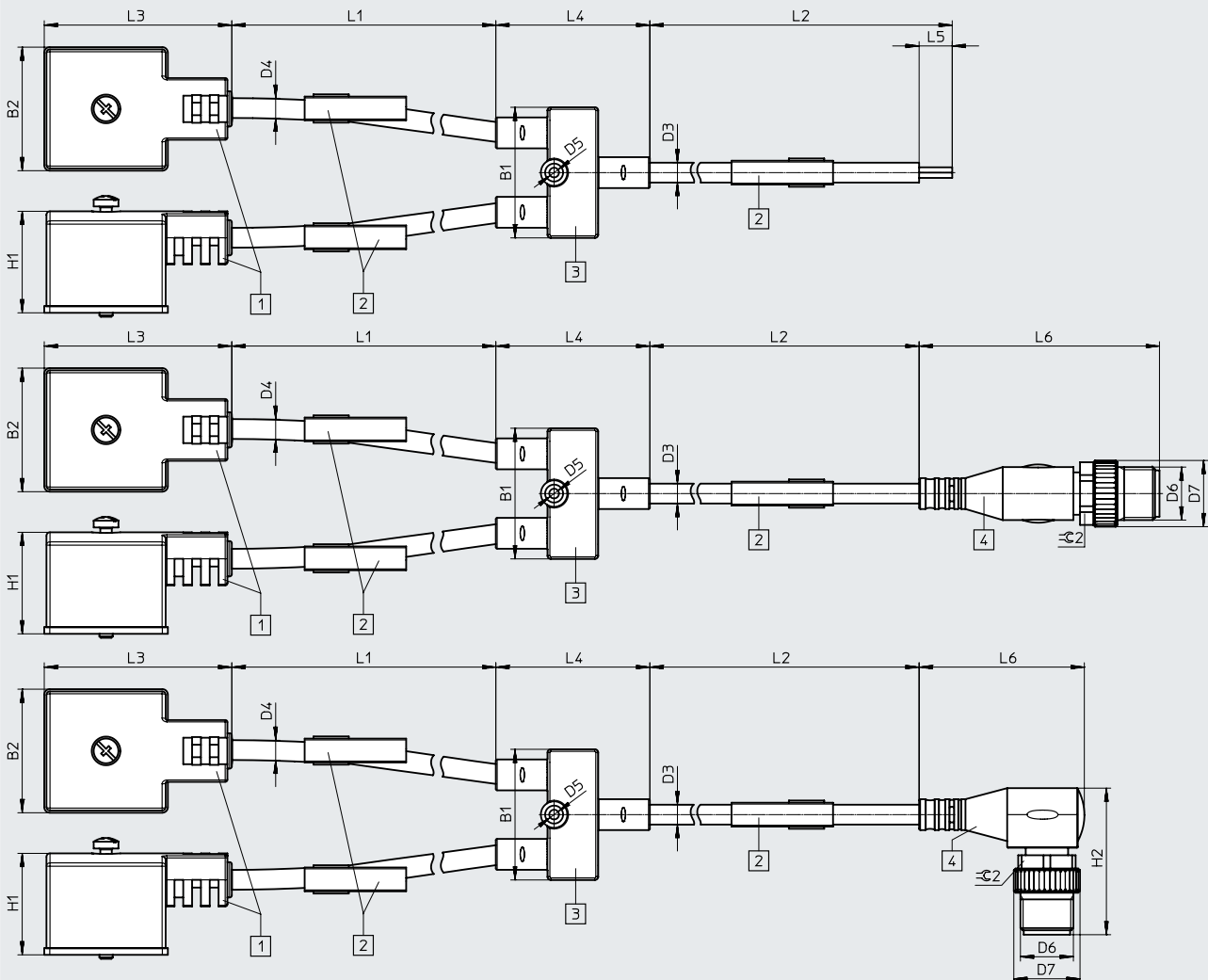
| Electrical connection, controller side | B1 | B2 | D4 ∅ | D5 ∅ | D6 | D7 ∅ | H1 | L1 | L3 | L7 | L8 | ±0.2 |
|--|------|----|---------|---------|-----|---------|------|---------------|------|------|------|-------|
| Plug M8x1 | 21 | 16 | 3.8 | 2.2 | M8 | 10 | 21.3 | 300 ... 30000 | 30.5 | 35 | 21.6 | 9 mm |
| Plug M12x1 | 29.6 | 16 | 3.8 | 2.2 | M12 | 15 | 21.3 | 300 ... 30000 | 30.5 | 42.7 | 29.5 | 13 mm |

Data sheet

Dimensions

Download CAD data → www.festo.com

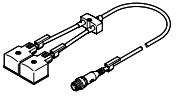
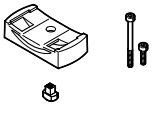
Y-distributor with cable on both sides



[1] Socket, field device side [2] Inscription label [3] Distributor [4] Plug, controller side

| Electrical connection, controller side | B1 | B2 | D3 ∅ | D4 ∅ | D5 ∅ | D6 | H1 | H2 | L1 | L2 | L3 | L4 | L5 | L6 | ⊕ 2 |
|--|------|----|---------|---------|---------|-----|------|------|--------------------|--------------------|------|------|----|------|-------|
| Open cable end | 29.6 | 16 | 3.8 | 3.8 | 2.2 | - | 21.3 | - | (300 ... 30000)-L2 | (300 ... 30000)-L1 | 30.5 | 34.9 | 50 | - | - |
| Plug M8x1 | 29.6 | 16 | 3.8 | 3.8 | 2.2 | M8 | 21.3 | - | (300 ... 30000)-L2 | (300 ... 30000)-L1 | 30.5 | 34.9 | - | 41.1 | 9 mm |
| | | | | | | | | 24 | | | | | - | | |
| Plug M12x1 | 29.6 | 16 | 3.8 | 3.8 | 2.2 | M12 | 21.3 | - | (300 ... 30000)-L2 | (300 ... 30000)-L1 | 30.5 | 34.9 | - | 54.5 | 13 mm |
| | | | | | | | | 33.2 | | | | | - | | |

Data sheet

| Ordering data | | | | | | | |
|---|---------------------|--|---------------------|-----|----------------|--|------|
| | Field device side | | Controller side | | Weight [g] | Part no. | Type |
| | Cable length [m] | Electrical connection | Cable length [m] | | | | |
| Y-distributor with cable on both sides | | | | | | | |
|  | 0.3 | Plug, straight, M8x1 | 2.5 | 96 | 8035785 | NEDY-L2R1-V1-C1W4L-U-0.3L-M8G4-2.5R | |
| | | | 5 | 94 | 8035786 | NEDY-L2R1-V1-C1W4L-U-0.3L-M8G4-5R | |
| | | Plug, straight, M12x1 | 2.5 | 104 | 8035783 | NEDY-L2R1-V1-C1W4L-U-0.3L-M8G4-2.5R | |
| | | | 5 | 153 | 8035784 | NEDY-L2R1-V1-C1W4L-U-0.3L-M8G4-5R | |
| Ordering data – Accessories | | | | | | | |
|  | Mounting for T-slot | • For Y-distributor with cable on field device side and plug M8x1 | | | 8032868 | NEAU-A-N8-1 | |
| | | • For Y-distributor with cable on field device side and plug M12x1 | | | 8032869 | NEAU-A-N8-2 | |
| | | • For Y-distributor with cable on both sides | | | | | |

Ordering data – Modular product system

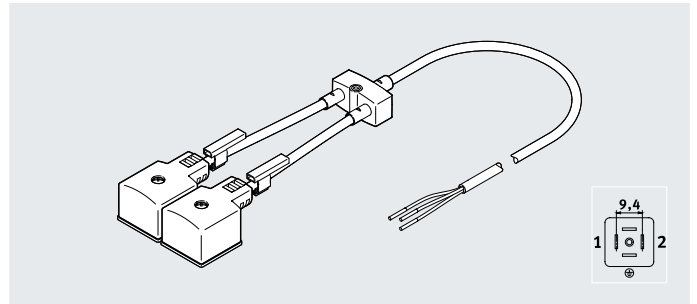
| Ordering table | | Condi- tions | Code | Enter code |
|--|--|-----------------|--------------|---------------|
| Module no. | 8032867 | | | |
| Distributor | Sensor/actuator distributors | | NEDY | NEDY |
| Distributor type | Y type | | -L2R1 | -L2R1 |
| Wiring allocation | Standard variant (see circuit diagram, standard) | | -V1 | -V1 |
| Connection technology on the left, field device side | Socket, type C, EN 175301-803 | | -C1 | -C1 |
| Cable outlet on the left | Angled | | W | W |
| Number of pins/wires on the left | 4-pin | | 4 | 4 |
| Display | Signal status LED (for valves only) | | L | L |
| Cable characteristic | Suitable for use with energy chains/robot applications | | -U | -U |
| Cable length on the left [m] | 0.3 ... 30 | [1] | -...L | |
| Cable designation | With inscription label holder | | | |
| | Without inscription label holder | | -N | |
| Connection technology on the right, controller side | Open end | | -LE | |
| | Plug M8x1, A-coded, EN 61076-2-104 | | -M8 | |
| | Plug M12x1, A-coded, EN 61076-2-101 | | -M12 | |
| Cable outlet on the right | None | [2] | | |
| | Straight | [3] | G | |
| | Angled | [3] | W | |
| Number of pins/wires on the right | 3-pin | [2] | 3 | |
| | 4-pin | [4] | 4 | |
| Cable length on the right [m] | None | | | |
| | 0.3 ... 30 | [5] | -...R | |

- 1) -...L The sum of the cable length on the left and cable length on the right must not exceed 30 m
- 2) 3 Only with connection technology on the right, LE
- 3) G, W Not in combination with connection technology on the right, controller side LE
- 4) 4 Only with connection technology on the right M8 or M12
- 5) -...R The sum of the cable length on the left and cable length on the right must not exceed 30 m
Mandatory specification in combination with cable outlet on the right, W
Mandatory specification in combination with connection technology on the right, controller side LE

Data sheet

Distributor NEDY-L2R1-V1-E1

- Dual distributor
- For connecting valves



| General technical data | |
|-------------------------|--|
| Design | Y-distributor |
| Distributor type | Y type |
| Type of mounting | Via accessories, via through-hole for M2 screw |
| Cable designation | Via inscription label holder (optional) |
| Based on standard | EN 61076-2-101, EN 61076-2-104 |
| Electrical connection 2 | |
| Function | Field device side |
| Connection type | 2x socket |
| Cable outlet | Angled |
| Design | Rectangular |
| Connection technology | Plug pattern type C to industry standard, 9.4 mm |
| Number of pins/wires | 4 |
| Assigned pins/wires | 2 |
| Display | Yellow LED, signal status indication |

| Technical data – Electrical components | | | | |
|--|--------|---------------|---------------|---------------|
| Electrical connection 1 | | Plug M8x1 | Plug M12x1 | Open end |
| Operating voltage range | [V DC] | 20.4 ... 27.6 | 20.4 ... 27.6 | 20.4 ... 27.6 |
| Surge resistance | [kV] | 0.8 | 0.8 | 0.8 |
| Acceptable current load at 40°C | [A] | 3 | 4 | 4 |
| Pollution degree | | 3 | 3 | 3 |

| Technical data – Cable | |
|---|---|
| Cable diameter | [mm] 3.8 |
| Conductor nominal cross section | [mm ²] 0.25 |
| Cable characteristic | Suitable for use with energy chains/robot applications |
| Cable test conditions | Resistance to bending: to Festo standard, test conditions on request <ul style="list-style-type: none"> • Energy chain: 5 million cycles, bending radius: 28 mm • Torsional strength: > 300000 cycles, ±270°/0.1 m |
| Bending radius, flexible cable installation | [mm] 39 |

Data sheet

Technical data – Electrical connection 1

| | | | |
|-----------------------|-------------------|-------------------|----------|
| Function | Controller side | | |
| Connection type | Plug | | Open end |
| Cable outlet | Straight, angled | Straight, angled | – |
| Design | Round | Round | – |
| Connection technology | M8x1, A-coded | M12x1, A-coded | – |
| Number of pins/wires | 4 | 4 | 3 |
| Assigned pins/wires | 3 | 3 | 3 |
| Display | – | – | – |
| Based on standard | To EN 61076-2-104 | To EN 61076-2-101 | – |

Materials

| | |
|---------------------|--|
| Housing | PA, PC, TPE-U(PUR) |
| Housing colour | Black |
| Threaded sleeve | Nickel-plated brass |
| Seals | NBR |
| Pin contacts | Gold-plated copper alloy, silver-plated copper alloy |
| Cable sheath | TPE-U(PUR) |
| Cable sheath colour | Grey |
| Note on materials | Free of copper and PTFE RoHS-compliant Free of halogen and phosphoric acid ester |
| PWIS conformity | VDMA24364-B2-L |

Operating and environmental conditions

| | | |
|--|------|--|
| Ambient temperature | [°C] | –20 ... +80 |
| Note on ambient temperature | [°C] | –10 ... +40 with mounting via through-hole |
| Ambient temperature with flexible cable installation | [°C] | –20 ... +80 |
| Storage temperature | [°C] | –20 ... +80 |
| Degree of protection | | IP65/IP67 |
| CE marking (see declaration of conformity) ¹⁾ | | To EU RoHS Directive |
| Corrosion resistance class CRC ²⁾ | | 1 |

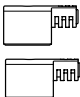
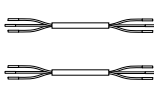
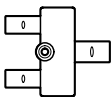
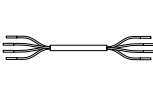
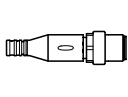
1) For information about the area of use, see the EC declaration of conformity at: www.festo.com/catalogue/medy → Support/Downloads.

If the devices are subject to usage restrictions in residential, commercial or light-industrial environments, further measures for the reduction of the emitted interference may be necessary.

2) Corrosion resistance class CRC 1 to Festo standard FN 940070

Low corrosion stress. Dry indoor application or transport and storage protection. Also applies to parts behind coverings, in the non-visible interior area, or parts that are covered in the application (e.g. drive trunnions).

Product weight

| | | | | | | | | | |
|---|----|---|----|---|----|--|------|---|------|
|  | |  | |  | |  | |  | |
| 2x socket [g] | | 2x cable [g/m] | | Distributor [g] | | Cable [g/m] | | Plug [g] | |
| Plug pattern type C | 20 | 3-wire | 41 | With cable outlet | 10 | 3-wire | 19.5 | M8x1 | 4.5 |
| | | | | With plug M12x1 | 17 | | | M12x1, straight | 12 |
| | | | | With plug M8x1 | 7 | | | M12x1, angled | 12.5 |
| | | | | With socket M8x1 | 8 | | | Open end | 0 |

The weight of the individual components must be added together to determine the overall weight:

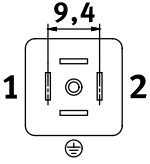
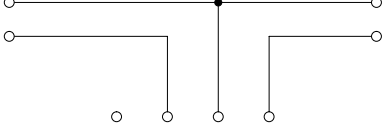
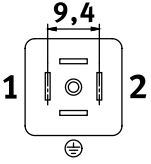
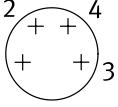
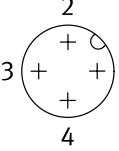
socket + length x cable + distributor + length x cable + plug

Example:

NEDY-L2R1-V1-E1W4L-U-3L-LE3-10R

20 g + 3x 41 g + 10 g + 10x 19.5 g + 0 g = 348 g

Data sheet

| Circuitry (socket/plug view) | | Pin | Wire colour ¹⁾ | Wiring allocation | Wire colour ¹⁾ | Pin | Connection no. 2 | | | | | | | | | | | | |
|---|---------------------------|-----|---|---|---------------------------|-----|---|----|----|----|--|-----|---|---|---|---|--|--|--|
|  | Connection no. 4 | 1 | BN |  | BN | 1 |  | | | | | | | | | | | | |
| | | 2 | BU | | BU | 2 | | | | | | | | | | | | | |
| | | | | <table border="1"> <thead> <tr> <th>Wire colour¹⁾</th> <th>-</th> <th>BK</th> <th>BU</th> <th>BN</th> <th></th> </tr> </thead> <tbody> <tr> <td>Pin</td> <td>1</td> <td>4</td> <td>3</td> <td>2</td> <td></td> </tr> </tbody> </table> | Wire colour ¹⁾ | - | | BK | BU | BN | | Pin | 1 | 4 | 3 | 2 | | | |
| | Wire colour ¹⁾ | - | BK | BU | BN | | | | | | | | | | | | | | |
| Pin | 1 | 4 | 3 | 2 | | | | | | | | | | | | | | | |
| | | | <p>Plug M8x1</p>  | | | | | | | | | | | | | | | | |
| | | | <p>Plug M12x1</p>  | | | | | | | | | | | | | | | | |

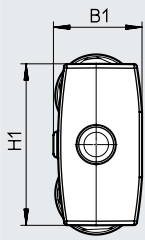
1) To IEC 757

Data sheet

Dimensions

Download CAD data → www.festo.com

Distributor body front view

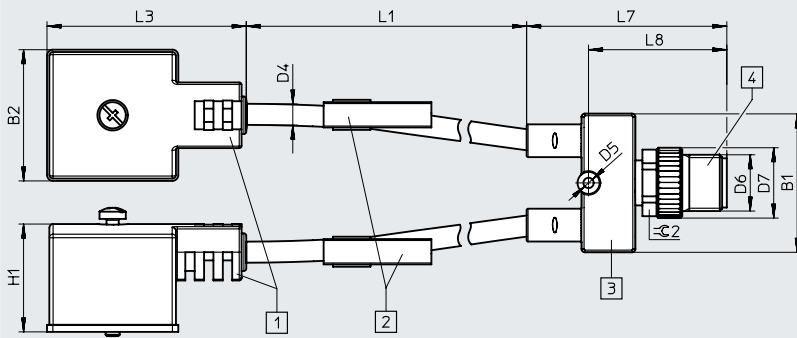


Distributor body front view

| | B1 | H1 |
|---------|------|------|
| Size 1: | 12 | 21 |
| Size 2: | 16.2 | 29.6 |

- Y-distributor with cable on field device side and plug M8x1
- Y-distributor with cable on field device side and plug M12x1
- Y-distributor with cable on both sides

Y-distributor with cable on field device side



- [1] Socket, field device side [2] Inscription label [3] Distributor [4] Plug, controller side

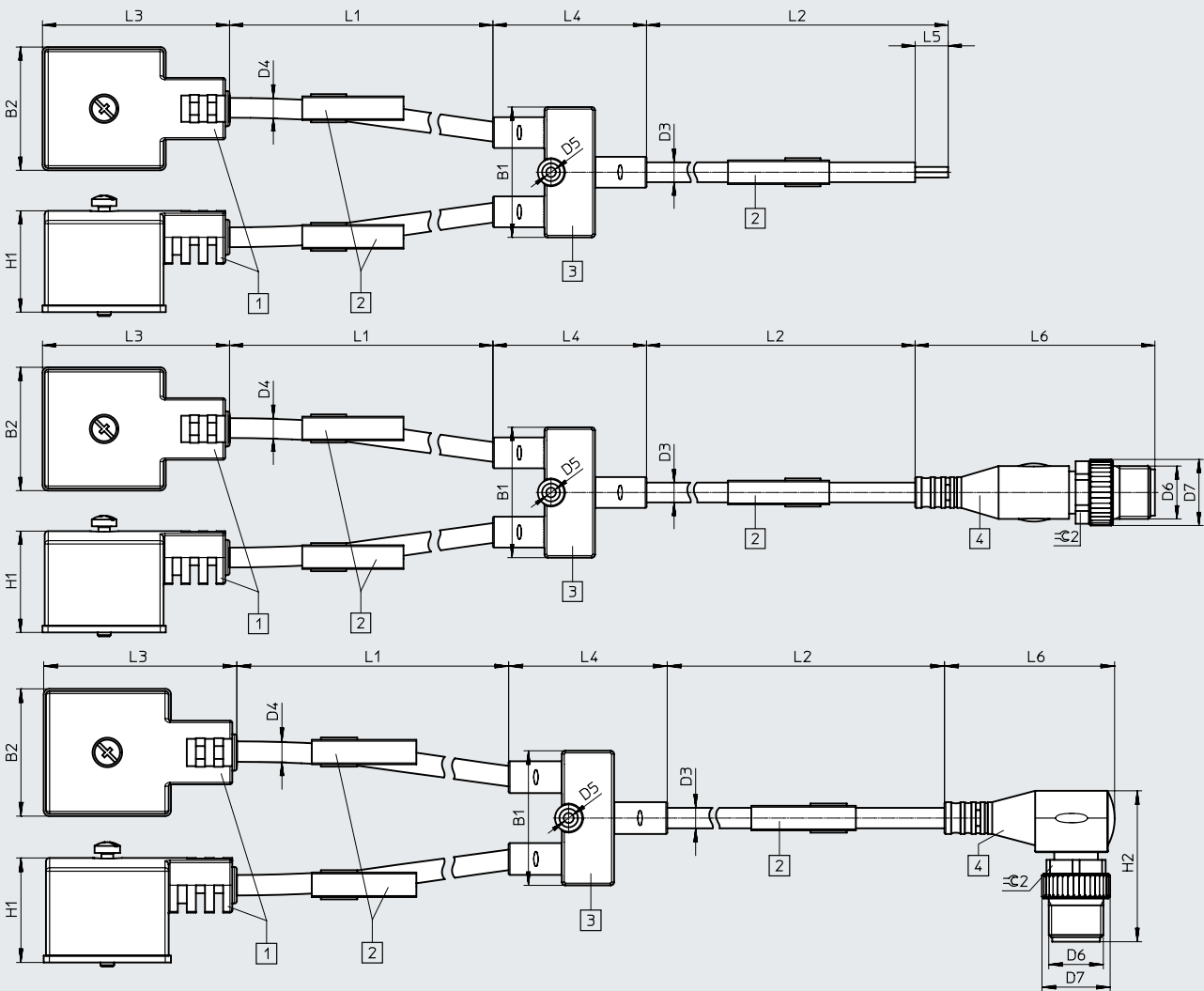
| Electrical connection, controller side | B1 | B2 | D4 ∅ | D5 ∅ | D6 | D7 ∅ | H1 | L1 | L3 | L7 | L8 | ⊕ 2 |
|--|------|----|---------|---------|-----|---------|------|---------------|------|------|------|-------|
| Plug M8x1 | 21 | 16 | 3.8 | 2.2 | M8 | 10 | 21.2 | 300 ... 30000 | 30.5 | 35 | 21.6 | 9 mm |
| Plug M12x1 | 29.6 | 16 | 3.8 | 2.2 | M12 | 15 | 21.2 | 300 ... 30000 | 30.5 | 42.7 | 29.5 | 13 mm |

Data sheet

Dimensions

Download CAD data → www.festo.com

Y-distributor with cable on both sides



[1] Socket, field device side [2] Inscription label [3] Distributor [4] Plug, controller side

| Electrical connection, controller side | | B1 | B2 | D3 ∅ | D4 ∅ | D5 ∅ | D6 | H1 | H2 | L1 | L2 | L3 | L4 | L5 | L6 | ±0.2 |
|--|----------|------|----|---------|---------|---------|-----|------|------|--------------------|--------------------|------|------|----|------|-------|
| Open cable end | | 29.6 | 16 | 3.8 | 3.8 | 2.2 | - | 21.2 | - | (300 ... 30000)-L2 | (300 ... 30000)-L1 | 30.5 | 34.9 | 50 | - | - |
| Plug M8x1 | Straight | 29.6 | 16 | 3.8 | 3.8 | 2.2 | M8 | 21.2 | - | (300 ... 30000)-L2 | (300 ... 30000)-L1 | 30.5 | 34.9 | - | 41.1 | 9 mm |
| | Angled | 29.6 | 16 | 3.8 | 3.8 | 2.2 | M8 | 21.2 | 24 | (300 ... 30000)-L2 | (300 ... 30000)-L1 | 30.5 | 34.9 | - | 26.9 | 9 mm |
| Plug M12x1 | Straight | 29.6 | 16 | 3.8 | 3.8 | 2.2 | M12 | 21.2 | - | (300 ... 30000)-L2 | (300 ... 30000)-L1 | 30.5 | 34.9 | - | 54.5 | 13 mm |
| | Angled | 29.6 | 16 | 3.8 | 3.8 | 2.2 | M12 | 21.2 | 33.2 | (300 ... 30000)-L2 | (300 ... 30000)-L1 | 30.5 | 34.9 | - | 37.5 | 13 mm |

Ordering data – Accessories

| | | Part no. | Type |
|--|---------------------|--|-----------------------------------|
| | Mounting for T-slot | • For Y-distributor with cable on field device side and plug M8x1 | 8032868 NEAU-A-N8-1 |
| | | • For Y-distributor with cable on field device side and plug M12x1 | 8032869 NEAU-A-N8-2 |
| | | • For Y-distributor with cable on both sides | |

Ordering data – Modular product system

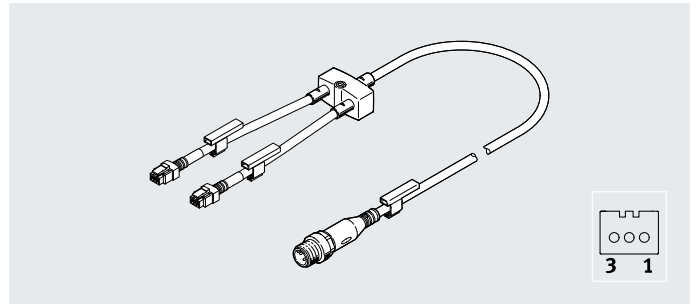
| Ordering table | | Condi- tions | Code | Enter code |
|--|--|-----------------|--------------|---------------|
| Module no. | 8032867 | | | |
| Distributor | Sensor/actuator distributors | | NEDY | NEDY |
| Distributor type | Y type | | -L2R1 | -L2R1 |
| Wiring allocation | Standard variant (see circuit diagram, standard) | | -V1 | -V1 |
| Connection technology on the left, field device side | Socket type C, industry standard, 9.4 mm | | -E1 | -E1 |
| Cable outlet on the left | Angled | | W | W |
| Number of pins/wires on the left | 4-pin | | 4 | 4 |
| Display | Signal status LED (for valves only) | | L | L |
| Cable characteristic | Suitable for use with energy chains/robot applications | | -U | -U |
| Cable length on the left [m] | 0.3 ... 30 | [1] | -...L | |
| Cable designation | With inscription label holder | | | |
| | Without inscription label holder | | -N | |
| Connection technology on the right, controller side | Open end | | -LE | |
| | Plug M8x1, A-coded, EN 61076-2-104 | | -M8 | |
| | Plug M12x1, A-coded, EN 61076-2-101 | | -M12 | |
| Cable outlet on the right | None | [2] | | |
| | Straight | [3] | G | |
| | Angled | [3] | W | |
| Number of pins/wires on the right | 3-pin | [2] | 3 | |
| | 4-pin | [4] | 4 | |
| Cable length on the right [m] | None | | | |
| | 0.3 ... 30 | [5] | -...R | |

- 1) -...L The sum of the cable length on the left and cable length on the right must not exceed 30 m
- 2) 3 Only with connection technology on the right, LE
- 3) G, W Not in combination with connection technology on the right, controller side LE
- 4) 4 Only with connection technology on the right M8 or M12
- 5) -...R The sum of the cable length on the left and cable length on the right must not exceed 30 m
Mandatory specification in combination with cable outlet on the right, W
Mandatory specification in combination with connection technology on the right, controller side LE

Data sheet

Distributor NEDY-L2R1-V1-H1

- Dual distributor
- For connecting valves



General technical data

| | |
|-------------------|--|
| Design | Y-distributor |
| Distributor type | Y type |
| Type of mounting | Via accessories, via through-hole for M2 screw |
| Cable designation | Via inscription label holder (optional) |
| Based on standard | EN 61076-2-101, EN 61076-2-104 |

Electrical connection 2

| | |
|-----------------------|-------------------|
| Function | Field device side |
| Connection type | 2x socket |
| Cable outlet | Straight |
| Design | Rectangular |
| Connection technology | Plug pattern H |
| Number of pins/wires | 3 |
| Assigned pins/wires | 2 |
| Display | – |

Technical data – Electrical components

| | | |
|---------------------------------|--------|----------|
| Operating voltage range | [V DC] | 0 ... 30 |
| Surge resistance | [kV] | 0.8 |
| Acceptable current load at 40°C | [A] | 3 |
| Pollution degree | | 3 |

Technical data – Cable

| | Field device side | Controller side |
|---|---|--|
| Cable diameter | [mm] 3.4 | 3.8 |
| Conductor nominal cross section | [mm ²] 0.14 | 0.25 |
| Cable characteristic | Standard | Suitable for use with energy chains/robot applications |
| Cable test conditions | Resistance to bending: to Festo standard; test conditions on request • Resistance to bending: 10000 cycles • Torsional strength: > 300000 cycles, ±270°/0.1 m | Resistance to bending: to Festo standard; test conditions on request • Energy chain: 5 million cycles, bending radius 28 mm • Torsional strength: > 300000 cycles, ±270°/0.1 m |
| Bending radius, flexible cable installation | [mm] 34 | 39 |

Data sheet

Technical data – Electrical connection 1

| | | | |
|-----------------------|-------------------|-------------------|----------|
| Function | Controller side | | |
| Connection type | Plug | | Open end |
| Cable outlet | Straight, angled | Straight, angled | – |
| Design | Round | Round | – |
| Connection technology | M8x1, A-coded | M12x1, A-coded | – |
| Number of pins/wires | 4 | 4 | 3 |
| Assigned pins/wires | 3 | 3 | 3 |
| Display | – | – | – |
| Based on standard | To EN 61076-2-104 | To EN 61076-2-101 | – |

Materials

| | |
|---------------------|---|
| Housing | PA, POM, TPE-U(PUR) |
| Housing colour | Black |
| Threaded sleeve | Nickel-plated brass |
| Seals | NBR |
| Pin contacts | Gold-plated copper alloy, tin-plated copper alloy |
| Cable sheath | TPE-U(PUR) |
| Cable sheath colour | Grey |
| Note on materials | Free of copper and PTFE RoHS-compliant |
| PWIS conformity | VDMA24364-B2-L |

Operating and environmental conditions

| | | |
|--|------|--|
| Ambient temperature | [°C] | –20 ... +80 |
| Note on ambient temperature | [°C] | –10 ... +40 with mounting via through-hole |
| Ambient temperature with flexible cable installation | [°C] | –5 ... +70 |
| Storage temperature | [°C] | –20 ... +70 |
| Degree of protection | | IP40 |
| CE marking (see declaration of conformity) ¹⁾ | | To EU RoHS Directive |
| Corrosion resistance class CRC ²⁾ | | 4 |

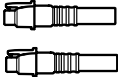
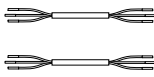
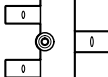
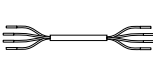
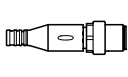
1) For information about the area of use, see the EC declaration of conformity at: www.festo.com/catalogue/ned → Support/Downloads.

If the devices are subject to usage restrictions in residential, commercial or light-industrial environments, further measures for the reduction of the emitted interference may be necessary.

2) Corrosion resistance class CRC 4 to Festo standard FN 940070

Particularly high corrosion stress. Particularly high corrosion stress. Outdoor exposure under extreme corrosive conditions. Parts exposed to aggressive media, for instance in the chemical or food industries. Such applications may need to be safeguarded by special testing (d auch FN 940082), using appropriate media.

Product weight

| | | | | | | | | | |
|---|---|---|----|---|----|--|------|---|------|
|  | |  | |  | |  | |  | |
| 2x socket [g] | | 2x cable [g/m] | | Distributor [g] | | Cable [g/m] | | Plug [g] | |
| Plug pattern H | 2 | 2-wire | 31 | With cable outlet | 10 | 3-wire | 19.5 | M8x1 | 4.5 |
| | | | | With plug M12x1 | 17 | | | M12x1, straight | 12 |
| | | | | With plug M8x1 | 7 | | | M12x1, angled | 12.5 |
| | | | | With socket M8x1 | 8 | | | Open end | 0 |

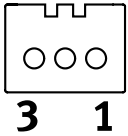
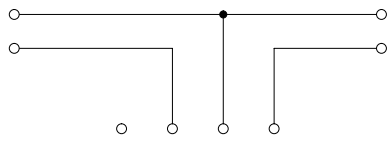
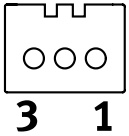
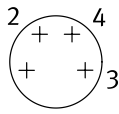
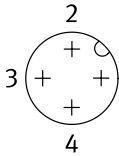
The weight of the individual components must be added together to determine the overall weight:
socket + length x cable + distributor + length x cable + plug

Example:

NEDY-L2R1-V1-H1G3-U-3L-LE3-10R

$2\text{ g} + 3 \times 31\text{ g} + 10\text{ g} + 10 \times 19.5\text{ g} + 0\text{ g} = 300\text{ g}$

Data sheet

| Circuitry (socket/plug view) | | Wiring allocation | | | | Circuitry (socket/plug view) | | | | | | | | | | | | | |
|---|-----|---|---|----|--|------------------------------|---------------------------|-----|---|----|----|----|--|-----|---|---|---|---|--|
| Connection no. 4 | Pin | Wire colour ¹⁾ | | | | | Wire colour ¹⁾ | Pin | Connection no. 2 | | | | | | | | | | |
|  | 1 | RD |  | | | | RD | 1 |  | | | | | | | | | | |
| | 2 | - | | | | | - | 2 | | | | | | | | | | | |
| | 3 | BK | | | | | BK | 3 | | | | | | | | | | | |
| | | | <table border="1"> <thead> <tr> <th>Wire colour¹⁾</th> <th>-</th> <th>BK</th> <th>BU</th> <th>BN</th> <th></th> </tr> </thead> <tbody> <tr> <td>Pin</td> <td>1</td> <td>4</td> <td>3</td> <td>2</td> <td></td> </tr> </tbody> </table> | | | | Wire colour ¹⁾ | - | | BK | BU | BN | | Pin | 1 | 4 | 3 | 2 | |
| Wire colour ¹⁾ | - | BK | BU | BN | | | | | | | | | | | | | | | |
| Pin | 1 | 4 | 3 | 2 | | | | | | | | | | | | | | | |
| | | <p>Plug M8x1</p>  | | | | | | | | | | | | | | | | | |
| | | <p>Plug M12x1</p>  | | | | | | | | | | | | | | | | | |

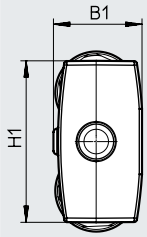
1) To IEC 757

Data sheet

Dimensions

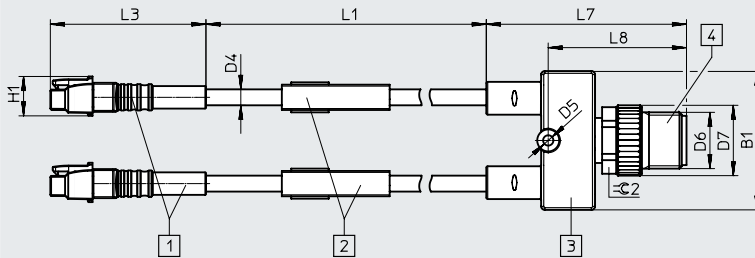
Download CAD data → www.festo.com

Distributor body front view



| | | | |
|-----------------------------|--|------|------|
| Distributor body front view | | B1 | H1 |
| Size 1: | • Y-distributor with cable on field device side and plug M8x1 | 12 | 21 |
| Size 2: | • Y-distributor with cable on field device side and plug M12x1 • Y-distributor with cable on both sides | 16.2 | 29.6 |

Y-distributor with cable on field device side



[1] Socket, field device side [2] Inscription label [3] Distributor [4] Plug, controller side

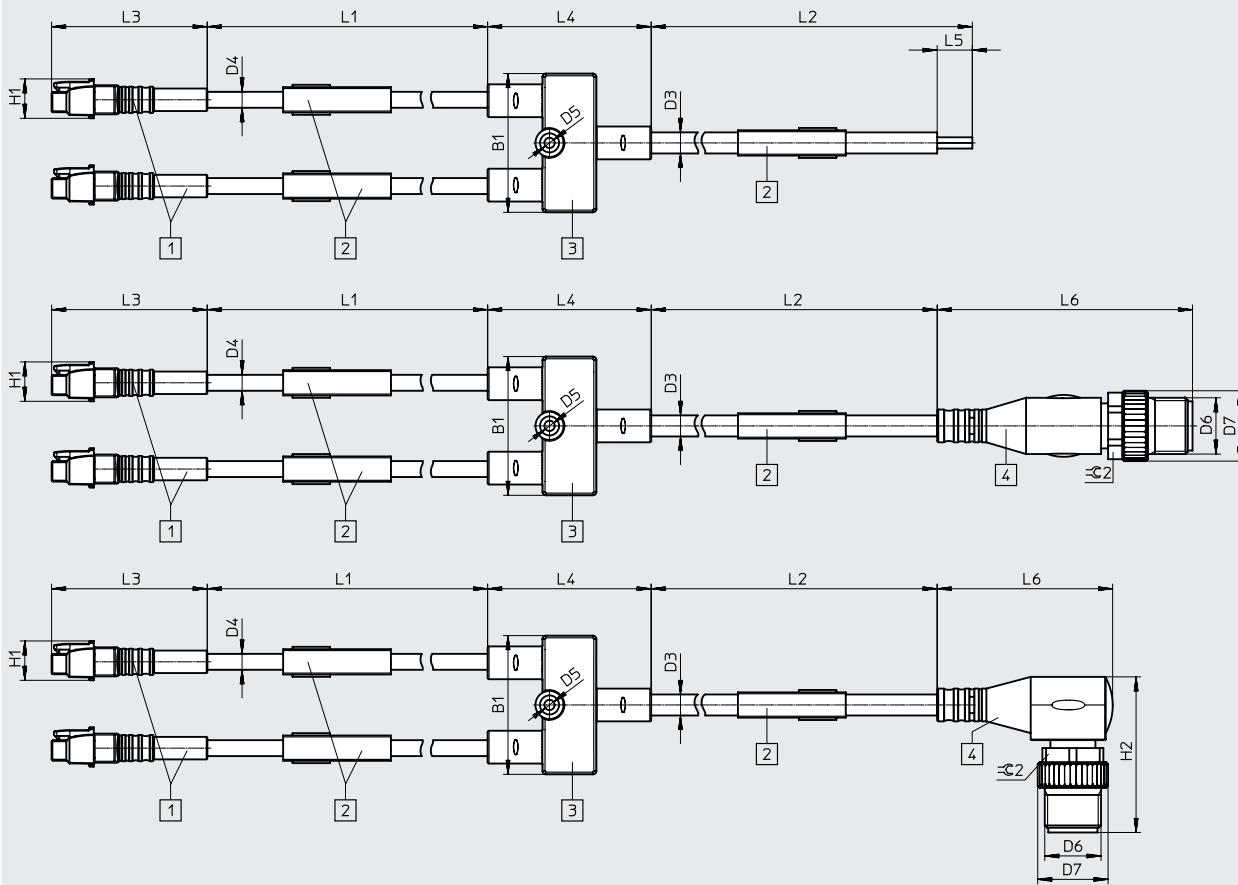
| Electrical connection, controller side | B1 | D4 ∅ | D5 ∅ | D6 | D7 ∅ | H1 | L1 | L3 | L7 | L8 | ⌀ 2 |
|--|------|---------|---------|-----|---------|-----|---------------|------|------|------|-------|
| Plug M8x1 | 21 | 3.4 | 2.2 | M8 | 10 | 8.4 | 300 ... 30000 | 33.2 | 35 | 21.6 | 9 mm |
| Plug M12x1 | 29.6 | 3.4 | 2.2 | M12 | 15 | 8.4 | 300 ... 30000 | 33.2 | 42.7 | 29.5 | 13 mm |

Data sheet

Dimensions

Download CAD data → www.festo.com

Y-distributor with cable on both sides



[1] Socket, field device side

[2] Inscription label

[3] Distributor

[4] Plug, controller side

| Electrical connection, controller side | | B1 | D3 ∅ | D4 ∅ | D5 ∅ | D6 | H1 | H2 | L1 | L2 | L3 | L4 | L5 | L6 | ≈∅ 2 |
|--|----------|------|---------|---------|---------|-----|-----|------|--------------------|--------------------|------|------|----|------|-------|
| Open cable end | | 29.6 | 3.8 | 3.4 | 2.2 | – | 8.4 | – | (300 ... 30000)-L2 | (300 ... 30000)-L1 | 33.2 | 34.9 | 50 | – | – |
| Plug M8x1 | Straight | 29.6 | 3.8 | 3.4 | 2.2 | M8 | 8.4 | – | (300 ... 30000)-L2 | (300 ... 30000)-L1 | 33.2 | 34.9 | – | 41.1 | 9 mm |
| | Angled | 29.6 | 3.8 | 3.4 | 2.2 | M8 | 8.4 | 24 | (300 ... 30000)-L2 | (300 ... 30000)-L1 | 33.2 | 34.9 | – | 26.9 | 9 mm |
| Plug M12x1 | Straight | 29.6 | 3.8 | 3.4 | 2.2 | M12 | 8.4 | – | (300 ... 30000)-L2 | (300 ... 30000)-L1 | 33.2 | 34.9 | – | 54.5 | 13 mm |
| | Angled | 29.6 | 3.8 | 3.4 | 2.2 | M12 | 8.4 | 33.2 | (300 ... 30000)-L2 | (300 ... 30000)-L1 | 33.2 | 34.9 | – | 37.5 | 13 mm |

Ordering data – Accessories

| | | Part no. | Type |
|--|---------------------|--|----------------------------|
| | Mounting for T-slot | • For Y-distributor with cable on field device side and plug M8x1 | 8032868 NEAU-A-N8-1 |
| | | • For Y-distributor with cable on field device side and plug M12x1 | 8032869 NEAU-A-N8-2 |
| | | • For Y-distributor with cable on both sides | |

Ordering data – Modular product system

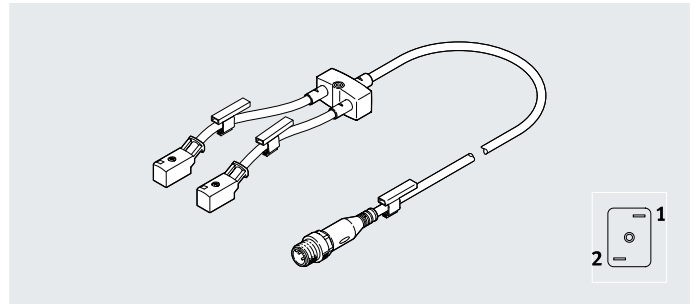
| Ordering table | | Condi- tions | Code | Enter code |
|--|--|-----------------|--------------|---------------|
| Module no. | 8032867 | | | |
| Distributor | Sensor/actuator distributors | | NEDY | NEDY |
| Distributor type | Y type | | -L2R1 | -L2R1 |
| Wiring allocation | Standard variant (see circuit diagram, standard) | | -V1 | -V1 |
| Connection technology on the left, field device side | Socket plug pattern H | | -H1 | -H1 |
| Cable outlet on the left | Straight | | G | G |
| Number of pins/wires on the left | 3-pin | | 3 | 3 |
| Cable characteristic | Suitable for use with energy chains/robot applications | | -U | -U |
| Cable length on the left [m] | 0.3 ... 30 | [1] | -...L | |
| Cable designation | With inscription label holder | | | |
| | Without inscription label holder | | -N | |
| Connection technology on the right, controller side | Open end | | -LE | |
| | Plug M8x1, A-coded, EN 61076-2-104 | | -M8 | |
| | Plug M12x1, A-coded, EN 61076-2-101 | | -M12 | |
| Cable outlet on the right | None | [2] | | |
| | Straight | [3] | G | |
| | Angled | [3] | W | |
| Number of pins/wires on the right | 3-pin | [2] | 3 | |
| | 4-pin | [4] | 4 | |
| Cable length on the right [m] | None | | | |
| | 0.3 ... 30 | [5] | -...R | |

- 1) -...L The sum of the cable length on the left and cable length on the right must not exceed 30 m
- 2) 3 Only with connection technology on the right, LE
- 3) G, W Not in combination with connection technology on the right, controller side LE
- 4) 4 Only with connection technology on the right M8 or M12
- 5) -...R The sum of the cable length on the left and cable length on the right must not exceed 30 m
Mandatory specification in combination with cable outlet on the right, W
Mandatory specification in combination with connection technology on the right, controller side LE

Data sheet

Distributor NEDY-L2R1-V1-Z1

- Dual distributor
- For connecting valves



| General technical data | |
|-------------------------|--|
| Design | Y-distributor |
| Distributor type | Y type |
| Type of mounting | Via accessories, via through-hole for M2 screw |
| Cable designation | Via inscription label holder (optional) |
| Based on standard | EN 61076-2-101, EN 61076-2-104 |
| Electrical connection 2 | |
| Function | Field device side |
| Connection type | 2x socket |
| Cable outlet | Angled |
| Design | Rectangular |
| Connection technology | Plug pattern ZB, self-tapping screw |
| Number of pins/wires | 2 |
| Assigned pins/wires | 2 |
| Display | Yellow LED, signal status indication |

| Technical data – Electrical components | | |
|--|--------|---------------|
| Operating voltage range | [V DC] | 20.4 ... 26.4 |
| Surge resistance | [kV] | 0.8 |
| Acceptable current load at 40°C | [A] | 1 |
| Pollution degree | | 3 |

| Technical data – Cable | | | |
|---|--------------------|---|--|
| | | Field device side | Controller side |
| Cable diameter | [mm] | 3.4 | 3.8 |
| Conductor nominal cross section | [mm ²] | 0.25 | 0.25 |
| Cable characteristic | | Standard | Suitable for use with energy chains/robot applications |
| Cable test conditions | | Resistance to bending: to Festo standard; test conditions on request • Energy chain: 1.5 million cycles, bending radius 75 mm • Resistance to bending: 20000 cycles | Resistance to bending: to Festo standard; test conditions on request • Energy chain: 5 million cycles, bending radius 28 mm • Torsional strength: > 300000 cycles, ±270°/0.1 m |
| Bending radius, flexible cable installation | [mm] | 34 | 39 |

Data sheet

Technical data – Electrical connection 1

| | | | |
|-----------------------|-------------------|-------------------|----------|
| Function | Controller side | | |
| Connection type | Plug | | Open end |
| Cable outlet | Straight, angled | Straight, angled | – |
| Design | Round | Round | – |
| Connection technology | M8x1, A-coded | M12x1, A-coded | – |
| Number of pins/wires | 4 | 4 | 3 |
| Assigned pins/wires | 3 | 3 | 3 |
| Display | – | – | – |
| Based on standard | To EN 61076-2-104 | To EN 61076-2-101 | – |

Materials

| | |
|---------------------|---|
| Housing | PA, TPE-U(PUR) |
| Housing colour | Black |
| Threaded sleeve | Nickel-plated brass |
| Seals | NBR, TPE-O |
| Pin contacts | Gold-plated copper alloy, tin-plated copper alloy |
| Cable sheath | TPE-U(PUR) |
| Cable sheath colour | Grey |
| Note on materials | Free of copper and PTFE RoHS-compliant |
| PWIS conformity | VDMA24364-B2-L |

Operating and environmental conditions

| | | |
|--|------|--|
| Ambient temperature | [°C] | –10 ... +50 |
| Note on ambient temperature | [°C] | –10 ... +40 with mounting via through-hole |
| Ambient temperature with flexible cable installation | [°C] | –5 ... +50 |
| Storage temperature | [°C] | –10 ... +50 |
| Degree of protection | | IP65 |
| CE marking (see declaration of conformity) ¹⁾ | | To EU RoHS Directive |
| Corrosion resistance class CRC ²⁾ | | 2 |

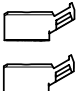
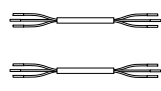
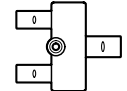
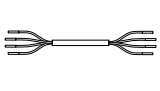
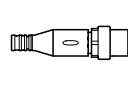
1) For information about the area of use, see the EC declaration of conformity at: www.festo.com/catalogue/ned → Support/Downloads.

If the devices are subject to usage restrictions in residential, commercial or light-industrial environments, further measures for the reduction of the emitted interference may be necessary.

2) Corrosion resistance class CRC 2 to Festo standard FN 940070

Moderate corrosion stress. Indoor application where condensation is permitted. Exposed visible parts with primarily decorative requirements for the surface, which are in direct contact with the surrounding industrial atmosphere.

Product weight

| | | | | | | | | | |
|---|---|---|----|---|----|--|------|---|------|
|  | |  | |  | |  | |  | |
| 2x socket [g] | | 2x cable [g/m] | | Distributor [g] | | Cable [g/m] | | Plug [g] | |
| Plug pattern ZB | 5 | 2-wire | 31 | With cable outlet | 10 | 3-wire | 19.5 | M8x1 | 4.5 |
| | | | | With plug M12x1 | 17 | | | M12x1, straight | 12 |
| | | | | With plug M8x1 | 7 | | | M12x1, angled | 12.5 |
| | | | | With socket M8x1 | 8 | | | Open end | 0 |

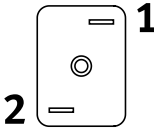
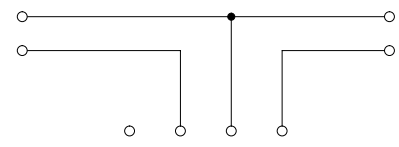
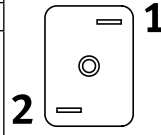
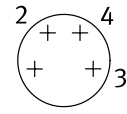
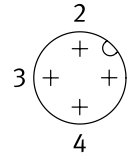
The weight of the individual components must be added together to determine the overall weight:
socket + length x cable + distributor + length x cable + plug

Example:

NEDY-L2R1-V1-Z1W2L-U-3L-LE3-10R

5 g + 3x 31 g + 10 g + 10x 19.5 g + 0 g = 303 g

Data sheet

| Circuitry (socket/plug view) | | Wiring allocation | | | | Circuitry (socket/plug view) | | | | |
|---|-----|---|--|---|----|------------------------------|---------------------------|-----|---|--|
| Connection no. 4 | Pin | Wire colour ¹⁾ | | | | | Wire colour ¹⁾ | Pin | Connection no. 2 | |
|  | 1 | BK |  | | | | BK | 1 |  | |
| | 2 | BK | | | | | BK | 2 | | |
| | | | Wire colour ¹⁾ | - | BK | BU | BN | | | |
| | | | Pin | 1 | 4 | 3 | 2 | | | |
| | | Plug M8x1 | | | | | | | | |
| | |  | | | | | | | | |
| | | Plug M12x1 | | | | | | | | |
| | |  | | | | | | | | |

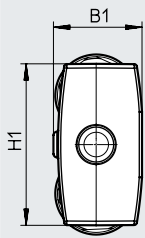
1) To IEC 757

Data sheet

Dimensions

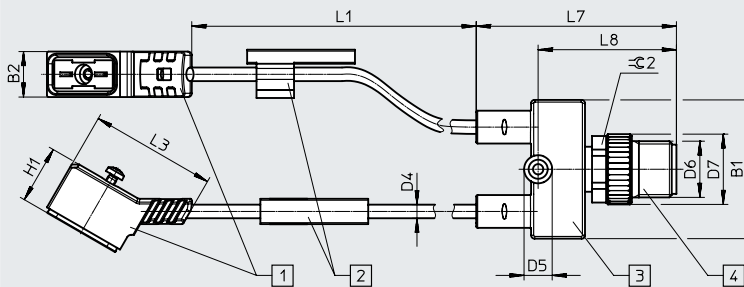
Download CAD data → www.festo.com

Distributor body front view



| | | | |
|-----------------------------|--|------|------|
| Distributor body front view | | B1 | H1 |
| Size 1: | • Y-distributor with cable on field device side and plug M8x1 | 12 | 21 |
| Size 2: | • Y-distributor with cable on field device side and plug M12x1 • Y-distributor with cable on both sides | 16.2 | 29.6 |

Y-distributor with cable on field device side



[1] Socket, field device side [2] Inscription label [3] Distributor [4] Plug, controller side

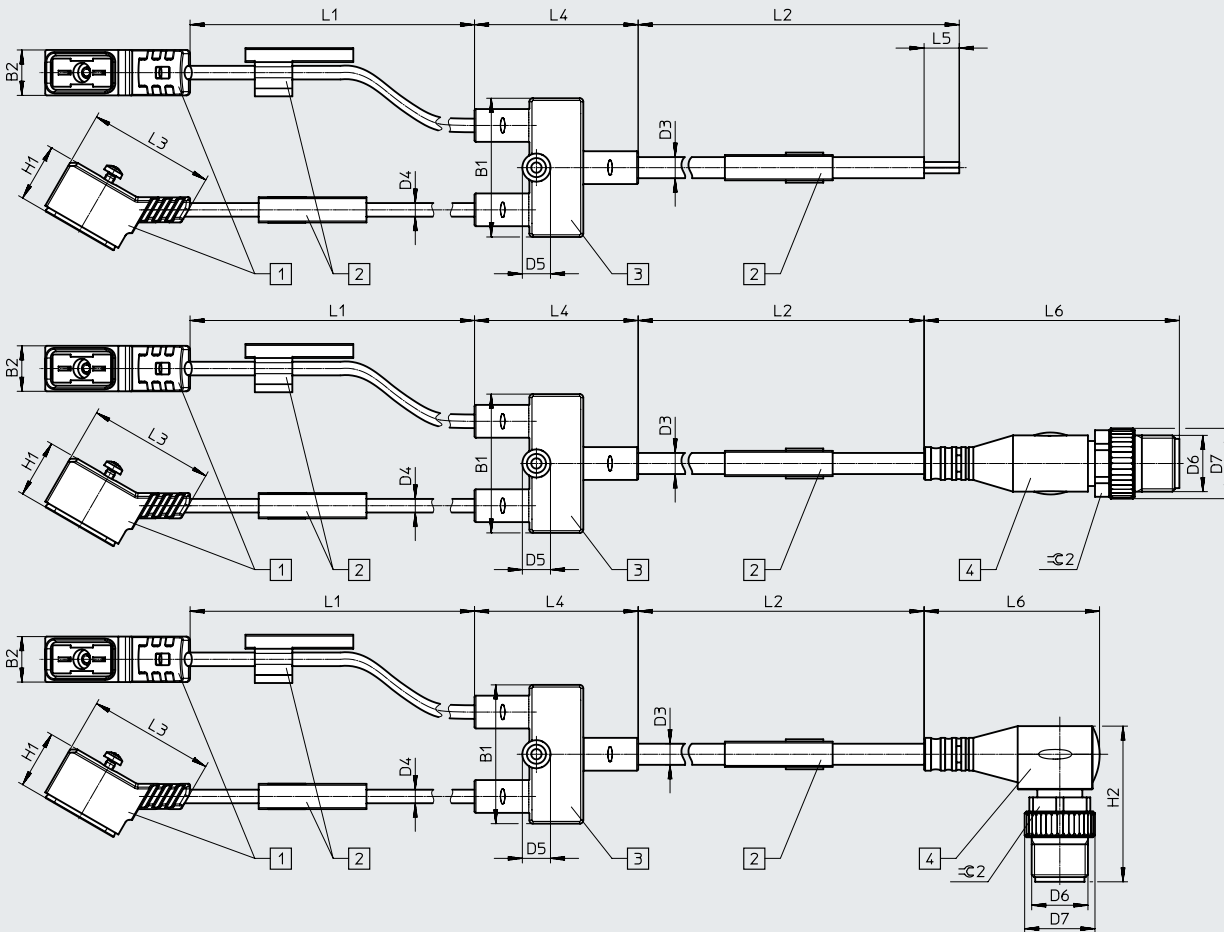
| Electrical connection, controller side | B1 | B2 | D4 ∅ | D5 ∅ | D6 | D7 ∅ | H1 | L1 | L3 | L7 | L8 | ∠ 2 |
|--|------|-----|---------|---------|-----|---------|------|---------------|------|------|------|-------|
| Plug M8x1 | 21 | 9.7 | 3.4 | 2.2 | M8 | 10 | 11.3 | 300 ... 30000 | 28.4 | 35 | 21.6 | 9 mm |
| Plug M12x1 | 29.6 | 9.7 | 3.4 | 2.2 | M12 | 15 | 11.3 | 300 ... 30000 | 28.4 | 42.7 | 29.5 | 13 mm |

Data sheet

Dimensions

Download CAD data → www.festo.com

Y-distributor with cable on both sides



[1] Socket, field device side [2] Inscription label [3] Distributor [4] Plug, controller side

| Electrical connection, controller side | B1 | B2 | D3 ∅ | D4 ∅ | D5 ∅ | D6 | H1 | H2 | L1 | L2 | L3 | L4 | L5 | L6 | ∅ 2 |
|--|------|-----|---------|---------|---------|-----|------|------|--------------------|--------------------|------|------|------|------|-------|
| Open cable end | 29.6 | 9.7 | 3.8 | 3.4 | 2.2 | - | 11.3 | - | (300 ... 30000)-L2 | (300 ... 30000)-L1 | 28.4 | 34.9 | 50 | - | - |
| Plug M8x1 | 29.6 | 9.7 | 3.8 | 3.4 | 2.2 | M8 | 11.3 | - | (300 ... 30000)-L2 | (300 ... 30000)-L1 | 28.4 | 34.9 | - | 41.1 | 9 mm |
| | | | | | | | | 24 | | | | | 26.9 | | |
| Plug M12x1 | 29.6 | 9.7 | 3.8 | 3.4 | 2.2 | M12 | 11.3 | - | (300 ... 30000)-L2 | (300 ... 30000)-L1 | 28.4 | 34.9 | - | 54.5 | 13 mm |
| | | | | | | | | 33.2 | | | | | 37.5 | | |

Ordering data – Accessories

| | | | Part no. | Type |
|--|---------------------|--|----------|-------------|
| | Mounting for T-slot | • For Y-distributor with cable on field device side and plug M8x1 | 8032868 | NEAU-A-N8-1 |
| | | • For Y-distributor with cable on field device side and plug M12x1 | 8032869 | NEAU-A-N8-2 |
| | | • For Y-distributor with cable on both sides | | |

Ordering data – Modular product system

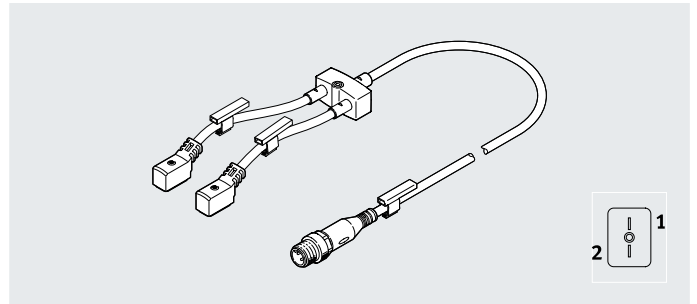
| Ordering table | | Condi- tions | Code | Enter code |
|---|--|-----------------|--------------|---------------|
| Module no. | 8032867 | | | |
| Distributor | Sensor/actuator distributors | | NEDY | NEDY |
| Distributor type | Y type | | -L2R1 | -L2R1 |
| Wiring allocation | Standard variant (see circuit diagram, standard) | | -V1 | -V1 |
| Connection technology on the left, field device side | Socket plug pattern ZB, self-tapping screw | | -Z1 | -Z1 |
| Cable outlet on the left | Angled | | W | W |
| Number of pins/wires on the left | 2-pin | | 2 | 2 |
| Display | Signal status LED (for valves only) | | L | L |
| Cable characteristic | Suitable for use with energy chains/robot applications | | -U | -U |
| Cable length on the left [m] | 0.3 ... 30 | [1] | -...L | |
| Cable designation | With inscription label holder | | | |
| | Without inscription label holder | | -N | |
| Connection technology on the right, controller side | Open end | | -LE | |
| | Plug M8x1, A-coded, EN 61076-2-104 | | -M8 | |
| | Plug M12x1, A-coded, EN 61076-2-101 | | -M12 | |
| Cable outlet on the right | None | [2] | | |
| | Straight | [3] | G | |
| | Angled | [3] | W | |
| Number of pins/wires on the right | 3-pin | [2] | 3 | |
| | 4-pin | [4] | 4 | |
| Cable length on the right [m] | None | | | |
| | 0.3 ... 30 | [5] | -...R | |

- 1) -...L The sum of the cable length on the left and cable length on the right must not exceed 30 m
- 2) 3 Only with connection technology on the right, LE
- 3) G, W Not in combination with connection technology on the right, controller side LE
- 4) 4 Only with connection technology on the right M8 or M12
- 5) -...R The sum of the cable length on the left and cable length on the right must not exceed 30 m
Mandatory specification in combination with cable outlet on the right, W
Mandatory specification in combination with connection technology on the right, controller side LE

Data sheet

Distributor NEDY-L2R1-V1-Z3

- Dual distributor
- With LED indicator for signal status and holding current reduction for connecting valves without holding current reduction



| General technical data | |
|-------------------------|--|
| Design | Y-distributor |
| Distributor type | Y type |
| Type of mounting | Via accessories, via through-hole for M2 screw |
| Cable designation | Via inscription label holder (optional) |
| Based on standard | EN 61076-2-101, EN 61076-2-104 |
| Electrical connection 2 | |
| Function | Field device side |
| Connection type | 2x socket |
| Cable outlet | Angled |
| Design | Rectangular |
| Connection technology | Plug pattern ZC, self-tapping screw |
| Number of pins/wires | 2 |
| Assigned pins/wires | 2 |
| Display | Yellow LED, signal status indication |
| Additional function | Holding current reduction |

| Technical data – Electrical components | | |
|--|--------|---------------|
| Operating voltage range | [V DC] | 20.4 ... 26.4 |
| Surge resistance | [kV] | 0.8 |
| Acceptable current load at 40°C | [A] | 1 |
| Pollution degree | | 3 |

| Technical data – Cable | | | |
|---|--------------------|--|--|
| | | Field device side | Controller side |
| Cable diameter | [mm] | 2.9 | 3.8 |
| Conductor nominal cross section | [mm ²] | 0.14 | 0.25 |
| Cable characteristic | | Suitable for use with energy chains/robot applications | Suitable for use with energy chains/robot applications |
| Cable test conditions | | Resistance to bending: to Festo standard; test conditions on request • Energy chain: 5 million cycles, bending radius 28 mm • Torsional strength: > 300000 cycles, ±270°/0.1 m | Resistance to bending: to Festo standard; test conditions on request • Energy chain: 5 million cycles, bending radius 28 mm • Torsional strength: > 300000 cycles, ±270°/0.1 m |
| Bending radius, flexible cable installation | [mm] | 30 | 39 |

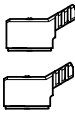
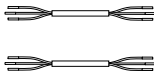
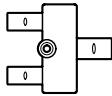
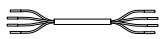

Data sheet

| Technical data – Electrical connection 1 | | | |
|--|-------------------|-------------------|----------|
| Function | Controller side | | |
| Connection type | Plug | | Open end |
| Cable outlet | Straight, angled | Straight, angled | – |
| Design | Round | Round | – |
| Connection technology | M8x1, A-coded | M12x1, A-coded | – |
| Number of pins/wires | 4 | 4 | 3 |
| Assigned pins/wires | 3 | 3 | 3 |
| Display | – | – | – |
| Based on standard | To EN 61076-2-104 | To EN 61076-2-101 | – |

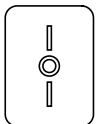
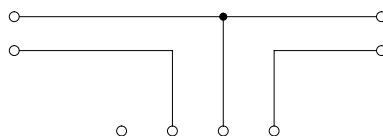
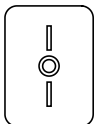
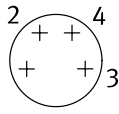
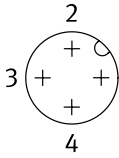
| Materials | |
|---------------------|---|
| Housing | PA, TPE-U(PUR) |
| Housing colour | Black |
| Threaded sleeve | Nickel-plated brass |
| Pin contacts | Gold-plated copper alloy, tin-plated copper alloy |
| Cable sheath | TPE-U(PUR) |
| Cable sheath colour | Grey |
| Note on materials | Free of copper and PTFE RoHS-compliant |
| PWIS conformity | VDMA24364-B2-L |

| Operating and environmental conditions | |
|---|---|
| Ambient temperature [°C] | –10 ... +50 |
| Note on ambient temperature [°C] | –10 ... +40 with mounting via through-hole |
| Ambient temperature with flexible cable installation [°C] | –5 ... +50 |
| Storage temperature [°C] | –10 ... +50 |
| CE marking (see declaration of conformity) ¹⁾ | To EU EMC Directive To EU RoHS Directive |
| Certification | RCM |
| Degree of protection | IP65 |
| Corrosion resistance class CRC ²⁾ | 3 |

- 1) For information about the area of use, see the EC declaration of conformity at: www.festo.com/catalogue/medy → Support/Downloads.
If the devices are subject to usage restrictions in residential, commercial or light-industrial environments, further measures for the reduction of the emitted interference may be necessary.
- 2) Corrosion resistance class CRC 3 to Festo standard FN 940070
High corrosion stress. Outdoor exposure under moderate corrosive conditions. External visible parts with primarily functional surface requirements which are in direct contact with a normal industrial environment.

| Product weight | | | | | |
|--|---|---|----|---|------|
|  | |  | |  | |
|  | |  | | | |
| 2x socket [g] | | 2x cable [g/m] | | Distributor [g] | |
| Plug pattern ZC | 5 | 2-wire | 21 | With cable outlet | 10 |
| | | | | With plug M12x1 | 17 |
| | | | | With plug M8x1 | 7 |
| | | | | With socket M8x1 | 8 |
| | | | | Cable [g/m] | |
| | | | | 3-wire | 19.5 |
| | | | | Plug [g] | |
| | | | | M8x1 | 4.5 |
| | | | | M12x1, straight | 12 |
| | | | | M12x1, angled | 12.5 |
| | | | | Open end | 0 |
| The weight of the individual components must be added together to determine the overall weight: socket + length x cable + distributor + length x cable + plug | | | | | |
| Example: NEDY-L2R1-V1-Z3W2Z-U-3L-LE3-10R 5 g + 3x 21 g + 10 g + 10x 19.5 g + 0 g = 273 g | | | | | |

Data sheet

| Circuitry (socket/plug view) | | Wiring allocation | | | | Circuitry (socket/plug view) | | | |
|---|---|---|---|---|----|------------------------------|---|------------------|--|
| Connection no. 4 | | Pin | Wire colour ¹⁾ | | | Wire colour ¹⁾ | Pin | Connection no. 2 | |
|  | 1 | BK |  | | BK | 1 |  | | |
| | 2 | BK | | | BK | 2 | | | |
| | | | Wire colour ¹⁾ | - | BK | BU | | BN | |
| | | | Pin | 1 | 4 | 3 | | 2 | |
| | | Plug M8x1 | | | | | | | |
| | |  | | | | | | | |
| | | Plug M12x1 | | | | | | | |
| | |  | | | | | | | |

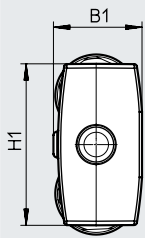
1) To IEC 757

Data sheet

Dimensions

Download CAD data → www.festo.com

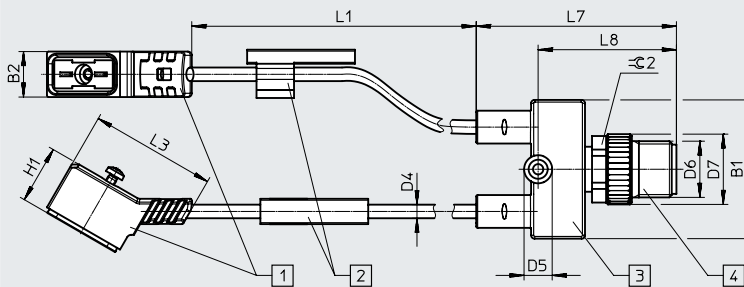
Distributor body front view



Distributor body front view

| | | B1 | H1 |
|---------|--|------|------|
| Size 1: | • Y-distributor with cable on field device side and plug M8x1 | 12 | 21 |
| Size 2: | • Y-distributor with cable on field device side and plug M12x1 • Y-distributor with cable on both sides | 16.2 | 29.6 |

Y-distributor with cable on field device side



[1] Socket, field device side [2] Inscription label [3] Distributor [4] Plug, controller side

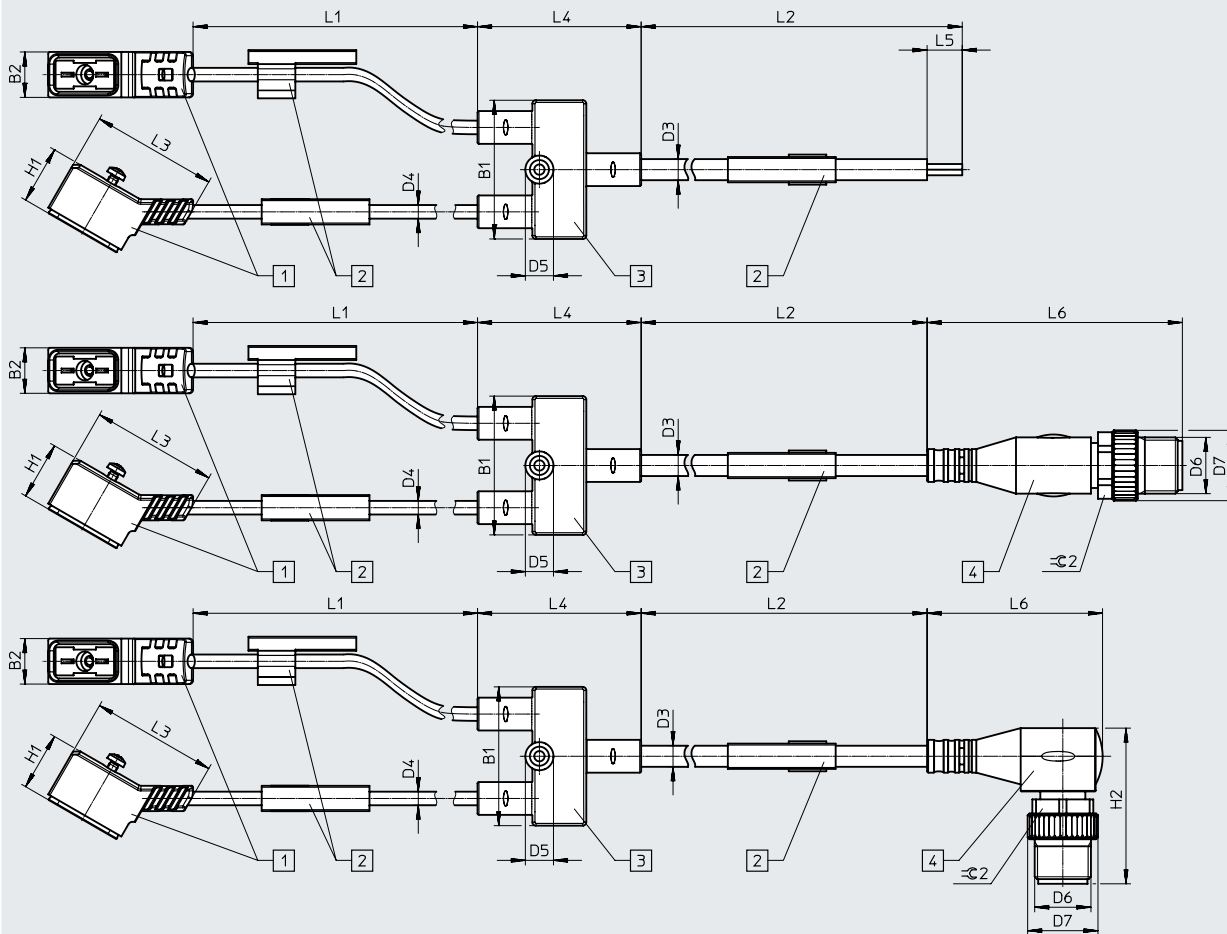
| Electrical connection, controller side | B1 | B2 | D4 ∅ | D5 ∅ | D6 | D7 ∅ | H1 | L1 | L3 | L7 | L8 | ±0.2 |
|--|------|-----|---------|---------|-----|---------|----|---------------|------|------|------|-------|
| Plug M8x1 | 21 | 9.7 | 2.9 | 2.2 | M8 | 10 | 12 | 300 ... 30000 | 26.9 | 35 | 21.6 | 9 mm |
| Plug M12x1 | 29.6 | 9.7 | 2.9 | 2.2 | M12 | 15 | 12 | 300 ... 30000 | 26.9 | 42.7 | 29.5 | 13 mm |

Data sheet

Dimensions

Download CAD data → www.festo.com

Y-distributor with cable on both sides



[1] Socket, field device side [2] Inscription label [3] Distributor [4] Plug, controller side

| Electrical connection, controller side | B1 | B2 | D3 ∅ | D4 ∅ | D5 ∅ | D6 | H1 | H2 | L1 | L2 | L3 | L4 | L5 | L6 | ∠ 2 |
|--|------|-----|---------|---------|---------|-----|----|------|--------------------|--------------------|------|------|----|------|-------|
| Open cable end | 29.6 | 9.7 | 3.8 | 2.9 | 2.2 | - | 12 | - | (300 ... 30000)-L2 | (300 ... 30000)-L1 | 26.9 | 34.9 | 50 | - | - |
| Plug M8x1 | 29.6 | 9.7 | 3.8 | 2.9 | 2.2 | M8 | 12 | - | (300 ... 30000)-L2 | (300 ... 30000)-L1 | 26.9 | 34.9 | - | 41.1 | 9 mm |
| | | | | | | | | 24 | | | | | | 26.9 | 34.9 |
| Plug M12x1 | 29.6 | 9.7 | 3.8 | 2.9 | 2.2 | M12 | 12 | - | (300 ... 30000)-L2 | (300 ... 30000)-L1 | 26.9 | 34.9 | - | 54.5 | 13 mm |
| | | | | | | | | 33.2 | | | | | | 26.9 | 34.9 |

Ordering data – Accessories

| | | | Part no. | Type |
|--|---------------------|--|----------|-------------|
| | Mounting for T-slot | • For Y-distributor with cable on field device side and plug M8x1 | 8032868 | NEAU-A-N8-1 |
| | | • For Y-distributor with cable on field device side and plug M12x1 | 8032869 | NEAU-A-N8-2 |
| | | • For Y-distributor with cable on both sides | | |

Ordering data – Modular product system

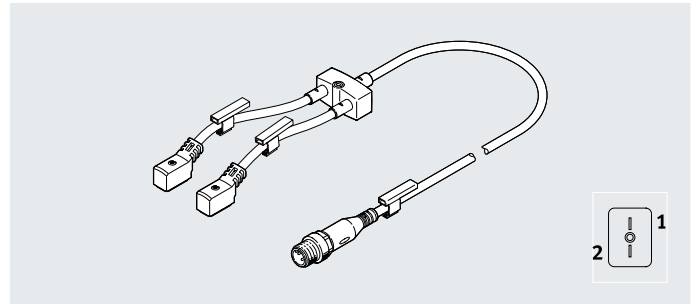
| Ordering table | | Condi- tions | Code | Enter code |
|--|--|-----------------|--------------|---------------|
| Module no. | 8032867 | | | |
| Distributor | Sensor/actuator distributors | | NEDY | NEDY |
| Distributor type | Y type | | -L2R1 | -L2R1 |
| Wiring allocation | Standard variant (see circuit diagram, standard) | | -V1 | -V1 |
| Connection technology on the left, field device side | Socket, plug pattern ZC, self-tapping screw | | -Z3 | -Z3 |
| Cable outlet on the left | Angled | | W | W |
| Number of pins/wires on the left | 2-pin | | 2 | 2 |
| Display | Signal status, holding current reduction LED (only for valves) | | Z | Z |
| Cable characteristic | Suitable for use with energy chains/robot applications | | -U | -U |
| Cable length on the left [m] | 0.3 ... 30 | [1] | -...L | |
| Cable designation | With inscription label holder | | | |
| | Without inscription label holder | | -N | |
| Connection technology on the right, controller side | Open end | | -LE | |
| | Plug M8x1, A-coded, EN 61076-2-104 | | -M8 | |
| | Plug M12x1, A-coded, EN 61076-2-101 | | -M12 | |
| Cable outlet on the right | None | [2] | | |
| | Straight | [3] | G | |
| | Angled | [3] | W | |
| Number of pins/wires on the right | 3-pin | [2] | 3 | |
| | 4-pin | [4] | 4 | |
| Cable length on the right [m] | None | | | |
| | 0.3 ... 30 | [5] | -...R | |

- 1) -...L The sum of the cable length on the left and cable length on the right must not exceed 30 m
- 2) 3 Only with connection technology on the right, LE
- 3) G, W Not in combination with connection technology on the right, controller side LE
- 4) 4 Only with connection technology on the right M8 or M12
- 5) -...R The sum of the cable length on the left and cable length on the right must not exceed 30 m
Mandatory specification in combination with cable outlet on the right, W
Mandatory specification in combination with connection technology on the right, controller side LE

Data sheet

Distributor NEDY-L2R1-V1-Z4

- Dual distributor
- With LED indicator for signal status for connecting valves
- With LED indicator for signal status and holding current reduction for connecting valves without holding current reduction



| General technical data | |
|-------------------------|--|
| Design | Y-distributor |
| Distributor type | Y type |
| Type of mounting | Via accessories, via through-hole for M2 screw |
| Cable designation | Via inscription label holder (optional) |
| Based on standard | EN 61076-2-101, EN 61076-2-104 |
| Electrical connection 2 | |
| Function | Field device side |
| Connection type | 2x socket |
| Cable outlet | Angled |
| Design | Rectangular |
| Connection technology | Plug pattern ZC, metric screw |
| Number of pins/wires | 2 |
| Assigned pins/wires | 2 |
| Display | Yellow LED, signal status indication |
| Additional function | Holding current reduction |

| Technical data – Electrical components | | |
|--|--------|---------------|
| Operating voltage range | [V DC] | 20.4 ... 26.4 |
| Surge resistance | [kV] | 0.8 |
| Acceptable current load at 40°C | [A] | 1 |
| Pollution degree | | 3 |

| Technical data – Cable | | |
|---|--|--|
| | Field device side | Controller side |
| Cable diameter | [mm] | 2.9 |
| Conductor nominal cross section | [mm ²] | 0.14 |
| Cable characteristic | Suitable for use with energy chains/robot applications | Suitable for use with energy chains/robot applications |
| Note on cable characteristics | Standard for field device side | – |
| Cable test conditions | Resistance to bending: to Festo standard; test conditions on request • Energy chain: 5 million cycles, bending radius 28 mm • Torsional strength: > 300000 cycles, ±270°/0.1 m | Resistance to bending: to Festo standard; test conditions on request • Energy chain: 5 million cycles, bending radius 28 mm • Torsional strength: > 300000 cycles, ±270°/0.1 m |
| Note on cable test conditions | • For standard cable characteristics: energy chain: 1.5 million cycles, bending radius 75 mm, flexural strength: as per Festo standard, test conditions on request | – |
| Bending radius, flexible cable installation | [mm] | 30 |
| | | 39 |

Data sheet

Technical data – Electrical connection 1

| | | | |
|-----------------------|-------------------|-------------------|----------|
| Function | Controller side | | |
| Connection type | Plug | | Open end |
| Cable outlet | Straight, angled | Straight, angled | – |
| Design | Round | Round | – |
| Connection technology | M8x1, A-coded | M12x1, A-coded | – |
| Number of pins/wires | 4 | 4 | 3 |
| Assigned pins/wires | 3 | 3 | 3 |
| Display | – | – | – |
| Based on standard | To EN 61076-2-104 | To EN 61076-2-101 | – |

Materials

| | |
|---------------------|---|
| Housing | PA, TPE-U(PUR) |
| Housing colour | Black |
| Threaded sleeve | Nickel-plated brass |
| Pin contacts | Gold-plated copper alloy, tin-plated copper alloy |
| Cable sheath | TPE-U(PUR) |
| Cable sheath colour | Grey |
| Note on materials | Free of copper and PTFE RoHS-compliant |
| PWIS conformity | VDMA24364-B2-L |

Operating and environmental conditions

| | | |
|--|------|--|
| Ambient temperature | [°C] | –10 ... +50 |
| Note on ambient temperature | [°C] | –10 ... +40 with mounting via through-hole |
| Ambient temperature with flexible cable installation | [°C] | –5 ... +50 |
| Storage temperature | [°C] | –10 ... +50 |
| CE marking (see declaration of conformity) ¹⁾ | | To EU EMC Directive |
| | | To EU RoHS Directive |
| Certification | | RCM |
| Degree of protection | | IP65 |
| Corrosion resistance class CRC ²⁾ | | 3 |

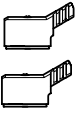
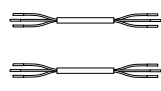
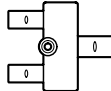
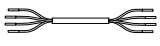
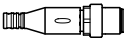
1) For information about the area of use, see the EC declaration of conformity at: www.festo.com/catalogue/medy → Support/Downloads.

If the devices are subject to usage restrictions in residential, commercial or light-industrial environments, further measures for the reduction of the emitted interference may be necessary.

2) Corrosion resistance class CRC 3 to Festo standard FN 940070

High corrosion stress. Outdoor exposure under moderate corrosive conditions. External visible parts with primarily functional surface requirements which are in direct contact with a normal industrial environment.

Product weight

| | | | | | | | | | |
|---|---|---|----|---|----|--|------|---|------|
|  | |  | |  | |  | |  | |
| 2x socket [g] | | 2x cable [g/m] | | Distributor [g] | | Cable [g/m] | | Plug [g] | |
| Plug pattern ZC | 5 | 2-wire | 21 | With cable outlet | 10 | 3-wire | 19.5 | M8x1 | 4.5 |
| | | | | With plug M12x1 | 17 | | | M12x1, straight | 12 |
| | | | | With plug M8x1 | 7 | | | M12x1, angled | 12.5 |
| | | | | With socket M8x1 | 8 | | | Open end | 0 |

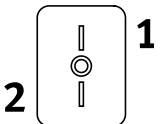
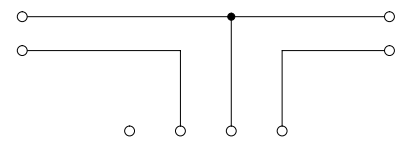
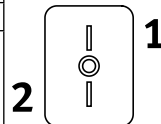
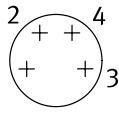
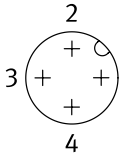
The weight of the individual components must be added together to determine the overall weight:
socket + length x cable + distributor + length x cable + plug

Example:

NEDY-L2R1-V1-Z4W2L-U-3L-LE3-10R

5 g + 3x 21 g + 10 g + 10x 19.5 g + 0 g = 273 g

Data sheet

| Circuitry (socket/plug view) | | Pin | Wire colour ¹⁾ | Wiring allocation | Wire colour ¹⁾ | Pin | Connection no. 2 | | |
|---|---|---|--|-------------------|---------------------------|---|------------------|----|--|
|  | 1 | BK |  | BK | 1 |  | | | |
| | 2 | BK | | BK | 2 | | | | |
| | | | Wire colour ¹⁾ | - | BK | | BU | BN | |
| | | | Pin | 1 | 4 | | 3 | 2 | |
| | | Plug M8x1 | | | | | | | |
| | |  | | | | | | | |
| | | Plug M12x1 | | | | | | | |
| | |  | | | | | | | |

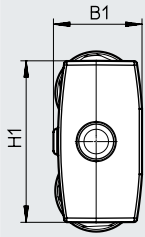
1) To IEC 757

Data sheet

Dimensions

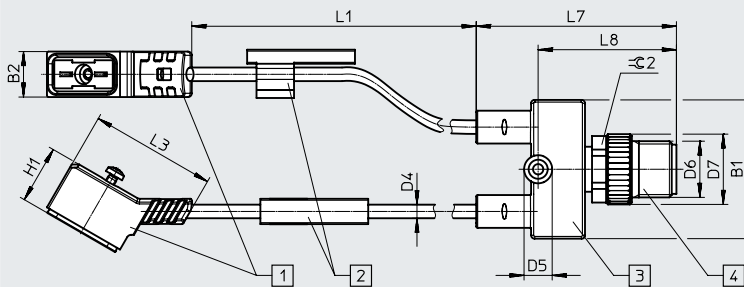
Download CAD data → www.festo.com

Distributor body front view



| | | | |
|-----------------------------|--|------|------|
| Distributor body front view | | B1 | H1 |
| Size 1: | • Y-distributor with cable on field device side and plug M8x1 | 12 | 21 |
| Size 2: | • Y-distributor with cable on field device side and plug M12x1 • Y-distributor with cable on both sides | 16.2 | 29.6 |

Y-distributor with cable on field device side



[1] Socket, field device side [2] Inscription label [3] Distributor [4] Plug, controller side

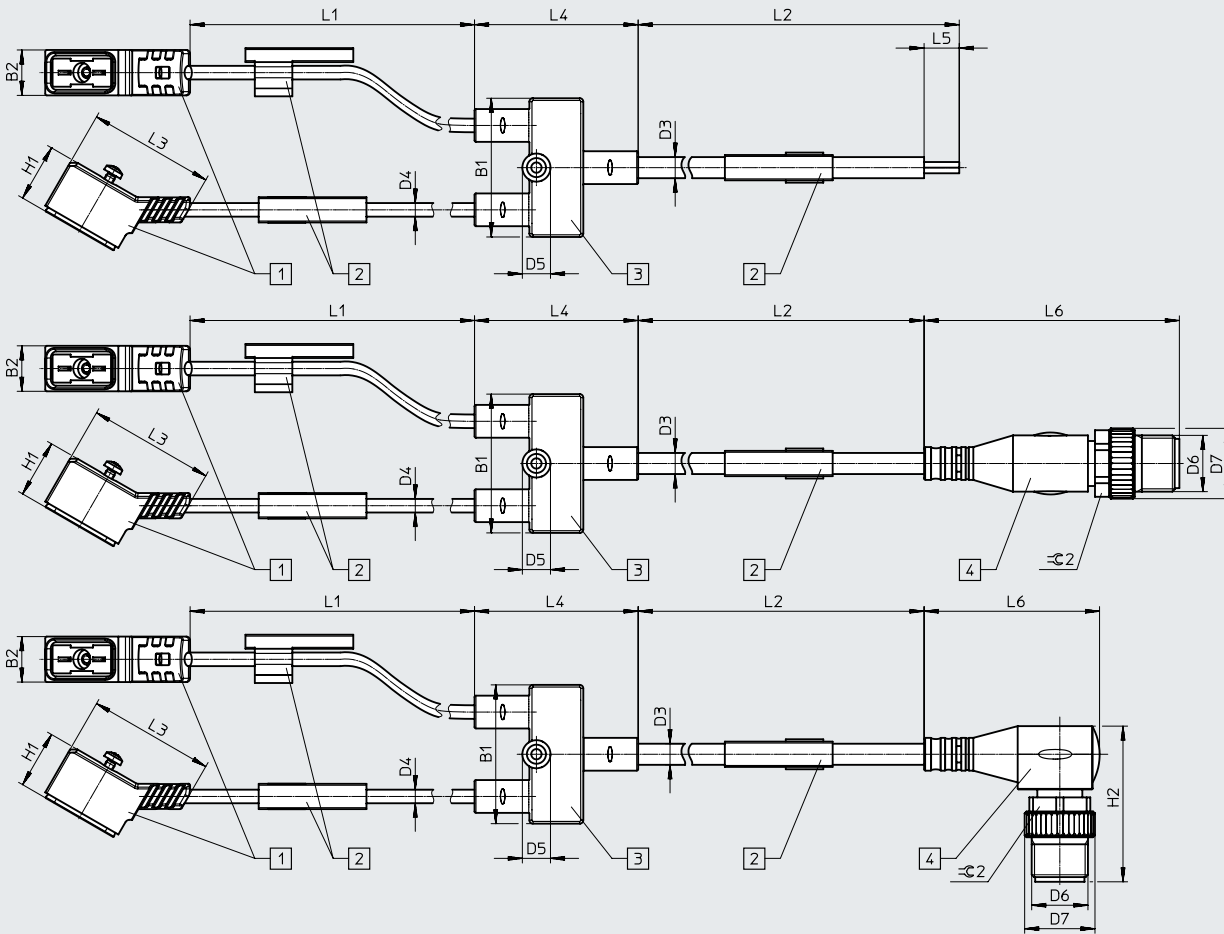
| Electrical connection, controller side | B1 | B2 | D4 ∅ | D5 ∅ | D6 | D7 ∅ | H1 | L1 | L3 | L7 | L8 | ±2 |
|--|------|-----|---------|---------|-----|---------|----|---------------|------|------|------|-------|
| Plug M8x1 | 21 | 9.7 | 2.9 | 2.2 | M8 | 10 | 12 | 300 ... 30000 | 26.9 | 35 | 21.6 | 9 mm |
| Plug M12x1 | 29.6 | 9.7 | 2.9 | 2.2 | M12 | 15 | 12 | 300 ... 30000 | 26.9 | 42.7 | 29.5 | 13 mm |

Data sheet

Dimensions

Download CAD data → www.festo.com

Y-distributor with cable on both sides



[1] Socket, field device side

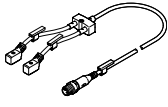
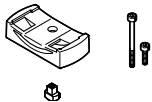
[2] Inscription label

[3] Distributor

[4] Plug, controller side

| Electrical connection, controller side | B1 | B2 | D3 ∅ | D4 ∅ | D5 ∅ | D6 | H1 | H2 | L1 | L2 | L3 | L4 | L5 | L6 | ±0.2 |
|--|------|-----|---------|---------|---------|-----|----|------|--------------------|--------------------|------|------|------|------|-------|
| Open cable end | 29.6 | 9.7 | 3.8 | 2.9 | 2.2 | - | 12 | - | (300 ... 30000)-L2 | (300 ... 30000)-L1 | 26.9 | 34.9 | 50 | - | - |
| Plug M8x1 | 29.6 | 9.7 | 3.8 | 2.9 | 2.2 | M8 | 12 | - | (300 ... 30000)-L2 | (300 ... 30000)-L1 | 26.9 | 34.9 | - | 41.1 | 9 mm |
| | | | | | | | | 24 | | | | | 26.9 | | |
| Plug M12x1 | 29.6 | 9.7 | 3.8 | 2.9 | 2.2 | M12 | 12 | - | (300 ... 30000)-L2 | (300 ... 30000)-L1 | 26.9 | 34.9 | - | 54.5 | 13 mm |
| | | | | | | | | 33.2 | | | | | 37.5 | | |

Data sheet

| Ordering data | | | | | | | |
|--|---------------------|--|---|---------------------|----------------|--------------------|--|
| | Field device side | | Controller side | | Weight [g] | Part no. | Type |
| | Cable length [m] | | Electrical connection | Cable length [m] | | | |
| Y-distributor with cables on both sides, with holding current reduction | | | | | | | |
|  | 0.3 | | Plug, straight, M8x1 | 2.5 | 82 | 8035789 | NEDY-L2R1-V1-Z4W2Z-U-0.3L-M8G4-2.5R |
| | | | | 5 | 131 | 8035790 | NEDY-L2R1-V1-Z4W2Z-U-0.3L-M8G4-5R |
| | 0.3 | | Plug, straight, M12x1 | 2.5 | 90 | 8035787 | NEDY-L2R1-V1-Z4W2Z-U-0.3L-M8G4-2.5R |
| | | | | 5 | 139 | 8035788 | NEDY-L2R1-V1-Z4W2Z-U-0.3L-M12G4-5R |
| Ordering data – Accessories | | | | | | | |
|  | Mounting for T-slot | | <ul style="list-style-type: none"> • For Y-distributor with cable on field device side and plug M8x1 • For Y-distributor with cable on field device side and plug M12x1 • For Y-distributor with cable on both sides | | | | |
| | | | | | 8032868 | NEAU-A-N8-1 | |
| | | | | | 8032869 | NEAU-A-N8-2 | |

Ordering data – Modular product system

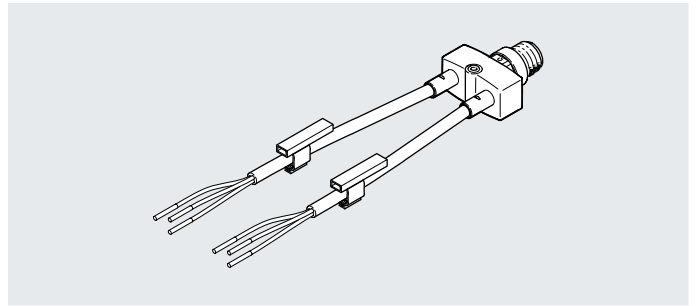
| Ordering table | | Condi- tions | Code | Enter code |
|--|--|-----------------|--------------|---------------|
| Module no. | 8032867 | | | |
| Distributor | Sensor/actuator distributors | | NEDY | NEDY |
| Distributor type | Y type | | -L2R1 | -L2R1 |
| Wiring allocation | Standard variant (see circuit diagram, standard) | | -V1 | -V1 |
| Connection technology on the left, field device side | Socket, plug pattern ZC, metric screw | | -Z4 | -Z4 |
| Cable outlet on the left | Angled | | W | W |
| Number of pins/wires on the left | 2-pin | | 2 | 2 |
| Display | Signal status LED (for valves only) | | L | |
| | Signal status, holding current reduction LED (only for valves) | | Z | |
| Cable characteristic | Suitable for use with energy chains/robot applications | | -U | -U |
| Cable length on the left [m] | 0.3 ... 30 | [1] | -...L | |
| Cable designation | With inscription label holder | | | |
| | Without inscription label holder | | -N | |
| Connection technology on the right, controller side | Open end | | -LE | |
| | Plug M8x1, A-coded, EN 61076-2-104 | | -M8 | |
| | Plug M12x1, A-coded, EN 61076-2-101 | | -M12 | |
| Cable outlet on the right | None | [2] | | |
| | Straight | [3] | G | |
| | Angled | [3] | W | |
| Number of pins/wires on the right | 3-pin | [2] | 3 | |
| | 4-pin | [4] | 4 | |
| Cable length on the right [m] | None | | | |
| | 0.3 ... 30 | [5] | -...R | |

- 1) -...L The sum of the cable length on the left and cable length on the right must not exceed 30 m
- 2) 3 Only with connection technology on the right, LE
- 3) G, W Not in combination with connection technology on the right, controller side LE
- 4) 4 Only with connection technology on the right M8 or M12
- 5) -...R The sum of the cable length on the left and cable length on the right must not exceed 30 m
Mandatory specification in combination with cable outlet on the right, W
Mandatory specification in combination with connection technology on the right, controller side LE

Data sheet

Distributor NEDY-L2R1-V1-LE

- Dual distributor
- For self-assembly



| General technical data | |
|-------------------------|--|
| Design | Y-distributor |
| Distributor type | Y type |
| Type of mounting | Via accessories, via through-hole for M2 screw |
| Cable designation | Via inscription label holder (optional) |
| Based on standard | EN 61076-2-101, EN 61076-2-104 |
| Electrical connection 2 | |
| Function | Field device side |
| Connection type | 2x open end |
| Number of pins/wires | 3 |
| Assigned pins/wires | 3 |
| Display | None |

| Technical data – Electrical components | | | | |
|--|--------|-----------|------------|----------|
| Electrical connection 1 | | Plug M8x1 | Plug M12x1 | Open end |
| Operating voltage range | [V DC] | 0 ... 30 | 0 ... 30 | 0 ... 30 |
| | [V AC] | 0 ... 30 | 0 ... 30 | 0 ... 30 |
| Surge resistance | [kV] | 0.8 | 0.8 | 0.8 |
| Acceptable current load at 40°C | [A] | 3 | 4 | 4 |
| Pollution degree | | 3 | 3 | 3 |

| Technical data – Cable | | |
|---|--|--|
| | Field device side | Controller side |
| Cable diameter | [mm] 3.8 | 4.5 |
| Conductor nominal cross section | [mm ²] 0.25 | 0.25 |
| Cable characteristic | Suitable for use with energy chains/robot applications | Suitable for use with energy chains/robot applications |
| Cable test conditions | Resistance to bending: to Festo standard; test conditions on request • Energy chain: 5 million cycles, bending radius 28 mm • Torsional strength: > 300000 cycles, ±270°/0.1 m | Resistance to bending: to Festo standard; test conditions on request • Energy chain: 5 million cycles, bending radius 28 mm • Torsional strength: > 300000 cycles, ±270°/0.1 m |
| Bending radius, flexible cable installation | [mm] 39 | 46 |

Data sheet

| Technical data – Electrical connection 1 | | | |
|--|-------------------|-------------------|----------|
| Function | Controller side | | |
| Connection type | Plug | | Open end |
| Cable outlet | Straight, angled | Straight, angled | – |
| Design | Round | Round | – |
| Connection technology | M8x1, A-coded | M12x1, A-coded | – |
| Number of pins/wires | 4 | 4 | 4 |
| Assigned pins/wires | 4 | 4 | 4 |
| Display | – | – | – |
| Based on standard | To EN 61076-2-104 | To EN 61076-2-101 | – |

| Materials | |
|---------------------|--|
| Housing | PA, TPE-U(PUR) |
| Housing colour | Black |
| Threaded sleeve | Nickel-plated brass |
| Seals | NBR |
| Pin contacts | Gold-plated copper alloy |
| Cable sheath | TPE-U(PUR) |
| Cable sheath colour | Grey |
| Note on materials | Free of copper and PTFE RoHS-compliant Free of halogen and phosphoric acid ester |
| PWIS conformity | VDMA24364-B2-L |

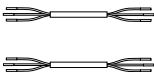
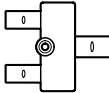


| Operating and environmental conditions | | |
|--|------|--|
| Ambient temperature | [°C] | –25 ... +80 |
| Note on ambient temperature | [°C] | –10 ... +40 with mounting via through-hole |
| Ambient temperature with flexible cable installation | [°C] | –20 ... +80 |
| Storage temperature | [°C] | –25 ... +80 |
| Degree of protection | | IP65/IP68, IP69K |
| CE marking (see declaration of conformity) ¹⁾ | | To EU RoHS Directive |
| Corrosion resistance class CRC ²⁾ | | 4 |

1) For information about the area of use, see the EC declaration of conformity at: www.festo.com/catalogue/medy → Support/Downloads.

If the devices are subject to usage restrictions in residential, commercial or light-industrial environments, further measures for the reduction of the emitted interference may be necessary.

2) Corrosion resistance class CRC 4 to Festo standard FN 940070

Particularly high corrosion stress. Particularly high corrosion stress. Outdoor exposure under extreme corrosive conditions. Parts exposed to aggressive media, for instance in the chemical or food industries. Such applications may need to be safeguarded by special testing (d auch FN 940082), using appropriate media.

| Product weight | | | | | |
|----------------|---|---|----|---|-----------------|
| | |  | |  | |
| | |  | |  | |
| – | | 2x cable [g/m] | | Distributor [g] | |
| – | – | 3-wire | 41 | With cable outlet | 10 |
| | | | | With plug M12x1 | 17 |
| | | | | With plug M8x1 | 7 |
| | | | | | |
| | | | | Cable [g/m] | Plug [g] |
| | | | | 4-wire | 26.5 |
| | | | | | M8x1 |
| | | | | | M12x1, straight |
| | | | | | M12x1, angled |
| | | | | | Open end |

The weight of the individual components must be added together to determine the overall weight:
socket + length x cable + distributor + length x cable + plug

Example:

NEDY-L2R1-V1-LE3-U-3L-LE4-10R

0 g + 3x 41 g + 10 g + 10x 26.5 g + 0 g = 398 g

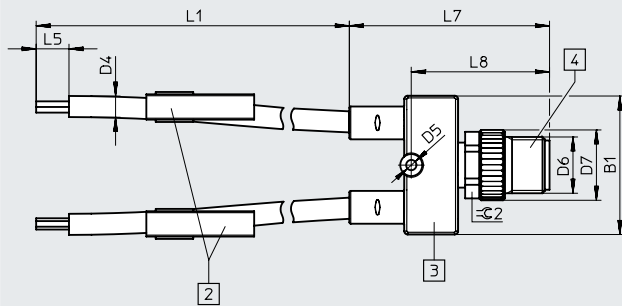
Data sheet

| Circuitry (socket/plug view) | | Wiring allocation | | | | Wire colour ¹⁾ | | Connection no. 2 | |
|------------------------------|-----|---------------------------|---------------------------|----|----|---------------------------|---------------------------|------------------|------------------|
| Connection no. 4 | Pin | Wire colour ¹⁾ | | | | | Wire colour ¹⁾ | Pin | Connection no. 2 |
| | - | BN | | | | | BN | - | |
| | - | BU | | | | | BN | - | |
| | - | BK | | | | | BU | - | |
| | | | Wire colour ¹⁾ | BN | BK | BU | WH | | |
| | | | Pin | 1 | 4 | 3 | 2 | | |
| | | | Plug M8x1 | | | | | | |
| | | | | | | | | | |
| | | | Plug M12x1 | | | | | | |
| | | | | | | | | | |

1) To IEC 757

Dimensions

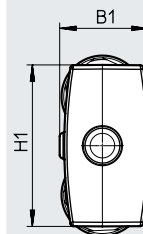
Y-distributor with cable on field device side



[2] Inscription label [3] Distributor [4] Plug, controller side

Download CAD data → www.festo.com

Distributor body front view



| Electrical connection, controller side | B1 | D4 ∅ | D5 ∅ | D6 | D7 ∅ | L1 | L5 | L7 | L8 | ⊕ 2 |
|--|------|---------|---------|-----|---------|---------------|----|------|------|-------|
| Plug M8x1 | 21 | 3.8 | 2.2 | M8 | 10 | 300 ... 30000 | 50 | 35 | 21.6 | 9 mm |
| Plug M12x1 | 29.6 | 3.8 | 2.2 | M12 | 15 | 300 ... 30000 | 50 | 42.7 | 29.5 | 13 mm |

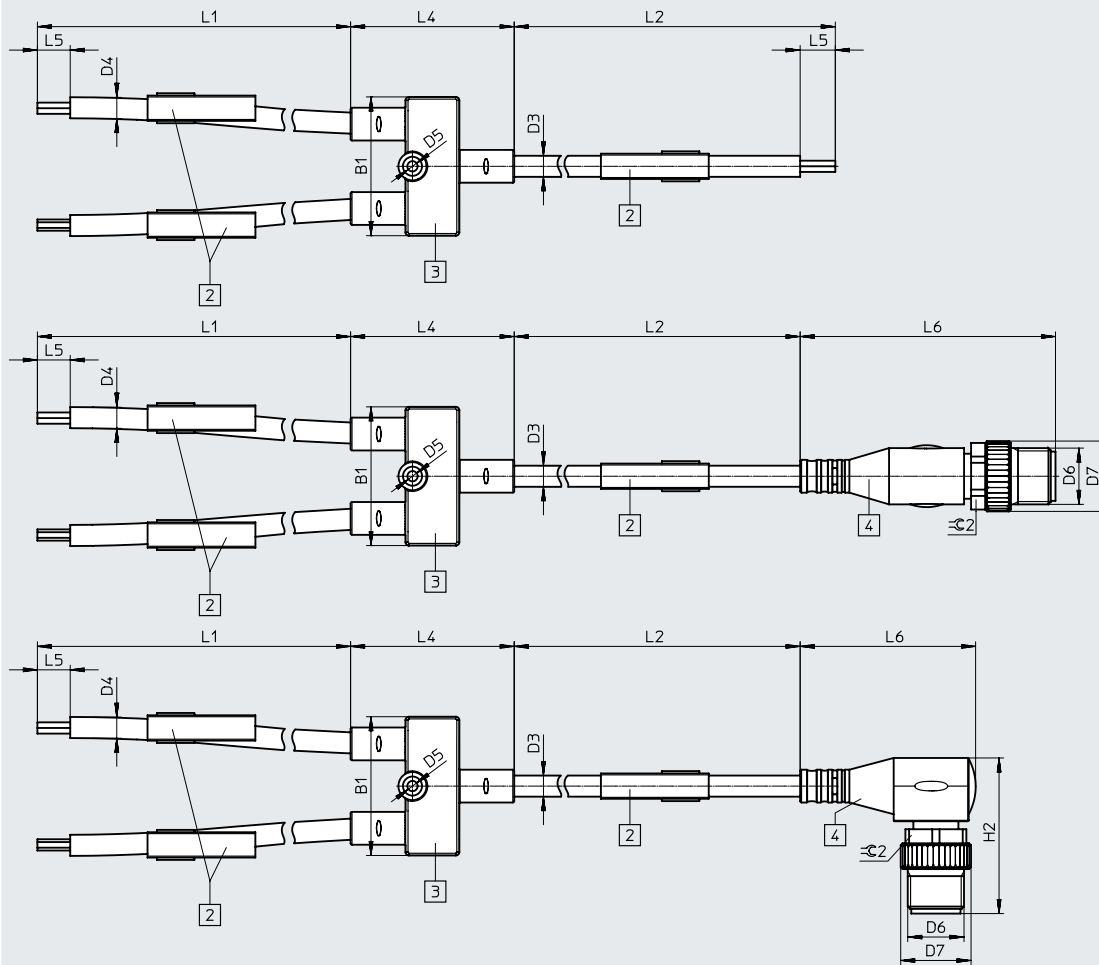
| Distributor body front view | | B1 | H1 |
|-----------------------------|--|------|------|
| Size 1: | • Y-distributor with cable on field device side and plug M8x1 | 12 | 21 |
| Size 2: | • Y-distributor with cable on field device side and plug M12x1 • Y-distributor with cable on both sides | 16.2 | 29.6 |

Data sheet

Dimensions

Download CAD data → www.festo.com

Y-distributor with cable on both sides



[2] Inscription label

[3] Distributor

[4] Plug, controller side

| Electrical connection, controller side | | B1 | D3 ∅ | D4 ∅ | D5 ∅ | D6 | D7 | H2 | L1 | L2 | L4 | L5 | L6 | ⊕ 2 |
|--|----------|------|---------|---------|---------|-----|----|------|--------------------|--------------------|------|----|------|-------|
| Open cable end | | 29.6 | 4.5 | 3.8 | 2.2 | - | - | - | (300 ... 30000)-L2 | (300 ... 30000)-L1 | 34.9 | 50 | - | - |
| Plug M8x1 | Straight | 29.6 | 4.5 | 3.8 | 2.2 | M8 | 10 | - | (300 ... 30000)-L2 | (300 ... 30000)-L1 | 34.9 | 50 | 41.1 | 9 mm |
| | Angled | 29.6 | 4.5 | 3.8 | 2.2 | M8 | 10 | 24 | (300 ... 30000)-L2 | (300 ... 30000)-L1 | 34.9 | 50 | 26.9 | 9 mm |
| Plug M12x1 | Straight | 29.6 | 4.5 | 3.8 | 2.2 | M12 | 15 | - | (300 ... 30000)-L2 | (300 ... 30000)-L1 | 34.9 | 50 | 54.5 | 13 mm |
| | Angled | 29.6 | 4.5 | 3.8 | 2.2 | M12 | 15 | 33.2 | (300 ... 30000)-L2 | (300 ... 30000)-L1 | 34.9 | 50 | 37.5 | 13 mm |

Ordering data – Accessories

| | | | Part no. | Type |
|--|---------------------|--|----------|-------------|
| | Mounting for T-slot | • For Y-distributor with cable on field device side and plug M8x1 | 8032868 | NEAU-A-N8-1 |
| | | • For Y-distributor with cable on field device side and plug M12x1 | 8032869 | NEAU-A-N8-2 |
| | | • For Y-distributor with cable on both sides | | |

Ordering data – Modular product system

| Ordering table | | Condi- tions | Code | Enter code |
|--|--|-----------------|--------------|---------------|
| Module no. | 8032867 | | | |
| Distributor | Sensor/actuator distributors | | NEDY | NEDY |
| Distributor type | Y type | | -L2R1 | -L2R1 |
| Wiring allocation | Standard variant (see circuit diagram, standard) | | -V1 | -V1 |
| Connection technology on the left, field device side | Open end | | -LE | -LE |
| Number of pins/wires on the left | 3-pin | | 3 | 3 |
| Cable characteristic | Suitable for use with energy chains/robot applications | | -U | -U |
| Cable length on the left [m] | 0.3 ... 30 | [1] | -...L | |
| Cable designation | With inscription label holder | | | |
| | Without inscription label holder | | -N | |
| Connection technology on the right, controller side | Open end | | -LE | |
| | Plug M8x1, A-coded, EN 61076-2-104 | | -M8 | |
| | Plug M12x1, A-coded, EN 61076-2-101 | | -M12 | |
| Cable outlet on the right | None | | | |
| | Straight | [2] | G | |
| | Angled | [2] | W | |
| Number of pins/wires on the right | 4-pin | | 4 | 4 |
| Cable length on the right [m] | None | | | |
| | 0.3 ... 30 | [3] | -...R | |

- 1) -...L The sum of the cable length on the left and cable length on the right must not exceed 30 m
- 2) G, W Not in combination with connection technology on the right, controller side LE
- 3) -...R The sum of the cable length on the left and cable length on the right must not exceed 30 m
Mandatory specification in combination with cable outlet on the right, W
Mandatory specification in combination with connection technology on the right, controller side LE