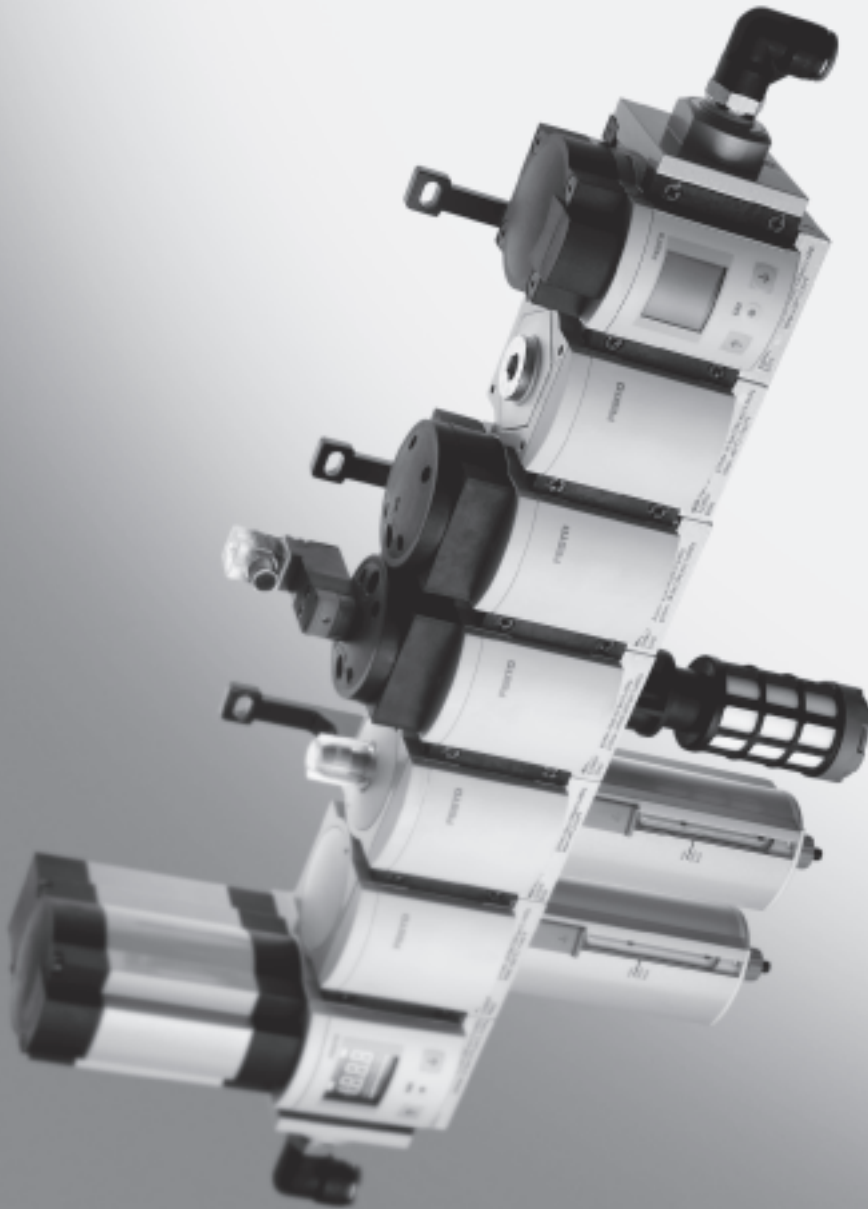


Wide range of configuration options

→ www.festo.com/en/engineering



- Easy to assemble thanks to a modular structure
- Three sizes:
 - MS4 – grid dimension 40 mm
 - MS6 – grid dimension 62 mm
 - MS12 – grid dimension 124 mm
- 8 connection sizes: G¹/₈ to G2
- Modern design
- Compact with high flow rates: up to 22,000 l/min with size MS12
- Integrated safety functions
- Broad range of functions: Individual components, preassembled combinations ex-stock, application-specific combinations or complete turnkey solutions

Specified types in accordance with ATEX directive for potentially explosive atmospheres

→ www.festo.com/en/ex

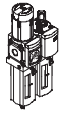
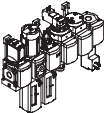








MS series service units

Product range overview



MS series service units

1

Type	Size	Pneumatic connection in housing	Connecting plate	Pressure regulation range [bar]						Grade of filtration [µm]			
				0.05	0.05	0.1	0.3	0.1	0.5				
				0.01	1	5	40
Code			AG...	D2	D4	D5	D6	D7	D8	A	B	C	E
Service units													
MSB-FRC 	4	G1/8, G1/4	G1/8, G1/4, G3/8	-	-	-	■	■	-	-	-	■	■
	6	G1/4, G3/8, G1/2	G1/4, G3/8, G1/2, G3/4	-	-	-	■	■	-	-	-	■	■
	12	-											
Service unit combinations (further variants can be ordered using the configurator → www.festo.com/en/engineering)													
MSB 	4	G1/4	G1/8, G1/4, G3/8	-	-	-	■	■	-	-	-	■	■
	6	G1/2	G1/4, G3/8, G1/2, G3/4	-	-	-	■	■	-	-	-	■	■
	12	-											
Individual devices													
Filter regulators MS-LFR 	4	G1/8, G1/4	G1/8, G1/4, G3/8	-	-	■	■	■	-	-	-	■	■
	6	G1/4, G3/8, G1/2	G1/4, G3/8, G1/2, G3/4	-	-	■	■	■	■	-	-	■	■
	12	-	G1, G1 1/4, G1 1/2, G2	-	-	-	■	■	■	-	-	■	■
Filters MS-LF 	4	G1/8, G1/4	G1/8, G1/4, G3/8	-	-	-	-	-	-	-	-	■	■
	6	G1/4, G3/8, G1/2	G1/4, G3/8, G1/2, G3/4	-	-	-	-	-	-	-	-	■	■
	12	-	G1, G1 1/4, G1 1/2, G2	-	-	-	-	-	-	-	-	■	■
Fine and micro filters MS-LFM 	4	G1/8, G1/4	G1/8, G1/4, G3/8	-	-	-	-	-	-	■	■	-	-
	6	G1/4, G3/8, G1/2	G1/4, G3/8, G1/2, G3/4	-	-	-	-	-	-	■	■	-	-
	12	-	G1, G1 1/4, G1 1/2, G2	-	-	-	-	-	-	■	■	-	-
Active carbon filter MS-LFX 	4	G1/8, G1/4	G1/8, G1/4, G3/8	-	-	-	-	-	-	-	-	-	-
	6	G1/4, G3/8, G1/2	G1/4, G3/8, G1/2, G3/4	-	-	-	-	-	-	-	-	-	-
	12	-	G1, G1 1/4, G1 1/2, G2	-	-	-	-	-	-	-	-	-	-
Pressure regulators MS-LR 	4	G1/8, G1/4	G1/8, G1/4, G3/8	-	-	■	■	■	-	-	-	-	-
	6	G1/4, G3/8, G1/2	G1/4, G3/8, G1/2, G3/4	-	-	■	■	■	■	-	-	-	-
	12	-	G1, G1 1/4, G1 1/2, G2	-	-	-	■	■	■	-	-	-	-
Pressure regulators MS-LRB 	4	G1/4	G1/8, G1/4, G3/8	-	-	■	■	■	-	-	-	-	-
	6	G1/2	G1/4, G3/8, G1/2, G3/4	-	-	■	■	■	■	-	-	-	-
	12	-											
Precision pressure regulators MS-LRP 	4	-											
	6	G1/4, G3/8, G1/2	G1/4, G3/8, G1/2, G3/4	■	■	■	-	■	-	-	-	-	-
	12	-											
Precision pressure regulators MS-LRPB 	4	-											
	6	G1/2	G1/4, G3/8, G1/2, G3/4	■	■	■	-	■	-	-	-	-	-
	12	-											

MS series service units

Product range overview



Type	Size	Bowl guard		Condensate drain				Pressure display				Actuator lock		Options		→Page	
		Plastic bowl guard	Metal bowl	Manual rotary	Semi-automatic	Fully automatic	External, fully automatic, electrical	Cover plate (without pressure gauge)	Integrated MS pressure gauge	Adapter plate for EN pressure gauge G 1/8	Adapter plate for EN pressure gauge G 1/4	Pressure sensor with display	Rotary knob, lockable	Rotary knob, long	Silencer		Flow direction from right to left
Code		R	U	M	H	V	E...	VS	AG	A8	A4	AD...	AS	LD	S	Z	
Service units																	
MSB-FRC	4	■	-	■	-	■	-	-	■	-	-	-	■	-	-	■	2-2
	6	■	■	■	-	■	-	-	■	-	-	-	■	-	-	■	
	12	-	-	-	-	-	-	-	-	-	-	-	-	-	-	-	
Service unit combinations																	
MSB	4	■	■	■	-	■	-	-	■	-	-	-	■	-	-	■	2-2
	6	■	■	■	-	■	-	-	■	-	-	-	■	-	-	■	
	12	-	-	-	-	-	-	-	-	-	-	-	-	-	-	-	
Individual devices																	
Filter regulators MS-LFR	4	■	■	■	■	■	-	■	■	■	■	■	■	■	-	■	3-2
	6	■	■	■	■	■	■	■	■	-	■	■	■	■	-	■	
	12	-	■	■	-	■	■	■	■	-	■	-	■	■	-	■	3-18
Filters MS-LF	4	■	■	■	■	■	-	-	-	-	-	-	-	-	-	■	4-2, 4-4
	6	■	■	■	■	■	■	-	-	-	-	-	-	-	-	■	
	12	-	■	■	-	■	■	-	-	-	-	-	-	-	-	■	4-32, 4-34
Fine and micro filters MS-LFM	4	■	■	■	■	■	-	-	-	-	-	-	-	-	-	■	4-2, 4-12
	6	■	■	■	■	■	■	-	-	-	-	-	-	-	-	■	
	12	-	■	■	-	■	■	-	-	-	-	-	-	-	-	■	4-32, 4-39
Active carbon filter MS-LFX	4	■	■	-	-	-	-	-	-	-	-	-	-	-	-	■	4-2, 4-24
	6	■	■	-	-	-	-	-	-	-	-	-	-	-	-	■	
	12	-	■	-	-	-	-	-	-	-	-	-	-	-	-	■	4-32, 4-46
Pressure regulators MS-LR	4	-	-	-	-	-	-	■	■	■	■	■	■	■	-	■	5-2
	6	-	-	-	-	-	-	■	■	-	■	■	■	■	-	■	
	12	-	-	-	-	-	-	■	■	-	■	-	■	■	-	■	5-66
Pressure regulators MS-LRB	4	-	-	-	-	-	-	■	■	■	■	■	■	■	-	■	5-14
	6	-	-	-	-	-	-	■	■	-	■	■	■	■	-	■	
	12	-	-	-	-	-	-	-	-	-	-	-	-	-	-	-	
Precision pressure regulators MS-LRP	4	-	-	-	-	-	-	■	-	■	■	■	■	■	-	■	5-26
	6	-	-	-	-	-	-	■	-	■	■	■	■	■	-	■	
	12	-	-	-	-	-	-	-	-	-	-	-	-	-	-	-	
Precision pressure regulators MS-LRPB	4	-	-	-	-	-	-	■	-	■	■	■	■	■	-	■	5-40
	6	-	-	-	-	-	-	■	-	■	■	■	■	■	-	■	
	12	-	-	-	-	-	-	-	-	-	-	-	-	-	-	-	

MS series service units

Product range overview



MS series service units

1

Type	Size	Pneumatic connection in housing	Connecting plate	Pressure regulation range [bar]				Supply voltage				
				0.3 ... 4	0.3 ... 7	0.5 ... 12	0.5 ... 16	24 V DC, connection pattern to EN 175301	24 V DC, connection pattern M12 to DESINA	110 V AC, connection pattern to EN 175301	230 V AC, connection pattern to EN 175301	
Code			AG...	D5	D6	D7	D8	V24	V24P	V110	V230	
Individual devices												
Electrical pressure regulators MS-LRE		4	–									
		6	G $\frac{1}{4}$, G $\frac{3}{8}$, G $\frac{1}{2}$	G $\frac{1}{4}$, G $\frac{3}{8}$, G $\frac{1}{2}$, G $\frac{3}{4}$	■	■	■	■	–	–	–	–
		12	–									
Lubricator MS-LOE		4	G $\frac{1}{8}$, G $\frac{1}{4}$	G $\frac{1}{8}$, G $\frac{1}{4}$, G $\frac{3}{8}$	–	–	–	–	–	–	–	–
		6	G $\frac{1}{4}$, G $\frac{3}{8}$, G $\frac{1}{2}$	G $\frac{1}{4}$, G $\frac{3}{8}$, G $\frac{1}{2}$, G $\frac{3}{4}$	–	–	–	–	–	–	–	–
		12	–	G1, G1 $\frac{1}{4}$, G1 $\frac{1}{2}$, G2	–	–	–	–	–	–	–	–
Manual on-off valves MS-EM(1)		4	G $\frac{1}{8}$, G $\frac{1}{4}$	G $\frac{1}{8}$, G $\frac{1}{4}$, G $\frac{3}{8}$	–	–	–	–	–	–	–	–
		6	G $\frac{1}{4}$, G $\frac{3}{8}$, G $\frac{1}{2}$	G $\frac{1}{4}$, G $\frac{3}{8}$, G $\frac{1}{2}$, G $\frac{3}{4}$	–	–	–	–	–	–	–	–
		12	–	G1, G1 $\frac{1}{4}$, G1 $\frac{1}{2}$, G2	–	–	–	–	–	–	–	–
Electrical on-off valves MS-EE		4	G $\frac{1}{8}$, G $\frac{1}{4}$	G $\frac{1}{8}$, G $\frac{1}{4}$, G $\frac{3}{8}$	–	–	–	–	■	–	■	■
		6	G $\frac{1}{4}$, G $\frac{3}{8}$, G $\frac{1}{2}$	G $\frac{1}{4}$, G $\frac{3}{8}$, G $\frac{1}{2}$, G $\frac{3}{4}$	–	–	–	–	■	–	■	■
		12	–	G1, G1 $\frac{1}{4}$, G1 $\frac{1}{2}$, G2	–	–	–	–	■	■	■	■
Pneumatic soft-start valves MS-DL		4	G $\frac{1}{8}$, G $\frac{1}{4}$	G $\frac{1}{8}$, G $\frac{1}{4}$, G $\frac{3}{8}$	–	–	–	–	–	–	–	–
		6	G $\frac{1}{4}$, G $\frac{3}{8}$, G $\frac{1}{2}$	G $\frac{1}{4}$, G $\frac{3}{8}$, G $\frac{1}{2}$, G $\frac{3}{4}$	–	–	–	–	–	–	–	–
		12	–	G1, G1 $\frac{1}{4}$, G1 $\frac{1}{2}$, G2	–	–	–	–	–	–	–	–
Electrical soft-start valves MS-DE		4	G $\frac{1}{8}$, G $\frac{1}{4}$	G $\frac{1}{8}$, G $\frac{1}{4}$, G $\frac{3}{8}$	–	–	–	–	■	–	■	■
		6	G $\frac{1}{4}$, G $\frac{3}{8}$, G $\frac{1}{2}$	G $\frac{1}{4}$, G $\frac{3}{8}$, G $\frac{1}{2}$, G $\frac{3}{4}$	–	–	–	–	■	–	■	■
		12	–	G1, G1 $\frac{1}{4}$, G1 $\frac{1}{2}$, G2	–	–	–	–	■	■	■	■
Soft start and exhaust valves MS-SV		4	–									
		6	G $\frac{1}{2}$	G $\frac{1}{4}$, G $\frac{3}{8}$, G $\frac{1}{2}$, G $\frac{3}{4}$	–	–	–	–	■	–	–	–
		12	–									
Membrane air dryers MS-LDM1		4	G $\frac{1}{8}$, G $\frac{1}{4}$	G $\frac{1}{8}$, G $\frac{1}{4}$, G $\frac{3}{8}$	–	–	–	–	–	–	–	–
		6	G $\frac{1}{4}$, G $\frac{3}{8}$, G $\frac{1}{2}$	G $\frac{1}{4}$, G $\frac{3}{8}$, G $\frac{1}{2}$, G $\frac{3}{4}$	–	–	–	–	–	–	–	–
		12	–									

MS series service units

Product range overview



Type	Size	Bowl guard		Pressure display					Options		→Page
		Plastic bowl guard	Metal bowl	Cover plate (without pressure gauge)	Integrated MS pressure gauge	Adapter plate for EN pressure gauge G 1/8	Adapter plate for EN pressure gauge G 1/4	Pressure sensor with display	Silencer	Flow direction from right to left	
Individual devices											
Electrical pressure regulators MS-LRE	4	-									5-54
	6	-	-	■	■	-	■	-	-	■	
	12	-									
Lubricator MS-LOE	4	■	■	-	-	-	-	-	-	■	6-2
	6	■	■	-	-	-	-	-	-	■	
	12	-	■	-	-	-	-	-	-	■	6-10
Manual on-off valves MS-EM(1)	4	-	-	■	■	■	■	■	■	■	7-2, 7-5
	6	-	-	■	■	-	■	■	■	■	
	12	-	-	■	■	-	■	-	■	■	7-40, 7-43
Electrical on-off valves MS-EE	4	-	-	■	■	■	■	■	■	■	7-2, 7-10
	6	-	-	■	■	-	■	■	■	■	
	12	-	-	■	■	-	■	-	■	■	7-40, 7-47
Pneumatic soft-start valves MS-DL	4	-	-	■	■	■	■	■	-	■	7-2, 7-18
	6	-	-	■	■	-	■	■	-	■	
	12	-	-	■	■	-	■	-	-	■	7-40, 7-51
Electrical soft-start valves MS-DE	4	-	-	■	■	■	■	■	-	■	7-2, 7-23
	6	-	-	■	■	-	■	■	-	■	
	12	-	-	■	■	-	■	-	-	■	7-40, 7-55
Soft start and exhaust valves MS-SV	4	-									7-30
	6	-	-	■	■	-	■	■	■	■	
	12	-									
Membrane air dryers MS-LDM1	4	-	■	-	-	-	-	-	-	■	8-2
	6	-	■	-	-	-	-	-	-	■	
	12	-									




MS series service units

Product range overview



MS series service units

1

Type	Size	Pneumatic connection in housing	Connecting plate	Pressure regulation range [bar]				Supply voltage				
				0.3	0.3	0.5	0.5	24 V DC, connection pattern to EN 175301	24 V DC, connection pattern M12 to DESINA	110 V AC, connection pattern to EN 175301	230 V AC, connection pattern to EN 175301	
Code			AG...	D5	D6	D7	D8	V24	V24P	V110	V230	
Individual devices												
Branching modules MS-FRM		4	G1/8, G1/4	G1/8, G1/4, G3/8	-	-	-	-	-	-	-	
		6	G1/4, G3/8, G1/2	G1/4, G3/8, G1/2, G3/4	-	-	-	-	-	-	-	
		12	-	G1, G1 1/4, G1 1/2, G2	-	-	-	-	-	-	-	
Distributor blocks MS-FRM-FRZ		4	G1/4	-	-	-	-	-	-	-	-	
		6	G1/2	-	-	-	-	-	-	-	-	
		12	-	-	-	-	-	-	-	-	-	
Flow sensors MS-SFE		4	-	-	-	-	-	-	-	-	-	
		6	G1/2	G1/2	-	-	-	-	-	-	-	
		12	-	-	-	-	-	-	-	-	-	

MS series service units

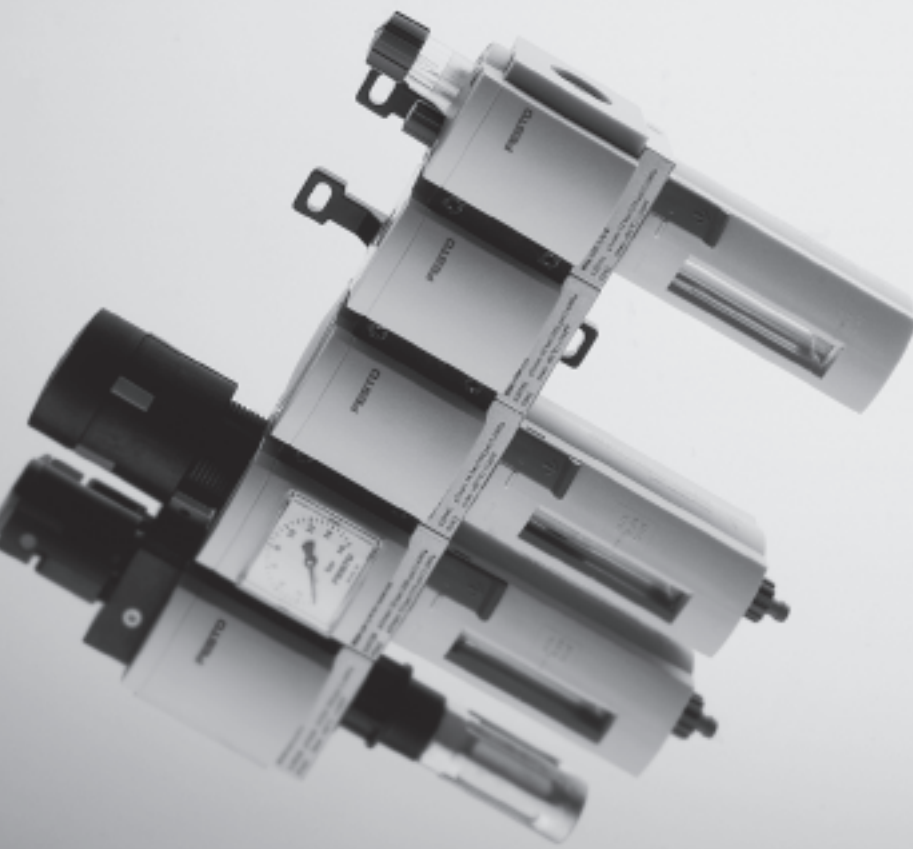
Product range overview



Type	Size	Pressure display					Switch output		Options		→Page
		Cover plate (without pressure gauge)	Integrated MS pressure gauge	Adapter plate for EN pressure gauge G 1/8	Adapter plate for EN pressure gauge G 1/4	Pressure sensor with display	2x PNP	2x NPN	Silencer	Flow direction from right to left	
		VS	AG	A8	A4	AD...	P2	N2	S	Z	
Individual devices											
Branching modules MS-FRM	4	■	■	■	■	■	-	-	-	■	9-2
	6	■	■	-	■	■	-	-	-	■	
	12	■	-	-	-	-	-	-	-	-	9-16
Distributor blocks MS-FRM-FRZ	4	-	-	-	-	-	-	-	-	-	9-12
	6	-	-	-	-	-	-	-	-	-	
	12	-	-	-	-	-	-	-	-	-	
Flow sensors MS-SFE	4	-	-	-	-	-	-	-	-	-	10-2
	6	-	-	-	-	-	■	■	-	■ ¹⁾	
	12	-	-	-	-	-	-	-	-	-	

1) Can only be ordered using the configurator → www.festo.com/en/engineering

Wide range of configuration options
→ www.festo.com/en/engineering

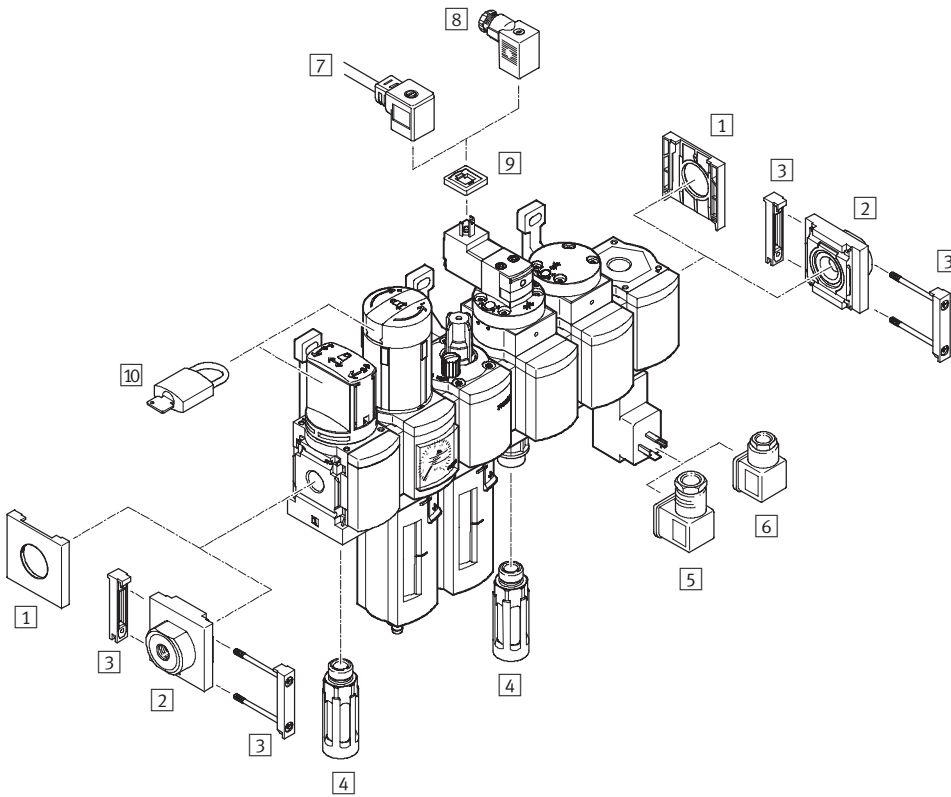



- MS4 – grid
dimension 40 mm
MS6 – grid
dimension 62 mm
- Modular
- Easy to assemble
- Broad range of functions
- Compact with high flow rates
- Modern design
- Wide choice of variants
- Integrated safety functions

Specified types in accordance with
ATEX directive for potentially
explosive atmospheres
→ www.festo.com/en/ex

Service unit combinations MSB4/MSB6, MS series

Peripherals overview



-  - Note
The choice of accessories depends on the selected service unit combination.

Range of accessories
➔ Peripherals pages of the individual devices

Mounting attachments and accessories		➔ Page
1	Cover cap MS4/6-END	11-3
2	Connecting plate MS4/6-AG...	11-2
3	Module connector MS4/6-MV	11-7
4	Silencer U	11-10
5	Angled socket PEV-1/4-WD-LED	11-9
6	Plug socket MSSD-C-4P	11-9
7	Plug socket with cable KMEB	11-9
8	Plug socket MSSD-EB	11-9
9	Illuminating seal MEB-LD	11-9
10	Padlock LRVS-D	11-10
-	Mounting bracket (for service unit MSB-FRC) MS4/6-WP/WPB/WPM	11-5, 11-6

Service unit combinations MSB4/MSB6, MS series

Type codes

MSB 6 - 1/2 : H7 N3 M2 - WP

Series

MSB	Service unit combination
-----	--------------------------

Size

4	Grid dimension 40 mm
6	Grid dimension 62 mm

Pneumatic connection

1/4	Thread G1/4
1/2	Thread G1/2

Service unit combination

On-off valve → 7-4

C3	MS...-EM1
----	-----------

Filters → 4-3

H1	MS...-LF-ERV
H2	MS...-LF-ERM
H3	MS...-LF-CRM
H4	MS...-LF-CRV
H7	MS...-LF-EUV
H8	MS...-LF-EUM

Filter regulator → 3-3

J1	MS...-LFR-D7-ERM-AS
J2	MS...-LFR-D7-ERV-AS
J3	MS...-LFR-D7-CRM-AS
J4	MS...-LFR-D7-CRV-AS

Pressure regulator → 5-4

N2	MS...-LR-D6-AS
N3	MS...-LR-D7-AS

Soft-start valve → 7-4

A1	MS...-DL
----	----------

Lubricator → 6-3

M1	MS...-LOE-R
M2	MS...-LOE-U

On-off valve → 7-4

D1	MS...-EE-V24
D7	MS...-EE-10V24

Branching module → 9-4

F3	MS...-FRM-Y
----	-------------

Type of mounting

WP	Mounting bracket
----	------------------

Further variants can be ordered using the modular system
 Service unit combinations → www.festo.com/en/engineering

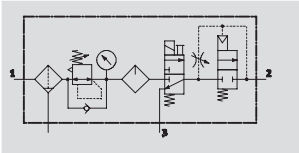
- Connection size
- Connecting plates
- Service unit equipment
- Alternative flow direction

Service unit combinations MSB4/MSB6, MS series

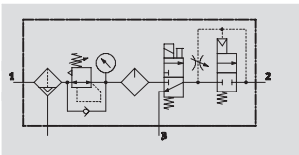
Technical data



Function
With condensate drain
manual rotary



With condensate drain
fully automatic



- - Flow rate
550 ... 2,000 l/min
- - Temperature range
-10 ... +60 °C
- - Pressure regulation
range
4 ... 12 bar



- For filtered and lubricated compressed air
- Output pressure is infinitely adjustable within the pressure regulation range
- Gradual pressure build-up prevents sudden, unpredictable movements
- When supply pressure is closed, quick venting ensures rapid pressure reduction

- Filter regulator MS...-LFR-D7
- Lubricator MS...-LOE-R
- On-off valve MS...-EE-10V24 or MS...-EE-V24 solenoid actuated
- Soft-start valve MS...-DL pneumatically actuated
- Mounting bracket MS...-WP

General technical data		
Size	MSB4	MSB6
Pneumatic connection 1, 2, 3	G $\frac{1}{4}$	G $\frac{1}{2}$
Regulating function	With primary pressure compensation	
	With return flow function	
	With secondary venting	
	Output pressure constant	
Type of mounting	Via accessories	
Assembly position	Vertical $\pm 5^\circ$	
Grade of filtration $[\mu\text{m}]$	5 (air purity class at the output 3.7.- to DIN ISO 8573-1)	
	40 (air purity class at the output 5.7.- to DIN ISO 8573-1)	
Bowl guard	Plastic bowl guard	
Condensate drain	Manual rotary	
	Fully automatic	
Actuator lock	Rotary knob with detent	
	Lockable with accessories	
Pressure regulation range [bar]	4 ... 9 (with on-off valve MS...-EE-10V24)	
	4 ... 12 (with on-off valve MS...-EE-V24)	
Pressure indicator	With pressure gauge	
Supply voltage [V DC]	24	

- \parallel - Note: This product conforms with the ISO 1179-1 standard and the ISO 228-1 standard.

Standard nominal flow rate q_{nN} [l/min]		
Size	MSB4	MSB6
Grade of filtration	5 μm	1,900
	40 μm	2,000

Service unit combinations MSB4/MSB6, MS series

Technical data

Operating and environmental conditions									
	Pressure regulation range 4 ... 9 bar				Pressure regulation range 4 ... 12 bar				
Condensate drain	Manual rotary		Fully automatic		Manual rotary		Fully automatic		
Size	MSB4	MSB6	MSB4	MSB6	MSB4	MSB6	MSB4	MSB6	MSB6
Supply pressure [bar]	4.5 ... 10	4.5 ... 10	4.5 ... 10	4.5 ... 10	4.5 ... 14	4.5 ... 18	4.5 ... 12	4.5 ... 12	4.5 ... 12
Operating medium	Filtered compressed air, lubricated or unlubricated, grade of filtration 40 µm								
Ambient temperature [°C]	-10 ... +50		+5 ... +50		-10 ... +60			+5 ... +60	
Temperature of medium [°C]	-10 ... +50		+5 ... +50		-10 ... +60			+5 ... +60	
Storage temperature [°C]	-10 ... +60		-10 ... +60		-10 ... +60			-10 ... +60	
Corrosion resistance	CRC ¹⁾		2						

1) Corrosion resistance class 2 according to Festo standard 940 070

Components requiring moderate corrosion resistance. Externally visible parts with primarily decorative surface requirements which are in direct contact with a normal industrial environment or media such as coolants or lubricating agents.

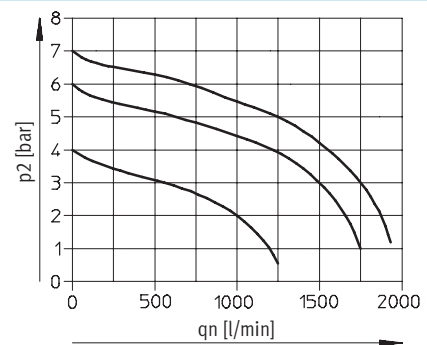
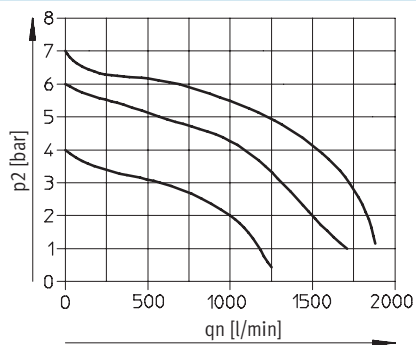
Weights [g]		
Size	MSB4	MSB6
Service unit combination	1,800	3,000
Mounting bracket	40	76

Note
Materials → Technical data of the individual devices

Standard flow rate qn as a function of output pressure p2

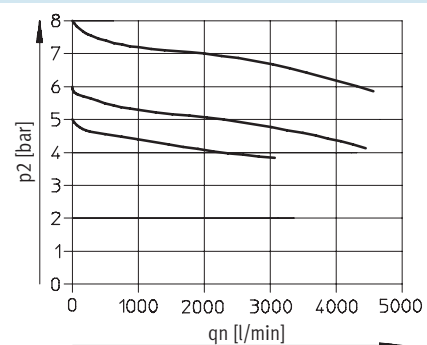
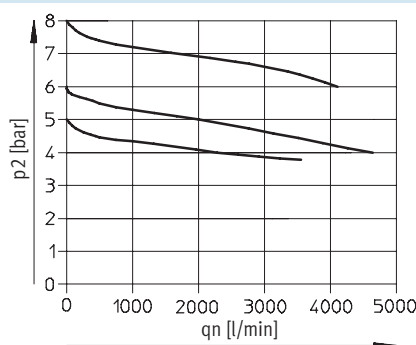
Pressure regulation range 4 ... 9 bar / 4 ... 12 bar
MSB4-1/4

Primary pressure p1 = 10 bar



MSB6-1/2

Primary pressure p1 = 10 bar



Service unit combinations MSB4/MSB6, MS series

Technical data



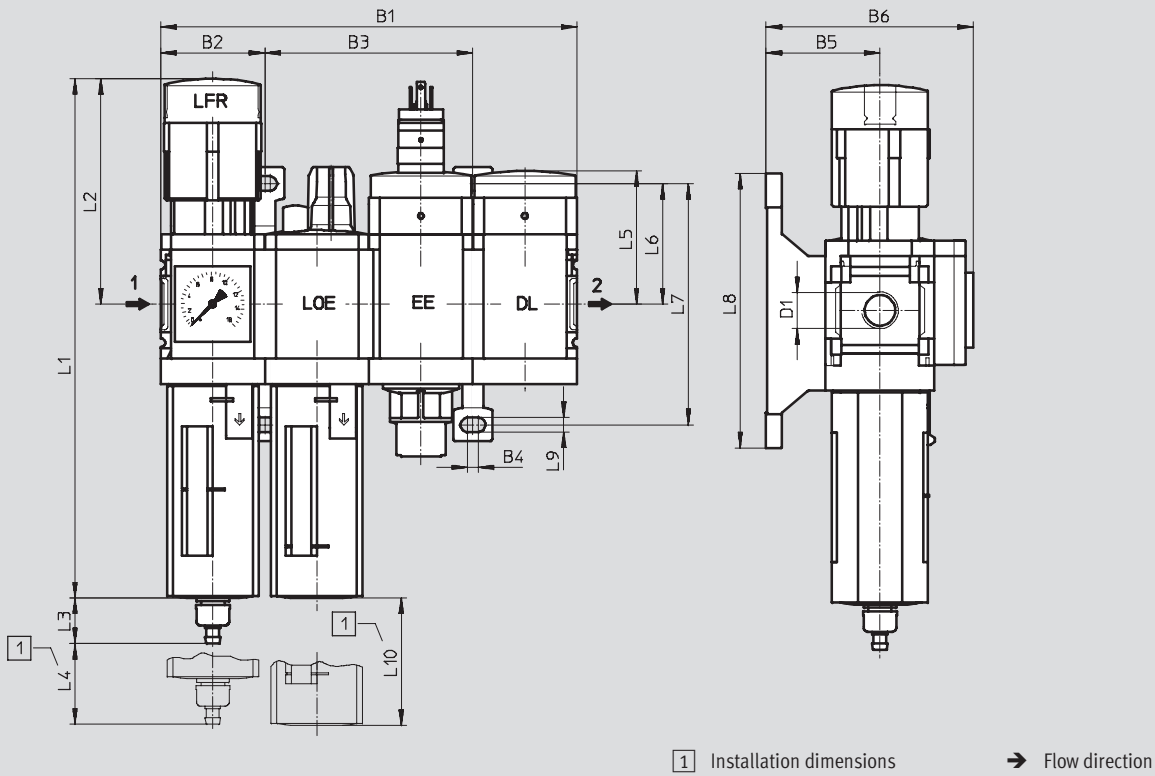
MS series service units
Service units

2

Dimensions

Download CAD data → www.festo.com/en/engineering

With pressure gauge, display unit [bar]



Type	B1	B2	B3	B4	B5	B6	D1	L1	L2
MSB4	160.8	40.2	80.4	4	44	80	G $\frac{1}{4}$	201	87
MSB6	248	62	124	4.5	54	100	G $\frac{1}{2}$	285	134.5

Type	L3 Condensate drain		L4	L5	L6	L7	L8	L9	L10
	manual rotary	fully auto-matic							
MSB4	17.7	20.4	25	51.7	46.5	93.2	106	5.6	80
MSB6	15.8	18.5	68	71	71	142	158	6.6	130

• | • Note: This product conforms with the ISO 1179-1 standard and the ISO 228-1 standard.

Service unit combinations MSB4/MSB6, MS series

FESTO

Technical data

Ordering data						
Pressure regulation range 4 ... 9 bar						
Size	Condensate drain	Connection	Grade of filtration 5 µm		Grade of filtration 40 µm	
			Part No.	Type	Part No.	Type
Plastic bowl guard						
MSB4	manual rotary	G $\frac{1}{4}$	542 632	MSB4- $\frac{1}{4}$:J3M1D7A1-WP	542 628	MSB4- $\frac{1}{4}$:J1M1D7A1-WP
	fully automatic	G $\frac{1}{4}$	542 634	MSB4- $\frac{1}{4}$:J4M1D7A1-WP	542 630	MSB4- $\frac{1}{4}$:J2M1D7A1-WP
MSB6	manual rotary	G $\frac{1}{2}$	542 648	MSB6- $\frac{1}{2}$:J3M1D7A1-WP	542 644	MSB6- $\frac{1}{2}$:J1M1D7A1-WP
	fully automatic	G $\frac{1}{2}$	542 650	MSB6- $\frac{1}{2}$:J4M1D7A1-WP	542 646	MSB6- $\frac{1}{2}$:J2M1D7A1-WP

Ordering data						
Pressure regulation range 4 ... 12 bar						
Size	Condensate drain	Connection	Grade of filtration 5 µm		Grade of filtration 40 µm	
			Part No.	Type	Part No.	Type
Plastic bowl guard						
MSB4	manual rotary	G $\frac{1}{4}$	531 106	MSB4- $\frac{1}{4}$:J3M1D1A1-WP	531 102	MSB4- $\frac{1}{4}$:J1M1D1A1-WP
	fully automatic	G $\frac{1}{4}$	531 108	MSB4- $\frac{1}{4}$:J4M1D1A1-WP	531 104	MSB4- $\frac{1}{4}$:J2M1D1A1-WP
MSB6	manual rotary	G $\frac{1}{2}$	530 227	MSB6- $\frac{1}{2}$:J3M1D1A1-WP	530 223	MSB6- $\frac{1}{2}$:J1M1D1A1-WP
	fully automatic	G $\frac{1}{2}$	530 229	MSB6- $\frac{1}{2}$:J4M1D1A1-WP	530 225	MSB6- $\frac{1}{2}$:J2M1D1A1-WP



MS series service units

Accessories

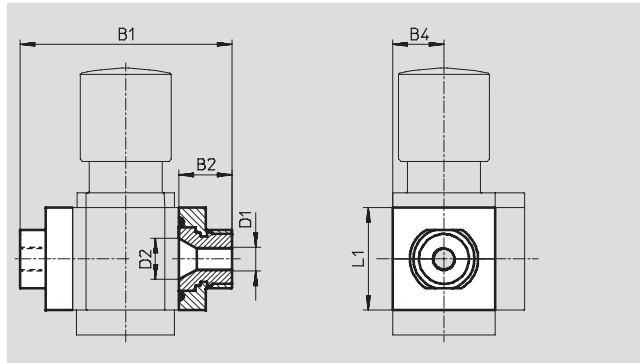


Connecting plate MS4/6-AG...

(order code: AG...)

- Adapter for pneumatic connection
- MS6-AGE for implementing threaded connection G $\frac{3}{4}$

Material:
Aluminium



Dimensions and ordering data									
Size	B1	B2	B4	D1	D2	L1	Weight [g]	Part No.	Type
MS4	83.5	21.5	21	G $\frac{1}{8}$	16.8	42	128	526 068	MS4-AGA
				G $\frac{1}{4}$				526 069	MS4-AGB
				G $\frac{3}{8}$				526 070	MS4-AGC
MS6	115	26.5	31	G $\frac{1}{4}$	24	62	300	526 080	MS6-AGB
				G $\frac{3}{8}$				526 081	MS6-AGC
				G $\frac{1}{2}$				526 082	MS6-AGD
				G $\frac{3}{4}$				526 083	MS6-AGE

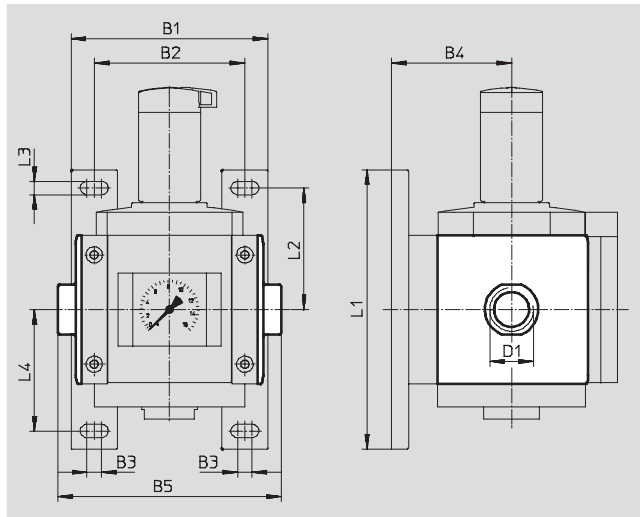
-||- Note: This product conforms with the ISO 1179-1 standard and the ISO 228-1 standard.

Connecting plate MS12-AG...

(order code: AG...)

- Adapter for pneumatic connection

Material:
Die-cast aluminium
Free of copper and PTFE



Dimensions and ordering data													
Size	B1	B2	B3	B4	B5	D1	L1	L2	L3	L4	Weight [g]	Part No.	Type
MS12	162	124	12	99	184	G1	230	100	11	100	1,300	537 135	MS12-AGF
					184	G $\frac{1}{4}$						537 136	MS12-AGG
					184	G $\frac{1}{2}$						537 137	MS12-AGH
					196	G2						537 138	MS12-AGI

-||- Note: This product conforms with the ISO 1179-1 standard and the ISO 228-1 standard.

MS series service units

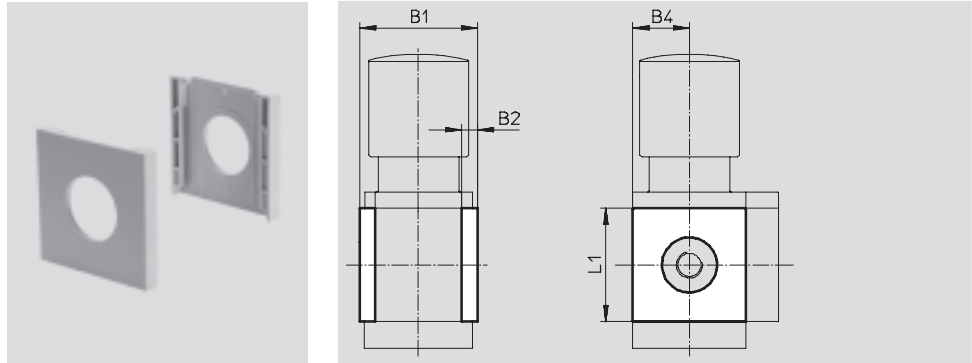
Accessories

FESTO

Cover cap MS4/6-END

- Can be used to cover the body sides of the first and last module if connecting plates are not used.

Material:
Reinforced polyamide
Free of copper and PTFE



Dimensions and ordering data						
Size	B1	B2	B4	L1	Part No.	Type
MS4	43.6	6	21	42	538 779	MS4-END
MS6	67	8	31	62	538 780	MS6-END

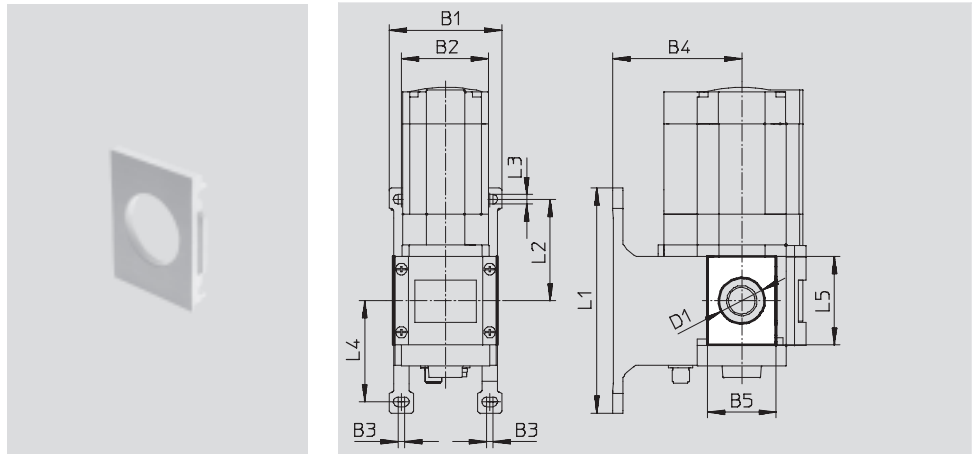
• Note: This product conforms with the ISO 1179-1 standard and the ISO 228-1 standard.


Mounting plate MS4/6-AEND

(order code: WBE; scope of delivery includes wall mounting plate MS6-WPB)

- In combination with wall mounting plate MS-WP or MS-WPB for mounting an individual unit on a wall with direct thread

Material:
Reinforced polyamide
Conforms to RoHS
Free of copper and PTFE



Dimensions and ordering data														Weight [g]	Part No.	Type	
Size	B1	B2	B3	B4		B5	D1	L1	L2	L3	L4	L5	CRC ¹⁾				
				WP	WPB		∅										
MS4	55.2	40.2	4	44	66	30.4	20.3	106	46.5	5.6	46.7	42	2	4	542 966	MS4-AEND	 New
MS6	79	62	4.5	54	90.5	48.4	32	158	71	6.6	71	62	2	17	535 408	MS6-AEND	

1) Corrosion resistance class 2 according to Festo standard 940 070
Components requiring moderate corrosion resistance. Externally visible parts with primarily decorative surface requirements which are in direct contact with a normal industrial environment or media such as coolants or lubricating agents.

MS series service units

Accessories



Wall mounting plate MS4/6-WP...

Clearances for mounting service unit combinations

1 service unit

MS4: with WP/WPB/WPM-D:
40.2 mm (20.1 mm at
MS4-FRM-FRZ)

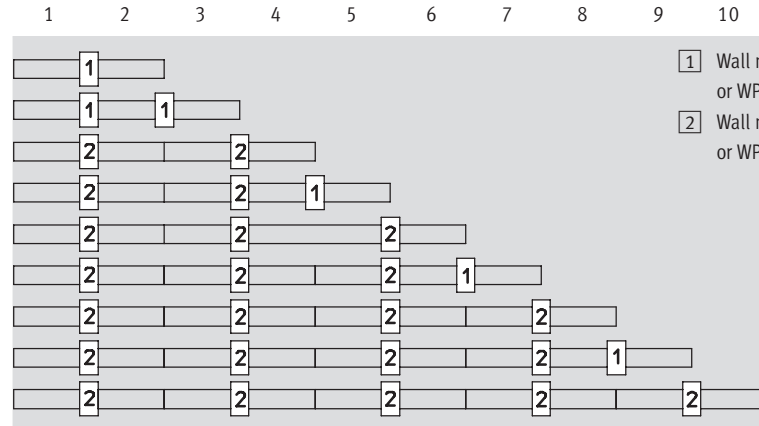
MS6: with WP, WPB: 62 mm (31 mm
at MS4-FRM-FRZ)
with WPM-D: 69 mm
(38 mm at MS6-FRM-FRZ)

2 service units

MS4: with WP/WPB/WPM-2D:
80.4 mm (40.2 mm at
MS4-FRM-FRZ)

MS6: with WP, WPB: 124 mm
(62 mm at MS6-FRM-FRZ)
with WPM-2D: 138 mm
(76 mm at MS6-FRM-FRZ)

Number of units

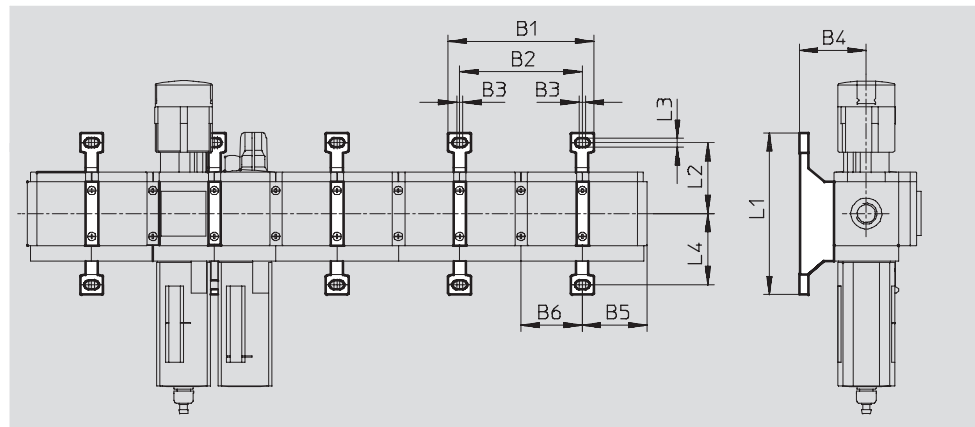


- 1 Wall mounting plate WP, WPB or WPM-D
- 2 Wall mounting plate WP, WPB or WPM-2D

Mounting dimensions

Note

The distributor block MS4/6-FRM-FRZ has a half grid dimension width.



Type	2 service units with grid dimension		1 service unit with grid dimension and 1 distributor block MS-FRM-FRZ		2 distributor blocks MS-FRM-FRZ		B3	B4	Service unit with grid dimension		Distributor block MS-FRM-FRZ		L1	L2	L3	L4			
	B1	B2	B1	B2	B1	B2			B5 ¹⁾	B6	B5 ¹⁾	B6							
MS4-WP	95.4	80.4	75.3	60.3	55.2	40.2	4	44	41.9	40.2	21.8	20.1	106	46.5	5.6	46.7			
MS4-WPB																	92.8	34.8	45.2
MS4-WPM-...D																			
MS6-WP	141	124	110	93	79	62	4.5	54.1	64.5	62	33.5	31	158	71	6.6	71			
MS6-WPB								90.5											
MS6-WPM-...D								54.1									68	69	37

1) With accessory cover cap MS-END

MS series service units

Accessories



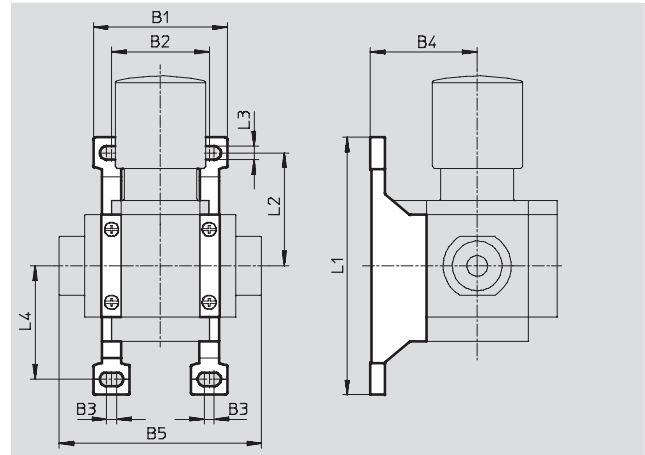
Wall mounting plate MS4/6-WP

(order code: WP)

- For connecting the modules for wall mounting
- In combination with a connecting plate MS4/6-AG... for mounting an individual unit on a wall
- In combination with mounting plate MS-AEND for mounting an individual unit with direct thread on a wall
- For pressure regulator LRB with angled outlet block B... at rear

Material:

Die-cast aluminium



Dimensions and ordering data												
Size	B1	B2	B3	B4	B5	L1	L2	L3	L4	Weight [g]	Part No.	Type
MS4	55.2	40.2	4	44	83.4	106	46.5	5.6	46.7	39	532 184	MS4-WP
MS6	79	62	4.5	54.1	115	158	71	6.6	71	76	532 195	MS6-WP

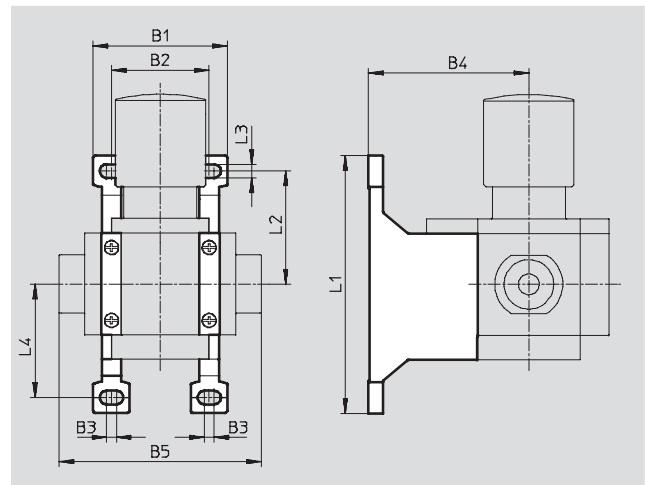
Wall mounting plate MS4/6-WPB

(order code: WPB)

- For connecting the modules for wall mounting
- In combination with a connecting plate MS4/6-AG... for mounting an individual unit on a wall
- In combination with mounting plate MS-AEND for mounting an individual unit with direct thread on a wall
- Provides large wall gap for pressure regulator

Material:

Die-cast aluminium



Dimensions and ordering data												
Size	B1	B2	B3	B4	B5	L1	L2	L3	L4	Weight [g]	Part No.	Type
MS4	55.2	40.2	4	66	83.4	106	46.5	5.6	46.7	55	526 063	MS4-WPB
MS6	79	62	4.5	90.5	115	158	71	6.6	71	115	526 074	MS6-WPB

MS series service units

Accessories



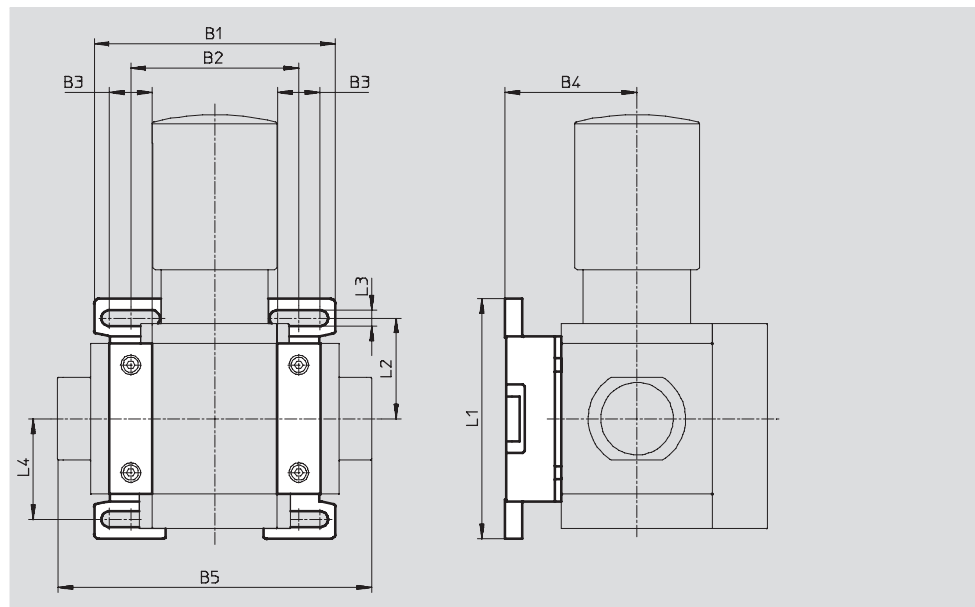
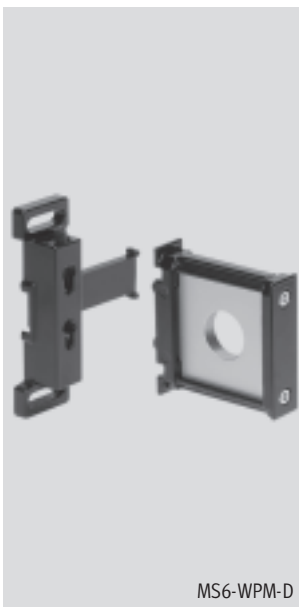
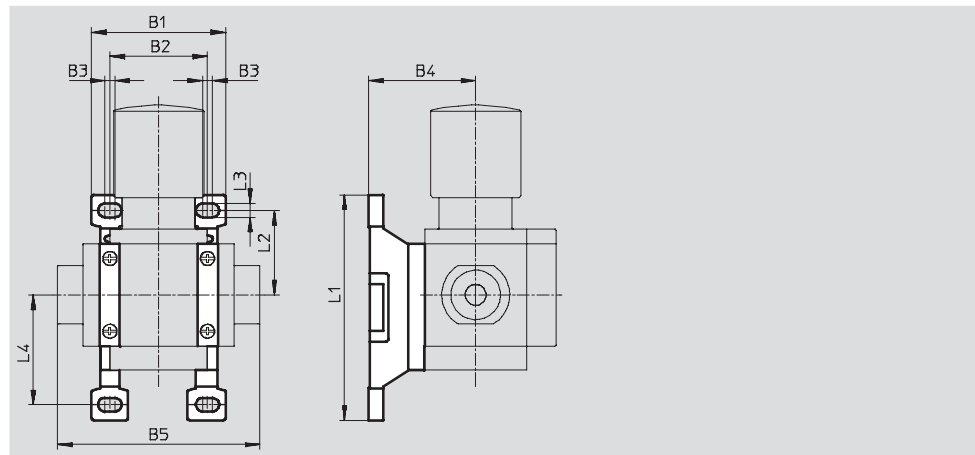
Wall mounting plate MS4/6-WPM

(order code: WPM)

- For connecting the modules for wall mounting
- In combination with a connecting plate MS4/6-AG... for mounting an individual unit on a wall
- Speedy attachment and detachment
- For installation of modules with regulating knob pointing downwards

The distance piece D or 2D (designated in the type code) is included in the scope of delivery and ensures the correct clearance

Material:
Die-cast aluminium



Dimensions and ordering data													
Size	B1	B2	B3	B4	B5	L1	L2	L3	L4	Clearance	Weight [g]	Part No.	Type
MS4	55.2	40.2	4	44	83.4	92.8	34.8	5.6	45.2	40.2	45	526 060	MS4-WPM-D
	95.4	80.4			123.4					80.4	55	526 061	MS4-WPM-2D
MS6	99	69	17.5	54.1	129	98.6	41.3	6.6	41.3	69	144	526 073	MS6-WPM-D
	168	138			198					138	154	532 186	MS6-WPM-2D

MS series service units

Accessories

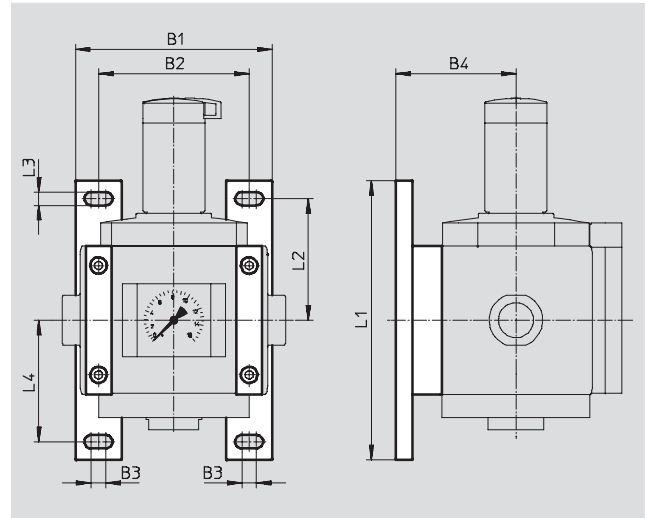


Wall mounting plate MS12-WP

(order code: WP)

- For connecting the modules for wall mounting
- In combination with a connecting plate for mounting an individual unit on a wall

Material:
Die-cast aluminium
Free of copper and PTFE



Dimensions and ordering data											
Size	B1	B2	B3	B4	L1	L2	L3	L4	Weight [g]	Part No.	Type
MS12	162	124	12	99	230	100	11	100	700	537 133	MS12-WP

Module connector MS...-MV

- For connecting modules

Material:
MS4/6: Stainless steel/polyacetate

MS12: Die-cast aluminium,
Free of copper and PTFE



MS4/6



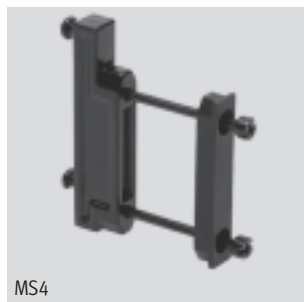
MS12

Ordering data			
Size	Weight [g]	Part No.	Type
MS4	36	532 798	MS4-MV
MS6	54	532 799	MS6-MV
MS12	500	537 134	MS12-MV

Module connector MS4/6-MVM

- For installation of modules with regulating knob pointing downwards

Material:
Die-cast aluminium



MS4



MS6

Ordering data		
Size	Part No.	Type
MS4	532 800	MS4-MVM
MS6	532 801	MS6-MVM




MS series service units

Accessories

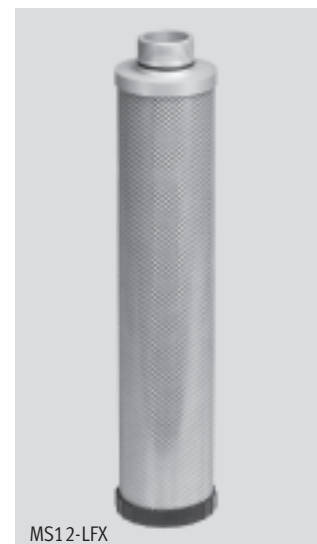
FESTO

Filter cartridge MS4/6-LF...



Ordering data				
Size		Grade of filtration [µm]	Part No.	Type
MS4	Micro-filter cartridge	0.01	162 674	MS4/D-MINI-LFM-A
	Fine-filter cartridge	1	162 677	MS4/D-MINI-LFM-B
	Filter cartridge	5	534 501	MS4-LFP-C
	Filter cartridge	40	534 502	MS4-LFP-E
	Active carbon filter cartridge	–	532 912	MS4/D-MINI-LFX
MS6	Micro-filter cartridge	0.01	532 909	MS6-LFM-A
	Micro-filter cartridge (for variant HF, high flow rate)	0.01	552 093	MS6-LFM-A-HF 
	Fine-filter cartridge	1	532 910	MS6-LFM-B
	Fine-filter cartridge (for variant HF, high flow rate)	1	552 092	MS6-LFM-B-HF 
	Filter cartridge	5	534 499	MS6-LFP-C
	Filter cartridge	40	534 500	MS6-LFP-E
	Active carbon filter cartridge	–	532 911	MS6-LFX
	Active carbon filter cartridge (for variant HF, high flow rate)	–	552 094	MS6-LFX-HF 

Filter cartridge MS12-LF...

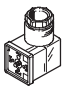


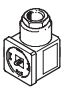
Ordering data				
Size		Grade of filtration [µm]	Part No.	Type
MS12	Micro-filter cartridge	0.01	537 146	MS12-LFM-A
	Fine-filter cartridge	1	537 145	MS12-LFM-B
	Filter cartridge	5	537 143	MS12-LFP-C
	Filter cartridge	40	537 144	MS12-LFP-E
	Active carbon filter cartridge	–	537 147	MS12-LFX

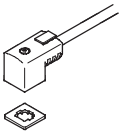
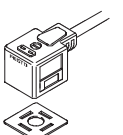
MS series service units


Accessories

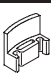
FESTO

Ordering data – Angled socket PEV						Technical data → www.festo.com	
	Description	Operating voltage range	Electrical connection	Switching status display	Part No.	Type	
	for PEV-1/4-...-OD	15 ... 30 V DC	4-pin	Yellow LED	164 274	PEV-1/4-WD-LED-24	
		≤ 230 V AC ≤ 180 V DC	4-pin	Yellow LED	164 275	PEV-1/4-WD-LED-230	

Ordering data – Plug socket MSSD						Technical data → www.festo.com	
	Description	Operating voltage range	Electrical connection	Type of mounting cable connection	Part No.	Type	
	for PEV-1/4-...-OD	≤ 250 V AC/DC	3-pin	Clamping screws	171 157	MSSD-C-4P	
	for MS4/6-EE/DE	≤ 250 V AC/DC	3-pin	Clamping screws	151 687	MSSD-EB	
			4-pin	Insulation displacement technology	192 745	MSSD-EB-S-M14	
	for MS12-EE/DE	≤ 250 V AC/DC	3-pin	Clamping screws	34 583	MSSD-C	
4-pin			Insulation displacement technology	192 748	MSSD-C-S-M16		

Ordering data – Plug socket with cable KMEB/KMC							Technical data → www.festo.com	
	Description	Operating voltage range	Electrical connection	Switching status display	Cable length [m]	Part No.	Type	
	for MS4/6-EE/DE	24 V DC	2-pin	LED	2.5	547 268	KMEB-3-24-2,5-LED	
				–	5	547 269	KMEB-3-24-5-LED	
			–	2.5	547 270	KMEB-3-24-2,5		
				5	547 271	KMEB-3-24-5		
		3-pin	LED	2.5	151 688	KMEB-1-24-2,5-LED		
				5	151 689	KMEB-1-24-5-LED		
			–	10	193 457	KMEB-1-24-10-LED		
				230 V AC	3-pin	–	2.5	151 690
				5	151 691	KMEB-1-230AC-5		
	for MS12-EE/DE	24 V DC	3-pin	LED	2.5	30 931	KMC-1-24DC-2,5-LED	
					5	30 933	KMC-1-24DC-5-LED	
					10	193 459	KMC-1-24-10-LED	
		230 V AC	3-pin	–	2.5	30 932	KMC-1-230AC-2,5	
					5	30 934	KMC-1-230AC-5	

Ordering data – Illuminating seal MEB-LD/MC-LD					Technical data → www.festo.com	
	Description	Operating voltage range	Part No.	Type		
	for plug socket with cable KMEB and plug socket MSSD-EB	12 ... 24 V DC	151 717	MEB-LD-12-24DC		
		230 V DC/AC ±10%	151 718	MEB-LD-230AC		
	for plug socket with cable KMC and plug socket MSSD-C	12 ... 24 V DC	19 145	MC-LD-12-24DC		
		230 V DC/AC ±10%	19 146	MC-LD-230AC		


Ordering data – Locking clip CPV18-HV					Technical data → www.festo.com	
	Description	Part No.	Type	PU ¹⁾		
	for MS4/6-EE/DE-...-V24				530 056	CPV18-HV
	Cover for manual override, the clip prevents actuation					10


1) Packaging unit quantity

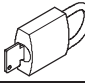
MS series service units

Accessories

FESTO

Ordering data – Silencer U			Technical data → www.festo.com	
	Description	Pneumatic connection	Part No.	Type
	for MS4-EM1/EE	G1/4	6 842	U-1/4-B
	for MS6-EM1/EE	G1/2	6 844	U-1/2-B
	for MS12-EM/EE	G1	151 990	U-1-B

Ordering data – Double nipple ESK					
	Description	Pneumatic connection		Part No.	Type
	Adjustable for angular compensation • For retro-fitting pressure switch PEV or pressure sensor SDE1 to branching module MS-FRM	R1/8	R1/4	534 151	ESK-1/8-1/4
		R1/4	R1/4	151 521	ESK-1/4-1/4
			R1/2	534 153	ESK-1/4-1/2

Ordering data – Padlock LRVS-D				
	Description	Weight [g]	Part No.	Type
	for filter or pressure regulators	120	193 786	LRVS-D

Ordering data – Special oil OFSW				
	Description	Scope of delivery	Part No.	Type
	for lubricators	1 litre	152 811	OFSW-32