

Pressure regulators MS-LR-B

FESTO



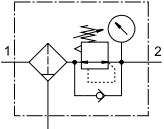
Key features

At a glance

Very compact and extremely lightweight series for use close to the process directly in the machine.

- Stable control response
- The rotary knob latches in order to prevent it from being turned unintentionally
- Integrated secondary and primary exhausting with return flow feature

Function



For continuously variable, precise adjustment of the required operating pressure.

The pressure regulator maintains a constant working pressure regardless of pressure fluctuations in the system and air consumption.

Pneumatic connection

Different connection types can be selected depending on size:

- Individual fittings which are mounted via a female thread
- Integrated connections into which the tubing can be directly inserted

Pressure regulation range [bar]

The following ranges can be set:

- With MS2-...: 0.5 ... 7 bar
- With MS4-... and MS6-...: 0.3 ... 7 bar

Pressure gauge alternatives

The pressure regulator can be ordered with or without pressure gauge. The interface has a G1/8 thread.

Display unit

The scale of the built-in pressure gauge can be selected. The units [MPa], [bar] and [psi] are available for selection.

Type codes

001	Series	
MS	MS series	

002	Size	
2	Grid dimension 25 mm	
4	Grid dimension 40 mm	
6	Grid dimension 62 mm	

003	Function	
LR	Pressure regulator	

004	Pneumatic connection	
M5	Female thread M5	
QS6	Push-in connector 6 mm	
1/4	Female thread G1/4	
1/2	Female thread G1/2	

005	Pressure regulation range	
D6	0.3 ... 7 bar	

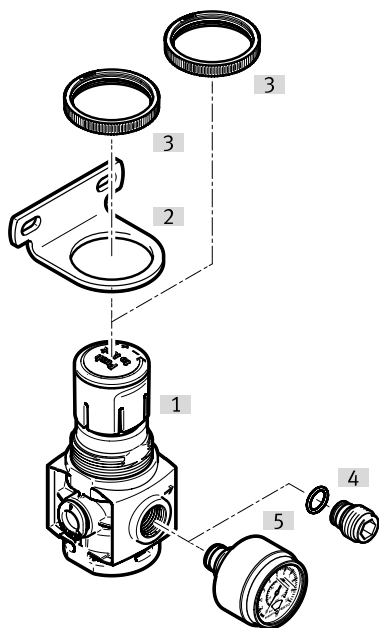
006	Pressure gauge alternatives	
AR	With pressure gauge	
AG	MS pressure gauge	
A8	Adapter for EN pressure gauge 1/8, without pressure gauge	

007	Alternative pressure gauge scale	
	MS pressure gauge	
BAR	bar	
MPA	MPa	

008	Version	
B	Basic	

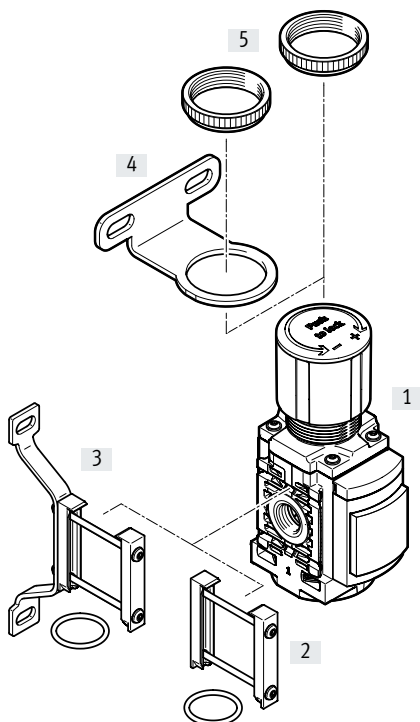
Peripherals overview

Size 2



Mounting attachments and accessories		→ Page/Internet
[1]	Pressure regulator MS2-LR-...-B	5
[2]	Mounting bracket MS2-WR-B	For wall mounting, knurled nut included in the scope of delivery
[3]	Nut MS2-WRS	For front panel mounting
[4]	Plug screw MS2-G18S	11
[5]	Pressure gauge PAGN	11

Size 4 and 6



Mounting attachments and accessories		→ Page/Internet
[1]	Pressure regulator MS4/6-LR-...-B	5
[2]	Module connector MS...-MV1	For connecting modules
[3]	Wall mounting kit MS...-WPE-B	For connecting the modules for wall mounting
[4]	Mounting bracket MS...WR-B	For wall mounting, knurled nut included in the scope of delivery
[5]	Nut MS...-WRS	For front panel mounting

Datasheet

General technical data				
Pneumatic connection 1	G1/2	G1/4	M5	QS-6
Size	6	4	2	
Pneumatic connection 2	G1/2	G1/4	M5	QS-6
Standard nominal flow rate	6000 l/min	1800 l/min	170 l/min	350 l/min
Pressure regulation range	0.03 ... 0.7 MPa		0.05 ... 0.7 MPa	
	4.35 ... 101.5 psi		7.25 ... 101.5 psi	
	0.3 ... 7 bar		0.5 ... 7 bar	
Max. pressure hysteresis	0.035 MPa		0.05 MPa	
	5.075 psi		7.25 psi	
	0.35 bar		0.5 bar	
Design	Pressure regulator with pressure gauge, pressure regulator without pressure gauge, directly actuated piston regulator		Directly actuated diaphragm regulator	
Regulator function	Output pressure constant, with secondary exhausting, with return flow action			
Type of mounting	Optional: front panel mounting, in-line installation, with accessories			
Mounting position	Any			
Actuator lock	Rotary knob with latch			
Pressure indicator	G1/8 prepared, with pressure gauge			

Operating and environmental conditions				
Pneumatic connection 1	G1/2	G1/4	M5	QS-6
Size	6	4	2	
Operating pressure	0.1 ... 1 MPa		0.1 ... 0.8 MPa	
	14.5 ... 145 psi		14.5 ... 116 psi	
	1 ... 10 bar		1 ... 8 bar	
Operating medium	Compressed air in accordance with ISO 8573-1:2010 [7:4:4]; inert gases			
Note on the operating/pilot medium	Lubricated operation possible (in which case lubricated operation will always be required)			
Ambient temperature	-5 ... 50°C			
Temperature of medium	-5 ... 50°C			
Storage temperature	-5 ... 50°C			
PWIS conformity	VDMA24364-B1/B2-L			
Corrosion resistance class CRC ¹⁾	1 - Low corrosion stress			

1) Corrosion resistance class CRC 1 to Festo standard FN 940070.

Low corrosion stress. Dry internal application or transport and storage protection. Also applies to parts behind covers, in the non-visible interior area, or parts which are covered in the application (e.g. drive trunnions).

Weight				
Pneumatic connection 1	G1/2	G1/4	M5	QS-6
Size	6	4	2	
Product weight	479 ... 482 g	163 ... 165 g	34.8 ... 39.8 g	31.6 ... 36.6 g

Materials				
Pneumatic connection 1	G1/2	G1/4	M5	QS-6
Size	6	4	2	
Housing material	Reinforced PA			
Rotary knob material	POM			
Valve tappet material	POM		Wrought aluminium alloy, NBR	
Diaphragm material	-		NBR	
Spring material	High-alloy steel, galvanised steel		High-alloy steel	
Note on materials	RoHS-compliant			

Datasheet

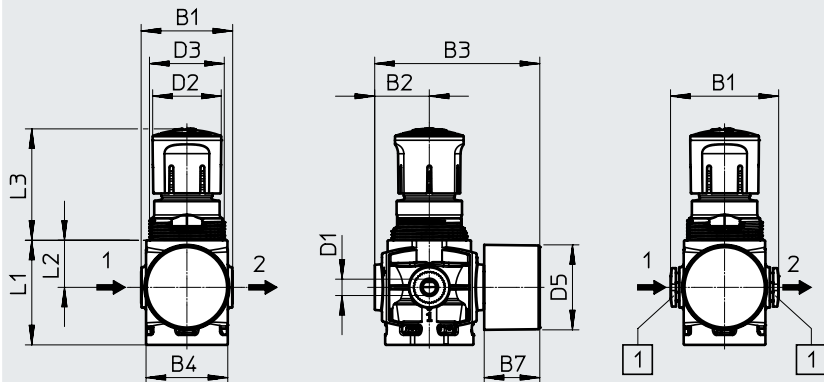
Dimensions

Download CAD data → www.festo.com

[AR] With pressure gauge

MS2-LR-M5-...-AR

MS2-LR-QS6-...-AR



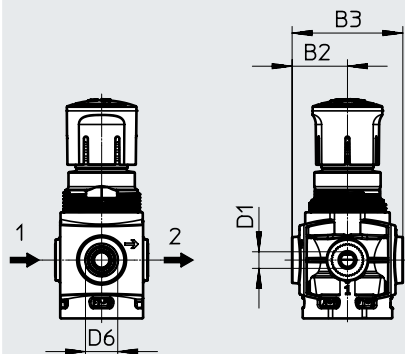
[1] Pneumatic connection QS-6
→ Flow direction

	B1	B2	B3	B4	B7	D1	D2 ∅	D3 ∅	D5 ∅	L1	L2	L3
MS2-LR-M5-...-AR	28	16.7	51	25	17	M5	21	M23x1	26	31	14.4	34.1
MS2-LR-QS6-...-AR	33.1					QS-6						

Dimensions

Download CAD data → www.festo.com

[A8] Without pressure gauge, adapter for EN pressure gauge 1/8



→ Flow direction

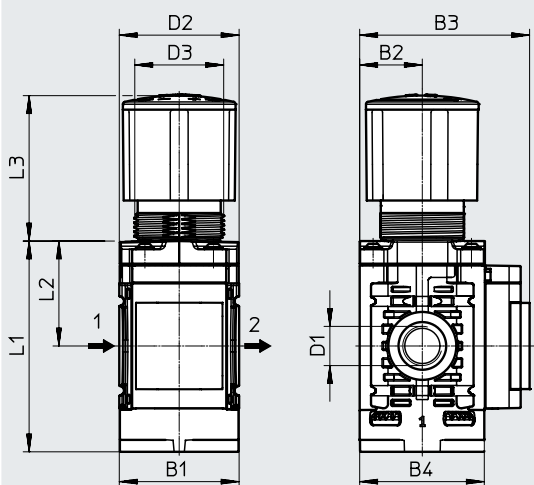
	B2	B3	D1	D6
MS2-LR-M5-...-A8	16.7	33.4	M5	G1/8
MS2-LR-QS6-...-A8			QS-6	

Datasheet

Dimensions

Download CAD data → www.festo.com

[AG] With pressure gauge



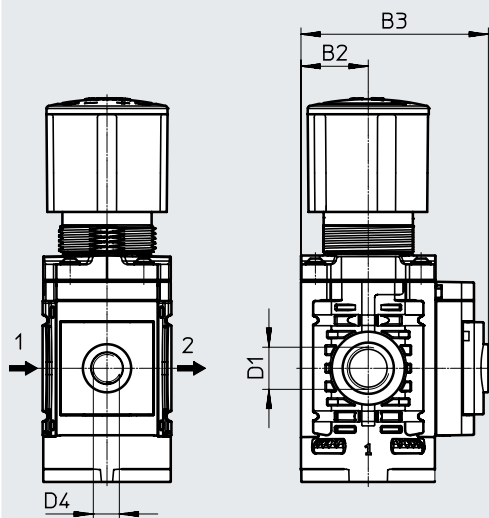
→ Flow direction

	B1	B2	B3	B4	D1	D2 ∅	D3	L1	L2	L3
MS4-LR-1/4-...-AG	40.2	21	57	41.8	G1/4	37.8	M30x1.5	70.7	35.2	48.8

Dimensions

Download CAD data → www.festo.com

[A8] Without pressure gauge, adapter for EN pressure gauge 1/8



→ Flow direction

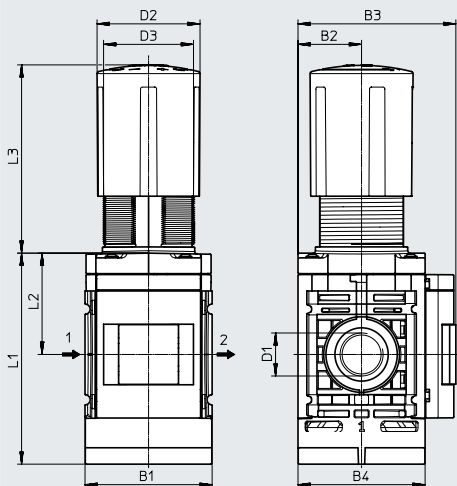
	B2	B3	D1	D4
MS4-LR-1/4-...-A8	21	58.5	G1/4	G1/8

Datasheet

Dimensions

Download CAD data → www.festo.com

[AG] With pressure gauge



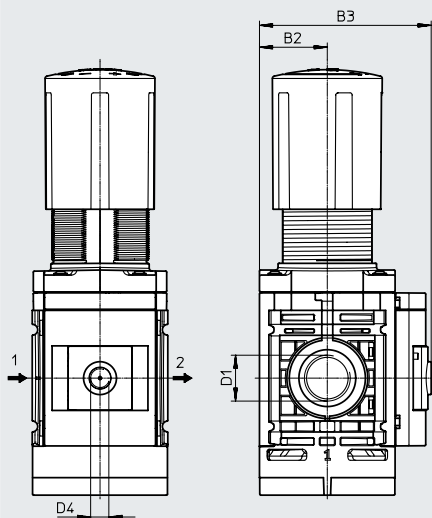
→ Flow direction

	B1	B2	B3	B4	D1	D2 ∅	D3	L1	L2	L3
MS6-LR-1/2-...-AG	62	31	77	62	G1/2	50.2	43.9	102.9	49.4	91.8

Dimensions

Download CAD data → www.festo.com

[A8] Without pressure gauge, adapter for EN pressure gauge 1/8



→ Flow direction

	B2	B3	D1	D4
MS6-LR-1/2-...-A8	31	78.5	G1/2	G1/8

Datasheet

Ordering data					
Size	Pneumatic connection	Pressure gauge	Pressure gauge scale	Part no.	Type
2	M5	Available	MPa	8086636	MS2-LR-M5-D6-AR-MPA-B
			bar	8086628	MS2-LR-M5-D6-AR-BAR-B
		None	-	8086637	MS2-LR-M5-D6-A8-B
	QS-6	Available	MPa	8086639	MS2-LR-QS6-D6-AR-MPA-B
			bar	8086638	MS2-LR-QS6-D6-AR-BAR-B
		None	-	8086640	MS2-LR-QS6-D6-A8-B
4	G1/4	Available	MPa	8099359	MS4-LR-1/4-D6-AG-MPA-B
			bar	8099358	MS4-LR-1/4-D6-AG-BAR-B
		None	-	8099360	MS4-LR-1/4-D6-A8-B
6	G1/2	Available	MPa	8099204	MS6-LR-1/2-D6-AG-MPA-B
			bar	8099205	MS6-LR-1/2-D6-AG-BAR-B
		None	-	8099203	MS6-LR-1/2-D6-A8-B

Accessories

Mounting bracket

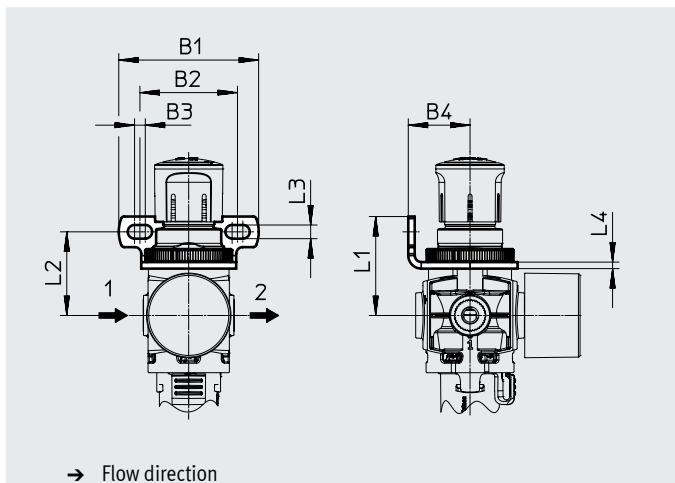
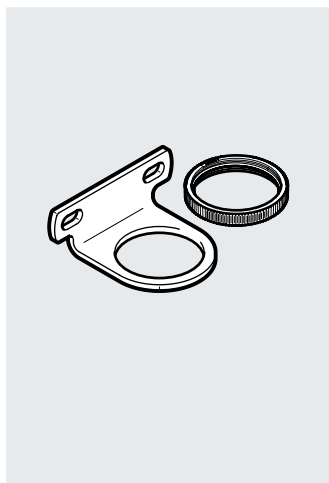
MS...-WR-B

For sizes 2, 4 and 6

- For wall mounting
- Knurled nut included in the scope of delivery

Materials:

Steel
RoHS-compliant



Dimensions and ordering data												
Size	B1 ±0.2	B2	B3	B4	L1	L2	L3 ±0.1	L4	Weight [g]	Part no.	Type	
2	43	30	3.3	19	30.4	25.7	4.2	2	13.8	8087978	MS2-WR-B	
4	68	44	8	41	52	44	7	2.5	49	8149680	MS4-WR-B	
6	70	42	8.2	40	67	57	7.1	3	90	8149681	MS6-WR-B	

Wall mounting kit

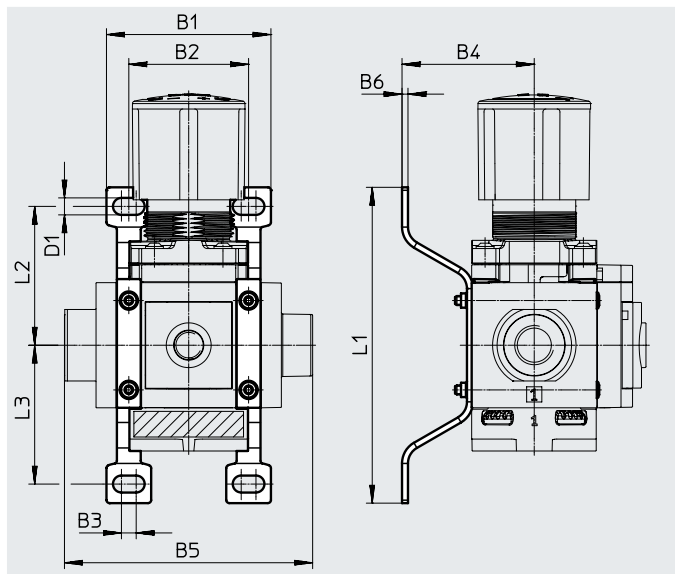
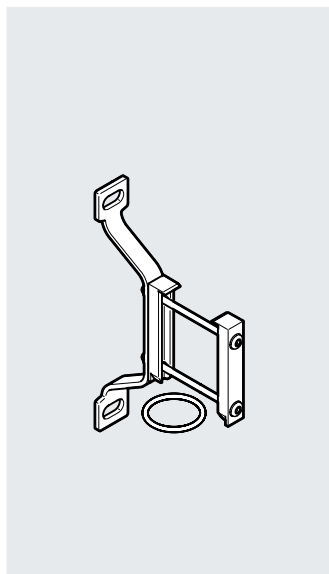
MS...-WPE-B

For sizes 4 and 6

- For wall mounting

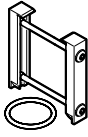




Materials:

Steel
RoHS-compliant



Dimensions and ordering data													
Size	B1	B2	B3	B4	B5	B6	D1 ∅	L1	L2	L3	Weight [g]	Part no.	Type
4	55.2	40.2	5	44.4	83.3	2	5.7	106	46.6	46.6	30	8118600	MS4-WPE-B
6	79	62	4.3	53.9	114.9	2	6.5	158	71	71	58	8118599	MS6-WPE-B

Accessories

Cylinder mountings				
	Size	Description	Part no.	Type
Module connector				
	4	For connecting the modules for wall mounting	8119201	MS4-MV1
	6		8119204	MS6-MV1
Nut				
	2	For front panel mounting	8098037	MS2-WRS
	4		532187	MS4-WRS
	6		532188	MS6-WRS
Pressure gauge				
	2	Display unit [bar]/[psi]	8088985	PAGN-26-10-G18S
		Display unit [MPa]	8088986	PAGN-26-1M-G18S
Plug screw				
	2	For sealing the pressure gauge connection	8132087	MS2-G18S