

On/off valves MS-EE-B

FESTO



Festo Core Range
Solves the majority of your automation tasks

Worldwide:
Simply good:
Fast:

Quickest delivery – wherever, whenever
Expected high Festo quality
Easy and fast to select

With the Festo Core Range, we have selected the most important products and functions from our broad product catalogue, and added the quickest delivery.

The Core Range offers you the best value for your automation tasks.

Just look
for the
star!

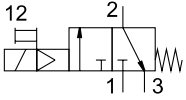
Key features

At a glance

Very compact and extremely lightweight series for use close to the process directly in the machine

- Grid dimension 40 mm
- With solenoid coil, without plug socket
- Supply voltage: 24 V DC

Function



- Solenoid actuated on/off valve for pressurising and exhausting pneumatic systems
- Ducted exhaust possible via a threaded connection
- Detenting and non-detenting manual override

Pneumatic connection

Individual fittings which are mounted via a female thread

Type codes

001	Series
MS	MS series

002	Size
4	Grid dimension 40 mm

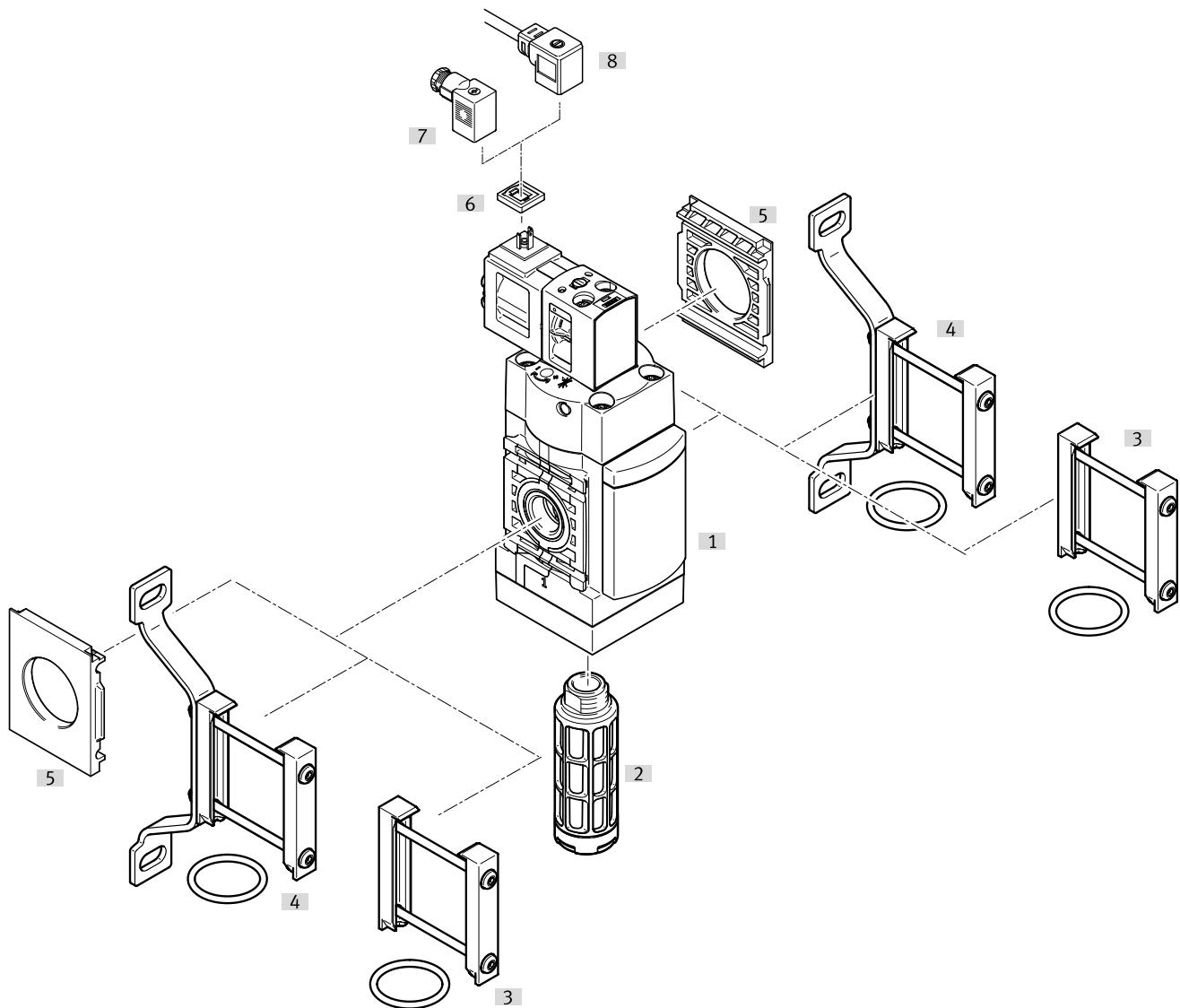
003	Function
EE	On/off valve, electric

004	Pneumatic connection
1/4	Female thread G1/4

005	Supply voltage
V24	24 V DC (connection pattern to EN 175301)

006	Version
B	Basic

Peripherals overview



Mounting attachments and accessories		→ Page/Internet
[1]	On/off valve MS4-EE-...-B	5
[2]	Silencer U	9
[3]	Module connector MS...-MV1	For connecting the modules 9
[4]	Wall mounting kit MS...-WPE-B	For connecting the modules for wall mounting 9
[5]	Mounting plate AEND ¹⁾	9
[6]	Illuminating seal MEB-LD	9
[7]	Plug socket MSSD-EB	9
[8]	Plug socket with cable KMEB	9

1) Only necessary for individual mounting. Mounting bracket MS4-WPE-B [4] is required for mounting.

Datasheet

General technical data	
Size	4
Pneumatic connection 1	G1/4
Pneumatic connection 2	G1/4
Pneumatic connection 3	G1/4
Design	Poppet valve, electrically actuated
Type of mounting	Via wall/surface bracket
Mounting position	Vertical +/-5°
Valve function	3/2-way, closed, single solenoid
Manual override	Non-detenting and detenting
Reset method	Mechanical spring
Type of control	Piloted
Pilot air supply	Internal
Signal status display	With accessories

Electrical data	
Characteristic coil data	24 V DC: 3.0 W
Permissible voltage fluctuation	+/- 10%
Electrical connection	Type C, to EN 175301-803
Degree of protection	IP65
Switch-on time	29 ms

Characteristic flow rate values	
Size	4
Standard nominal flow rate ¹⁾	2000 l/min
Standard flow rate, exhaust ²⁾	1600 l/min
C value	8.36 l/sbar
b value	0.49

1.) Measured at p₁ = 6 bar and p₂ = 5 bar, Δp = 1 bar.

2.) Measured at p₁ = 6 bar and p₂ = 0 bar, Δp = 6 bar.

Operating and environmental conditions	
Operating pressure (MPa)	0.3 ... 0.7 MPa
Operating pressure (bar)	3 ... 7 bar
Operating medium	Compressed air to ISO 8573-1:2010 [7:4:4]
PWIS conformity	VDMA24364-B1/B2-L
Ambient temperature	-5 ... 50°C
Temperature of medium	-5 ... 50°C
Corrosion resistance class CRC ¹⁾	1 - Low corrosion stress

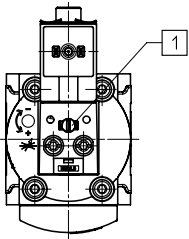
1) Corrosion resistance class CRC 1 to Festo standard FN 940070. Low corrosion stress. Dry internal application or transport and storage protection. Also applies to parts behind covers, in the non-visible interior area, or parts which are covered in the application (e.g. drive trunnions).

Weight	
Size	4
Product weight	194 g

Materials	
Housing material	Reinforced PA
Sealing material	HNBR, NBR
Note on materials	RoHS-compliant

Datasheet

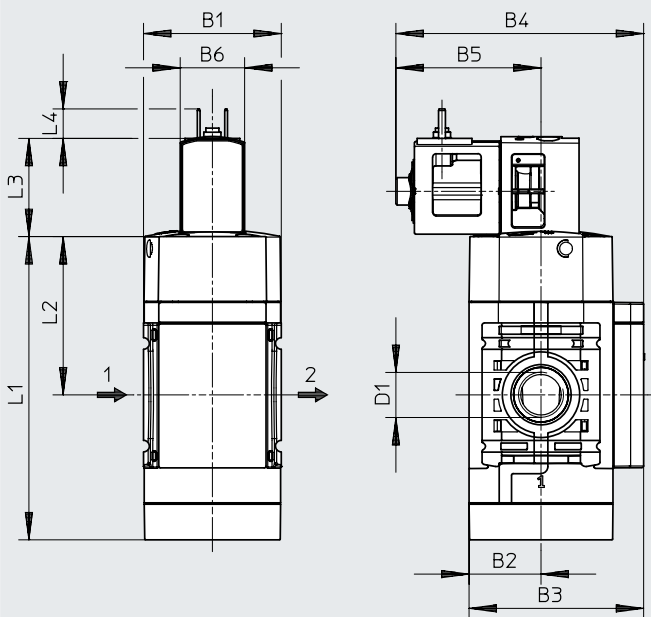
Manual override



[1] Detenting and non-detenting manual override

Dimensions – Basic version

Download CAD data → www.festo.com



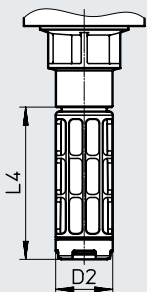
[1] Plug connection to EN 175301-803

→ Flow direction

Type	B1	B2	B3	B4	B5	B6	D1	L1	L2	L3	L4
MS4-EE...-B	40.2	21	50.9	72.3	42.4	18.8	G1/4	88.5	46.2	28.7	8.6

Dimensions – Silencer (accessories)

Download CAD data → www.festo.com



Type	D2	L4
U-1/4	20	55

Datasheet

★ Core Range

Ordering data		Part no.	Type
Pneumatic connection 1		★ 8091771	MS4-EE-1/4-V24-B
G1/4			

Accessories

Wall mounting kit

MS...-WPE-B

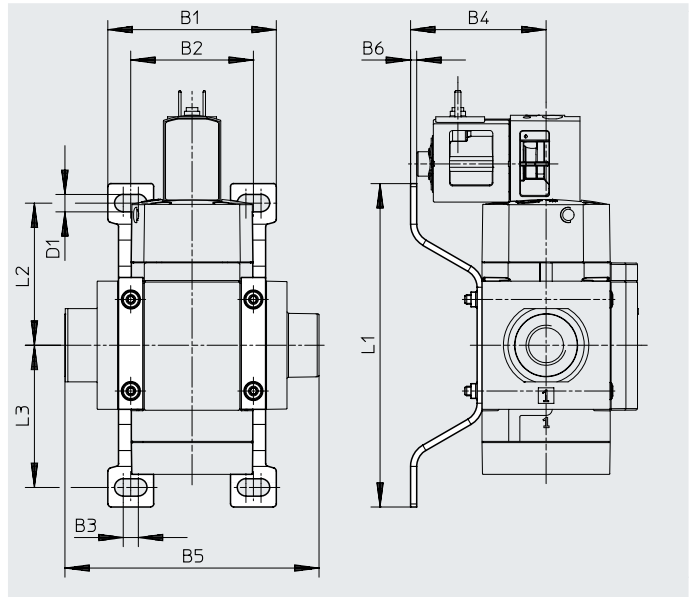
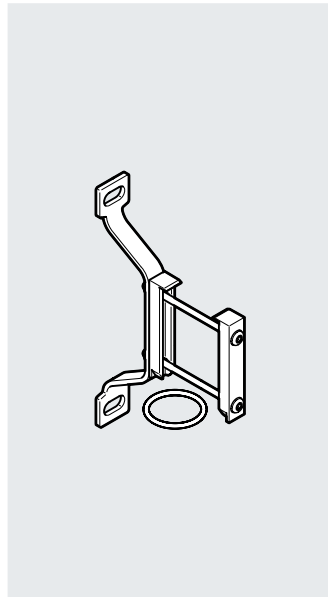
For size 4

- For wall mounting

Materials:

Steel

RoHS-compliant

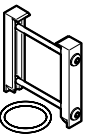


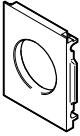
Dimensions and ordering data


Size	B1	B2	B3	B4	B5	B6	D1 ∅	L1	L2	L3	Weight [g]	Part no.	Type
4	55.2	40.2	5	44.4	83.3	2	5.7	106	46.6	46.6	30	8118600	MS4-WPE-B

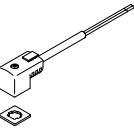
Accessories

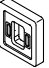
★ Core Range

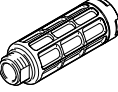
Ordering data – Module connector MS...-MV1				
	Size	Description	Part no.	Type
	4	For connecting the modules for wall mounting	8119201	MS4-MV1

Ordering data – Mounting plate MS...-AEND				
	Size	Description	Part no.	Type
	4	In combination with mounting bracket MS...-WPE-B for wall mounting an individual component	542966	MS4-AEND

Ordering data – Plug socket MSSD				
	Electrical connection	Cable connection	Part no.	Type
	3-pin	Screw terminal	★ 151687	MSSD-EB
	4-pin	Insulation displacement connector	192745	MSSD-EB-S-M14

Ordering data – Plug socket with cable KMEB						
	Operating voltage	Electrical connection	Switching status indication	Cable length [m]	Part no.	Type
	24 V DC	2-pin	LED	2.5	547268	KMEB-3-24-2.5-LED
				5	547269	KMEB-3-24-5-LED
			-	2.5	547270	KMEB-3-24-2.5
				5	547271	KMEB-3-24-5
		3-pin	LED	2.5	★ 151688	KMEB-1-24-2.5-LED
				5	151689	KMEB-1-24-5-LED
			-	2.5	193457	KMEB-1-24-10-LED
				10		

Ordering data – Illuminating seal MEB-LD				Datasheets → Internet: meb, mc	
	Description	Operating voltage range	Part no.	Type	
	For plug socket with cable KMEB and plug socket MSSD-EB	12 ... 24 V DC	151717	MEB-LD-12-24DC	

Ordering data – Silencer U			
	Pneumatic connection	Part no.	Type
	G1/4	2316	U-1/4