

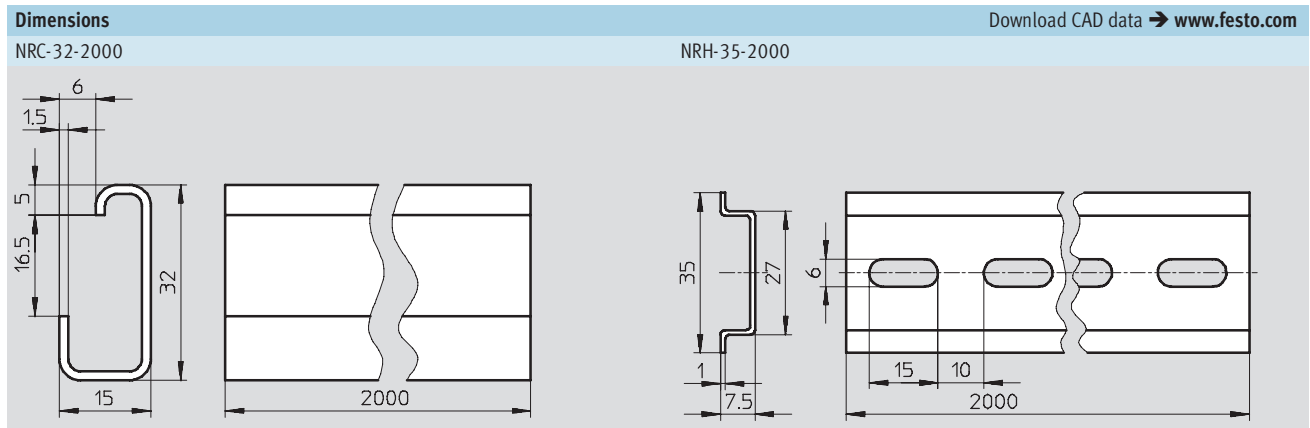
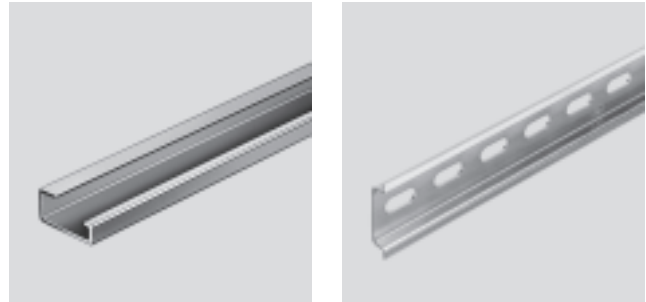
Mounting rails NRC/NRH

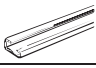

Technical data



Mounting rails for manifold mounting of components.

- G rail to DIN EN 50 035
- H rail to EN 60715



Ordering data						
	Description	Length [m]	Product weight [g]	Material	Part No.	Type
	G rail to DIN EN 50 035	2	1400	Galvanised steel	6 756	NRC-32-2000
	H rail to EN 60715	2	600	Galvanised steel	35 430	NRH-35-2000¹⁾

1) Free of copper, PTFE and silicone