

Pressure regulators LR/LRS



- 1 - Type discontinued
Available up until 2013

Pressure regulators LR/LRS

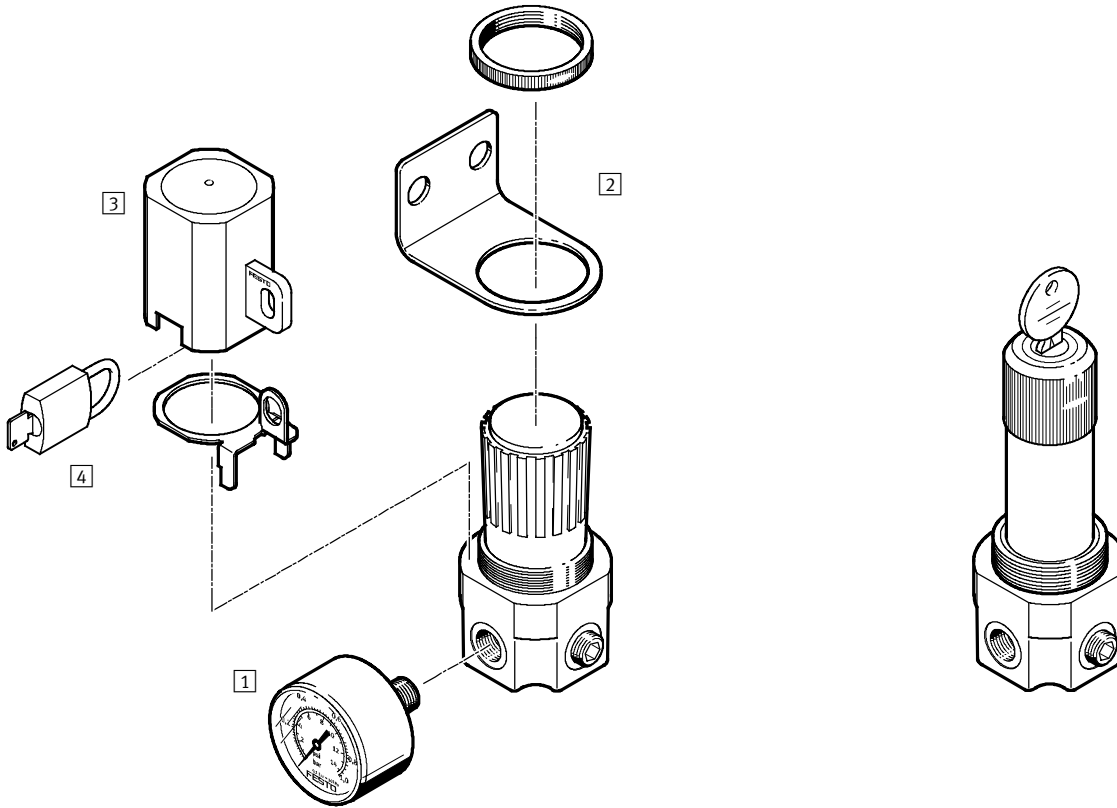
Peripherals overview and type codes

FESTO

Peripherals overview

Pressure regulator LR

Pressure regulator LRS, lockable



Mounting attachments and accessories		→ Page/Internet
1	Pressure gauge MA	ma
2	Mounting bracket HR-D	7
3	Regulator lock LRVS-G-1/8 with lock plate	7
4	Padlock LRVS-D	7

Type codes

LR - 1/8 - G - 7

Service function

LR	Pressure regulator
LRS	Pressure regulator, lockable

Pneumatic connection

1/8	Thread G1/8
-----	-------------

Version code

G	Version code
---	--------------

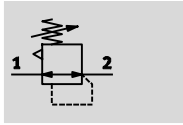
Pressure regulation range




7	0.5 ... 7 bar
	0.5 ... 12 bar

Pressure regulators LR/LRS

Technical data

Function



-  Flow rate
600 ... 700 l/min
-  Temperature range
-10 ... +80 °C
-  Operating pressure
1 ... 20 bar

The pressure regulator is free of paint-wetting impairment substances.



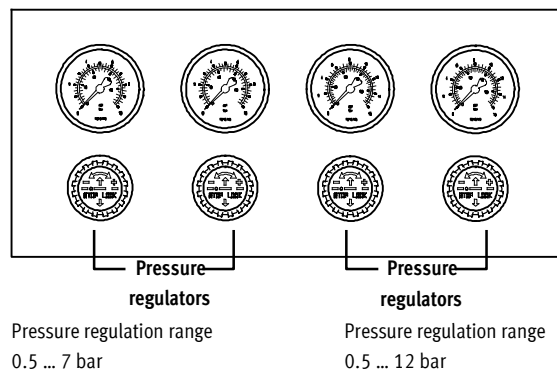
- Larger design (brass housing)
- Good flow rate performance
- Precise diaphragm regulator
- Detenting rotary knob
- Identical mounting basket to D series
- Suitable for input pressures up to $p_1 = 20$ bar
- 2 pressure regulation ranges:
0.5 ... 7 bar and 0.5 ... 12 bar

The pressure regulator maintains an essentially constant working pressure at the regulator outlet, regardless of pressure fluctuations in the compressed air network. The regulated operating pressure can be reduced by means of the built-in secondary exhaust, even without compressed air consumers.

The pressure regulator is available in two design variants:

- LR(S)- $\frac{1}{8}$ -G for standard applications.
- LR(S)- $\frac{1}{8}$ -G-7 for special individual cases, e.g. regulators in the pressure range up to 7 bar. This variant demonstrates optimal flow and control characteristics.

Panel mounting



General technical data		
Type	LR(S)- $\frac{1}{8}$ -G-7	LR(S)- $\frac{1}{8}$ -G
Pneumatic connection 1, 2	G $\frac{1}{8}$	
Design	Diaphragm regulator with through compressed air supply	
Regulator type	Output pressure constant, with primary pressure compensation, with secondary venting	
Type of mounting	Via accessories	
	In-line installation	
	Front panel mounting, installation hole $\varnothing 36.5$ mm	
Mounting position	Any	
Actuation security	Rotary knob with detent	
	Rotary knob with integrated lock	
Pressure regulation range [bar]	0.5 ... 7	0.5 ... 12
Max. hysteresis [bar]	0.2	
Pressure display	G $\frac{1}{8}$ prepared	

Standard nominal flow rate $q_{nN}^{(1)}$ [l/min]		
Pressure regulation range	0.5 ... 7 bar	700
	0.5 ... 12 bar	600

1) Measured at $p_1 = 10$ bar and $p_2 = 6$ bar, $\Delta p = 1$ bar

- 1 - Type discontinued
Available up until 2013

Pressure regulators LR/LRS

Technical data

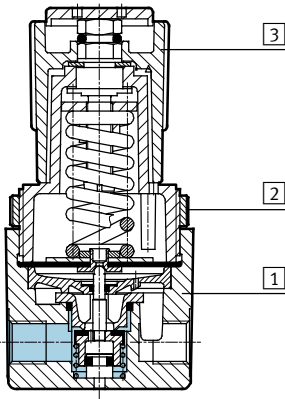
FESTO

Operating and environmental conditions	
Operating pressure [bar]	1 ... 20
Operating medium	Compressed air in accordance with ISO 8573-1:2010 [7:4:4]
Note on operating/pilot medium	Operation with lubricated medium possible (in which case lubricated operation will always be required)
Ambient temperature [°C]	-10 ... +80
Temperature of medium [°C]	-10 ... +80
Storage temperature [°C]	-10 ... +80

Weights [g]		
	LR	LRS
Pressure regulator	320	420

Materials

Sectional view

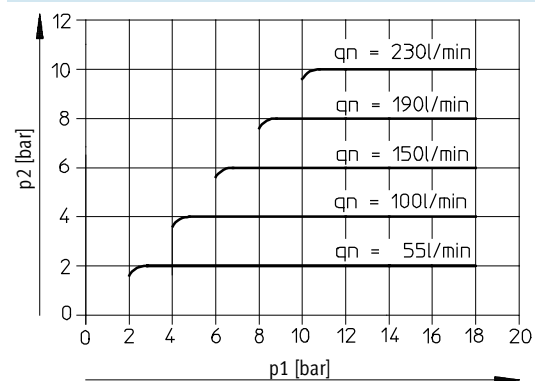


Pressure regulator	
1	Housing Brass
2	Knurled nut Aluminium
3	Rotary knob PA
-	Seals NBR

Primary pressure compensation –

Input pressure p_1 as a function of output pressure p_2

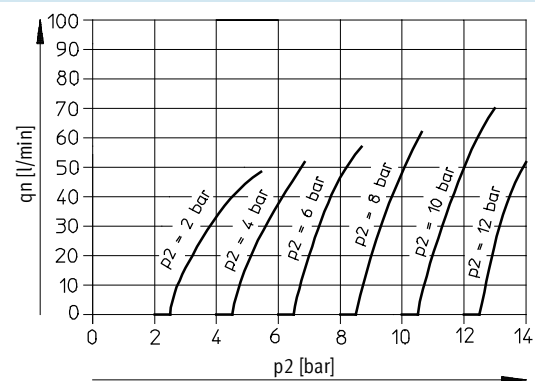
LR(S)-1/8-G(-7)



Secondary venting –

Output pressure p_2 as a function of standard flow rate q_n

LR(S)-1/8-G(-7)

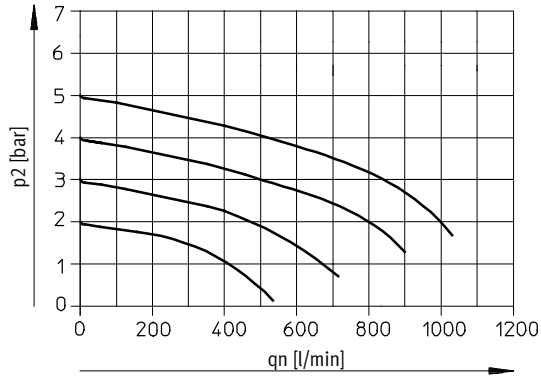


Pressure regulators LR/LRS

Technical data

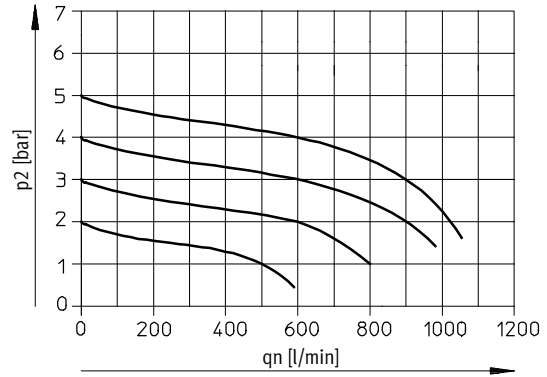
Standard flow rate q_n as a function of the output pressure p_2

LR(S)-1/8-G



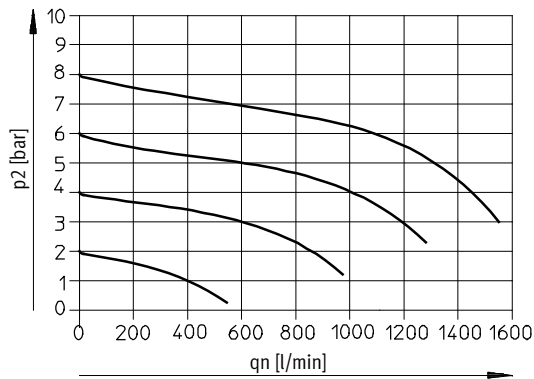
Input pressure $p_1 = 7$ bar

LR(S)-1/8-G-7



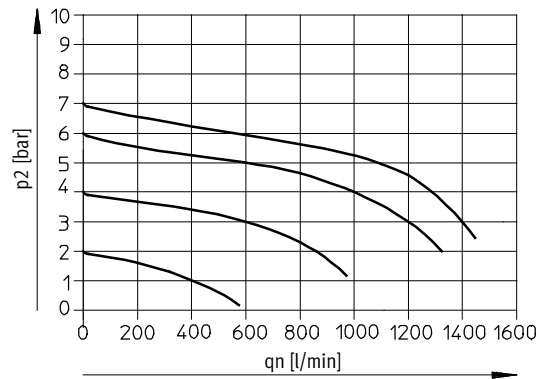
Input pressure $p_1 = 7$ bar

LR(S)-1/8-G



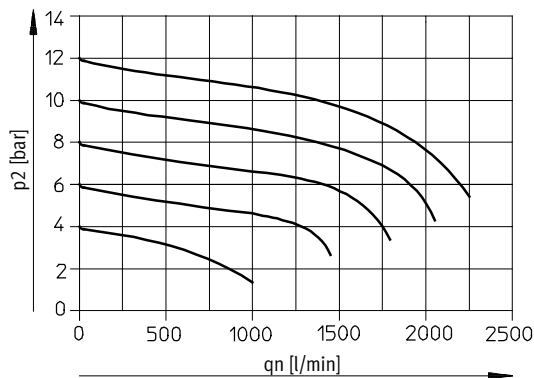
Input pressure $p_1 = 10$ bar

LR(S)-1/8-G-7



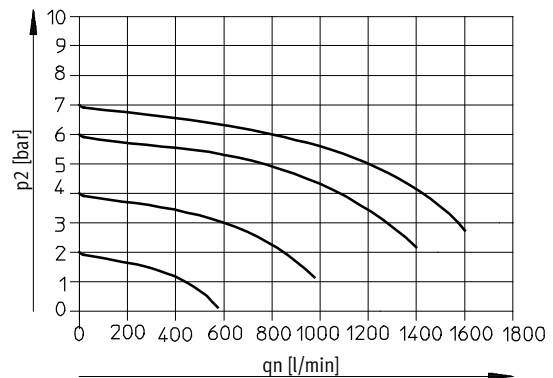
Input pressure $p_1 = 10$ bar

LR(S)-1/8-G

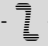


Input pressure $p_1 = 14$ bar

LR(S)-1/8-G-7



Input pressure $p_1 = 14$ bar

 Type discontinued
Available up until 2013

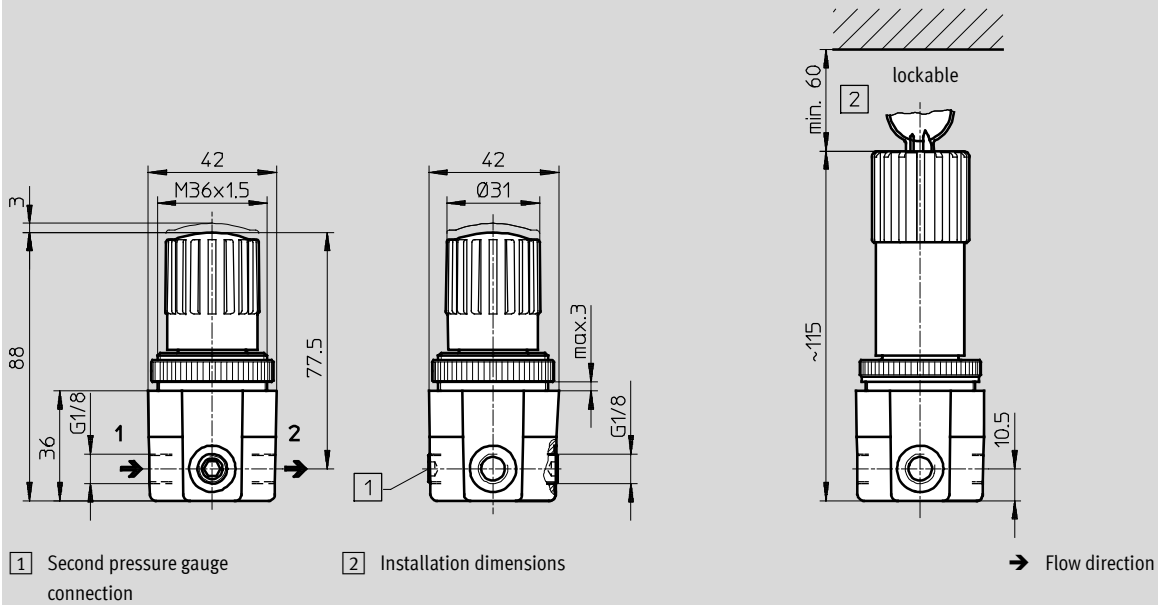
Pressure regulators LR/LRS

Technical data

FESTO


Dimensions

Download CAD data → www.festo.com



Ordering data

Connection	Pressure regulation range 0.5 ... 7 bar		Pressure regulation range 0.5 ... 12 bar	
	Part No.	Type	Part No.	Type
G1/8	159506	LR-1/8-G-7	159505	LR-1/8-G
lockable				
G1/8	194695	LRS-1/8-G-7	194694	LRS-1/8-G

 Type discontinued
Available up until 2013

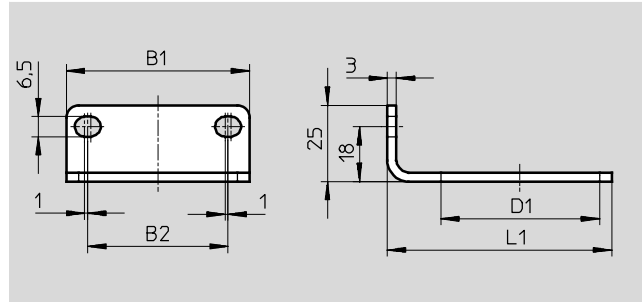
FESTO

Pressure regulators LR/LRS

Accessories

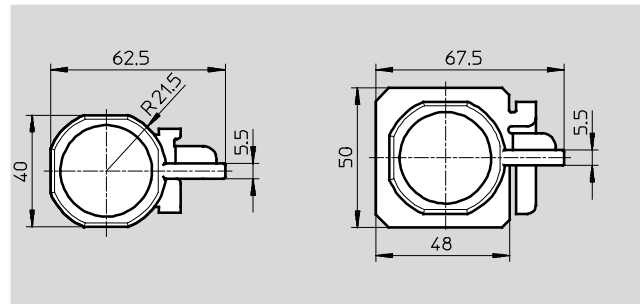
Mounting bracket HR-D
for wall mounting

Material:
Galvanised steel



Ordering data				
B1	B2	D1	L1	Part No. Type
42	28	36 Ø	57.5	164936 HR-D-MINI

Regulator lock LRVS



Ordering data			
Connection	Weight [g]	Part No.	Type
G $\frac{1}{8}$	36	196080	LRVS-G- $\frac{1}{8}$

Padlock LRVS-D

Material:
Housing: Brass

Ambient temperature:
-20 ... +60 °C



Ordering data		
Weight [g]	Part No.	Type
120	193786	LRVS-D