

Type codes

001	Series
KRP	Connecting cable, socket connection pattern ZC, self-tapping screw

002	Variant
1	Variant 1

003	Rated operating voltage
24	24 V DC

004	Cable length [m]
2.5	2.5
5	5

Data sheet

Connecting cable KRP-1

- Connecting cable for connecting relay plates (valve terminal CPV10 and CPV14)
- Pre-assembled
- Cable lengths: 2.5 m and 5 m
- 2-pin socket
- Not suitable for energy chains



General technical data

Electrical connection	Angled socket, 2-pin	
Type of mounting	With through-hole	
Mounting position	Any	
Cable composition	[mm ²]	2x 0.25
Cable diameter	[mm]	3.5
Operating voltage range	[V DC]	0 ... 26
	[V AC]	0 ... 20
Current rating	[A]	1
Degree of protection	IP65	

Materials

Housing	PUR	
Pin contacts	Bronze	
Cable sheath	PVC	

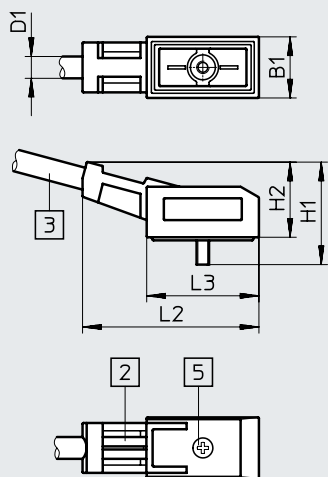
Operating and environmental conditions

Ambient temperature	[°C]	-10 ... +50
CE marking (see declaration of conformity) ¹⁾	To EU RoHS Directive	

1) Additional information is available at www.festo.com/sp → Certificates.

Dimensions


Download CAD data → www.festo.com

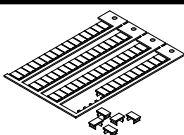


- [2] Holder for inscription label (IBS-6x10)
- [3] 2-wire cable 2.5 m or 5 m (2x0.25 mm²)
- [5] Retaining screw

Type	B1	D1 ∅	H1	H2	L1	L2
KRP-1	9.8	3.4	16.4	12	28.3	18

Data sheet

Ordering data						
	Electrical connection		Cable length [m]	Weight [g]	Part no.	Type
	Field device side	Controller side				
	Socket, plug pattern ZC, self-tapping screw	Open cable end	2.5	49	165612	KRP-1-24-2.5
			5	94	165613	KRP-1-24-5

Ordering data – Accessories						
					Part no.	Type
	Inscription labels in frame, 64 labels		6x10 mm		18576	IBS-6x10