

## Electrical connection technology, for multi-pin plug connection

FESTO

Technical data – KMP2-03-...

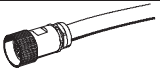
- Plug socket with cable for multi-pin connection of 24 inputs/outputs or 24 solenoid coils/valves
- Pre-assembled
- Cable lengths of 10 m or by customer request

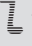
-  - Note

The only difference between KMP2-03-E-... (variant for inputs/outputs) and KMP2-03-V-... (variant for valves) lies in the different reverse polarity protection in the plug.



| General technical data                             |                    | KMP2-03-...  |
|--|--------------------|--|
| Type   |                    | KMP2-03-...  |
| Type of mounting                                   |                    | Knurled ring   |
| Mounting position                                  |                    | Any  |
| Operating voltage range                            | [V]                | Max. 250 AC  |
|  | [V]                | Max. 300 DC  |
| Current-carrying capacity                          | [A]                | 7.5  |
| Cable composition                                  | [mm <sup>2</sup> ] | 26x0.75  |
| Cable colour code                                  |                    | Black wires with continuous white numbering (1 ... 26) |
| Cable diameter                                     | [mm]               | 15   |
| Protection class to EN 60 529                      |                    | IP65 (assembled)                                       |
| Material of housing                                |                    | Nickel-plated copper base alloy                        |
| Material of seal                                   |                    | Neoprene, light and oil resistant                      |
| Material of contacts                               |                    | Gold-plated copper base alloy                          |
| Material of cable sheath                           |                    | Polyvinyl chloride                                     |
| Ambient temperature                                | [°C]               | -20 ... +80  |
| Ambient temperature of flexible cable installation | [°C]               | -5 ... +80   |

| Ordering data   |                       |                |                |              |                 |          |
|---|-----------------------|----------------|----------------|--------------|-----------------|----------|
| View  | Electrical connection | Product weight |                | Cable length | Type            | Part No. |
|   |                       | Cable [g/m]    | Total [g]      |              |                 |          |
|  | 26-pin plug socket    |                | 3600           | 10           | KMP2-03-E-10-26 | 175 665  |
|   | 26-pin plug socket    | Approx. 350    | Acc. to length | Any          | KMP2-03-E-X-26  | 18 683   |
|   | 26-pin plug socket    |                | 3637           | 10           | KMP2-03-V-10-26 | 175 667  |
|   | 26-pin plug socket    | Approx. 350    | Acc. to length | Any          | KMP2-03-V-X-26  | 18 681   |

-  - Type discontinued  
Available up until 2017

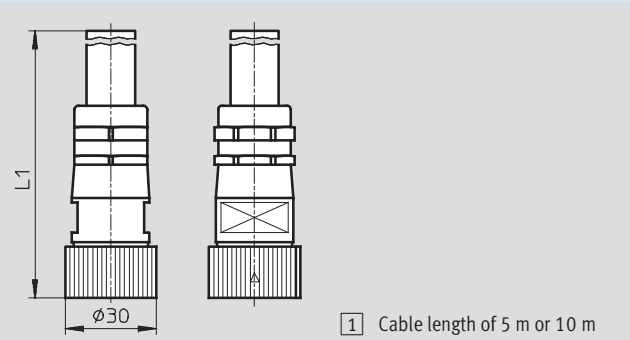
## Electrical connection technology, for multi-pin plug connection

FESTO

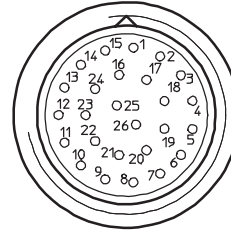
Technical data – KMP2-03-...

### Dimensions

KMP2-03-...

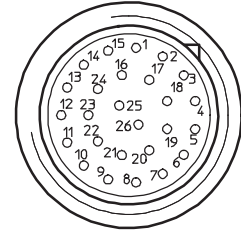


Plug socket, N-coded  
(KMP2-03-V-...)



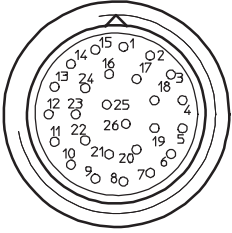
Download CAD data → [www.festo.com](http://www.festo.com)

Plug socket, Y-coded  
(KMP2-03-E-...)



### Wiring allocation (soldering side view)

KMP2-03-...

|  | Pin | Wire number | Pin | Wire number | Pin | Wire number |
|--|-----|-------------|-----|-------------|-----|-------------|
|  | 1   | 1           | 10  | 10          | 19  | 19          |
|  | 2   | 2           | 11  | 11          | 20  | 20          |
|  | 3   | 3           | 12  | 12          | 21  | 21          |
|  | 4   | 4           | 13  | 13          | 22  | 22          |
|  | 5   | 5           | 14  | 14          | 23  | 23          |
|  | 6   | 6           | 15  | 15          | 24  | 24          |
|  | 7   | 7           | 16  | 16          | 25  | 25          |
|  | 8   | 8           | 17  | 17          | 26  | 26          |
|  | 9   | 9           | 18  | 18          | –   | –           |