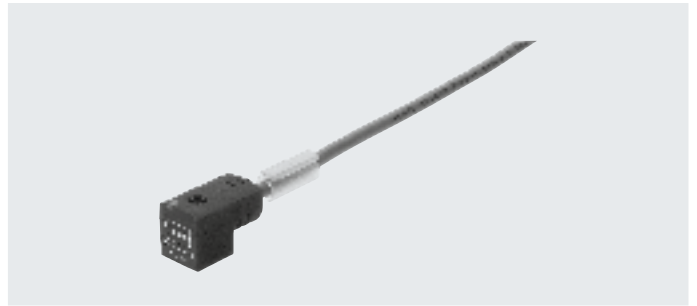


Data sheet

Plug socket with cable KME

- Plug socket with cable for valves with E solenoid coils
- Pre-assembled
- Cable lengths 2.5 to 10 m



General technical data

Electrical connection	Angled socket, square design, 3-pin, type C (industrial type)	
	Open end, 2-wire	
Switching position indication	Yellow LED	
Protective earth connection	Not provided	
Nominal operating voltage	[V DC]	24
Current rating	[A]	4
Cable composition	[mm ²]	2x0.75
Cable diameter	[mm]	5.2
Cable diameter tolerance	[mm]	±0.1
Min. cable bending radius	[mm]	52
Cable characteristic	For static applications	
Type of mounting	On solenoid valve with M3 central screw	
Tightening torque of plug socket	[Nm]	Max. 0.35
Mounting position	Any	
Degree of protection to EN 60529	IP67 (assembled)	

Materials

Housing	TPE-U(PU)
Seals	NBR
Pin contact	Bronze
Cable sheath	PVC
PWIS conformity	VDMA24364-B2-L

Operating and environmental conditions

Ambient temperature	[°C]	-20 ... +80
Corrosion resistance class CRC ¹⁾		1
CE marking (see declaration of conformity) ²⁾		To EU RoHS Directive
UKCA marking (see declaration of conformity) ²⁾		To UK RoHS regulations

1) Corrosion resistance class CRC 1 to Festo standard FN 940070.

Low corrosion stress. Dry internal application or transport and storage protection. Also applies to parts behind covers, in the non-visible interior area, or parts that are covered in the application (e.g. drive trunnions).

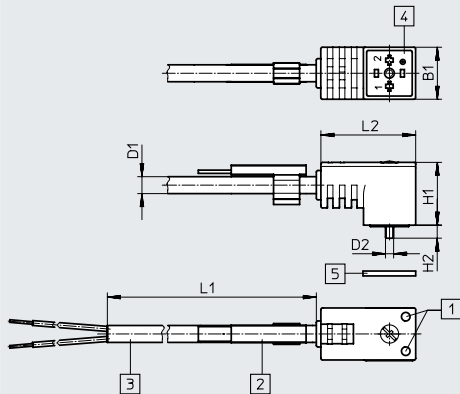
2) For information about the area of use, see the EC declaration of conformity at: www.festo.com/catalogue/... → Support/Downloads.

If the devices are subject to usage restrictions in residential, commercial or light-industrial environments, further measures for the reduction of the emitted interference may be necessary.

Data sheet

Dimensions

Download CAD data → www.festo.com



- [1] LED illuminated area
- [2] Inscription label holder ASCF with label ASLR-L-423 (scope of delivery)
- [3] 2-wire cable (2x 0.75 mm²)
- [4] Plug pattern type C
- [5] Seal

Type	B1	D1	D2	H1	H2	L1	L2
KME-1-24DC-2.5-LED	16	5.2	M3	19.3	4	2500	29.1
KME-1-24DC-5-LED						5000	
KME-1-24-10-LED						10000	

Ordering data

Electrical connection	Length [m]	Product weight [g]	Part no.	Type
Angled socket, square design, 3-pin, type C	2.5	135	30943	KME-1-24DC-2.5-LED
	5	280	30945	KME-1-24DC-5-LED
	10	570	193455	KME-1-24-10-LED