

Electrical connection technology, for fieldbus connection

Product range overview

Overview of fieldbus sockets/plugs for valve terminals							
Bus plug	Valve terminal						→ Page
	Type 04	Type 10 ¹⁾	Type 03	Type 02	Type ECP	Type 50	
FBA-1-KL-5POL	-	■	-	-	■	■	4 / 5.1-94
FBA-1-SL-5POL	-	■	-	-	■	■	4 / 5.1-94
FBA-2-M12-5POL	-	-	-	-	-	■	4 / 5.1-94
FBA-2-M12-5POL-RK	■	■	■	■	■	■	4 / 5.1-94
CPX-AB-2-M12-RK-IB	-	-	-	-	-	■	4 / 5.1-97
FB-TA	■	■	■	■	■	-	4 / 5.1-100
FB-TA1	■	■	■	■	■	-	4 / 5.1-100
FB-TA-M12-5POL	■	■	■	-	■	-	4 / 5.1-100
FBS-SUB-9-GS-DP-B	■	■	■	■	■	■	4 / 5.1-92
FBS-SUB-9-BU-2x5POL-B	-	■	-	-	-	■	4 / 5.1-92
FBS-SUB-9-GS-2 x 4POL-B	-	-	-	-	-	■	4 / 5.1-92
FBS-SUB-9-GS-IB-B	-	■	-	-	-	■	4 / 5.1-92
FBS-SUB-9-BU-IB-B	-	■	-	-	-	■	4 / 5.1-92
FBS-M12-5GS-PG9	■	■	■	■	■	-	4 / 5.1-90
FBSD-GD-7	■	■	■	■	■	-	4 / 5.1-90
FBSD-GD-9	■	■	■	■	■	-	4 / 5.1-90
FBSD-GD-9-5POL	■	■	■	■	■	-	4 / 5.1-90
FBSD-GD-9-13,5	■	■	■	■	■	-	4 / 5.1-90
FBSD-WD-7	■	■	■	■	■	-	4 / 5.1-90
FBSD-WD-9	■	■	■	■	■	-	4 / 5.1-90
FBSD-KL-2 x 5POL	-	■	-	-	■	■	4 / 5.1-94

1) Fieldbus interface via CPV Direct

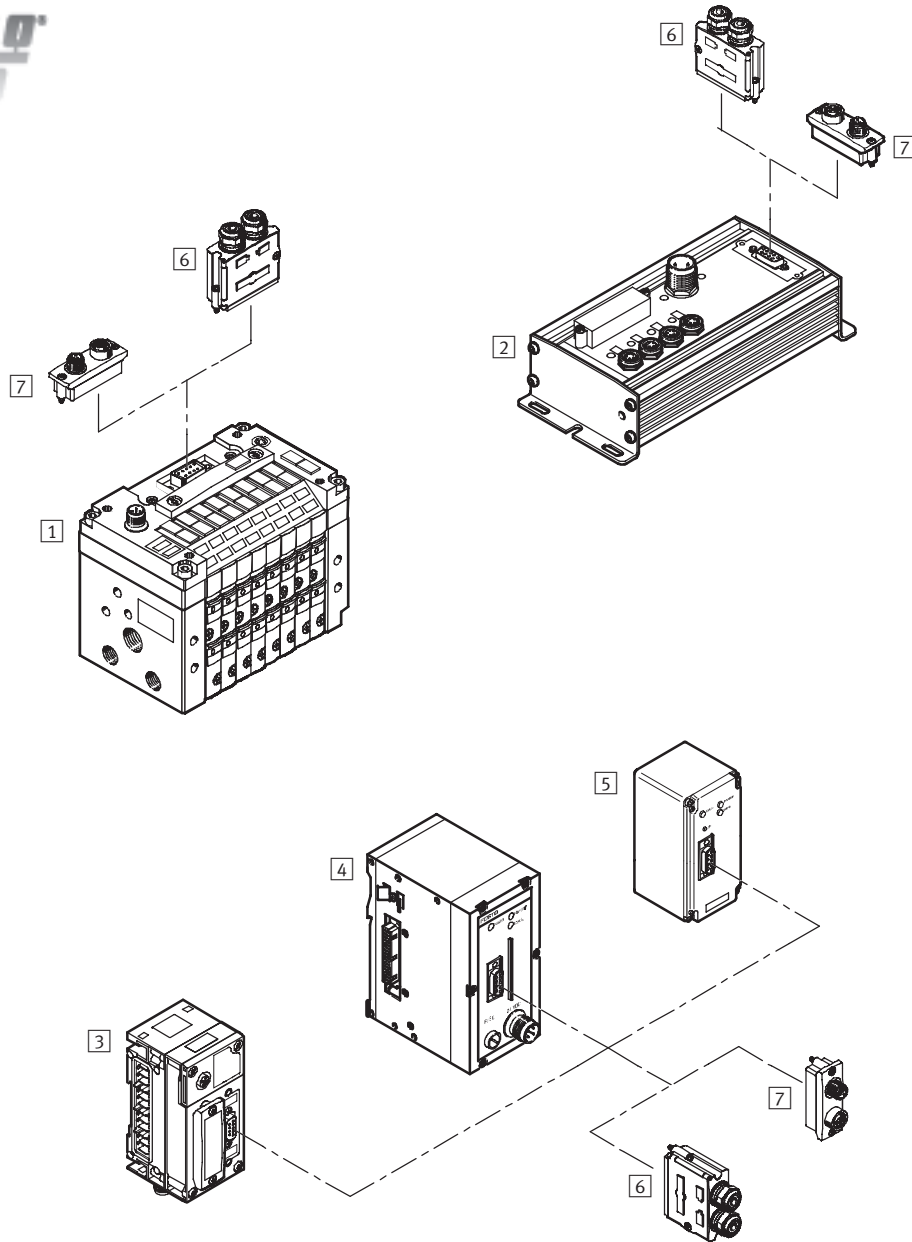
Overview of connecting cables for valve terminals					
Cable type	Valve terminal				→ Page
	Type 04	Type 10	Type 03	Type ECP	
KVI-CP-3-WS-WD-0,25	■	■	■	■	4 / 5.1-88
KVI-CP-3-WS-WD-0,5	■	■	■	■	4 / 5.1-88
KVI-CP-3-WS-WD-2	■	■	■	■	4 / 5.1-88
KVI-CP-3-WS-WD-5	■	■	■	■	4 / 5.1-88
KVI-CP-3-WS-WD-8	■	■	■	■	4 / 5.1-88
KVI-CP-3-GS-GD-2	■	■	■	■	4 / 5.1-88
KVI-CP-3-GS-GD-5	■	■	■	■	4 / 5.1-88
KVI-CP-3-GS-GD-8	■	■	■	■	4 / 5.1-88

Electrical connection technology, for fieldbus connection

Peripherals overview

FESTO

Profibus connection options



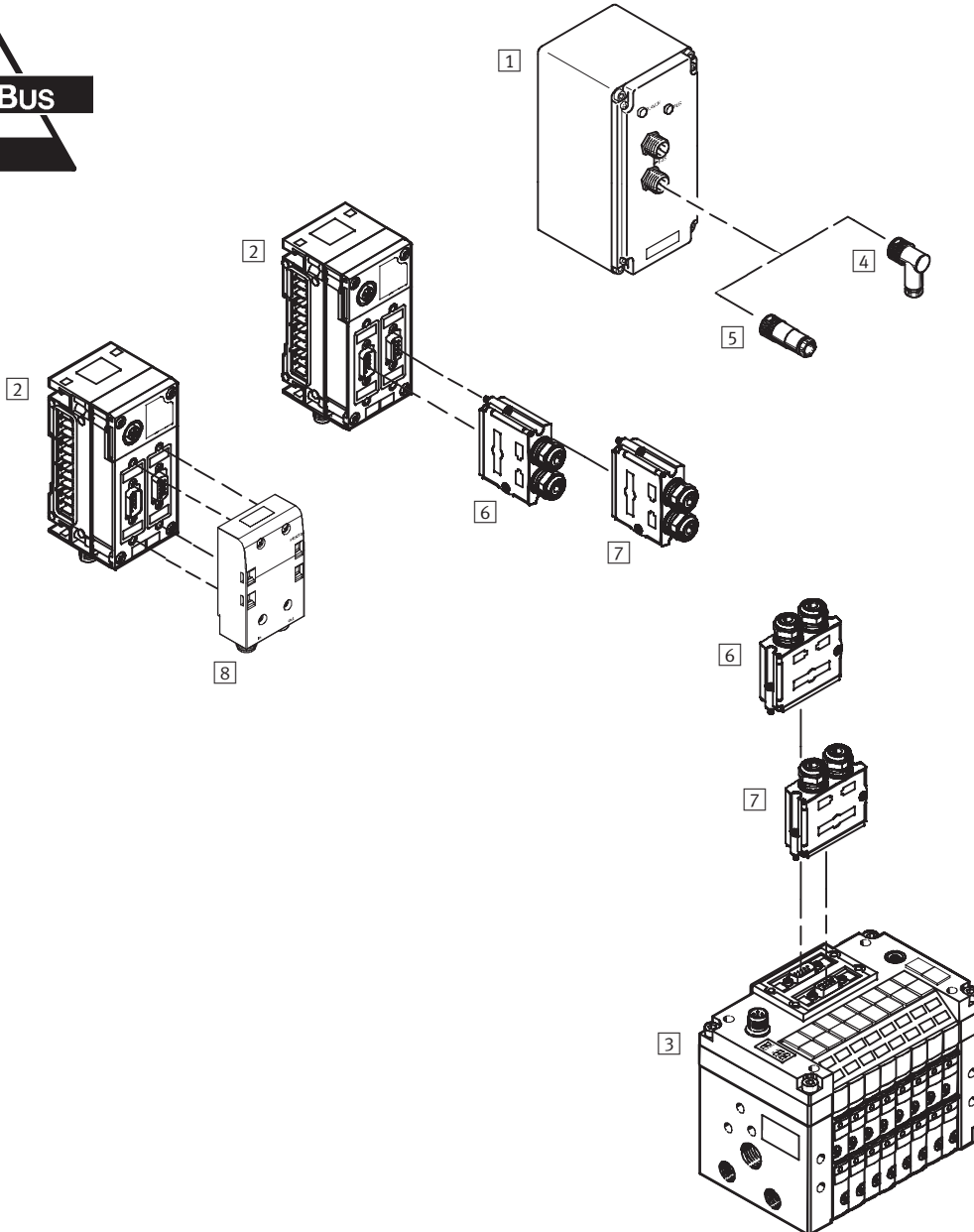
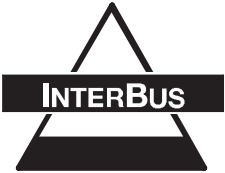
Accessories			
	Brief description	→ Page	
1	CPV- ... -GE-DI01-8	Fieldbus, directly integrated	4 / 4.7-7
2	CP-FB13-E	Fieldbus node, CP installation system	4 / 4.6-35
3	CPX-FB13	Fieldbus node, CPX terminal	4 / 4.8-62
4	IFB13-03	Fieldbus node, modular electrical peripherals for type 03/04	4 / 4.8-184
5	VIFB13-02	Fieldbus node, valve terminal type 02	4 / 2.3-1
6	FBS-SUB-9-GS-DP-B	Bus connection Sub-D	4 / 5.1-92
7	FBA-2-M12-5POL-RK	Bus connection, M12 adapter plug Reverse Key (B-coded)	4 / 5.1-94

Electrical connection technology, for fieldbus connection

Peripherals overview

FESTO

INTERBUS connection options

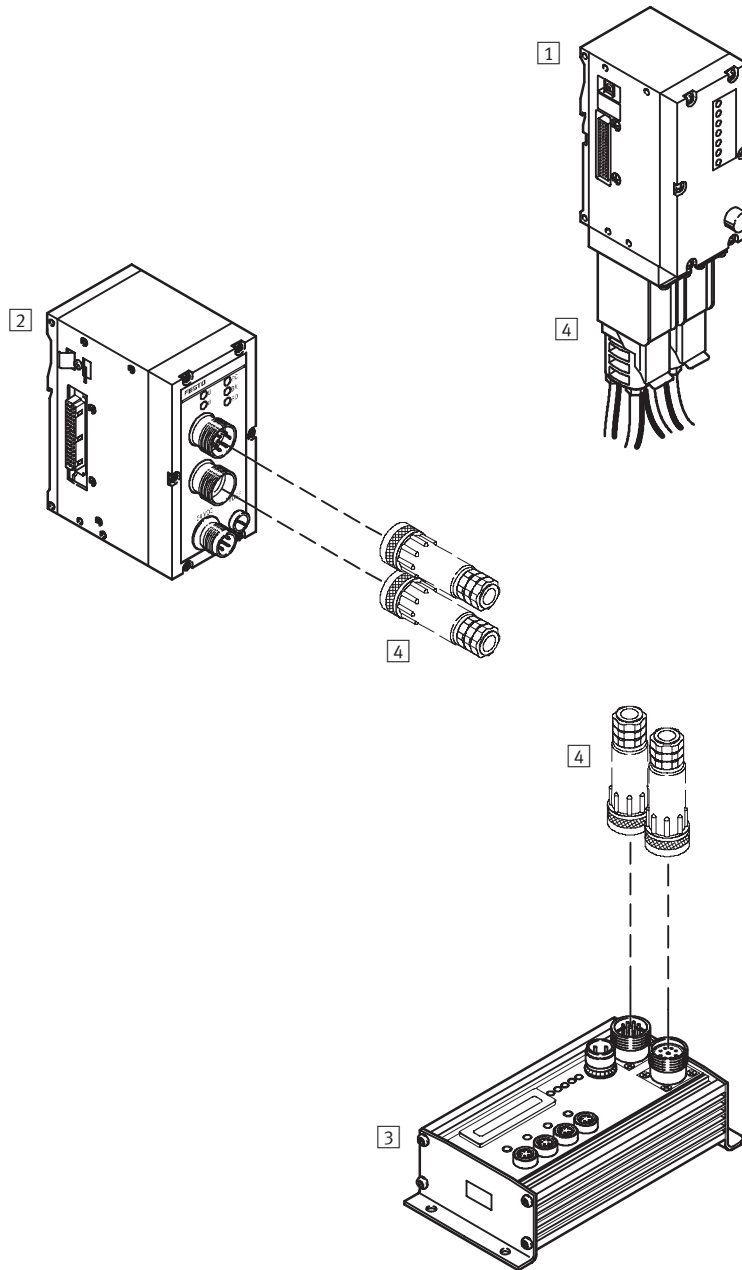


Accessories		
	Brief description	→ Page
1	VIFB6-02 Fieldbus node, valve terminal type 02	4 / 2.3-1
2	CPX-FB6 Fieldbus node, CPX terminal	4 / 4.8-54
3	CPV10-... -GE-IB-B Fieldbus, directly integrated	4 / 4.7-45
4	FBSD-WD-... Plug socket, angled (fieldbus)	4 / 5.1-90
5	FBSD-GD-... Plug socket, straight (fieldbus)	4 / 5.1-90
6	FBS-SUB-9-BU-IB-B Socket for fieldbus connection, Sub-D, incoming	4 / 5.1-92
7	FBS-SUB-9-GS-IB-B Plug for fieldbus connection, Sub-D, outgoing	4 / 5.1-92
8	CPX-AB-2-M12-RK-IB Connection block for CPX Interbus node from 9-pin Sub-D plug to 5-pin M12x1 plug with B-code (ReverseKey)	4 / 5.1-97

Electrical connection technology, for fieldbus connection

Peripherals overview

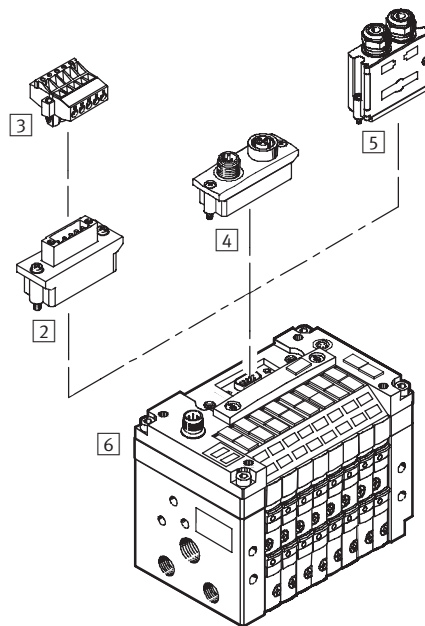
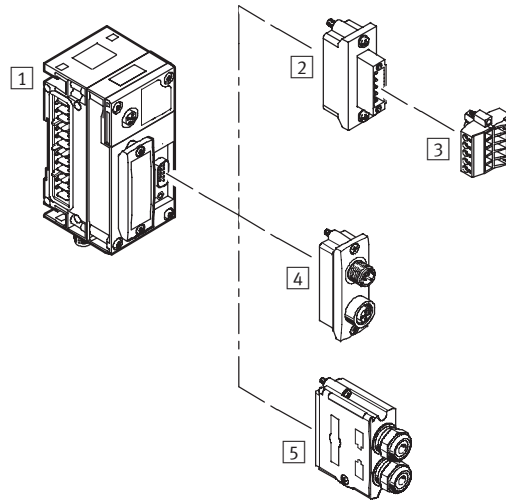
INTERBUS connection options



Accessories		Brief description	→ Page
1	IFB21-03	Fieldbus node, modular electrical peripherals for type 03/04, with Interbus connection via fibre optic cable	4 / 4.8-192
2	IFB6-03	Fieldbus node, modular electrical peripherals for type 03/04	4 / 4.8-168
3	CP-FB06-E	Fieldbus node, CP installation system	4 / 4.6-27
4		Non-Festo plugs	-

DeviceNet connection options

DeviceNet



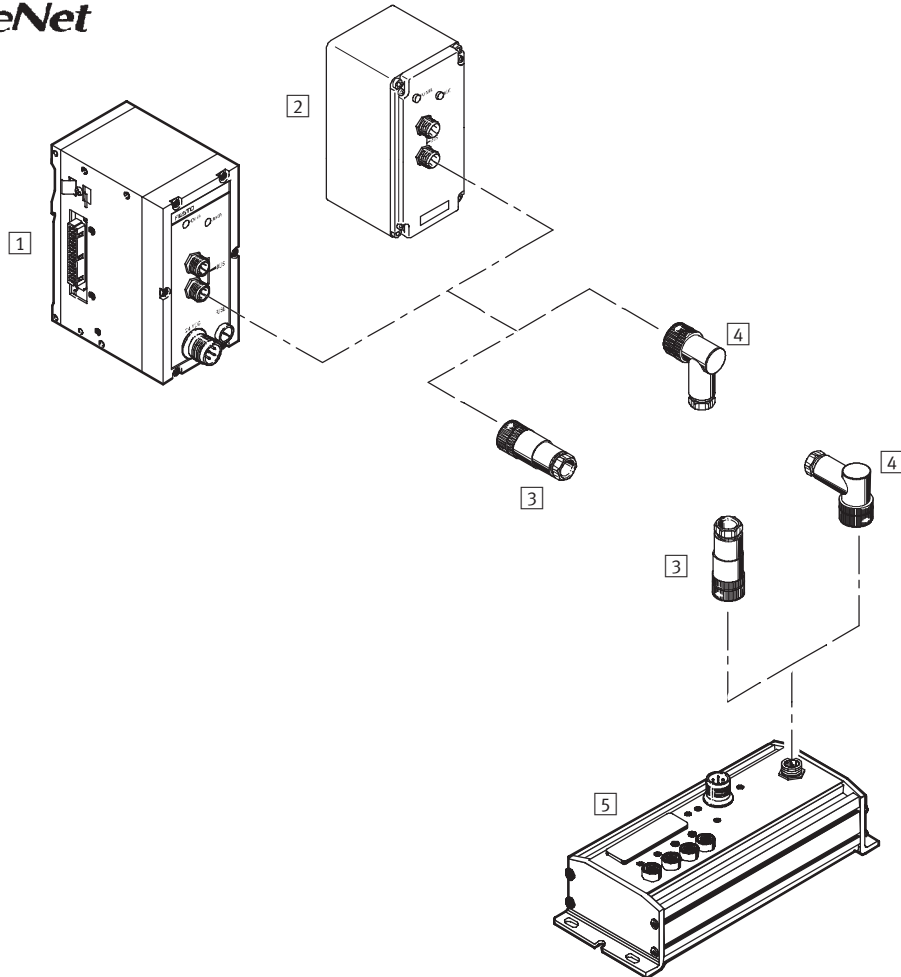
Accessories		Brief description	→ Page
1	CPX-FB11	Fieldbus node, CPX terminal	4 / 4.8-58
2	FBA-1-SL-5POL	Bus connection, adapter plug, 5-pin	4 / 5.1-94
3	FBSD-KL-2x5POL	Bus connection, screw connector, 2x5-pin	4 / 5.1-94
4	FBA-2-M12-5POL	Bus connection, adapter plug 2xM12, 5-pin (Micro Style)	4 / 5.1-94
5	FBS-SUB-9-BU-2x5POL-B	Plug for fieldbus connection, Sub-D	4 / 5.1-92
6	CPV-...-GE-DN2-8	Fieldbus, directly integrated	4 / 4.7-19

Electrical connection technology, for fieldbus connection

Peripherals overview

DeviceNet connection options

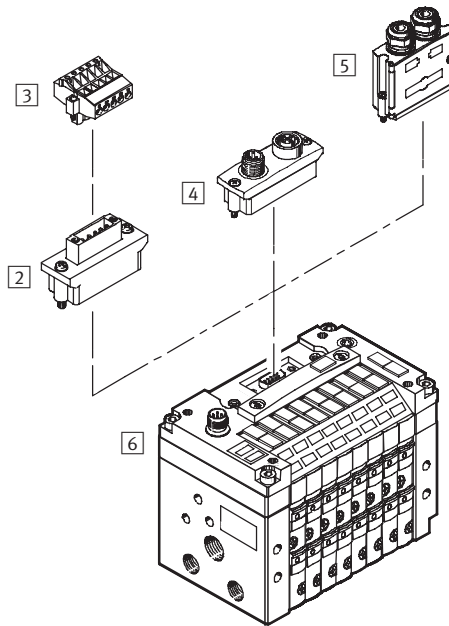
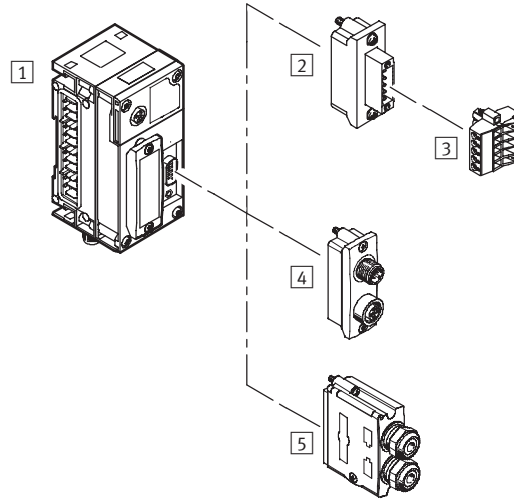
DeviceNet



Accessories		
	Brief description	→ Page
1	IFB11-03 Modular electrical peripherals, for type 03/04	4 / 4.8-176
2	VIFB6-02 Fieldbus node, valve terminal type 02	4 / 2.3-1
3	FBSD-GD-... Plug socket, straight (fieldbus)	4 / 5.1-90
4	FBSD-WD-... Plug socket, angled (fieldbus)	4 / 5.1-90
5	CP-FB11-E Fieldbus node, CP installation system	4 / 4.6-31

CANopen connection options

CANopen



Accessories		
	Brief description	→ Page
1	CPX-FB14 Fieldbus node, CPX terminal	4 / 4.8-66
2	FBA-1-SL-5POL Bus connection, adapter plug, 5-pin	4 / 5.1-94
3	FBSD-KL-2x5POL Bus connection, screw connector, 2x5-pin	4 / 5.1-94
4	FBA-2-M12-5POL Bus connection, adapter plug 2xM12, 5-pin	4 / 5.1-94
5	FBS-SUB-9-BU-2x5POL-B Plug for fieldbus connection, Sub-D	4 / 5.1-92
6	CPV-...-GE-C02-08 Fieldbus, directly integrated	4 / 4.7-35

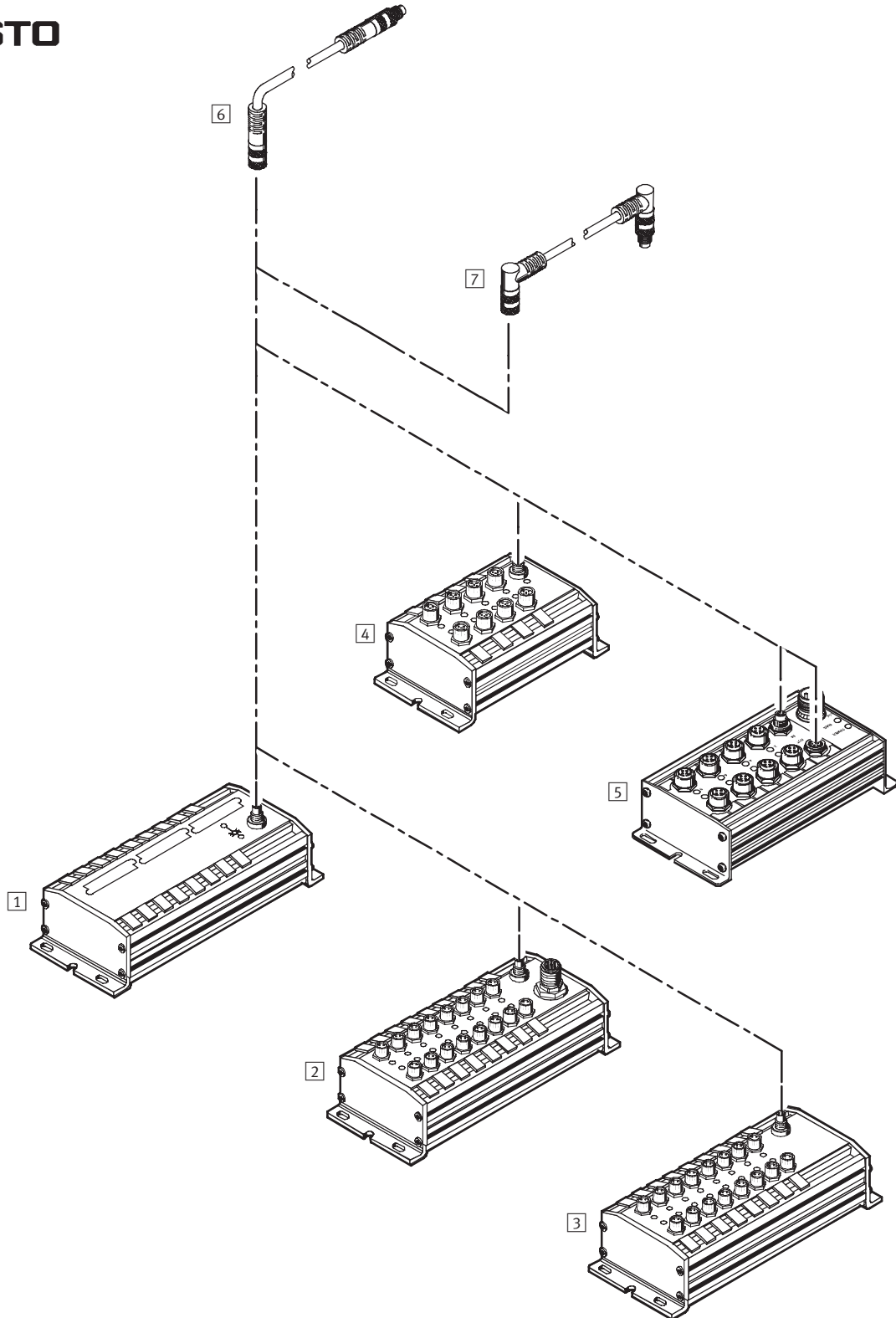
Electrical connection technology, for fieldbus connection

Peripherals overview

FESTO

Component connection options

FESTO



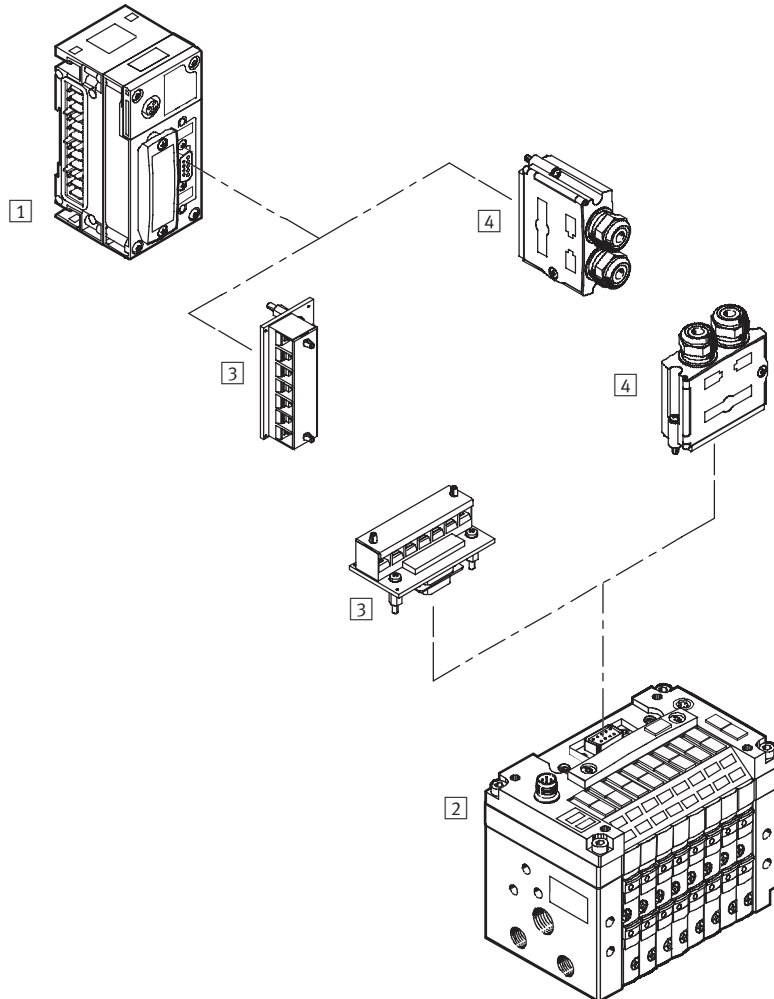
Electrical connection technology, for fieldbus connection

Peripherals overview

Accessories		
	Brief description	→ Page
1	CP-E16-EL-IP20-Z Input module with additional power supply for sensors	4 / 4.6-39
2	CP-E16-M8-Z Input module with additional power supply for sensors	4 / 4.6-39
3	CP-E16-M8 Input module with 16 inputs CP-E16N-M8 Input module with 16 inputs	4 / 4.6-39
4	CP-E16-M12x2-5POL Input module with 16 inputs CP-E16N-M12x2 Input module with 16 inputs	4 / 4.6-39
5	CP-A08-M12-5POL Output module with 8 outputs	4 / 4.6-53
6	KVI-CP-3-GS-GD Connecting cable, straight plug, straight socket	4 / 5.1-88
7	KVI-CP-3-WS-WD Connecting cable, angled plug, angled socket	4 / 5.1-88

CC-Link connection options

CC-Link



Accessories		Brief description	→ Page
1	CPX-FB23	Fieldbus node, CPX terminal	4 / 4.8-70
2	CPV-...-GE-CC-8	Fieldbus, directly integrated	4 / 4.7-57
3	FBA-1-KL-5POL	5-pin terminal strip	4 / 5.1-94
4	FBS-SUB-9-GS-2x4POL-B	Plug for fieldbus connection, Sub-D	4 / 5.1-92

Electrical connection technology, for fieldbus connection

Technical data – KVI



- Connecting cable for fieldbus connection (CP bus valve terminal type 04, CPV, type 03 and CPI installation system)
- Pre-assembled at both ends
- Cable lengths 0.25 m, 0.5 m, 2 m, 5 m or 8 m
- 5-pin
- Round plug
- Suitable for chain link trunking



General technical data		KVI-...
Type		
Type of mounting		M9 union nut
Installation position		Any
Operating voltage range	[V]	60 DC
Current-carrying capacity	[A]	1.6
Cable composition	[mm ²]	2x0.24, 2x0.34 and 0.49
Cable Ø	[mm]	5.5
Protection class to EN 60529		IP65/67 (assembled)
Materials note		RoHS compliant
Housing material		Polyurethane, nickel plated brass
Contact material		Bronze/gold plated brass
Cable sheath material		Polyurethane
Ambient temperature of flexible cable installation	[°C]	-5 ... +80
Ambient temperature	[°C]	-20 ... +80
Corrosion resistance class CRC ¹⁾		1

1) Corrosion resistance class 1 according to Festo standard 940 070
Components requiring low corrosion resistance. Transport and storage protection. Parts that do not have primarily decorative surface requirements, e.g. in internal areas that are not visible or behind covers.

Ordering data					
	Electrical connection	Product weight [g]	Cable length [m]	Type	Part No.
	Angled plug - angled socket	34	0.25	KVI-CP-3-WS-WD-0,25	540 327
	Angled plug - angled socket	45	0.5	KVI-CP-3-WS-WD-0,5	540 328
	Angled plug - angled socket	116	2	KVI-CP-3-WS-WD-2	540 329
	Angled plug - angled socket	256	5	KVI-CP-3-WS-WD-5	540 330
	Angled plug - angled socket	399	8	KVI-CP-3-WS-WD-8	540 331
	Straight plug - straight socket	114	2	KVI-CP-3-GS-GD-2	540 332
	Straight plug - straight socket	255	5	KVI-CP-3-GS-GD-5	540 333
	Straight plug - straight socket	397	8	KVI-CP-3-GS-GD-8	540 334

Electrical connection technology, for fieldbus connection

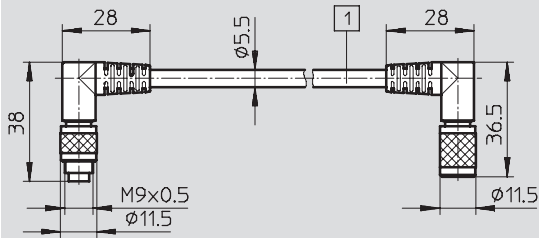
Technical data – KVI

FESTO

Dimensions

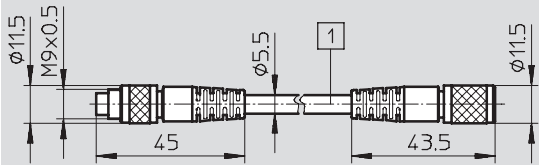
Download CAD data → www.festo.com/en/engineering

KVI-CP-3-WSWD-...



1 Cable length 0.25 m, 0.5 m, 2 m, 5 m or 8 m

KVI-CP-3-GSGD-...



1 Cable length 2 m, 5 m or 8 m

Accessories for valve terminals
Electrical connector systems

5.1

Electrical connection technology, for fieldbus connection

Technical data – FBS/FBSD



- Plug/socket for fieldbus connection
- Can be fabricated with any cable lengths
- 5-pin plug/4-pin or 5-pin socket
- With screw terminals
- Wire cross section of up to 0.75 mm²



General technical data		
Type	FBS/FBSD-...	
Type of mounting	M12 union nut	
Mounting position	Any	
Max. wire cross section	[mm ²]	0.75
Current-carrying capacity	[A]	3
Protection class to EN 60 529	IP67 (assembled)	
Material of housing	FBS	Polybuteneterephthalate
	FBSD	Polyamide
Material of contacts	FBS	Nickel-plated/gold-plated brass
	FBSD	Tin-plated/silver-plated bronze
Material of union nut	Nickel-plated brass	
Ambient temperature	[°C]	-40 ... +85

Ordering data							
	Electrical connection	Operating voltage range	Cable gland fitting	Permissible cable diameter	Product weight	Type	Part No.
		[V]		[mm]	[g]		
	Straight plug, 5-pin, screw terminal	30 AC 36 DC	Pg9	6 ... 8	26	FBS-M12-5GS-PG9	175 380
	Straight socket, 4-pin, screw terminal	125 AC	Pg7	4 ... 6	28	FBSD-GD-7	18 497
	Straight socket, 4-pin, screw terminal	125 AC	Pg9	8 ... 9.5	29	FBSD-GD-9	18 495
	Straight socket, 5-pin, screw terminal (DeviceNet)	30 AC	Pg9	6 ... 8	30	FBSD-GD-9-5POL	18 324
	Straight socket, 4-pin, screw terminal	125 AC	Pg13.5	10 ... 12	35	FBSD-GD-13,5	18 496
	Angled socket, 4-pin, screw terminal	125 AC	Pg7	4 ... 6	29	FBSD-WD-7	18 524
	Angled socket, 4-pin, screw terminal	125 AC	Pg9	6 ... 8	30	FBSD-WD-9	18 525

Electrical connection technology, for fieldbus connection

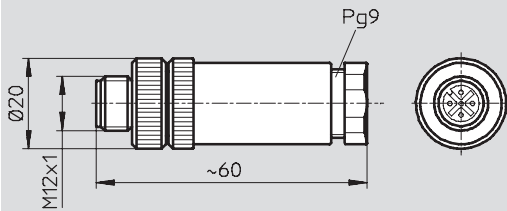


Technical data – FBS/FBSD

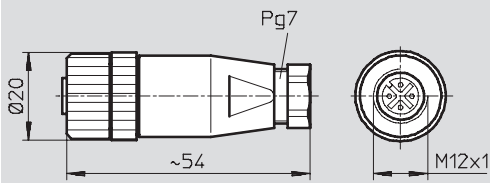
Dimensions

Download CAD data → www.festo.com/en/engineering

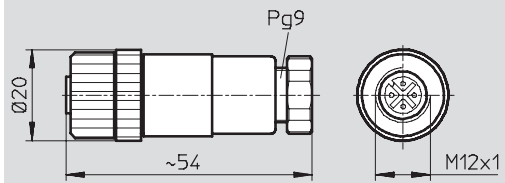
FBS-M12-5GS-PG9



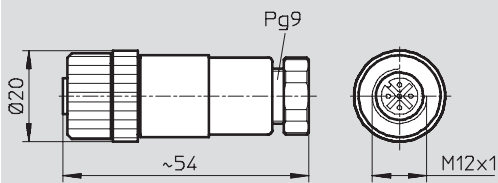
FBSD-GD-7



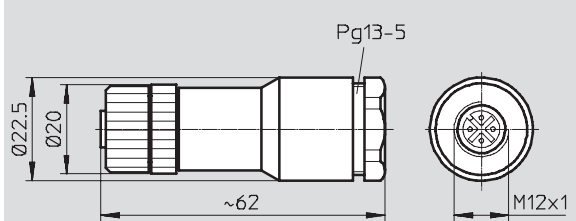
FBSD-GD-9



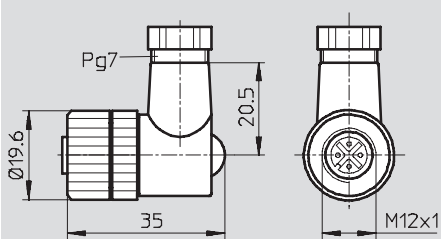
FBSD-GD-9-5POL



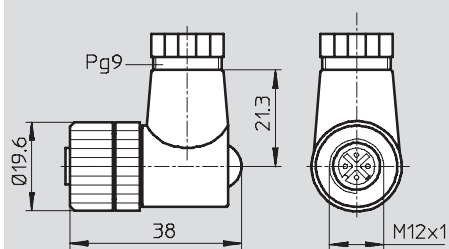
FBSD-GD-13,5



FBSD-WD-7



FBSD-WD-9



Electrical connection technology, for fieldbus connection

Technical data – FBS-SUB-9-...-B



5.1

- Fieldbus plug with 9-pin Sub-D connection
- Options for different fieldbus systems
- Position of DIL switch can be read externally
- Easy assembly



General technical data		
Type	FBS-SUB-9-...-B	
Type of mounting	2 M3x20 screws	
Cable gland fitting	Pg9	
Perm. cable diameter	[mm]	5 ... 10
Protection class to EN 60 529	IP65/67 (assembled)	
Material of housing	Polyamide	
Material of seal	Perbunan	
Material of union nut	Nickel-plated brass	
Ambient temperature	[°C]	0 ... +50
Storage temperature	[°C]	-20 ... +70

Ordering data					
	Electrical connection	Interface	Product weight [g]	Type	Part No.
	Plug, 9-pin, Sub-D	Profibus DP	60	FBS-SUB-9-GS-DP-B	532 216
	Plug, 9-pin, Sub-D	Interbus nodes CPX and CPV	60	FBS-SUB-9-GS-IB-B	532 217
	Plug, 9-pin, Sub-D	–	60	FBS-SUB-9-GS-1x9POL-B	534 497
	Socket, 9-pin, Sub-D	Interbus nodes CPX and CPV	60	FBS-SUB-9-BU-IB-B	532 218
	Socket, 9-pin, Sub-D	DeviceNet/Can CPX and CPV	60	FBS-SUB-9-BU-2x5POL-B	532 219
	Socket, 9-pin, Sub-D	CC-Link CPX and CPV	60	FBS-SUB-9-BU-2x4POL-B	532 220

Electrical connection technology, for fieldbus connection

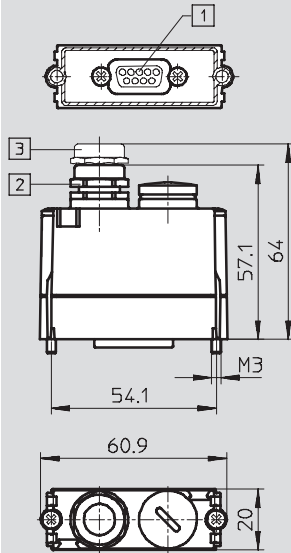
Technical data – FBS-SUB-9-...-B

Dimensions

Download CAD data → www.festo.com/en/engineering

FBS-SUB-9-...-B

Housing



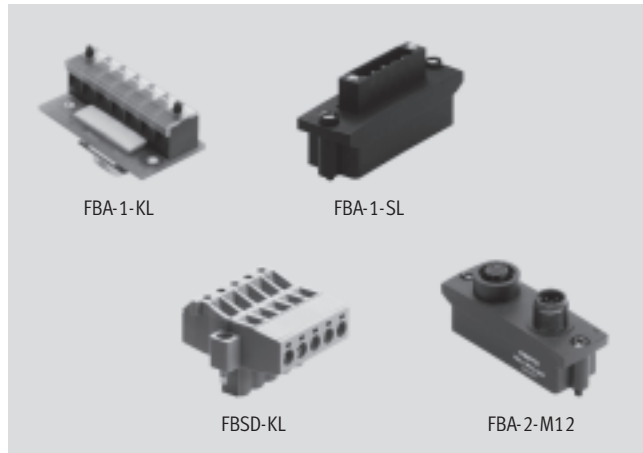
- 1 Sub-D socket/plug, 9-pin
- 2 Cable gland fitting, polymer, Pg9
- 3 Cable gland fitting, metal, Pg9

Electrical connection technology, for fieldbus connection



Technical data – BA/FBSD

- Plug/socket for fieldbus connection
- Adapter for Sub-D plug and socket
- Plug/socket, 9-pin, on connection, 5-pin/2x5-pin



5.1

General technical data		
Type	FBA...	FBSD-KL-...
Type of mounting	2 M3x20 screws	2 M2.5x12 screws
Mounting position	Any	
Operating voltage range [V]	24 DC	
Material of housing	Polyamide	
Material of contacts	Gold-plated bronze	
Ambient temperature [°C]	-5 ... +50	
Storage temperature [°C]	-20 ... +70	

Ordering data							
	Electrical connection	Max. wire cross section [mm ²]	Current-carrying capacity [A]	Protection class to EN 60 529	Product weight [g]	Type	Part No.
	Plug, straight, Sub-D, 9-pin, screw terminal, 5-pin	0.5	7.5	IP20	47	FBA-1-KL-5POL	197 962
	Straight socket, Sub-D, 9-pin, plug/socket, M12, 5-pin	–	4	IP65	28	FBA-2-M12-5POL	525 632
	Straight socket, Sub-D, 9-pin, plug, 5-pin	–	4	IP40	26	FBA-1-SL-5POL	525 634
	Socket, angled, 5-pin, screw terminal, 5-pin	0.2 ... 2.5	12	IP20	20	FBSD-KL-2x5POL	525 635

Electrical connection technology, for fieldbus connection

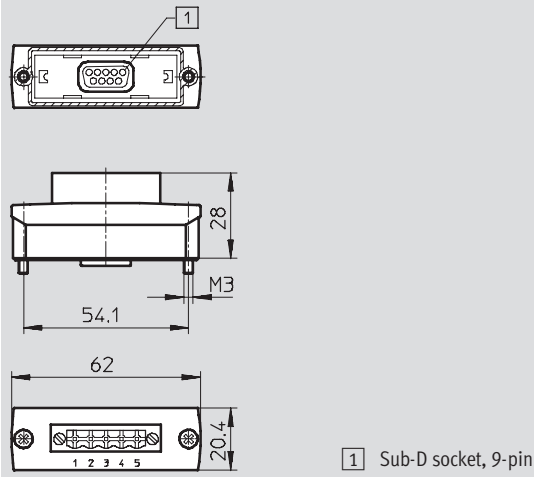
Technical data – FBA/FBSD

FESTO

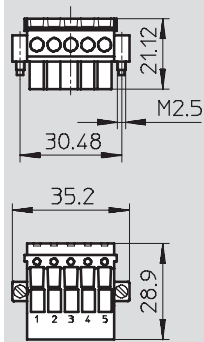
Dimensions

Download CAD data → www.festo.com/en/engineering

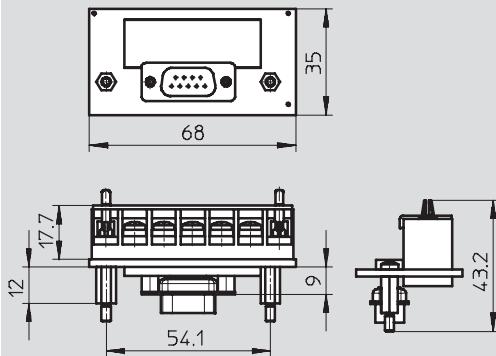
FBA-1-SL-...



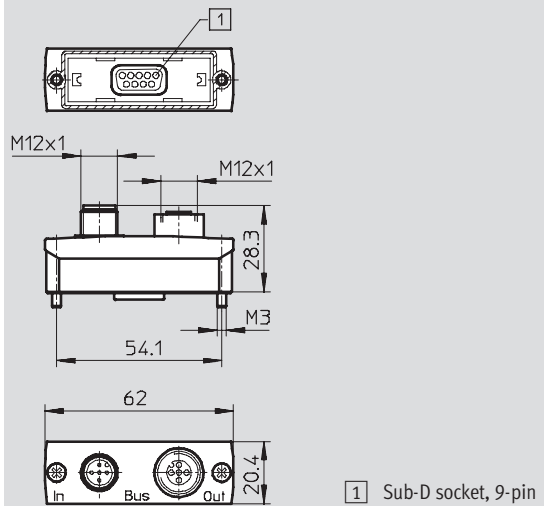
FBSD-KL-...



FBA-1-KL-...



FBA-2-...



Accessories for valve terminals
Electrical connector systems

5.1

Electrical connection technology, for fieldbus connection

Technical data – FBA/FBSD



Pin allocation Sub-D/opposite side				FBA-1-SL-5POL			
FBA-1-KL-5POL				Sub-D connection	Pin	Pin	Plug
	1				1		
	2	DA			2	2	
	3	DG			3	1	
	4				4		
	5	FG			5	3	
	6				6		
	7	DB			7	4	
	8				8		
	9				9	5	
	Housing	SLD			Housing	3	

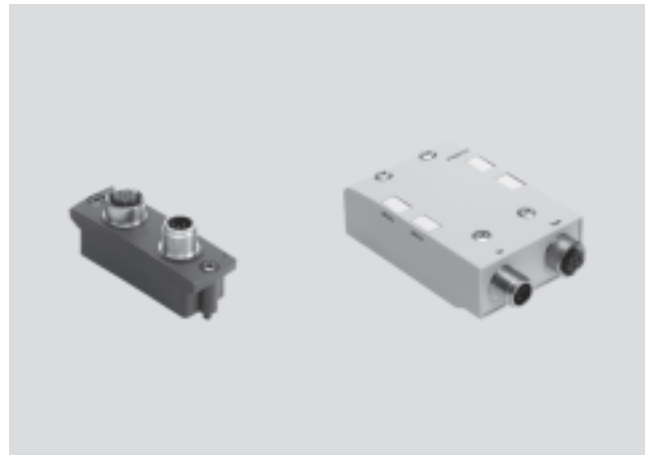
FBA-2-M12-5POL				FBA-2-M12-5POL			
Sub-D connection	Pin	Pin	Plug	Sub-D connection	Pin	Pin	Socket
	1				1		
	2	2			2	2	
	3	1			3	1	
	4				4		
	5	3			5	3	
	6				6		
	7	4			7	4	
	8				8		
	9	5			9	5	
	Housing	3			Housing	3	

Electrical connection technology, for fieldbus connection

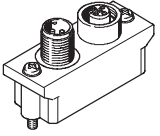
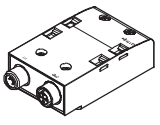
Technical data – FBA/CPX-AB-2



- Adapter for Sub-D plug and socket
- Plug/socket, 9-pin, on connection, 2xM12, 5-pin
- B coded (ReverseKey)



General technical data		
Type	FBA-...	CPX-AB-2-...
Type of mounting	2 M3x20 screws	4 M3x25 screws
Mounting position	Any	
Operating voltage range [V]	24 DC	
Material of housing	Polyamide	
Material of contacts	Gold-plated bronze	
Ambient temperature [°C]	-5 ... +50	
Storage temperature [°C]	-20 ... +70	

Ordering data						
	Electrical connection	Current-carrying capacity [A]	Protection class to EN 60 529	Product weight [g]	Type	Part No.
	Plug, straight, Sub-D, 9-pin, plug/socket, M12, 5-pin	4	IP65	37	FBA-2-M12-5POL-RK	533 118
	Plug/socket, straight, Sub-D, 9-pin, plug/socket, M12, 5-pin		IP65/67	140	CPX-AB-2-M12-RK-IB CPX-AB-2-M12-RK-DP	534 505 541 519

Electrical connection technology, for fieldbus connection

Technical data – FBA/CPX-AB-2

FESTO

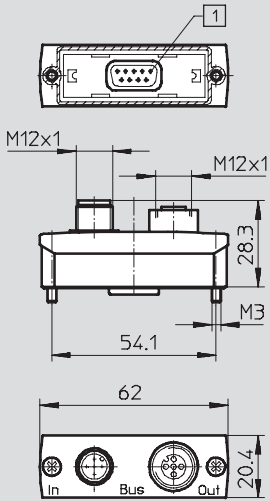
Accessories for valve terminals
Electrical connector systems

5.1

Dimensions

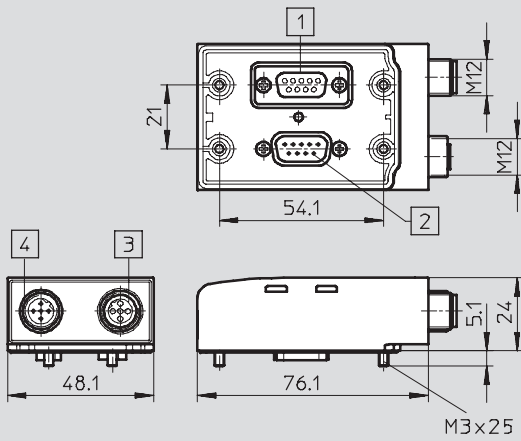
Download CAD data → www.festo.com/en/engineering

FBA-2-M12-5POL-RK



1 Sub-D plug, 9-pin,

CPX-AB-2-M12-RK-IB



- 1 Socket, 9-pin
- 2 Plug, 9-pin
- 3 Socket, M12, 5-pin
- 4 Plug, M12, 5-pin

Electrical connection technology, for fieldbus connection

Technical data – FBA/CPX-AB-2



Pin allocation Sub-D/opposite side							
FBA-2-M12-5POL-RK							
Sub-D connection	Pin	Pin	Plug	Sub-D connection	Pin	Pin	Socket
	1	5			1	5	
	2				2		
	3	4			3	4	
	4				4		
	5				5	3	
	6				4		
	7						
	8	2					
	9						
	Housing	Housing					

CPX-AB-2-M12-RK-IB							
Sub-D connection	Pin	Pin	Plug	Sub-D connection	Pin	Pin	Socket
	1	1			1	1	
	2	3			2	3	
	3	5			3	5	
	4				4		
	5				5		
	6	2					
	7	4					
	8						
	9						
	Housing	Housing					

Accessories for valve terminals
Electrical connector systems

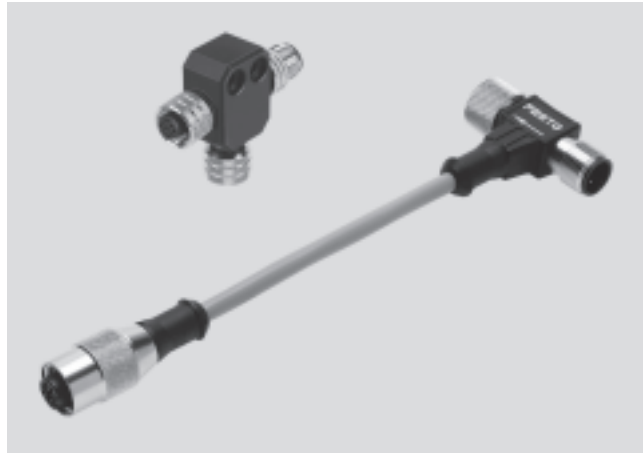
5.1

Electrical connection technology, for fieldbus connection

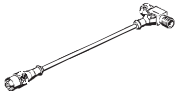

Technical data – FB-TA



- T-adapter for fieldbus connection (for valve terminal type 02, type 03, type 04, CPV and CP installation system)
- Branch line for the connection and disconnection of fieldbus components
- Connected fieldbus components can be unplugged without interrupting signal transmission (to other components)
- FB-TA-1 with open cable end for self-assembly
- FB-TA and FB-TA-1 with 5-pin push-in connectors, but only 3 continuous contacts



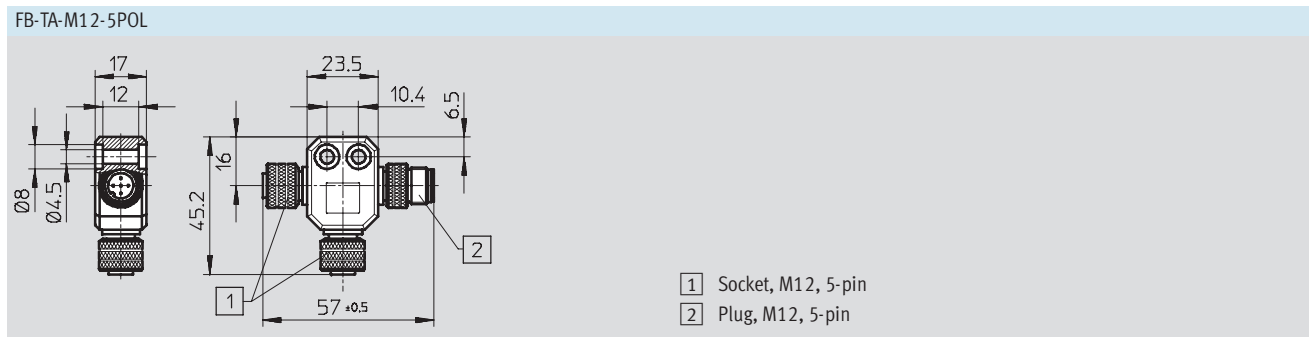
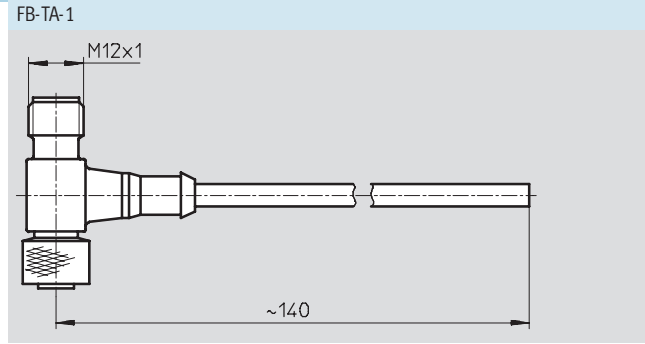
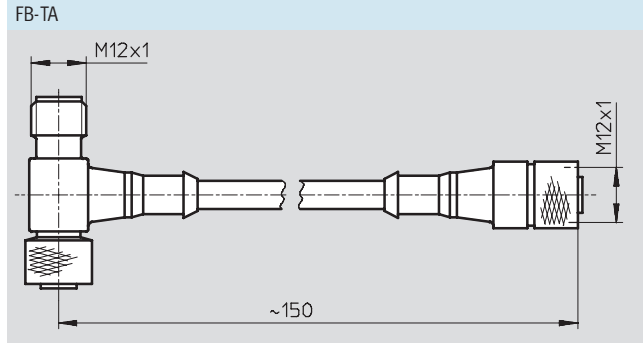
General technical data	
Type	FB-TA-...
Type of mounting	M12 union nut
Mounting position	Any
Operating voltage range [V]	10 ... 30 DC
Current-carrying capacity [A]	4
Cable diameter [mm]	5 (except FB-TA-M12-5POL)
Protection class to EN 60 529	IP67
Material of housing	Polyamide
Material of cable sheath	Polyvinyl chloride (except FB-TA-M12-5POL)
Ambient temperature [°C]	-25 ... +90

Ordering data						
	Electrical connection	Material of contacts	Construc-tional design [mm ²]	Product weight [g]	Type	Part No.
	Socket/plug, 5-pin, M12	Brass, nickel-plated/tin-plated	2x0.25	37	FB-TA	18 498
		Brass, nickel-plated/tin-plated	2x0.25	23	FB-TA-1	18 499
	Socket/plug, 5-pin, M12	Bronze, gold-plated	–	39	FB-TA-M12-5POL	171 175

Electrical connection technology, for fieldbus connection

Technical data – FB-TA

Dimensions Download CAD data → www.festo.com/en/engineering



Accessories for valve terminals
Electrical connector systems

5.1

Electrical connection technology, for fieldbus connection

Technical data – FB-TA



5.1

Wiring allocation (socket/plug view)		
FB-TA		
Socket	Wiring allocation	Plug
FB-TA-1		
Socket	Wiring allocation	Plug
	 <div style="display: flex; gap: 10px; margin-top: 10px;"> <div style="border: 1px solid black; padding: 2px;">1</div> White <div style="border: 1px solid black; padding: 2px;">2</div> Black <div style="border: 1px solid black; padding: 2px;">3</div> Screen </div>	
FB-TA-M12-5POL		
Socket	Wiring allocation	Plug

Electrical connection technology, for fieldbus connection

Technical data – NECU



- Power supply socket for fieldbus connection
- 4- and 5-pin
- Can be fabricated with any cable lengths
- With screw terminals
- Wire cross section of up to 2 mm²



General technical data			
Type		NECU-G78G4-C2	NECU-G78G5-C2
Operating voltage range	[V DC]	≤ 300	
	[V AC]	≤ 250	
Permissible cable diameter	[mm]	5 ... 12	
Connection cross section	[mm ²]	0.25 ... 2	
Plug coding		ODVA AutoSIG	NFPA/T3.5.29 R1-2003
Material of casing		Polyamide	
Material of seals		Nitrile rubber	
Material of contacts		Copper alloy, gold plated	
Material of union nut		Nickel-plated brass	
Note on materials		Free of copper and PTFE	

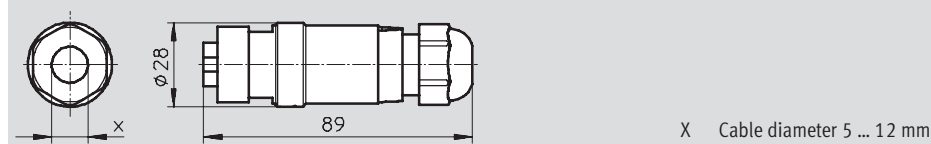
Operating and environmental conditions		
Ambient temperature	[°C]	-40 ... +80
Corrosion resistance class CRC ¹⁾		1
Certification		c CSA us - (OL)

1) Corrosion resistance class 1 according to Festo standard 940 070
Components requiring low corrosion resistance. Transport and storage protection. Parts that do not have primarily decorative surface requirements, e.g. in internal areas that are not visible or behind covers.

Ordering data						
	Electrical connection	Acceptable current load [A]	Protection class to EN 60529	Product weight [g]	Type	Part No.
	Plug socket, straight, screw terminal, 7/8" round plug connector, 4-pin	10	IP65/67/68	49	NECU-G78G4-C2	543 108
	Plug socket, straight, screw terminal, 7/8" round plug connector, 5-pin	8	IP65/67/68	51	NECU-G78G5-C2	543 107

Dimensions Download CAD data → www.festo.com/en/engineering

NECU-G78G4-C2, NECU-G78G5-C2



Electrical connection technology, for fieldbus connection

Technical data – NEDU

FESTO

- T-adapter
- Branch line for the connection and disconnection of fieldbus components
- Connected fieldbus components can be unplugged without interrupting signal transmission (to other components)

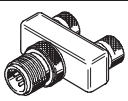
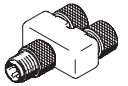


Accessories for valve terminals
Electrical connector systems

5.1

General technical data				
Type		NEDU-M12D5-M12T4	NEDU-M8D3-M12T4	NEDU-M8D3-M8T4
Type of mounting		Screw-in		
Mounting position		Any		
Connection frequency		500	500	100
Nominal operating voltage	[V]	250 DC	60 DC	32 DC
	[V]	60 AC	60 AC	32 AC
Current-carrying capacity	[A]	4	4	2
Protection class to EN 60529		IP65/67		
Electrical connection		To EN 60947-5-2		
Max. tightening torque	[Nm]	0.5	0.3 for M8 0.5 for M12	0.3
Material of housing		Polyurethane		Polyamide
Material of crimp connectors		Gold-plated brass		
Material of union nut		Chrome plated brass, nickel plated brass		
Note on materials		Free of copper and PTFE		
Corrosion resistance class CRC ¹⁾		2		
Ambient temperature	[°C]	-25 ... +85		

1) Corrosion resistance class 2 to Festo standard 940 070
Components subject to moderate corrosion stress. Externally visible parts with primarily decorative surface requirements which are in direct contact with a normal industrial environment or media such as coolants or lubricating agents.

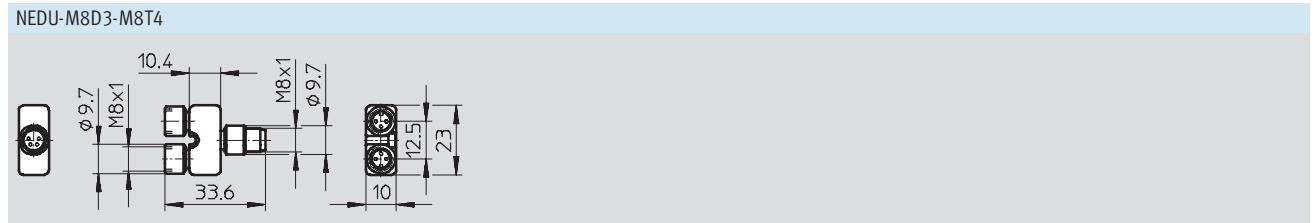
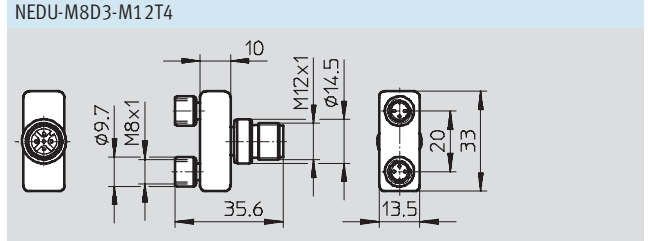
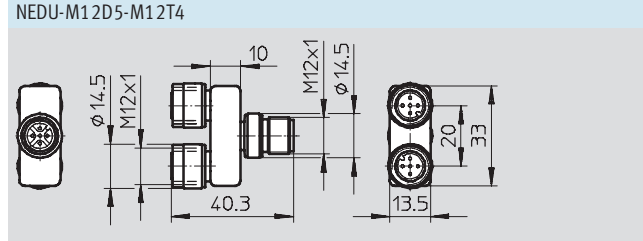
Ordering data				
	Electrical connection	Product weight [g]	Type	Part No.
	Plugs/sockets, 4-pin/4-pin, M12x1/M12x1	25.5	NEDU-M12D5-M12T4	541 596
	Plugs/sockets, 4-pin/3-pin, M12x1/M8x1	16.9	NEDU-M8D3-M12T4	541 597
	Plugs/sockets, 4-pin/3-pin, M8x1/M8x1	9.5	NEDU-M8D3-M8T4	544 391

Electrical connection technology, for fieldbus connection



Technical data – NEDU

Dimensions Download CAD data → www.festo.com/en/engineering



Electrical connection technology, for fieldbus connection

Technical data – NEDU



Wiring allocation (socket/plug view)		
NEDU-M12D5-M12T4		
Socket	Wiring allocation	Socket
NEDU-M8D3-M12T4		
Socket	Wiring allocation	Socket
NEDU-M8D3-M8T4		
Socket	Wiring allocation	Socket

Electrical connection technology, for fieldbus connection

Technical data – KVI-...-SSD



5.1

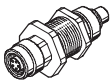
- Connector for fieldbus connection (CP bus valve terminal type 04, CPV, type 03 and CPI installation system)
- 5-pin
- Straight socket/straight plug



General technical data	
Type	KVI-...-SSD
Type of mounting	Via external thread
Mounting position	Any
Nominal operating voltage [V]	24 DC
Protection class to EN 60529	IP65/67
Material of casing	Nickel-plated brass
Material of contacts	Copper alloy, gold plated
Material of union nut	Nickel-plated brass
Note on materials	Free of copper and PTFE

Operating and environmental conditions	
Ambient temperature [°C]	-20 ... +80
Corrosion resistance class CRC ¹⁾	2

1) Corrosion resistance class 2 according to Festo standard 940 070
Components subject to moderate corrosion stress. Externally visible parts with primarily decorative surface requirements which are in direct contact with a normal industrial environment or media such as coolants or lubricating agents.

Ordering data				
	Electrical connection	Product weight [g]	Type	Part No.
	Straight plug, 5-pin, M9 Straight socket, 5-pin, M9	48	KVI-CP-3-SSD	543 252

Dimensions Download CAD data → www.festo.com/en/engineering

