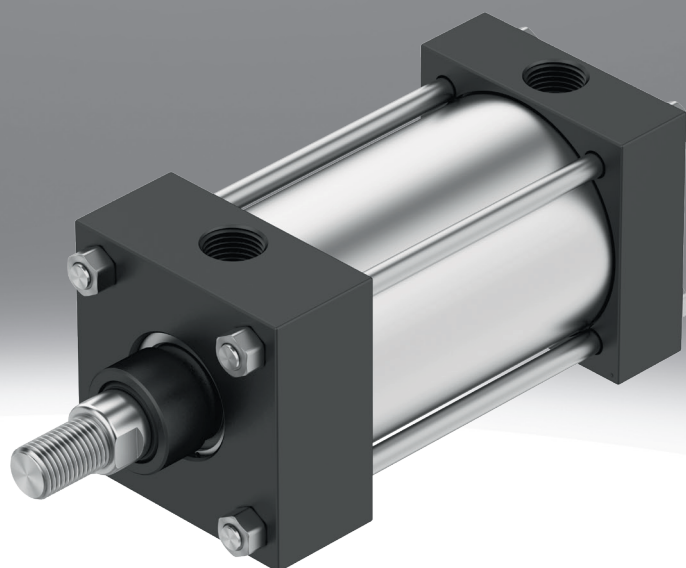


Standards-based cylinder, inch DSNB

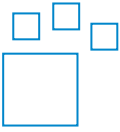
FESTO



Characteristics

Ordering data - modular system

[More information → dsnb](#)



Configurable product

This product and all its product options can be ordered online via the configurator.

Lateral force

[R] Increased

- The piston rod can absorb a higher lateral force

Piston rod type

[L] At one end



- The piston rod can be used for connection at one end of the cylinder

[T] Through piston rod



- The piston rod can be used for connection at both ends of the cylinder
- Identical forces in the forward and return stroke

Piston rod thread type

[M] Male thread



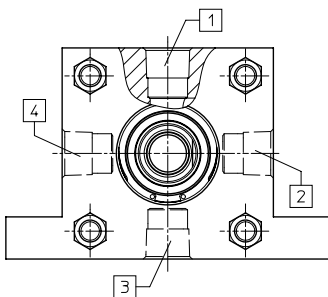
[F] Female thread



[X] Bolt with male thread



Compressed air connection



1 = < > Lateral

2 = <P90> rotated 90°

3 = <P180> rotated 180°

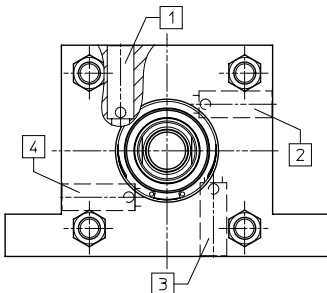
4 = <P270> rotated 270°

Characteristics

Cushioning

- [N] No cushioning
- [P] Elastic cushioning rings/plates at both ends
- [PP] Pneumatic cushioning at both ends, not adjustable
- [PP2] Pneumatic cushioning at the front, non-adjustable
- [PP3] Pneumatic cushioning at the rear, not adjustable
- [PPV] Pneumatic cushioning, adjustable at both ends
- [PPV1] Pneumatic cushioning at the front, adjustable
- [PPV2] Pneumatic cushioning at the rear, adjustable

Position of the adjusting screw



- 1 = <R1> rotated 0°
 2 = <R2> rotated 90°
 3 = <R3> rotated 180°
 4 = <R4> rotated 270°

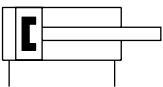
Noise reduction

[SL] Both sides

- Reduces noise generation

Position sensing

[A] For proximity sensor



Standard

[N5] In accordance with ANSI/NFPA

- Conforms to standard NFPA/T3.6.7

Temperature range

[T4] 0 ... +150°C

- For use in the temperature range 0 ... +150 °C

Scraper variant

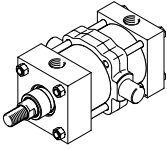
[A6] Metal scraper

- Special seals for a longer service life, e.g. for the use of cooling lubricants

Characteristics

Trunnion flange mounting position, positive locking

[...MT4] 3.063 ... 102.219"



Piston rod extension

[...NE] 0.0625 ... 6.1250" (increments of 0.0625)

- The piston rod can be extended in steps of 0.0625 inch

Piston rod thread extension

[...NL] 0.0625 ... 4.8750" (increments of 0.0625)

- The piston rod thread can be extended in steps of 0.0625 inch

Piston rod thread

[U12] 1/2-20 UNF

[U1S] 1-14 UNS

[U34] 3/4-16 UNF

[U78] 7/8-14 UNF

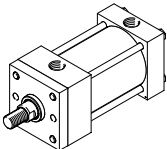
[U112] 1 1/2-12 UNF

[U114] 1 1/4-12 UNF

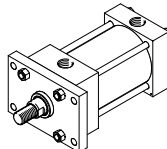
[U716] 7/16-20 UNF

Type of mounting

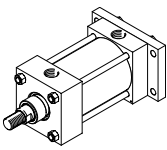
[ME] Direct mounting, female thread



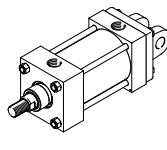
[MF1] Flange plate, bearing cap



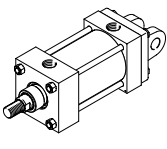
[MF2] Flange plate end cap



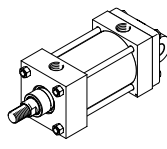
[MP1] Swivel bearing



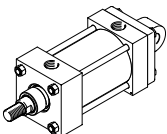
[MP2] Swivel mounting



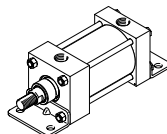
[MP3] Swivelling rod eye mounting in the end cap



[MP4] Swivelling rod eye mounting



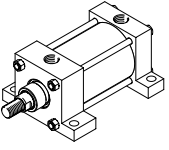
[MS1] Foot mounting



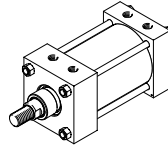
Characteristics

Type of mounting

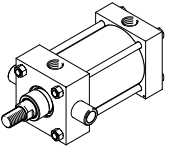
[MS2] Foot mounting at the side



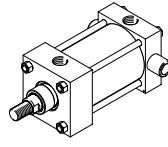
[MS4] Direct mounting



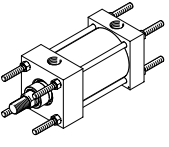
[MT1] Swivel mounting on the bearing cap



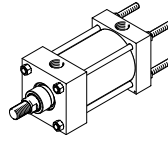
[MT2] Swivel mounting on the end cap



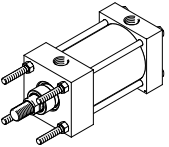
[MX1] Threaded rods at both ends



[MX2] Threaded rod, end cap



[MX3] Threaded rod, bearing cap



Type code

001	Series	
DSNB	Standards-based cylinder	
002	System of units	
N	Imperial	
003	Lateral force	
	Standard	
R	Increased	
004	Running characteristics	
	Standard	
L	Low friction	
005	Piston diameter [“]	
1 1/2”	1 1/2”	
2”	2”	
2 1/2”	2 1/2”	
3 1/4”	3 1/4”	
4”	4”	
5”	5”	
6”	6”	
006	Stroke [“]	
...”	0.0625 ... 98”	
007	Function	
	Double-acting	
008	Piston rod type	
	At one end	
T	Through piston rod	
009	Piston rod thread type	
	Male thread	
F	Female thread	
X	Bolt with male thread	
010	Pneumatic connection	
N18	1/8 NPT	
N14	1/4 NPT	
N38	3/8 NPT	
N12	1/2 NPT	
N34	3/4 NPT	
011	Compressed air connection	
	Lateral	
P90	Rotated 90°	
P180	180° rotated	
P270	270° rotated	
012	Cushioning	
N	No cushioning	
P	Elastic cushioning rings/plates on both sides	
PP	Pneumatic cushioning at both ends, non-adjustable	
PP2	Pneumatic cushioning at the front, non-adjustable	
PP3	Pneumatic cushioning at the rear, non-adjustable	
PPV	Pneumatic cushioning, adjustable at both ends	
PPV1	Pneumatic cushioning at the front, adjustable	
PPV2	Pneumatic cushioning at the rear, adjustable	

013	Position of the adjusting screw	
	Without	
R1	Rotated 0°	
R2	Rotated 90°	
R3	Rotated 180°	
R4	Rotated 270°	
014	Noise reduction	
	Without	
SL	Both sides	
015	Position sensing	
	None	
A	Via proximity sensors	
016	Standard	
N5	In accordance with ANSI/NFPA	
017	Temperature range	
	Standard	
T4	0 ... +150°C	
018	Scraper variant	
	None	
A6	Metal scraper	
019	Trunnion flange mounting position, positive locking	
	None	
...MT4	3.063 ... 102.219”	
020	Piston rod extension	
	None	
...NE	0.0625 ... 6.1250” (increments of 0.0625)	
021	Piston rod thread extension	
	None	
...NL	0.0625 ... 4.8750” (increments of 0.0625)	
022	Piston rod thread	
	Standard	
U12	1/2-20 UNF	
U78	7/8-14 UNF	
U112	1 1/2-12 UNF	
U114	1 1/4-12 UNF	
023	Type of mounting	
ME	Direct mounting, female thread	
MF1	Flange plate, bearing cap	
MF2	Flange plate end cap	
MP1	Swivel bearing	
MP2	Swivel mounting	
MP3	Swivelling rod eye mounting in the end cap	
MP4	Swivelling rod eye mounting	
MS1	Foot mounting	
MS2	Foot mounting at the side	
MS4	Direct mounting	
MT1	Swivel mounting on the bearing cap	
MT2	Swivel mounting on the end cap	
MX1	Threaded rods at both ends	
MX2	Threaded rod, end cap	
MX3	Threaded rod, bearing cap	

Datasheet

Operating and environmental conditions

Piston diameter	1 1/2"	2"	2 1/2"	3 1/4"	4"	5"	6"
Conforms to standard	NFPA/T3.6.7						
Operating pressure	0.048 ... 1 MPa						
Operating pressure	6.96 ... 145 psi						
Operating pressure	0.48 ... 10 bar						
Operating medium	Compressed air to ISO 8573-1:2010 [7:4:4]						
Note on operating and pilot medium	Lubricated operation possible (in which case lubricated operation will always be required)						
Ambient temperature	-20 ... 150°C						
Ambient temperature	-4 ... 302°F						
Corrosion resistance class CRC	1 - Low corrosion stress						

Forces

Piston diameter	1 1/2"	2"	2 1/2"	3 1/4"	4"	5"	6"
Theoretical force at 0.6 MPa (6 bar, 87 psi), advance stroke	680 N	1178 N	1930 N	3246 N	4903 N	7601 N	10888 N
Theoretical force at 0.6 MPa (6 bar, 87 psi), return stroke	563 N	990 N	1811 N	2942 N	4599 N	7297 N	10313 N

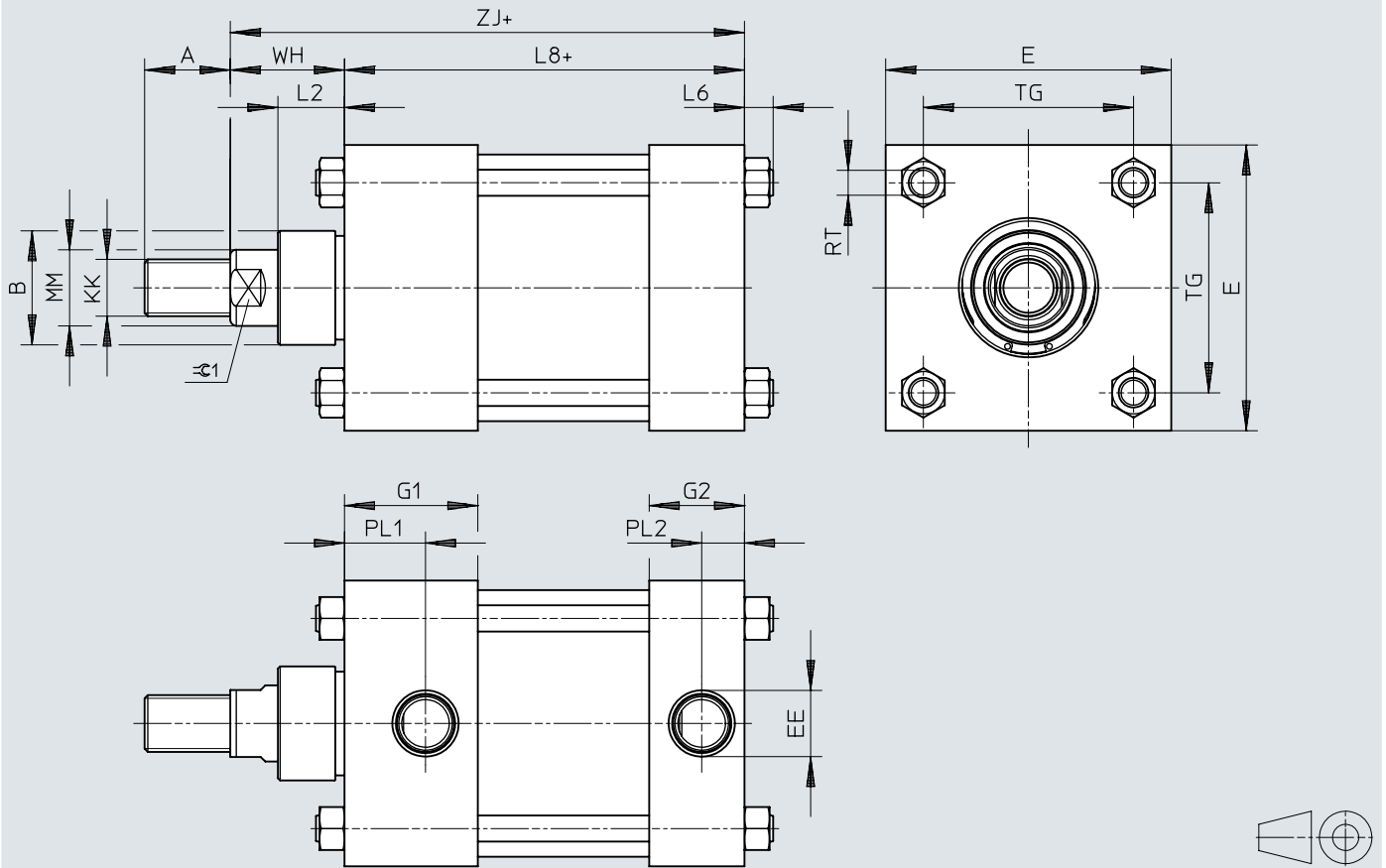
Materials

Piston diameter	1 1/2"	2"	2 1/2"	3 1/4"	4"	5"	6"
Material cover	Anodised wrought aluminium alloy						
Material seals	NBR FPM PUR	NBR PUR FPM		NBR FPM PUR			
Material piston rod	Steel, hard-chrome-plated						
Material cylinder barrel	Smooth-anodised wrought aluminium alloy						
Note on materials	RoHS-compliant						
LABS (PWIS) conformity	VDMA24364 zone III						

Dimensions

Dimensions – Basic type

Download CAD data → www.festo.com



[1] + = plus stroke length

Dimensions

∅	A	B ∅	E	EE	G1	G2	MM ∅	L2
DSNB-N-1 1/2"-...	0.75	1.125	2	3/8	1.438	0.973	0.625	0.625
DSNB-NR-1 1/2"-...	1.125	1.5	2	1/4	1.438	0.973	1	0.875
DSNB-N-2"-...	0.75	1.125	2.5	3/8	1.438	0.973	0.625	0.625
DSNB-NR-2"-...	1.125	1.5	2.5	3/8	1.438	0.973	1	0.875
DSNB-N-2 1/2"-...	0.75	1.125	3	3/8	1.438	0.973	0.625	0.625
DSNB-NR-2 1/2"-...	1.125	1.5	3	3/8	1.438	0.973	1	0.875
DSNB-N-3 1/4"-...	1.125	1.5	3.75	1/2	1.656	1.156	1	0.875
DSNB-NR-3 1/4"-...	1.625	2	3.75	1/2	1.656	1.156	1.375	1
DSNB-N-4"-...	1.125	1.5	4.5	1/2	1.656	1.156	1	0.875
DSNB-NR-4"-...	1.625	2	4.5	1/2	1.656	1.156	1.375	1
DSNB-N-5"-...	1.125	1.5	5.5	1/2	1.656	1.156	1	0.875
DSNB-NR-5"-...	1.625	2	5.5	1/2	1.656	1.156	1.375	1
DSNB-N-6"-...	1.625	2	6.5	3/4	1.906	1.406	1.375	1
DSNB-NR-6"-...	2	2.375	6.5	3/4	1.906	1.406	1.75	1.125

∅	L6	L8 ¹⁾ ±0.03	PL1	PL2	RT	TG	WH ²⁾ ±0.08	ZJ ¹⁾
DSNB-N-1 1/2"-...	0.25	3.625	0.938	0.437	1/4-28 UNF-2B	1.428	1	4.625
DSNB-NR-1 1/2"-...	0.25	3.625	1.085	0.437	1/4-28 UNF-2B	1.428	1.375	5
DSNB-N-2"-...	0.313	3.625	0.938	0.437	5/16-24 UNF-2B	1.838	1	4.625
DSNB-NR-2"-...	0.313	3.625	0.938	0.437	5/16-24 UNF-2B	1.838	1.375	5
DSNB-N-2 1/2"-...	0.313	3.75	0.938	0.437	5/16-24 UNF-2B	2.192	1	4.749
DSNB-NR-2 1/2"-...	0.313	3.75	0.938	0.437	5/16-24 UNF-2B	2.192	1.375	5.125
DSNB-N-3 1/4"-...	0.375	4.25	1.063	0.562	3/8-24 UNF-2B	2.758	1.375	5.625
DSNB-NR-3 1/4"-...	0.375	4.25	1.063	0.562	3/8-24 UNF-2B	2.758	1.625	5.875
DSNB-N-4"-...	0.375	4.25	1.063	0.562	3/8-24 UNF-2B	3.323	1.375	5.625
DSNB-NR-4"-...	0.375	4.25	1.063	0.562	3/8-24 UNF-2B	3.323	1.625	5.875
DSNB-N-5"-...	0.5	4.5	1.063	0.562	1/2-20 UNF-2B	4.101	1.375	5.875
DSNB-NR-5"-...	0.5	4.5	1.063	0.562	1/2-20 UNF-2B	4.101	1.625	6.125
DSNB-N-6"-...	0.5	5	1.188	0.687	1/2-20 UNF-2B	4.879	1.625	6.625
DSNB-NR-6"-...	0.5	5	1.188	0.687	1/2-20 UNF-2B	4.879	1.875	6.875

∅	KK							≈G1							3)		
	U34	U1S	U112	U12	U78	U114	U716	U34	U1S	U112	U12	U78	U114	U716	0 psi	80 psi	100 psi
DSNB-N-1 1/2"-...	7/16-20 UNF-2A			1/2-20 UNF-2A				0.562			0.562				0.106	0	0
DSNB-NR-1 1/2"-...	3/4-16 UNF-2A			7/8-14 UNF-2A				0.875			0.875				0.106	0	0
DSNB-N-2"-...	7/16-20 UNF-2A			1/2-20 UNF-2A				0.562			0.562				0.09	0.018	0
DSNB-NR-2"-...	3/4-16 UNF-2A			7/8-14 UNF-2A				0.875			0.875				0.09	0.018	0
DSNB-N-2 1/2"-...	7/16-20 UNF-2A			1/2-20 UNF-2A				0.562			0.562				0.201	0.008	0
DSNB-NR-2 1/2"-...	3/4-16 UNF-2A			7/8-14 UNF-2A				0.875			0.875				0.201	0.008	0
DSNB-N-3 1/4"-...	3/4-16 UNF-2A			7/8-14 UNF-2A				0.875			0.875				0.16	0.038	0
DSNB-NR-3 1/4"-...	1-14 UNS-2A			1 1/4-12 UNF-2A				1.125			1.25				0.16	0.038	0
DSNB-N-4"-...	3/4-16 UNF-2A			7/8-14 UNF-2A				0.875			0.875				0.15	0.005	0
DSNB-NR-4"-...	1-14 UNS-2A			1 1/4-12 UNF-2A				1.125			1.25				0.15	0.005	0
DSNB-N-5"-...	3/4-16 UNF-2A			7/8-14 UNF-2A				0.875			0.813				0.219	0.015	0
DSNB-NR-5"-...	1-14 UNS-2A			1 1/4-12 UNF-2A				1.125			1.25				0.219	0.015	0
DSNB-N-6"-...	1-14 UNS-2A			1 1/4-12 UNF-2A				1.125			1.25				-	-	-
DSNB-NR-6"-...	1 1/4-12 UNF-2A			1 1/2-12 UNF-2A				1.5			1.5				-	-	-

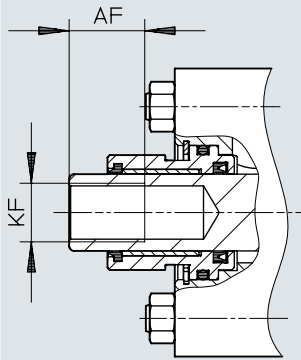
1) With cushioning [P] plus 0.214 inch

2) With noise reduction [SL] at 100 psi

3) With noise reduction [SL]: reduction of the stroke length

Dimensions

Dimensions – [F] Female thread

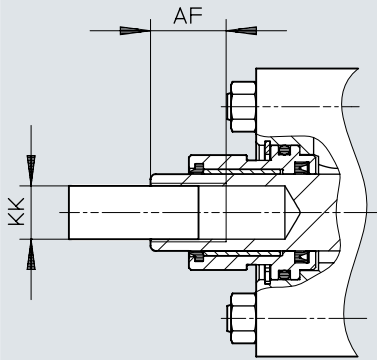
Download CAD data → www.festo.com

ø	AF	KF							
			U34	U1S	U112	U12	U78	U114	U716
DSNB-N-1 1/2"-...-F	0.75		7/16-20 UNF-2B					1/2-20 UNF-2B	
DSNB-NR-1 1/2"-...-F	1.125		3/4-16 UNF-2B					7/8-14 UNF-2B	
DSNB-N-2"-...-F	0.75		7/16-20 UNF-2B					1/2-20 UNF-2B	
DSNB-NR-2"-...-F	1.125		3/4-16 UNF-2B					7/8-14 UNF-2B	
DSNB-N-2 1/2"-...-F	0.75		7/16-20 UNF-2B					1/2-20 UNF-2B	
DSNB-NR-2 1/2"-...-F	1.125		3/4-16 UNF-2B					7/8-14 UNF-2B	
DSNB-N-3 1/4"-...-F	1.125		3/4-16 UNF-2B					7/8-14 UNF-2B	
DSNB-NR-3 1/4"-...-F	1.625		1-14 UNS-2B					1 1/4-12 UNF-2B	
DSNB-N-4"-...-F	1.125		3/4-16 UNF-2B					7/8-14 UNF-2B	
DSNB-NR-4"-...-F	1.625		1-14 UNS-2B					1 1/4-12 UNF-2B	
DSNB-N-5"-...-F	1.125		3/4-16 UNF-2B					7/8-14 UNF-2B	
DSNB-NR-5"-...-F	1.625		1-14 UNS-2B					1 1/4-12 UNF-2B	
DSNB-N-6"-...-F	1.625		1-14 UNS-2B					1 1/4-12 UNF-2B	
DSNB-NR-6"-...-F	2		1 1/4-12 UNF-2B					1 1/2-12 UNF-2B	

Dimensions

Dimensions – [X] Bolt with male thread

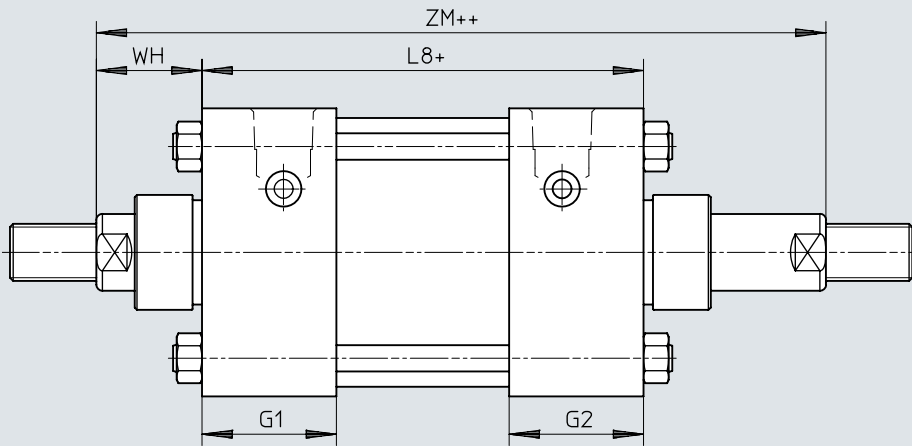
Download CAD data → www.festo.com



ø	AF	KK					
		U34	U1S	U112	U12	U78	U114
DSNB-N-1 1/2"-...-X	0.75	7/16-20 UNF-2A			1/2-20 UNF-2A		
DSNB-NR-1 1/2"-...-X	1.125	3/4-16 UNF-2A			7/8-14 UNF-2A		
DSNB-N-2"-...-X	0.75	7/16-20 UNF-2A			1/2-20 UNF-2A		
DSNB-NR-2"-...-X	1.125	3/4-16 UNF-2A			7/8-14 UNF-2A		
DSNB-N-2 1/2"-...-X	0.75	7/16-20 UNF-2A			1/2-20 UNF-2A		
DSNB-NR-2 1/2"-...-X	1.125	3/4-16 UNF-2A			7/8-14 UNF-2A		
DSNB-N-3 1/4"-...-X	1.125	3/4-16 UNF-2A			7/8-14 UNF-2A		
DSNB-NR-3 1/4"-...-X	1.625	1-14 UNS-2A			1 1/4-12 UNF-2A		
DSNB-N-4"-...-X	1.125	3/4-16 UNF-2A			7/8-14 UNF-2A		
DSNB-NR-4"-...-X	1.625	1-14 UNS-2A			1 1/4-12 UNF-2A		
DSNB-N-5"-...-X	1.125	3/4-16 UNF-2A			7/8-14 UNF-2A		
DSNB-NR-5"-...-X	1.625	1-14 UNS-2A			1 1/4-12 UNF-2A		
DSNB-N-6"-...-X	1.625	1-14 UNS-2A			1 1/4-12 UNF-2A		
DSNB-NR-6"-...-X	2	1 1/4-12 UNF-2A			1 1/2-12 UNF-2A		

Dimensions

Dimensions – [T] Through piston rod

Download CAD data → www.festo.com

[1] += plus stroke length

[2] ++ = plus 2x stroke length

ø	G1	G2	L8 ¹⁾	WH ²⁾	ZM ¹⁾	3)		
						±0.08	0 psi	80 psi
DSNB-N-1 1/2"-...-T	1.438	1.438	4.125	1	6.125	0.106	0	0
DSNB-NR-1 1/2"-...-T	1.438	1.438	4.125	1.375	6.875	0.106	0	0
DSNB-N-2"-...-T	1.438	1.438	4.125	1	6.125	0.09	0.018	0
DSNB-NR-2"-...-T	1.438	1.438	4.125	1.375	6.875	0.09	0.018	0
DSNB-N-2 1/2"-...-T	1.438	1.438	4.25	1	6.25	0.201	0.008	0
DSNB-NR-2 1/2"-...-T	1.438	1.438	4.25	1.375	7	0.201	0.008	0
DSNB-N-3 1/4"-...-T	1.656	1.656	4.75	1.375	7.5	0.16	0.038	0
DSNB-NR-3 1/4"-...-T	1.656	1.656	4.75	1.625	8	0.16	0.038	0
DSNB-N-4"-...-T	1.656	1.656	4.75	1.375	7.5	0.15	0.005	0
DSNB-NR-4"-...-T	1.656	1.656	4.75	1.625	8	0.15	0.005	0
DSNB-N-5"-...-T	1.656	1.656	5	1.375	7.5	0.219	0.015	0
DSNB-NR-5"-...-T	1.656	1.656	5	1.625	8.25	0.219	0.015	0
DSNB-N-6"-...-T	1.906	1.906	5.5	1.625	8.75	–	–	–
DSNB-NR-6"-...-T	1.906	1.906	5.5	1.875	9.25	–	–	–

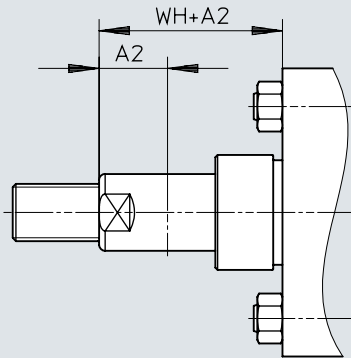
1) With cushioning [P] plus 0.214 inch

2) With noise reduction [SL] at 100 psi

3) With noise reduction [SL]: reduction of the stroke length

Dimensions

Dimensions – [NE] Piston rod extension

Download CAD data → www.festo.com

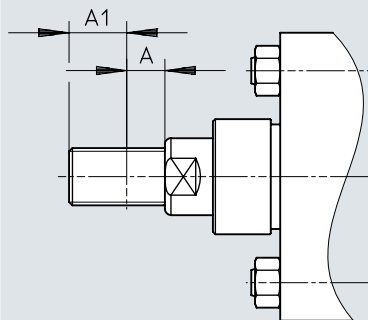
ø	A2		WH ¹⁾ ±0.08	2)		
	min.	max.		0 psi	80 psi	100 psi
DSNB-N-1 1/2"-...-NE	0.0625	6.125	1	0.106	0	0
DSNB-NR-1 1/2"-...-NE	0.0625	6.125	1.375	0.106	0	0
DSNB-N-2"-...-NE	0.0625	6.125	1	0.09	0.018	0
DSNB-NR-2"-...-NE	0.0625	6.125	1.375	0.09	0.018	0
DSNB-N-2 1/2"-...-NE	0.0625	6.125	1	0.201	0.008	0
DSNB-NR-2 1/2"-...-NE	0.0625	6.125	1.375	0.201	0.008	0
DSNB-N-3 1/4"-...-NE	0.0625	6.125	1.375	0.16	0.038	0
DSNB-NR-3 1/4"-...-NE	0.0625	6.125	1.625	0.16	0.038	0
DSNB-N-4"-...-NE	0.0625	6.125	1.375	0.15	0.005	0
DSNB-NR-4"-...-NE	0.0625	6.125	1.625	0.15	0.005	0
DSNB-N-5"-...-NE	0.0625	6.125	1.375	0.219	0.015	0
DSNB-NR-5"-...-NE	0.0625	6.125	1.625	0.219	0.015	0
DSNB-N-6"-...-NE	0.0625	6.125	1.625	–	–	–
DSNB-NR-6"-...-NE	0.0625	6.125	1.875	–	–	–

1) With noise reduction [SL] at 100 psi

2) With noise reduction [SL]: reduction of the stroke length

Dimensions

Dimensions – [NL] Piston rod thread extension

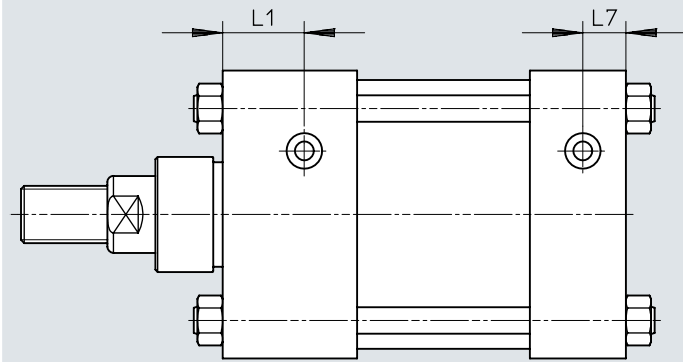
Download CAD data → www.festo.com

ø	A	A1	
		min.	max.
DSNB-N-1 1/2"-...-NL	0.75	0.0625	4.875
DSNB-NR-1 1/2"-...-NL	1.125	0.0625	4.875
DSNB-N-2"-...-NL	0.75	0.0625	4.875
DSNB-NR-2"-...-NL	1.125	0.0625	4.875
DSNB-N-2 1/2"-...-NL	0.75	0.0625	4.875
DSNB-NR-2 1/2"-...-NL	1.125	0.0625	4.875
DSNB-N-3 1/4"-...-NL	1.125	0.0625	4.875
DSNB-NR-3 1/4"-...-NL	1.625	0.0625	4.875
DSNB-N-4"-...-NL	1.125	0.0625	4.875
DSNB-NR-4"-...-NL	1.625	0.0625	4.875
DSNB-N-5"-...-NL	1.125	0.0625	4.875
DSNB-NR-5"-...-NL	1.625	0.0625	4.875
DSNB-N-6"-...-NL	1.625	0.0625	4.875
DSNB-NR-6"-...-NL	2	0.0625	4.875

Dimensions

Dimensions – [P] [PP] [PP2] [PP3] [PPV] [PPV1] [PPV2] Damping

Download CAD data → www.festo.com



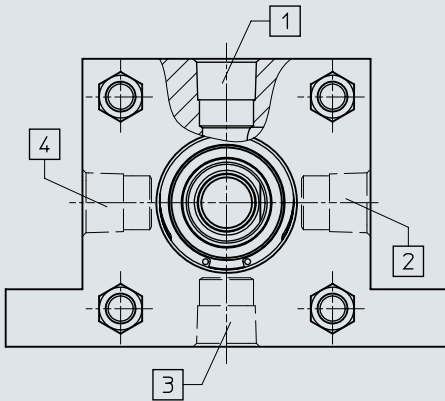
Dimensions

∅	L1	L7
DSNB-N-1 1/2"-...-PP/PPV	1	0.5
DSNB-N-1 1/2"-...-PP2/PPV1	1	-
DSNB-N-1 1/2"-...-PP3/PPV2	-	0.5
DSNB-NR-1 1/2"-...-PP/PPV	1	0.5
DSNB-NR-1 1/2"-...-PP2/PPV1	1	-
DSNB-NR-1 1/2"-...-PP3/PPV2	-	0.5
DSNB-N-2"-...-PP/PPV	1	0.5
DSNB-N-2"-...-PP2/PPV1	1	-
DSNB-N-2"-...-PP3/PPV2	-	0.5
DSNB-NR-2"-...-PP/PPV	1	0.5
DSNB-NR-2"-...-PP2/PPV1	1	-
DSNB-NR-2"-...-PP3/PPV2	-	0.5
DSNB-N-2 1/2"-...-PP/PPV	1	0.5
DSNB-N-2 1/2"-...-PP2/PPV1	1	-
DSNB-N-2 1/2"-...-PP3/PPV2	-	0.5
DSNB-NR-2 1/2"-...-PP/PPV	1	0.5
DSNB-NR-2 1/2"-...-PP2/PPV1	1	-
DSNB-NR-2 1/2"-...-PP3/PPV2	-	0.5
DSNB-N-3 1/4"-...-PP/PPV	1.06	0.56
DSNB-N-3 1/4"-...-PP2/PPV1	1.06	-
DSNB-N-3 1/4"-...-PP3/PPV2	-	0.56
DSNB-NR-3 1/4"-...-PP/PPV	1.06	0.56
DSNB-NR-3 1/4"-...-PP2/PPV1	1.06	-
DSNB-NR-3 1/4"-...-PP3/PPV2	-	0.56
DSNB-N-4"-...-PP/PPV	1.06	0.56
DSNB-N-4"-...-PP2/PPV1	1.06	-
DSNB-N-4"-...-PP3/PPV2	-	0.56
DSNB-NR-4"-...-PP/PPV	1.06	0.56
DSNB-NR-4"-...-PP2/PPV1	1.06	-
DSNB-NR-4"-...-PP3/PPV2	-	0.56
DSNB-N-5"-...-PP/PPV	1.06	0.56
DSNB-N-5"-...-PP2/PPV1	1.06	-
DSNB-N-5"-...-PP3/PPV2	-	0.56
DSNB-NR-5"-...-PP/PPV	1.06	0.56
DSNB-NR-5"-...-PP2/PPV1	1.06	-
DSNB-NR-5"-...-PP3/PPV2	-	0.56
DSNB-N-6"-...-PP/PPV	1.19	0.69
DSNB-N-6"-...-PP2/PPV1	1.19	-
DSNB-N-6"-...-PP3/PPV2	-	0.69
DSNB-NR-6"-...-PP/PPV	1.19	0.69
DSNB-NR-6"-...-PP2/PPV1	1.19	-
DSNB-NR-6"-...-PP3/PPV2	-	0.69

Dimensions

Dimensions – [] [P90] [P180] [P270] Compressed air connection position

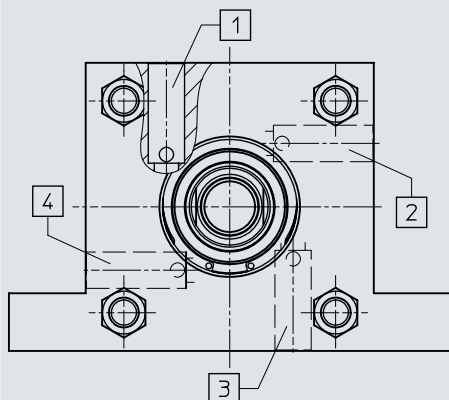
Download CAD data → www.festo.com



- [1] [] Lateral
- [2] [P90] rotated 90°
- [3] [P180] rotated 180°
- [4] [P270] rotated 270°

Dimensions

Dimensions – [R1] [R2] [R3] [R4] Position of the adjusting screw

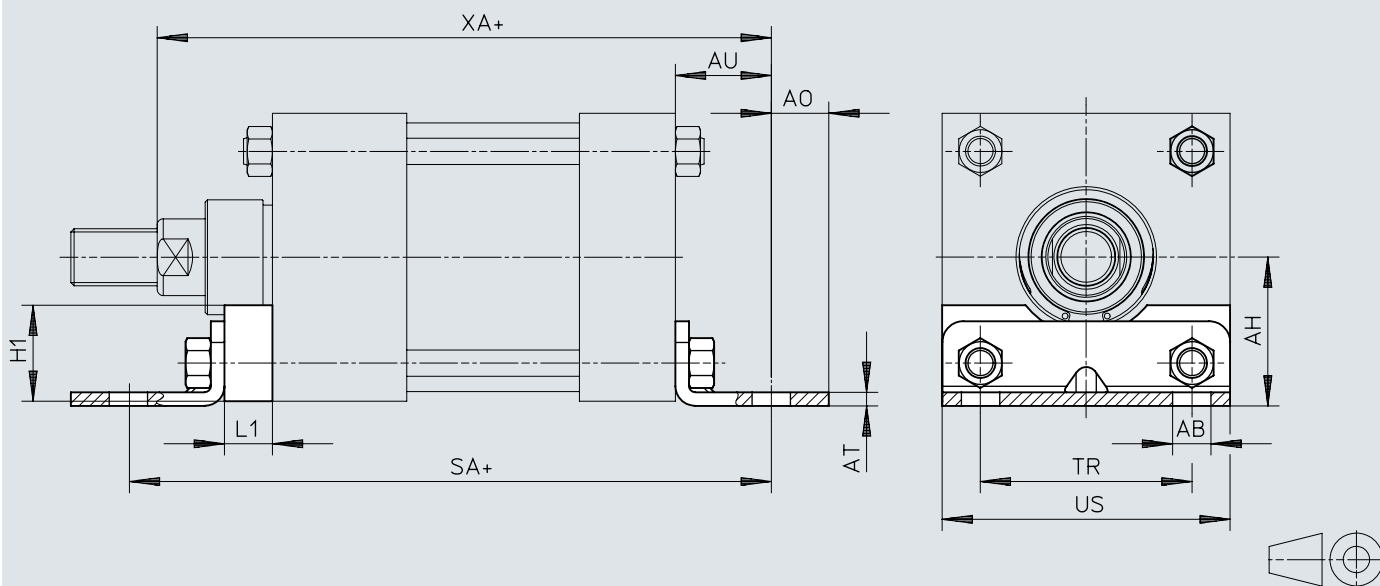
Download CAD data → www.festo.com

- [1] [R1] rotated 0°
- [2] [R2] rotated 90°
- [3] [R3] rotated 180°
- [4] [R4] rotated 270°

Dimensions

Dimensions – [MS1] Foot mounting

Download CAD data → www.festo.com



[1] += plus stroke length

∅	AB	AH	AO	AT	AU	H1	L1	SA ¹⁾	TR	XA ¹⁾²⁾	US	3)		
												±0.06	0 psi	80 psi
DSNB-N-1 1/2"-...-MS1	0.375	1.888	0.375	0.125	1	0.75	0.375	6	1.25	5.625	2	0.106	0	0
DSNB-NR-1 1/2"-...-MS1	0.375	1.888	0.375	0.125	1	0.75	0.375	6	1.25	6	2	0.106	0	0
DSNB-N-2"-...-MS1	0.375	1.438	0.375	0.125	1	0.75	0.375	6	1.75	5.625	2.5	0.09	0.018	0
DSNB-NR-2"-...-MS1	0.375	1.438	0.375	0.125	1	0.75	0.375	6	1.75	6	2.5	0.09	0.018	0
DSNB-N-2 1/2"-...-MS1	0.375	1.625	0.375	0.125	1	1	0.375	6.125	2.25	5.75	3	0.201	0.008	0
DSNB-NR-2 1/2"-...-MS1	0.375	1.625	0.375	0.125	1	1	0.375	6.125	2.25	6.125	3	0.201	0.008	0
DSNB-N-3 1/4"-...-MS1	0.5	1.938	0.5	0.125	1.25	1.25	0.625	7.375	2.75	6.875	3.75	0.16	0.038	0
DSNB-NR-3 1/4"-...-MS1	0.5	1.938	0.5	0.125	1.25	1.25	0.625	7.375	2.75	7.125	3.75	0.16	0.038	0
DSNB-N-4"-...-MS1	0.5	2.25	0.5	0.125	1.25	1.25	0.625	7.375	3.5	6.875	4.5	0.15	0.005	0
DSNB-NR-4"-...-MS1	0.5	2.25	0.5	0.125	1.25	1.25	0.625	7.375	3.5	7.125	4.5	0.15	0.005	0
DSNB-N-5"-...-MS1	0.625	2.75	0.625	0.188	1.375	1.5	0.625	7.875	4.25	7.25	5.5	0.219	0.015	0
DSNB-NR-5"-...-MS1	0.625	2.75	0.625	0.188	1.375	1.5	0.625	7.875	4.25	7.5	5.5	0.219	0.015	0
DSNB-N-6"-...-MS1	0.75	3.25	0.625	0.188	1.375	1.5	0.75	8.5	5.25	8	6.5	–	–	–
DSNB-NR-6"-...-MS1	0.75	3.25	0.625	0.188	1.375	1.5	0.75	8.5	5.25	8.25	6.5	–	–	–

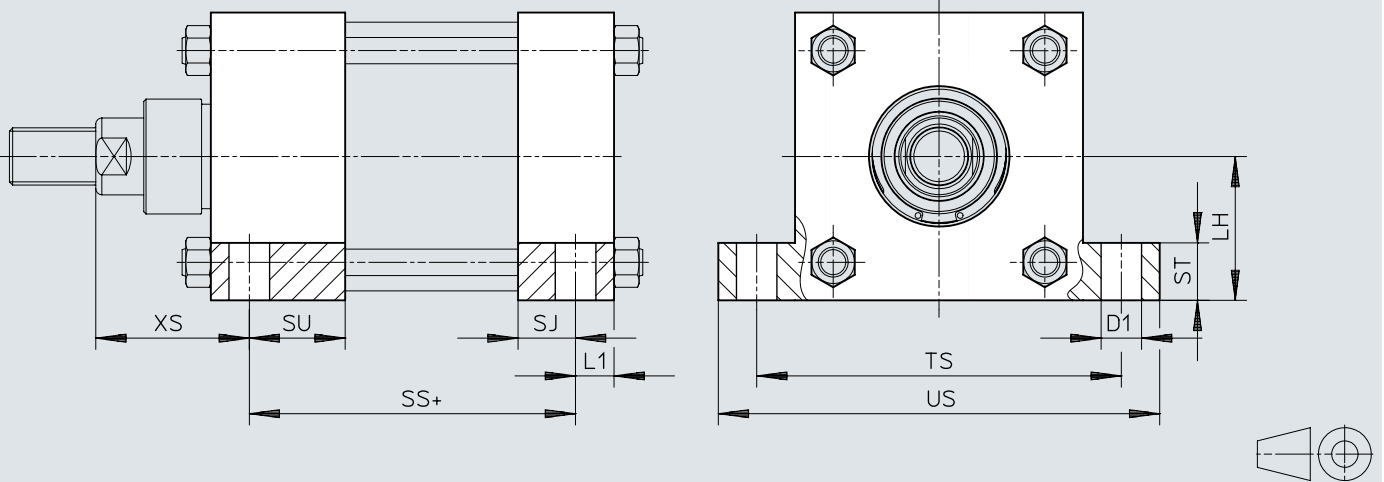
1) With cushioning [P] plus 0.214 inch

2) With noise reduction [SL] at 100 psi

3) With noise reduction [SL]: reduction of the stroke length

Dimensions

Dimensions – [MS2] Foot mounting at the side

Download CAD data → www.festo.com

[1] += plus stroke length

∅	D1	L1	LH	SJ	SS ¹⁾	ST	SU	TS	US	XS ²⁾	3)		
											0 psi	80 psi	100 psi
DSNB-N-1 1/2"-...-MS2	3/8 UNF-2B	0.375	1	0.562	2.875	0.5	1.063	2.75	3.5	1.375	0.106	0	0
DSNB-NR-1 1/2"-...-MS2	3/8 UNF-2B	0.375	1	0.562	2.875	0.5	1.063	2.75	3.5	1.75	0.106	0	0
DSNB-N-2"-...-MS2	3/8 UNF-2B	0.375	1.25	0.562	2.875	0.5	1.063	3.25	4	1.375	0.09	0.018	0
DSNB-NR-2"-...-MS2	3/8 UNF-2B	0.375	1.25	0.562	2.875	0.5	1.063	3.25	4	1.75	0.09	0.018	0
DSNB-N-2 1/2"-...-MS2	3/8 UNF-2B	0.375	1.5	0.562	3	0.5	1.063	3.75	4.5	1.375	0.201	0.008	0
DSNB-NR-2 1/2"-...-MS2	3/8 UNF-2B	0.375	1.5	0.562	3	0.5	1.063	3.75	4.5	1.75	0.201	0.008	0
DSNB-N-3 1/4"-...-MS2	1/2 UNF-2B	0.5	1.875	0.656	3.25	0.75	1.156	4.75	5.75	1.875	0.16	0.038	0
DSNB-NR-3 1/4"-...-MS2	1/2 UNF-2B	0.5	1.875	0.656	3.25	0.75	1.156	4.75	5.75	2.125	0.16	0.038	0
DSNB-N-4"-...-MS2	1/2 UNF-2B	0.5	2.25	0.656	3.25	0.75	1.156	5.5	6.5	1.875	0.15	0.005	0
DSNB-NR-4"-...-MS2	1/2 UNF-2B	0.5	2.25	0.656	3.25	0.75	1.156	5.5	6.5	2.125	0.15	0.005	0
DSNB-N-5"-...-MS2	3/4 UNF-2B	0.688	2.75	0.438	3.125	1	0.969	6.875	8.25	2.063	0.219	0.015	0
DSNB-NR-5"-...-MS2	3/4 UNF-2B	0.688	2.75	0.438	3.125	1	0.969	6.875	8.25	2.313	0.219	0.015	0
DSNB-N-6"-...-MS2	3/4 UNF-2B	0.688	3.25	0.718	3.625	1	1.219	7.875	9.25	2.313	–	–	–
DSNB-NR-6"-...-MS2	3/4 UNF-2B	0.688	3.25	0.718	3.625	1	1.219	7.875	9.25	2.563	–	–	–

1) With cushioning [P] plus 0.214 inch

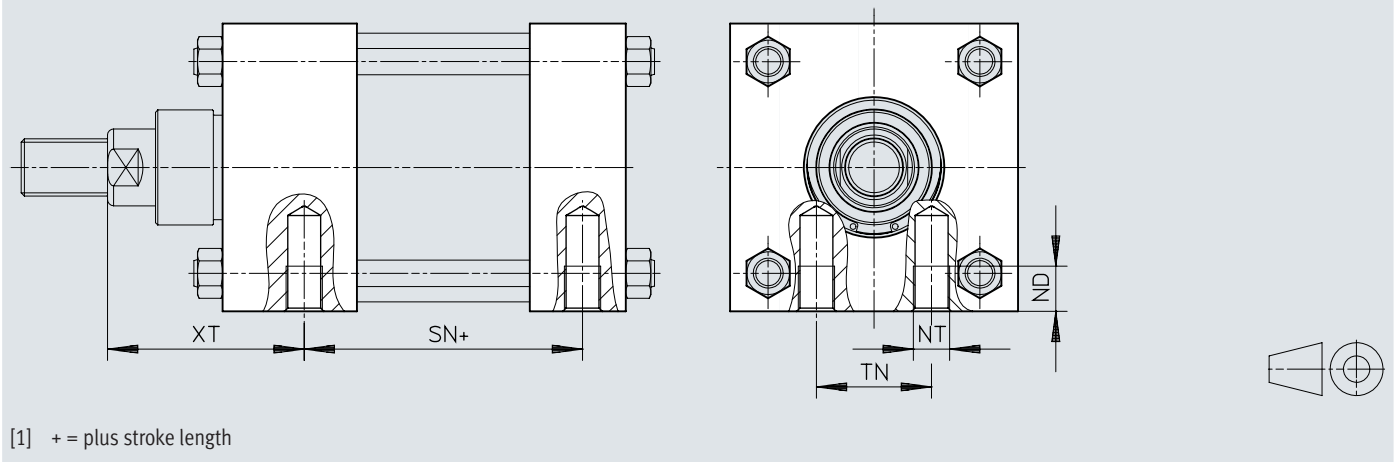
2) With noise reduction [SL] at 100 psi

3) With noise reduction [SL]: reduction of the stroke length

Dimensions

Dimensions – [MS4] Direct mounting

Download CAD data → www.festo.com

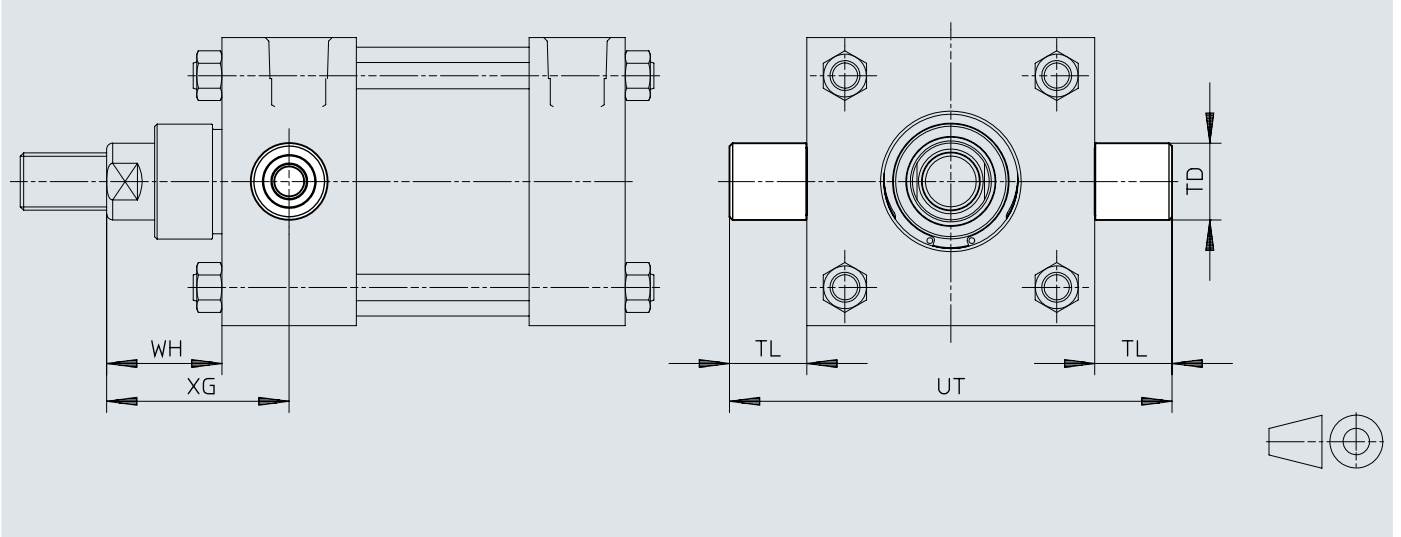


ø	ND	NT	SN ¹⁾	TN	XT ²⁾	3)		
						0 psi	80 psi	100 psi
DSNB-N-1 1/2"-...-MS4	0.375	1/4-20 UNF-2B	±0.05 2.25	0.625	±0.08 1.938	0.106	0	0
DSNB-NR-1 1/2"-...-MS4	0.313	1/4-20 UNF-2B	2.25	0.625	2.313	0.106	0	0
DSNB-N-2"-...-MS4	0.5	5/16-18 UNF-2B	2.25	0.875	1.938	0.09	0.018	0
DSNB-NR-2"-...-MS4	0.5	5/16-18 UNF-2B	2.25	0.857	2.313	0.09	0.018	0
DSNB-N-2 1/2"-...-MS4	0.625	3/8-16 UNF-2B	2.375	1.25	1.938	0.201	0.008	0
DSNB-NR-2 1/2"-...-MS4	0.625	3/8-16 UNF-2B	2.375	1.25	2.313	0.201	0.008	0
DSNB-N-3 1/4"-...-MS4	0.75	1/2-13 UNF-2B	2.625	1.5	2.438	0.16	0.038	0
DSNB-NR-3 1/4"-...-MS4	0.75	1/2-13 UNF-2B	2.625	1.5	2.688	0.16	0.038	0
DSNB-N-4"-...-MS4	0.75	1/2-13 UNF-2B	2.625	2.063	2.438	0.15	0.005	0
DSNB-NR-4"-...-MS4	0.75	1/2-13 UNF-2B	2.625	2.063	2.688	0.15	0.005	0
DSNB-N-5"-...-MS4	1	5/8-11 UNF-2B	2.875	2.688	2.438	0.219	0.015	0
DSNB-NR-5"-...-MS4	1	5/8-11 UNF-2B	2.875	2.688	2.688	0.219	0.015	0
DSNB-N-6"-...-MS4	1.125	3/4-10 UNF-2B	3.125	3.25	2.813	–	–	–
DSNB-NR-6"-...-MS4	1.125	3/4-10 UNF-2B	3.125	3.25	3.063	–	–	–

- 1) With cushioning [P] plus 0.214 inch
- 2) With noise reduction [SL] at 100 psi
- 3) With noise reduction [SL]: reduction of the stroke length

Dimensions

Dimensions – [MT1] Swivel mounting on the bearing cap

Download CAD data → www.festo.com

∅	TD ∅	TL	UT	WH ¹⁾ ±0.08	XG ¹⁾	2)		
						0 psi	80 psi	100 psi
DSNB-N-1 1/2"-...-MT1	1	1	4	1	1.75	0.106	0	0
DSNB-NR-1 1/2"-...-MT1	1	1	4	1.375	2.13	0.106	0	0
DSNB-N-2"-...-MT1	1	1	4.5	1	1.75	0.09	0.018	0
DSNB-NR-2"-...-MT1	1	1	4.5	1.375	2.13	0.09	0.018	0
DSNB-N-2 1/2"-...-MT1	1	1	5	1	1.75	0.201	0.008	0
DSNB-NR-2 1/2"-...-MT1	1	1	5	1.375	2.13	0.201	0.008	0
DSNB-N-3 1/4"-...-MT1	1	1	5.75	1.375	2.25	0.16	0.038	0
DSNB-NR-3 1/4"-...-MT1	1	1	5.75	1.625	2.5	0.16	0.038	0
DSNB-N-4"-...-MT1	1	1	6.5	1.375	2.25	0.15	0.005	0
DSNB-NR-4"-...-MT1	1	1	6.5	1.625	2.5	0.15	0.005	0
DSNB-N-5"-...-MT1	1	1	7.5	1.375	2.25	0.219	0.015	0
DSNB-NR-5"-...-MT1	1	1	7.5	1.625	2.5	0.219	0.015	0
DSNB-N-6"-...-MT1	1.375	1.375	9.25	1.625	2.63	–	–	–
DSNB-NR-6"-...-MT1	1.375	1.375	9.25	1.875	2.88	–	–	–

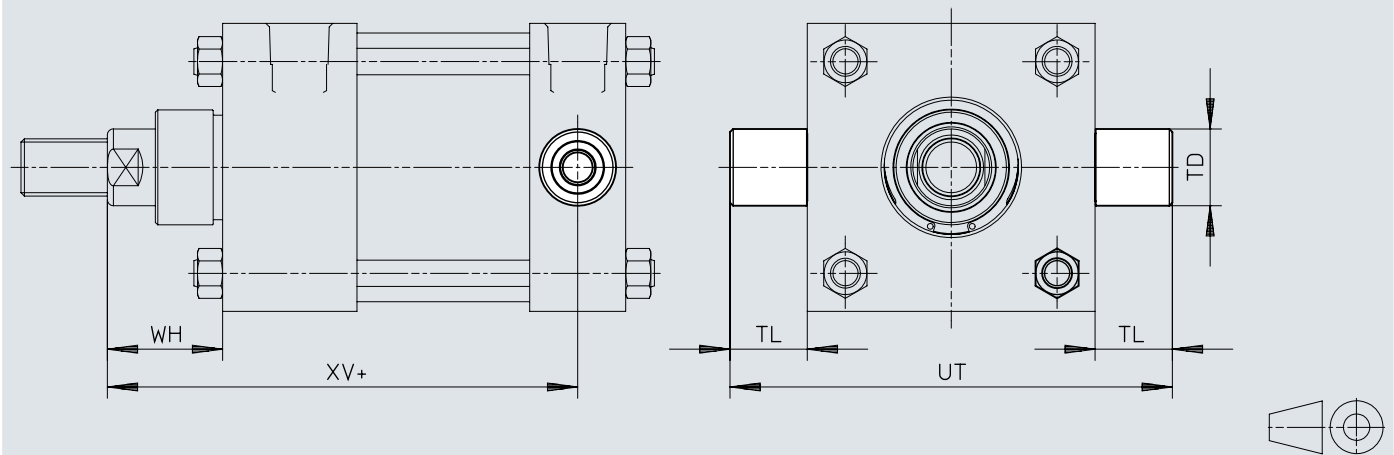
1) With noise reduction [SL] at 100 psi

2) With noise reduction [SL]: reduction of the stroke length

Dimensions

Dimensions – [MT2] Swivel mounting on the end cap

Download CAD data → www.festo.com



[1] += plus stroke length

∅	TD ∅	TL	UT	WH ¹⁾ ±0.08	XV ¹⁾²⁾	3)		
						0 psi	80 psi	100 psi
DSNB-N-1 1/2"-...-MT2	1	1	4	1	4.13	0.106	0	0
DSNB-NR-1 1/2"-...-MT2	1	1	4	1.375	4.5	0.106	0	0
DSNB-N-2"-...-MT2	1	1	4.5	1	4.13	0.09	0.018	0
DSNB-NR-2"-...-MT2	1	1	4.5	1.375	4.5	0.09	0.018	0
DSNB-N-2 1/2"-...-MT2	1	1	5	1	4.25	0.201	0.008	0
DSNB-NR-2 1/2"-...-MT2	1	1	5	1.375	4.63	0.201	0.008	0
DSNB-N-3 1/4"-...-MT2	1	1	5.75	1.375	5	0.16	0.038	0
DSNB-NR-3 1/4"-...-MT2	1	1	5.75	1.625	5.25	0.16	0.038	0
DSNB-N-4"-...-MT2	1	1	6.5	1.375	5	0.15	0.005	0
DSNB-NR-4"-...-MT2	1	1	6.5	1.625	5.25	0.15	0.005	0
DSNB-N-5"-...-MT2	1	1	7.5	1.375	5.25	0.219	0.015	0
DSNB-NR-5"-...-MT2	1	1	7.5	1.625	5.5	0.219	0.015	0
DSNB-N-6"-...-MT2	1.375	1.375	9.25	1.625	5.88	–	–	–
DSNB-NR-6"-...-MT2	1.375	1.375	9.25	1.875	6.13	–	–	–

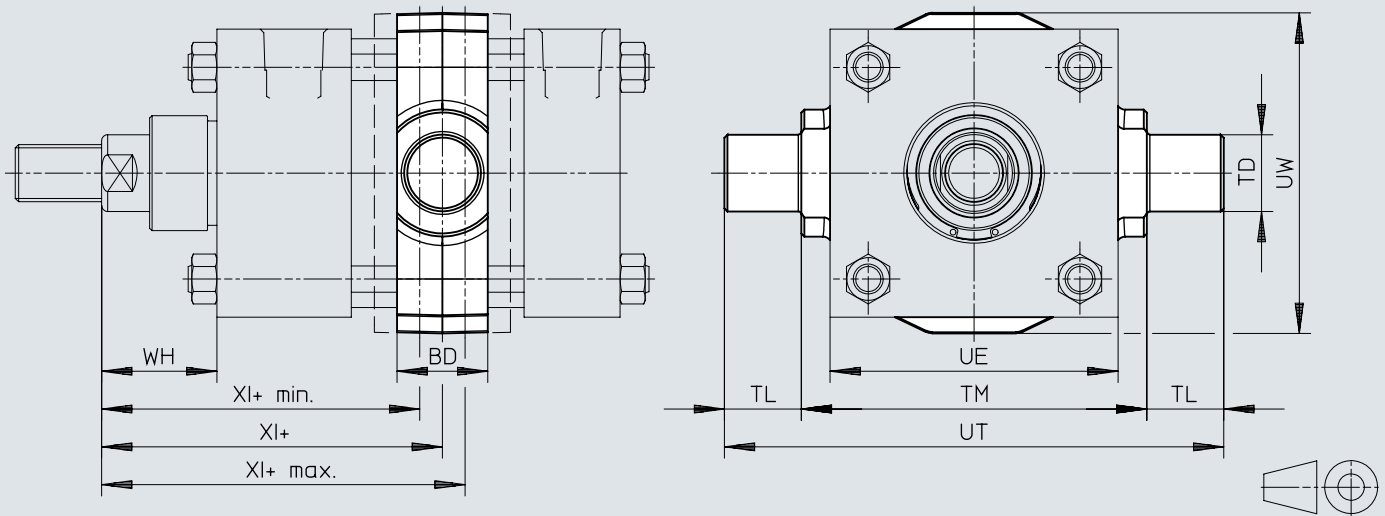
1) With noise reduction [SL] at 100 psi

2) With cushioning [P] plus 0.214 inch

3) With noise reduction [SL]: reduction of the stroke length

Dimensions

Dimensions – [MT4] Trunnion flange mounting position, positive-locking

Download CAD data → www.festo.com

[1] += plus 1/2x stroke length

∅	1)	BD	TD ∅	TL	TM	UE	UT	UW	WH ²⁾ ±0.08	XI ³⁾ min.	XI ²⁾³⁾	XI ³⁾ max.	4)		
													0 psi	80 psi	100 psi
DSNB-N-1 1/2"-...-MT4	0	1.25	1	1	2.5	2.5	4.5	2.5	1	3.06	3.06	3.063	0.106	0	0
DSNB-NR-1 1/2"-...-MT4	0	1.25	1	1	2.5	2.5	4.5	2.5	1.375	3.44	3.44	3.438	0.106	0	0
DSNB-N-2"-...-MT4	0.25	1.5	1	1	3	3	5	3	1	3.19	2.94	2.938	0.09	0.018	0
DSNB-NR-2"-...-MT4	0.25	1.5	1	1	3	3	5	3	1.375	3.56	3.31	3.313	0.09	0.018	0
DSNB-N-2 1/2"-...-MT4	0.125	1.5	1	1	3.5	3.5	5.5	3.5	1	3.19	3.06	3.063	0.201	0.008	0
DSNB-NR-2 1/2"-...-MT4	0.125	1.5	1	1	3.5	3.5	5.5	3.5	1.375	3.56	3.44	3.438	0.201	0.008	0
DSNB-N-3 1/4"-...-MT4	0.563	2	1	1	4.5	4.5	6.5	4.25	1.375	4.03	3.47	3.469	0.16	0.038	0
DSNB-NR-3 1/4"-...-MT4	0.563	2	1	1	4.5	4.5	6.5	4.25	1.625	4.28	3.72	3.719	0.16	0.038	0
DSNB-N-4"-...-MT4	0.563	2	1	1	5.25	5.25	7.25	5	1.375	4.03	3.47	3.469	0.15	0.005	0
DSNB-NR-4"-...-MT4	0.563	2	1	1	5.25	5.25	7.25	5	1.625	4.28	3.72	3.719	0.15	0.005	0
DSNB-N-5"-...-MT4	0.313	2	1	1	6.25	6.25	8.25	6	1.375	4.03	3.72	3.719	0.219	0.015	0
DSNB-NR-5"-...-MT4	0.313	2	1	1	6.25	6.25	8.25	6	1.625	4.28	3.97	3.969	0.219	0.015	0
DSNB-N-6"-...-MT4	0.813	2.5	1.375	1.375	7.625	7.625	10.38	7	1.625	4.78	3.97	3.969	–	–	–
DSNB-NR-6"-...-MT4	0.813	2.5	1.375	1.375	7.625	7.625	10.38	7	1.875	5.03	5.03	4.219	–	–	–

1) Min. stroke

2) With noise reduction [SU] at 100 psi

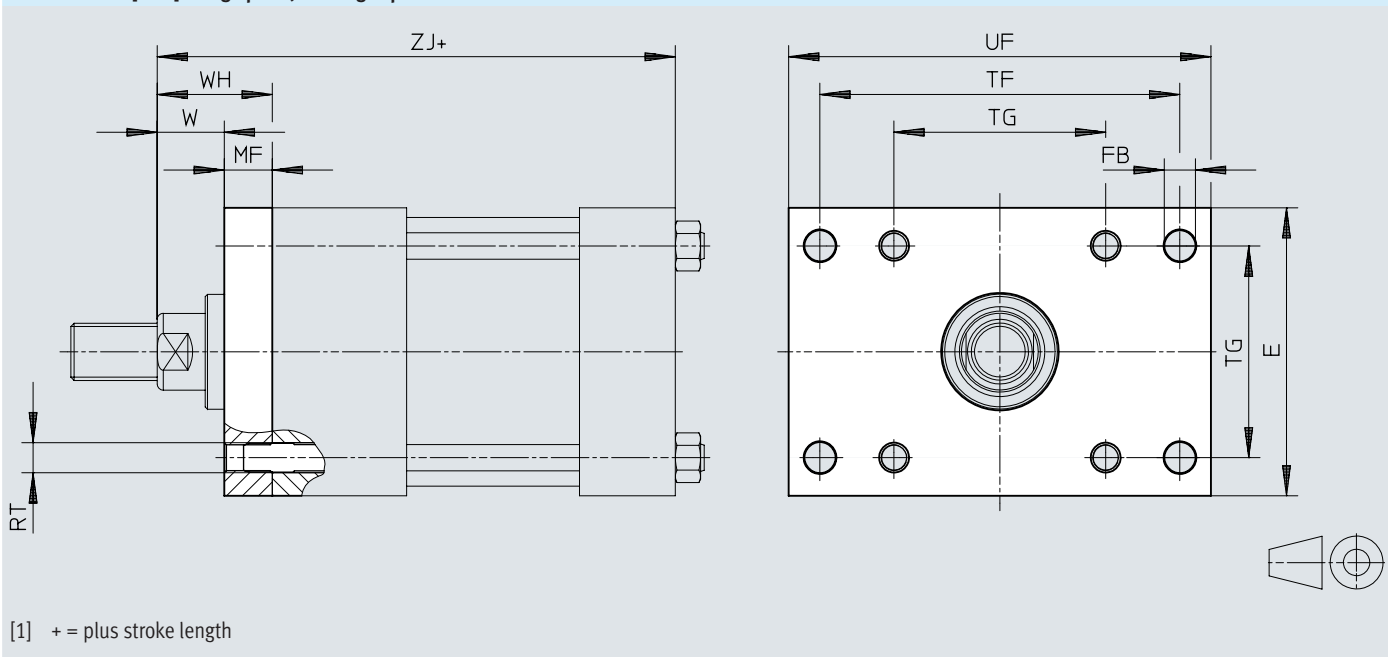
3) With cushioning [P] plus 0.107 inch

4) With noise reduction [SU]: reduction of the stroke length

Dimensions

Dimensions – [MF1] Flange plate, bearing cap

Download CAD data → www.festo.com

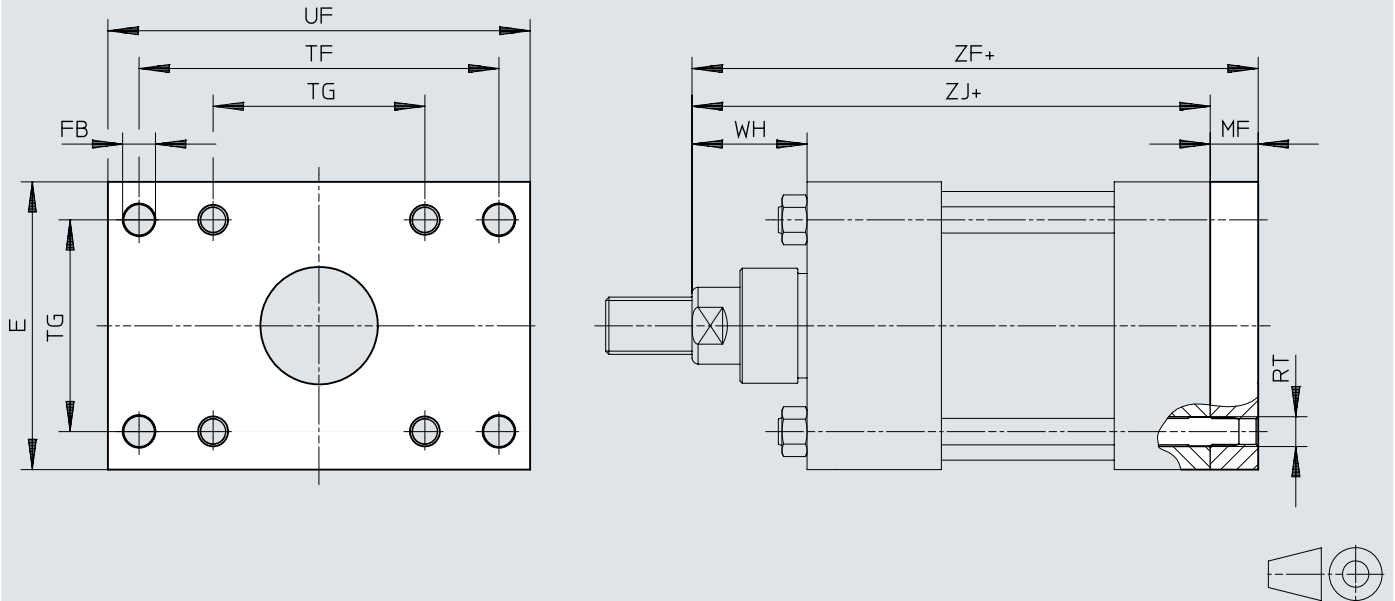


∅	E	FB ∅	MF	RT	TF	TG	UF	W ¹⁾ ±0.08	WH	ZJ ¹⁾²⁾ ±0.05	3)		
											0 psi	80 psi	100 psi
DSNB-N-1 1/2"-...-MF1	2	1/4	0.375	1/4-28 UNF-2B	2.75	1.428	3.375	0.625	1	4.625	0.106	0	0
DSNB-NR-1 1/2"-...-MF1	2	1/4	0.375	1/4-28 UNF-2B	2.75	1.428	3.375	1	1.375	5	0.106	0	0
DSNB-N-2"-...-MF1	2.5	5/16	0.375	5/16-24 UNF-2B	3.375	1.838	4.125	0.625	1	4.625	0.09	0.018	0
DSNB-NR-2"-...-MF1	2.5	5/16	0.375	5/16-24 UNF-2B	3.375	1.838	4.125	1	1.375	5	0.09	0.018	0
DSNB-N-2 1/2"-...-MF1	3	5/16	0.375	5/16-24 UNF-2B	3.875	2.192	4.625	0.625	1	4.75	0.201	0.008	0
DSNB-NR-2 1/2"-...-MF1	3	5/16	0.375	5/16-24 UNF-2B	3.875	2.192	4.625	1	1.375	5.125	0.201	0.008	0
DSNB-N-3 1/4"-...-MF1	3.75	3/8	0.625	3/8-24 UNF-2B	4.688	2.758	5.5	0.75	1.375	5.625	0.16	0.038	0
DSNB-NR-3 1/4"-...-MF1	3.75	3/8	0.625	3/8-24 UNF-2B	4.688	2.758	5.5	1	1.625	5.875	0.16	0.038	0
DSNB-N-4"-...-MF1	4.5	3/8	0.625	3/8-24 UNF-2B	5.438	3.323	6.25	0.75	1.375	5.625	0.15	0.005	0
DSNB-NR-4"-...-MF1	4.5	3/8	0.625	3/8-24 UNF-2B	5.438	3.323	6.25	1	1.625	5.875	0.15	0.005	0
DSNB-N-5"-...-MF1	5.5	1/2	0.625	1/2-20 UNF-2B	6.625	4.101	7.625	0.75	1.375	5.875	0.219	0.015	0
DSNB-NR-5"-...-MF1	5.5	1/2	0.625	1/2-20 UNF-2B	6.625	4.101	7.625	1	1.625	6.125	0.219	0.015	0
DSNB-N-6"-...-MF1	6.5	1/2	0.75	1/2-20 UNF-2B	7.625	4.879	8.625	0.875	1.625	6.625	-	-	-
DSNB-NR-6"-...-MF1	6.5	1/2	0.75	1/2-20 UNF-2B	7.625	4.879	8.625	1.125	1.875	6.875	-	-	-

1) With noise reduction [SL] at 100 psi
 2) With cushioning [P] plus 0.214 inch
 3) With noise reduction [SL]: reduction of the stroke length

Dimensions

Dimensions – [MF2] Flange plate, end cap

Download CAD data → www.festo.com

[1] += plus stroke length

∅	E	FB ∅	MF	RT	TF	TG	UF	WH	ZF ¹⁾²⁾ ±0.05	ZJ ¹⁾²⁾ ±0.05	3)		
											0 psi	80 psi	100 psi
DSNB-N-1 1/2"-...-MF2	2	1/4	0.375	1/4-28 UNF-2B	2.75	1.428	3.375	1	5	4.625	0.106	0	0
DSNB-NR-1 1/2"-...-MF2	2	1/4	0.375	1/4-28 UNF-2B	2.75	1.428	3.375	1.375	5.375	5	0.106	0	0
DSNB-N-2"-...-MF2	2.5	5/16	0.375	5/16-24 UNF-2B	3.375	1.838	4.125	1	5	4.625	0.09	0.018	0
DSNB-NR-2"-...-MF2	2.5	5/16	0.375	5/16-24 UNF-2B	3.375	1.838	4.125	1.375	5.375	5	0.09	0.018	0
DSNB-N-2 1/2"-...-MF2	3	5/16	0.375	5/16-24 UNF-2B	3.875	2.192	4.625	1	5.125	4.75	0.201	0.008	0
DSNB-NR-2 1/2"-...-MF2	3	5/16	0.375	5/16-24 UNF-2B	3.875	2.192	4.625	1.375	5.5	5.125	0.201	0.008	0
DSNB-N-3 1/4"-...-MF2	3.75	3/8	0.625	3/8-24 UNF-2B	4.688	2.758	5.5	1.375	6.25	5.625	0.16	0.038	0
DSNB-NR-3 1/4"-...-MF2	3.75	3/8	0.625	3/8-24 UNF-2B	4.688	2.758	5.5	1.625	6.5	5.875	0.16	0.038	0
DSNB-N-4"-...-MF2	4.5	3/8	0.625	3/8-24 UNF-2B	5.438	3.323	6.25	1.375	6.25	5.625	0.15	0.005	0
DSNB-NR-4"-...-MF2	4.5	3/8	0.625	3/8-24 UNF-2B	5.438	3.323	6.25	1.625	6.5	5.875	0.15	0.005	0
DSNB-N-5"-...-MF2	5.5	1/2	0.625	1/2-20 UNF-2B	6.625	4.101	7.625	1.375	6.5	5.875	0.219	0.015	0
DSNB-NR-5"-...-MF2	5.5	1/2	0.625	1/2-20 UNF-2B	6.625	4.101	7.625	1.625	6.75	6.125	0.219	0.015	0
DSNB-N-6"-...-MF2	6.5	1/2	0.75	1/2-20 UNF-2B	7.625	4.879	8.625	1.625	7.375	6.625	–	–	–
DSNB-NR-6"-...-MF2	6.5	1/2	0.75	1/2-20 UNF-2B	7.625	4.879	8.625	1.875	7.625	6.875	–	–	–

1) With noise reduction [SL] at 100 psi

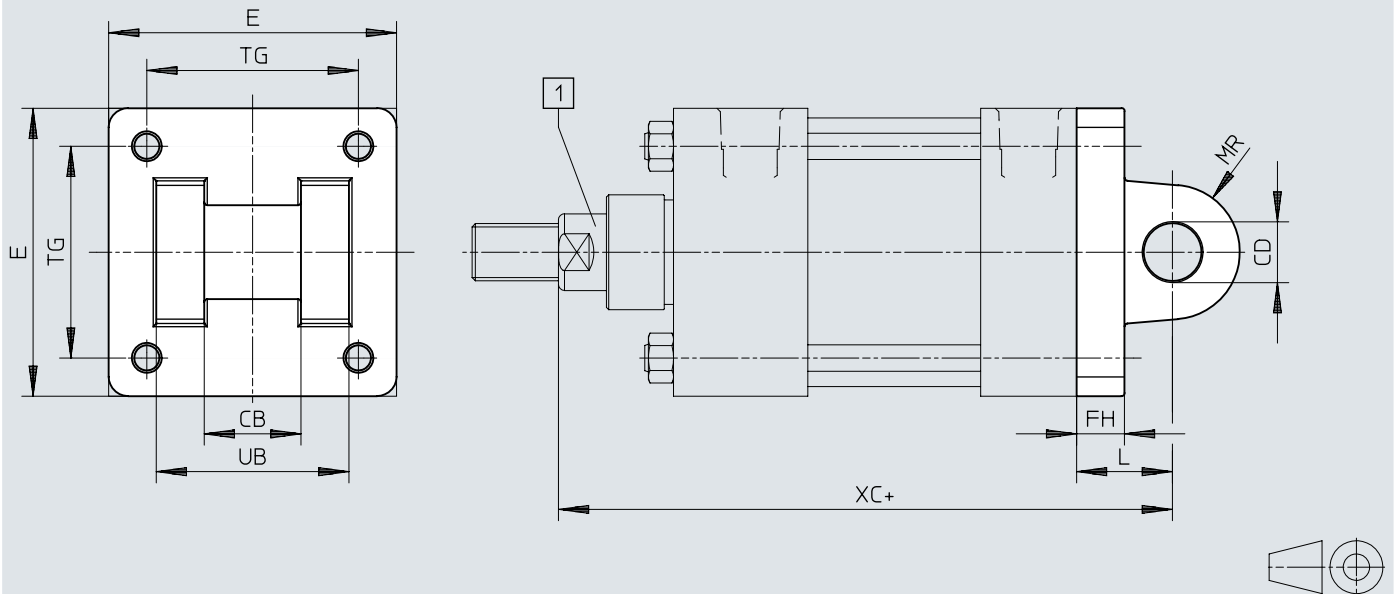
2) With cushioning [P] plus 0.214 inch

3) With noise reduction [SL]: reduction of the stroke length

Dimensions

Dimensions – [MP1] Swivel bearing

Download CAD data → www.festo.com



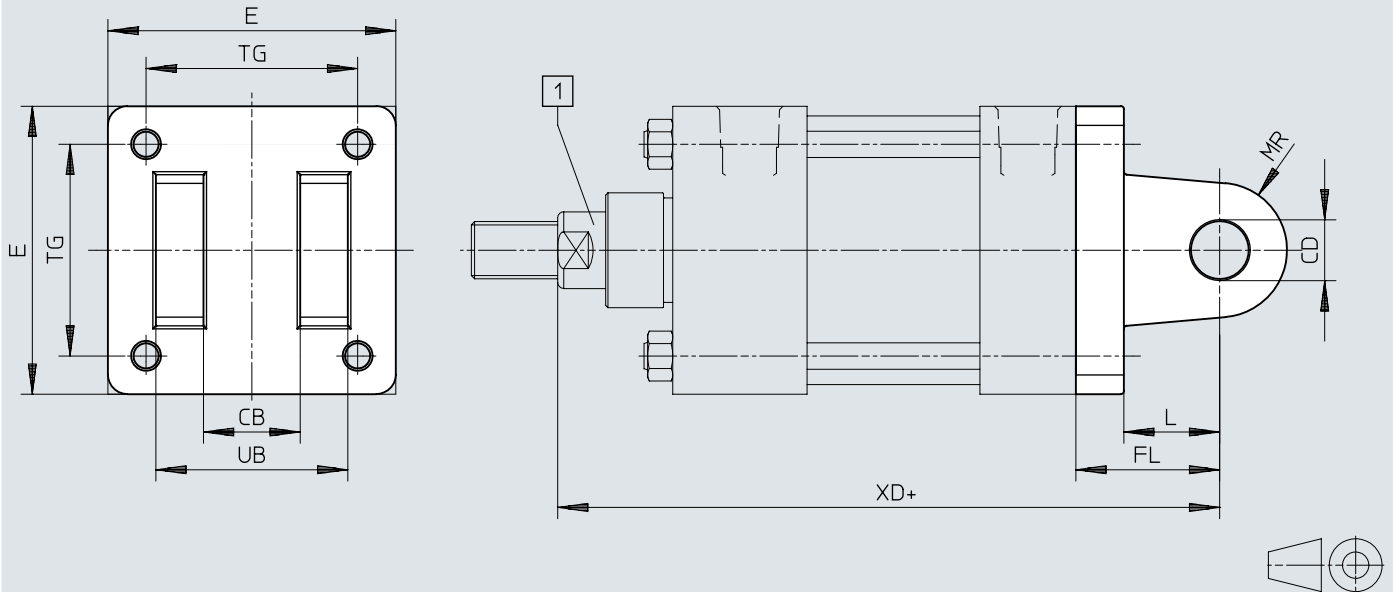
[1] += plus stroke length

ø	[1] ø	CB	CD ø	E	FH	L	MR	TG	UB	XC ¹⁾²⁾ ±0.06	3)		
											0 psi	80 psi	100 psi
DSNB-N-1 1/2"-...-MP1	0.625	0.75	0.5	2	0.375	0.75	1	1.428	1.75	5.375	0.106	0	0
DSNB-NR-1 1/2"-...-MP1	1	0.75	0.5	2	0.375	0.75	1	1.428	1.75	5.75	0.106	0	0
DSNB-N-2"-...-MP1	0.625	0.75	0.5	2.5	0.375	0.75	1	1.838	1.75	5.375	0.09	0.018	0
DSNB-NR-2"-...-MP1	1	0.75	0.5	2.5	0.375	0.75	1	1.838	1.75	5.75	0.09	0.018	0
DSNB-N-2 1/2"-...-MP1	0.625	0.75	0.5	3	0.375	0.75	1	2.192	1.75	5.5	0.201	0.008	0
DSNB-NR-2 1/2"-...-MP1	1	0.75	0.5	3	0.375	0.75	1	2.192	1.75	5.875	0.201	0.008	0
DSNB-N-3 1/4"-...-MP1	1	1.25	0.75	3.75	0.625	1.25	1.5	2.758	2.5	6.875	0.16	0.038	0
DSNB-NR-3 1/4"-...-MP1	1.375	1.25	0.75	3.75	0.625	1.25	1.5	2.758	2.5	7.125	0.16	0.038	0
DSNB-N-4"-...-MP1	1	1.25	0.75	4.5	0.625	1.25	1.5	3.323	2.5	6.875	0.15	0.005	0
DSNB-NR-4"-...-MP1	1.375	1.25	0.75	4.5	0.625	1.25	1.5	3.323	2.5	7.125	0.15	0.005	0
DSNB-N-5"-...-MP1	1	1.25	0.75	5.5	0.625	1.25	1.5	4.101	2.5	7.125	0.219	0.015	0
DSNB-NR-5"-...-MP1	1.375	1.25	0.75	5.5	0.625	1.25	1.5	4.101	2.5	7.375	0.219	0.015	0
DSNB-N-6"-...-MP1	1.375	1.5	1	6.5	0.75	1.5	2	4.879	3	8.125	-	-	-
DSNB-NR-6"-...-MP1	1.75	1.5	1	6.5	0.75	1.5	2	4.879	3	8.375	-	-	-

- 1) With noise reduction [SL] at 100 psi
 2) With cushioning [P] plus 0.214 inch
 3) With noise reduction [SL]: reduction of the stroke length

Dimensions

Dimensions – [MP2] Swivel mounting

Download CAD data → www.festo.com

[1] += plus stroke length

∅	[1] ∅	CB	CD ∅	E	FL	L	MR	TG	UB	XD ¹⁾²⁾ ±0.06	3)		
											0 psi	80 psi	100 psi
DSNB-N-1 1/2"-...-MP2	0.625	0.75	0.5	2	1.125	0.75	1	1.428	1.75	5.75	0.106	0	0
DSNB-NR-1 1/2"-...-MP2	1	0.75	0.5	2	1.125	0.75	1	1.428	1.75	6.125	0.106	0	0
DSNB-N-2"-...-MP2	0.625	0.75	0.5	2.5	1.125	0.75	1	1.838	1.75	5.75	0.09	0.018	0
DSNB-NR-2"-...-MP2	1	0.75	0.5	2.5	1.125	0.75	1	1.838	1.75	6.125	0.09	0.018	0
DSNB-N-2 1/2"-...-MP2	0.625	0.75	0.5	3	1.125	0.75	1	2.192	1.75	5.875	0.201	0.008	0
DSNB-NR-2 1/2"-...-MP2	1	0.75	0.5	3	1.125	0.75	1	2.192	1.75	6.25	0.201	0.008	0
DSNB-N-3 1/4"-...-MP2	1	1.25	0.75	3.75	1.875	1.25	1.5	2.758	2.5	7.5	0.16	0.038	0
DSNB-NR-3 1/4"-...-MP2	1.375	1.25	0.75	3.75	1.875	1.25	1.5	2.758	2.5	7.75	0.16	0.038	0
DSNB-N-4"-...-MP2	1	1.25	0.75	4.5	1.875	1.25	1.5	3.323	2.5	7.5	0.15	0.005	0
DSNB-NR-4"-...-MP2	1.375	1.25	0.75	4.5	1.875	1.25	1.5	3.323	2.5	7.75	0.15	0.005	0
DSNB-N-5"-...-MP2	1	1.25	0.75	5.5	1.875	1.25	1.5	4.101	2.5	7.75	0.219	0.015	0
DSNB-NR-5"-...-MP2	1.375	1.25	0.75	5.5	1.875	1.25	1.5	4.101	2.5	8	0.219	0.015	0
DSNB-N-6"-...-MP2	1.375	1.5	1	6.5	2.25	1.5	2	4.879	3	8.875	-	-	-
DSNB-NR-6"-...-MP2	1.75	1.5	1	6.5	2.25	1.5	2	4.879	3	9.125	-	-	-

1) With noise reduction [SL] at 100 psi

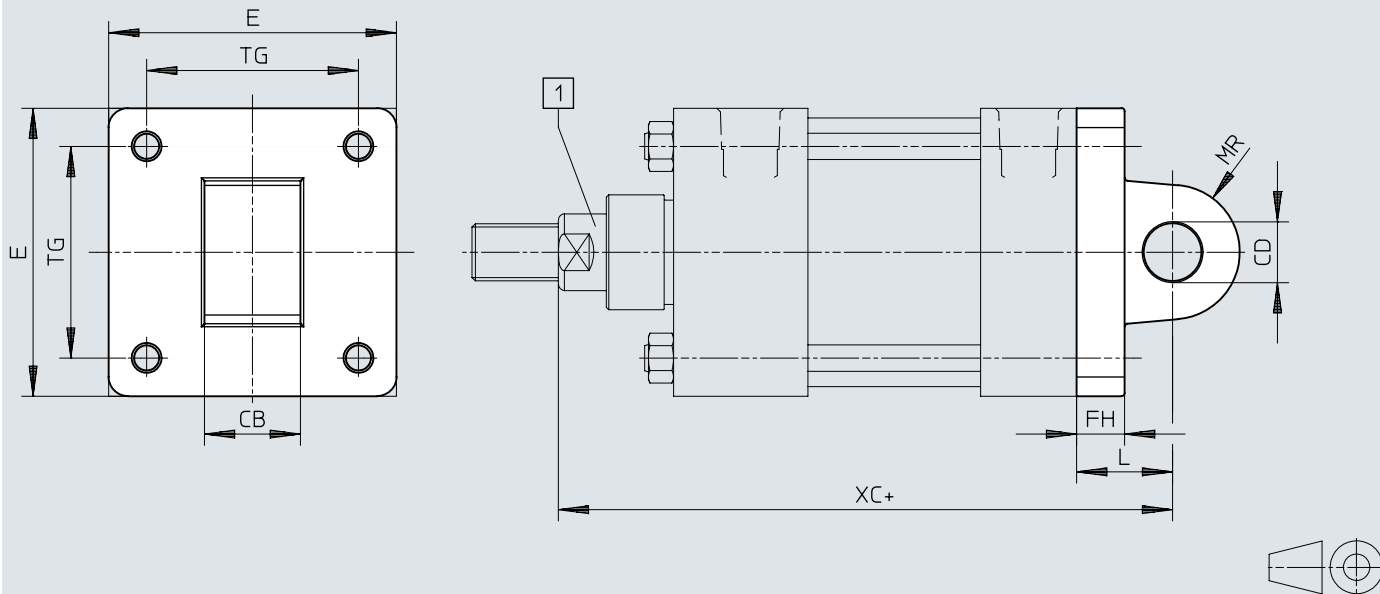
2) With cushioning [P] plus 0.214 inch

3) With noise reduction [SL]: reduction of the stroke length

Dimensions

Dimensions – [MP3] Swivelling rod eye mounting in the end cap

Download CAD data → www.festo.com



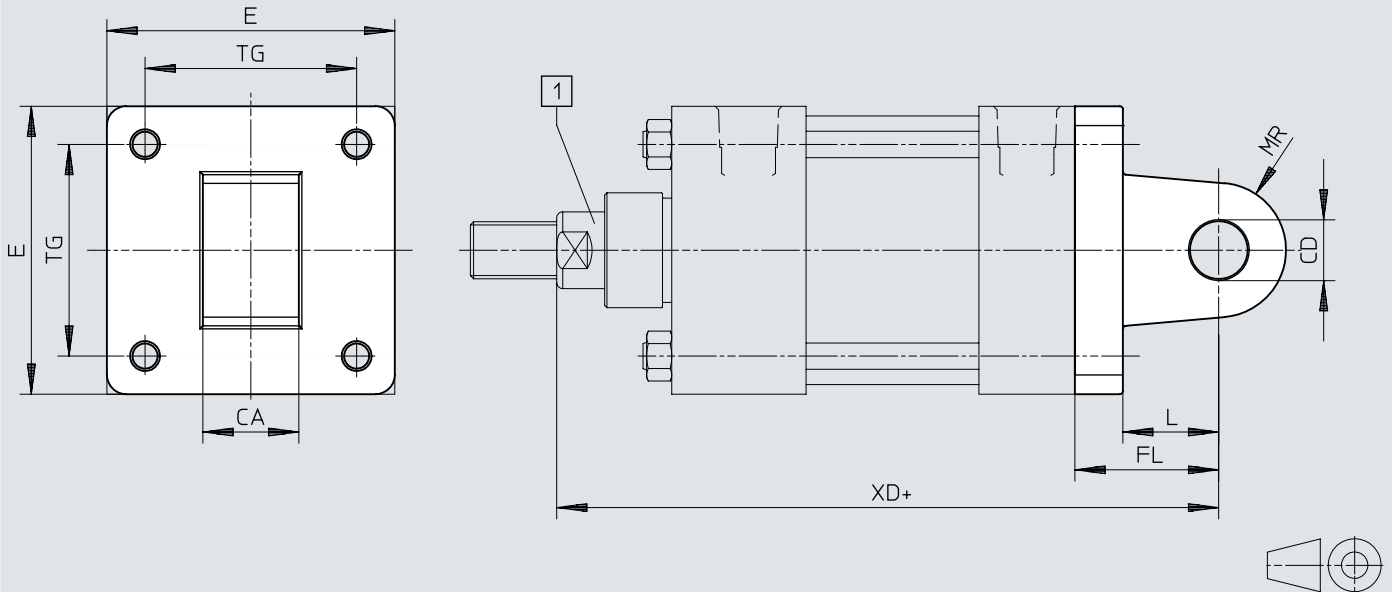
[1] += plus stroke length

∅	[1] ∅	CB	CD ∅	E	FH	L	MR	TG	XC ¹⁾²⁾ ±0.06	3)		
										0 psi	80 psi	100 psi
DSNB-N-1 1/2"-...-MP3	0.625	0.75	0.5	2	0.375	0.75	1	1.428	5.375	0.106	0	0
DSNB-NR-1 1/2"-...-MP3	1	0.75	0.5	2	0.375	0.75	1	1.428	5.75	0.106	0	0
DSNB-N-2"-...-MP3	0.625	0.75	0.5	2.5	0.375	0.75	1	1.838	5.375	0.09	0.018	0
DSNB-NR-2"-...-MP3	1	0.75	0.5	2.5	0.375	0.75	1	1.838	5.75	0.09	0.018	0
DSNB-N-2 1/2"-...-MP3	0.625	0.75	0.5	3	0.375	0.75	1	2.192	5.5	0.201	0.008	0
DSNB-NR-2 1/2"-...-MP3	1	0.75	0.5	3	0.375	0.75	1	2.192	5.875	0.201	0.008	0
DSNB-N-3 1/4"-...-MP3	1	1.25	0.75	3.75	0.625	1.25	1.5	2.758	6.875	0.16	0.038	0
DSNB-NR-3 1/4"-...-MP3	1.375	1.25	0.75	3.75	0.625	1.25	1.5	2.758	7.125	0.16	0.038	0
DSNB-N-4"-...-MP3	1	1.25	0.75	4.5	0.625	1.25	1.5	3.323	6.875	0.15	0.005	0
DSNB-NR-4"-...-MP3	1.375	1.25	0.75	4.5	0.625	1.25	1.5	3.323	7.125	0.15	0.005	0
DSNB-N-5"-...-MP3	1	1.25	0.75	5.5	0.625	1.25	1.5	4.101	7.125	0.219	0.015	0
DSNB-NR-5"-...-MP3	1.375	1.25	0.75	5.5	0.625	1.25	1.5	4.101	7.375	0.219	0.015	0
DSNB-N-6"-...-MP3	1.375	1.5	1	6.5	0.75	1.5	2	4.879	8.125	-	-	-
DSNB-NR-6"-...-MP3	1.75	1.5	1	6.5	0.75	1.5	2	4.879	8.375	-	-	-

- 1) With noise reduction [SL] at 100 psi
- 2) With cushioning [P] plus 0.214 inch
- 3) With noise reduction [SL]: reduction of the stroke length

Dimensions

Dimensions – [MP4] Swivelling rod eye mounting

Download CAD data → www.festo.com

[1] += plus stroke length

∅	[1] ∅	CA	CD ∅	E	FL	L	MR	TG	XD ¹⁾²⁾ ±0.06	3)		
										0 psi	80 psi	100 psi
DSNB-N-1 1/2"-...-MP4	0.625	0.75	0.5	2	1.125	0.75	1	1.428	5.75	0.106	0	0
DSNB-NR-1 1/2"-...-MP4	1	0.75	0.5	2	1.125	0.75	1	1.428	6.125	0.106	0	0
DSNB-N-2"-...-MP4	0.625	0.75	0.5	2.5	1.125	0.75	1	1.838	5.75	0.09	0.018	0
DSNB-NR-2"-...-MP4	1	0.75	0.5	2.5	1.125	0.75	1	1.838	6.125	0.09	0.018	0
DSNB-N-2 1/2"-...-MP4	0.625	0.75	0.5	3	1.125	0.75	1	2.192	5.875	0.201	0.008	0
DSNB-NR-2 1/2"-...-MP4	1	0.75	0.5	3	1.125	0.75	1	2.192	6.25	0.201	0.008	0
DSNB-N-3 1/4"-...-MP4	1	1.25	0.75	3.75	1.875	1.25	1.5	2.758	7.5	0.16	0.038	0
DSNB-NR-3 1/4"-...-MP4	1.375	1.25	0.75	3.75	1.875	1.25	1.5	2.758	7.75	0.16	0.038	0
DSNB-N-4"-...-MP4	1	1.25	0.75	4.5	1.875	1.25	1.5	3.323	7.5	0.15	0.005	0
DSNB-NR-4"-...-MP4	1.375	1.25	0.75	4.5	1.875	1.25	1.5	3.323	7.75	0.15	0.005	0
DSNB-N-5"-...-MP4	1	1.25	0.75	5.5	1.875	1.25	1.5	4.101	7.75	0.219	0.015	0
DSNB-NR-5"-...-MP4	1.375	1.25	0.75	5.5	1.875	1.25	1.5	4.101	8	0.219	0.015	0
DSNB-N-6"-...-MP4	1.375	1.5	1	6.5	2.25	1.5	2	4.879	8.875	-	-	-
DSNB-NR-6"-...-MP4	1.75	1.5	1	6.5	2.25	1.5	2	4.879	9.125	-	-	-

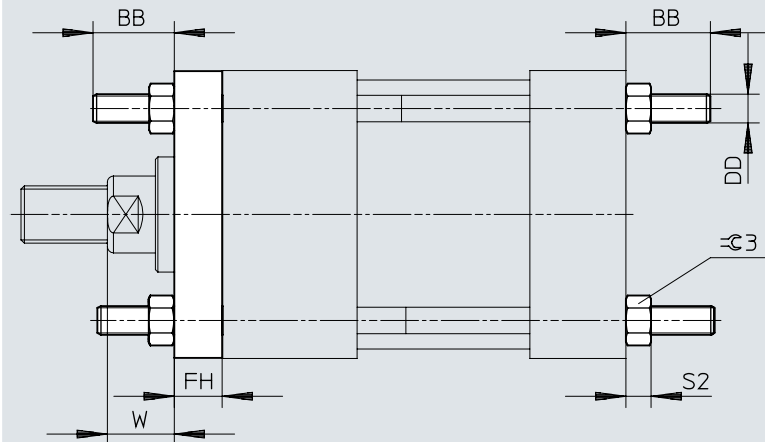
1) With noise reduction [SL] at 100 psi

2) With cushioning [P] plus 0.214 inch

3) With noise reduction [SL]: reduction of the stroke length

Dimensions

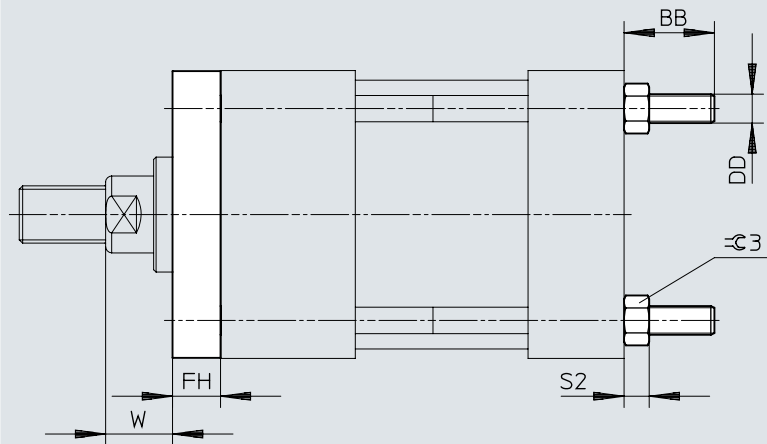
Dimensions – [MX1] Threaded rods at both ends

Download CAD data → www.festo.com

∅	BB	DD ∅	FH	S2	W	3
DSNB-N-1 1/2"-...-MX1	1	1/4-28 UNF-2A	0.375	0.218	0.625	0.438
DSNB-NR-1 1/2"-...-MX1	1	1/4-28 UNF-2A	0.375	0.218	1	0.438
DSNB-N-2"-...-MX1	1.125	5/6-24 UNF-2A	0.375	0.265	0.625	0.5
DSNB-NR-2"-...-MX1	1.125	5/6-24 UNF-2A	0.375	0.265	1	0.5
DSNB-N-2 1/2"-...-MX1	1.125	5/6-24 UNF-2A	0.375	0.265	0.625	0.5
DSNB-NR-2 1/2"-...-MX1	1.125	5/6-24 UNF-2A	0.375	0.265	1	0.5
DSNB-N-3 1/4"-...-MX1	1.375	3/8-24 UNF-2A	0.625	0.328	0.75	0.563
DSNB-NR-3 1/4"-...-MX1	1.375	3/8-24 UNF-2A	0.625	0.328	1	0.563
DSNB-N-4"-...-MX1	1.375	3/8-24 UNF-2A	0.625	0.328	0.75	0.563
DSNB-NR-4"-...-MX1	1.375	3/8-24 UNF-2A	0.625	0.328	1	0.563
DSNB-N-5"-...-MX1	1.813	1/2-20 UNF-2A	0.625	0.438	0.75	0.75
DSNB-NR-5"-...-MX1	1.813	1/2-20 UNF-2A	0.625	0.438	1	0.75
DSNB-N-6"-...-MX1	1.813	1/2-20 UNF-2A	0.75	0.438	0.875	0.75
DSNB-NR-6"-...-MX1	1.813	1/2-20 UNF-2A	0.75	0.438	1.125	0.75

Dimensions

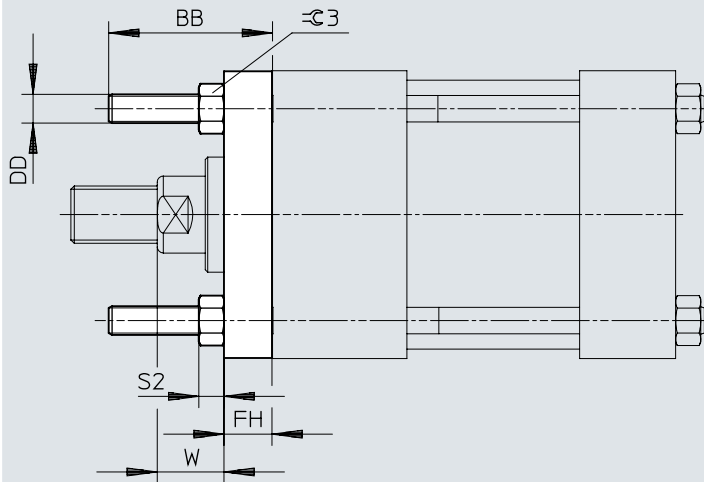
Dimensions – [MX2] Threaded rods, end cap

Download CAD data → www.festo.com

∅	BB	DD ∅	FH	S2	W	≅ 3
DSNB-N-1 1/2"-...-MX2	1	1/4-28 UNF-2A	0.375	0.218	0.625	0.438
DSNB-NR-1 1/2"-...-MX2	1	1/4-28 UNF-2A	0.375	0.218	1	0.438
DSNB-N-2"-...-MX2	1.125	5/6-24 UNF-2A	0.375	0.265	0.625	0.5
DSNB-NR-2"-...-MX2	1.125	5/6-24 UNF-2A	0.375	0.265	1	0.5
DSNB-N-2 1/2"-...-MX2	1.125	5/6-24 UNF-2A	0.375	0.265	0.625	0.5
DSNB-NR-2 1/2"-...-MX2	1.125	5/6-24 UNF-2A	0.375	0.265	1	0.5
DSNB-N-3 1/4"-...-MX2	1.375	3/8-24 UNF-2A	0.625	0.328	0.75	0.563
DSNB-NR-3 1/4"-...-MX2	1.375	3/8-24 UNF-2A	0.625	0.328	1	0.563
DSNB-N-4"-...-MX2	1.375	3/8-24 UNF-2A	0.625	0.328	0.75	0.563
DSNB-NR-4"-...-MX2	1.375	3/8-24 UNF-2A	0.625	0.328	1	0.563
DSNB-N-5"-...-MX2	1.813	1/2-20 UNF-2A	0.625	0.438	0.75	0.75
DSNB-NR-5"-...-MX2	1.813	1/2-20 UNF-2A	0.625	0.438	1	0.75
DSNB-N-6"-...-MX2	1.813	1/2-20 UNF-2A	0.75	0.438	0.875	0.75
DSNB-NR-6"-...-MX2	1.813	1/2-20 UNF-2A	0.75	0.438	1.125	0.75

Dimensions

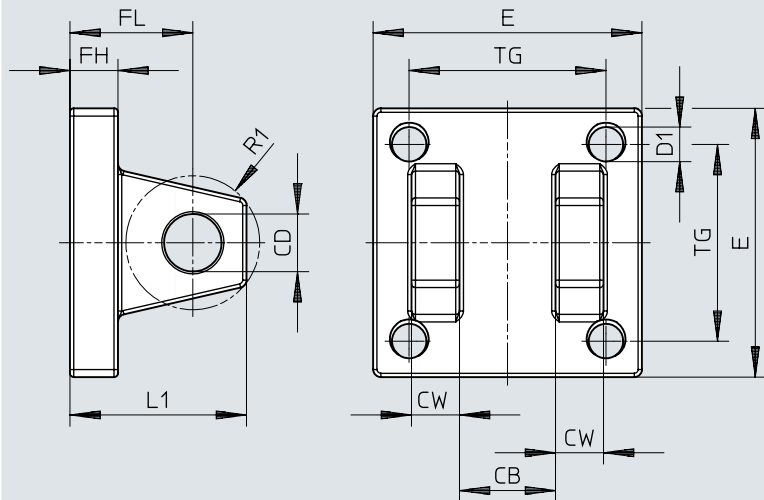
Dimensions – [MX3] Threaded rods, bearing cap

Download CAD data → www.festo.com

\emptyset	BB	DD \emptyset	FH	S2	W	$\approx \text{C} 3$
DSNB-N-1 1/2"-...-MX3	1	1/4-28 UNF-2A	0.375	0.218	0.625	0.438
DSNB-NR-1 1/2"-...-MX3	1	1/4-28 UNF-2A	0.375	0.218	1	0.438
DSNB-N-2"-...-MX3	1.125	5/16-24 UNF-2A	0.375	0.265	0.625	0.5
DSNB-NR-2"-...-MX3	1.125	5/16-24 UNF-2A	0.375	0.265	1	0.5
DSNB-N-2 1/2"-...-MX3	1.125	5/16-24 UNF-2A	0.375	0.265	0.625	0.5
DSNB-NR-2 1/2"-...-MX3	1.125	5/16-24 UNF-2A	0.375	0.265	1	0.5
DSNB-N-3 1/4"-...-MX3	1.375	3/8-24 UNF-2A	0.625	0.328	0.75	0.563
DSNB-NR-3 1/4"-...-MX3	1.375	3/8-24 UNF-2A	0.625	0.328	1	0.563
DSNB-N-4"-...-MX3	1.375	3/8-24 UNF-2A	0.625	0.328	0.75	0.563
DSNB-NR-4"-...-MX3	1.375	3/8-24 UNF-2A	0.625	0.328	1	0.563
DSNB-N-5"-...-MX3	1.813	1/2-20 UNF-2A	0.625	0.438	0.75	0.75
DSNB-NR-5"-...-MX3	1.813	1/2-20 UNF-2A	0.625	0.438	1	0.75
DSNB-N-6"-...-MX3	1.813	1/2-20 UNF-2A	0.75	0.438	0.875	0.75
DSNB-NR-6"-...-MX3	1.813	1/2-20 UNF-2A	0.75	0.438	1.125	0.75

Dimensions

Dimensions – Swivel mounting DAMC-C7-...-D

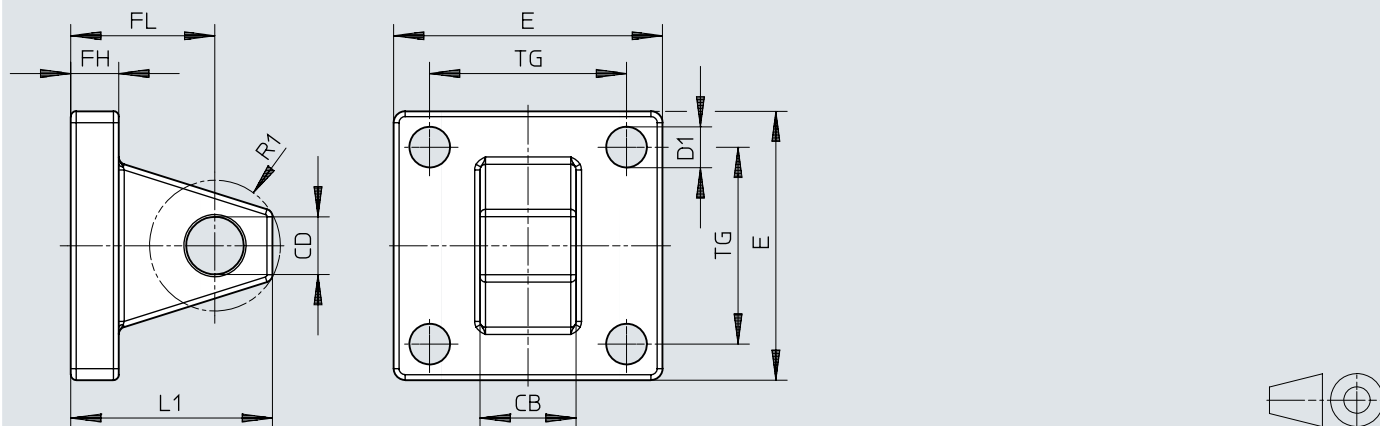
Download CAD data → www.festo.com

DSNB	DAMC-C7-...-D	CB	CD ∅	CW	D1	E	FH	FL	L1	R1	TG
1 1/2"	DAMC-C7-1 1/2"-D	0.75	0.5	0.5	3/8-24 UNF-2B	2.5	0.375	1.125	0.625	0.5	1.625
3 1/4"	DAMC-C7-3 1/4"-D	1.25	0.75	0.625	1/2-20 UNF-2B	3.5	0.625	1.875	2.625	1.063	2.563
6"	DAMC-C7-6"-D	1.5	1	0.75	5/8-18 UNF-2B	4.5	0.75	2.25	3.25	1.25	3.25

Dimensions

Dimensions – Swivel mounting DAMC-C7-...-C

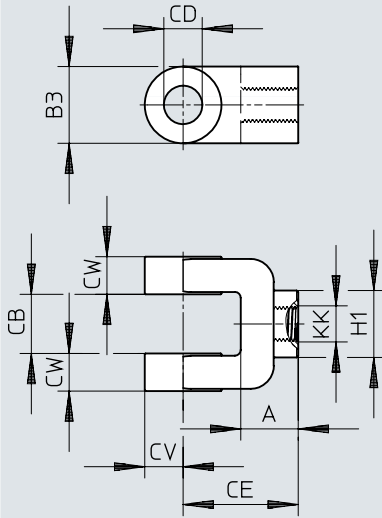
Download CAD data → www.festo.com



DSNB	DAMC-C7-...-C	CB	CD ∅	D1	E	FH	FL	L1	R1	TG
1 1/2"	DAMC-C7-1 1/2"-C	0.75	0.5	0.406	2.5	0.375	1.125	1.625	0.75	1.625
3 1/4"	DAMC-C7-3 1/4"-C	1.25	0.75	0.531	3.5	0.625	1.875	2.625	1.25	2.563
6"	DAMC-C7-6"-C	1.5	1	0.656	4.5	0.75	2.25	3.25	1.5	3.25

Dimensions

Dimensions – Rod clevis DARC-C7-U...

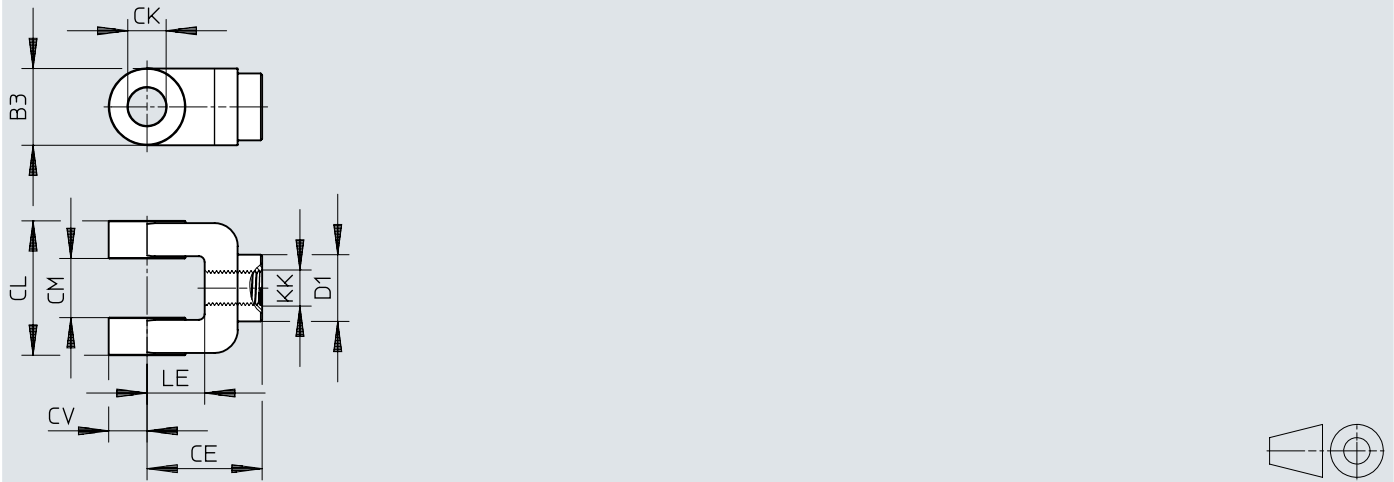
Download CAD data → www.festo.com

DSNB	DARC-C7-U...	A	B3	CB	CD ∅	CE	CV	CW	H1	KK
1 1/2"	DARC-C7-U12	0.75	1	0.75	0.5	1.5	0.5	0.5	1	1/2-20 UNF-2B
2"										
2 1/2"										
1 1/2"	DARC-C7-U78	1.625	2	1.5	1	3.125	1	0.75	1.5	7/8-14 UNF-2B
2"										
2 1/2"										
3 1/4"										
4"										
5"										
3 1/4"	DARC-C7-U1	1.625	2	1.5	1	3.125	1	0.75	1.5	1-14 UNS-2B
4"										
5"										
6"	DARC-C7-U114	2	2.75	2	1.375	4.125	1.375	1	2	1 1/4-12 UNF-2B
3 1/4"										
4"										
5"										
6"	DARC-C7-U112	2.25	3.5	2.5	1.75	4.5	1.75	1.25	2.375	1 1/2-12 UNF-2B

Dimensions

Dimensions – Rod clevis DARC-C7-U...

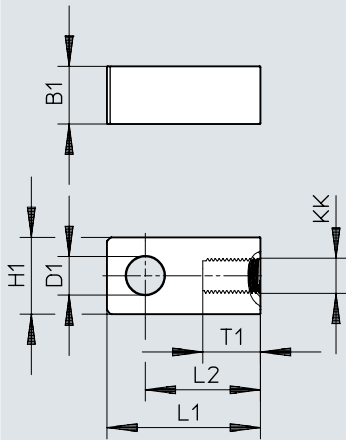
Download CAD data → www.festo.com



DSNB	DARC-C7-U...	B3	CE	CK ∅	CL	CM	CV	D1 ∅	KK	LE
1 1/2"	DARC-C7-U716	1	1.5	0.5	1.75	0.77	0.5	0.87	7/16-20 UNF-2B	0.75
2"										
2 1/2"										
1 1/2"	DARC-C7-U34	1.5	2.38	0.75	2.5	1.27	0.75	1.34	3/4-16 UNF-2B	1.25
2"										
2 1/2"										
3 1/4"										
4"										
5"										

Dimensions

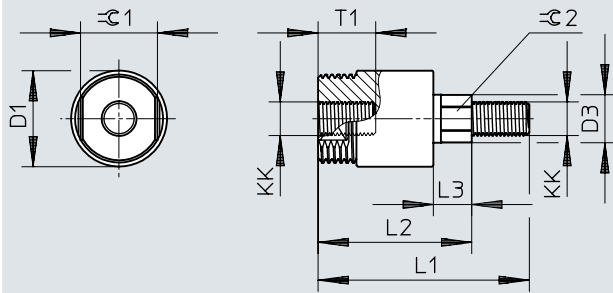
Dimensions – Rod eye DARC-C7B-U...

Download CAD data → www.festo.com

DSNB	DARC-C7B-U...	B1	D1 ∅	H1	KK	L1	L2	T1
1 1/2"	DARC-C7B-U716	0.75	0.5	1	7/16-20 UNF-2B	2	1.5	0.75
2"								
2 1/2"								
1 1/2"	DARC-C7B-U34	1.25	0.75	1.5	3/4-16 UNF-2B	2.81	2.06	1.13
2"								
2 1/4"								
3 1/4"								
4"								
5"								
1 1/2"	DARC-C7B-U12	0.75	0.5	1	1/2-20 UNF-2B	2	1.5	0.75
2"								
2 1/2"								
3 1/4"	DARC-C7B-U1	1.5	1	1	1-14 UNS-2B	3.813	2.813	1.625
4"								
5"								
6"								
3 1/4"								
4"	DARC-C7B-U114	2	1.375	2.75	1 1/4-12 UNF-2B	4.813	3.438	2
5"								
6"								
6"	DARC-C7B-U112	2.5	1.75	3.5	1 1/2-12 UNF-2B	5.75	4	2.25

Dimensions

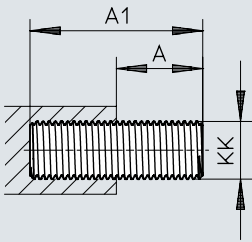
Dimensions – Self-aligning rod coupler DARP-C7-U...-F

Download CAD data → www.festo.com

DSNB	DARP-C7-U...-F	D1 ∅	D3 ∅	KK	L1	L2	L3	T1	$\approx C1$	$\approx C2$
1 1/2"	DARP-C7-U716-F	1.25	0.63	7/16-20 UNF-2B	2.75	2	0.5	0.75	1	0.5
2"										
2 1/2"										
1 1/2"	DARP-C7-U34-F	1.75	0.97	3/4-16 UNF-2B	3.48	2.35	0.5	1.13	1.5	0.81
2"										
2 1/2"										
3 1/4"										
4"										
5"										
1 1/2"	DARP-C7-U12-F	1.25	0.63	1/2-20 UNF-2B	2.75	2	0.5	0.75	1	0.5
2"										
2 1/2"										
1 1/2"	DARP-C7-U78-F	1.75	0.97	7/18-14 UNF-2B	3.44	2.31	0.5	1.13	1.5	0.81
2"										
2 1/2"										
3 1/4"										
4"										
5"										
3 1/4"	DARP-C7-U1-F	2.5	1.38	1-14 UNS-2B	4.57	2.94	0.5	1.63	2.25	1.16
4"										
5"										
6"										
3 1/4"	DARP-C7-U114-F	2.5	1.38	1 1/4-12 UNF-2B	4.57	2.94	0.5	1.63	2.25	1.16
4"										
5"										
6"	DARP-C7-U112-F	3.25	1.75	1 1/2-12 UNF-2B	6.63	4.38	0.81	2.25	3	1.5
6"										

Dimensions

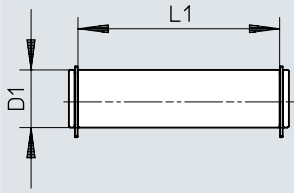
Dimensions – Threaded bolt DARA-U...-M

Download CAD data → www.festo.com

DSNB	DARA-U...-M	A	A1	KK
1 1/2"	DARA-U716-M	0.75	1.5	7/16-20 UNF-2A
2"				
2 1/2"				
1 1/2"	DARA-U34-M	1.13	2.25	3/4-16 UNF-2A
2"				
2 1/2"				
3 1/4"				
4"				
5"	DARA-U1-M	1.63	3.25	1-14 UNS-2A
3 1/4"				
4"				
5"				
6"	DARA-U114-M	2	4	1 1/4-12 UNF-2A
3 1/4"				
4"				
5"				
6"				

Dimensions

Dimensions – Pivot pin DADG-B-C7-...-AS

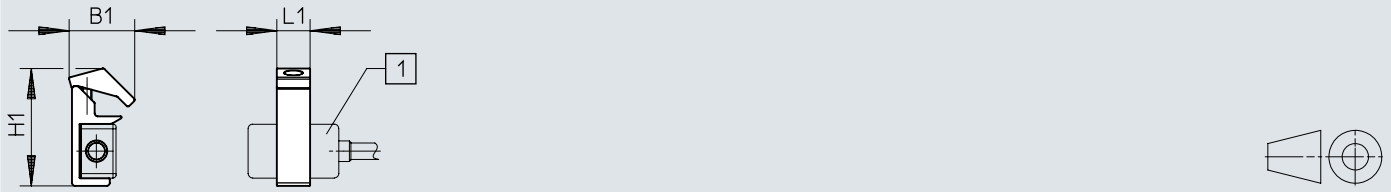
Download CAD data → www.festo.com

DSNB	DADG-B-C7-...-AS	D1 ∅	L1
1 1/2"	DADG-B-C7-1 1/2"-AS	0.5	1.875
2"			
2 1/2"			
3 1/4"	DADG-B-C7-3/4"-AS	0.75	2.625
4"			
6"	DADG-B-C7-1"-AS	1	3.125
– 1)	DADG-B-C7-1 3/8"-AS	1.375	4.125
– 2)	DADG-B-C7-1 3/4"-AS	1.75	5.125

- 1) No direct mounting on cylinder DSNB possible. Pivot pin DADG-B-C7-1 3/8"-AS for mounting on rod clevis DARC-C7-U114 and rod eye DARC-C7B-U114.
 2) No direct mounting on cylinder DSNB possible. Pivot pin DADG-B-C7-1 3/4"-AS for mounting on rod clevis DARC-C7-U112 and rod eye DARC-C7B-U112.

Dimensions

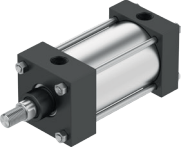
Dimensions – Sensor holder SAMH-FC-SH

Download CAD data → www.festo.com

[1] Proximity switch SDBF-FCS-1L...

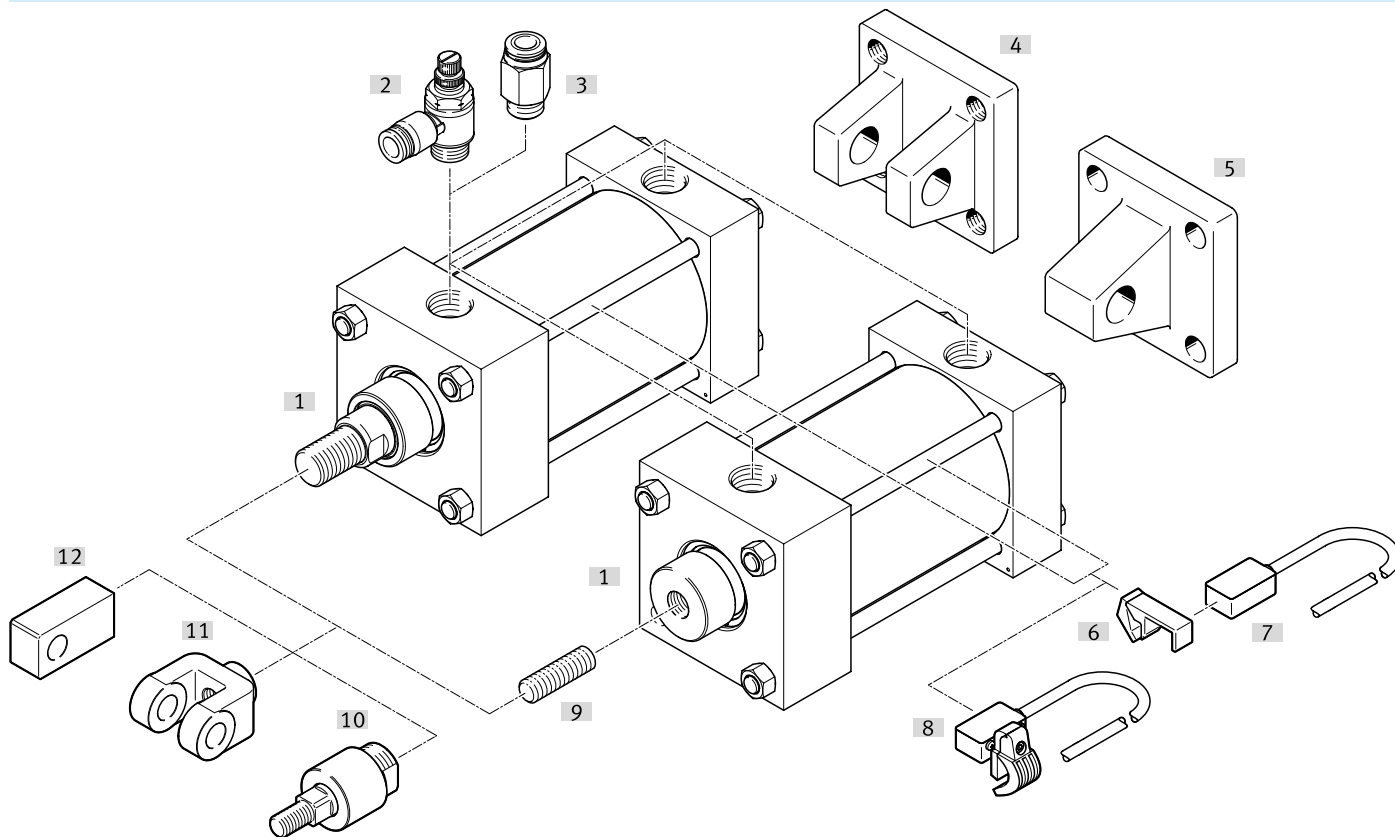
DSNB	SAMH-FC-SH	B1	H1	L1
1 1/2"	SAMH-FC-SH	0.75	1.3	0.43
2"				
2 1/2"				
3 1/4"				
4"				

Ordering data

Ordering information – Modular product system				
	Piston diameter	Mode of operation	Part no.	Type
	1 1/2"	Double-acting	8161111	DSNB-N-...-1 1/2"- -
	2"		8161112	DSNB-N-...-2"- -
	2 1/2"		8161113	DSNB-N-...-2 1/2"- -
	3 1/4"		8161114	DSNB-N-...-3 1/4"- -
	4"		8161115	DSNB-N-...-4"- -
	5"		8161116	DSNB-N-...-5"- -
	6"		8161117	DSNB-N-...-6"- -

Peripherals

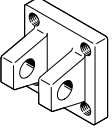
Peripherals overview



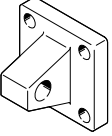
Accessories			→ Page/Internet
Type/order code	Description		
[1] Standards-based cylinder, inch DSNB	Conforms to standard NFPA/T3.6.7		
[2] One-way flow control valve GRLA-...	For speed regulation		48
[3] Push-in fitting QB-.../QBL-...	For connecting tubing with standard O.D.		48
[4] Swivel mounting DAMC-C7-...-D	For rod eye		46
[5] Swivel mounting DAMC-C7-...-C	For rod clevis		46
[6] Mounting kit SAMH-FC-SH	For proximity switch SDBF-FCS		47
[7] Proximity switch SDBF-FCS-1L...	Can be integrated in mounting kit SAMH-FC-SH		47
[8] Proximity switch SDBF-FDS-1L...	Can be integrated into the cylinder profile		47
[9] Threaded bolt DARA-U...-M	For rod clevis, rod eye and self-aligning rod coupler		46
[10] Flexo coupling DARP-C7-U...-F	For connecting to the piston rod		46
[11] Rod clevis DARC-C7-U...	Allows a swivelling movement in one plane		46
[12] Rod eye DARC-C7B-U...	Allows a swivelling movement in one plane		46

Accessories

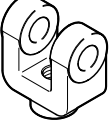
Swivel mounting DAMC-C7-...-D

	Description	Material swivel mounting	Note on materials	Part no.	Type
	For \varnothing 1 1/2" ... 6"	Cast steel	Contains paint-wetting impairment substances, RoHS-compliant	8161159	DAMC-C7-6"-D

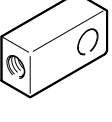
Swivel mounting DAMC-C7-...-C

	Description	Material swivel mounting	Note on materials	Part no.	Type
	For \varnothing 1 1/2" ... 6"	Painted cast steel	Contains paint-wetting impairment substances, RoHS-compliant	8161160	DAMC-C7-6"-C

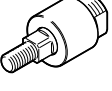
Rod clevis DARC-C7-U...

	Description	Material rod clevis	Note on materials	Part no.	Type
	For \varnothing 6"	Painted cast steel	Contains paint-wetting impairment substances, RoHS-compliant	8161122	DARC-C7-U112
	For \varnothing 1 1/2" ... 2 1/2"			8117048	DARC-C7-U716
	For \varnothing 1 1/2" ... 5"			8161118	DARC-C7-U12
	For \varnothing 1 1/2" ... 5"			8161119	DARC-C7-U78
	For \varnothing 3 1/4" ... 6"			8117049	DARC-C7-U34
	For \varnothing 3 1/4" ... 6"			8161121	DARC-C7-U114
				8161120	DARC-C7-U1


Rod eye DARC-C7B-U...

	Description	Material rod eye	Note on materials	Part no.	Type
	For \varnothing 6"	Nickel-plated steel	Contains paint-wetting impairment substances, RoHS-compliant	8161164	DARC-C7B-U112
	For \varnothing 1 1/2" ... 2 1/2"			8161161	DARC-C7B-U12
	For \varnothing 3 1/4" ... 6"			8161163	DARC-C7B-U114
	For \varnothing 3 1/4" ... 6"			8161162	DARC-C7B-U1

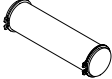
Self-aligning rod coupler DARP-C7-U...-F

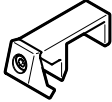
	Description	Material housing	Note on materials	Part no.	Type
	For \varnothing 6"	Steel, oxidised	Contains paint-wetting impairment substances, RoHS-compliant	8161158	DARP-C7-U112-F
	For \varnothing 1 1/2" ... 2 1/2"			8161154	DARP-C7-U12-F
	For \varnothing 1 1/2" ... 5"			8161155	DARP-C7-U78-F
	For \varnothing 3 1/4" ... 6"			8161156	DARP-C7-U1-F
	For \varnothing 3 1/4" ... 6"			8161157	DARP-C7-U114-F

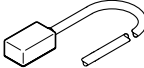
Threaded bolt DARA-U...-M

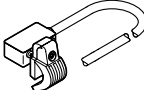
	Description	Material threaded bolt	Note on materials	Part no.	Type
	For \varnothing 1 1/2" ... 2 1/2"	Steel	Contains paint-wetting impairment substances, RoHS-compliant	8148953	DARA-U716-M
	For \varnothing 1 1/2" ... 5"			8148954	DARA-U34-M
	For \varnothing 3 1/4" ... 6"			8161165	DARA-U1-M
	For \varnothing 3 1/4" ... 6"			8161166	DARA-U114-M

Accessories


Pivot pin DADG-B-C7-...-AS						
	Description	Material bolt	Note on materials	Part no.	Type	
	For Ø 6"	Steel	Contains paint-wetting impairment substances, RoHS-compliant	8161171	DADG-B-C7-1"-AS	
	For Ø 1 1/2" ... 2 1/2"			8148951	DADG-B-C7-1/2"-AS	
	For Ø 3 1/4" ... 4"			8148952	DADG-B-C7-3/4"-AS	
	For DARC-C7-U112/ DARC-C7B-U112			8161173	DADG-B-C7-1 3/4"-AS	
	For DARC-C7-U114/ DARC-C7B-U114			8161172	DADG-B-C7-1 3/8"-AS	


Sensor holder SAMH-FC-SH						
	Description	Material mounting	Note on materials	Part no.	Type	
	For Ø 1 1/2" ... 4"	Steel	Contains paint-wetting impairment substances, RoHS-compliant	8117067	SAMH-FC-SH	


Proximity switch SDBF-FCS-1L...							
	Description	Type of mounting	Switching output	Electrical connection 1, connector system	Electrical connection 1, number of connections/cores	Part no.	Type
	For Ø 1 1/2" ... 4"	Via mounting kit	NPN	M8x1, A-coded, to EN 61076-2-104	3	8117066	SDBF-FCS-1L-NU-K-N-M8
				Open end		8117063	SDBF-FCS-1L-NU-K-9-N-LE
			PNP	M8x1, A-coded, to EN 61076-2-104		8117065	SDBF-FCS-1L-PU-K-N-M8
				Open end		8117062	SDBF-FCS-1L-PU-K-9-N-LE

Proximity switch SDBF-FDS-1L...							
	Description	Type of mounting	Switching output	Electrical connection 1, connector system	Electrical connection 1, number of connections/cores	Part no.	Type
	For Ø 5", 6"	Clamped	NPN	M12x1, A-coded to EN 61076-2-101	3	8161170	SDBF-FDS-1L-NU-K-N-M12
				Open end		8161168	SDBF-FDS-1L-NU-K-9-N-LE
			PNP	M12x1, A-coded to EN 61076-2-101		8161169	SDBF-FDS-1L-PU-K-N-M12
				Open end		8161167	SDBF-FDS-1L-PU-K-9-N-LE


Accessories


One-way flow control valve GRLA-...					
	Description	Pneumatic connection, port 2	Part no.	Type	
	For Ø 1 1/2" ... 6"	1/8 NPT	534657	GRLA-1/8-QB-3/16-U	
			534658	GRLA-1/8-QB-1/4-U	
			534659	GRLA-1/8-QB-5/16-U	
			534656	GRLA-1/8-QB-5/32-U	
		1/4 NPT	534660	GRLA-1/4-QB-3/16-U	
			534661	GRLA-1/4-QB-1/4-U	
			534663	GRLA-1/4-QB-3/8-U	
			564843	GRLA-1/4-QB-5/32-U	
		3/8 NPT	534662	GRLA-1/4-QB-5/16-U	
			534666	GRLA-3/8-QB-3/8-U	
			534664	GRLA-3/8-QB-1/4-U	
			564844	GRLA-3/8-QB-3/16-U	
	For Ø 3 1/4" ... 6"	1/2 NPT	534667	GRLA-3/8-QB-1/2-U	
			534665	GRLA-3/8-QB-5/16-U	
			564846	GRLA-1/2-QB-3/8-U	
			564845	GRLA-1/2-QB-5/16-U	
				564847	GRLA-1/2-QB-1/2-U


One-way flow control valve QB-...					
	Description	Pneumatic connection, port 1	Part no.	Type	
	For Ø 1 1/2" ... 6"	Male thread NPT1/8-27	533274	QB-1/8-5/16-U	
			533273	QB-1/8-1/4-U	
			567773	QB-1/8-3/8-U	
			533272	QB-1/8-3/16-U	
		Male thread NPT1/4-18	533271	QB-1/8-5/32-U	
			533276	QB-1/4-1/4-U	
			533278	QB-1/4-3/8-U	
			567771	QB-1/4-1/2-U	
		Male thread NPT3/8-18	533277	QB-1/4-5/16-U	
			533275	QB-1/4-3/16-U	
			567772	QB-1/4-5/32-U	
			533280	QB-3/8-5/16-U	
	For Ø 3 1/4" ... 6"	Male thread NPT1/2-14	533282	QB-3/8-1/2-U	
			533279	QB-3/8-1/4-U	
			533281	QB-3/8-3/8-U	
			533284	QB-1/2-1/2-U	
				533283	QB-1/2-3/8-U
				567770	QB-1/2-5/16-U


One-way flow control valve QBL-...				
	Description	Pneumatic connection, port 1	Part no.	Type
	For Ø 1 1/2" ... 6"	Male thread 1/8 NPT	533291	QBL-1/8-3/16-U
			533293	QBL-1/8-5/16-U
			533292	QBL-1/8-1/4-U
			533290	QBL-1/8-5/32-U
		Male thread 1/4 NPT	567777	QBL-1/8-3/8-U
			533295	QBL-1/4-1/4-U
			533294	QBL-1/4-3/16-U
			567776	QBL-1/4-5/32-U
		Male thread 3/8 NPT	533297	QBL-1/4-3/8-U
			567775	QBL-1/4-1/2-U
			533296	QBL-1/4-5/16-U
			533299	QBL-3/8-5/16-U
	For Ø 3 1/4" ... 6"	Male thread 1/2 NPT	533301	QBL-3/8-1/2-U
			567763	QBL-3/8-3/16-U
			533300	QBL-3/8-3/8-U

Accessories

One-way flow control valve QBL-...				
	Description	Pneumatic connection, port 1	Part no.	Type
	For Ø 1 1/2" ... 6"	Male thread 3/8 NPT	533298	QBL-3/8-1/4-U
	For Ø 3 1/4" ... 6"	Male thread 1/2 NPT	533302	QBL-1/2-3/8-U
			533303	QBL-1/2-1/2-U

Seal set DADG-SK-C8-... for DSNB-...-N/-P				
	Description	Note on materials	Part no.	Type
	For Ø 1 1/2"	RoHS-compliant	8161123	DADG-SK-C8-1 1/2"
	For Ø 2"		8161124	DADG-SK-C8-2"
	For Ø 2 1/2"		8161125	DADG-SK-C8-2 1/2"
	For Ø 3 1/4"		8161126	DADG-SK-C8-3 1/4"
	For Ø 4"		8161127	DADG-SK-C8-4"
	For Ø 5"		8161128	DADG-SK-C8-5"
	For Ø 6"		8161129	DADG-SK-C8-6"

Seal set DADG-SK-C8-... for DSNB-...-PPV/-PPV1/-PPV2				
	Description	Note on materials	Part no.	Type
	For Ø 1 1/2"	RoHS-compliant	8161130	DADG-SK-C8-1 1/2"-PP
	For Ø 2"		8161131	DADG-SK-C8-2"-PP
	For Ø 2 1/2"		8161132	DADG-SK-C8-2 1/2"-PP
	For Ø 3 1/4"		8161133	DADG-SK-C8-3 1/4"-PP
	For Ø 4"		8161134	DADG-SK-C8-4"-PP
	For Ø 5"		8161135	DADG-SK-C8-5"-PP
	For Ø 6"		8161136	DADG-SK-C8-6"-PP

Seal set DADG-SK-C8-... for DSNB-...-PPV/-PPV1/-PPV2 and increased transverse load [R]				
	Description	Note on materials	Part no.	Type
	For Ø 1 1/2"	RoHS-compliant	8161137	DADG-SK-C8-1 1/2"-PPR
	For Ø 2"		8161138	DADG-SK-C8-2"-PPR
	For Ø 2 1/2"		8161139	DADG-SK-C8-2 1/2"-PPR
	For Ø 3 1/4"		8161140	DADG-SK-C8-3 1/4"-PPR
	For Ø 4"		8161141	DADG-SK-C8-4"-PPR
	For Ø 5"		8161142	DADG-SK-C8-5"-PPR
	For Ø 6"		8161143	DADG-SK-C8-6"-PPR