



- Compact
- Functional
- Wide range of variants
- Flexible

Drive/drive connectors

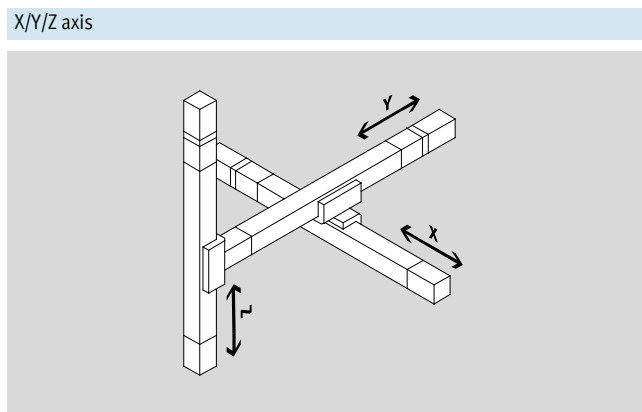
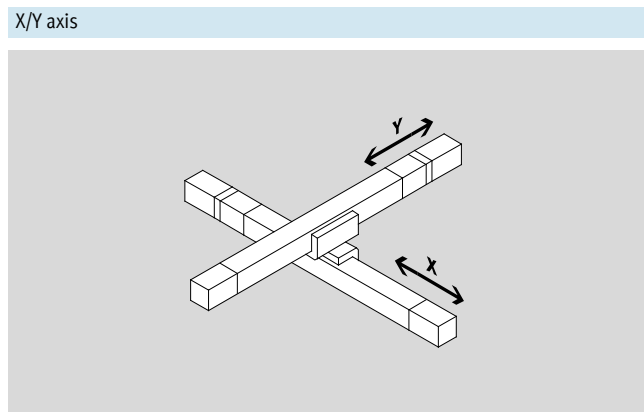
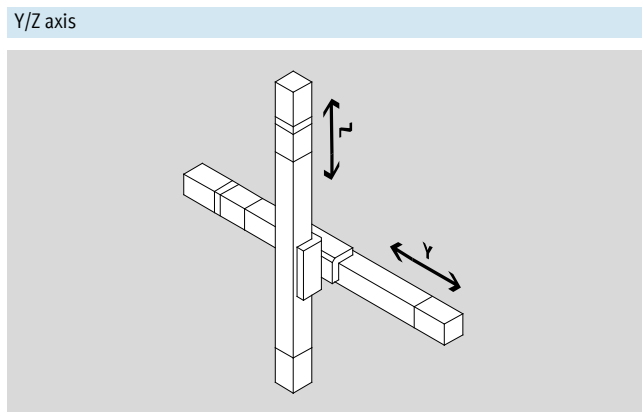
Key features

At a glance			
Compact	Functional	Flexible	Individual
<ul style="list-style-type: none"> • Drive combinations with harmonised kits • Sturdy kits for accurate and reliable drive combinations 	<ul style="list-style-type: none"> • With the numerous adapter kit variants on offer a wealth of combination options is available • With linear movements in every direction, supplemented by rotary movements, any desired application can be achieved 	<ul style="list-style-type: none"> • Combination of different Festo drives into one complete system • All the parts required for a particular connection are included in the scope of delivery 	<ul style="list-style-type: none"> • Application-oriented combinations can be selected: <ul style="list-style-type: none"> – Direct mounting – Dovetail mounting

The system

Definition of axes

To configure the drive, the movement planes are defined in y and z axes. Depending on the combination and mounting position, the movement plane and thus the axis designation (y or x) may change.



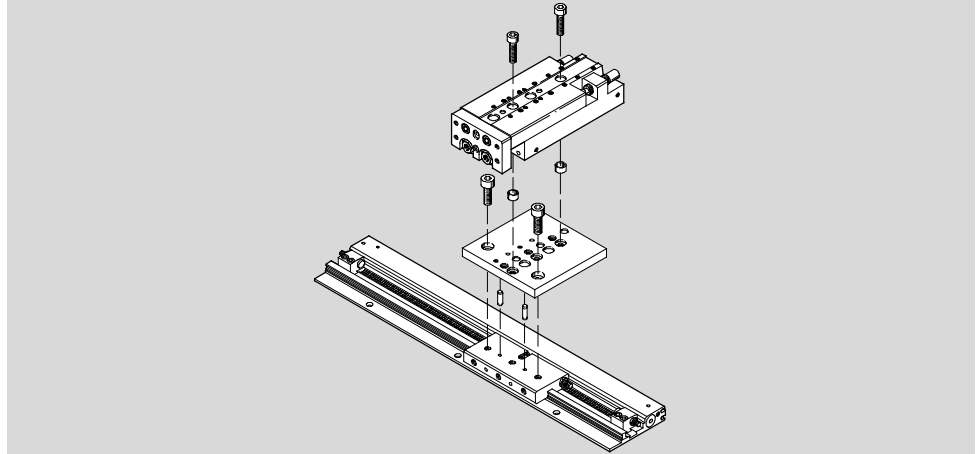
Drive/drive connectors

Key features

Types of connection

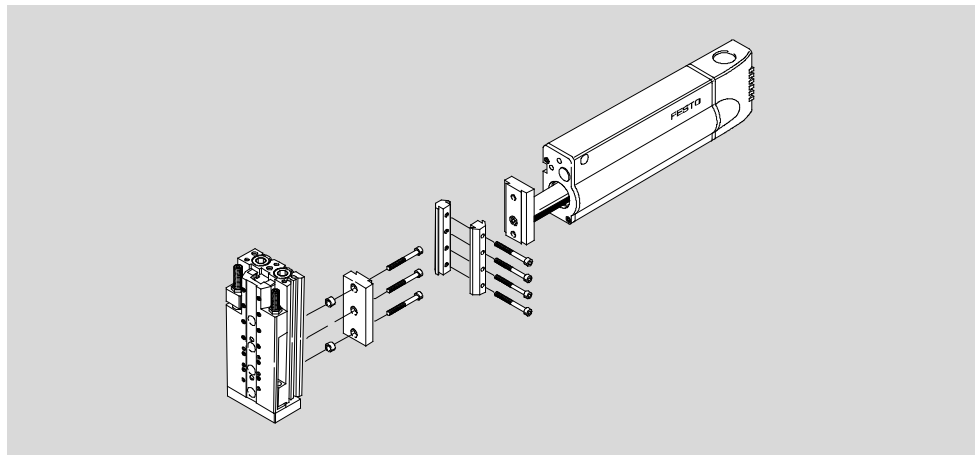
Direct mounting

Two drives are connected directly using screws and centring sleeves or via an adapter plate using screws and centring sleeves.



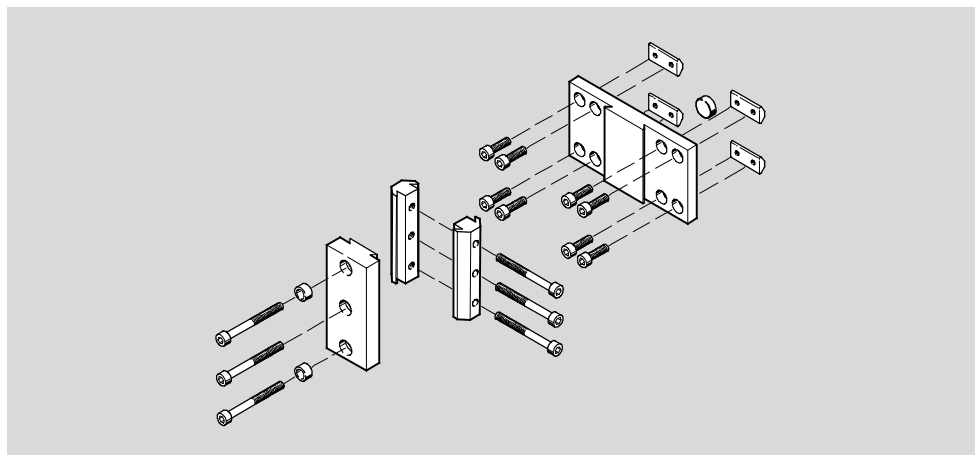
Dovetail mounting

Two drives are connected using a dovetail clamping device and possibly also an adapter plate.



Assembly

For the quick connection of two drives, the required screws, centring sleeves, centring pins, clamping components, adapter plates and slot nuts are contained in the scope of delivery of the adapter kit.

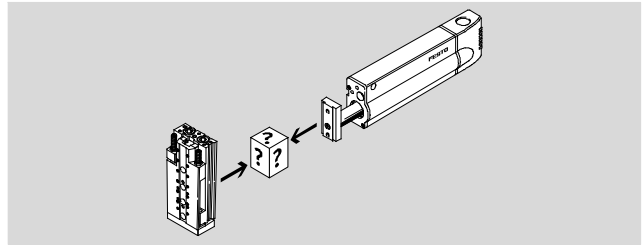


Drive/drive connectors

Selection aid

Adapter kits provide a fast, sturdy and precise connection between Festo grippers and drives.

The scope of delivery includes all necessary accessories such as screws, centring discs, sleeves or pins, and nuts.



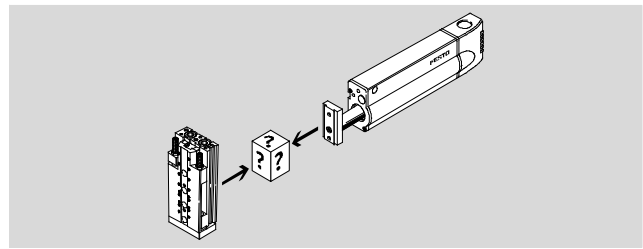
Possible combinations						
		X/Y				
		HMP, HME	DGSL	SLT, SLTE	SLG	DRQD
Z	HMP	→ 6	-	-	-	-
	DGSL	→ 8	→ 13	-	→ 19	→ 14
	SLT, SLTE	→ 9	-	→ 16	→ 20	-
	SLF	-	-	-	→ 21	-
	DRQD	→ 10	→ 14	→ 17	-	-
	ERMB	-	→ 15	→ 18	-	-
	DSL	→ 12	-	-	-	-

Drive/drive connectors

Selection aid

Adapter kits provide a fast, sturdy and precise connection between Festo grippers and drives.

The scope of delivery includes all necessary accessories such as screws, centring discs, sleeves or pins, and nuts.



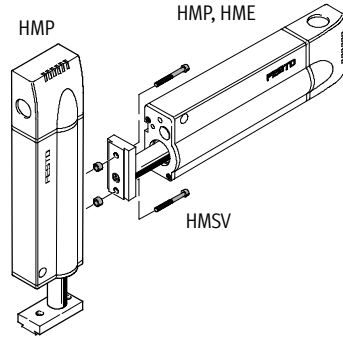
Possible combinations					
	X/Y				
	DGC, DGPL, DGE-KF	DGEA	DG...-HD	SPZ	DPZ
Z	 HMP → 22	-	-	-	-
	 DGSL → 23	-	-	-	-
	 SLT, SLTE → 24	-	-	-	-
	 DRQD → 25	→ 25	-	-	-
	 ERMB -	→ 27	-	-	-
	 DGC, DGPL, DGE, DGPIIL → 28	-	-	-	-
	 DGEA → 28	-	-	-	-
	 DFM → 29	-	-	-	-
	 SPZ -	-	-	→ 33	→ 33
	 DPZ -	-	-	→ 33	→ 33
	 DSL → 30	-	-	-	-

HMP, HME/HMP connections

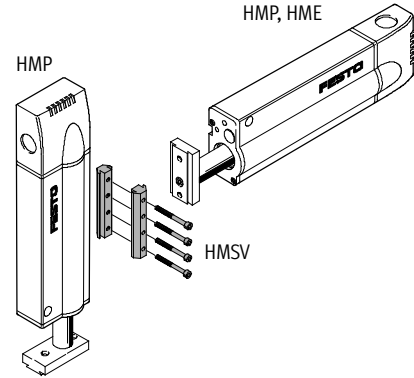
Technical data

Adapter kit HMSV

Material:
Wrought aluminium alloy, anodised
Centring sleeves: High-alloy steel
Slot nuts: Tempered steel
Free of copper, PTFE and silicone



Direct mounting

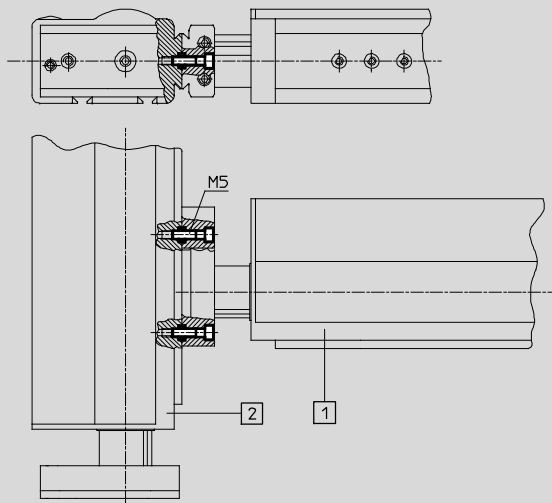


Dovetail mounting

Dimensions and ordering data

Download CAD data → www.festo.com

Direct mounting



- 1 Linear module HMP, HME²⁾
- 2 Linear module HMP

Drive 1	Drive 2	CRC ¹⁾	Part No.	Type	Part No.	Type	Required quantity	PU ⁴⁾
HMP/HME-16 ²⁾	HMP-16	2	–		–	M5x25 ³⁾	2	–
					150 927	ZBH-9 ³⁾	2	10
HMP-20	HMP-16/20				–	M5x25 ³⁾	3	–
					150 927	ZBH-9 ³⁾	3	10
HMP-25/32 HME-25 ²⁾	HMP-16/20				–	M5x30 ³⁾	3	–
				150 927	ZBH-9 ³⁾	3	10	
HMP/HME-25 ²⁾	HMP-25		177 652	HMSV-6	–		–	–
HMP-32	HMP-25/32							

- 1) Corrosion resistance class 2 as per Festo standard 940 070
Components subject to moderate corrosion stress. Externally visible parts with primarily decorative surface requirements which are in direct contact with a normal industrial environment or media such as coolants or lubricating agents.
- 2) HME: horizontal mounting position, vertical on request
- 3) The screws and centring sleeves listed are not included in the scope of delivery of the drives
- 4) Packaging unit quantity

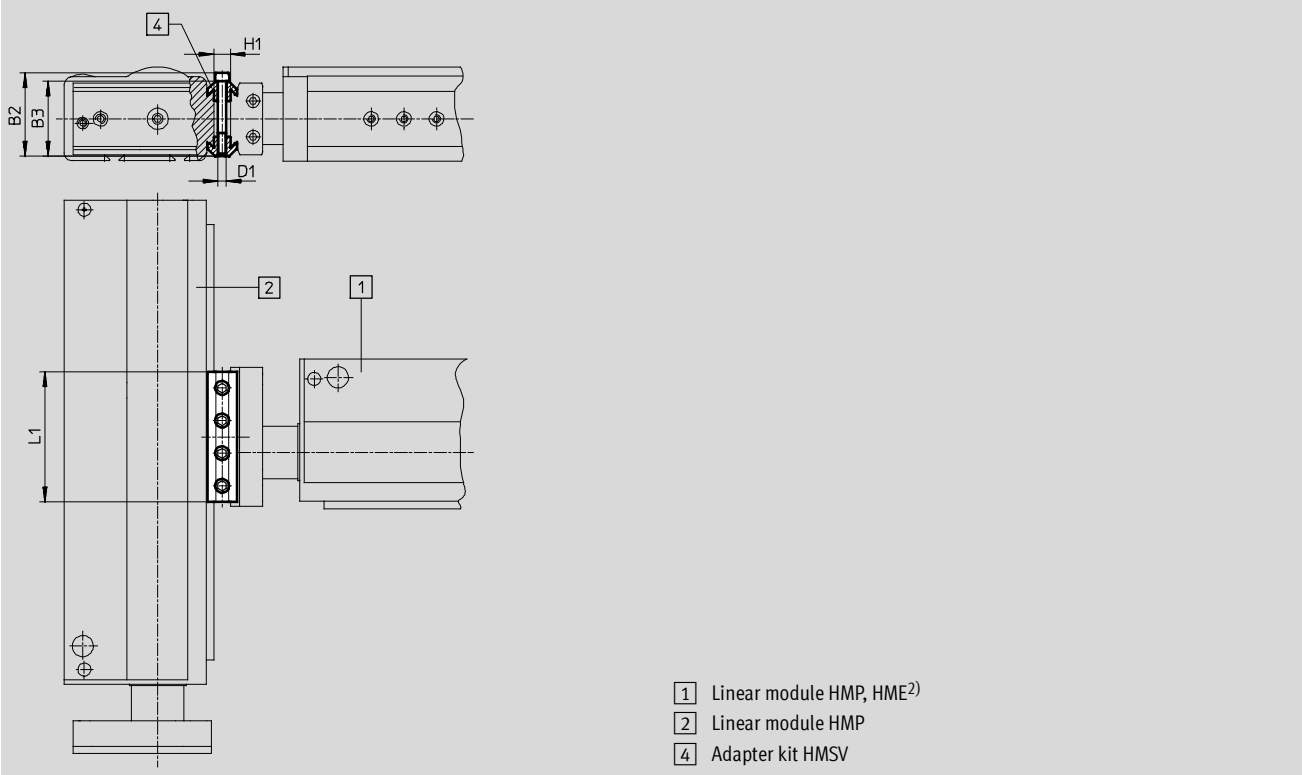
HMP, HME/HMP connections

Technical data

Dimensions and ordering data

Download CAD data → www.festo.com

Dovetail mounting



Drive 1	Drive 2	B2	B3	D1	H1	L1	CRC ¹⁾	Part No.	Type
HMP-16/20/25 HME-16/25 ²⁾	HMP-16	51	46	M5	10	80	2	177 647	HMSV-1
HMP-20 HMP/HME-25 ²⁾	HMP-20 HMP-20/25					100		177 649	HMSV-3
HMP-32	HMP-16 HMP-20/25/32					120		177 653	HMSV-7

- 1) Corrosion resistance class 2 as per Festo standard 940 070
Components subject to moderate corrosion stress. Externally visible parts with primarily decorative surface requirements which are in direct contact with a normal industrial environment or media such as coolants or lubricating agents.
- 2) HME: horizontal mounting position, vertical on request

HMP, HME/DGSL connections

Technical data

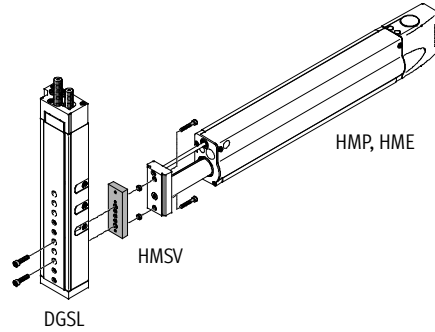
Adapter kit HMSV

Material:

Wrought aluminium alloy, anodised

Centring sleeves: High-alloy steel

Free of copper, PTFE and silicone

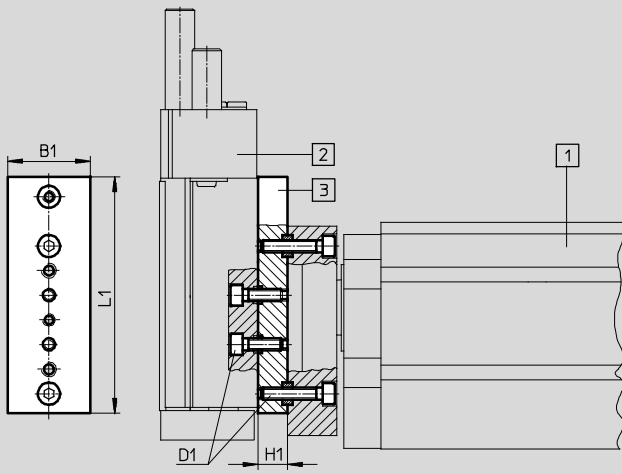


Direct mounting

Dimensions and ordering data

Download CAD data → www.festo.com

Direct mounting



- 1 Linear module HMP, HME
- 2 Mini slide DGSL
- 3 Adapter plate HMSV

Drive	Drive	B1	D1	H1	L1	CRC ¹⁾	Part No.	Type
HMP/HME-16	DGSL-16	34	M5	12	125	2	548 779	HMSV-49
HMP-20	DGSL-16/20							
HMP/HME-25	DGSL-20/25							
HMP-32	DGSL-25							

1) Corrosion resistance class 2 as per Festo standard 940 070

Components subject to moderate corrosion stress. Externally visible parts with primarily decorative surface requirements which are in direct contact with a normal industrial environment or media such as coolants or lubricating agents.

HMP, HME/SLT, SLTE connections

Technical data

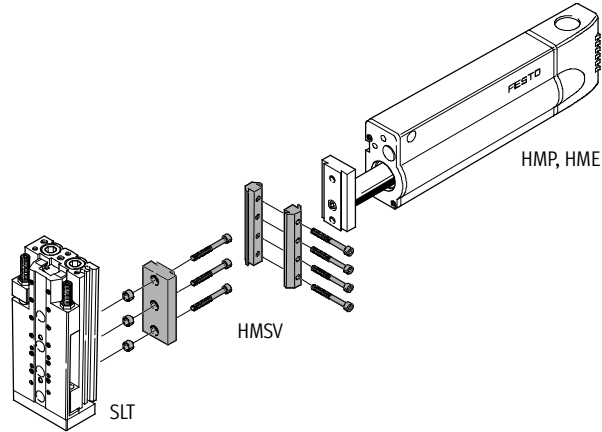
Adapter kit HMSV

Material:

Wrought aluminium alloy, anodised

Centring sleeves: High-alloy steel

Free of copper, PTFE and silicone

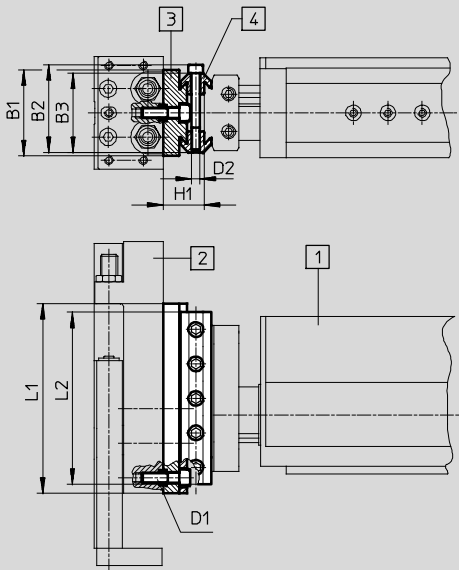


Dovetail mounting

Dimensions and ordering data

Download CAD data → www.festo.com

Dovetail mounting



- 1 Linear module HMP, HME
- 2 Mini slide SLT, SLTE
- Adapter kit HMSV, comprising:
- 3 Adapter plate
- 4 Dovetail clamp

Drive	Drive	B1	B2	B3	D1	D2	H1	L1	L2	CRC ¹⁾	Part No.	Type
HMP/HME-16	SLT-6	40	51	46	M3	M5	22	85	80	2	178 329	HMSV-34
HMP-16/20	SLT/SLTE-10				M4			110			178 330	HMSV-35
HME-16	SLT/SLTE-16	50			24		100	178 331	HMSV-36			
HMP-16/20/25		SLT-20			M6			110	178 332		HMSV-37	
HME-16/25	SLT-25	80			M8		26	100	178 332		HMSV-37	
HMP-20/25/32												SLT-20
HME-25	SLT-25	80										
HMP-25/32	SLT-25	80										
HME-25	SLT-25	80										

1) Corrosion resistance class 2 as per Festo standard 940 070

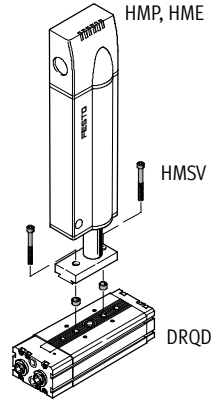
Components subject to moderate corrosion stress. Externally visible parts with primarily decorative surface requirements which are in direct contact with a normal industrial environment or media such as coolants or lubricating agents.

HMP, HME/DRQD connections

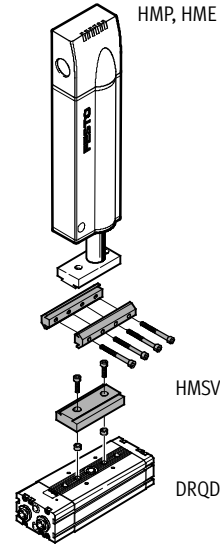
Technical data

Adapter kit HMSV

Material:
Wrought aluminium alloy, anodised
Centring sleeves: High-alloy steel
Free of copper, PTFE and silicone



Direct mounting



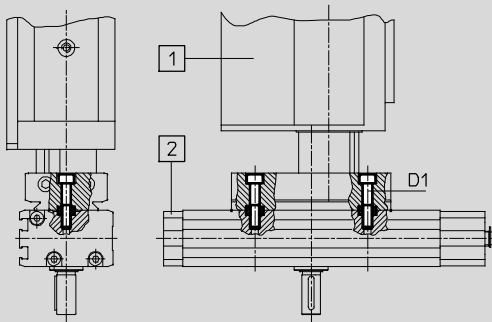
Dovetail mounting

Dimensions and ordering data

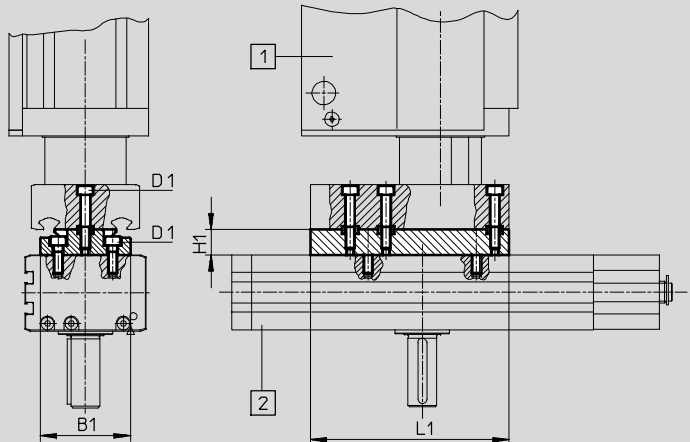
Download CAD data → www.festo.com

Direct mounting

HMSV-4/-5



HMSV-11/-13/-15/-17



- 1 Linear module HMP, HME²⁾
- 2 Semi-rotary drive DRQD

Drive	Drive	B1	D1	H1	L1	CRC ¹⁾	Part No.	Type	Part No.	Type	Required quantity	PU ⁴⁾
HMP-16/20 HME-16 ²⁾	DRQD-B-16/20	-	-	-	-	-	-	-	M5x20 ³⁾	3	-	
							-	150 927	ZBH-9 ³⁾	3	10	
HMP/HME-25 ²⁾	DRQD-B-16/20	-	M5	-	-	2	-	-	M5x25 ³⁾	3	-	
							-	150 927	ZBH-9 ³⁾	3	10	
HMP-32	DRQD-B-25	50	M5	14	133	2	177 657	HMSV-11	-	-	-	
	DRQD-B-20						177 659	HMSV-13	-	-		
	DRQD-B-25						177 661	HMSV-15	-	-		
	DRQD-B-32						177 663	HMSV-17	-	-		

- 1) Corrosion resistance class 2 as per Festo standard 940 070
Components subject to moderate corrosion stress. Externally visible parts with primarily decorative surface requirements which are in direct contact with a normal industrial environment or media such as coolants or lubricating agents.
- 2) HME: Horizontal mounting position, vertical on request
- 3) The screws and centring sleeves listed are not included in the scope of delivery of the drives
- 4) Packaging unit quantity

HMP, HME/DRQD connections

Technical data

Download CAD data → www.festo.com

Dimensions and ordering data

Dovetail mounting

HMSV-1

HMSV-10/-11/-13/-15/-17

1 Linear module HMP, HME²⁾

2 Semi-rotary drive DRQD-SD

4 Dovetail clamp

1 Linear module HMP, HME²⁾

2 Semi-rotary drive DRQD

Adapter kit HMSV, comprising:

3 Adapter plate

4 Dovetail clamp

Drive	Drive	B1	B2	B3	D1	H1	L1	L2	CRC ¹⁾	Part No.	Type
HMP-16/20/25/32 HME-16 ²⁾	DRQD-B-16/20 (SD32, SD42)	-	51	46	M5	10	80	-	2	177 647	HMSV-1
HMP-16/20/25 HME-16/25 ²⁾	DRQD-B-16/20	40	51	46	M5	22	85	80	2	177 656	HMSV-10
HMP/HME-25 ²⁾	DRQD-B-25	50				110	100	177 657		HMSV-11	
HMP-32	DRQD-B-20					177 649	HMSV-3				
	DRQD-B-25					177 659	HMSV-13				
	DRQD-B-32	177 649	HMSV-3								
						24	133	120		177 661	HMSV-15
										177 653	HMSV-7
										177 663	HMSV-17
										177 653	HMSV-7

1) Corrosion resistance class 2 as per Festo standard 940 070
Components subject to moderate corrosion stress. Externally visible parts with primarily decorative surface requirements which are in direct contact with a normal industrial environment or media such as coolants or lubricating agents.

2) HME: Horizontal mounting position, vertical on request

HMP, HME/DSL connections

Technical data

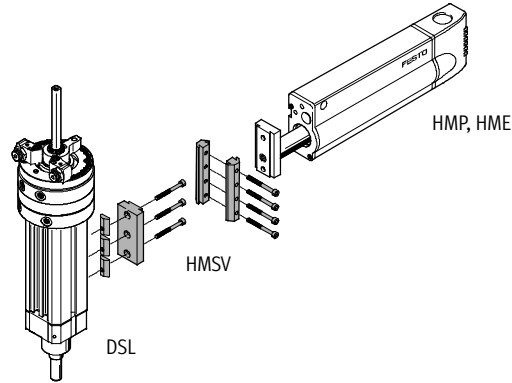
Adapter kit HMSV

Material:

Wrought aluminium alloy, anodised

Slot nuts: Tempered steel

Free of copper, PTFE and silicone

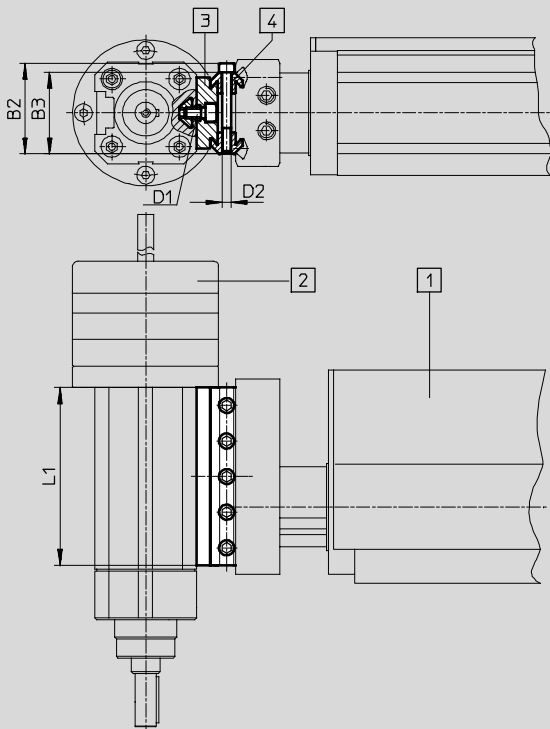


Dovetail mounting

Dimensions and ordering data

Download CAD data → www.festo.com

Dovetail mounting



- 1 Linear module HMP, HME
 - 2 Swivel/linear unit DSL
- Adapter kit HMSV, comprising:
- 3 Adapter plate
 - 4 Dovetail clamp

Drive	Drive	B2	B3	D1	D2	L1	CRC ¹⁾	Part No.	Type
HMP-16/20/25	DSL-16	51	46	M5	M5	80	2	177 649	HMSV-3
HME-16/25								163 214	HAPB-15
HMP-20/25	DSL-20			M6		177 649		HMSV-3	
HME-25	DSL-25					163 215		HAPB-16	
HMP/HME-25	DSL-25								
HMP-32	DSL-20/25/32								

1) Corrosion resistance class 2 as per Festo standard 940 070

Components subject to moderate corrosion stress. Externally visible parts with primarily decorative surface requirements which are in direct contact with a normal industrial environment or media such as coolants or lubricating agents.

DGSL/DGSL connections

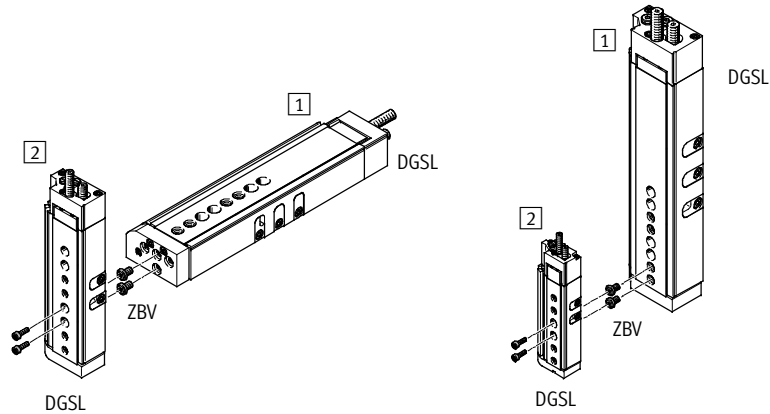
Technical data

Adapter kit

Material:

Centring sleeves and connecting sleeves: High-alloy steel

Free of copper, PTFE and silicone



Direct mounting

Direct mounting

Ordering data		Download CAD data → www.festo.com				
Drive 1	Drive 2	CRC ¹⁾	Part No.	Type	Required quantity	PU ⁴⁾
DGSL-4	DGSL-4	2	–	M3x7 ²⁾	2	–
			189 652	ZBH-5 ³⁾	2	10
DGSL-6	DGSL-4/-6		–	M3x10 ²⁾	2	–
			189 652	ZBH-5 ³⁾	2	10
DGSL-8/-10	DGSL-4/-6		548 802	ZBV-M4-7	1	3
DGSL-8/-10	DGSL-8		–	M4x12 ²⁾	2	–
			186 717	ZBH-7 ³⁾	2	10
DGSL-10	DGSL-10		–	M4x14 ²⁾	3	–
			186 717	ZBH-7 ³⁾	3	10
DGSL-12/-16	DGSL-8/-10		548 803	ZBV-M5-7	1	3
DGSL-12	DGSL-12		–	M5x14 ²⁾	3	–
			186 717	ZBH-7 ³⁾	3	10
DGSL-16	DGSL-12		–	M5x16 ²⁾	3	–
			186 717	ZBH-7 ³⁾	3	10
DGSL-16	DGSL-16		–	M5x18 ²⁾	3	–
			186 717	ZBH-7 ³⁾	3	10
DGSL-20/-25	DGSL-12/-16	548 804	ZBV-M6-9	1	3	
DGSL-20/-25	DGSL-20	–	M6x20 ²⁾	3	–	
		150 927	ZBH-9 ³⁾	3	10	
DGSL-25	DGSL-25	–	M6x30 ²⁾	3	–	
		150 927	ZBH-9 ³⁾	3	10	

- 1) Corrosion resistance class 2 as per Festo standard 940 070
Components subject to moderate corrosion stress. Externally visible parts with primarily decorative surface requirements which are in direct contact with a normal industrial environment or media such as coolants or lubricating agents.
- 2) The screws listed are not included in the scope of delivery of the drives
- 3) The centring sleeves are included in the scope of delivery of the drives
- 4) Packaging unit quantity

DGSL/DRQD connections

Technical data

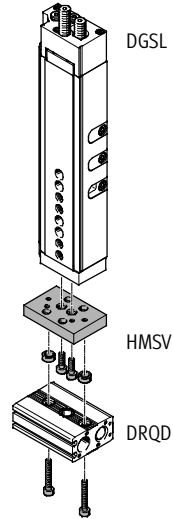
Adapter kit HMSV

Material:

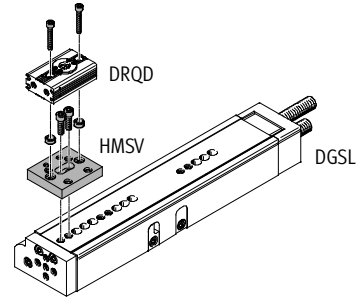
Wrought aluminium alloy, anodised

Centring sleeves: High-alloy steel

Free of copper, PTFE and silicone



Direct mounting on yoke plate

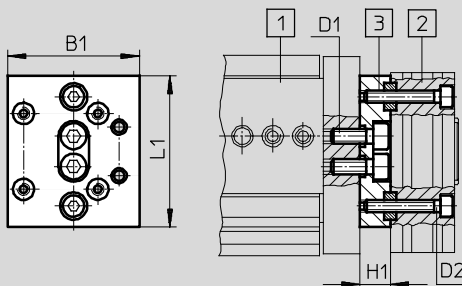


Direct mounting on slide

Dimensions and ordering data

Download CAD data → www.festo.com

Direct mounting



- 1 Mini slide DGSL
- 2 Semi-rotary drive DRQD
- 3 Adapter plate HMSV

Drive	Drive	B1	D1	D2	H1	L1	CRC ¹⁾	Part No.	Type
Direct mounting on yoke plate									
DGSL-4/6	DRQD-6	17	M3	M3	8	40	2	548 783	HMSV-53
DGSL-8/10	DRQD-8/12	33	M4	M3	9	50	2	548 784	HMSV-54
DGSL-12/16	DRQD-8/12	43,5	M6	M4	10			548 785	HMSV-55
DGSL-20/25	DRQD-B-16/20	73			12	100	548 786	HMSV-56	
Direct mounting on slide									
DGSL-8/10	DRQD-8/12	33	M4	M3	9	50	2	548 784	HMSV-54
DGSL-12/16	DRQD-8/12	43.5	M6	M4	10			548 785	HMSV-55
DGSL-20/25	DRQD-B-16/20	73			12	100	548 786	HMSV-56	

1) Corrosion resistance class 2 as per Festo standard 940 070

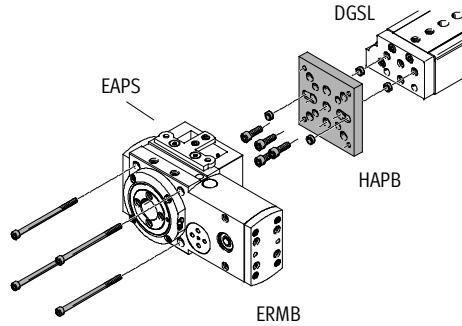
Components subject to moderate corrosion stress. Externally visible parts with primarily decorative surface requirements which are in direct contact with a normal industrial environment or media such as coolants or lubricating agents.

DGSL/ERMB connections

Technical data

Adapter kit HAPB

Material:
Wrought aluminium alloy, anodised
Centring sleeves: High-alloy steel
Free of copper, PTFE and silicone

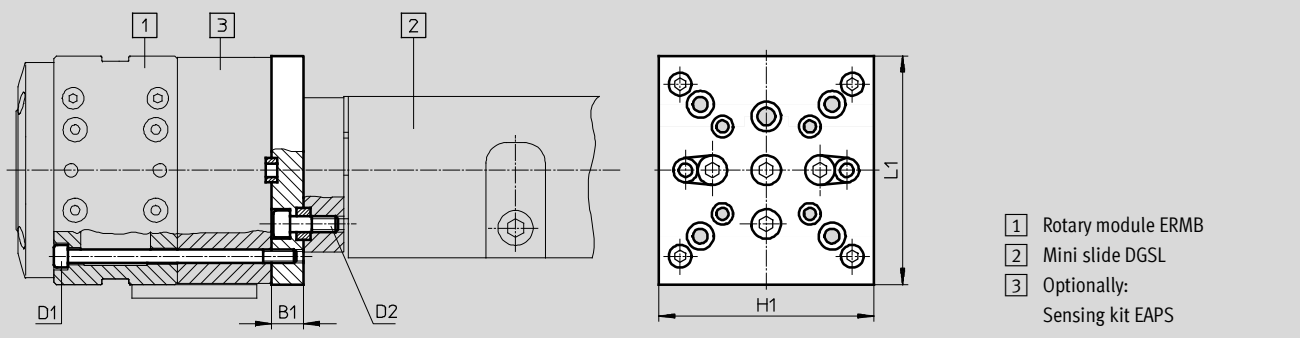


Direct mounting

Dimensions and ordering data

Download CAD data → www.festo.com

Direct mounting



- 1 Rotary module ERMB
- 2 Mini slide DGSL
- 3 Optionally:
Sensing kit EAPS

Drive	Drive	Sensing kit	B1	D1	D2	H1	L1	CRC ¹⁾	Part No.	Type		
DGSL-16	ERMB-20	EAPS-...-20	17	M4	M5	50	72	2	558 306	HAPB-38		
DGSL-20/25					M6							
DGSL-20/25	ERMB-25	EAPS-...-25	12	M5	M6	80	85				558 307	HAPB-39
DGSL-25	ERMB-32	EAPS-...-32	12	M5	M6	100	115				558 308	HAPB-40

1) Corrosion resistance class 2 as per Festo standard 940 070
Components subject to moderate corrosion stress. Externally visible parts with primarily decorative surface requirements which are in direct contact with a normal industrial environment or media such as coolants or lubricating agents.

SLT, SLTE/SLT, SLTE connections

Technical data

Adapter kit

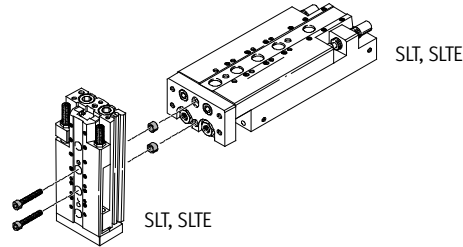
(user configured)

Material:

to DIN 912

Centring sleeves: High-alloy steel

Free of copper, PTFE and silicone

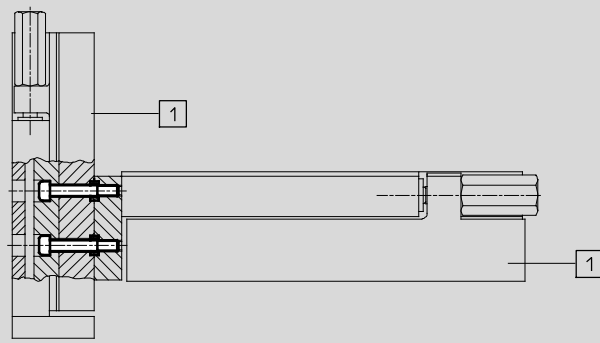


Direct mounting

Dimensions and ordering data

Download CAD data → www.festo.com

Direct mounting



1 Mini slide SLT, SLTE

Drive	Drive	Part No.	Type	Required quantity	PU ²⁾
SLT/SLTE-10	SLT-6	–	M3x20 DIN 912 ¹⁾	2	–
		189 652	ZBH-5	2	10
SLT/SLTE-16	SLT/SLTE-10	–	M4x25 DIN 912 ¹⁾	2	–
		186 717	ZBH-7	2	10
SLT-20	SLT/SLTE-16	–	M5x30 DIN 912 ¹⁾	2	–
		150 927	ZBH-9	2	10
SLT-25	SLT-20	–	M6x40 DIN 912 ¹⁾	2	–
		189 653	ZBH-12	2	10

1) The screws listed are not included in the scope of delivery of the drives

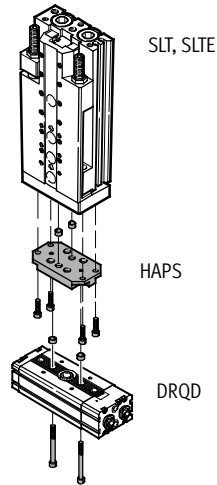
2) Packaging unit quantity

SLT, SLTE/DRQD connections

Technical data

Adapter kit HAPS

Material:
Wrought aluminium alloy, anodised
Centring sleeves: High-alloy steel
Free of copper, PTFE and silicone

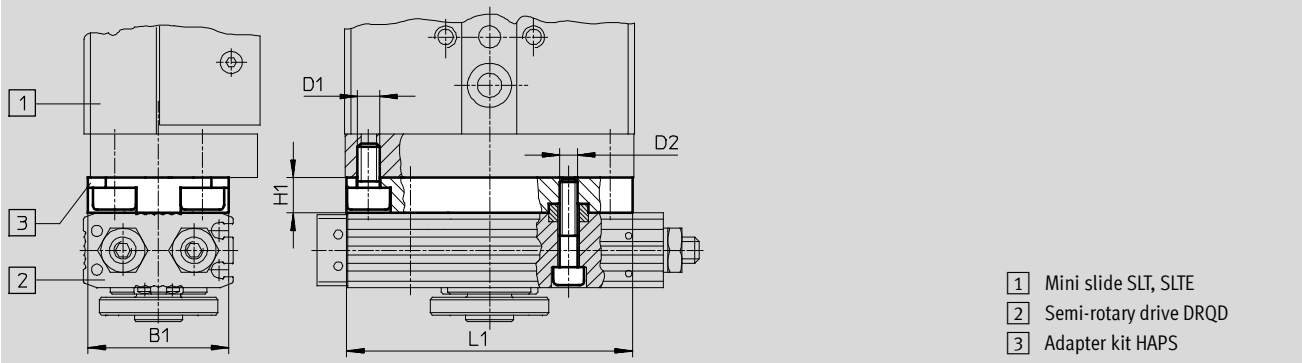


Direct mounting

Dimensions and ordering data

Download CAD data → www.festo.com

Direct mounting



Drive	Drive	B1	D1	D2	H1	L1	CRC ¹⁾	Part No.	Type
SLT-6	DRQD-6	16	M3	M4	8	36	2	178 447	HAPS-1
SLT/SLTE-10	DRQD-8	28	M4			48		178 448	HAPS-2
SLT/SLTE-16	DRQD-12	32	M5	65	178 449	HAPS-3			
SLT-20	DRQD-B-16/20	44		M5	80	178 450		HAPS-4	
SLT-25	DRQD-B-16/20	58	M8	M6	12	91		178 451	HAPS-5

1) Corrosion resistance class 2 as per Festo standard 940 070
Components subject to moderate corrosion stress. Externally visible parts with primarily decorative surface requirements which are in direct contact with a normal industrial environment or media such as coolants or lubricating agents.

SLT/ERMB connections

Technical data

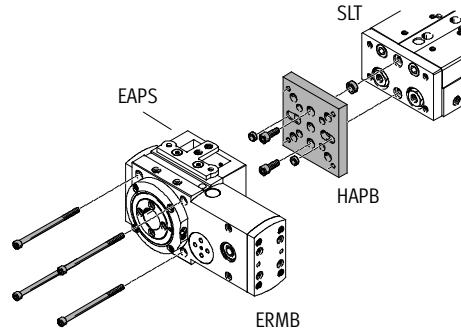
Adapter kit HAPB

Material:

Wrought aluminium alloy, anodised

Centring sleeves: High-alloy steel

Free of copper, PTFE and silicone

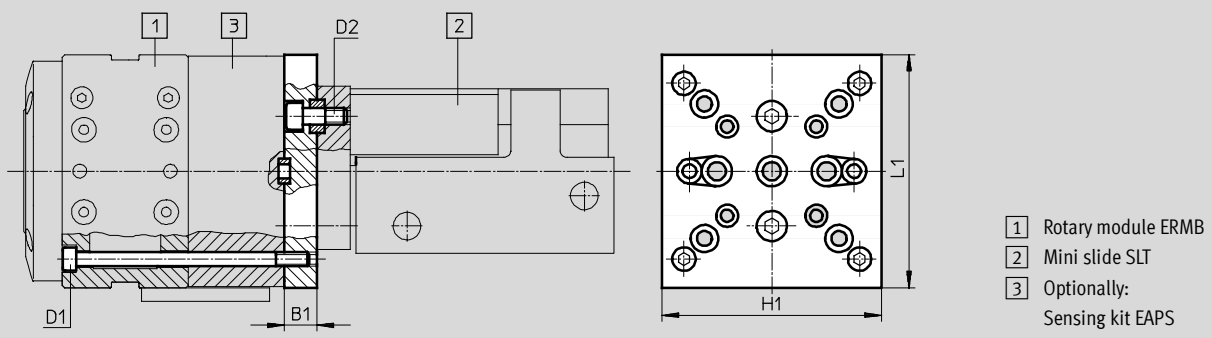


Direct mounting

Dimensions and ordering data

Download CAD data → www.festo.com

Direct mounting



Drive	Drive	Sensing kit	B1	D1	D2	H1	L1	CRC ¹⁾	Part No.	Type
SLT-20	ERMB-20	EAPS-20	17	M4	M5	50	72	2	558 306	HAPB-38
SLT-25	ERMB-25	EAPS-25	12	M5	M6	80	85		558 307	HAPB-39

1) Corrosion resistance class 2 as per Festo standard 940 070

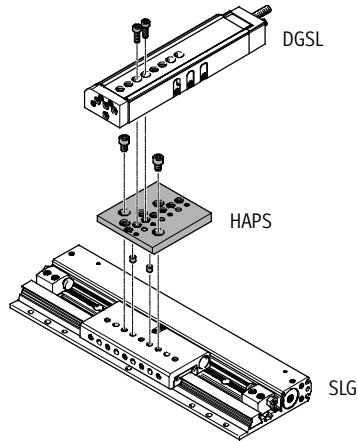
Components subject to moderate corrosion stress. Externally visible parts with primarily decorative surface requirements which are in direct contact with a normal industrial environment or media such as coolants or lubricating agents.

SLG/DGSL connections

Technical data

Adapter kit HAPS

Material:
Wrought aluminium alloy, anodised
Centring sleeves: High-alloy steel
Free of copper, PTFE and silicone

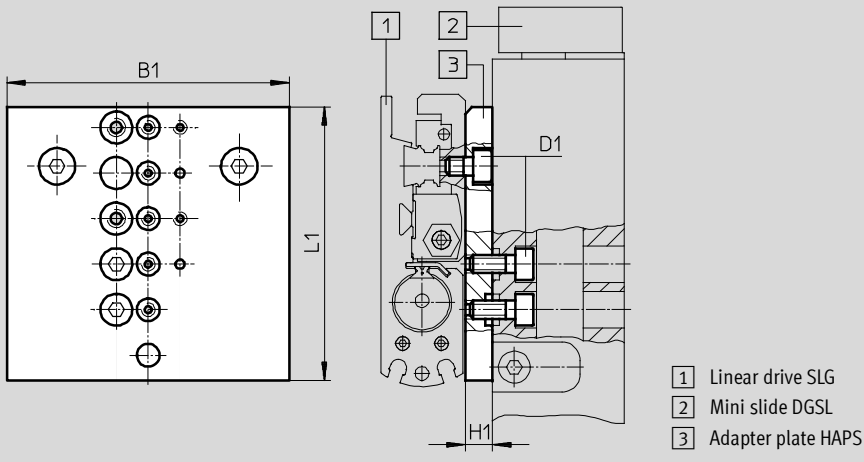


Direct mounting

Dimensions and ordering data

Download CAD data → www.festo.com

Direct mounting



Drive	Drive	B1	D1	H1	L1	CRC ¹⁾	Part No.	Type
SLG-8	DGSL-4/6	62	M4	6	60	2	189 533	HAPS-11
SLG-12	DGSL-4/6/8/10							
SLG-18	DGSL-8/10/12	65	M5	8	80		189 534	HAPS-12

1) Corrosion resistance class 2 as per Festo standard 940 070
Components subject to moderate corrosion stress. Externally visible parts with primarily decorative surface requirements which are in direct contact with a normal industrial environment or media such as coolants or lubricating agents.

SLG/SLT, SLTE connections

Technical data

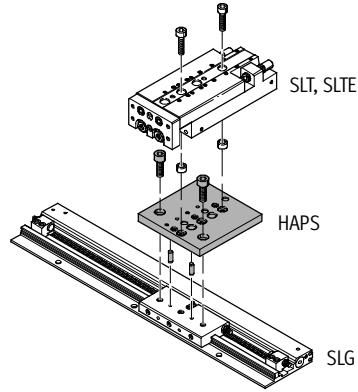
Adapter kit HAPS

Material:

Wrought aluminium alloy, anodised

Centring sleeves: High-alloy steel

Free of copper, PTFE and silicone

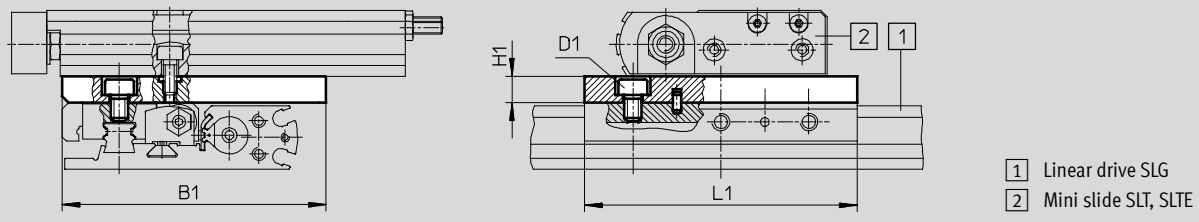


Direct mounting

Dimensions and ordering data

Download CAD data → www.festo.com

Direct mounting



Drive	Drive	B1	D1	H1	L1	CRC ¹⁾	Part No.	Type
SLG-8	SLT-6	60	M4	6	42	2	189 533	HAPS-11
SLG-12	SLT-6/10 SLTE-10							
SLG-18	SLT/SLTE-10/16	70	M5	8	65		189 534	HAPS-12

1) Corrosion resistance class 2 as per Festo standard 940 070

Components subject to moderate corrosion stress. Externally visible parts with primarily decorative surface requirements which are in direct contact with a normal industrial environment or media such as coolants or lubricating agents.

SLG/SLF connections

Technical data

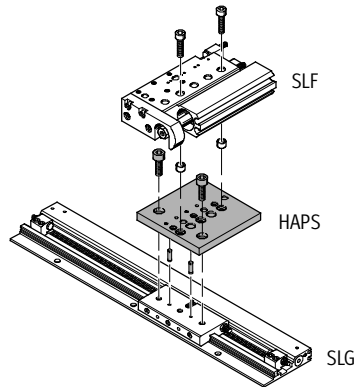
Adapter kit HAPS

Material:

Wrought aluminium alloy, anodised

Centring sleeves: High-alloy steel

Free of copper, PTFE and silicone

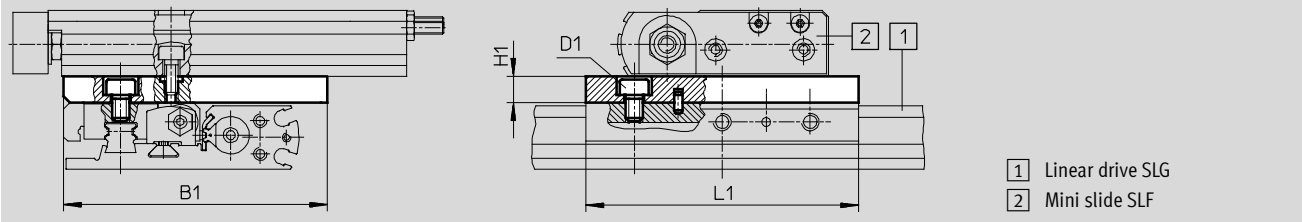


Direct mounting

Dimensions and ordering data

Download CAD data → www.festo.com

Direct mounting



Drive	Drive	B1	D1	H1	L1	CRC ¹⁾	Part No.	Type
SLG-8/12	SLF-6/10	60	M4	6	42	2	189 533	HAPS-11
SLG-12	SLF-16							
SLG-18	SLF-10/16	70	M5	8	65		189 534	HAPS-12

1) Corrosion resistance class 2 as per Festo standard 940 070
 Components subject to moderate corrosion stress. Externally visible parts with primarily decorative surface requirements which are in direct contact with a normal industrial environment or media such as coolants or lubricating agents.

DG.../HMP, HME connections

Technical data

Adapter kit HMAV-DL

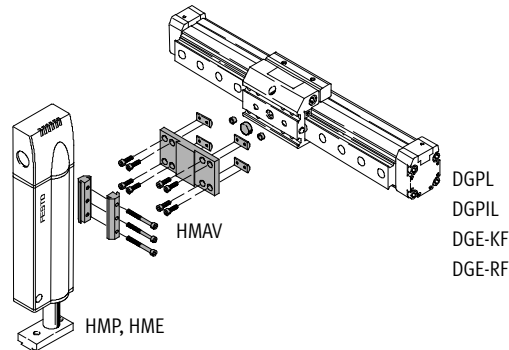
Material:

Wrought aluminium alloy, anodised

Centring sleeves: High-alloy steel

Slot nuts: Tempered steel

Free of copper, PTFE and silicone

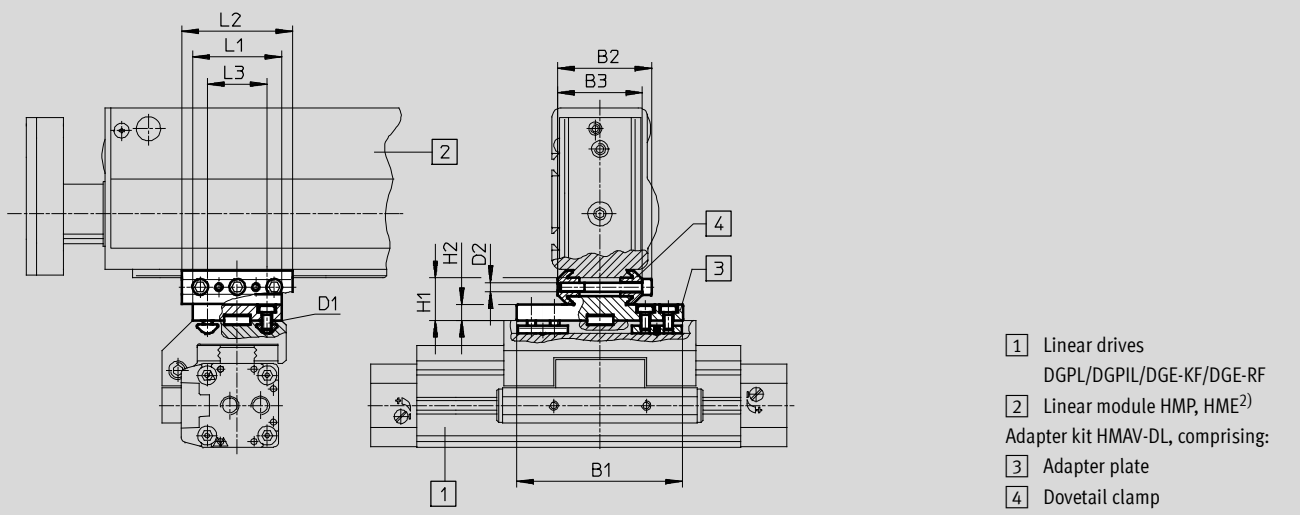


Dovetail mounting

Dimensions and ordering data

Download CAD data → www.festo.com

Dovetail mounting



- 1 Linear drives
DGPL/DGPIL/DGE-KF/DGE-RF
- 2 Linear module HMP, HME²⁾
- Adapter kit HMAV-DL, comprising:
- 3 Adapter plate
- 4 Dovetail clamp

Drive	Drive	B1	B2	B3	D1	D2	H1	H2	L1	L2	L3	CRC ¹⁾	Part No.	Type
DG...-25	HMP-16/20 HME-16 ²⁾	90	51	46	M5	M5	23	8.5	48	60	32	2	176 005	HMAV-DL25
DG...-32	HMP-16/20/25 HME-16/25 ²⁾								63.5		47		176 006	HMAV-DL32
DG...-40	HMP-20/25/32 HME-16/25 ²⁾								78		55		176 007	HMAV-DL40

1) Corrosion resistance class 2 as per Festo standard 940 070
Components subject to moderate corrosion stress. Externally visible parts with primarily decorative surface requirements which are in direct contact with a normal industrial environment or media such as coolants or lubricating agents.

2) HME: Horizontal mounting position, vertical on request

DG.../DGSL connections

Technical data

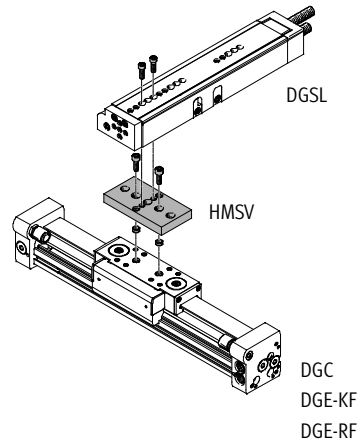
Adapter kit HMSV

Material:

Wrought aluminium alloy, anodised

Centring sleeves: High-alloy steel

Free of copper, PTFE and silicone

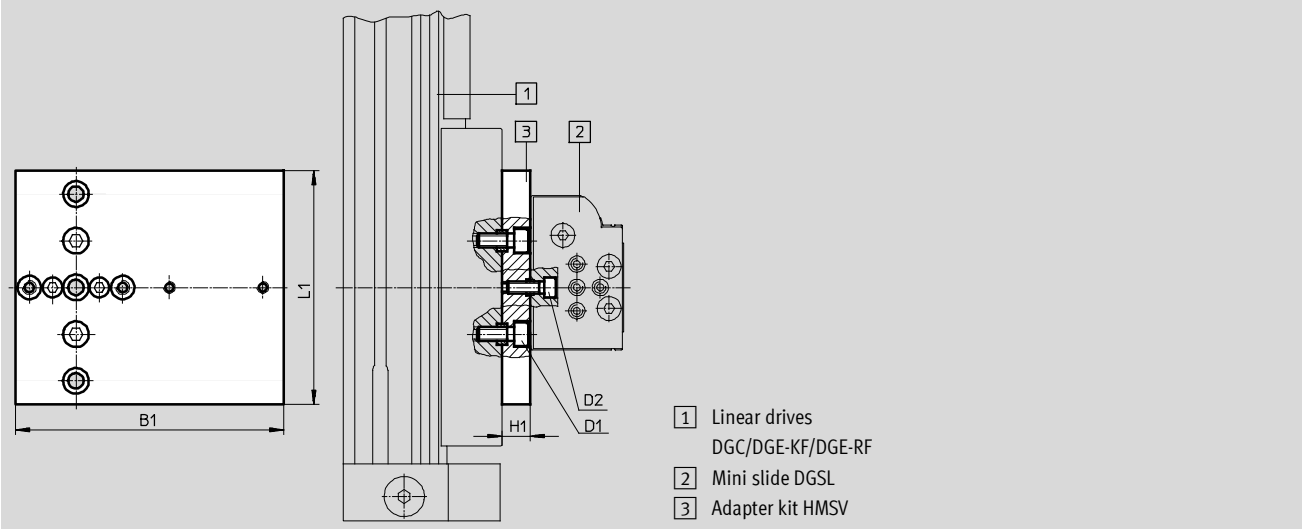


Direct mounting

Dimensions and ordering data

Download CAD data → www.festo.com

Direct mounting



Drive	Drive	B1	D1	D2	H1	L1	CRC ¹⁾	Part No.	Type
DGC-8/12	DGSL-4/6	25	M4	M3	6	52	2	548 777	HMSV-47
DGC-18	DGSL-8/10	50	M5	M4	8	60		548 778	HMSV-48
DGC-18	DGSL-12/16	40		M5	12	80		189 657	HMSV-41
DG...-25	DGSL-12/16/20/25	100	M6	M6	13	115		548 781	HMSV-51
DGC-32/40	DGSL-20/25	60				100		548 780	HMSV-50
DGE-40-KF									
DGE-40-RF									

1) Corrosion resistance class 2 as per Festo standard 940 070

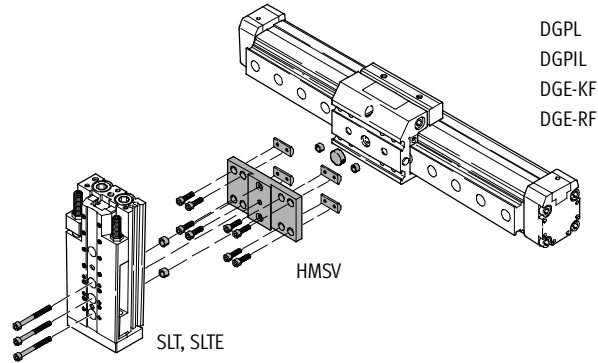
Components subject to moderate corrosion stress. Externally visible parts with primarily decorative surface requirements which are in direct contact with a normal industrial environment or media such as coolants or lubricating agents.

DG.../SLT, SLTE connections

Technical data

Adapter kit HMSV

Material:
 Wrought aluminium alloy, anodised
 Centring sleeves: High-alloy steel
 Slot nuts: Tempered steel
 Free of copper, PTFE and silicone

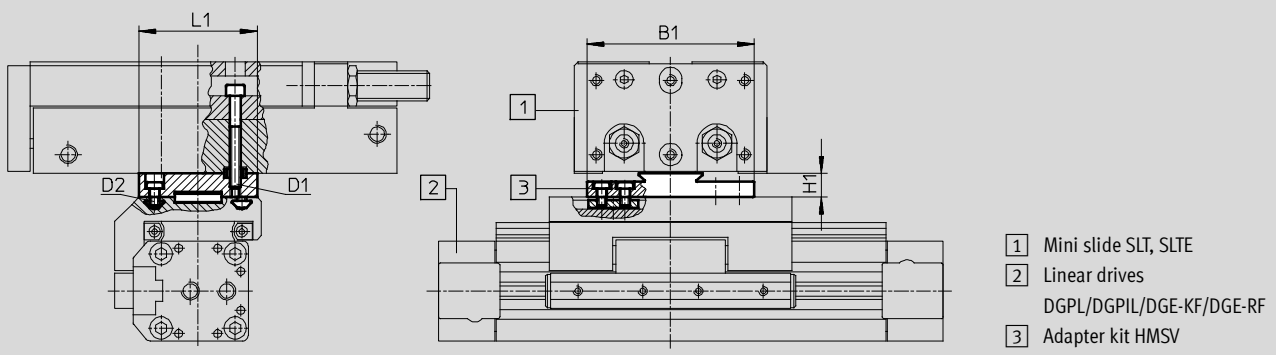


Dovetail mounting

Dimensions and ordering data

Download CAD data → www.festo.com

Dovetail mounting



- 1 Mini slide SLT, SLTE
- 2 Linear drives
DGPL/DGPIL/DGE-KF/DGE-RF
- 3 Adapter kit HMSV

Drive	Drive	B1	D1	D2	H1	L1	CRC ¹⁾	Part No.	Type
DG...-18	SLT/SLTE-10	80	M4	M5	12	40	2	189 656	HMSV-40
	SLT/SLTE-16		M5					189 657	HMSV-41
DG...-25	SLT/SLTE-16	90	M5		13	54		189 658	HMSV-42
	SLT-20							189 659	HMSV-43
DG...-32	SLT-20		M6	63.5	189 660	HMSV-44			
	SLT-25				189 661	HMSV-45			

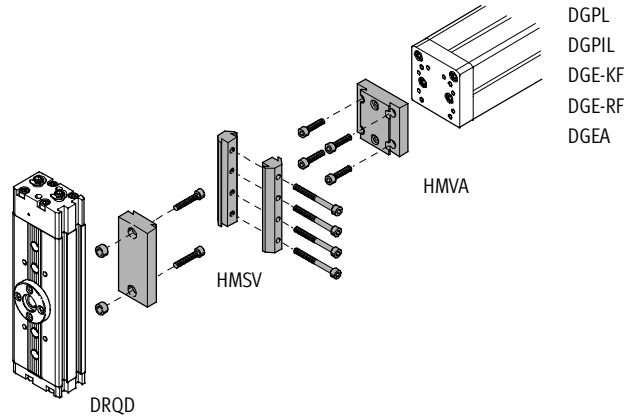
1) Corrosion resistance class 2 as per Festo standard 940 070
 Components subject to moderate corrosion stress. Externally visible parts with primarily decorative surface requirements which are in direct contact with a normal industrial environment or media such as coolants or lubricating agents.

DG.../DRQD connections

Technical data

Adapter kit HMAV, HMSV

Material:
Wrought aluminium alloy, anodised
Centring sleeves: High-alloy steel
Free of copper, PTFE and silicone

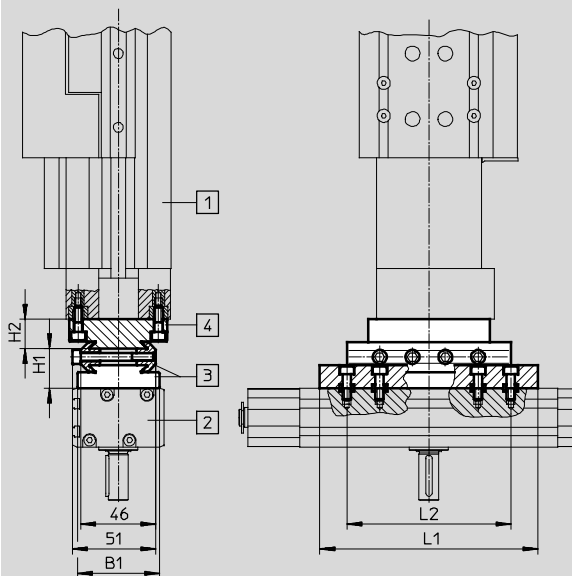


Dovetail mounting

Dimensions

Download CAD data → www.festo.com

Dovetail mounting



- 1 Linear drives
DGPL/DGPIL/DGE-KF/DGE-RF/
DGEA
- 2 Semi-rotary drive DRQD
- 3 Adapter kit HMSV
- 4 Adapter kit HMAV

DG.../DRQD connections

Technical data

FESTO

Dimensions and ordering data									
Drive	Drive	B1	H1	H2	L1	L2	CRC ¹⁾	Part No.	Type
Dovetail mounting									
DRQD-B-16/20	DGEA-18	40	22	14	85	80	2	196 788	HMVA-DLA18/25
	DG...-25/32/40							177 656	HMSV-10
DRQD-B-20	DG...-40	40	22	18	85	80		196 790	HMVA-DLA40
								177 656	HMSV-10
DRQD-B-25	DGEA-18	50	24	18	110	100		196 788	HMVA-DLA18/25
	DG...-25							177 657	HMSV-11
	DG...-40							177 649	HMSV-3
								196 790	HMVA-DLA40
DRQD-B-32	DG...-40	50	24	18	133	120		177 657	HMSV-11
								177 649	HMSV-3
							196 790	HMVA-DLA40	
							177 663	HMSV-17	
							177 653	HMSV-7	

1) Corrosion resistance class 2 as per Festo standard 940 070

Components subject to moderate corrosion stress. Externally visible parts with primarily decorative surface requirements which are in direct contact with a normal industrial environment or media such as coolants or lubricating agents.

DGEA/ERMB connections

Technical data

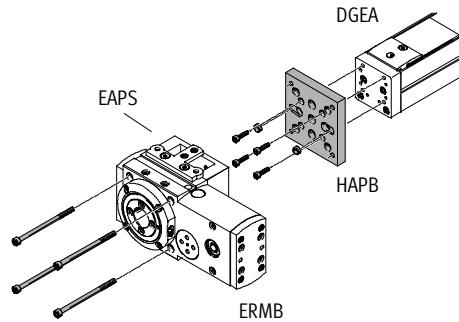
Adapter kit HAPB

Material:

Wrought aluminium alloy, anodised

Centring sleeves: High-alloy steel

Free of copper, PTFE and silicone

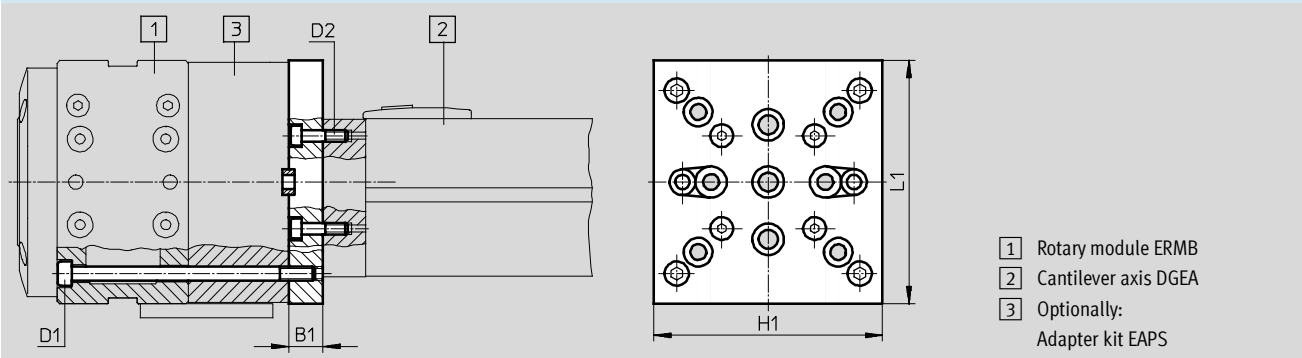


Direct mounting

Dimensions and ordering data

Download CAD data → www.festo.com

Direct mounting



Drive	Drive	Sensing kit	B1	D1	D2	H1	L1	CRC ¹⁾	Part No.	Type
DGEA-18/25	ERMB-20	EAPS-...-20	17	M4	M4	50	72	2	558 306	HAPB-38
DGEA-25	ERMB-25	EAPS-...-25	12	M5	M4	80	85		558 307	HAPB-39
DGEA-40					M5				558 308	HAPB-40
DGEA-40	ERMB-32	EAPS-...-32	12	M5	M5	100	115			

1) Corrosion resistance class 2 as per Festo standard 940 070
 Components subject to moderate corrosion stress. Externally visible parts with primarily decorative surface requirements which are in direct contact with a normal industrial environment or media such as coolants or lubricating agents.

DG.../DG... connections

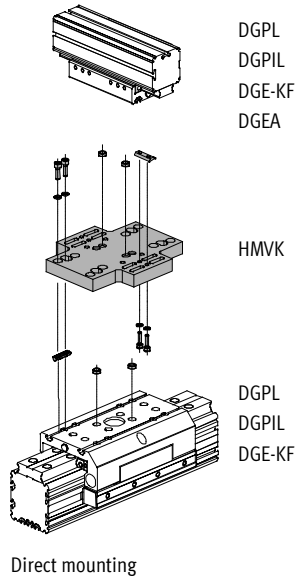
Technical data



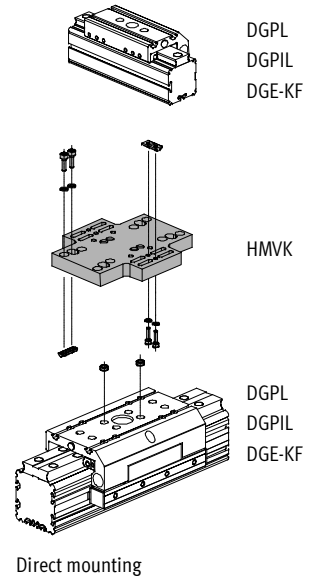
Cross connecting kit HMVK

Material:
Wrought aluminium alloy, anodised
Centring sleeves: High-alloy steel
Slot nuts: Tempered steel
Free of copper, PTFE and silicone

Slide/slide mounting



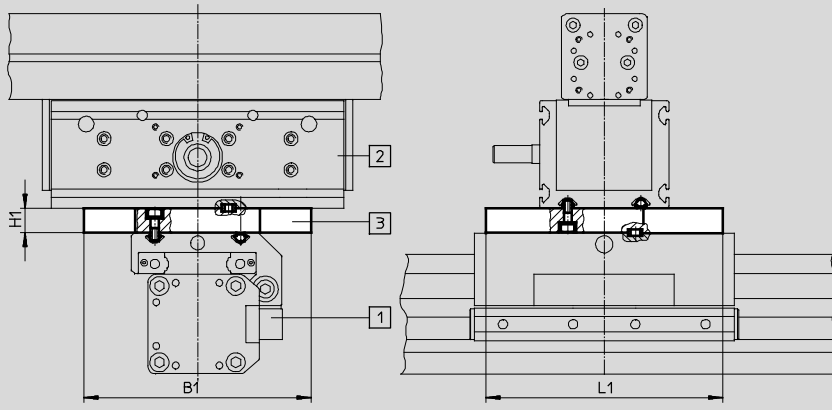
Slide/profile mounting



Dimensions and ordering data

Download CAD data → www.festo.com

Direct mounting



- 1 Linear drive DG...
- 2 Linear drive DG...
- 3 Cross connecting kit HMVK

Drive 1	Drive 2	B1	H1	L1	CRC ¹⁾	Part No.	Type
Direct slide/slide mounting							
DG...-25	DG...-18/25	105	12	105	2	196 779	HMVK-DL25-DL18/25
DG...-32	DG...-25	146	16	152		196 781	HMVK-DL32/40-DLA18-32
DG...-40	DG...-25/32					192	23
DG...-40	DGEA-18/25						
DG...-63	DG...-40						
DG...-63	DGEA-25/40						
Direct slide/profile mounting							
DG...-18	DG...-18	105	12	105	2	196 780	HMVK-DL18/25-DL-18/25
DG...-25	DG...-25	192	23	230	2	196 782	HMVK-DL32/40-DL25
DG...-32/40	DG...-25						
DG...-40	DG...-32/40	146	16	152	2	196 781	HMVK-DL-32/40-DLA18-32

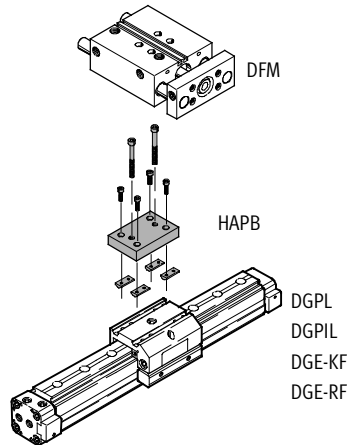
1) Corrosion resistance class 2 as per Festo standard 940 070
Components subject to moderate corrosion stress. Externally visible parts with primarily decorative surface requirements which are in direct contact with a normal industrial environment or media such as coolants or lubricating agents.

DG.../DFM connections

Technical data

Adapter kit HAPB

Material:
Wrought aluminium alloy, anodised
Slot nuts: Tempered steel
Free of copper, PTFE and silicone

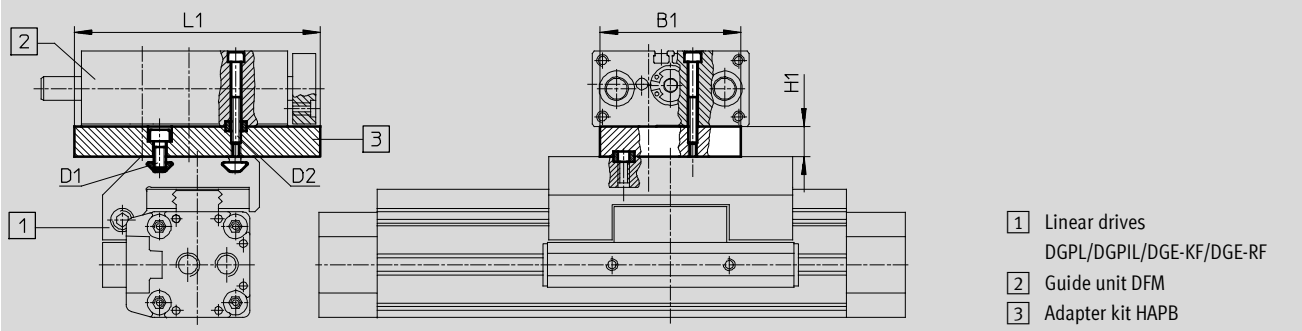


Direct mounting

Dimensions and ordering data

Download CAD data → www.festo.com

Direct mounting



- 1 Linear drives
DGPL/DGPIL/DGE-KF/DGE-RF
- 2 Guide unit DFM
- 3 Adapter kit HAPB

Drive	Drive	B1	D1	D2	H1	L1	CRC ¹⁾	Part No.	Type
DG...-25	DFM-12/16	60	M5	M4	13	105	2	192 690	HAPB-12/16
DG...-32	DFM-20/25	83		M5	15	115		192 691	HAPB-20/25
DG...-40	DFM-32/40	110		M6	15	132		192 692	HAPB-32/40

1) Corrosion resistance class 2 as per Festo standard 940 070
Components subject to moderate corrosion stress. Externally visible parts with primarily decorative surface requirements which are in direct contact with a normal industrial environment or media such as coolants or lubricating agents.

DG.../DSL connections

Technical data

Adapter kit HAPB, connecting kit HAVB

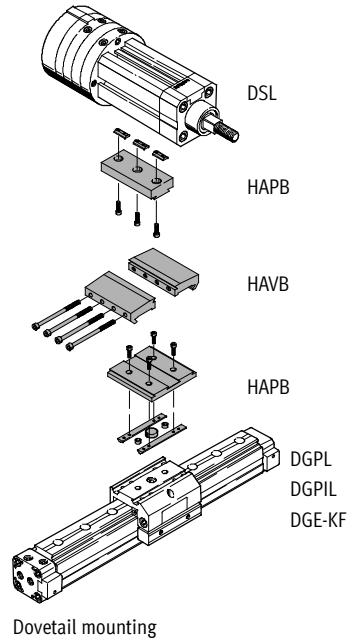
Material:

Wrought aluminium alloy, anodised

Centring sleeves: High-alloy steel

Slot nuts: Tempered steel

Free of copper, PTFE and silicone



Ordering data		Download CAD data → www.festo.com	
Drive	Drive	CRC ¹⁾	Part No. Type ²⁾
Dovetail mounting			
DG...-25	DSL-16/20	2	163 214 HAPB-15
			163 244 HAVB-8
			163 202 HAPB-3
DSL-25	163 215 HAPB-16		
	163 244 HAVB-8		
	163 202 HAPB-3		
DG...-32	DSL-20	163 214 HAPB-15	
		163 244 HAVB-8	
		163 203 HAPB-4	
	DSL-25/32	163 215 HAPB-16	
		163 244 HAVB-8	
		163 203 HAPB-4	
DG...-40	DSL-25/32	163 215 HAPB-16	
		163 244 HAVB-8	
		163 204 HAPB-5	

1) Corrosion resistance class 2 as per Festo standard 940 070

Components subject to moderate corrosion stress. Externally visible parts with primarily decorative surface requirements which are in direct contact with a normal industrial environment or media such as coolants or lubricating agents.

2) Dimensions from → 31

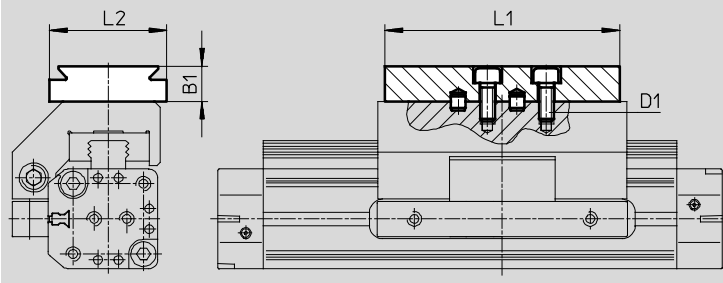
Drive/drive connectors

Technical data

Dimensions

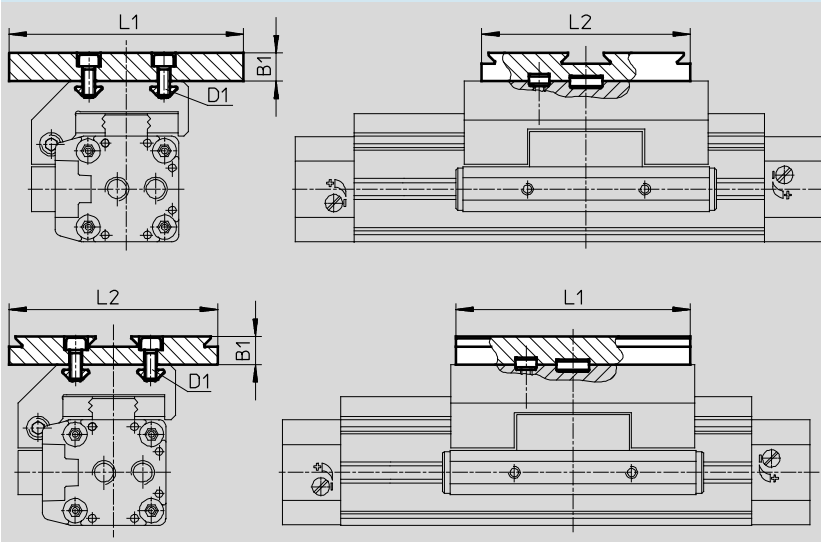
Download CAD data → www.festo.com

Dovetail mounting



Type	B1	D1	L1	L2	CRC ¹⁾
HAPB-2		M5	80		2

Dovetail mounting



Type	B1	D1	L1	L2	CRC ¹⁾
HAPB-3					2
HAPB-4	12	M5	100	89	2
HAPB-5					2

1) Corrosion resistance class 2 as per Festo standard 940 070
 Components subject to moderate corrosion stress. Externally visible parts with primarily decorative surface requirements which are in direct contact with a normal industrial environment or media such as coolants or lubricating agents.

Drive/drive connectors

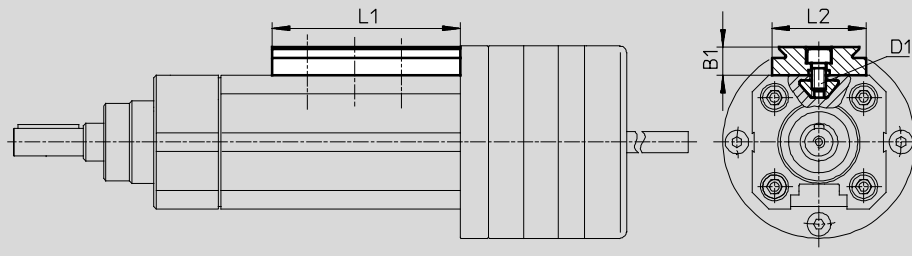
Technical data

FESTO

Dimensions

Download CAD data → www.festo.com

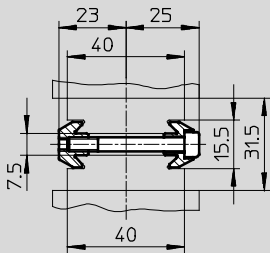
Dovetail mounting



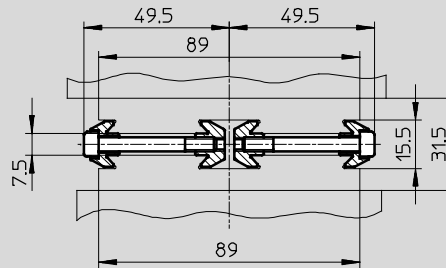
Type	B1	D1	L1	L2	CRC ¹⁾
HAPB-15	12	M5	80	40	2
HAPB-16		M6			2

Dovetail mounting

Assembly of two adapter kits with one connecting kit



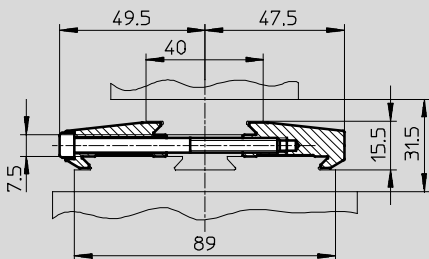
Assembly of two adapter kits with two connecting kits



Type	Length L1 ¹⁾ [mm]	CRC ²⁾
HAVB-3	60	2
HAVB-5	100	2

Dovetail mounting

Assembly of two adapter kits with one connecting kit



Type	Length L1 ¹⁾ [mm]	CRC ²⁾
HAVB-8	80	2

1) Length of the connecting kit: compare with length L1 of the adapter kits HAPB.

2) Corrosion resistance class 2 as per Festo standard 940 070

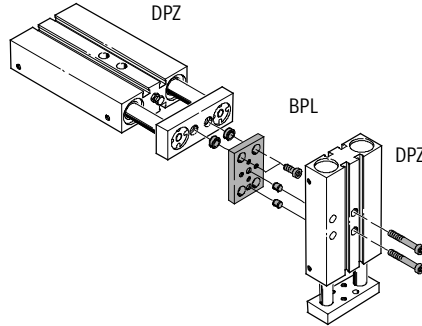
Components subject to moderate corrosion stress. Externally visible parts with primarily decorative surface requirements which are in direct contact with a normal industrial environment or media such as coolants or lubricating agents.

DPZ, SPZ/DPZ, SPZ connections

Technical data

Adapter plate BPL

Material:
Wrought aluminium alloy, anodised
Centring sleeves: High-alloy steel
Free of copper, PTFE and silicone



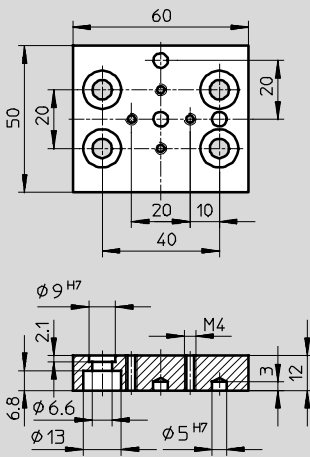
Direct mounting

Dimensions and ordering data

Download CAD data → www.festo.com

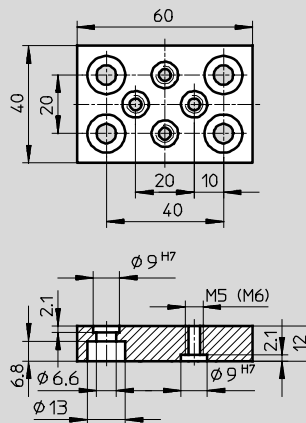
Direct mounting

BPL-1



BPL-2

BPL-3 (dimensions in brackets)



Drive	Drive	CRC ¹⁾	Part No.	Type
DPZ/SPZ-20/25/32	DPZ/SPZ-10/16	2	150 929	BPL-1
DPZ/SPZ-20/25/32	DPZ/SPZ-20		150 930	BPL-2
DPZ/SPZ-25/32	DPZ/SPZ-25		150 931	BPL-3
DPZ/SPZ-32	DPZ/SPZ-32			

1) Corrosion resistance class 2 as per Festo standard 940 070

Components subject to moderate corrosion stress. Externally visible parts with primarily decorative surface requirements which are in direct contact with a normal industrial environment or media such as coolants or lubricating agents.