

Linear actuators DFPI-NB3P

FESTO



Linear actuators DFPI-NB3P

Key features

FESTO

Function

DFPI-NB3P are closed-loop controlled standards-based linear actuators to ISO 15552. Product versions with integrated displacement encoder (DFPI-...-E-...) or fully integrated positioner (DFPI-...-C1V-...) are available. In the version DFPI-...-E-..., the potentiometric displacement encoder supplies an analogue voltage signal proportional to the piston position. This can be used for operation with an external positioner. In the version DFPI-...-C1V-..., the integrated positioner provides the positioning function. This actuator has a factory-defined safety position that is assumed if the operating voltage or the analogue setpoint value fails. The position specification is provided via an analogue

setpoint signal 4 ... 20 mA. Position feedback is provided via an analogue feedback signal from 4 ... 20 mA. The feedback signal increases reliability and simplifies diagnostics for the user. The travel speed can be influenced using the integrated flow control screws. The electrical and pneumatic connection of the actuator is via a plug socket, which also provides protection. Due to the standardised ISO 15552 mounting interfaces, there is a wide range of accessories for nearly every installation situation. The sturdy corrosion-resistant design of the DFPI-NB3P is ideal for use under harsh ambient conditions.

Innovative

- Ready-to-install, compact unit for easy installation
- Sturdy and corrosion-resistant, ideal for use under harsh ambient conditions

Flexible

- Wide range of accessories for virtually any installation situation
- Suitable for use in potentially explosive locations
- Additional contactless binary end position sensing possible with proximity sensors
- Suitable for applications with closed-loop controlled and swivel motion

Design

- Double-acting
- Sturdy tie rod design
- Optionally with integrated displacement encoder or fully integrated positioner
- Diameters 100, 125, 160, 200, 250 and 320
- Stroke lengths 40 to 990 mm
- Mounting interfaces to ISO 15552
- Robust plug socket to protect the pneumatic and electrical connections
- IP65, IP67, IP69K, NEMA4
- ATEX 2GD certification
- Corrosion resistance class 3

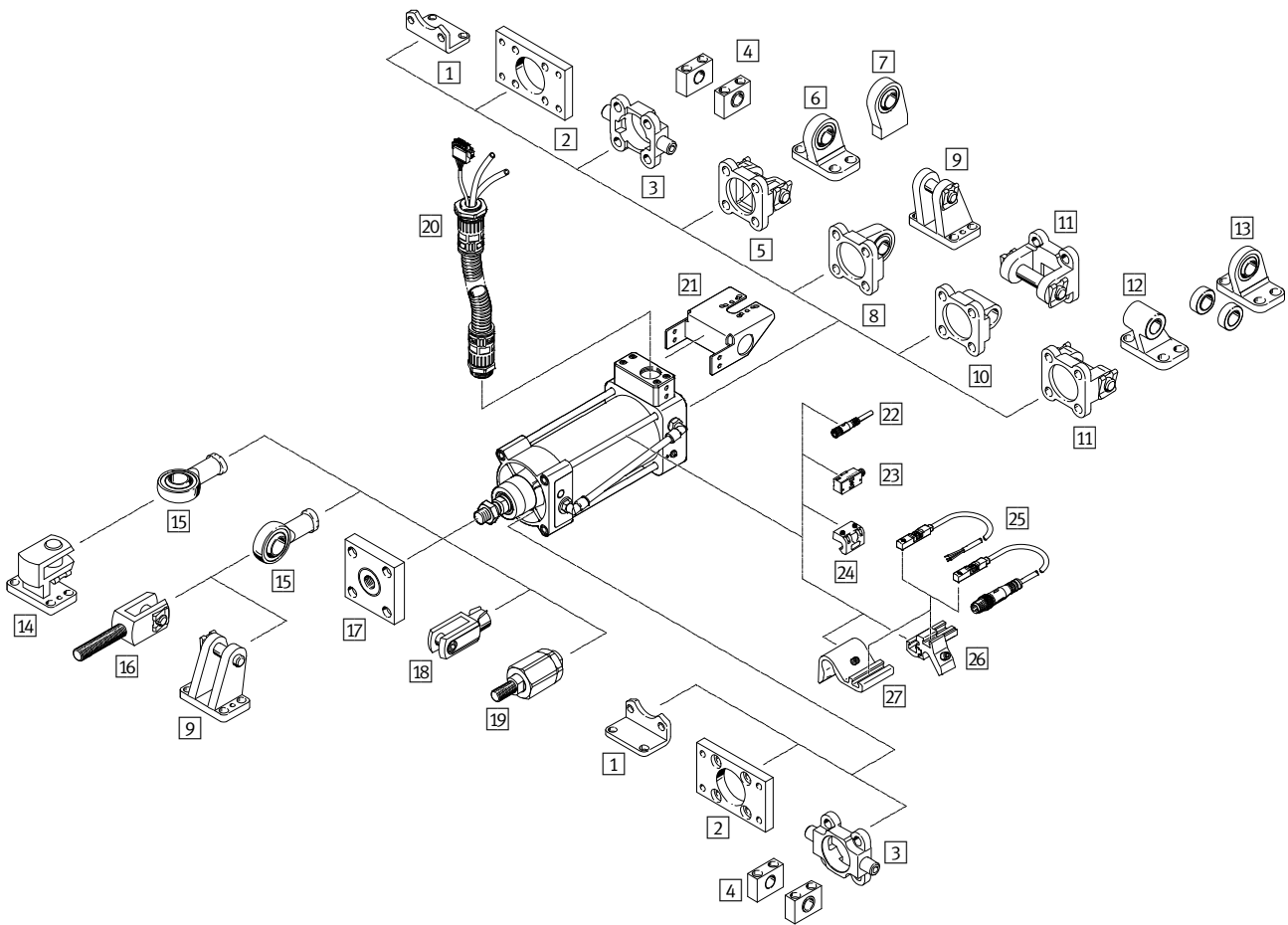
Linear actuators DFPI-NB3P

Product range overview

Product range overview						
	Type	Piston Ø [mm]	Stroke [mm]	Force [N]	Ambient temperature [°C]	→ Page/Internet
	DFPI...-E-NB3P with integrated displacement encoder	100	40 ... 990	4417 ... 46385	-20 ... +80	7
		125				
		160				
		200				
		250				
		320				
	DFPI...-C1V-NB3P with integrated positioner	100	40 ... 990	4417 ... 46385	-5 ... +50	12
		125				
		160				
		200				
		250				
		320				

Linear actuators DFPI-NB3P

Peripherals overview



Mounting components and accessories		
	Description	→ Page/Internet
1	Foot mounting HNC/CRHNC	21
	Foot mounting HNG	21
2	Flange mounting FNC/CRFNG	23
	Flange mounting FNG	23
3	Trunnion flange ZNCF/CRZNG	24
4	Trunnion support LNZG/CRLNZG	25
5	Swivel flange SNC	26
	Swivel flange SNG	26
6	Clevis foot LSNG	32

Linear actuators DFPI-NB3P

Peripherals overview

Mounting components and accessories		
	Description	→ Page/Internet
7	Clevis foot LSNSG	Weld-on, with spherical bearing 32
8	Swivel flange SNCS	With spherical bearing for end caps 28
9	Clevis foot LBG	For swivel flange SNCS 32
10	Swivel flange SNCL	For end caps 29
	Swivel flange SNGL	For end caps, corresponds to MP2 to ISO 15552 29
11	Swivel flange SNCB/SNCB-...-R3	For end caps 27
	Swivel flange SNGB	For end caps, corresponds to MP2 to ISO 15552 27
12	Clevis foot LNG/CRLNG	For swivel flange SNCB 32
	Clevis foot LN/LNG	For swivel flange SNGB 32
13	Clevis foot LSN	With spherical bearing 32
14	Right-angle clevis foot LQG	For rod eye SGS 32
15	Rod eye SGS/CRSGS	With spherical bearing 33
16	Rod clevis SGA	With male thread 33
17	Coupling piece KSG	For compensating radial deviations 33
18	Rod clevis SG/CRSG	Permits a swivelling movement of the cylinder in one plane 33
19	Self-aligning rod coupler FK/CRFK	For compensating radial and angular misalignments 33
20	Connecting cable NHSB	For electrical and pneumatic connection of linear actuator DFPI 19
21	DADG-AK-F6-A2	Mounting bracket for mounting a positioner with interface according to VDI/VDE 3845 or mounting with a hole spacing of 150 mm 30
22	Connecting cable NEBU	For proximity sensor 35
23	Proximity sensor SMPO-1-H-B	For sensing the piston position 35
24	Mounting kit SMBS	For proximity sensor SMPO-1-H-B 41 35
25	Proximity sensor SMT-8M-A	Magneto-resistive, 5 ... 30 V DC, to EU Explosion Protection Directive (ATEX) 34
	Proximity sensor CRSMT-8	Magneto-resistive, corrosion resistant, to EU Explosion Protection Directive (ATEX) 34
	Proximity sensor SDBT	Magneto-resistive, NAMUR, to EU Explosion Protection Directive (ATEX) 34
26	Mounting kit SMBZ-8- ...	For proximity sensor SME/SMT-8M, for piston \varnothing 100 34
27	Sensor bracket DASP-M4- ...	For proximity sensor SME/SMT-8M, for piston \varnothing 125, 160, 200, 250, 320 34

Linear actuators DFPI-NB3P

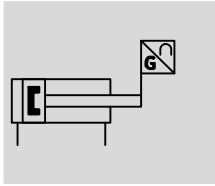
Type codes

		DFPI	-	100	-	200	-	N	D2	P	-	C1		V	-	NB3	P	-		-	A
Type																					
DFPI	Closed-loop controlled actuator for process automation																				
Piston Ø																					
100	100 mm																				
125	125 mm																				
160	160 mm																				
200	200 mm																				
250	250 mm																				
320	320 mm																				
Stroke																					
	x length [40 ... 990 mm]																				
Cushioning																					
N	No cushioning																				
Displacement encoder																					
D2	Analogue																				
Method of measurement																					
P	Potentiometer																				
Control unit																					
-	None																				
C1	Controller 1																				
Controller attachment position																					
-	Integrated																				
E	External																				
Directional control valve																					
-	None																				
V	Integrated																				
Standard																					
NB3	Based on ISO 15552																				
Connection type																					
P	Protected																				
Safety position																					
-	Advancing																				
R	Retracting																				
Additional function																					
A	4 ... 20 mA feedback																				

Linear actuators DFPI-...-E-NB3P

Technical data

Function



- | - Stroke
40 ... 990 mm

- ||| - Force
4417 ... 46385 N

- ∅ - Piston ∅
100 ... 320 mm



General technical data		
Stroke	[mm]	40 ... 990
Mode of operation		Double-acting
Based on standard		DIN ISO 15552
Cushioning		None
Mounting position		Any
Type of mounting		To ISO 15552
Design		Piston rod, cylinder barrel
Position sensing		With integrated displacement encoder
Measuring principle of displacement encoder		Potentiometer
Pneumatic connection		For tubing O.D. 8 mm
Electrical connection		3-pin, straight plug, screw terminal
Max. cable length	[m]	15

General electrical characteristic data		
Operating voltage range	[V DC]	0 ... 15
Max. operating voltage	[V DC]	15
Resistance value of displacement encoder (on the T.E.P.) dependent on the stroke length ¹⁾		
≤ 290 mm	[kΩ]	5
> 290 ... 590 mm	[kΩ]	10
> 590 ... 990 mm	[kΩ]	20
Displacement encoder		
Recommended contact current	[μA]	< 0.1
Max. short-time contact current	[mA]	10
Independent linearity	[%]	±0.04
Repeat accuracy	[mm]	±0.12
Hysteresis	[mm]	0.33

1) T.E.P. = theoretical electrical path

Linear actuators DFPI-...-E-NB3P

Technical data

Operating and environmental conditions		
Operating pressure [bar]		3 ... 8
Nominal operating pressure [bar]		6
Operating medium		Compressed air to ISO 8573-1:2010 [7:4:4]
Note on operating/pilot medium		Lubricated operation possible (in which case lubricated operation will always be required)
Ambient temperature [°C]		-20 ... +80
Storage temperature [°C]		-20 ... +80
Relative humidity [%]		5 ... 100, condensing
Degree of protection		IP65, IP67, IP69K, NEMA 4
Vibration resistance in accordance with DIN/IEC 68, Part 2-6		Tested to severity level 2
Continuous shock resistance in accordance with DIN/IEC 68, Part 2-82		Tested to severity level 2
Corrosion resistance class CRC ¹⁾		3

- 1) Corrosion resistance class CRC 3 to Festo standard FN 940070
 High corrosion stress. Outdoor exposure under moderate corrosive conditions. External visible parts with primarily functional requirements for the surface and which are in direct contact with a normal industrial environment.

ATEX	
ATEX category for gas	II 2G
Type of ignition protection for gas	c T4X
ATEX category for dust	II 2D
Type of ignition protection for dust	c 120°CX
Explosion-proof temperature [°C]	-20 ≤ Ta ≤ +60
CE mark (see declaration of conformity) ¹⁾	As per EU Explosion Protection Directive (ATEX)

- 1) Additional information www.festo.com/sp → Certificates.

Forces [N] and impact energy [J]	100	125	160	200	250	320
Piston ∅						
Theoretical force at 6 bar, advancing	4712	7363	12064	18850	29452	48255
Theoretical force at 6 bar, retracting	4417	6881	11581	18080	28274	46385
Max. impact energy in the end positions	1.3	1.0	1.4	1.0	–	–

Permissible impact velocity:

$$v_{perm.} = \sqrt{\frac{2 \times E_{perm.}}{m_{intrinsic} + m_{Load}}}$$

Maximum permissible load:

$$m_{Load} = \frac{2 \times E_{perm.}}{v^2} - m_{intrinsic}$$

$v_{perm.}$ Permissible impact velocity
 $E_{perm.}$ Maximum impact energy
 $m_{intrinsic}$ Moving mass (actuator)
 m_{Load} Moving payload

Air consumption [l]	100	125	160	200	250	320
Piston ∅						
Air consumption, advancing, per 10 mm stroke	0.5498	0.859	1.4074	2.119	3.436	5.63
Air consumption, retracting, per 10 mm stroke	0.5153	0.8027	1.3511	2.111	3.299	5.412

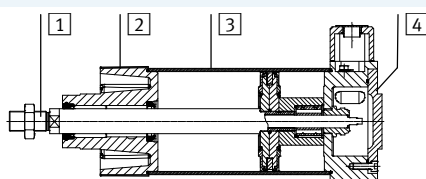
Linear actuators DFPI-...-E-NB3P

Technical data

Weight [g]						
Piston Ø	100	125	160	200	250	320
Basic weight With 0 mm stroke	4900	7500	12800	18100	31100	57700
Additional weight Per 10 mm stroke	90	134	200	238	358	582
Moving mass At 0 mm stroke	1060	1900	3700	4800	9300	16500
Additional moving mass Per 10 mm stroke	28	53	89	89	134	227

Materials

Sectional view

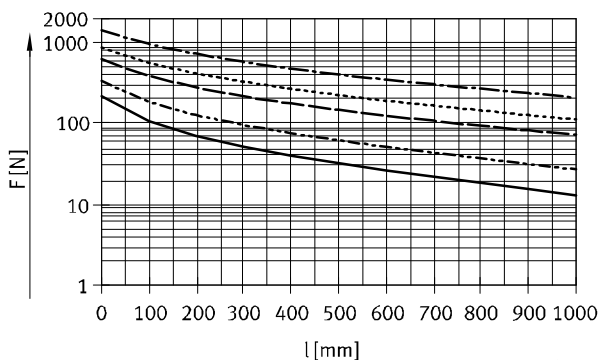


	Piston Ø	
1	100 ... 320	High-alloy stainless steel
2	100 ... 320	Aluminium die-cast
3	100 ... 320	Smooth anodised wrought aluminium alloy
4	100 ... 320	Coated wrought aluminium alloy
- Tie rod	100 ... 320	High-alloy stainless steel
- Flange screw/nut	100 ... 320	High-alloy stainless steel
- Screws	100 ... 320	Coated steel High-alloy stainless steel
- Rod bearing	100 ... 320	Sintered bronze
- Piston seal	100, 125	TPE-U (PU)
	160 ... 320	NBR
- Piston rod wiper seal	100	TPE-U (PU)
	125 ... 320	NBR
- Static seals	100 ... 320	NBR
- Note on materials	100 ... 320	RoHS-compliant

Max. lateral force as a function of stroke length l

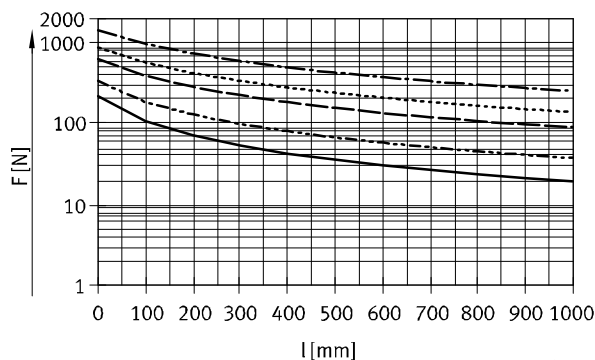
The maximum lateral force (horizontal/vertical) applies to the static application. In closed-loop operation, adjustment of the maximum lateral force to the type of control is required. If necessary, the piston rod must be guided to avoid system vibration.

Horizontal lateral force



- Ø 100
- - - Ø 125
- · - · Ø 160, 200
- · · · · Ø 250
- - - - - Ø 320

Vertical lateral force



- Ø 100
- - - Ø 125
- · - · Ø 160, 200
- · · · · Ø 250
- - - - - Ø 320

Linear actuators DFPI-...-E-NB3P

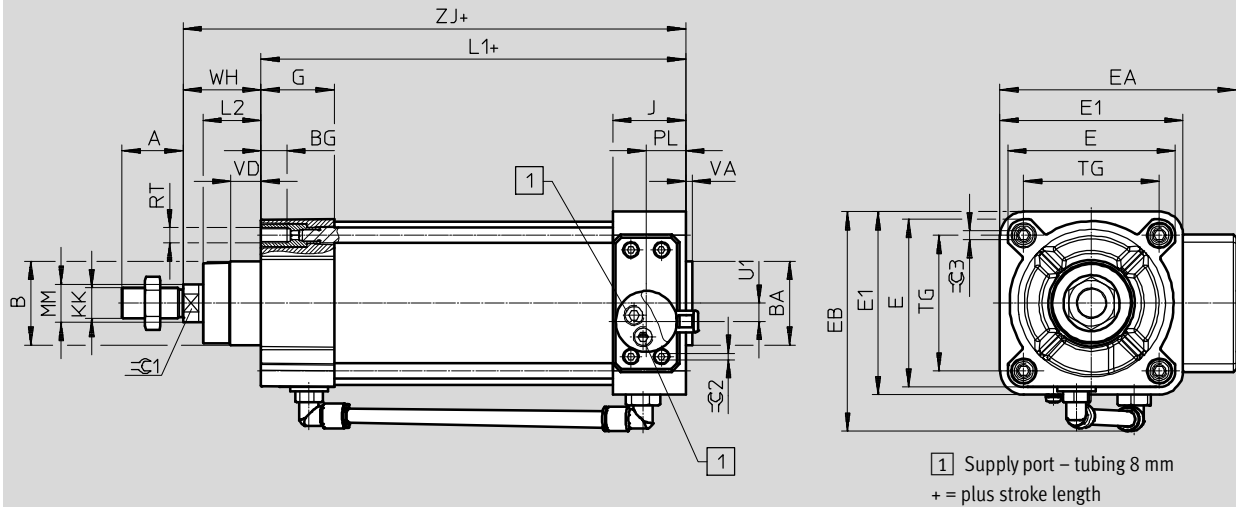
Technical data



Dimensions

Download CAD data → www.festo.com

Piston Ø 100, 125



Piston Ø	A	B	BA	BG	E	E1	EA	EB	G	J	KK	L1
[mm]	-0.5	Ø	Ø d11									
DFPI-100	40	55	55	17	110	120	155	146	48	48	M20x1.5	179
DFPI-125	54	60	60	20	136	145	180	173	44.7		M27x2	200

Piston Ø	L2	MM	PL	RT	TG	U1	VD	VA	WH	ZJ	⌀C1	⌀C2	⌀C3
[mm]		Ø						-1					
DFPI-100	38	25	26	M10	89	12	19.2	4	51±1.8	229.7	22	4	6
DFPI-125	45.5	32		M12	110	22	20.5	6	65±2.2	264.7	27		8

Linear actuators DFPI-...-E-NB3P

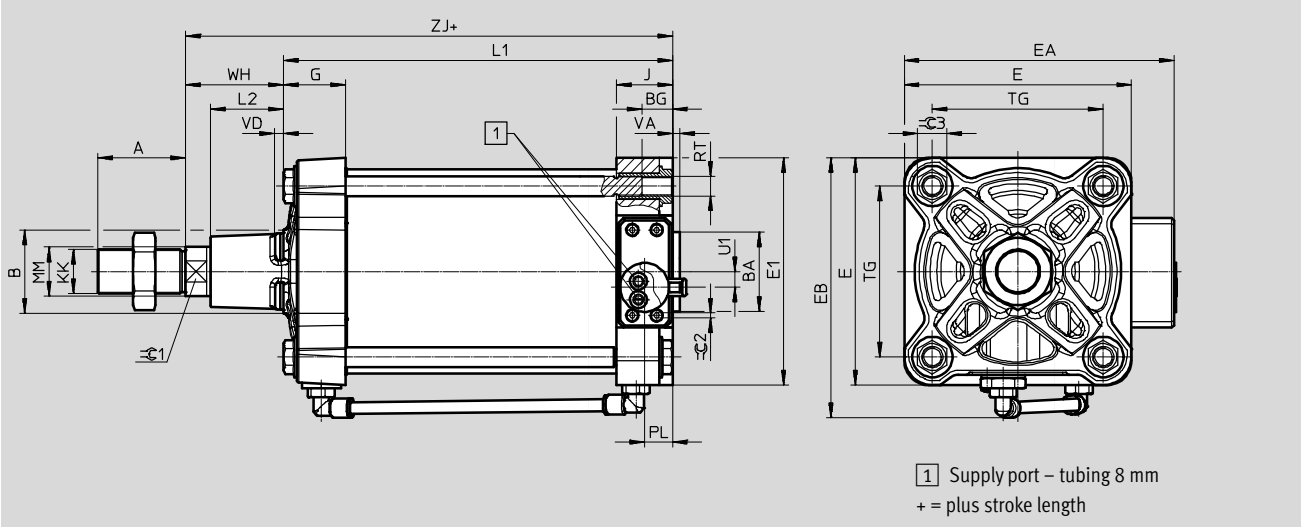
Technical data

FESTO

Dimensions

Download CAD data → www.festo.com

Piston Ø 160, 200, 250, 320



Piston Ø	A	B	BA	BG	E	E1	EA	EB	G	J	KK	L1
[mm]	-0.5	Ø	Ø d11									
DFPI-160	72	65	65	24	186	186	221	212	51	46	M36x2	219
DFPI-200		75	75		230	230	265	256				47.2
DFPI-250	84	90	90	25	284	270	312	312	52	51.5	M42x2	254
DFPI-320	96	110	110	28	347	342	378.5	379	56	58	M48x2	281.2

Piston Ø	L2	MM	PL	RT	TG	U1	VD	VA	WH	ZJ	$\varnothing 1$	$\varnothing 2$	$\varnothing 3$
[mm]		Ø						-1	±2.2				
DFPI-160	60	40	23	M16	140	13	7.5	6	80	298.6	36	4	24
DFPI-200	70				175	32							95
DFPI-250	80	50	M20	220	47	13.7	105	359	46	42			
DFPI-320	90	63	M24	270	62	10.7	120	401.2	55	50			

Ordering data

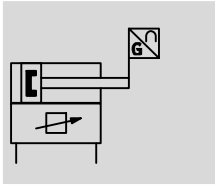
		Piston Ø	Part No.	Type
		[mm]		
	Linear actuators with integrated displacement encoder	100	2185733	DFPI-100- ... -ND2P-E-NB3P
		125	2207685	DFPI-125- ... -ND2P-E-NB3P
		160	2208573	DFPI-160- ... -ND2P-E-NB3P
		200	2209613	DFPI-200- ... -ND2P-E-NB3P
		250	2210666	DFPI-250- ... -ND2P-E-NB3P
		320	2186271	DFPI-320- ... -ND2P-E-NB3P


Linear actuators DFPI-...-C1V-NB3P


FESTO


Technical data

Function



-  - Stroke
40 ... 990 mm

-  - Force
4417 ... 46385 N

-  - Piston \varnothing
100 ... 320 mm



General technical data		
Stroke	[mm]	40 ... 990
Mode of operation		Double-acting
Based on standard		DIN ISO 15552
Cushioning		None
Mounting position		Any
Type of mounting		To ISO 15552
Design		Piston rod, cylinder barrel
Position sensing		With integrated displacement encoder
Measuring principle of displacement encoder		Potentiometer
Pneumatic connection		For tubing O.D. 8 mm For tubing O.D. 10 mm
Electrical connection		5-pin, straight plug, screw terminal
Max. cable length	[m]	15

General electrical characteristic data		
Operating voltage range	[V DC]	21.6 ... 26.4
Nominal operating voltage	[V DC]	24
Analogue output	[mA]	4 ... 20
Accuracy of analogue output	[%FS]	1
Setpoint input	[mA]	4 ... 20
Max. current consumption	[mA]	220
Reverse polarity protection		For operating voltage For setpoint value Initialisation connection
Size of the dead space	[%FS]	1
Hysteresis	[%FS]	± 1
Positioning accuracy	[%FS]	1
Repeat accuracy	[%FS]	± 1

Linear actuators DFPI...-C1V-NB3P

Technical data

Operating and environmental conditions	
Operating pressure [bar]	3 ... 8
Nominal operating pressure [bar]	6
Operating medium	Compressed air to ISO 8573-1:2010 [7:4:4]
Note on operating/pilot medium	Lubricated operation possible (in which case lubricated operation will always be required)
Ambient temperature [°C]	-5 ... +50
Storage temperature [°C]	-5 ... +50
Relative humidity [%]	5 ... 100, condensing
Degree of protection	IP65, IP67, IP69K, NEMA 4
Vibration resistance in accordance with DIN/IEC 68, Part 2-6	Tested to severity level 2
Continuous shock resistance in accordance with DIN/IEC 68, Part 2-82	Tested to severity level 2
Certification	RCM
Corrosion resistance class CRC ¹⁾	3

1) Corrosion resistance class CRC 3 to Festo standard FN 940070
High corrosion stress. Outdoor exposure under moderate corrosive conditions. External visible parts with primarily functional requirements for the surface and which are in direct contact with a normal industrial environment.

ATEX	
ATEX category for gas	II 3G
Type of ignition protection for gas	Ex nA IIC T4 Gc
ATEX category for dust	II 3D
Type of ignition protection for dust	Ex tc IIIC T120°C Dc
Explosion-proof temperature [°C]	-5 ≤ Ta ≤ +50
CE mark (see declaration of conformity) ¹⁾	As per EU Explosion Protection Directive (ATEX)

1) Additional information www.festo.com/sp → Certificates.

Linear actuators DFPI-...-C1V-NB3P

Technical data

Forces [N]						
Piston Ø	100	125	160	200	250	320
Theoretical force at 6 bar, advancing	4712	7363	12064	18850	29452	48255
Theoretical force at 6 bar, retracting	4417	6881	11581	18080	28274	46385

Maximum permissible load:
$$m_{Load} = \frac{2 \times E_{perm.}}{v^2} - m_{Intrinsic}$$

$m_{Intrinsic}$ Moving mass (actuator)
 m_{Load} Moving payload

Air consumption [l]						
Piston Ø	100	125	160	200	250	320
Air consumption, advancing, per 10 mm stroke	0.549	0.859	1.407	2.199	3.436	5.63
Air consumption, retracting, per 10 mm stroke	0.515	0.803	1.351	2.111	3.299	5.412

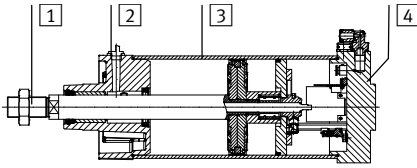
Weight [g]						
Piston Ø	100	125	160	200	250	320
Basic weight with 0 mm stroke	5280	7950	14330	20410	35370	57550
Additional weight per 10 mm stroke	90	134	200	238	358	582
Moving mass with 0 mm stroke	1060	1900	3700	4800	9300	16500
Additional moving mass per 10 mm stroke	28	53	89	89	134	227

Linear actuators DFPI-...-C1V-NB3P

Technical data

Materials

Sectional view

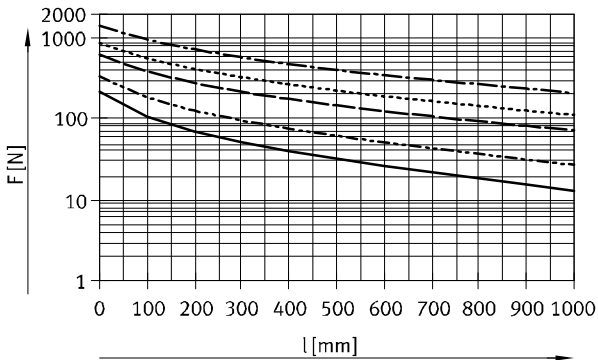


	Piston Ø	
1	100 ... 320	Piston rod High-alloy stainless steel
2	100 ... 320	Bottom cap (bearing cap) Aluminium die-cast
3	100 ... 320	Cylinder barrel Smooth anodised wrought aluminium alloy
4	100 ... 320	Top cap (end cap) Coated wrought aluminium alloy
-	100 ... 200	Tie rod High-alloy stainless steel
-	100 ... 320	Flange screw/nut High-alloy stainless steel
-	100 ... 320	Screws Coated steel High-alloy stainless steel
-	100 ... 320	Rod bearing Sintered bronze
-	100, 125	Piston seal TPE-U (PU)
-	160 ... 320	NBR
-	100	Piston rod wiper seal TPE-U (PU)
-	125 ... 200	NBR
-	100 ... 320	Static seals NBR
-	100 ... 320	Note on materials Contains PWIS (paint-wetting impairment substances)
-	100 ... 320	RoHS-compliant

Max. lateral force as a function of stroke length l

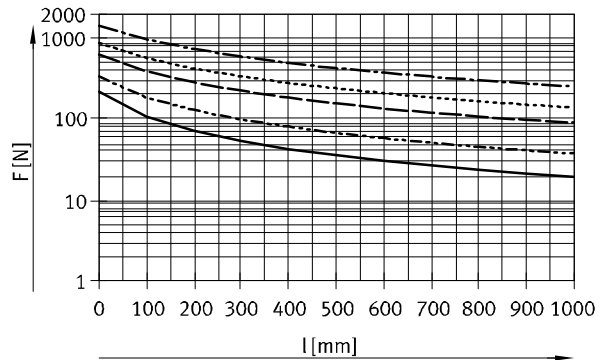
The maximum lateral force (horizontal/vertical) applies to the static application. In closed-loop operation, the maximum lateral force needs to be adjusted to the type of control. If necessary, the piston rod must be guided to avoid system vibration.

Horizontal lateral force



- Ø 100
- - - Ø 125
- — — Ø 160, 200
- · · · · Ø 250
- - - - - Ø 320

Vertical lateral force



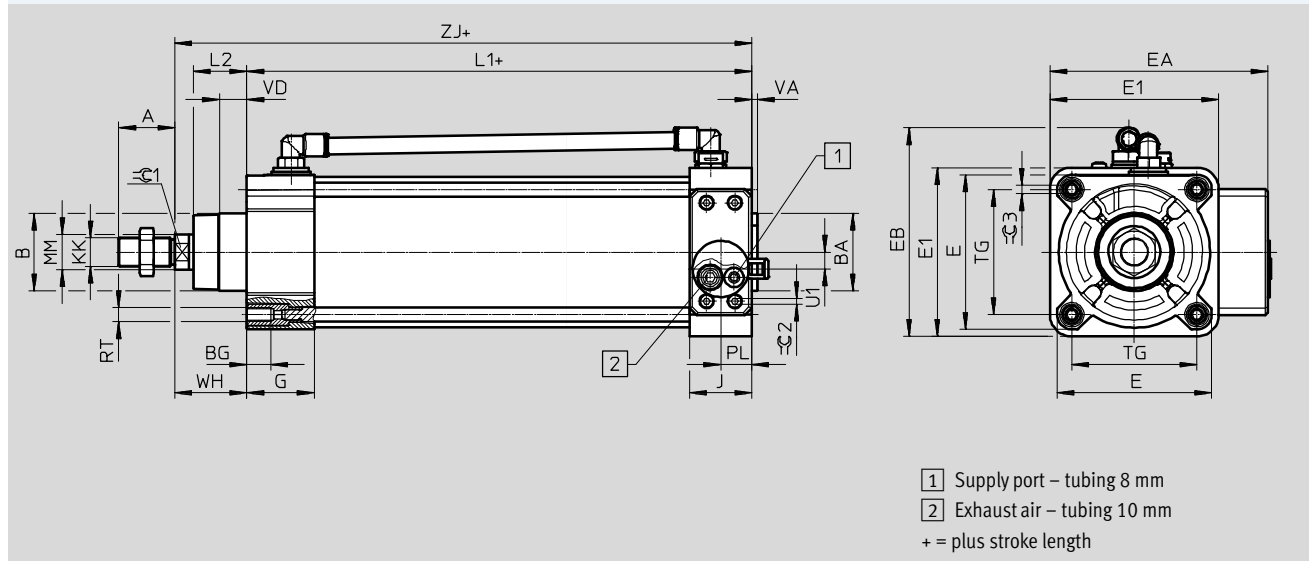
- Ø 100
- - - Ø 125
- — — Ø 160, 200
- · · · · Ø 250
- - - - - Ø 320

Linear actuators DFPI-...-C1V-NB3P

Technical data

Dimensions Download CAD data → www.festo.com

Piston Ø 100, 125



Piston Ø	A	B	BA	BG	E	E1	EA	EB	G	J	KK	L1
[mm]	-0.5	Ø	Ø d11									
DFPI-100	40	55	55	17	110	120	155	146	48	44	M20x1.5	258.9
DFPI-125	54	60	60	20	136	145	180	173	44.7		M27x2	254.4

Piston Ø	L2	MM	PL	RT	TG	U1	VD	VA	WH	ZJ	∅C1	∅C2	∅C3
[mm]		Ø						-1					
DFPI-100	38	25	22	M10	89	12	19.2	4	51±1.8	309.9	22	4	6
DFPI-125	45.5	32		M12	110	2	20.5	6	65±2.2	319.4	27		8

Linear actuators DFPI-...-C1V-NB3P

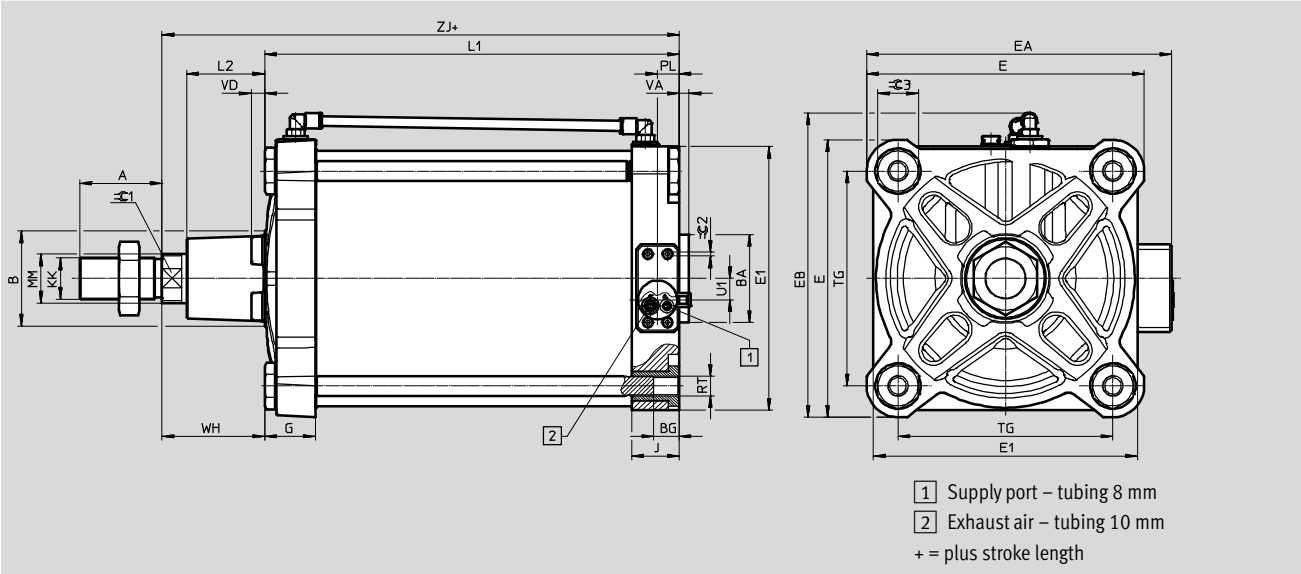
Technical data



Dimensions

Download CAD data → www.festo.com

Piston Ø 160, 200, 250, 320

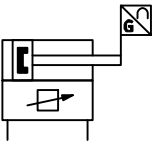
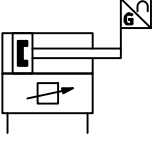


Piston Ø	A	B	BA	BG	E	E1	EA	EB	G	J	KK	L1
[mm]	-0.5	Ø	Ø d11									
DFPI-160	72	65	65	24	186	186	221	212	51	46	M36x2	291.8
DFPI-200		75	75		230	230	265	256	47.2			297
DFPI-250	84	90	90	25	284	270	312	312	52	48.5	M42x2	324.4
DFPI-320	96	110	110	28	347	342	378.5	379	56	46	M48x2	351.4

Piston Ø	L2	MM	PL	RT	TG	U1	VD	VA	WH	ZJ	⊖C1	⊖C2	⊖C3
[mm]		Ø						-1	±2.2				
DFPI-160	60	40	22	M16	140	12	7.5	6	80	371.8	36	4	24
DFPI-200	70				175	32			95	392			
DFPI-250	80	50	22.5	M20	220	22	13.7	10	105	429.2	46	50	
DFPI-320	90	63		M24	270	52	10.7		120	471.4	55		

Linear actuators DFPI-...-C1V-NB3P

Technical data

Ordering data			
	Piston \varnothing [mm]	Part No.	Type
Safety position advancing			
	Linear actuators with integrated positioner	100	2184841 DFPI-100-...-ND2P-C1V-NB3P-A
		125	2180905 DFPI-125-...-ND2P-C1V-NB3P-A
		160	2201101 DFPI-160-...-ND2P-C1V-NB3P-A
		200	2206373 DFPI-200-...-ND2P-C1V-NB3P-A
		250	2200311 DFPI-250-...-ND2P-C1V-NB3P-A
		320	2185309 DFPI-320-...-ND2P-C1V-NB3P-A
Safety position retracting			
	Linear actuators with integrated positioner	100	4588304 DFPI-100-...-ND2P-C1V-NB3P-R-A
		125	4588636 DFPI-125-...-ND2P-C1V-NB3P-R-A
		160	4588972 DFPI-160-...-ND2P-C1V-NB3P-R-A
		200	4587974 DFPI-200-...-ND2P-C1V-NB3P-R-A
		250	4591209 DFPI-250-...-ND2P-C1V-NB3P-R-A
		320	4591205 DFPI-320-...-ND2P-C1V-NB3P-R-A

Linear actuators DFPI-NB3P

Accessories

Connecting cable NHSB
for DFPI-...-E-... and DFPI-...-C1V-...



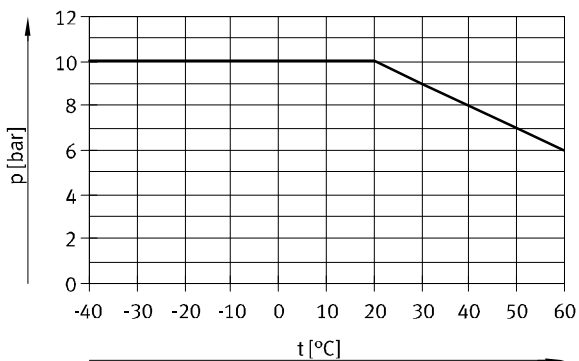
General technical data		
Connecting cable	[mm ²]	3x 0.75 5x 0.75
Mounting position		Any
Electrical connection 1		Straight plug connector, 3-pin Straight plug connector, 5-pin
Electrical connection 2		Open end, 3-wire Open end, 5-wire
Min. cable bending radius	[mm]	100
Pneumatic connection		For tubing O.D. 8 mm
		- For tubing O.D. 10 mm

Operating and environmental conditions		
Ambient temperature	[°C]	-20 ... 60
Ambient temperature with flexible cable installation	[°C]	-5 ... 60
Operating voltage range DC	[V]	0 ... 30
Operating medium		Compressed air to ISO 8573-1:2010 [7:4:4]
Note on operating/pilot medium		Lubricated operation possible
Degree of protection		IP65, IP67, IP69K, NEMA 4
Outdoor applications		C1 – weather-protected areas
Relative humidity	[%]	5 ... 100, condensing

Materials	
Protective conduit	PA
Protective conduit fitting	PA
Cable sheath	PVC
Seals	TPE
Note on materials	Contains paint-wetting impairment substances
	RoHS-compliant

Operating pressure [bar] as a function of operating temperature [°C]

NHSB-A1-...



Linear actuators DFPI-NB3P

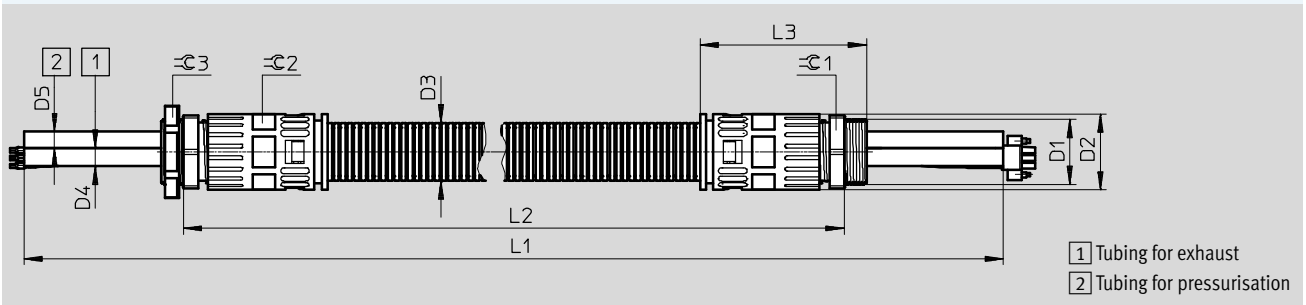
Accessories

FESTO

Dimensions

Download CAD data → www.festo.com

3-wire

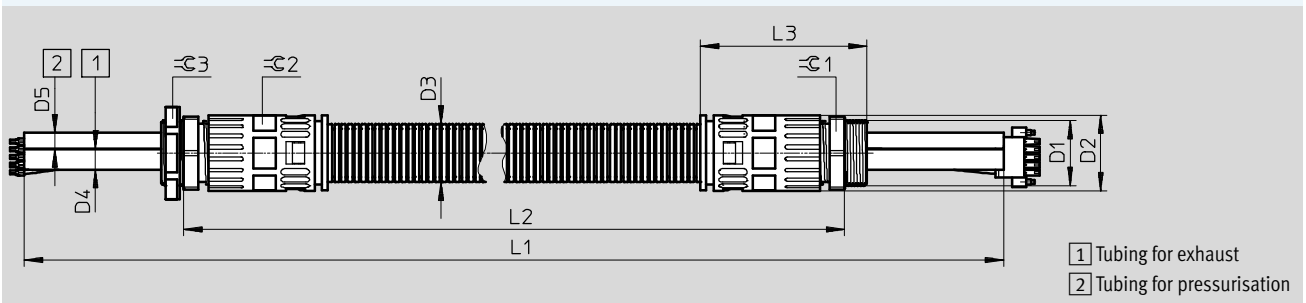


Type	D1	D2	D3	D4	D5	L1	L2	L3	⊖ C1	⊖ C2	⊖ C3
NHSB-A1-0.6-BLG3-LE3-PU8-2xBB	M32x1.5	37	28.5	8	8	1400	600	82	36	34	41
NHSB-A1-5-BLG3-LE3-PU8-2xBB						6100	5000				
NHSB-A1-10-BLG3-LE3-PU8-2xBB						11100	10000				
NHSB-A1-15-BLG3-LE3-PU8-2xBB						16100	15000				

Dimensions

Download CAD data → www.festo.com

5-wire



Type	D1	D2	D3	D4	D5	L1	L2	L3	⊖ C1	⊖ C2	⊖ C3
NHSB-A1-5-BLG5-LE5-PU8-2xBB	M32x1.5	37	28.5	10	8	6100	5000	82	36	34	41
NHSB-A1-10-BLG5-LE5-PU8-2xBB						11100	10000				
NHSB-A1-15-BLG5-LE5-PU8-2xBB						16100	15000				

Ordering data – Connecting cable

Technical data → Internet:nhsb

	Electrical connection 1	Electrical connection 2	Length [m]	Cable composition [mm ²]	Weight [g]	Part No.	Type
3-wire, for DFPI- ... -E-...							
	Straight plug connector, 3-pin	Open end, 3-wire	0.6	3x 0.75	280	3673475	NHSB-A1-0,6-BLG3-LE3-PU8-2XBB
			5		1250	1686608	NHSB-A1-5-BLG3-LE3-PU8-2XBB
			10		2500	1686609	NHSB-A1-10-BLG3-LE3-PU8-2XBB
			15		3750	1686610	NHSB-A1-15-BLG3-LE3-PU8-2XBB
5-wire, for DFPI- ... -C1V-...							
	Straight plug connector, 5-pin	Open end, 5-wire	5	5x 0.75	1250	1585793	NHSB-A1-5-BLG5-LE5-PU8-2XBB
			10		2500	1585794	NHSB-A1-10-BLG5-LE5-PU8-2XBB
			15		3750	1585795	NHSB-A1-15-BLG5-LE5-PU8-2XBB

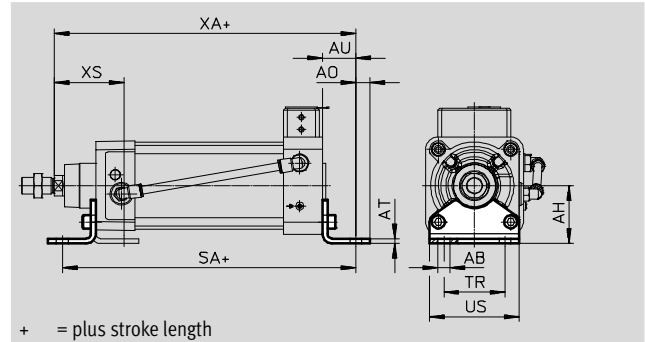
Linear actuators DFPI-NB3P

Accessories

Foot mounting HNC/CRHNC

Materials:

- HNC: Galvanised steel
- CRHNC: High-alloy steel
- Free of copper and PTFE



Dimensions										
For Ø	AB Ø	AH	AO	AT	AU	SA	TR	US	XA	XS
[mm]										
100	14.5	71	17.5	6	41	261	75	110	270.7	86
125	16.5	90	22	8	45	290	90	131	309.7	102

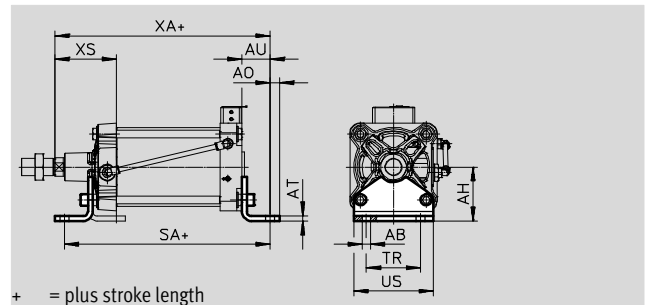
Ordering data								
For Ø	Basic design				High corrosion protection			
	CRC ¹⁾	Weight [g]	Part No.	Type ²⁾	CRC ¹⁾	Weight [g]	Part No.	Type ²⁾
[mm]								
100	2	1009	174374	HNC-100	4	990	176942	CRHNC-100
125	2	1902	174375	HNC-125	4	1920	176943	CRHNC-125

- Corrosion resistance class CRC 2 to Festo standard FN 940070
Moderate corrosion stress. Indoor applications in which condensation may occur. External visible parts with primarily decorative requirements for the surface and which are in direct contact with the ambient atmosphere typical for industrial applications.
Corrosion resistance class CRC 4 to Festo standard FN 940070
Particularly high corrosion stress. Outdoor exposure under extreme corrosive conditions. Parts exposed to aggressive media, for instance in the chemical or food industries. These applications may need to be supported by special tests (→ also FN 940082) using appropriate media.
- Suitable for ATEX areas

Foot mounting HNG

Materials:

- Galvanised steel
- Free of copper and PTFE



Dimensions and ordering data														
For Ø	AB Ø	AH	AO	AT	AU	SA	TR	US	XA	XS	CRC ¹⁾	Weight [g]	Part No.	Type
[mm]														
160	18.5	115	20	10	60	339	115	169	358.6	130	2	3931	34476	HNG-160
200	24	135	30	12	70	365	135	214	390	153	2	6896	34477	HNG-200

- Corrosion resistance class CRC 2 to Festo standard FN 940070
Moderate corrosion stress. Indoor applications in which condensation may occur. External visible parts with primarily decorative requirements for the surface and which are in direct contact with the ambient atmosphere typical for industrial applications.

Linear actuators DFPI-NB3P

Accessories

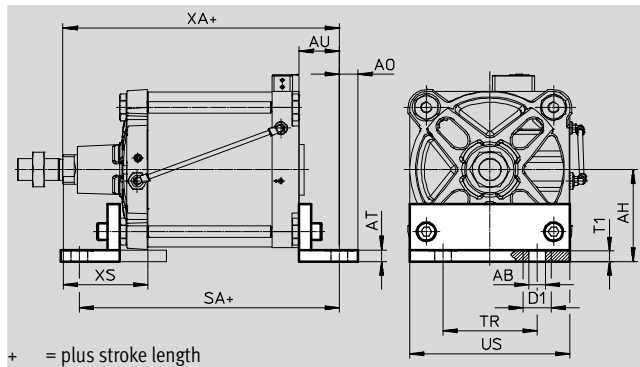


Foot mounting HNG

Materials:

Galvanised steel

Free of copper and PTFE



Dimensions and ordering data														Weight [g]	Part No.	Type
For \varnothing [mm]	AB \varnothing	AH	A0	AT	AU	D1 \varnothing	SA	T1	DR	US	XA	XS	CRC ¹⁾			
250	28	165	35	20	75	-	404	-	165	270	434	160	2	17084	157510	HNG-250
320	35	200	40	25	85	60	451.2	23	200	340	486.2	180	2	29968	157511	HNG-320

1) Corrosion resistance class CRC 2 to Festo standard FN 940070
 Moderate corrosion stress. Indoor applications in which condensation may occur. External visible parts with primarily decorative requirements for the surface and which are in direct contact with the ambient atmosphere typical for industrial applications.

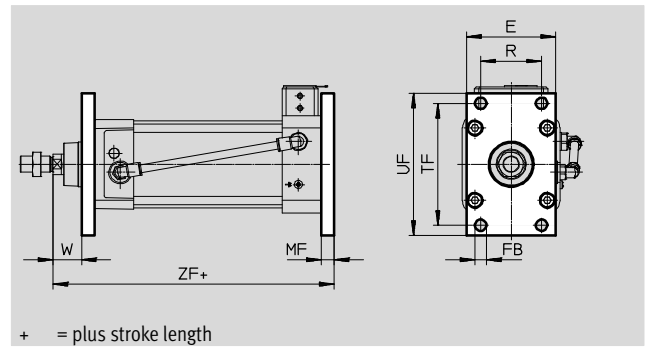
Linear actuators DFPI-NB3P

Accessories

Flange mounting FNC/CRFNG

Materials:

- FNC: Galvanised steel
- CRFNG: High-alloy steel
- Free of copper and PTFE
- RoHS-compliant



Dimensions								
For \varnothing	E	FB	MF	R	TF	UF	W	ZF
[mm]		\varnothing						
100	110	14	16	75	150	175	35	245.7
125	132	16	20	90	180	210	45	284.7

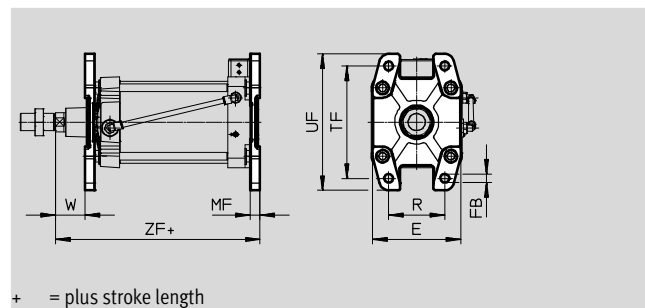
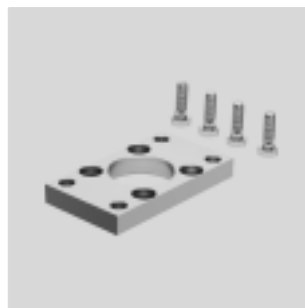
Ordering data								
For \varnothing	Basic design				High corrosion protection			
	CRC ¹⁾	Weight [g]	Part No.	Type ²⁾	CRC ¹⁾	Weight [g]	Part No.	Type ²⁾
[mm]								
100	1	2041	174381	FNC-100	4	2054	161851	CRFNG-100
125	1	3775	174382	FNC-125	4	3787	185363	CRFNG-125

- Corrosion resistance class CRC 1 to Festo standard FN 940070
 Low corrosion stress. For dry indoor applications or transport and storage protection. Also applies to parts behind covers, in the non-visible interior area, and parts which are covered in the application (e.g. drive trunnions).
 Corrosion resistance class CRC 4 to Festo standard FN 940070
 Particularly high corrosion stress. Outdoor exposure under extreme corrosive conditions. Parts exposed to aggressive media, for instance in the chemical or food industries. These applications may need to be supported by special tests (→ also FN 940082) using appropriate media.
- Suitable for ATEX areas

Flange mounting FNG

Materials:

- Painted spheroidal graphite cast iron
- Free of copper and PTFE



Dimensions and ordering data												
For \varnothing	E	FB	MF	R	TF	UF	W	ZF	CRC ¹⁾	Weight	Part No.	Type
[mm]		\varnothing								[g]		
160	180	18	20	115	230	280	60	318.6	1	3550	34478	FNG-160
200	220	22	25	135	270	320	70	345	1	5321	34479	FNG-200
250	270	26	25	165	330	390	80	384	1	8657	157508	FNG-250
320	340	33	30	200	400	470	90	431.2	1	15109	157509	FNG-320

- Corrosion resistance class CRC 1 to Festo standard FN 940070
 Low corrosion stress. For dry indoor applications or transport and storage protection. Also applies to parts behind covers, in the non-visible interior area, and parts which are covered in the application (e.g. drive trunnions).

Linear actuators DFPI-NB3P

Accessories

FESTO

Trunnion flange ZNCF/CRZNG

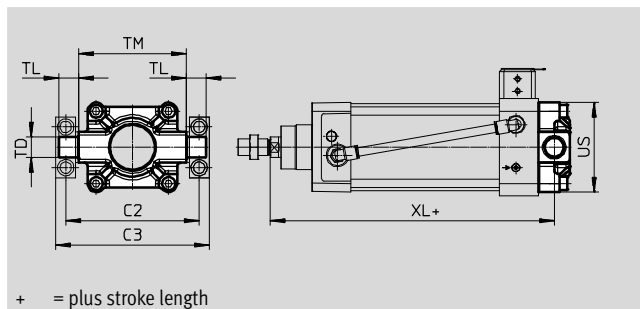
Materials:

ZNCF: Stainless steel casting

CRZNG: Electropolished stainless steel casting

Free of copper and PTFE

RoHS-compliant



+ = plus stroke length

Dimensions							
For \varnothing	C2	C3	TD \varnothing e9	TL	TM	US	XL
[mm]							
100	164	189	25	24.5	132	110	248.7
125	192	217			160	131	289.7

Ordering data								
For \varnothing	Basic design				High corrosion protection			
	CRC ¹⁾	Weight [g]	Part No.	Type ²⁾	CRC ¹⁾	Weight [g]	Part No.	Type ²⁾
[mm]								
100	2	2254	174416	ZNCF-100	4	2254	161857	CRZNG-100
125	2	3484	174417	ZNCF-125	4	3484	185362	CRZNG-125

1) Corrosion resistance class CRC 2 to Festo standard FN 940070

Moderate corrosion stress. Indoor applications in which condensation may occur. External visible parts with primarily decorative requirements for the surface and which are in direct contact with the ambient atmosphere typical for industrial applications.

Corrosion resistance class CRC 4 to Festo standard FN 940070

Particularly high corrosion stress. Outdoor exposure under extreme corrosive conditions. Parts exposed to aggressive media, for instance in the chemical or food industries. These applications may need to be supported by special tests (→ also FN 940082) using appropriate media.

2) Suitable for ATEX areas

Linear actuators DFPI-NB3P

Accessories

Trunnion support LNZG

Mounting material:

Diameter 100, 125: Anodised wrought aluminium alloy

Diameter 160 ... 320: Galvanised steel

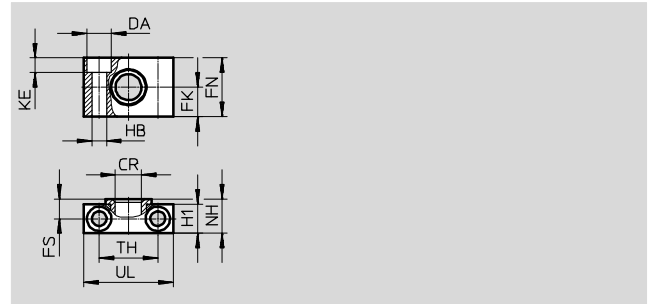
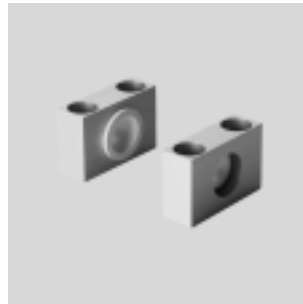
Material of bearing:

Diameter 100 ... 200: Plastic

Diameter 250, 320: Bronze

Free of copper and PTFE

RoHS-compliant



Dimensions and ordering data														Weight	Part No.	Type
For \varnothing	CR	DA	FK	FN	FS	H1	HB	KE	NH	TH	UL	CRC ¹⁾	Weight	Part No.	Type	
[mm]	\varnothing	\varnothing H13					\varnothing H13						[g]			
100, 125	25D11	20	25 \pm 0.1	50	16	24.5	14	13	28.5	50 \pm 0.2	75	2	306	32962	LNZG-100/125	
160, 200	32D11	26	30 \pm 0.2	60	22.5	36	18	17	40	60 \pm 0.3	92	2	659	35780	LNZG-160/200	
250	40G7	33	35 \pm 0.2	70	27.5	45	22	21.5	50	90 \pm 0.3	140	2	2218	157516	LNZG-250	
320	50G7	40	40 \pm 0.2	80	32.5	55	26	25.5	60	100 \pm 0.3	150	2	2934	157517	LNZG-320	

1) Corrosion resistance class CRC 2 to Festo standard FN 940070

Moderate corrosion stress. Indoor applications in which condensation may occur. External visible parts with primarily decorative requirements for the surface and which are in direct contact with the ambient atmosphere typical for industrial applications.

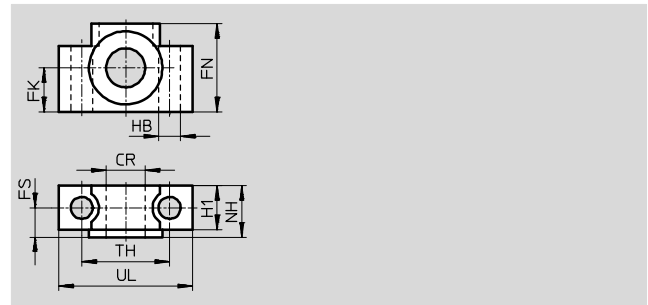
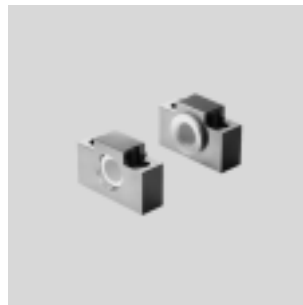
Trunnion support CRLNZG

Materials:

High-alloy steel

Free of copper and PTFE

RoHS-compliant



Dimensions and ordering data														Weight	Part No.	Type
For \varnothing	CR	FK	FN	FS	H1	HB	NH	TH	UL	CRC ¹⁾	Weight	Part No.	Type			
[mm]	\varnothing D11	\pm 0.1				\varnothing H13		\pm 0.2			[g]					
100, 125	25	25	50	16	24.5	14	28.5	50	75	4	739	161877	CRLNZG-100/125			

1) Corrosion resistance class CRC 4 to Festo standard FN 940070

Particularly high corrosion stress. Outdoor exposure under extreme corrosive conditions. Parts exposed to aggressive media, for instance in the chemical or food industries. These applications may need to be supported by special tests (➔ also FN 940082) using appropriate media.

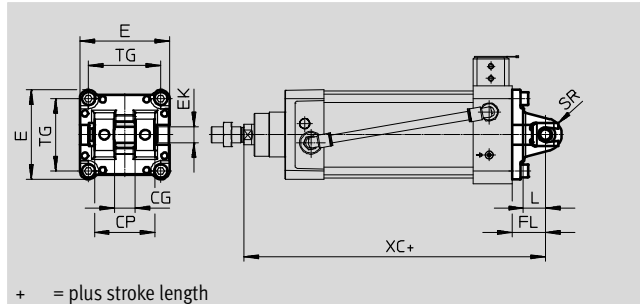
Linear actuators DFPI-NB3P

Accessories



Swivel flange SNC

Materials:
Die-cast aluminium
RoHS-compliant

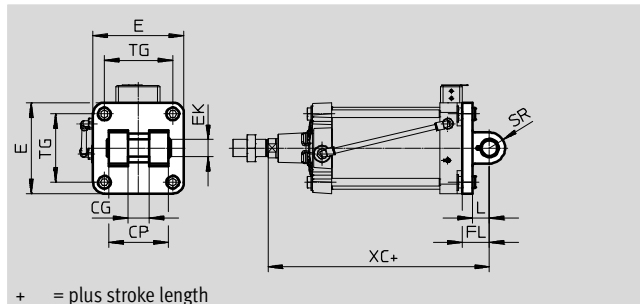


Dimensions and ordering data													
For Ø	CG	CP	E	EK Ø	FL ±0.2	L	SR	TG	XC	CRC ¹⁾	Weight [g]	Part No.	Type ²⁾
[mm]	H14	h14		H9									
100	25	75	110+0.3/-0.8	20	41	27	20	89	270.7	2	895	174388	SNC-100
125	37	97	131-0.8	30	50	30	25	110	334.7	2	1740	174389	SNC-125

- 1) Corrosion resistance class CRC 2 to Festo standard FN 940070
Moderate corrosion stress. Indoor applications in which condensation may occur. External visible parts with primarily decorative requirements for the surface and which are in direct contact with the ambient atmosphere typical for industrial applications.
- 2) Suitable for ATEX areas

Swivel flange SNG

Material:
Die-cast aluminium
RoHS-compliant



Dimensions and ordering data													
For Ø	CG	CP	E	EK Ø	FL ±0.2	L	SR	TG	XC	CRC ¹⁾	Weight [g]	Part No.	Type ²⁾
[mm]	H14	d12	Max.	F7/h9		Min.	Max.	±0.3					
160	43	122	186	35	55	35	32	140	353.6	2	3577	152597	SNG-160
200			230		60			175				380	2

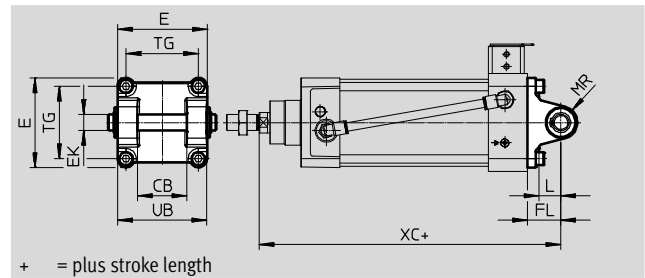
- 1) Corrosion resistance class CRC 2 to Festo standard FN 940070
Moderate corrosion stress. Indoor applications in which condensation may occur. External visible parts with primarily decorative requirements for the surface and which are in direct contact with the ambient atmosphere typical for industrial applications.
- 2) Suitable for ATEX areas

Linear actuators DFPI-NB3P

Accessories

Swivel flange SNCB/SNCB-...-R3

Materials:
SNCB: Die-cast aluminium
SNCB-...-R3: Die-cast aluminium with protective coating, high corrosion protection
Free of copper and PTFE
RoHS-compliant



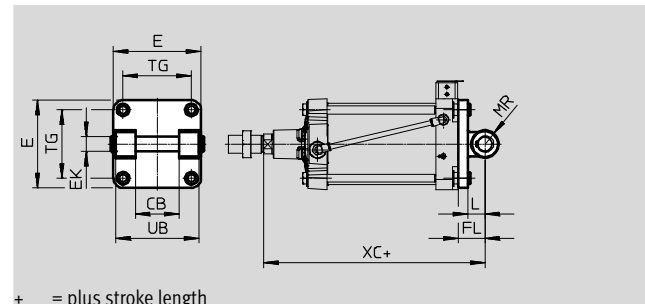
Dimensions									
For Ø	CB	E	EK	FL	L	MR	TG	UB	XC
[mm]	H14		Ø H9/e8	±0.2		-0.5			
100	60	110+0.3/-0.8	20	41	27	20	89	110	270.7
125	70	131-0.8	25	50	30	25	110	130	314.7

Ordering data									
For Ø	Basic design				Variant R3 – High corrosion protection				XC
	CRC ¹⁾	Weight [g]	Part No.	Type	CRC ¹⁾	Weight [g]	Part No.	Type	
100	1	1035	174395	SNCB-100	3	986	176949	SNCB-100-R3	
125	1	1860	174396	SNCB-125	3	1776	176950	SNCB-125-R3	

- 1) Corrosion resistance class CRC 1 to Festo standard FN 940070
Low corrosion stress. For dry indoor applications or transport and storage protection. Also applies to parts behind covers, in the non-visible interior area, and parts which are covered in the application (e.g. drive trunnions).
Corrosion resistance class CRC 3 to Festo standard FN 940070
High corrosion stress. Outdoor exposure under moderate corrosive conditions. External visible parts with primarily functional requirements for the surface and which are in direct contact with a normal industrial environment.

Swivel flange SNGB for clevis foot LN/LSN

Materials:
Die-cast aluminium



Dimensions and ordering data													
For Ø	CB	E	EK	FL	L	MR	TG	UB	XC	CRC ¹⁾	Weight	Part No.	Type
[mm]	H14		Ø	±0.2			±0.2	h14			[g]		
160	90	183.5	30 H9	55	37	30	140	170	353.6	2	3445	34547	SNGB-160
200		220		60	40	25	175		380	2	10020	562455	SNGB-200-B
250	110	268	40 E10	70	47	40	220	200	426	1	16141	157512	SNGB-250
320	120	338	45 H9	80	52	45	270	220	481.2	1	26636	157513	SNGB-320

- 1) Corrosion resistance class CRC 1 to Festo standard FN 940070
Low corrosion stress. For dry indoor applications or transport and storage protection. Also applies to parts behind covers, in the non-visible interior area, and parts which are covered in the application (e.g. drive trunnions).
Corrosion resistance class CRC 2 to Festo standard FN 940070
Moderate corrosion stress. Indoor applications in which condensation may occur. External visible parts with primarily decorative requirements for the surface and which are in direct contact with the ambient atmosphere typical for industrial applications.

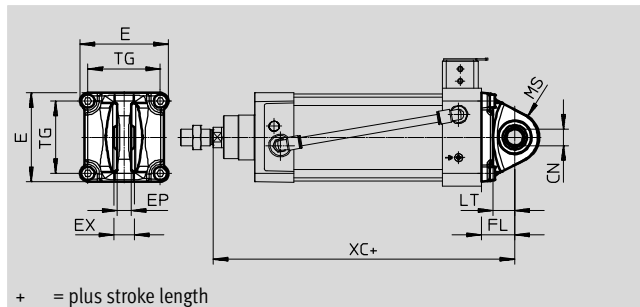
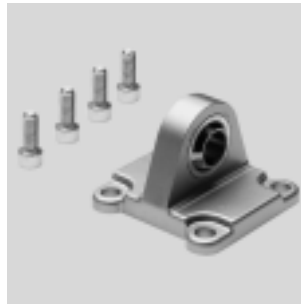
Linear actuators DFPI-NB3P

Accessories



Swivel flange SNCS

Materials:
Wrought aluminium alloy
Free of copper and PTFE
RoHS-compliant



Dimensions and ordering data													
For \varnothing	CN	E	EP	EX	FL	LT	MS	TG	XC	CRC ¹⁾	Weight	Part No.	Type
[mm]	\varnothing	+1/-0.7	± 0.2								[g]		
100	20	109	18	25	41	27	30	89	270.7	2	683	174402	SNCS-100
125	30	132	25	37	50	30	39	110	314.7	2	1369	174403	SNCS-125

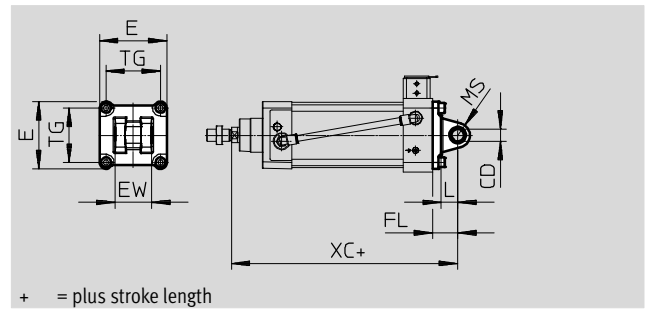
1) Corrosion resistance class CRC 2 to Festo standard FN 940070
Moderate corrosion stress. Indoor applications in which condensation may occur. External visible parts with primarily decorative requirements for the surface and which are in direct contact with the ambient atmosphere typical for industrial applications.

Linear actuators DFPI-NB3P

Accessories

Swivel flange SNCL

Materials:
Die-cast aluminium
Free of copper and PTFE
RoHS-compliant



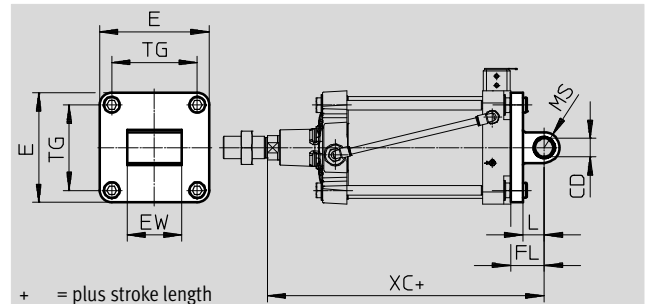
+ = plus stroke length

Dimensions and ordering data												
For \varnothing	CD	E	EW	FL	L	MS	TG	XC	CRC ¹⁾	Weight	Part No.	Type
[mm]	\varnothing H9		-0.2/-0.6	+0.2						[g]		
100	20	110 ^{+0.3/-0.8}	60	41	27	20	72	270.7	2	606	174409	SNCL-100
125	25	131 ^{-0.8}	70	50	30	25	89	314.7	2	1135	174410	SNCL-125

1) Corrosion resistance class CRC 2 to Festo standard FN 940070
Moderate corrosion stress. Indoor applications in which condensation may occur. External visible parts with primarily decorative requirements for the surface and which are in direct contact with the ambient atmosphere typical for industrial applications.

Swivel flange SNGL

Material:
Die-cast aluminium
Free of copper and PTFE



+ = plus stroke length

Dimensions and ordering data												
For \varnothing	CD	E	EW	FL	L	MS	TG	XC	CRC ¹⁾	Weight	Part No.	Type
[mm]	\varnothing H9	± 0.5	-0.5/-1.2	+0.2						[g]		
160	30	179.5	90	55	35	25	140	353.6	2	2358	151534	SNGL-160
200		219.5		60			175	380	2	3713	151535	SNGL-200

1) Corrosion resistance class CRC 2 to Festo standard FN 940070
Moderate corrosion stress. Indoor applications in which condensation may occur. External visible parts with primarily decorative requirements for the surface and which are in direct contact with the ambient atmosphere typical for industrial applications.

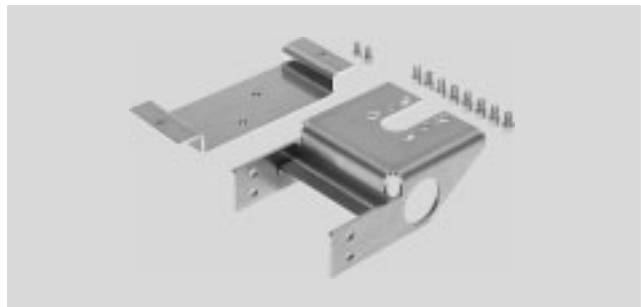
Linear actuators DFPI-NB3P

Accessories



Adapter kit DADG-AK-F6-A2

For direct mounting of a positioner on the linear actuator DFPI-ND2P-E-NB3P



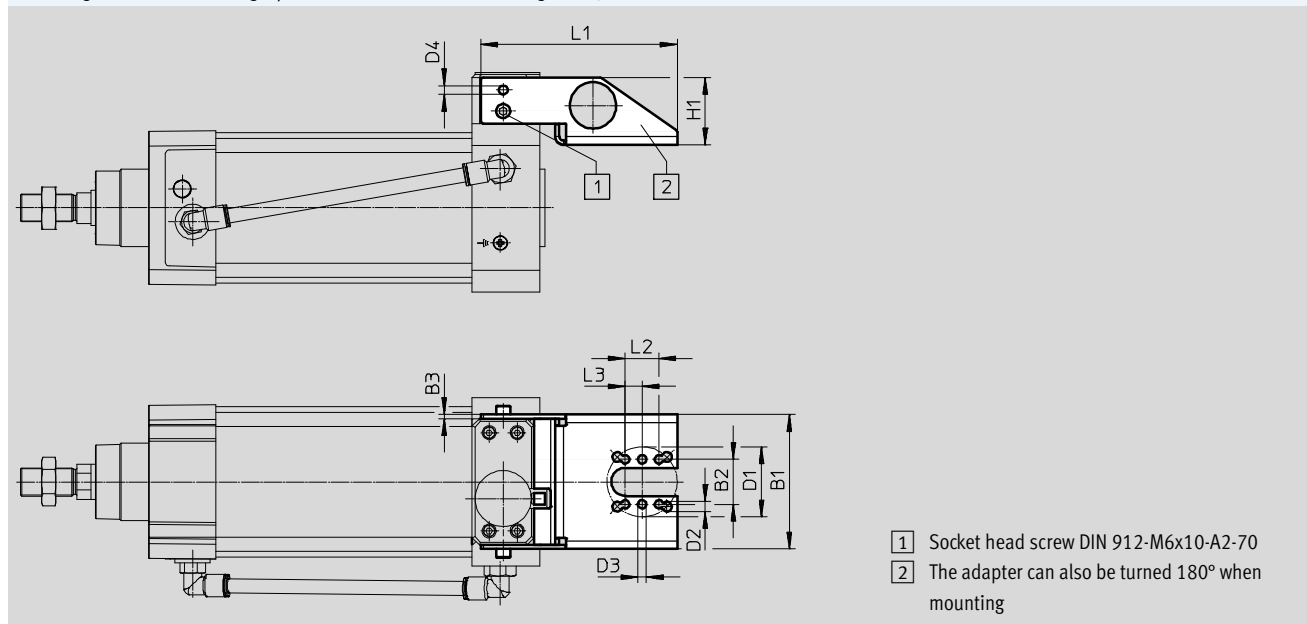
General technical data		
Ambient temperature ¹⁾	[°C]	-20 ... +80
Corrosion resistance class CRC ²⁾		3

- 1) Note operating range of proximity sensors and cylinder
 2) Corrosion resistance class CRC 3 to Festo standard FN 940070
 High corrosion stress. Outdoor exposure under moderate corrosive conditions. External visible parts with primarily functional requirements for the surface and which are in direct contact with a normal industrial environment.

Materials	
Mounting bracket	High-alloy stainless steel
Screws	High-alloy stainless steel
Note on materials	Contains paint-wetting impairment substances
	RoHS-compliant

Dimensions Download CAD data → www.festo.com

Mounting bracket for mounting a positioner with interface according to VDI/VDE 3845 sheet 1:2010-09



Dimensions											
Type	B1	B2	B3	D1	D2	D3	D4	H1	L1	L2	L3
DADG-1	96	32	3	50	7	6	6.3	48	140	24	12

Linear actuators DFPI-NB3P

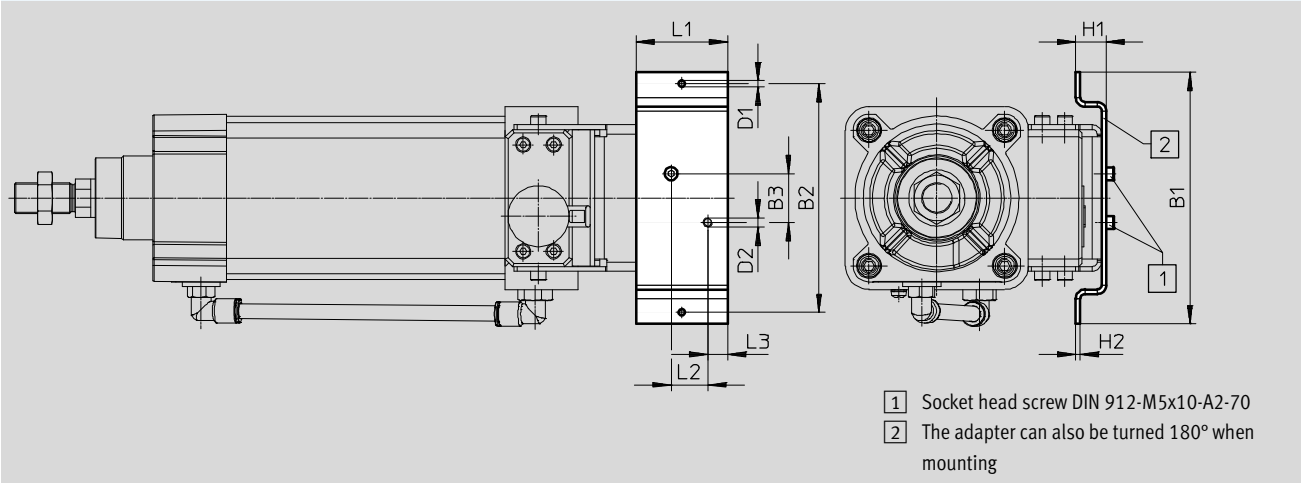
Accessories

FESTO

Dimensions

Download CAD data → www.festo.com

Mounting bracket for mounting a positioner with hole spacing of 150 mm



Dimensions

Type	B1	B2	B3	D1 Ø	D2 Ø	H1	H2	L1	L2	L3
DADG-2	165	150	32	M5	M6	20	3	60	24	13

Ordering data – Adapter kit

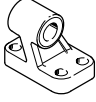
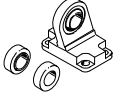
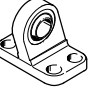

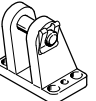
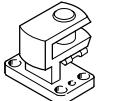
Technical data → Internet: smbs

	For Ø	Description	Part No.	Type
	100 ... 320 mm	For direct mounting of an external positioner on the actuator	3179433	DADG-AK-F6-A2

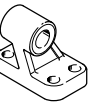
Linear actuators DFPI-NB3P

Accessories



Ordering data – Mounting components				Technical data → Internet: clevis foot			
Description	For Ø	Part No.	Type	Description	For Ø	Part No.	Type
Clevis foot LN/LNG				Clevis foot LSN			
	100	33895	LNG-100		100	5566	LSN-100
	125	33896	LNG-125		125	6987	LSN-125
	160	9037	LN-160		160	6988	LSN-160
	200	33898	LNG-200		200	6989	LSN-200
	250	9039	LN-250		250	6990	LSN-250
	320	9040	LN-320		320	6991	LSN-320
Clevis foot LSNG				Clevis foot LSNSG			
	100	31745	LSNG-100		100	31752	LSNSG-100
	125	31746	LSNG-125		125	31753	LSNSG-125
	160	152599	LSNG-160				
	200	152600	LSNG-200				
Clevis foot LBG¹⁾				Right-angle clevis foot LQG¹⁾			
	100	31766	LBG-100		100	31773	LQG-100
	125	31767	LBG-125		125	31774	LQG-125


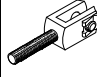
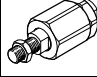
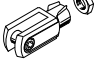
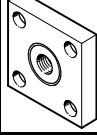
1) Suitable for ATEX areas

Ordering data – Mounting components, corrosion-resistant			Technical data → Internet: crlng	
Description	For Ø	Part No.	Type	
Clevis foot CRLNG				
	100	161845	CRLNG-100	
	125	176951	CRLNG-125	


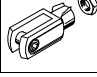

Linear actuators DFPI-NB3P

Accessories

FESTO

Ordering data – Piston rod attachments				Technical data → Internet: piston-rod attachment			
Description	For Ø	Part No.	Type	Description	For Ø	Part No.	Type
Rod eye SGS				Rod clevis SGA¹⁾			
	100	9264	SGS-M20x1,5		100	10769	SGA-M20x1,5
	125	10774	SGS-M27x2		125	10770	SGA-M27x2
	160, 200	10775	SGS-M36x2		160, 200	10771	SGA-M36x2
	250	10776	SGS-M42x2	Self-aligning rod coupler FK¹⁾			
	320	10777	SGS-M48x2		100	6143	FK-M20x1,5
Rod clevis SG¹⁾					125	10485	FK-M27x2
	100	6147	SG-M20x1,5		160, 200	10746	FK-M36x2
	125	14987	SG-M27x2-B	Coupling piece KSG¹⁾			
	160, 200	9581	SG-M36x2		100	32966	KSG-M20x1,5
	250	9582	SG-M42x2		125	32967	KSG-M27x2
320	9583	SG-M48x2					

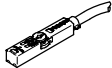
1) Suitable for ATEX areas

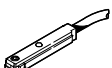
Ordering data – Piston-rod attachments, corrosion-resistant				Technical data → Internet: piston-rod attachment			
Description	For Ø	Part No.	Type	Description	For Ø	Part No.	Type
Rod eye CRSGS				Rod clevis CRSG¹⁾			
	100	195585	CRSGS-M20x1,5		100	13572	CRSG-M20x1,5
	125	195586	CRSGS-M27x2		125	185361	CRSG-M27x2
Self-aligning rod coupler CRFK							
	100	2545677	CRFK-M20x1,5				

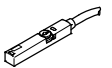
1) Suitable for ATEX areas

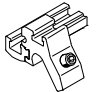
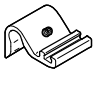
Linear actuators DFPI-NB3P

Accessories

Ordering data – Proximity sensor for T-slot, magneto-resistive					Technical data → Internet: smt-8	
Switching output	Electrical connection		Cable length [m]	Part No.	Type	
	Cable	Plug M8x1				
N/O contact						
	Contactless	2-wire	–	5	574341	SMT-8M-A-ZS-24V-E-5,0-OE-EX2
	PNP	–	3-pin	0.3	574342	SMT-8M-A-PS-24V-E-0,3-M8D-EX2

Ordering data – Proximity sensor for T-slot, corrosion resistant					Technical data → Internet: crsmt	
Switching output	Electrical connection		Cable length [m]	Part No.	Type	
	Cable	Plug M8x1				
N/O contact						
	PNP	Cable, 3-wire	–	2.5	525563	CRSMT-8-PS-K2,5-LED-24
				5.0	525564	CRSMT-8-PS-K5-LED-24



Ordering data – Proximity sensor for T-slot, NAMUR					Technical data → Internet: sdbt	
Switching output	Electrical connection		Cable length [m]	Part No.	Type	
	Cable	Plug M8x1				
N/O contact						
	NAMUR	Cable, 2-wire	–	5	579071	SDBT-MS-20NL-ZN-E-5-LE-EX6
				10	579072	SDBT-MS-20NL-ZN-E-10-LE-EX6

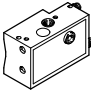
Ordering data – Mounting kits for proximity sensors SME/SMT-8					Technical data → Internet: smt-8	
For Ø	Materials		Part No.	Type		
	Cable	Plug M8x1				
	100	Rail: Anodised wrought aluminium alloy Screws: High-alloy stainless steel Free of copper and PTFE	537806	SMBZ-8-32/100		
		125		1451483	DASP-M4-125-A	
160, 200			1553813	DASP-M4-160-A		
250			1456781	DASP-M4-250-A		
320			3015256	DASP-M4-320-A		

Linear actuators DFPI-NB3P

Accessories

FESTO

Ordering data – Connecting cables				Technical data → Internet: nebu	
	Electrical connection, left	Electrical connection, right	Cable length [m]	Part No.	Type
	Straight socket, M8x1, 3-pin	Cable, open end, 3-wire	2.5	541333	NEBU-M8G3-K-2.5-LE3
			5	541334	NEBU-M8G3-K-5-LE3
	Straight socket, M12x1, 5-pin	Cable, open end, 3-wire	2.5	541363	NEBU-M12G5-K-2.5-LE3
			5	541364	NEBU-M12G5-K-5-LE3
	Angled socket, M8x1, 3-pin	Cable, open end, 3-wire	2.5	541338	NEBU-M8W3-K-2.5-LE3
			5	541341	NEBU-M8W3-K-5-LE3
	Angled socket, M12x1, 5-pin	Cable, open end, 3-wire	2.5	541367	NEBU-M12W5-K-2.5-LE3
			5	541370	NEBU-M12W5-K-5-LE3

Ordering data – Rectangular proximity sensor, pneumatic			Technical data → Internet: smpo	
	Mounting	Pneumatic connection	Part No.	Type
3/2-way valve, normally closed				
	Via accessories	Barbed connector for tubing I.D. 3 mm	31008	SMPO-1-H-B

Ordering data – Mounting kit for proximity sensor SMPO-1			Technical data → Internet: smbs	
	For Ø	Mounting	Part No.	Type
	32 ... 100 mm	On the cylinder barrel via clamping strap	151226	SMBS-2