



- Modular
- Functional
- Versatile

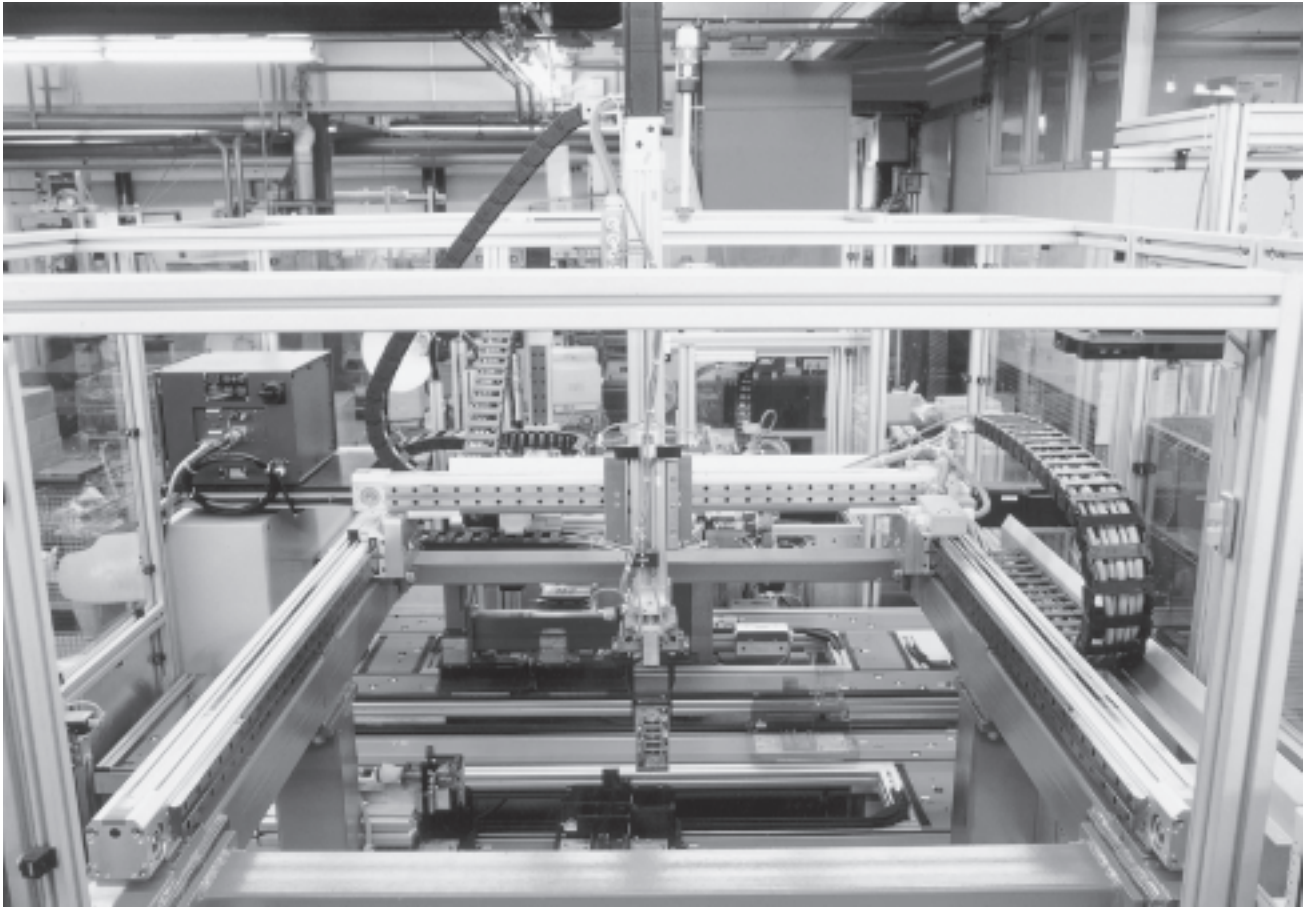
Connectors

Key features



System components
Multi-axis modular system

3.3



Connecting kits

Basic kit

Kit that serves as the basis for the individual modules in a multi-axis system and as the interface to the surrounding machines.

Adapter kit

Kit for connecting drives. Direct mounting or mounting via slot nuts.

Connecting kit

For connecting drives and basic components.

Reinforcing kit

Primarily used to reinforce an existing connection. Also used to mount the base profile for power cables.

Mounting kit

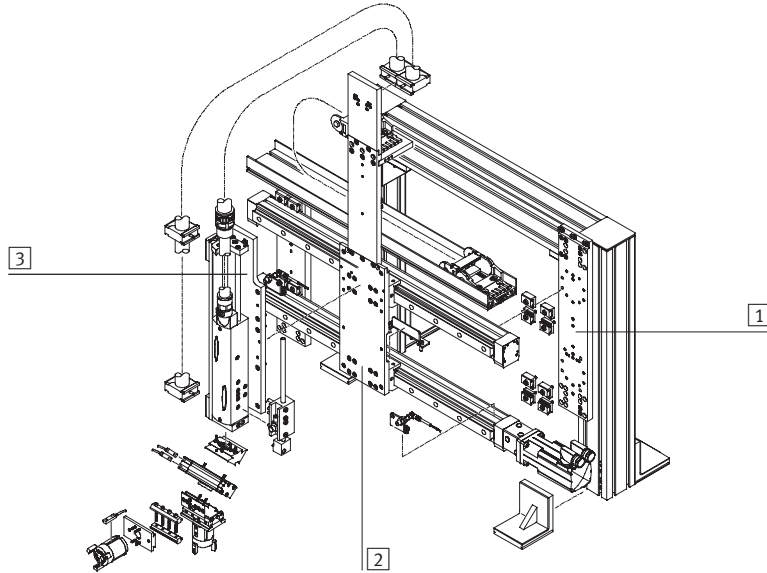
For mounting accessories such as controllers on multi-axis systems.

Connectors

Key features

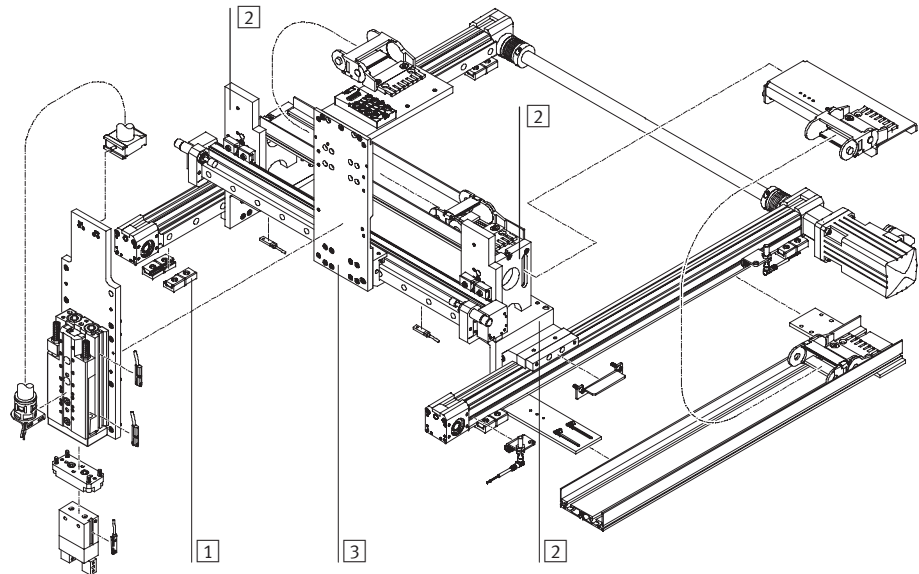
Linear gantry

- 1 Components for combining basic axes (basic kit)
- 2 Components for connecting the drives (adapter kit)
- 3 Components for mounting the drives along the Z-axis in gantry designs



3-Dimensional gantry




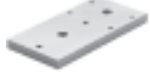
- 1 Components for combining basic axes
- 2 Components for lateral mounting of an axis (adapter kit, reinforcing kit, basic kit)
- 3 Components for mounting the drives along the Z-axis in gantry designs

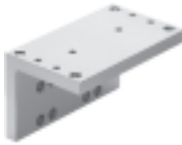





Connectors

Product range overview

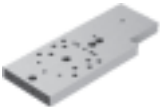







Version	Brief description	→ Page
Reinforcing kit HMBK-DB		
	<ul style="list-style-type: none"> • For pick & place • For direct mounting of linear modules HMP and HMPL 	5 / 3.3-172
Components kit HMBK-ND		
	<ul style="list-style-type: none"> • For pick & place • For direct mounting of linear modules HMP 	5 / 3.3-172
Connecting kit HMBK-WS		
	<ul style="list-style-type: none"> • For pick & place • For dovetail mounting of linear modules HMP and HMPL and mini slides SLT 	5 / 3.3-173
Connecting adapter HMY		
	<ul style="list-style-type: none"> • For pick & place • For connecting basic components and drives • Fastening material is included in delivery 	5 / 3.3-174

Version	Brief description	→ Page
Adapter kit HMY-DL		
	<ul style="list-style-type: none"> • For 3-dimensional gantries • For connecting X-axes and Y-axes • Mounting interface for reinforcing kit HMYV and basic kit HMYM • Fastening material is included in delivery 	5 / 3.3-175
Adapter kit HMY-S-RF		
	<ul style="list-style-type: none"> • For 3-dimensional gantries • For connecting X-axes and Y-axes • For toothed belt axis DGE-RF with roller guide • Mounting interface for reinforcing kit HMYV and basic kit HMYM • Fastening material is included in delivery 	5 / 3.3-176
Reinforcing kit HMYV-RP/FP		
	<ul style="list-style-type: none"> • For 3-dimensional gantries • Mounting interface for basic kit HMYM/HMYD, installation components, etc. • Fastening material is included in delivery 	5 / 3.3-177
Basic kit HMYM-LP, HMYD-LP		
	<ul style="list-style-type: none"> • For linear gantries • For Y-axis • For Mono and Duo systems • Mounting interface for profiles, drives and displacement encoders • Fastening material is included in delivery 	5 / 3.3-178

Connectors

Product range overview

Version	Brief description	→ Page	Version	Brief description	→ Page
Basic kit HMVM-RP/FP, HMVD-RP/FP			Connecting plate HMVO-RF		
	<ul style="list-style-type: none"> • For 3-dimensional gantries • For Y-axis • For Mono and Duo systems • Mounting interface for drives • Fastening material is included in delivery 	5 / 3.3-179		<ul style="list-style-type: none"> • For linear gantries • Compensating component for toothed belt axis DGE-RF for compensating the difference in height in comparison with the axes DGE-ZR-KF and DGE-SP-KF 	5 / 3.3-182
Adapter kit HMVS-DL			Connecting plate HMVO-POT		
	<ul style="list-style-type: none"> • For linear and 3-dimensional gantries • For Mono and Duo systems • Mounting interface for basic kit HMVZ • Fastening material and earthing kits are included in delivery 	5 / 3.3-180		<ul style="list-style-type: none"> • For linear gantries • Compensating component for displacement encoder MLO-POT-TLF for compensating the difference in height in comparison with the linear drive DGPL with MUP 	5 / 3.3-182
Basic kit HMVZ			Mounting kit HMVW-SPC		
	<ul style="list-style-type: none"> • For linear and 3-dimensional gantries • For Z-axis • For Mono and Duo systems • Mounting interface for drives, installation components, etc. • Fastening material and earthing kits are included in delivery 	5 / 3.3-181		<ul style="list-style-type: none"> • For mounting the axis interface on the end cap of the drive • Fastening material is included in delivery 	5 / 3.3-183

Connectors

Technical data

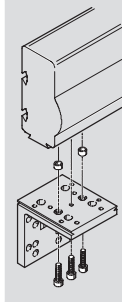


Components kit HMBK-DB

- For pick & place

- For direct mounting of linear modules HMP and HMPL

Material:
Steel
Free of copper, PTFE and silicone



Technical data and ordering codes			
CRC ¹⁾	Weight [g]	Part No.	Type
2	15	175 973	HMBK-DB

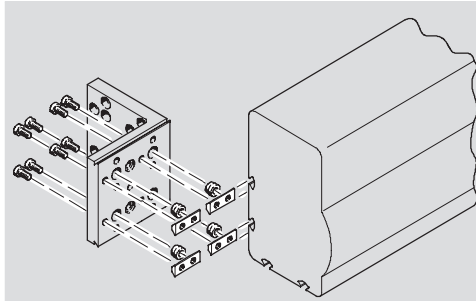
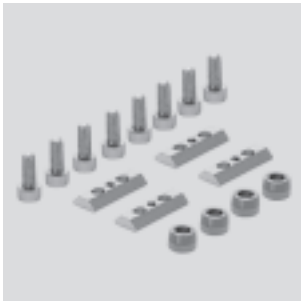
1) Corrosion resistance class 2 according to Festo standard 940 070
Components requiring moderate corrosion resistance. Externally visible parts with primarily decorative surface requirements which are in direct contact with a normal industrial environment or media such as coolants or lubricating agents.

Components kit HMBK-ND

- For pick & place

- For direct mounting of linear modules HMP

Material: Steel
Tempered steel, non-alloyed
Free of copper, PTFE and silicone



Technical data and ordering codes			
CRC ¹⁾	Weight [g]	Part No.	Type
2	62	175 970	HMBK-ND

1) Corrosion resistance class 2 according to Festo standard 940 070
Components requiring moderate corrosion resistance. Externally visible parts with primarily decorative surface requirements which are in direct contact with a normal industrial environment or media such as coolants or lubricating agents.

Connectors

Technical data

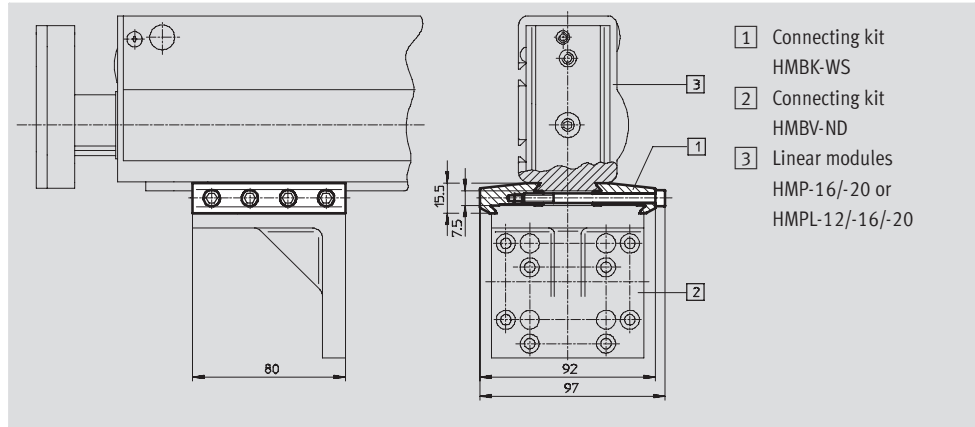
Connecting kit HMBK-WS



- For pick & place

- For dovetail mounting of linear modules HMP and HMPL and mini slides SLT

Material:
Anodised aluminium
Free of copper, PTFE and silicone



Technical data and ordering codes			
CRC ¹⁾	Weight [g]	Part No.	Type
2	453	175 975	HMBK-WS

1) Corrosion resistance class 2 according to Festo standard 940 070
Components requiring moderate corrosion resistance. Externally visible parts with primarily decorative surface requirements which are in direct contact with a normal industrial environment or media such as coolants or lubricating agents.

Connectors

Technical data



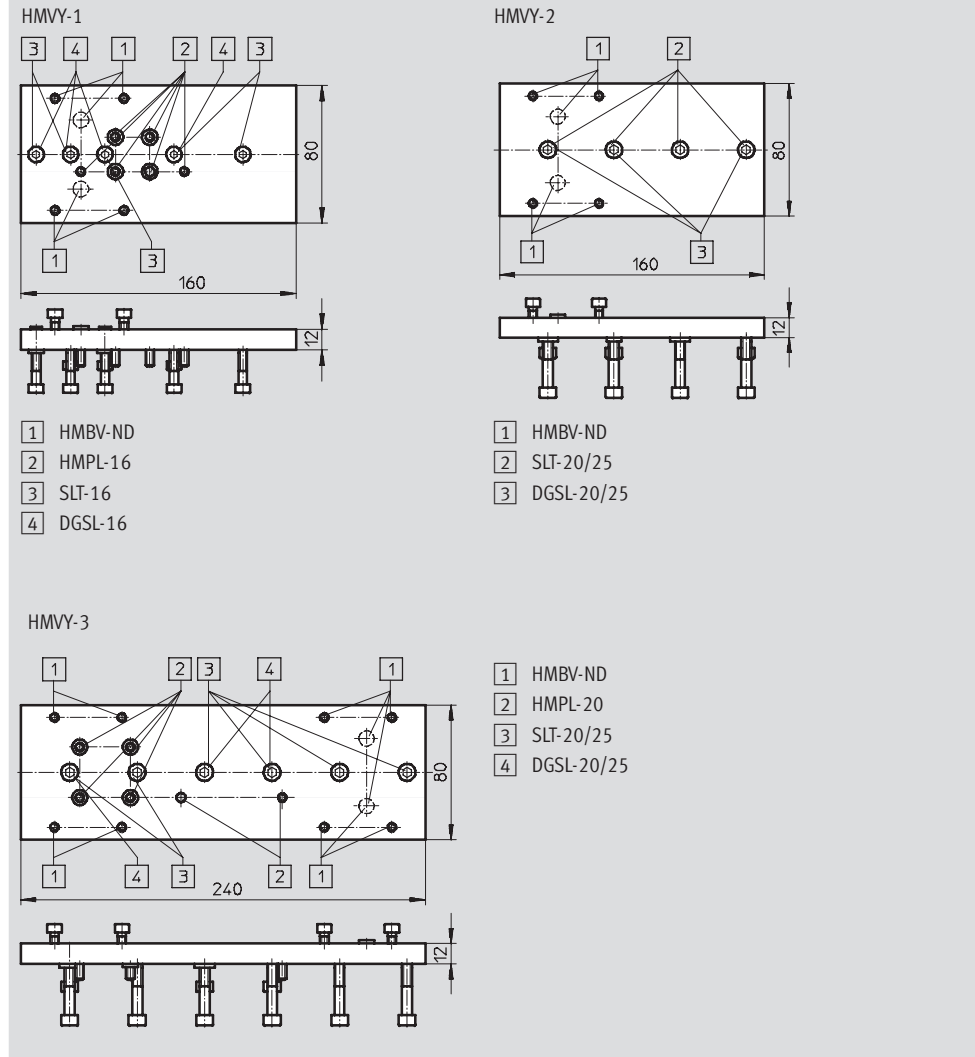
Connecting adapter HMVY



- For pick & place

- For connecting basic components and drives
- Fastening material is included in delivery

Material:
Anodised aluminium
Free of copper, PTFE and silicone



Technical data and ordering codes			
CRC ¹⁾	Weight	Part No.	Type
	[g]		
2	410	539 968	HMVY-1
	420	539 969	HMVY-2
	620	539 970	HMVY-3

1) Corrosion resistance class 2 according to Festo standard 940 070
Components requiring moderate corrosion resistance. Externally visible parts with primarily decorative surface requirements which are in direct contact with a normal industrial environment or media such as coolants or lubricating agents.

Connectors

Technical data

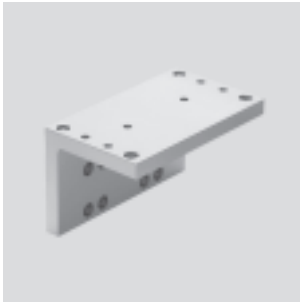


Adapter kit HMVW-DL

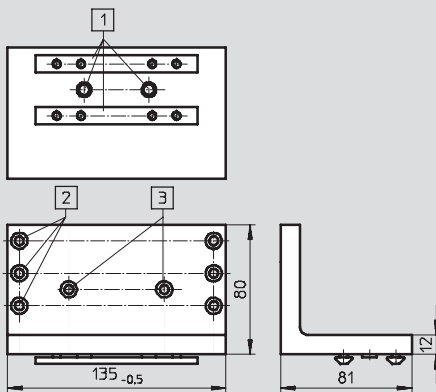
- For 3-dimensional gantries
- For connecting X-axes and Y-axes

- Mounting interface for reinforcing kit HMVV and basic kit HMVM
- Fastening material is included in delivery

Material:
Anodised aluminium
Free of copper, PTFE and silicone

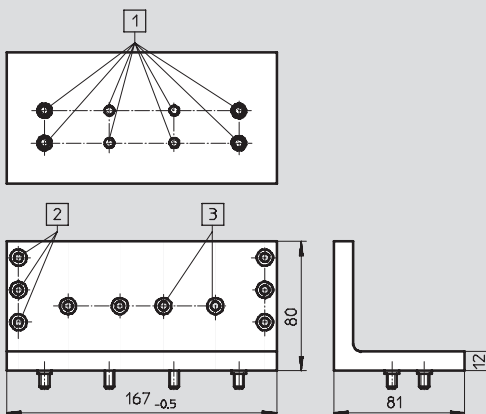


HMVW-DL25



- 1 DGE-25-ZR-KF
- 2 HMVM-RP/FP-DL25/40
HMVD-RP/FP-DL25/40
- 3 HMVV-RP/FP

HMVW-DL40



- 1 DGE-40-ZR-KF
- 2 HMVM-RP/FP-DL25/40
HMVD-RP/FP-DL25/40
- 3 HMVV-RP/FP

Technical data and ordering codes

CRC ¹⁾	Weight	Part No.	Type
	[g]		
2	640	539 651	HMVW-DL25
	800	540 325	HMVW-DL40

1) Corrosion resistance class 2 according to Festo standard 940 070
Components requiring moderate corrosion resistance. Externally visible parts with primarily decorative surface requirements which are in direct contact with a normal industrial environment or media such as coolants or lubricating agents.

Connectors

Technical data



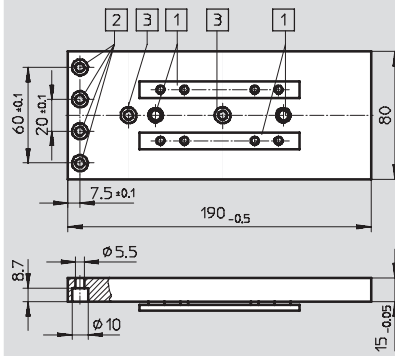
Adapter kit HMVS-RF

- For 3-dimensional gantries
- For connecting X-axes and Y-axes
- For toothed belt axis DGE-RF with roller guide
- Mounting interface for reinforcing kit HMVV and basic kit HMVM
- Fastening material is included in delivery

Material:
Anodised aluminium
Free of copper, PTFE and silicone

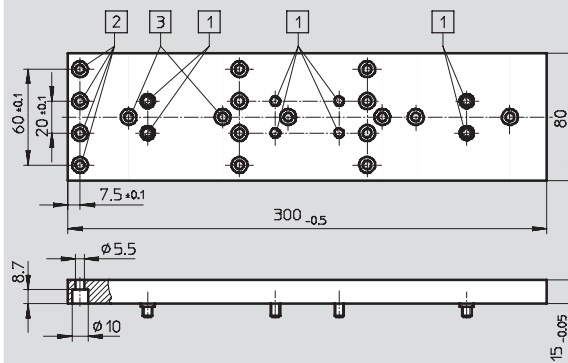


HMVS-RF-25



- 1 DGE-25-ZR-RF
- 2 HMVM-RP/FP-DL25/40
HMVD-RP/FP-DL25/40
- 3 HMVV-RP/FP

HMVS-RF-40



- 1 DGE-40-ZR-RF
- 2 HMVM-RP/FP-DL25/40
HMVD-RP/FP-DL25/40
- 3 HMVV-RP/FP

Technical data and ordering codes

CRC ¹⁾	Weight	Part No.	Type
	[g]		
2	600	539 652	HMVS-RF25
	930	539 653	HMVS-RF40

1) Corrosion resistance class 2 according to Festo standard 940 070

Components requiring moderate corrosion resistance. Externally visible parts with primarily decorative surface requirements which are in direct contact with a normal industrial environment or media such as coolants or lubricating agents.

Connectors

Technical data



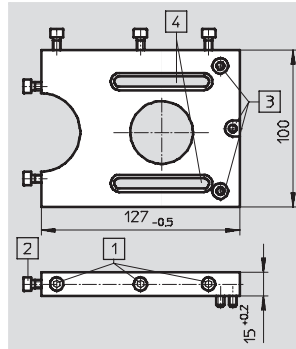
Reinforcing kit HMVV-RP/FP



- For 3-dimensional gantries

- Mounting interface for basic kit HMVM/HMVD, installation components, etc.
- Fastening material is included in delivery

Material:
Anodised aluminium
Free of copper, PTFE and silicone



- 1 HMVM-RP/FP-DL25/40
HMVD-RP/FP-DL25/40
- 2 HMVS-RF25/40
HMVW-DL25/40
- 3 HMIA-E07
- 4 HMIXF-RP/FP

Technical data and ordering codes			
CRC ¹⁾	Weight	Part No.	Type
	[g]		
2	400	539 657	HMVV-RP/FP

1) Corrosion resistance class 2 according to Festo standard 940 070
Components requiring moderate corrosion resistance. Externally visible parts with primarily decorative surface requirements which are in direct contact with a normal industrial environment or media such as coolants or lubricating agents.

Connectors

Technical data



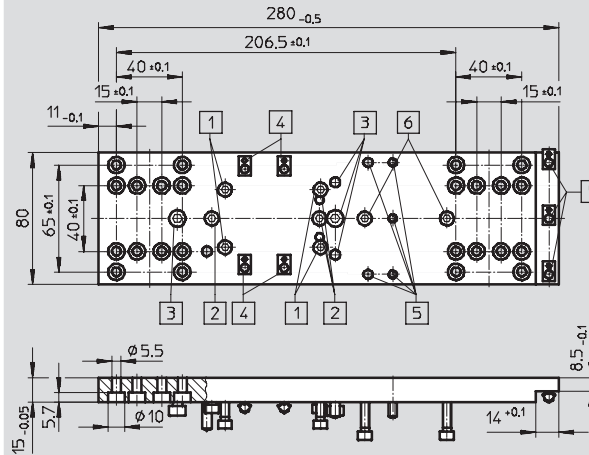
Basic kit
HMVM-LP
HMVD-LP

- For linear gantries
- For Y-axis
- For Mono and Duo systems
- Mounting interface for profiles, drives and displacement encoders
- Fastening material is included in delivery

Material:
 Anodised aluminium
 Free of copper, PTFE and silicone

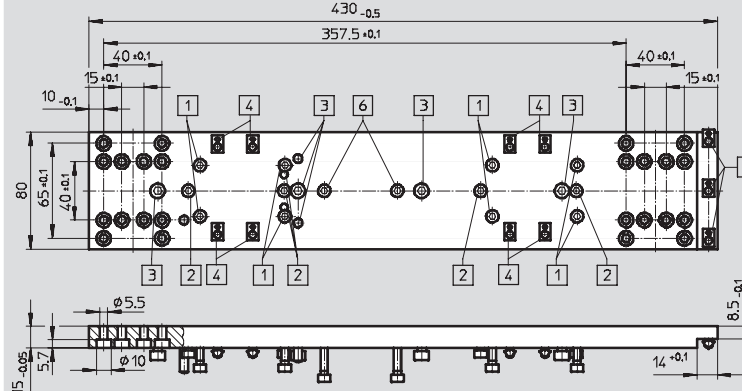


HMVM-LP-DL-25/40



- 1 MUP-18/25 (with DGE-25-...-RF, additionally HMVO-RF25)
- 2 MUC-25
- 3 MUC-40
- 4 DG...-40-...
- 5 HMIA-E05
- 6 MLO-POT-...-TLF (with DGPL-25-...-KF, additionally HMVO-POT)

HMVD-LP-DL-25/40



- 1 MUP-18/25 (with DGE-25-...-RF, additionally HMVO-RF25)
- 2 MUC-25
- 3 MUC-40
- 4 DG...-40-...
- 5 HMIA-E05
- 6 MLO-POT-...-TLF (with DGPL-25-...-KF, additionally HMVO-POT)

Technical data and ordering codes				
For system type	CRC ¹⁾	Weight [g]	Part No.	Type
Mono	2	830	539 972	HMVM-LP-DL-25/40
Duo		1320	539 971	HMVD-LP-DL-25/40

1) Corrosion resistance class 2 according to Festo standard 940 070
 Components requiring moderate corrosion resistance. Externally visible parts with primarily decorative surface requirements which are in direct contact with a normal industrial environment or media such as coolants or lubricating agents.

Connectors

Technical data



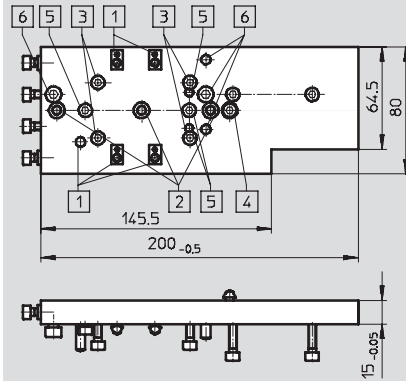
Basic kit
HMVM-RP/FP
HMVD-RP/FP



- For 3-dimensional gantries
- For Y-axis
- For Mono and Duo systems
- Mounting interface for drives
- Fastening material is included in delivery

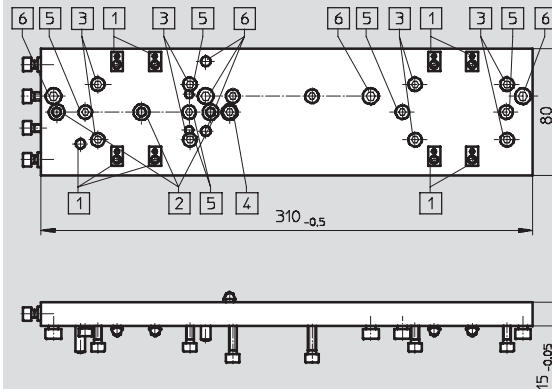
Material:
 Anodised aluminium
 Free of copper, PTFE and silicone

HMVM-RP/FP-DL-25/40



- 1 DG...-40
- 2 HMVV-RP/FP
- 3 MUP-18/25
- 4 HMIA-E07
- 5 MUC-25
- 6 MUC-40

HMVD-RP/FP-DL-25/40



- 1 DG...-40
- 2 HMVV-RP/FP
- 3 MUP-18/25
- 4 HMIA-E07
- 5 MUC-25
- 6 MUC-40

Technical data and ordering codes

For system type	CRC ¹⁾	Weight	Part No.	Type
		[g]		
Mono	2	600	539 656	HMVM-RP/FP-DL-25/40
Duo		1000	539 655	HMVD-RP/FP-DL-25/40

1) Corrosion resistance class 2 according to Festo standard 940 070
 Components requiring moderate corrosion resistance. Externally visible parts with primarily decorative surface requirements which are in direct contact with a normal industrial environment or media such as coolants or lubricating agents.

Connectors

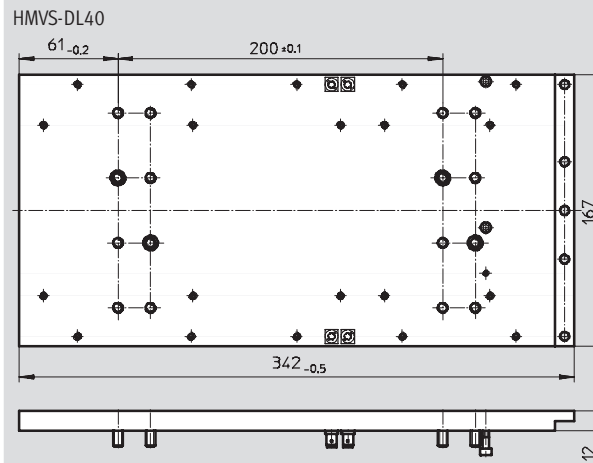
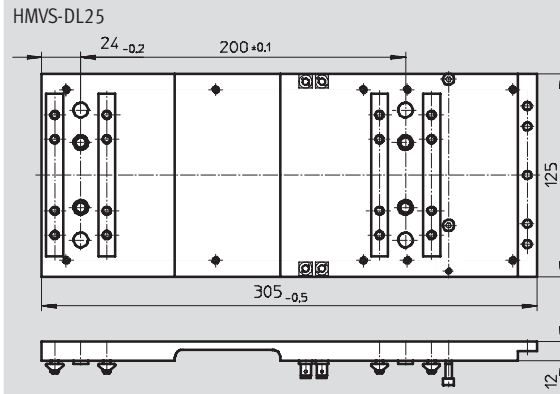
Technical data



Adapter kit HMVS-DL

- For linear and 3-dimensional gantries
- For Mono and Duo systems
- Mounting interface for basic kit HMVZ
- Fastening material and earthing kits are included in delivery

Material:
Anodised aluminium
Free of copper, PTFE and silicone



Technical data and ordering codes

CRC ¹⁾	Weight	Part No.	Type
	[g]		
2	1050	539 368	HMVS-DL25
	1800	539 369	HMVS-DL40

1) Corrosion resistance class 2 according to Festo standard 940 070
Components requiring moderate corrosion resistance. Externally visible parts with primarily decorative surface requirements which are in direct contact with a normal industrial environment or media such as coolants or lubricating agents.

Connectors

Technical data



Basic kit HMVZ



- For linear and 3-dimensional gantries
- For Z-axis

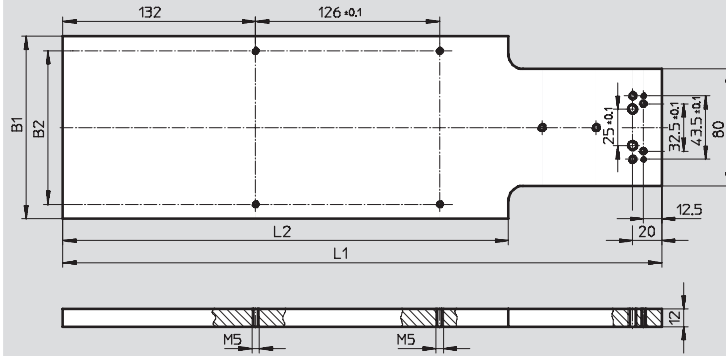
- For Mono and Duo systems
- Mounting interface for drives, installation components, etc.

Material:
Anodised aluminium
Free of copper, PTFE and silicone

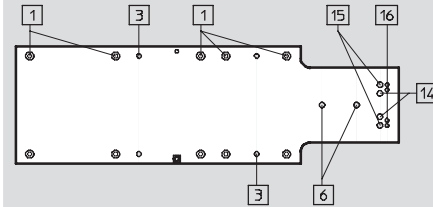
- Fastening material and earthing kits are included in delivery

- 1 HMVS-DL-25
- 2 HMVS-DL-40
- 3 Universal interface
- 4 SLT-16
- 5 SLT-20/25
- 6 HMID-LP
- 7 DGE-25/DGEA-18
- 8 HMP-16/20
- 9 HMPL-16/20
- 10 HMPL-16/20, HMPL-...-KP
- 11 DGE-40/DGEA-25
- 12 DGE-40 (profile)
- 13 HMP-25
- 14 Protective trunking
- 15 Protective trunking
- 16 MKRS-16,5/23/29-B
- 17 DGSL-16
- 18 DGSL-20/25

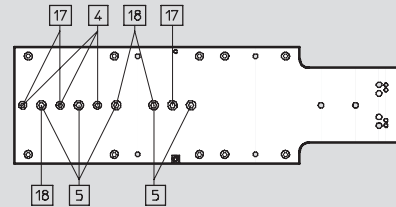
HMVZ-...



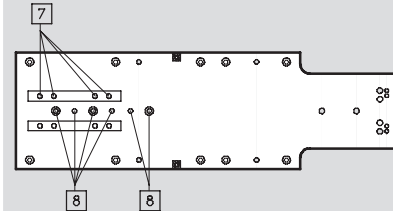
HMVZ-1



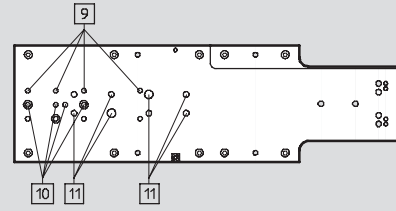
HMVZ-2



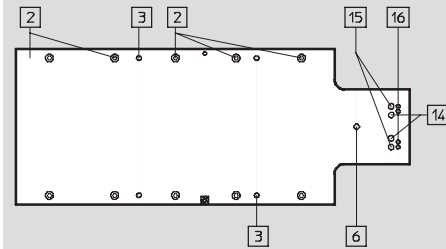
HMVZ-3



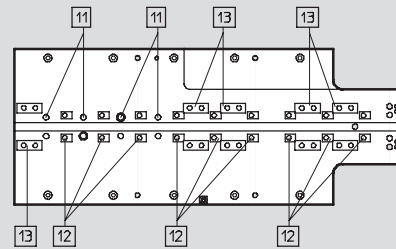
HMVZ-4



HMVZ-5



HMVZ-6



Dimensions, technical data and ordering data

B1	B2	L1	L2	CRC ¹⁾	Weight [g]	Part No.	Type
	± 0.1	- 0.5	- 0.5	2	1520	539 372	HMVZ-1
125	105	410	305		1510	539 373	HMVZ-2
					1490	539 374	HMVZ-3
167	155	422	342		1450	539 375	HMVZ-4
					2080	539 376	HMVZ-5
					1900	539 377	HMVZ-6

1) Corrosion resistance class 2 according to Festo standard 940 070
Components requiring moderate corrosion resistance. Externally visible parts with primarily decorative surface requirements which are in direct contact with a normal industrial environment or media such as coolants or lubricating agents.

Connectors

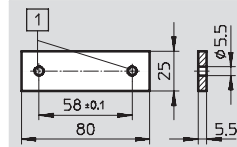
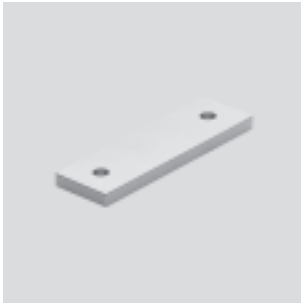
Technical data



Connecting plate HMVO-RF

- For linear gantries
- Compensating component for toothed belt axis DGE-RF for compensating the difference in height in comparison with the axes DGE-ZR-KF and DGE-SP-KF

Material:
Anodised aluminium
Free of copper, PTFE and silicone



1) HMVM-LP-DL25/40
HMVD-LP-DL25/40
MUP-18/25

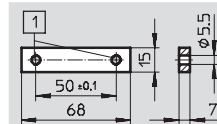
Technical data and ordering codes			
CRC ¹⁾	Weight	Part No.	Type
	[g]		
2	30	539 362	HMVO-RF25

1) Corrosion resistance class 2 according to Festo standard 940 070
Components requiring moderate corrosion resistance. Externally visible parts with primarily decorative surface requirements which are in direct contact with a normal industrial environment or media such as coolants or lubricating agents.

Connecting plate HMVO-POT

- For linear gantries
- Compensating component for displacement encoder MLO-POT-TLF for compensating the difference in height in comparison with the linear drive DGPL with MUP

Material:
Anodised aluminium
Free of copper, PTFE and silicone



1) HMVM-LP-DL25/40
HMVD-LP-DL25/40
MLO-POT-TLF

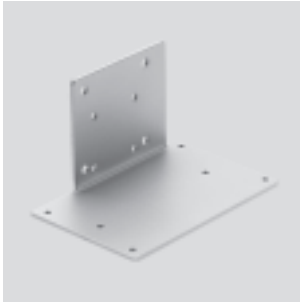
Technical data and ordering codes			
CRC ¹⁾	Weight	Part No.	Type
	[g]		
2	20	539 973	HMVO-POT

1) Corrosion resistance class 2 according to Festo standard 940 070
Components requiring moderate corrosion resistance. Externally visible parts with primarily decorative surface requirements which are in direct contact with a normal industrial environment or media such as coolants or lubricating agents.

Connectors

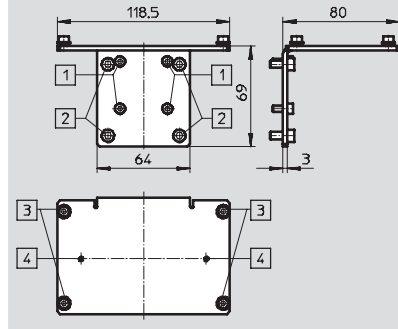
Technical data

Mounting kit HMVW-SPC



- For mounting the axis interface on the end cap of the drive
- Fastening material is included in delivery

Material:
Galvanised steel
Free of copper, PTFE and silicone



- 1 DG...-25
- 2 DG...-40
- 3 SPC11-MTS-AIF-SA
- 4 SPC-AIF-MTS

Technical data and ordering codes			
CRC ¹⁾	Weight	Part No.	Type
	[g]		
2	310	539 367	HMVW-SPC

1) Corrosion resistance class 2 according to Festo standard 940 070
Components requiring moderate corrosion resistance. Externally visible parts with primarily decorative surface requirements which are in direct contact with a normal industrial environment or media such as coolants or lubricating agents.

