

- Wide range of variants
- Sturdy
- Functional
- Versatile

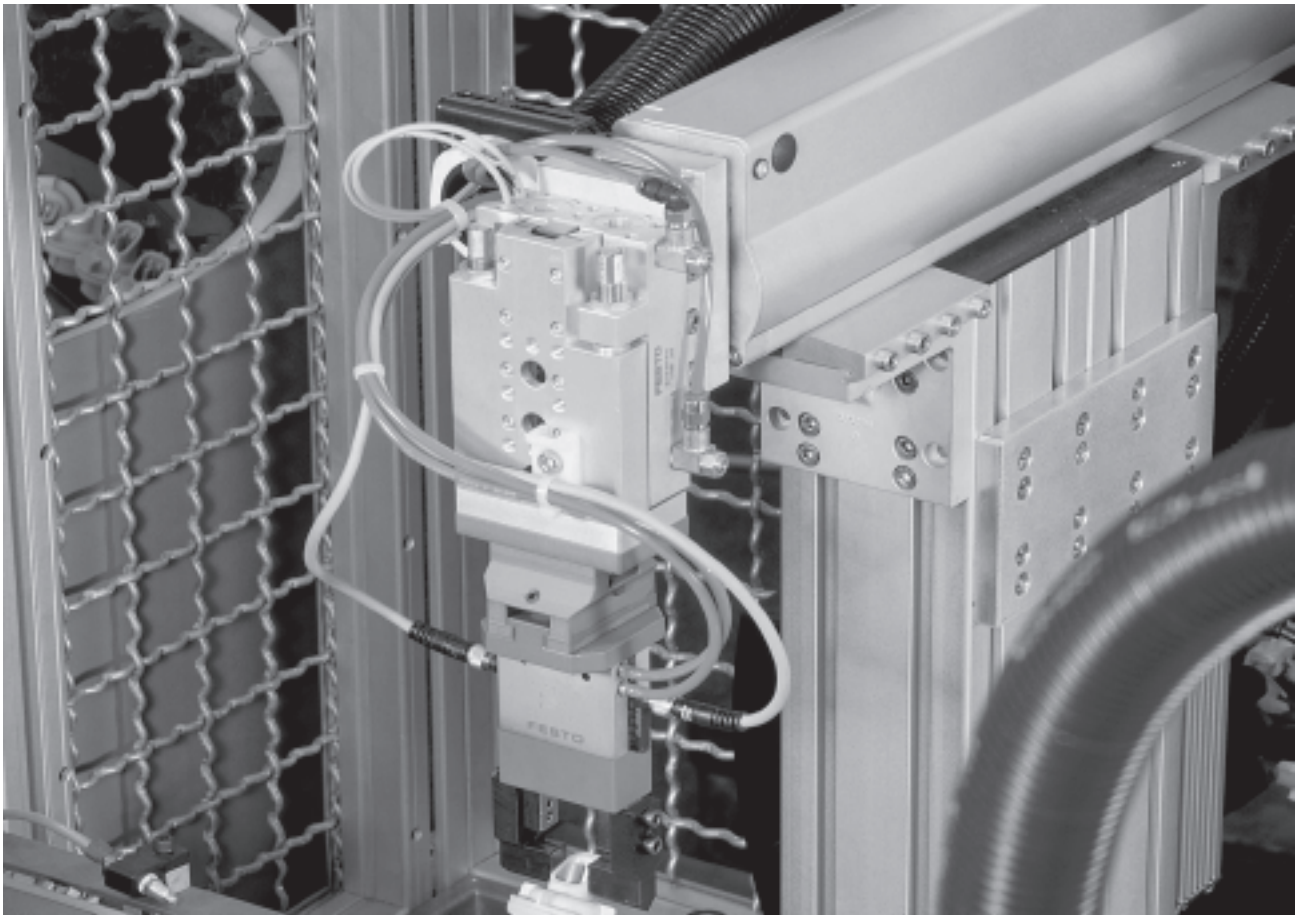
Basic components

Key features



System components
Multi-axis modular system

3.3



Basic kits

Profile column HMBS

With slot width 8 mm for mounting adapter and basic kits.

Cover cap HMBSA

For covering the end faces of profile columns HMBS.

Connecting kit HMBSV

For connecting 2 to 3 profile columns HMBS.

Angle kit HMBSW

For connecting two profile columns HMBS or profile columns with 40 mm slot width.

Base kit HMBF-DB

For direct mounting of profile columns on a base plate or on the machine rack.

Angle connector HMBWS

For connecting one profile column (with 40 mm slot width) to another profile column (with a slot width greater or smaller than 40 mm).

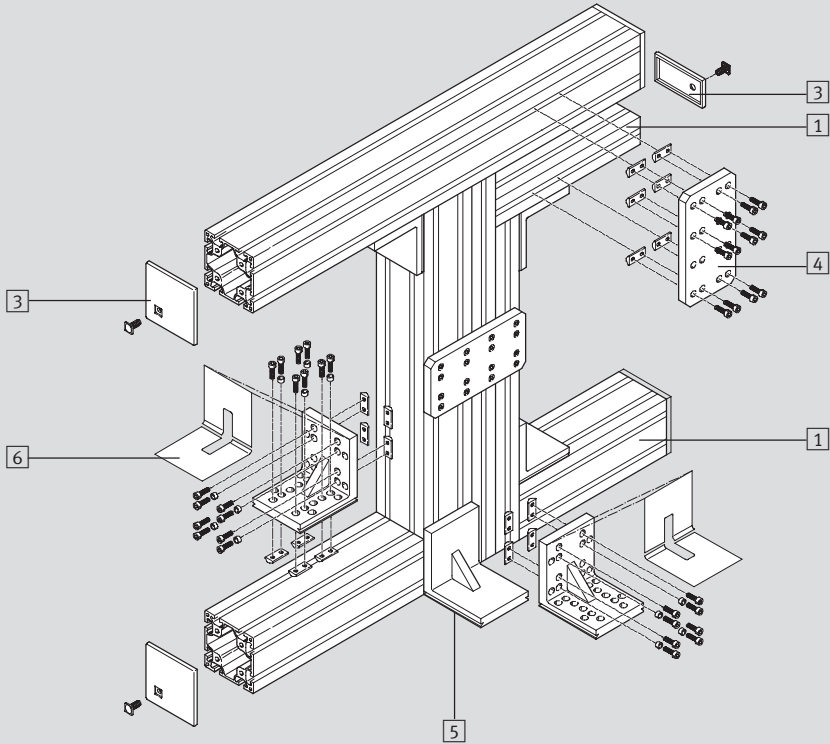
Connecting kit HMBV-ND

Interface for connecting basic components to Festo drives.

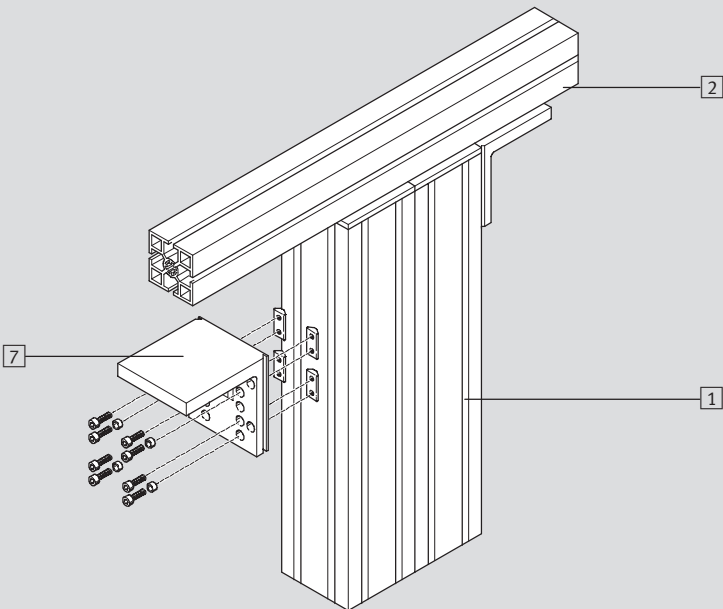
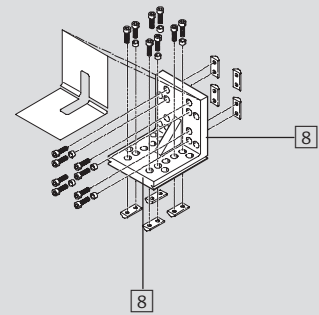
Basic components

Key features

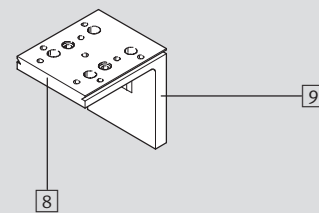
Optimum concept of multiple functionalities



6 Angle kit HMBSW



7 Angle connector HMBWS



- 1 Profile column HMBS
- 2 Bosch profile column
- 3 Cover cap HMBSA
- 4 Connecting kit HMBSV

- 5 Base kit HMBF-DB
- 6 Angle kit HMBSW
- 7 Angle connector HMBWS

- 8 Angle flange for mounting profile columns with a 40 mm hole grid pattern (Festo, item, May-Tec, Schuco, etc.)

- 9 Angle flange for mounting profile columns with a hole grid pattern for slot widths ≠ 40 mm (Bosch, Norgren, etc.)

Basic components

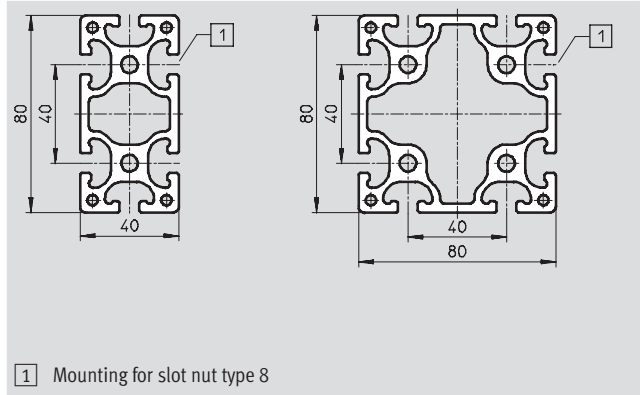
Technical data



Profile column HMBS

Scope of delivery:
1 support column

Material:
Aluminium
Free of copper, PTFE and silicone



1 Mounting for slot nut type 8

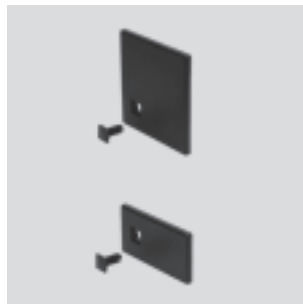
Ordering data				
Dimensions	CRC ¹⁾	Part No.	Type	PU ²⁾
80x40	2	175 964	HMBS-80/40	1
80x80		175 958	HMBS-80/80	1
Accessories (to be ordered separately)				
Slot nuts	2	186 567	HMBN-8-2M5	10

- Corrosion resistance class 2 according to Festo standard 940 070
Components requiring moderate corrosion resistance. Externally visible parts with primarily decorative surface requirements which are in direct contact with a normal industrial environment or media such as coolants or lubricating agents.
- Packaging unit quantity. With HMBS: Specify the desired length in mm ($L_{max} = 6,000$ mm).

Cover cap HMBSA

Scope of delivery:
1 cover, 1 plug

Material:
Polyacetate
Free of copper, PTFE and silicone



Ordering data				
Dimensions	CRC ¹⁾	Part No.	Type	PU ²⁾
80x40	2	175 966	HMBSA-80/40	1
80x80		175 965	HMBSA-80/80	1

- Corrosion resistance class 2 according to Festo standard 940 070
Components requiring moderate corrosion resistance. Externally visible parts with primarily decorative surface requirements which are in direct contact with a normal industrial environment or media such as coolants or lubricating agents.
- Packaging unit quantity

Basic components

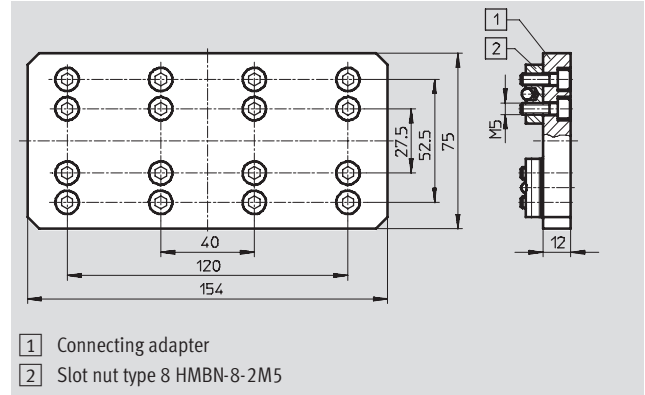
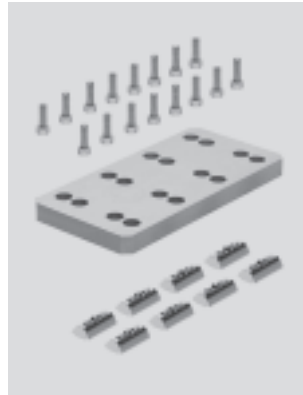
Technical data



Connecting kit HMBSV

Scope of delivery:
1 mounting plate, 16 screws, 8 slot nuts

Material:
Aluminium
Free of copper, PTFE and silicone



- 1 Connecting adapter
- 2 Slot nut type 8 HMBN-8-2M5

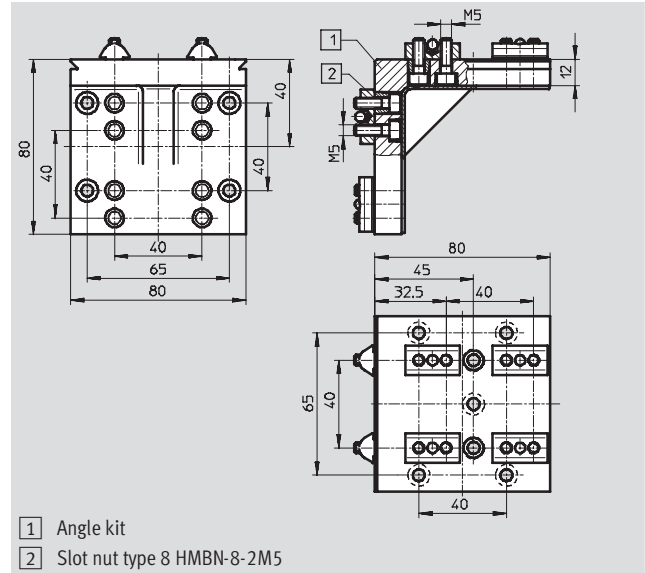
Ordering data				
	CRC ¹⁾	Part No.	Type	PU ²⁾
Connecting kit	2	175 972	HMBSV	1
Accessories (for reorder)				
Slot nuts	2	186 567	HMBN-8-2M5	10
Screws		M5x16		-

- 1) Corrosion resistance class 2 according to Festo standard 940 070
Components requiring moderate corrosion resistance. Externally visible parts with primarily decorative surface requirements which are in direct contact with a normal industrial environment or media such as coolants or lubricating agents.
- 2) Packaging unit quantity

Angle kit HMBSW

Scope of delivery:
1 bracket, 16 screws, 8 slot nuts,
8 spacer rings, 2 cover caps

Material:
Aluminium
Cover cap: Polyacetate
Free of copper, PTFE and silicone



- 1 Angle kit
- 2 Slot nut type 8 HMBN-8-2M5

Ordering data				
	CRC ¹⁾	Part No.	Type	PU ²⁾
Angle kit HMBSW	2	178 228	HMBSW	1
Accessories (for reorder)				
Slot nuts	2	186 567	HMBN-8-2M5	10
Spacer rings		186 563	HMBRD	10
Screws		M5x16		-

- 1) Corrosion resistance class 2 according to Festo standard 940 070
Components requiring moderate corrosion resistance. Externally visible parts with primarily decorative surface requirements which are in direct contact with a normal industrial environment or media such as coolants or lubricating agents.
- 2) Packaging unit quantity

Basic components

Technical data



Base kit HMBF-DB

Scope of delivery:

1 bracket, 16 screws, 4 slot nuts,
8 spacer rings, 2 cover caps

Material:

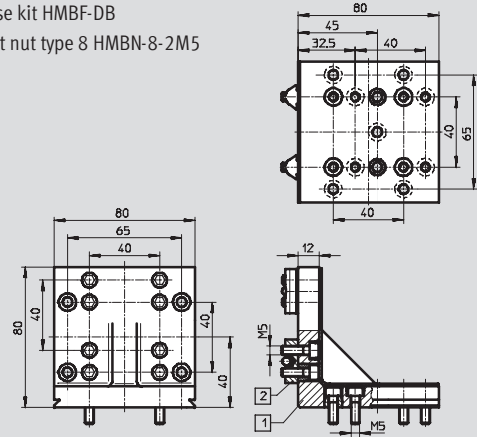
Aluminium

Cover cap: Polyacetate

Free of copper, PTFE and silicone



- 1 Base kit HMBF-DB
- 2 Slot nut type 8 HMBN-8-2M5



Ordering data				
	CRC ¹⁾	Part No.	Type	PU ²⁾
Base kit HMBF-DB	2	175 951	HMBF-DB	1
Accessories (for reorder)				
Slot nuts	2	186 567	HMBN-8-2M5	10
Spacer rings		186 563	HMBRD	10
Screws		M5x16		–

- 1) Corrosion resistance class 2 according to Festo standard 940 070
Components requiring moderate corrosion resistance. Externally visible parts with primarily decorative surface requirements which are in direct contact with a normal industrial environment or media such as coolants or lubricating agents.
- 2) Packaging unit quantity

Angle connector HMBWS

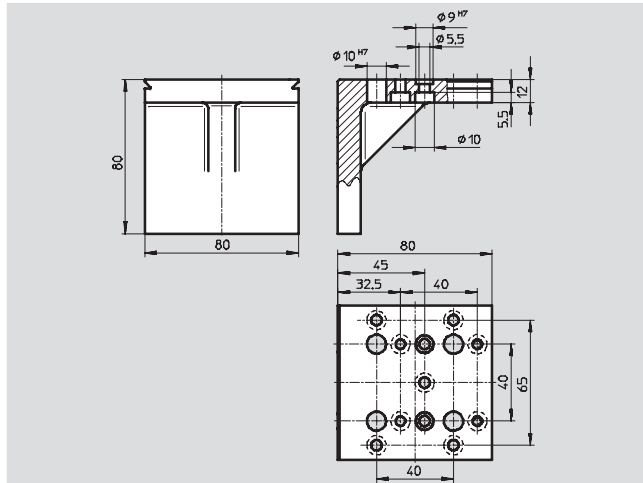
Scope of delivery:

1 bracket

Material:

Aluminium

Free of copper, PTFE and silicone



Ordering data				
	CRC ¹⁾	Part No.	Type	PU ²⁾
Angle connector HMBWS	2	189 486	HMBWS	1
Accessories (for reorder)				
Slot nuts	2	186 567	HMBN-8-2M5	10
Screws		M5x16		–

- 1) Corrosion resistance class 2 according to Festo standard 940 070
Components requiring moderate corrosion resistance. Externally visible parts with primarily decorative surface requirements which are in direct contact with a normal industrial environment or media such as coolants or lubricating agents.
- 2) Packaging unit quantity

Basic components

Technical data



Connecting kit HMBV-ND

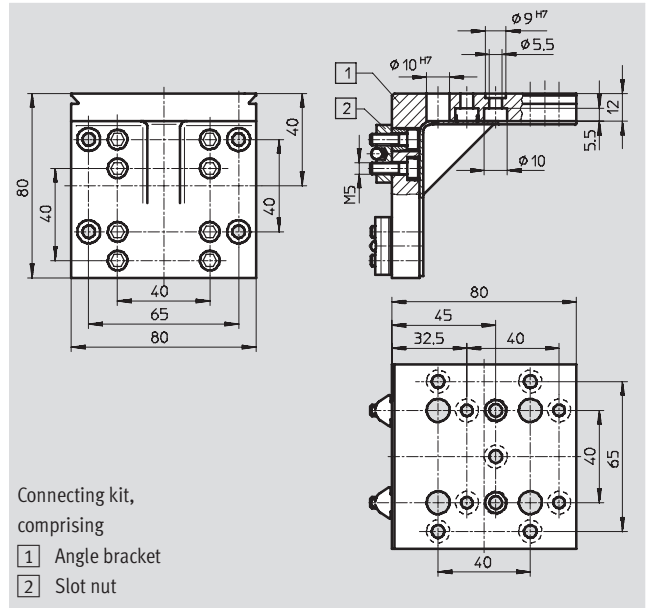
- for HMP, HMPL
- for SLT with HMBK-WS and HMSV-34 ... 37

Scope of delivery:

- 1 bracket, 8 screws, 4 slot nuts,
- 4 spacer rings, 2 cover caps

Material:

- Anodised aluminium
- Free of copper, PTFE and silicone



Ordering data				
	CRC ¹⁾	Part No.	Type	PU ²⁾
Connecting kit	2	175 967	HMBV-ND	1
Accessories (for reorder)				
Slot nuts	2	186 567	HMBN-8-2M5	10
Spacer rings		186 563	HMBRD	10
Screws		M5x16		–

1) Corrosion resistance class 2 according to Festo standard 940 070
 Components requiring moderate corrosion resistance. Externally visible parts with primarily decorative surface requirements which are in direct contact with a normal industrial environment or media such as coolants or lubricating agents.

2) Packaging unit quantity

Basic components

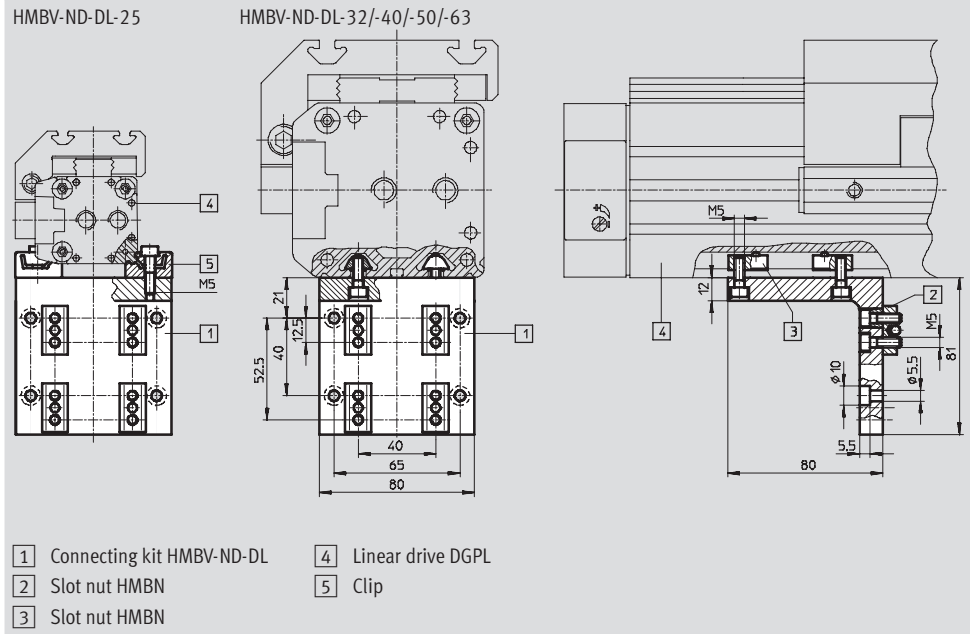
Technical data



Connecting kit HMBV-ND-DL
– for DGPL-25/-32/-40/-50/-63

Scope of delivery:
All individual parts required for mounting are included.

Material:
Anodised aluminium
Free of copper, PTFE and silicone



System components
Multi-axis modular system

3.3

Ordering data					
For Ø	CRC ¹⁾	Part No.	Type	PU ²⁾	
25	2	175 985	HMBV-ND-DL25	1	
32		175 988	HMBV-ND-DL32	1	
40		175 991	HMBV-ND-DL40	1	
50		175 994	HMBV-ND-DL50	1	
63		175 997	HMBV-ND-DL63	1	

- 1) Corrosion resistance class 2 according to Festo standard 940 070
Components requiring moderate corrosion resistance. Externally visible parts with primarily decorative surface requirements which are in direct contact with a normal industrial environment or media such as coolants or lubricating agents.
- 2) Packaging unit quantity

Ordering data – Accessories (for reorder)											
For Ø	25	32	40	50	63	CRC ¹⁾	Part No.	Type	PU ²⁾		
Slot nut	–	4	4	–	–	2	189 654	HMBN-5-M5	10		
	–	–	–	4	4		189 655	HMBN-8-M5	10		
	4	4	4	4	4		186 566	HMBN-8-2M5	10		
Spacer rings	4	4	4	4	4		186 563	HMBRD	10		
Central support	2	–	–	–	–		150 736	MUP-18/25	2		
Screws	8	12	12	4	4		–	M5x16	–		
	4	–	–	–	–		–	M5x20	–		

- 1) Corrosion resistance class 2 according to Festo standard 940 070
Components requiring moderate corrosion resistance. Externally visible parts with primarily decorative surface requirements which are in direct contact with a normal industrial environment or media such as coolants or lubricating agents.
- 2) Packaging unit quantity

Basic components

Technical data

FESTO

Combination options – Slot nuts/drives, profile column					
Drives		Slot nuts			
		HMBN-5-M5	HMBN-5-2M5	HMBN-8-M5	HMBN-8-2M5
Linear module HMP					
∅	16 ... 32	-	■	-	-
Linear drive DGPL, profile barrel					
∅	32	■	-	-	-
	40	■	-	-	-
	50	-	-	■	■
	63	-	-	■	■
Linear drive DGPL-HD, profile barrel at side					
∅	18	■	-	-	-
	25	■	-	-	-
	40	-	-	■	■
Linear drive DGPL-HD, profile barrel underneath					
∅	18	■	-	-	-
	25	-	-	■	■
	40	-	-	■	■
Profile column HMBS					
Dimensions	80x40	-	-	■	■
	80x80	-	-	■	■

Basic components

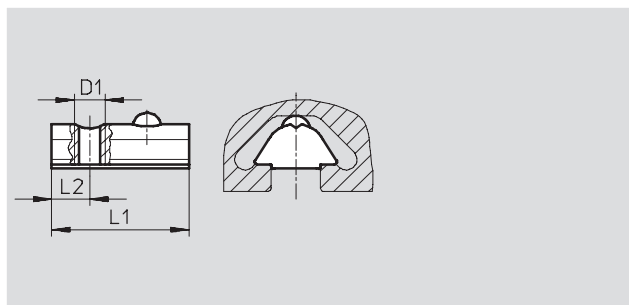
Technical data

System components
Multi-axis modular system

3.3

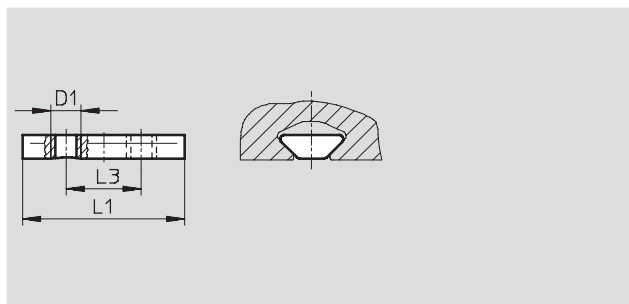
Slot nut HMBN-5-M5

Material:
Tempered steel, non-alloyed
Free of copper, PTFE and silicone



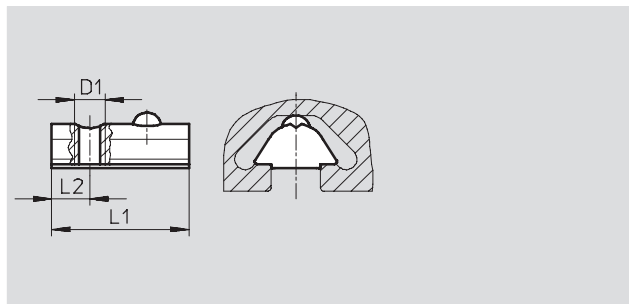
Slot nut HMBN-5-2M5

Material:
Tempered steel, non-alloyed
Free of copper, PTFE and silicone



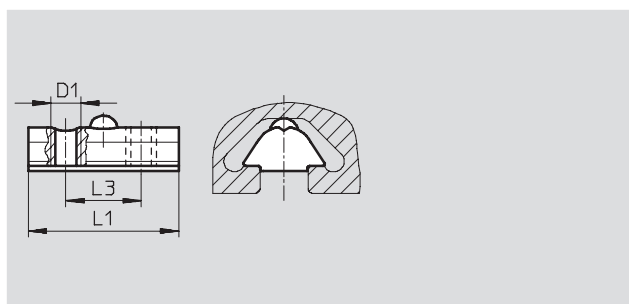
Slot nut HMBN-8-M5

Material:
Tempered steel, non-alloyed
Free of copper, PTFE and silicone



Slot nut HMBN-8-2M5

Material:
Tempered steel, non-alloyed
Free of copper, PTFE and silicone



Dimensions and ordering data							
D1	L1	L2	L3	CRC ¹⁾	Part No.	Type	PJ ²⁾
M5	12	4	–	2	189 654	HMBN-5-M5	10
	27	–	12.5		186 566	HMBN-5-2M5	10
	22.5	6.25	–		189 655	HMBN-8-M5	10
	25	–	12.5		186 567	HMBN-8-2M5	10

1) Corrosion resistance class 2 according to Festo standard 940 070
Components requiring moderate corrosion resistance. Externally visible parts with primarily decorative surface requirements which are in direct contact with a normal industrial environment or media such as coolants or lubricating agents.

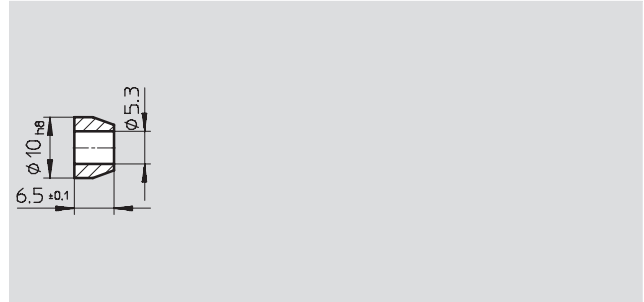
2) Packaging unit quantity

Basic components

Technical data

Spacer ring HMBRD

Material:
Steel, corrosion-resistant
Free of copper, PTFE and silicone

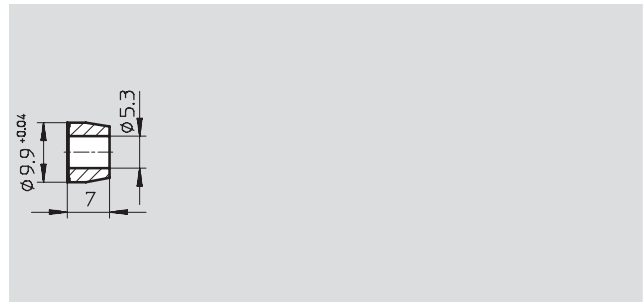


Ordering data			
CRC ¹⁾	Part No.	Type	PJU ²⁾
2	186 563	HMBRD	10

- Corrosion resistance class 2 according to Festo standard 940 070
Components requiring moderate corrosion resistance. Externally visible parts with primarily decorative surface requirements which are in direct contact with a normal industrial environment or media such as coolants or lubricating agents.
- Packaging unit quantity

Cutting ring HMBRS

Material:
Steel, corrosion-resistant
Free of copper, PTFE and silicone



Ordering data			
CRC ¹⁾	Part No.	Type	PJU ²⁾
2	186 564	HMBRS	10

- Corrosion resistance class 2 according to Festo standard 940 070
Components requiring moderate corrosion resistance. Externally visible parts with primarily decorative surface requirements which are in direct contact with a normal industrial environment or media such as coolants or lubricating agents.
- Packaging unit quantity

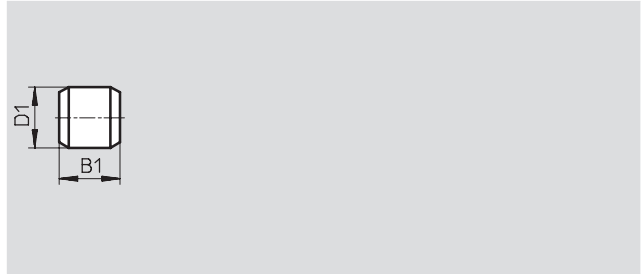
Basic components

Technical data



Centring pin ZBS

Material:
Steel, corrosion-resistant
Free of copper, PTFE and silicone

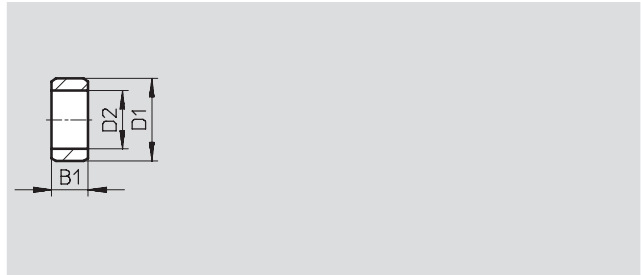


Dimensions and ordering data					
B1	D1	CRC ¹⁾	Part No.	Type	PU ²⁾
-0.2	∅ h8				
5	2	2	525 273	ZBS-02	10
5	5	2	150 928	ZBS-5	10

- 1) Corrosion resistance class 2 according to Festo standard 940 070
Components requiring moderate corrosion resistance. Externally visible parts with primarily decorative surface requirements which are in direct contact with a normal industrial environment or media such as coolants or lubricating agents.
- 2) Packaging unit quantity

Centring sleeve ZBH

Material:
Steel, corrosion-resistant
Free of copper, PTFE and silicone



Dimensions and ordering data						
B1	D1	D2	CRC ¹⁾	Part No.	Type	PU ²⁾
-0.2	∅ h7	∅				
2.4	5	3.2	2	189 652	ZBH-5	10
3	7	5.3	2	186 717	ZBH-7	10
4	9	6.4	2	150 927	ZBH-9	10
5	12	10.3 +0.1	2	189 653	ZBH-12	10

- 1) Corrosion resistance class 2 according to Festo standard 940 070
Components requiring moderate corrosion resistance. Externally visible parts with primarily decorative surface requirements which are in direct contact with a normal industrial environment or media such as coolants or lubricating agents.
- 2) Packaging unit quantity

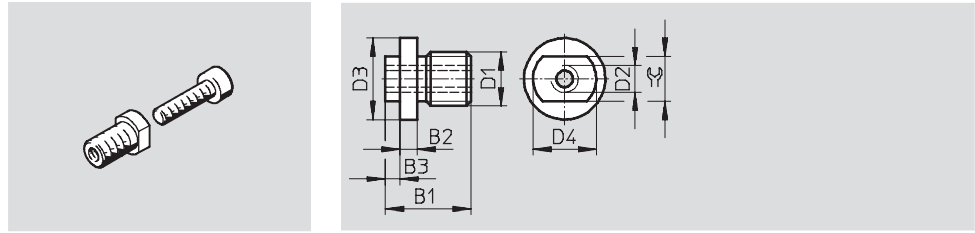
Basic components

Technical data



Connector sleeve ZBV-M...

Material:
Steel, corrosion-resistant
Free of copper, PTFE and silicone



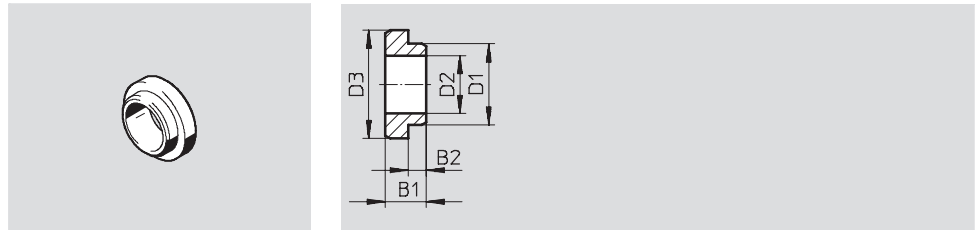
Dimensions and ordering data							
B1	B2	B3	D1	D2	D3 ∅ h7	D4 ∅ h7	⊕
8.7	1.4 ^{+0.1}	1.3±0.05	M4	M2.5	7	5	4
11	-	3 ^{+0.1}	M5	M3	-	7	5.5
9.5	1.9 ^{+0.1}	1.6±0.05	M6	M3	9	7	5

CRC ¹⁾	Part No.	Type	PU ²⁾
2	548 802	ZBV-M4-7	10
2	548 803	ZBV-M5-7	10
2	548 804	ZBV-M5-9	10

- 1) Corrosion resistance class 2 according to Festo standard 940 070
Components requiring moderate corrosion resistance. Externally visible parts with primarily decorative surface requirements which are in direct contact with a normal industrial environment or media such as coolants or lubricating agents.
- 2) Packaging unit quantity

Connector sleeve ZBV

Material:
Steel, corrosion-resistant
Free of copper, PTFE and silicone



Dimensions and ordering data								
B1	B2	D1 ∅ h7	D2 ∅ h7	D3 ∅ H13	CRC ¹⁾	Part No.	Type	PU ²⁾
3.4	1.5±0.05	7	9	5.5	2	548 805	ZBV-9-7	10
4.5	2 _{-0.1}	9	12	6.4	2	548 806	ZBV-12-9	10

- 1) Corrosion resistance class 2 according to Festo standard 940 070
Components requiring moderate corrosion resistance. Externally visible parts with primarily decorative surface requirements which are in direct contact with a normal industrial environment or media such as coolants or lubricating agents.
- 2) Packaging unit quantity

Basic components

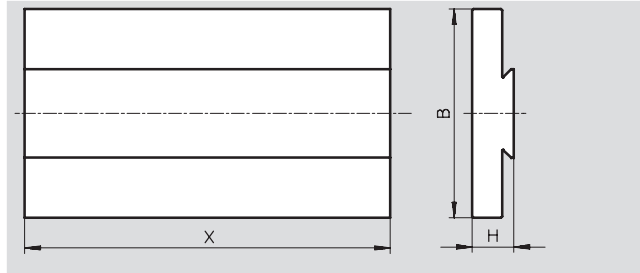
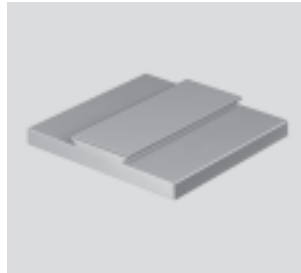
Technical data



Adapter plate HMAV-...-X

Universal dovetail profile for attaching a base or mounting plate to linear modules HMP or HMPL

Material:
Anodised aluminium
Free of copper, PTFE and silicone

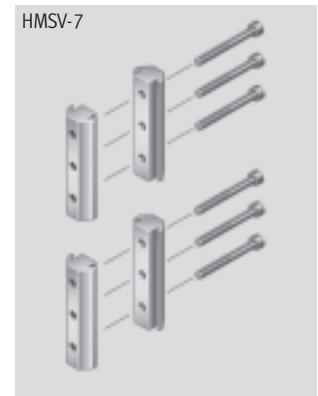
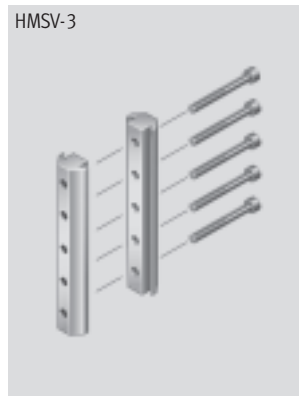
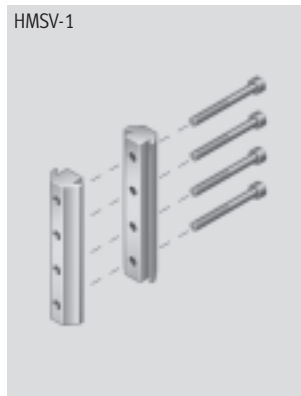


Dimensions and ordering data						
H	B	X ¹⁾	CRC ²⁾	Part No.	Type	PJ ³⁾
16	80		2	189 451	HMAV-80-X	1
13	90		2	189 450	HMAV-90-X	1

- 1) The length in mm must be quoted in the order.
- 2) Corrosion resistance class 2 according to Festo standard 940 070
Components requiring moderate corrosion resistance. Externally visible parts with primarily decorative surface requirements which are in direct contact with a normal industrial environment or media such as coolants or lubricating agents.
- 3) Packaging unit quantity

Adapter kit HMSV

Material:
Anodised aluminium
Free of copper, PTFE and silicone



Dimensions and ordering data				
Length	CRC ¹⁾	Part No.	Type	PJ ²⁾
80	2	177 647	HMSV-1	1
100	2	177 649	HMSV-3	1
2x 60	2	177 653	HMSV-7	1

- 1) Corrosion resistance class 2 according to Festo standard 940 070
Components requiring moderate corrosion resistance. Externally visible parts with primarily decorative surface requirements which are in direct contact with a normal industrial environment or media such as coolants or lubricating agents.
- 2) Packaging unit quantity