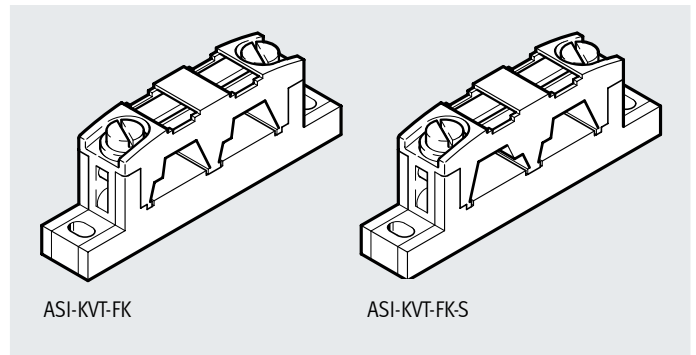


Data sheet

Cable distributor ASI-KVT-FK

- Flat cable distributor for branching the AS-Interface network at any desired point
- For parallel or symmetrical cable installation
- Reverse polarity protected



ASI-KVT-FK

ASI-KVT-FK-S

General technical data

Mounting position		Any
Type of mounting		Via through-hole
Operating voltage range	[V AC]	0 ... 60
	[V DC]	0 ... 75
Current rating	[A]	3
Connection type		Insulation displacement technology
Connection cross section	[mm ²]	1.5
Degree of protection		IP65 (fully assembled)
Product weight	[g]	7.2

Materials

Housing		PA
Pin contacts		Bronze

Operating and environmental conditions

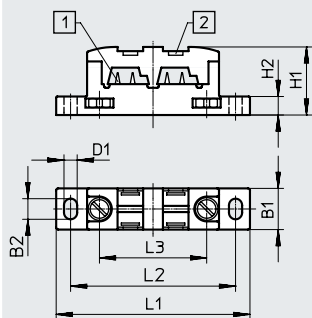
Ambient temperature with flexible cable installation	[°C]	-5 ... +50
Storage temperature	[°C]	-30 ... +85

Data sheet

Dimensions

Download CAD data → www.festo.com

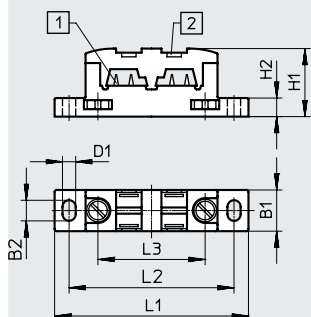
ASI-KVT-FK



- [1] Contact pins for flat cable contacting
- [2] Mounting option for inscription labels IBS-6x10

Type	B1	B2	D1	H1	H2	L1	L2	L3
ASI-KVT-FK	10	5	3.2	16.5	4.5	47	40	26

ASI-KVT-FK-S



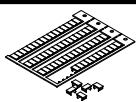
- [1] Contact pins for flat cable contacting
- [2] Mounting option for inscription labels IBS-6x10

Type	B1	B2	D1	H1	H2	L1	L2	L3
ASI-KVT-FK-S	10	5	3.2	16.5	4.5	47	40	26

Ordering data

	Part no.	Type
Parallel cable throughfeed	18786	ASI-KVT-FK
Symmetrical cable throughfeed	18797	ASI-KVT-FK-S

Ordering data – Accessories

	Description	Part no.	Type
	Inscription labels 6x10 mm, 64 pieces, in frame	18576	IBS-6x10