



- Compact
- Functional
- Multiple variants
- Versatile

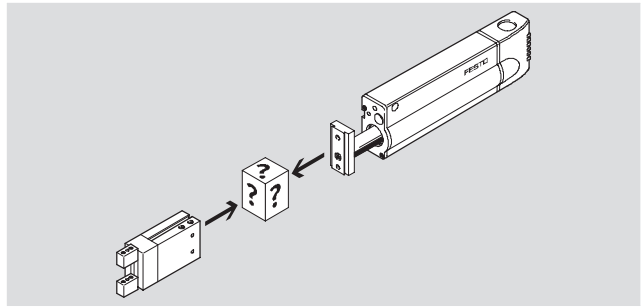
Drive/gripper combinations

Selection aid



Adapter kits provide a fast and simple connection between Festo grippers and drives.

The scope of delivery includes the necessary accessories such as bolts, centring discs, sleeves or pins and nuts.



| Possible combinations | | | | | |
|-------------------------------|--------------|--------------|--------------|--------------|--------------|
| | HMP, HME | HMPL | DGSL | SLT, SLTE | DGPL/DGE-KF |
| | | | | | |
| 2-jaw parallel gripper | | | | | |
| HGPT | → 5 / 3.2-46 | → 5 / 3.2-58 | → 5 / 3.2-65 | → 5 / 3.2-71 | – |
| HGPL | → 5 / 3.2-47 | → 5 / 3.2-59 | → 5 / 3.2-66 | → 5 / 3.2-72 | → 5 / 3.2-77 |
| HGPP | → 5 / 3.2-48 | → 5 / 3.2-60 | → 5 / 3.2-67 | → 5 / 3.2-73 | → 5 / 3.2-78 |
| HGP | → 5 / 3.2-52 | → 5 / 3.2-61 | → 5 / 3.2-68 | → 5 / 3.2-74 | → 5 / 3.2-82 |
| HGPC | → 5 / 3.2-54 | → 5 / 3.2-62 | → 5 / 3.2-69 | → 5 / 3.2-75 | – |
| HGPM | – | – | – | – | – |
| 3-jaw parallel gripper | | | | | |
| HGDT | → 5 / 3.2-55 | → 5 / 3.2-63 | → 5 / 3.2-70 | → 5 / 3.2-76 | – |
| HGD | → 5 / 3.2-50 | → 5 / 3.2-61 | – | – | → 5 / 3.2-80 |

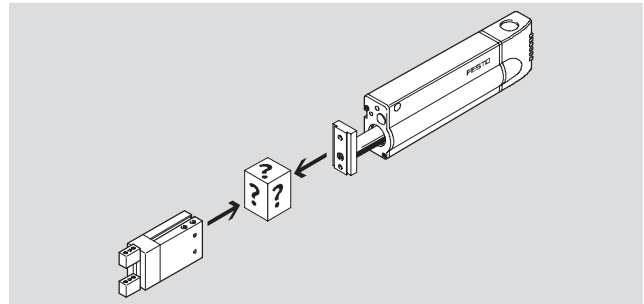
Drive/gripper combinations









Selection aid



Adapter kits provide a fast and simple connection between Festo grippers and drives.

The scope of delivery includes the necessary accessories such as bolts, centring discs, sleeves or pins and nuts.



| Possible combinations | | | | | |
|--|--------------|--------------|--------------|--------------|---------------|
| | DGEA | DRQD | DSL...-KF | DSM | DPZ |
| 2-jaw parallel gripper | | | | | |
| HGPT  | - | → 5 / 3.2-85 | - | - | - |
| HGPL  | → 5 / 3.2-77 | → 5 / 3.2-86 | - | - | - |
| HGPP  | → 5 / 3.2-78 | → 5 / 3.2-88 | → 5 / 3.2-96 | → 5 / 3.2-96 | - |
| HGP  | → 5 / 3.2-82 | → 5 / 3.2-90 | → 5 / 3.2-98 | → 5 / 3.2-98 | → 5 / 3.2-100 |
| HGPC  | - | → 5 / 3.2-93 | - | - | - |
| HGPM  | - | → 5 / 3.2-94 | - | - | - |
| 3-jaw parallel gripper | | | | | |
| HGDT  | - | → 5 / 3.2-95 | - | - | - |
| HGD  | → 5 / 3.2-80 | → 5 / 3.2-90 | → 5 / 3.2-90 | → 5 / 3.2-90 | - |

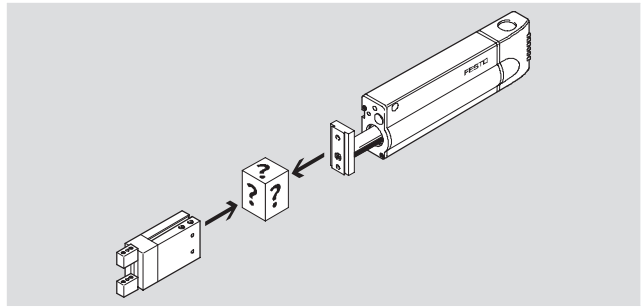
Drive/gripper combinations

Selection aid



Adapter kits provide a fast and simple connection between Festo grippers and drives.

The scope of delivery includes the necessary accessories such as bolts, centring discs, sleeves or pins and nuts.



System components
Adapters
3.2

| Possible combinations | | | | | |
|----------------------------|--------------|--------------|--------------|--------------|--------------|
| | HMP, HME | HMPL | DGSL | SLT, SLTE | DGPL/DGE-KF |
| | | | | | |
| 2-jaw angle gripper | | | | | |
| HGW | → 5 / 3.2-52 | → 5 / 3.2-61 | → 5 / 3.2-68 | → 5 / 3.2-74 | → 5 / 3.2-82 |
| HGR | → 5 / 3.2-52 | → 5 / 3.2-61 | → 5 / 3.2-68 | → 5 / 3.2-74 | → 5 / 3.2-82 |
| HGWM | - | - | - | - | - |
| Swivel/gripper unit | | | | | |
| HGDS | → 5 / 3.2-56 | → 5 / 3.2-64 | - | - | → 5 / 3.2-84 |

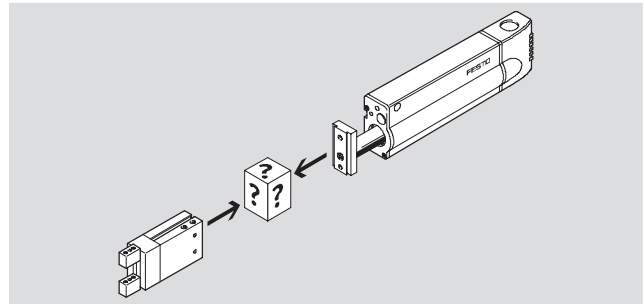
Drive/gripper combinations





Selection aid



Adapter kits provide a fast and simple connection between Festo grippers and drives.

The scope of delivery includes the necessary accessories such as bolts, centring discs, sleeves or pins and nuts.



| Possible combinations | | | | | |
|--|--------------|--------------|--------------|--------------|---------------|
| | DGEA | DRQD | DSL...-KF | DSM | DPZ |
| 2-jaw angle gripper | | | | | |
| HGW  | → 5 / 3.2-82 | → 5 / 3.2-90 | → 5 / 3.2-98 | → 5 / 3.2-98 | → 5 / 3.2-100 |
| HGR  | → 5 / 3.2-82 | → 5 / 3.2-90 | → 5 / 3.2-98 | → 5 / 3.2-98 | → 5 / 3.2-100 |
| HGWM  | - | → 5 / 3.2-94 | - | - | - |
| Swivel/gripper unit | | | | | |
| HGDS  | → 5 / 3.2-84 | - | - | - | - |

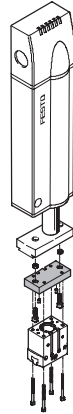
HMP, HME/HGPT combination

Technical data



Adapter kit HAPG

Material:
Wrought aluminium alloy, anodised
Centring pins/sleeves: High-alloy steel
Free of copper, PTFE and silicone



HMP, HME

HAPG

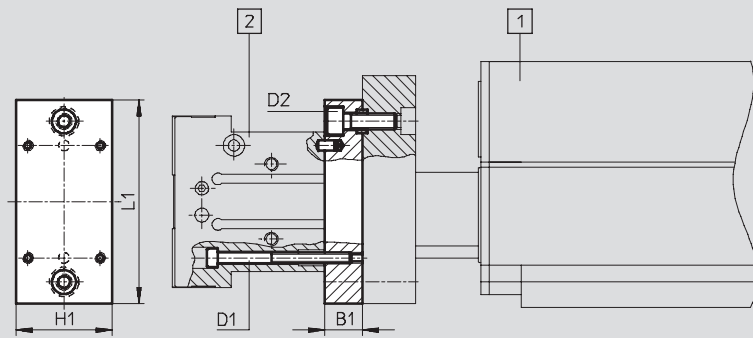
HGPT

Direct mounting

Dimensions and ordering data

Download CAD data → www.festo.com/en/engineering

Direct mounting



1 Drive
2 Gripper

| Drive | Gripper | B1 | D1 | D2 | H1 | L1 | Part No. | Type |
|------------------------------------|---------|----|----|----|----|-------|----------|---------|
| HMP/HME-16 ¹⁾ | HGPT-25 | 14 | M4 | M5 | 36 | 76 | 537 178 | HAPG-81 |
| HMP-20 HMP/HME-25 ¹⁾ | HGPT-35 | 12 | M4 | M6 | 54 | 100 | 537 172 | HAPG-77 |
| HMP-20 HMP/HME-25 ¹⁾ | HGPT-40 | 12 | M6 | M6 | 80 | 88.5 | 537 182 | HAPG-84 |
| HMP/HME-25 ¹⁾ HMP-32 | HGPT-50 | 15 | M6 | M6 | 60 | 110 | 537 185 | HAPG-86 |
| HMP-32 | HGPT-63 | 15 | M4 | M6 | 72 | 131.5 | 537 187 | HAPG-87 |

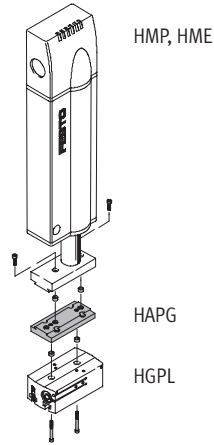
1) HME: Horizontal mounting position, vertical on request

HMP, HME/HGPL combination

Technical data

Adapter kit HAPG

Material:
Wrought aluminium alloy, anodised
Centring sleeves: High-alloy steel
Free of copper, PTFE and silicone

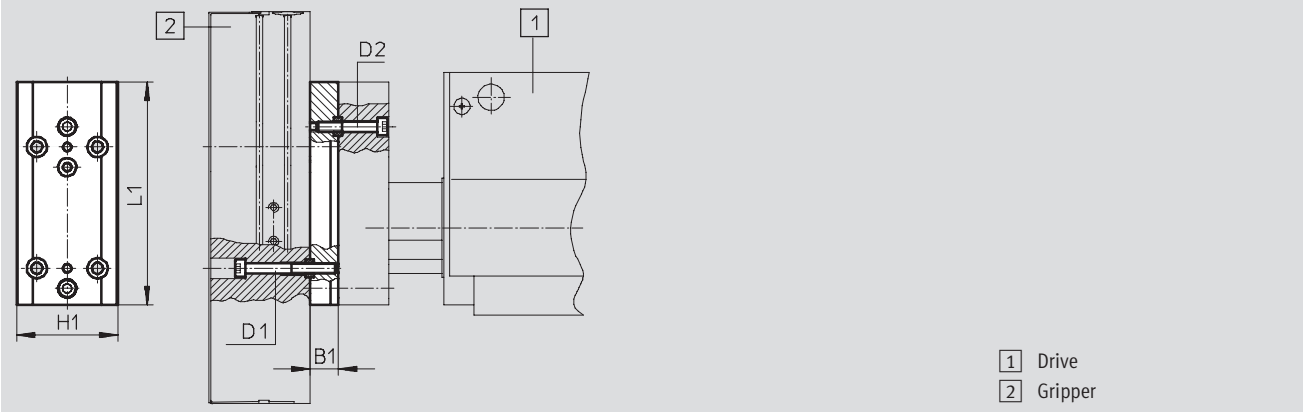


Direct mounting

Dimensions and ordering data

Download CAD data → www.festo.com/en/engineering

Direct mounting



- 1 Drive
- 2 Gripper

| Drive | Gripper | B1 | D1 | D2 | H1 | L1 | Part No. | Type |
|------------------------------------|---------|----|----|----|----|-----|----------|------------------------------|
| HMP/HME-16 ¹⁾ HMP-20 | HGPL-14 | - | - | - | - | - | - | 2x M5x25 DIN 912 2x ZBH-9 |
| HMP-20 HMP/HME-25 ¹⁾ | HGPL-25 | 14 | M5 | M5 | 50 | 110 | 539 887 | HAPG-92 |
| HMP/HME-25 ¹⁾ HMP-32 | HGPL-40 | 20 | M8 | M5 | 60 | 120 | 537 312 | HAPG-SD2-30 |

1) HME: Horizontal mounting position, vertical on request

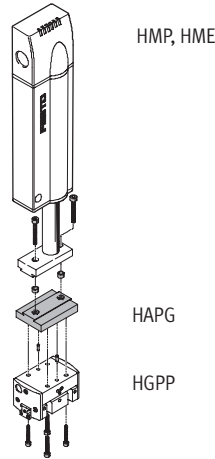
HMP, HME/HGPP combination

Technical data

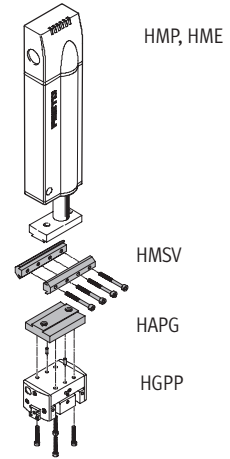


Adapter kit HAPG, HMSV

Material:
Wrought aluminium alloy, anodised
Centring pins/sleeves: High-alloy steel
Free of copper, PTFE and silicone



Direct mounting

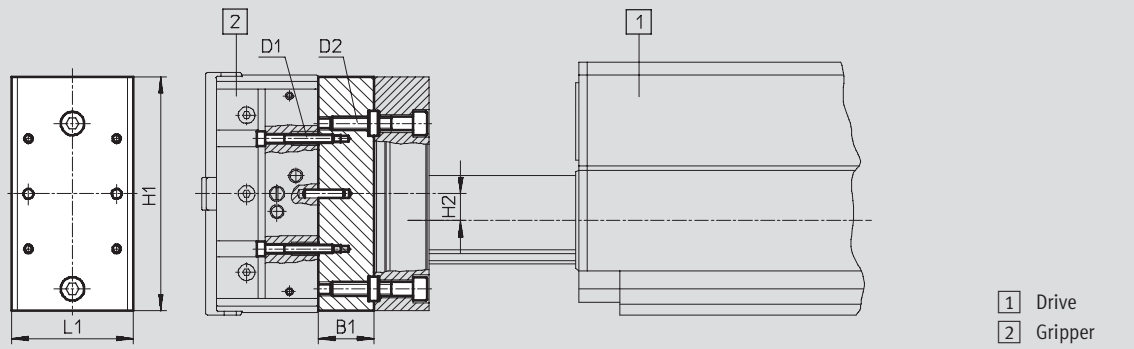


Dovetail mounting

Dimensions and ordering data

Download CAD data → www.festo.com/en/engineering

Direct mounting



| Drive | Gripper | B1 | D1 | D2 | H1 | H2 | L1 | Part No. | Type |
|------------------------------------|---------|----|----|----|-------|-----|----|----------|---------|
| HMP/HME-16 ¹⁾ | HGPP-12 | 20 | M3 | M5 | 85 | 9.5 | 44 | 191 262 | HAPG-44 |
| HMP/HME-16 ¹⁾ | HGPP-16 | 20 | M3 | M5 | 85 | 9.5 | 44 | 191 263 | HAPG-45 |
| HMP-20 HMP/HME-25 ¹⁾ | HGPP-16 | 20 | M3 | M5 | 100.4 | 4.7 | 51 | 191 264 | HAPG-46 |
| HMP/HME-25 ¹⁾ | HGPP-20 | 12 | M4 | M5 | 110 | 7 | 50 | 191 265 | HAPG-47 |
| HMP/HME-25 ¹⁾ | HGPP-25 | 18 | M5 | M5 | 110 | – | 60 | 529 019 | HAPG-59 |
| HMP-32 | HGPP-32 | 18 | M5 | M5 | 133 | – | 60 | 529 020 | HAPG-61 |

1) HME: Horizontal mounting position, vertical on request

HMP, HME/HGPP combination

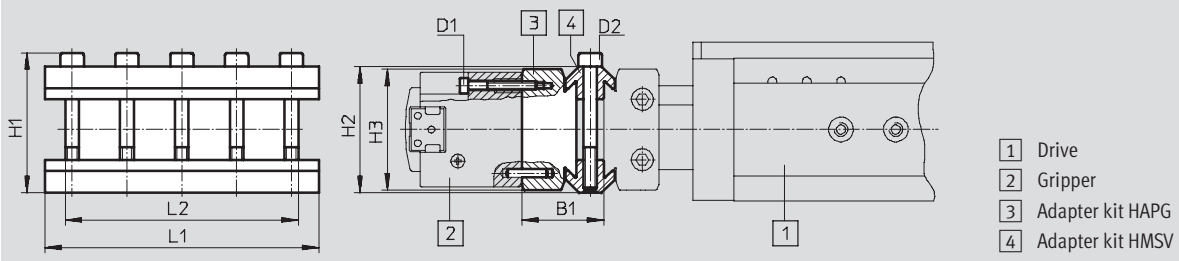
Technical data



Dimensions and ordering data

Download CAD data → www.festo.com/en/engineering

Dovetail mounting



| Drive | Gripper | B1 | D1 | D2 | H1 | H2 | H3 | L1 | L2 | Part No. | Type |
|------------------------------------|---------|----|----|----|----|----|----|-----|-------|----------|---------|
| HMP/HME-16 ¹⁾ | HGPP-12 | 30 | M3 | M5 | 51 | 46 | 44 | 100 | 85 | 191 262 | HAPG-44 |
| | | | | | | | | | | 177 649 | HMSV-3 |
| HMP/HME-16 ¹⁾ | HGPP-16 | 30 | M3 | M5 | 51 | 46 | 44 | 100 | 85 | 191 263 | HAPG-45 |
| | | | | | | | | | | 177 649 | HMSV-3 |
| HMP-20 HMP/HME-25 ¹⁾ | HGPP-16 | 30 | M3 | M5 | 51 | 46 | 51 | 120 | 100.4 | 191 264 | HAPG-46 |
| | | | | | | | | | | 177 653 | HMSV-7 |
| HMP/HME-25 ¹⁾ | HGPP-20 | 22 | M4 | M5 | 51 | 46 | 50 | 120 | 110 | 191 265 | HAPG-47 |
| | | | | | | | | | | 177 653 | HMSV-7 |
| HMP/HME-25 ¹⁾ | HGPP-25 | 28 | M5 | M5 | 51 | 46 | 60 | 120 | 110 | 529 019 | HAPG-59 |
| | | | | | | | | | | 177 653 | HMSV-7 |
| HMP-32 | HGPP-32 | 28 | M5 | M5 | 51 | 46 | 60 | 120 | 133 | 529 020 | HAPG-61 |
| | | | | | | | | | | 177 653 | HMSV-7 |

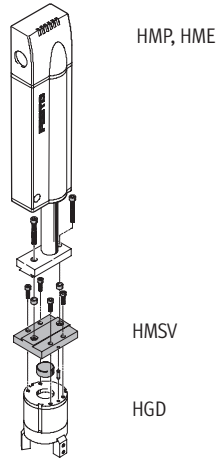
HMP, HME/HGD combination

Technical data

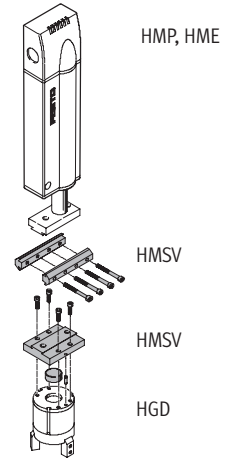


Adapter kit HMSV

Material:
Wrought aluminium alloy, anodised
Centring pins/sleeves: High-alloy steel
Free of copper, PTFE and silicone



Direct mounting

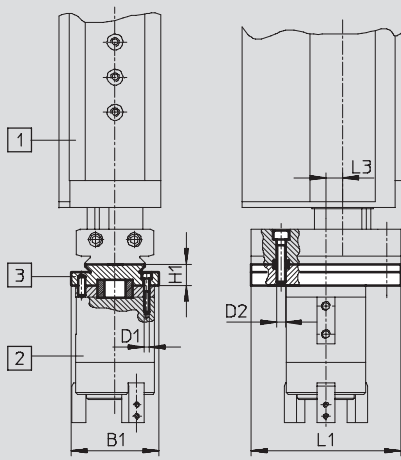


Dovetail mounting

Dimensions and ordering data

Download CAD data → www.festo.com/en/engineering

Direct mounting



- 1 Drive
- 2 Gripper
- 3 Adapter plate HMSV

| Drive | Gripper | B1 | D1 | D2 | L1 | H1 | L3 | Part No. | Type |
|--------------------------|---------|----|----|----|-----|----|-----|----------|---------|
| HMP/HME-16 ¹⁾ | HGD-32 | 50 | M3 | M5 | 85 | 12 | 9.5 | 177 765 | HMSV-25 |
| HMP-20 | | | | | | | 4.5 | | |
| HMP/HME-25 ¹⁾ | HGD-50 | 70 | M5 | M5 | 110 | 14 | 10 | 177 766 | HMSV-26 |
| HMP-32 | | | | | | | - | | |

1) HME: Horizontal mounting position, vertical on request

HMP, HME/HGD combination

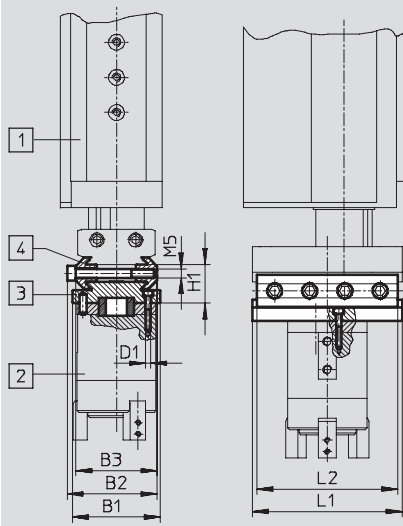
Technical data



Dimensions and ordering data

Download CAD data → www.festo.com/en/engineering

Dovetail mounting



- 1 Drive
- 2 Gripper
- Adapter kit, comprising:
- 3 Adapter plate HMSV
- 4 Dovetail clamp HMSV

| Drive | Gripper | B1 | B2 | B3 | D1 | L1 | L2 | H1 | Part No. | Type |
|--|---------|----|----|----|----|-----|-----|----|----------|---------|
| HMP/HME-16 ¹⁾ HMP-20 HMP/HME-25 | HGD-32 | 50 | 51 | 46 | M3 | 85 | 80 | 22 | 178 212 | HMSV-32 |
| HMP/HME-25 ¹⁾ HMP-32 | HGD-50 | 70 | 51 | 46 | M5 | 110 | 100 | 24 | 178 213 | HMSV-33 |

1) HME: Horizontal mounting position, vertical on request

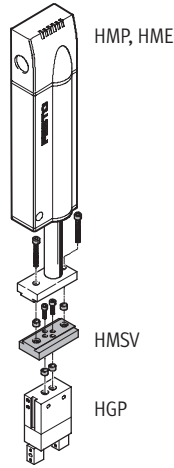
HMP, HME/HGP, HGR, HGW combination

Technical data

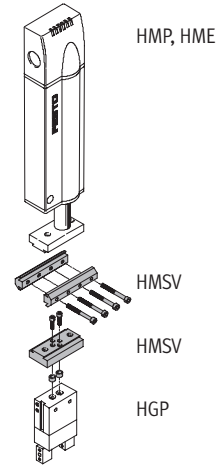


Adapter kit HMSV

Material:
Wrought aluminium alloy, anodised
Centring sleeves: High-alloy steel
Free of copper, PTFE and silicone



Direct mounting

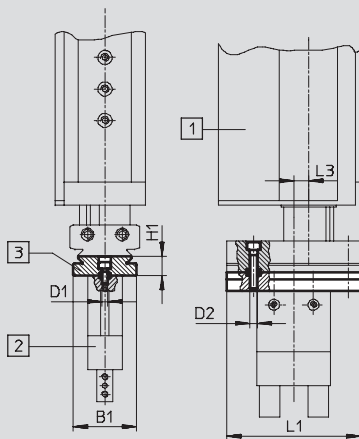


Dovetail mounting

Dimensions and ordering data

Download CAD data → www.festo.com/en/engineering

Direct mounting



- 1 Drive
- 2 Gripper
- 3 Adapter plate HMSV

| Drive | Gripper | B1 | D1 | D2 | L1 | H1 | L3 | Part No. | Type |
|--|--------------------------------------|----|----|----|-----|----|------|----------|---------|
| HMP/HME-16 ¹⁾ HMP-20 | HGP-10 HGR-16 HGW-16 | 40 | M3 | M5 | 85 | 12 | 9.5 | 177 666 | HMSV-20 |
| HMP/HME-16 ¹⁾ HMP-20 HMP/HME-25 ¹⁾ | HGP-16 HGP-20 HGR-25 HGW-25 | 40 | M4 | M5 | 85 | 12 | 9.5 | 177 761 | HMSV-21 |
| HMP/HME-16 ¹⁾ HMP-20 HMP/HME-25 ¹⁾ HMP-32 | HGP-25 HGR-32 HGW-32 | 50 | M6 | M5 | 100 | 14 | 9.5 | 177 762 | HMSV-22 |
| HMP/HME-25 ¹⁾ | HGP-35 HGR-40 HGW-40 | 60 | M8 | M5 | 110 | 18 | 17 | 177 763 | HMSV-23 |
| HMP-32 | HGP-35 HGR-40 HGW-40 | 60 | M8 | M5 | 133 | 18 | 10.5 | 177 764 | HMSV-24 |

1) HME: Horizontal mounting position, vertical on request

HMP, HME/HGP, HGR, HGW combination

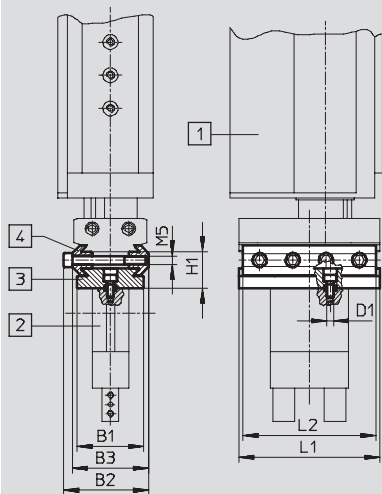
Technical data



Dimensions and ordering data

Download CAD data → www.festo.com/en/engineering

Dovetail mounting



- 1 Drive
- 2 Gripper
- Adapter kit, comprising:
- 3 Adapter plate HMSV
- 4 Dovetail clamp HMSV

| Drive | Gripper | B1 | B2 | B3 | D1 | L1 | L2 | H1 | Part No. | Type |
|--------------------------------------|----------------------------|----|----|----|----|-----|-----|----|----------------|----------------|
| HMP-16 HMP-20 | HGP-10 HGR-16 HGW-16 | 40 | 51 | 46 | M3 | 85 | 80 | 22 | 177 767 | HMSV-27 |
| HMP-16 HMP-20 HMP-25 | HGP-16 HGR-25 HGW-25 | 40 | 51 | 46 | M4 | 85 | 80 | 24 | 177 768 | HMSV-28 |
| HMP-16 HMP-20 HMP-25 HMP-32 | HGP-25 HGR-32 HGW-32 | 50 | 51 | 46 | M6 | 100 | 100 | 24 | 177 769 | HMSV-29 |
| HMP-25 | HGP-35 HGR-40 HGW-40 | 60 | 51 | 46 | M8 | 110 | 100 | 28 | 177 770 | HMSV-30 |
| HMP-32 | HGP-35 HGR-40 HGW-40 | 60 | 51 | 46 | M8 | 133 | 100 | 28 | 178 211 | HMSV-31 |

System components
Adapters

3.2

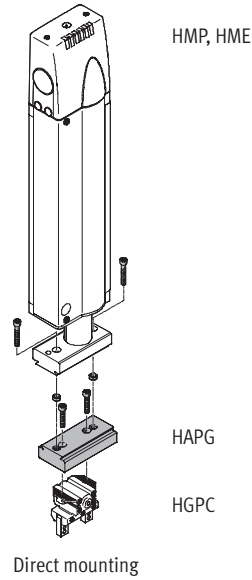
HMP, HME/HGPC combination

Technical data



Adapter kit HAPG

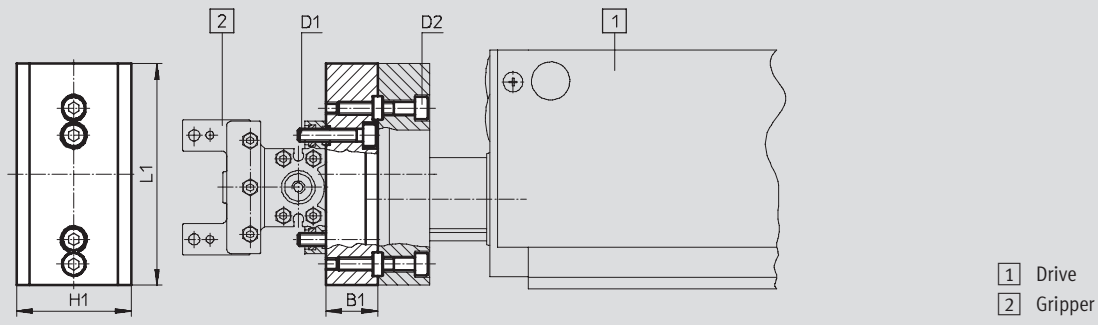
Material:
Wrought aluminium alloy, anodised
Centring sleeves: High-alloy steel
Free of copper, PTFE and silicone



Dimensions and ordering data

Download CAD data → www.festo.com/en/engineering

Direct mounting



| Drive | Gripper | B1 | D1 | D2 | H1 | L1 | Part No. | Type |
|--------------------------|---------|----|----|----|----|-------|----------|---------|
| HMP/HME-16 ¹⁾ | HGPC-16 | 20 | M5 | M5 | 44 | 85 | 191 263 | HAPG-45 |
| HMP-20 | HGPC-20 | 20 | M6 | M5 | 51 | 100.4 | 191 264 | HAPG-46 |
| HMP/HME-25 ¹⁾ | | | | | | | | |

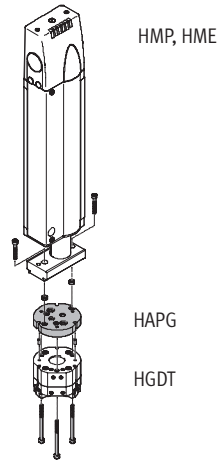
1) HME: Horizontal mounting position, vertical on request

HMP, HME/HGDT combination

Technical data

Adapter kit HAPG

Material:
Wrought aluminium alloy, anodised
Centring pins/sleeves: High-alloy steel
Free of copper, PTFE and silicone

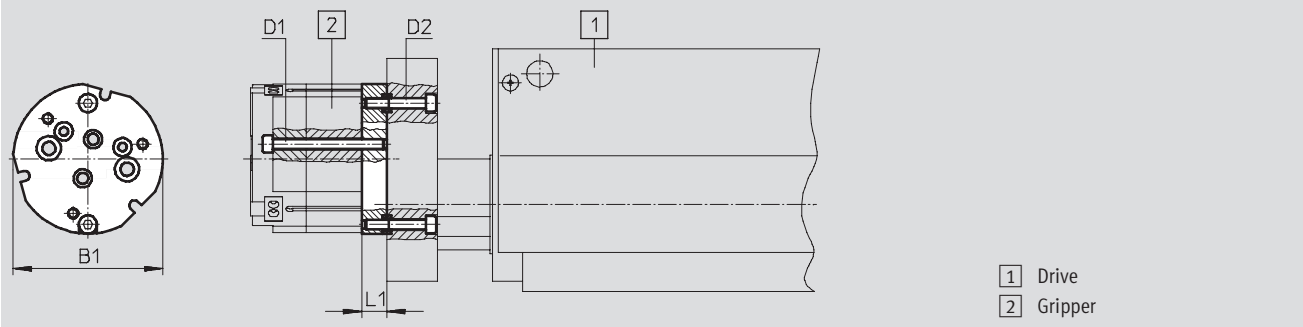


Direct mounting

Dimensions and ordering data

Download CAD data → www.festo.com/en/engineering

Direct mounting



| Drive | Gripper | B1 | D1 | D2 | L1 | Part No. | Type |
|------------------------------------|---------|-----|----|----|------|----------|-------------|
| HMP/HME-16 ¹⁾ | HGDT-35 | 50 | M3 | M5 | 11.5 | 542 434 | HAPG-98 |
| HMP/HME-16 HMP-20 HMP/HME-25 | HGDT-40 | 74 | M5 | M5 | 12.5 | 542 437 | HAPG-95 |
| HMP-20 HMP/HME-25 HMP-32 | HGDT-50 | 92 | M6 | M5 | 11.5 | 542 443 | HAPG-SD2-36 |
| HMP/HME-25 HMP-32 | HGDT-63 | 114 | M6 | M5 | 11.5 | 542 438 | HAPG-96 |

1) HME: Horizontal mounting position, vertical on request

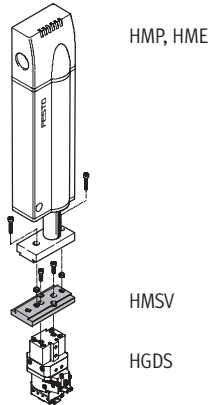
HMP, HME/HGDS combination

Technical data

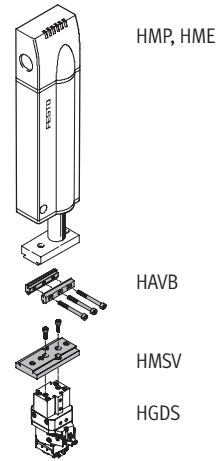


Adapter kit HMSV, connecting kit HAVB

Material:
Wrought aluminium alloy, anodised
Centring sleeves: High-alloy steel
Free of copper, PTFE and silicone



Direct mounting

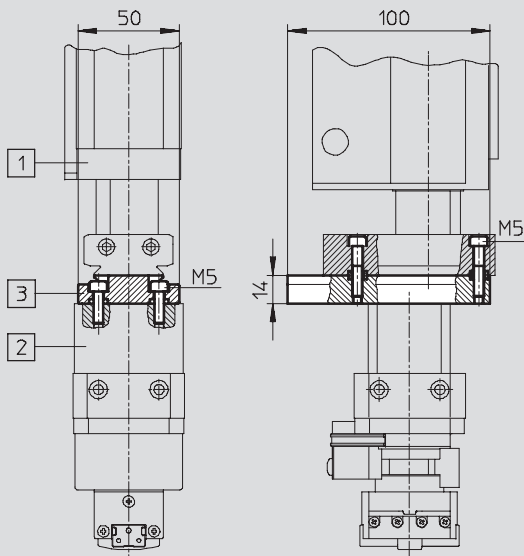


Dovetail mounting

Dimensions and ordering data

Download CAD data → www.festo.com/en/engineering

Direct mounting



- 1 Drive
- 2 Swivel/gripper unit
- 3 Adapter kit HMSV

| Drive | Gripper | Part No. | Type |
|--------------------------|---------|----------|---------|
| HMP/HME-16 ¹⁾ | HGDS-16 | 534 290 | HMSV-38 |
| HMP-20 | HGDS-20 | | |
| HMP/HME-25 ¹⁾ | | | |
| HMP-32 | | | |

1) HME: Horizontal mounting position, vertical on request

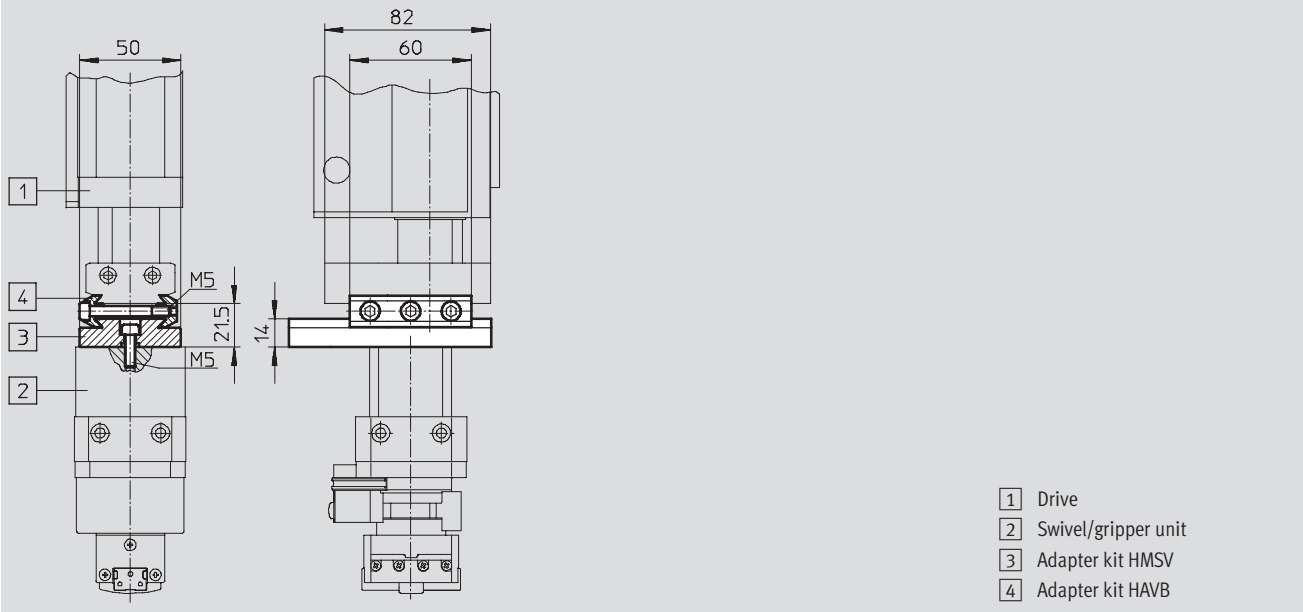
HMP, HME/HGDS combination

Technical data

Dimensions and ordering data

Download CAD data → www.festo.com/en/engineering

Dovetail mounting



| Drive | Gripper | Part No. | Type |
|--------------------------|---------|----------|---------|
| HMP/HME-16 ¹⁾ | HGDS-16 | 534 290 | HMSV-38 |
| HMP-20 | HGDS-20 | 163 239 | HAVB-3 |
| HMP/HME-25 ¹⁾ | | | |
| HMP-32 | | | |

1) HME: Horizontal mounting position, vertical on request

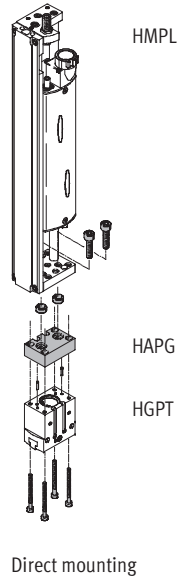
HMPL/HGPT combination

Technical data



Adapter kit HAPG

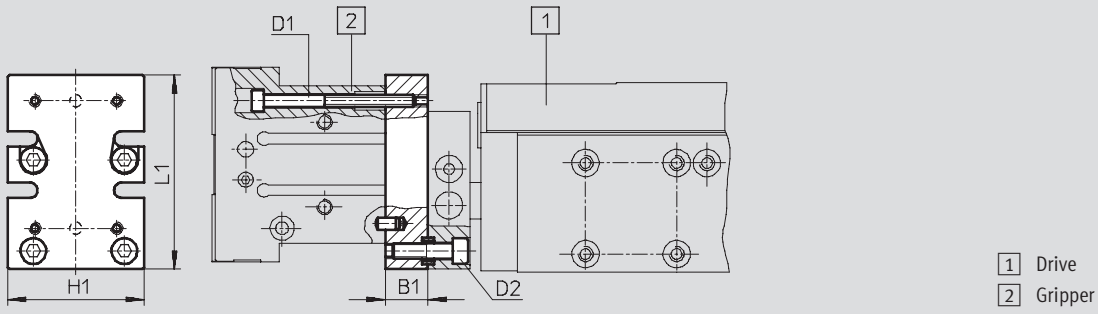
Material:
Wrought aluminium alloy, anodised
Centring pins/sleeves: High-alloy steel
Free of copper, PTFE and silicone



Dimensions and ordering data

Download CAD data → www.festo.com/en/engineering

Direct mounting



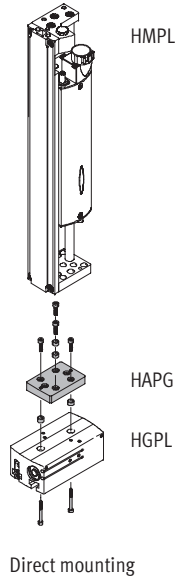
| Drive | Gripper | B1 | D1 | D2 | H1 | L1 | Part No. | Type |
|--------------------|--------------------|----|----|----|----|------|----------|---------|
| HMPL-12 HMPL-16 | HGPT-16 | 12 | M2 | M5 | 24 | 35.8 | 537 167 | HAPG-73 |
| HMPL-12 HMPL-16 | HGPT-20 | 12 | M3 | M5 | 28 | 44 | 537 176 | HAPG-80 |
| HMPL-16 | HGPT-25 | 14 | M4 | M5 | 45 | 64 | 537 179 | HAPG-82 |
| HMPL-20 | HGPT-25 HGPT-35 | 12 | M4 | M5 | 28 | 44 | 537 174 | HAPG-78 |

HMPL/HGPL combination

Technical data

Adapter kit HAPG

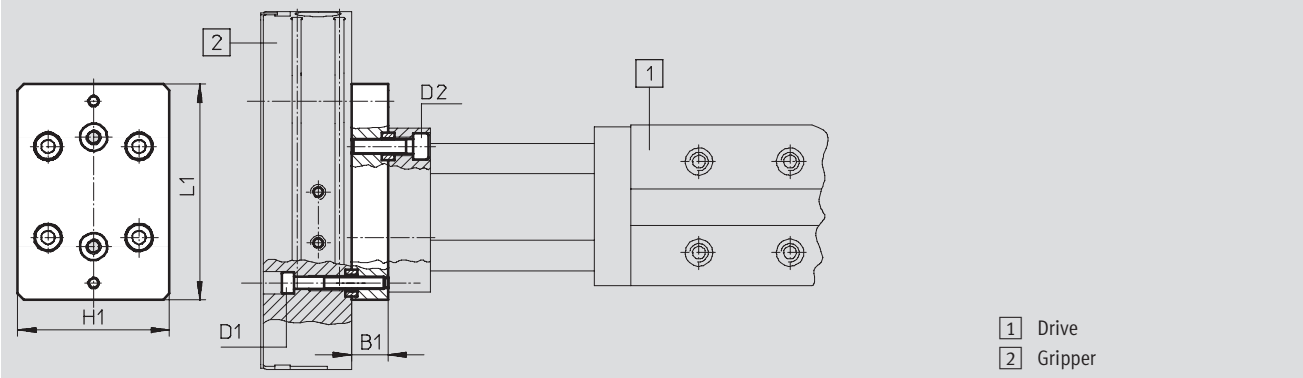
Material:
Wrought aluminium alloy, anodised
Centring sleeves: High-alloy steel
Free of copper, PTFE and silicone



Dimensions and ordering data

Download CAD data → www.festo.com/en/engineering

Direct mounting



| Drive | Gripper | B1 | D1 | D2 | H1 | L1 | Part No. | Type |
|--------------------|---------|----|-------|-------|----|----|----------|---------|
| HMPL-16 HMPL-20 | HGPL-14 | 12 | M4x30 | M5x20 | 50 | 71 | 539 912 | HAPG-93 |

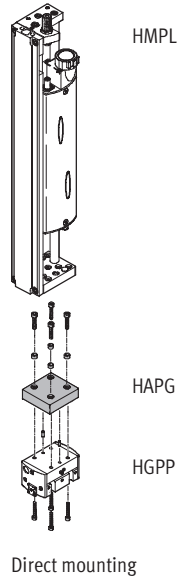
HMPL/HGPP combination

Technical data



Adapter kit HAPG

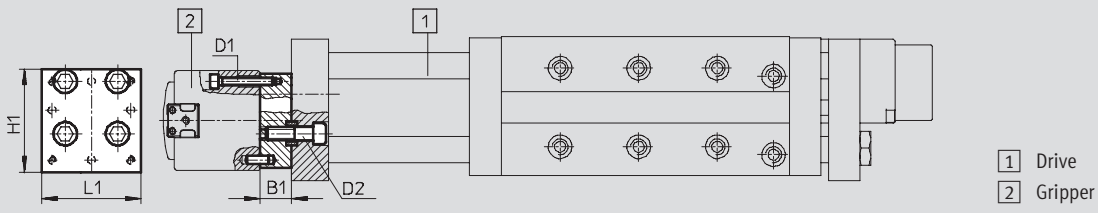
Material:
Wrought aluminium alloy, anodised
Centring pins/sleeves: High-alloy steel
Free of copper, PTFE and silicone



Dimensions and ordering data

Download CAD data → www.festo.com/en/engineering

Direct mounting



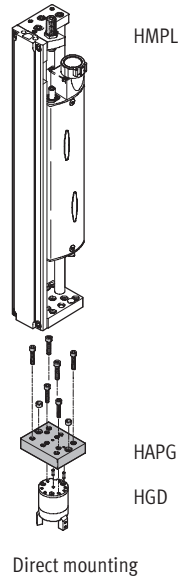
| Drive | Gripper | B1 | D1 | D2 | H1 | L1 | Part No. | Type |
|--------------------|---------|----|----|----|----|------|----------------|----------------|
| HMPL-12 HMPL-16 | HGPP-12 | 12 | M3 | M5 | 38 | 39.5 | 191 899 | HAPG-53 |
| HMPL-12 HMPL-16 | HGPP-10 | 12 | M3 | M5 | 42 | 38 | 529 016 | HAPG-56 |
| HMPL-16 | HGPP-16 | 12 | M3 | M5 | 62 | 40 | 191 901 | HAPG-55 |
| HMPL-20 | HGPP-12 | 12 | M3 | M5 | 52 | 44 | 191 900 | HAPG-54 |
| HMPL-20 | HGPP-16 | 12 | M3 | M5 | 62 | 40 | 191 901 | HAPG-55 |

HMPL/HGP, HGD, HGW, HGR combination

Technical data

Adapter kit HAPG

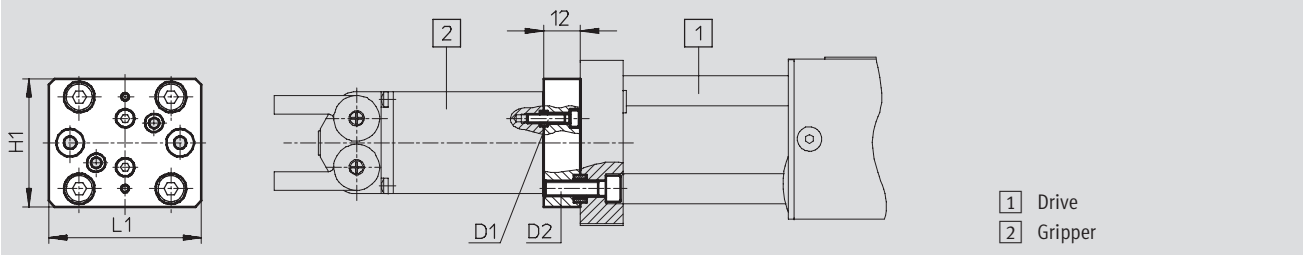
Material:
Wrought aluminium alloy, anodised
Centring pins/sleeves: High-alloy steel
Free of copper, PTFE and silicone



Dimensions and ordering data

Download CAD data → www.festo.com/en/engineering

Direct mounting



| Drive | Gripper | D1 | D2 | H1 | L1 | Part No. | Type |
|--------------------|--------------------------------------|----|----|----|----|----------|------------|
| HMPL-12 | HGP-10 HGR-16 HGW-16 | M3 | M5 | 30 | 30 | 192 708 | HAPG-39-S1 |
| HMPL-12 | HGP-06 HGR-10 HGW-10 | M3 | M5 | 30 | 30 | 192 709 | HAPG-60-S1 |
| HMPL-16 HMPL-20 | HGP-10 HGR-16 HGW-16 | M3 | M5 | 42 | 50 | 192 705 | HAPG-36-S1 |
| HMPL-16 HMPL-20 | HGD-16 | M3 | M5 | 42 | 50 | 193 921 | HAPG-36-S3 |
| HMPL-16 HMPL-20 | HGP-06 HGR-10 HGW-10 | M3 | M5 | 42 | 50 | 192 706 | HAPG-37-S1 |
| HMPL-16 HMPL-20 | HGP-16 HGP-20 HGR-25 HGW-25 | M4 | M5 | 42 | 50 | 193 922 | HAPG-37-S4 |

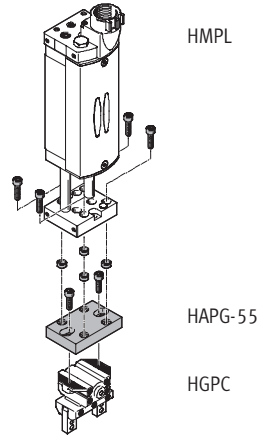
HMPL/HGPC combination

Technical data

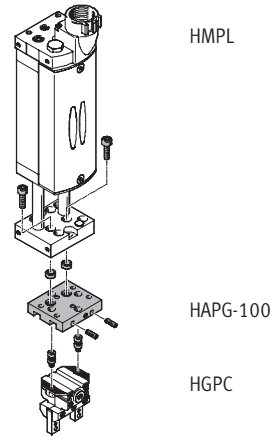


Adapter kit HAPG

Material:
Wrought aluminium alloy, anodised
Centring sleeves: High-alloy steel
Free of copper, PTFE and silicone



Direct mounting

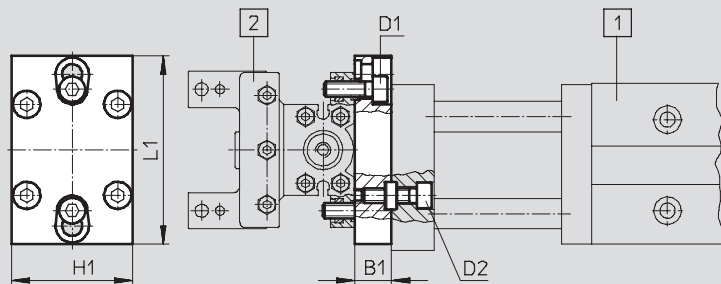


Direct mounting

Dimensions and ordering data

Download CAD data → www.festo.com/en/engineering

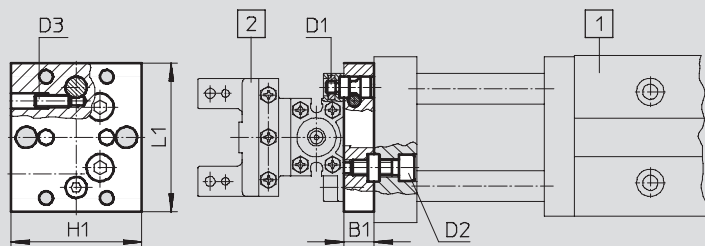
Direct mounting with HAPG-55



- 1 Drive
- 2 Gripper

| Drive | Gripper | B1 | D1 | D2 | H1 | L1 | Part No. | Type |
|---------|---------|----|----|----|----|----|----------|---------|
| HMPL-16 | HGPC-16 | 12 | M5 | M5 | 40 | 62 | 191 901 | HAPG-55 |
| HMPL-20 | | | | | | | | |
| HMPL-20 | HGPC-20 | 12 | M6 | M5 | 40 | 62 | | |

Direct mounting with HAPG-100



- 1 Drive
- 2 Gripper

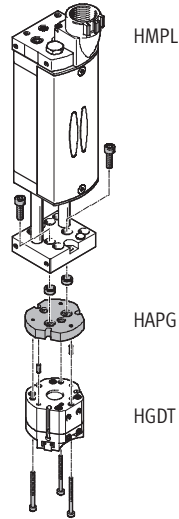
| Drive | Gripper | B1 | D1 | D2 | D3 | H1 | L1 | Part No. | Type |
|---------|---------|----|----|----|----|----|----|----------|----------|
| HMPL-12 | HGPC-12 | 10 | M4 | M5 | M4 | 43 | 49 | 542 670 | HAPG-100 |
| HMPL-16 | | | | | | | | | |

HMPL/HGDT combination

Technical data

Adapter kit HAPG

Material:
 Wrought aluminium alloy, anodised
 Centring pins/sleeves: High-alloy steel
 Free of copper, PTFE and silicone

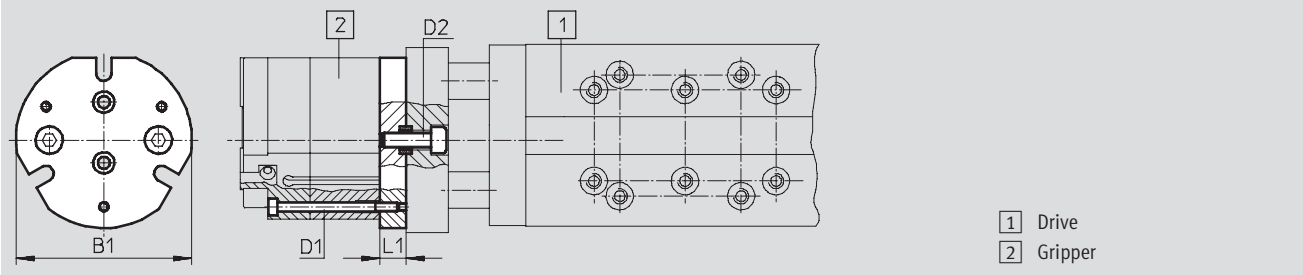


Direct mounting

Dimensions and ordering data

Download CAD data → www.festo.com/en/engineering

Direct mounting



| Drive | Gripper | B1 | D1 | D2 | L1 | Part No. | Type |
|---------|---------|----|----|----|------|----------|---------|
| HMPL-12 | HGDT-25 | 49 | M3 | M5 | 8.5 | 542 433 | HAPG-97 |
| HMPL-16 | HGDT-35 | 58 | M3 | M5 | 8.5 | 542 435 | HAPG-99 |
| HMPL-20 | HGDT-40 | 74 | M5 | M5 | 12.5 | 542 437 | HAPG-95 |

HMPL/HGDS combination

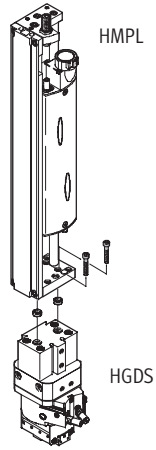
Technical data



Adapter kit

(user configured)

Material:
to DIN 912
Centring sleeves: High-alloy steel
Free of copper, PTFE and silicone

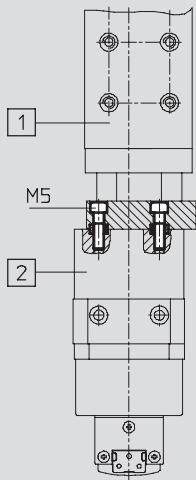


Direct mounting

Dimensions and ordering data

Download CAD data → www.festo.com/en/engineering

Direct mounting



- 1 Drive
- 2 Swivel/gripper unit

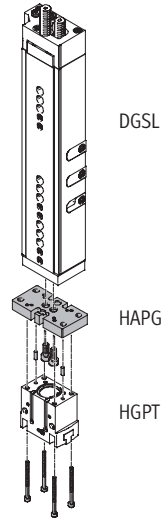
| Drive | Gripper | Part No. | Type |
|---------|---------|----------|------------------|
| HMPL-12 | HGDS-12 | – | 2x M5x18 DIN 912 |
| HMPL-16 | | | 2x ZBH-9 |
| HMPL-16 | HGDS-16 | – | 2x M5x18 DIN 912 |
| HMPL-20 | HGDS-20 | | 2x ZBH-9 |

DGSL/HGPT combination

Technical data

Adapter kit HAPG

Material:
Wrought aluminium alloy, anodised
Centring pins/sleeves: High-alloy steel
Free of copper, PTFE and silicone

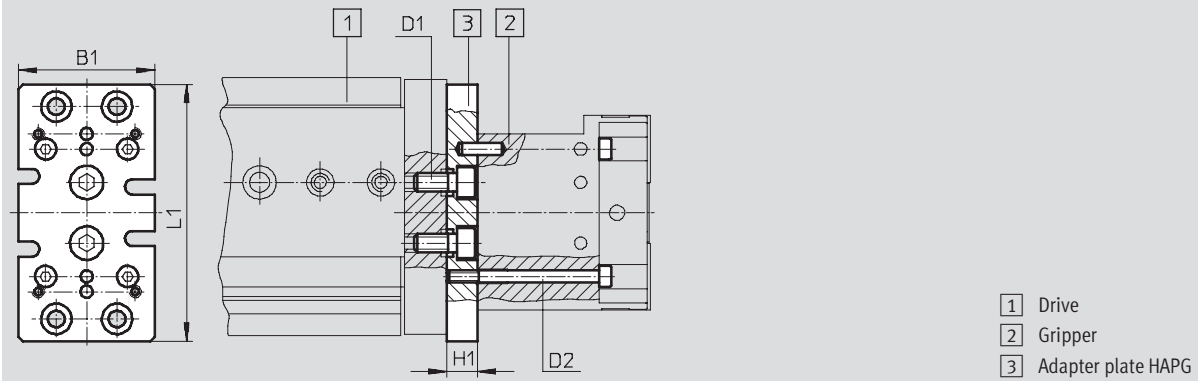


Direct mounting

Dimensions and ordering data

Download CAD data → www.festo.com/en/engineering

Direct mounting



| Drive | Gripper | B1 | D1 | D2 | H1 | L1 | Part No. | Type |
|------------|------------|----|----|------|----|-------|----------|---------|
| DGSL-8/10 | HGPT-16 | 27 | M4 | M2.5 | 8 | 49.6 | 537 169 | HAPG-75 |
| | HGPT-20 | | | M3 | | | | |
| DGSL-12/16 | HGPT-16 | 33 | M5 | M2.5 | 10 | 65.6 | 537 170 | HAPG-76 |
| | HGPT-20 | | | M3 | | | | |
| DGSL-12/16 | HGPT-25 | 38 | M5 | M4 | 10 | 65.6 | 537 180 | HAPG-83 |
| DGSL-20/25 | HGPT-25/35 | 45 | M6 | M4 | 10 | 84.6 | 537 175 | HAPG-79 |
| DGSL-20/25 | HGPT-40 | 57 | M6 | M5 | 12 | 103.6 | 537 183 | HAPG-85 |

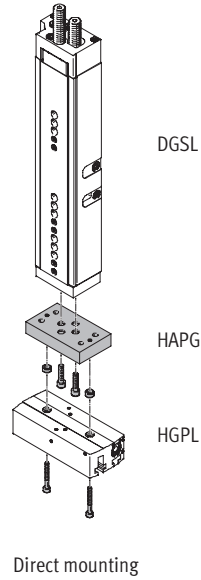
DGSL/HGPL combination

Technical data



Adapter kit HAPG

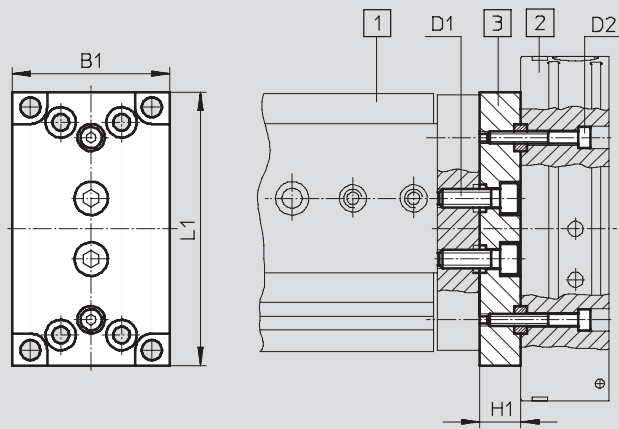
Material:
Wrought aluminium alloy, anodised
Centring pins/sleeves: High-alloy steel
Free of copper, PTFE and silicone



Dimensions and ordering data

Download CAD data → www.festo.com/en/engineering

Direct mounting



- 1 Drive
- 2 Gripper
- 3 Adapter plate HAPG

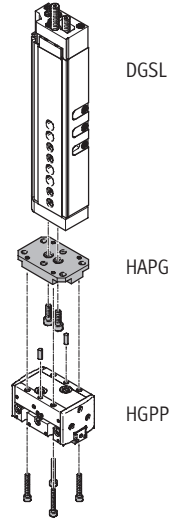
| Drive | Gripper | B1 | D1 | D2 | H1 | L1 | Part No. | Type |
|------------|---------|----|----|----|------|----|----------|---------|
| DGSL-16 | HGPL-14 | 44 | M5 | M4 | 14 | 75 | 538 055 | HAPG-89 |
| DGSL-20/25 | HGPL-14 | 52 | M6 | | 13.5 | 90 | 539 274 | HAPG-90 |
| DGSL-25 | HGPL-25 | | | | | | | |

DGSL/HGPP combination

Technical data

Adapter kit HAPG

Material:
Wrought aluminium alloy, anodised
Centring pins/sleeves: High-alloy steel
Free of copper, PTFE and silicone

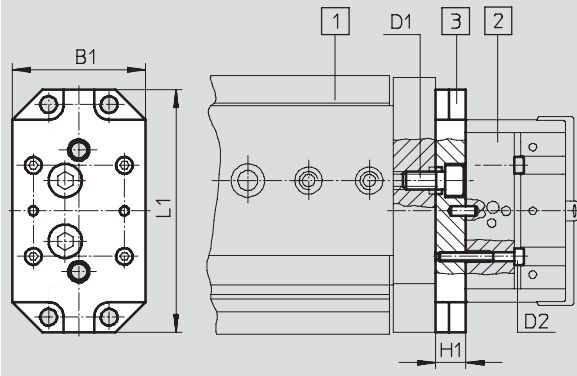


Direct mounting

Dimensions and ordering data

Download CAD data → www.festo.com/en/engineering

Direct mounting



- 1 Drive
- 2 Gripper
- 3 Adapter plate HAPG

| Drive | Gripper | B1 | D1 | D2 | H1 | L1 | Part No. | Type | |
|------------|---------|----|----|----|----|------|----------|---------|---------|
| DGSL-8/10 | HGPP-10 | 33 | M4 | M3 | 8 | 49.6 | 526 017 | HAPG-57 | |
| DGSL-12/16 | HGPP-10 | | M5 | | | 65 | 529 018 | HAPG-58 | |
| DGSL-12/16 | HGPP-12 | 36 | M5 | | 10 | 80 | 191 266 | HAPG-48 | |
| DGSL-20/25 | HGPP-12 | 44 | M6 | | M4 | 12 | 91 | 191 267 | HAPG-49 |
| DGSL-20/25 | HGPP-16 | | | | | | 191 269 | HAPG-51 | |
| DGSL-20/25 | HGPP-20 | 58 | M6 | M4 | 12 | 91 | 191 270 | HAPG-52 | |

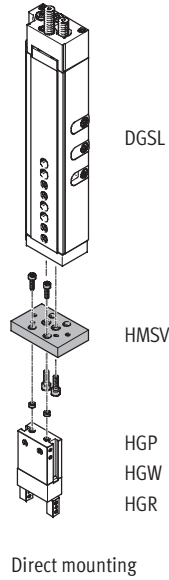
DGSL/HGP, HGW, HGR combination

Technical data



Adapter kit HMSV

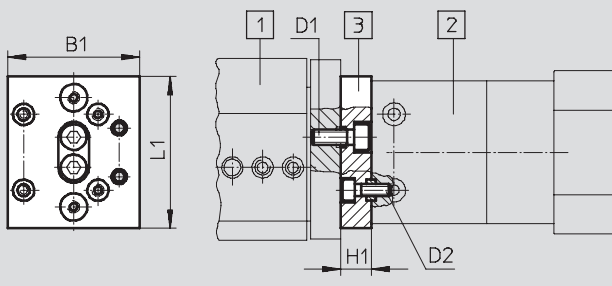
Material:
Wrought aluminium alloy, anodised
Centring pins/sleeves: High-alloy steel
Free of copper, PTFE and silicone



Dimensions and ordering data

Download CAD data → www.festo.com/en/engineering

Direct mounting



- 1 Drive
- 2 Gripper
- 3 Adapter plate HMSV

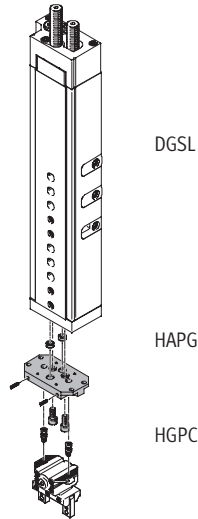
| Drive | Gripper | B1 | D1 | D2 | H1 | L1 | Part No. | Type |
|------------|----------------------------|------|----|----|----|-----|----------|---------|
| DGSL-4/6 | HGP-6 | 17 | M3 | M3 | 8 | 40 | 548 783 | HMSV-53 |
| DGSL-8/10 | HGP-10 HGR-10 HGW-10 | 33 | M4 | M3 | 9 | 50 | 548 784 | HMSV-54 |
| DGSL-12/16 | HGP-16 | 43.5 | M6 | M4 | 10 | 50 | 548 785 | HMSV-55 |
| | HGR-16 HGW-16 | | | M3 | | | | |
| DGSL-20/25 | HGP-20 | 73 | M6 | M4 | 12 | 100 | 548 786 | HMSV-56 |
| | HGR-25 HGW-25 | | | M6 | | | | |
| | HGP-25 HGR-32 HGW-32 | | | | | | | |

DGSL/HGPC combination

Technical data

Adapter kit HAPG

Material:
Wrought aluminium alloy, anodised
Centring pins/sleeves: High-alloy steel
Free of copper, PTFE and silicone

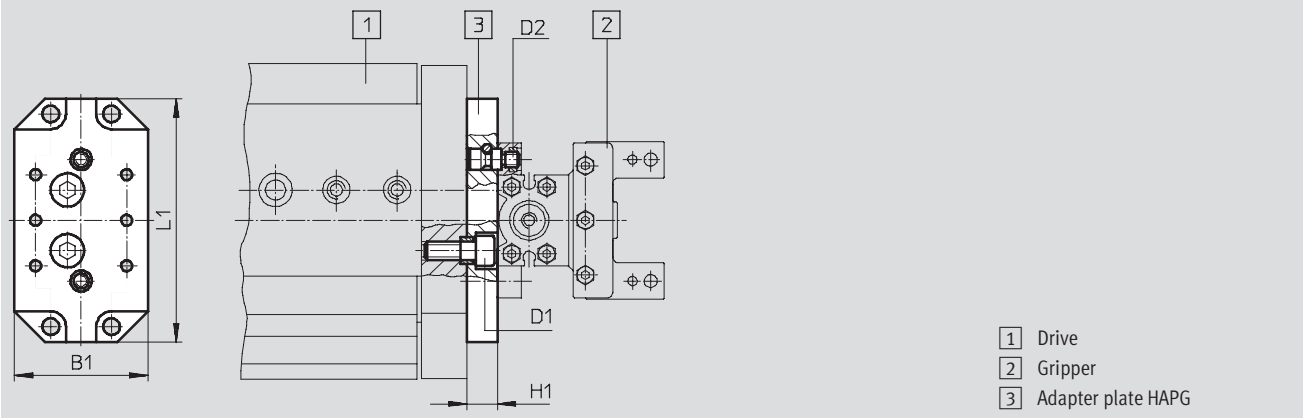


Direct mounting

Dimensions and ordering data

Download CAD data → www.festo.com/en/engineering

Direct mounting



| Drive | Gripper | B1 | D1 | D2 | H1 | L1 | Part No. | Type |
|-------------|---------|----|----|----|----|----|----------------|----------------|
| DGSL-12/-16 | HGPC-12 | 33 | M5 | M4 | 9 | 65 | 529 018 | HAPG-58 |
| DGSL-20/-25 | HGPC-16 | 44 | M6 | M5 | 10 | 80 | 191 267 | HAPG-49 |
| DGSL-20/25 | HGPC-20 | 58 | M6 | M6 | 12 | 91 | 191 269 | HAPG-51 |

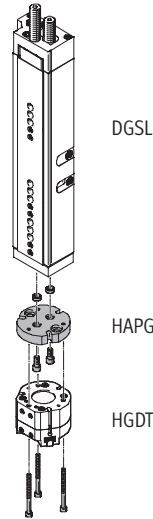
DGSL/HGDT combination

Technical data



Adapter kit HAPG

Material:
Wrought aluminium alloy, anodised
Centring pins/sleeves: High-alloy steel
Free of copper, PTFE and silicone

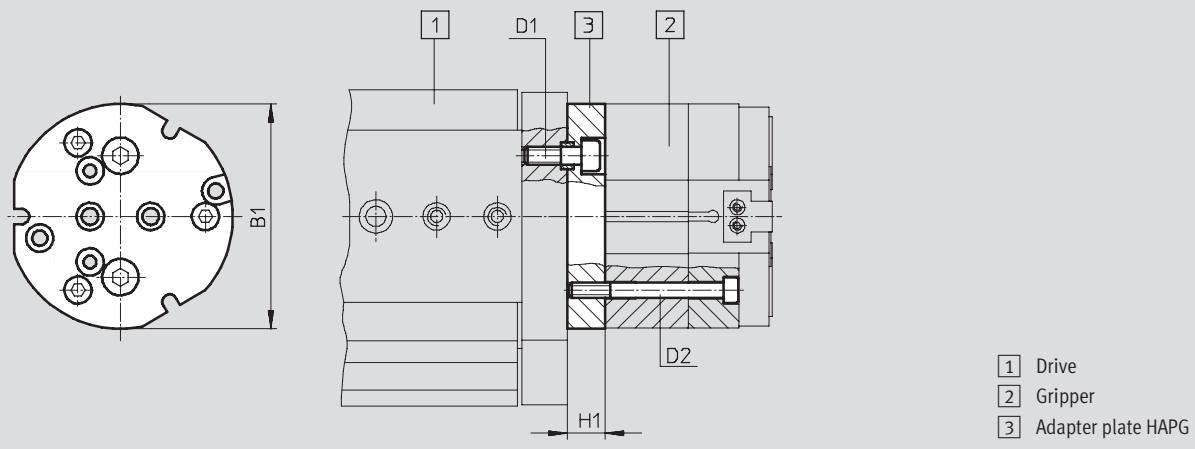


Direct mounting

Dimensions and ordering data

Download CAD data → www.festo.com/en/engineering

Direct mounting



- 1 Drive
- 2 Gripper
- 3 Adapter plate HAPG

| Drive | Gripper | B1 | D1 | D2 | H1 | Part No. | Type |
|------------|---------|----|----|----|------|--------------------|---------------------------------------|
| DGSL-16 | HGDT-25 | 48 | M5 | M3 | 10 | 542 439 | HAPG-SD2-32 |
| DGSL-16 | HGDT-35 | 58 | M6 | M3 | 11 | 542 436 548 805 | HAPG-94 ZBV-9-7 ¹⁾ |
| DGSL-20/25 | HGDT-35 | 58 | M6 | M3 | 11 | 542 436 | HAPG-94 |
| DGSL-20/25 | HGDT-40 | 74 | M6 | M5 | 12.5 | 542 437 | HAPG-95 |
| DGSL-25 | HGDT-50 | 92 | M6 | M5 | 11.5 | 542 443 548 806 | HAPG-SD2-36 ZBV-12-9 ¹⁾ |

1) Connecting sleeve for centring an adapter kit HAPG on a mini slide DGSL

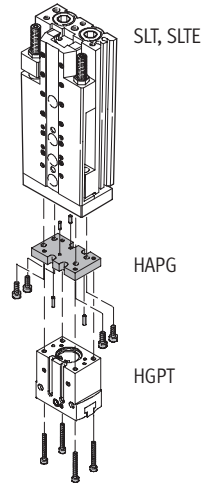
SLT, SLTE/HGPT combination

Technical data

Adapter kit HAPG

Material:

- Wrought aluminium alloy, anodised
- Centring pins/sleeves: High-alloy steel
- Free of copper, PTFE and silicone

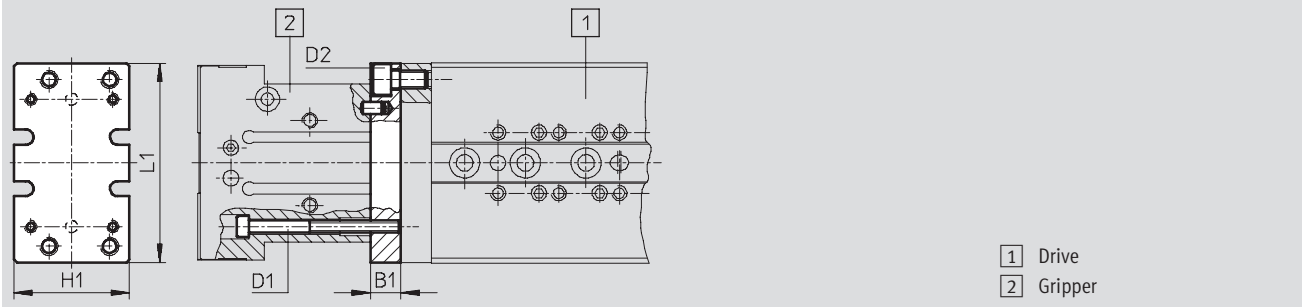


Direct mounting

Dimensions and ordering data

Download CAD data → www.festo.com/en/engineering

Direct mounting



| Drive | Gripper | B1 | D1 | D2 | H1 | L1 | Part No. | Type |
|-------------|------------|----|----|----|----|-------|----------|---------|
| SLT-6 | HGPT-16 | 6 | M2 | M3 | 24 | 38.6 | 537 168 | HAPG-74 |
| SLT/SLTE-10 | HGPT-16 | 8 | M2 | M3 | 27 | 49.6 | 537 169 | HAPG-75 |
| | HGPT-20 | | M3 | | | | | |
| SLT/SLTE-16 | HGPT-16 | 10 | M2 | M5 | 33 | 65.6 | 537 170 | HAPG-76 |
| | HGPT-20 | | M3 | | | | | |
| SLT/SLTE-16 | HGPT-25 | 10 | M4 | M5 | 38 | 65.6 | 537 180 | HAPG-83 |
| SLT-20 | HGPT-25/35 | 10 | M4 | M5 | 45 | 84.6 | 537 175 | HAPG-79 |
| SLT-25 | HGPT-35 | 12 | M4 | M6 | 54 | 100 | 537 172 | HAPG-77 |
| SLT-25 | HGPT-40 | 12 | M5 | M6 | 57 | 103.6 | 537 183 | HAPG-85 |

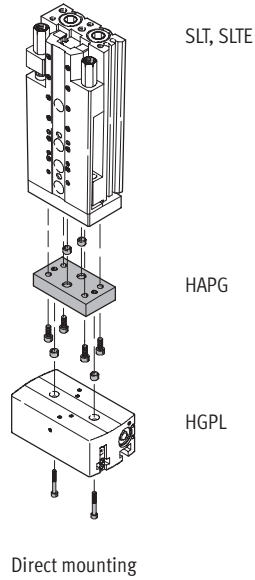
SLT, SLTE/HGPL combination

Technical data



Adapter kit HAPG

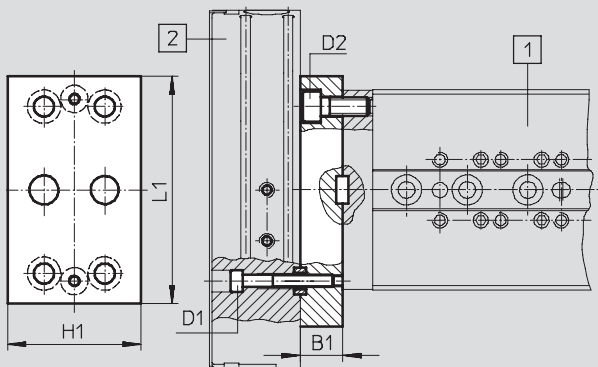
Material:
Wrought aluminium alloy, anodised
Centring sleeves: High-alloy steel
Free of copper, PTFE and silicone



Dimensions and ordering data

Download CAD data → www.festo.com/en/engineering

Direct mounting



| Drive | Gripper | B1 | D1 | D2 | H1 | L1 | Part No. | Type |
|------------------|----------------------------------|------|----|----|----|----|----------|---------|
| SLT/SLTE-16 | HGPL-14 ¹⁾ | 14 | M4 | M5 | 44 | 75 | 538 055 | HAPG-89 |
| SLT-20 SLT-25 | HGPL-14 HGPL-25 ¹⁾ | 13.5 | M4 | M5 | 52 | 90 | 539 274 | HAPG-90 |

1) Only in combination with mini slide SLT-...-CC-B (with adjustable shock absorbers) or mini slide SLTE

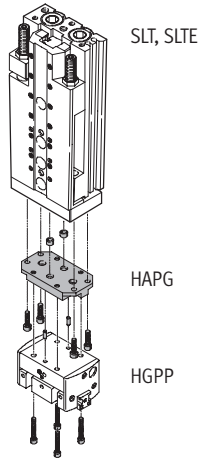
SLT, SLTE/HGPP combination

Technical data

Adapter kit HAPG

Material:

- Wrought aluminium alloy, anodised
- Centring pins/sleeves: High-alloy steel
- Free of copper, PTFE and silicone

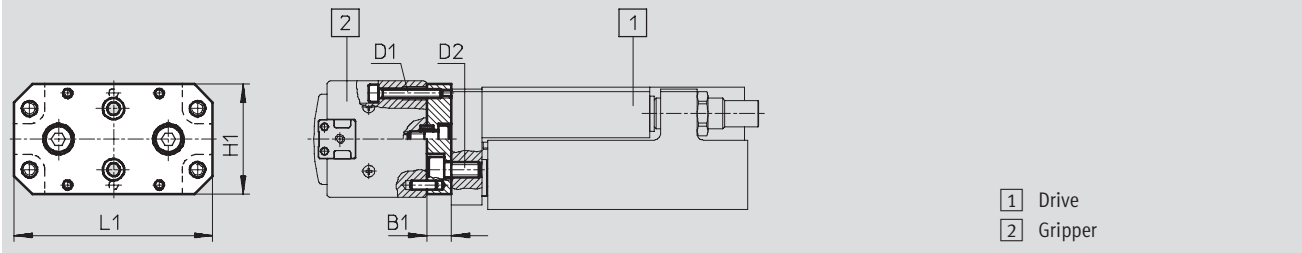


Direct mounting

Dimensions and ordering data

Download CAD data → www.festo.com/en/engineering

Direct mounting



| Drive | Gripper | B1 | D1 | D2 | H1 | L1 | Part No. | Type |
|-------------|---------|----|----|----|----|------|----------|---------|
| SLT/SLTE-10 | HGPP-10 | 8 | M3 | M4 | 33 | 49.6 | 529 017 | HAPG-57 |
| SLT/SLTE-16 | HGPP-10 | 8 | M3 | M5 | 33 | 65 | 529 018 | HAPG-58 |
| SLT/SLTE-16 | HGPP-12 | 8 | M3 | M5 | 36 | 65 | 191 266 | HAPG-48 |
| SLT-20 | HGPP-12 | 10 | M3 | M5 | 44 | 80 | 191 267 | HAPG-49 |
| SLT-20 | HGPP-16 | 10 | M3 | M5 | 44 | 80 | 191 268 | HAPG-50 |
| SLT-25 | HGPP-16 | 12 | M3 | M6 | 58 | 91 | 191 269 | HAPG-51 |
| SLT-25 | HGPP-20 | 12 | M4 | M6 | 58 | 91 | 191 270 | HAPG-52 |

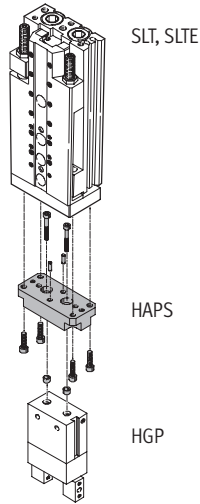
SLT, SLTE/HGP, HGW, HGR combination

Technical data



Adapter kit HAPS

Material:
Wrought aluminium alloy, anodised
Centring pins/sleeves: High-alloy steel
Free of copper, PTFE and silicone

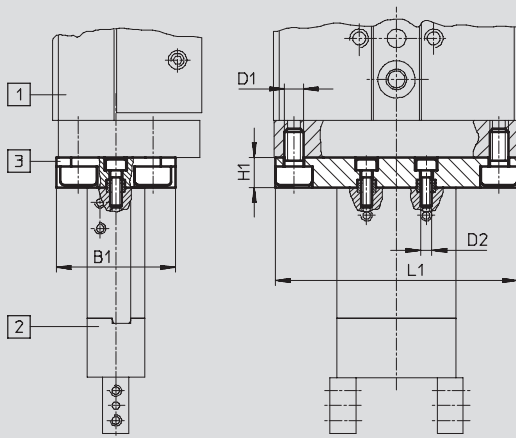


Direct mounting

Dimensions and ordering data

Download CAD data → www.festo.com/en/engineering

Direct mounting



- 1 Drive
- 2 Gripper
- 3 Adapter kit

| Drive | Gripper | B1 | D1 | D2 | H1 | L1 | Part No. | Type |
|-------------|--------------------------------------|----|----|----|----|----|----------|--------|
| SLT-6 | HGP-6 | 16 | M3 | M3 | 8 | 36 | 178 447 | HAPS-1 |
| SLT/SLTE-10 | HGR-10 HGW-10 | 28 | M4 | M3 | 8 | 48 | 178 448 | HAPS-2 |
| SLT/SLTE-16 | HGP-10 HGR-16 HGW-16 | 32 | M5 | M3 | 8 | 65 | 178 449 | HAPS-3 |
| SLT-20 | HGP-16 HGP-20 HGR-25 HGW-25 | 44 | M5 | M5 | 10 | 80 | 178 450 | HAPS-4 |
| SLT-25 | HGP-25 HGR-32 HGW-32 | 58 | M6 | M6 | 12 | 91 | 178 451 | HAPS-5 |

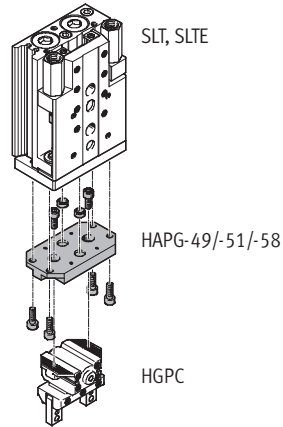
SLT, SLTE/HGPC combination

Technical data

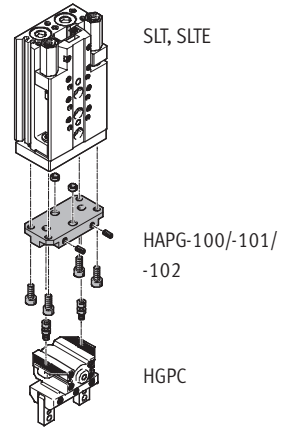


Adapter kit HAPG

Material:
Wrought aluminium alloy, anodised
Centring sleeves: High-alloy steel
Free of copper, PTFE and silicone



Direct mounting

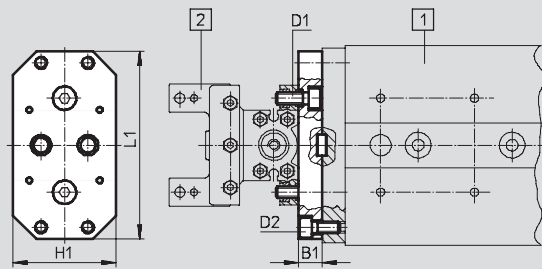


Direct mounting

Dimensions and ordering data

Download CAD data → www.festo.com/en/engineering

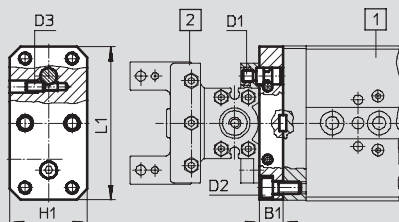
Direct mounting with HAPG-49/-51/-58



- 1 Drive
- 2 Gripper

| Drive | Gripper | B1 | D1 | D2 | H1 | L1 | Part No. | Type |
|-------------|---------|----|----|----|----|----|----------------|----------------|
| SLT/SLTE-16 | HGPC-12 | 8 | M4 | M5 | 33 | 65 | 529 018 | HAPG-58 |
| SLT-20 | HGPC-16 | 10 | M5 | M5 | 44 | 80 | 191 267 | HAPG-49 |
| SLT-25 | HGPC-20 | 12 | M6 | M6 | 58 | 91 | 191 269 | HAPG-51 |

Direct mounting with HAPG-100/-101/-102



- 1 Drive
- 2 Gripper

| Drive | Gripper | B1 | D1 | D2 | D3 | H1 | L1 | Part No. | Type |
|-------------|---------|----|----|----|----|----|----|----------------|-----------------|
| SLT/SLTE-10 | HGPC-12 | 10 | M4 | M4 | M4 | 43 | 49 | 542 670 | HAPG-100 |
| SLT/SLTE-16 | HGPC-16 | 10 | M5 | M5 | M4 | 33 | 65 | 542 666 | HAPG-101 |
| SLT-20 | HGPC-20 | 10 | M6 | M5 | M4 | 44 | 80 | 542 667 | HAPG-102 |

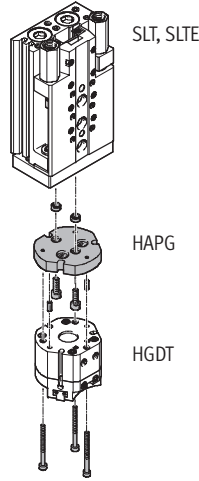
SLT, SLTE/HGDT combination

Technical data



Adapter kit HAPG

Material:
Wrought aluminium alloy, anodised
Centring pins/sleeves: High-alloy steel
Free of copper, PTFE and silicone

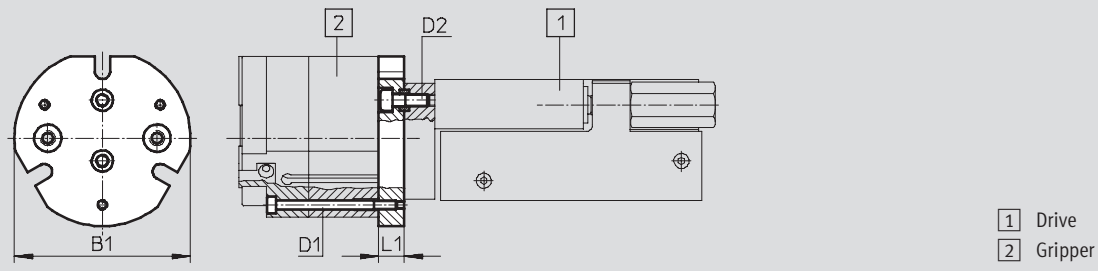


Direct mounting

Dimensions and ordering data

Download CAD data → www.festo.com/en/engineering

Direct mounting



| Drive | Gripper | B1 | D1 | D2 | L1 | Part No. | Type |
|-------------|---------|----|----|----|------|----------|-------------|
| SLT/SLTE-16 | HGDT-25 | 49 | M3 | M4 | 8.5 | 542 433 | HAPG-97 |
| SLT/SLTE-16 | HGDT-35 | 58 | M3 | M4 | 8.5 | 542 435 | HAPG-99 |
| SLT-20 | HGDT-25 | 49 | M3 | M5 | 10 | 542 439 | HAPG-SD2-32 |
| SLT-20 | HGDT-35 | 58 | M3 | M5 | 11 | 542 436 | HAPG-94 |
| SLT-25 | | | | M6 | | | |
| SLT-20 | HGDT-40 | 74 | M5 | M5 | 12.5 | 542 437 | HAPG-95 |
| SLT-25 | | | | M6 | | | |
| SLT-25 | HGDT-50 | 92 | M6 | M6 | 11.5 | 542 443 | HAPG-SD2-36 |

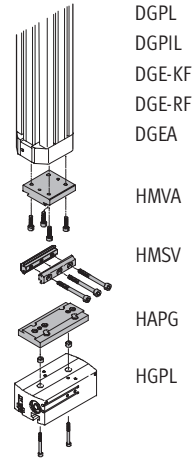
DG.../HGPL combination

Technical data



Adapter kit HMVA, HAPG, HMSV

Material:
Wrought aluminium alloy, anodised
Centring sleeves: High-alloy steel
Free of copper, PTFE and silicone



Dovetail mounting

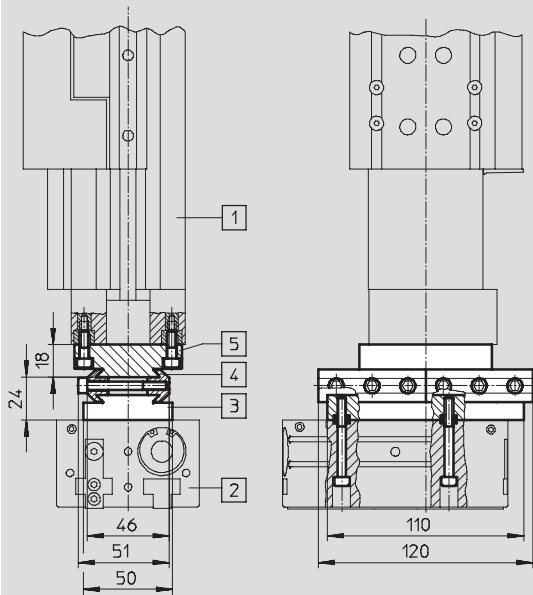
System components
Adapters

3.2

Dimensions and ordering data

Download CAD data → www.festo.com/en/engineering

Dovetail mounting



- 1 Linear drive
- 2 Gripper
- 3 Adapter kit HAPG
- 4 Adapter kit HMSV
- 5 Adapter kit HMVA

| Drive | Gripper | Part No. | Type |
|----------|---------|----------|------------|
| DG...-40 | HGPL-25 | 196 790 | HMVA-DLA40 |
| | | 177 653 | HMSV-7 |
| | | 539 887 | HAPG-92 |

DG.../HGPP combination

Technical data



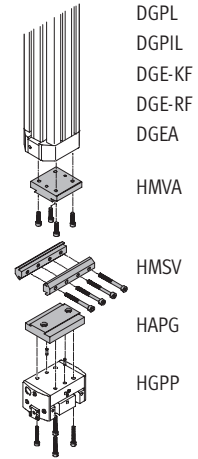
Adapter kit HMVA, HAPG, HMSV

Material:

Wrought aluminium alloy, anodised

Centring pins/sleeves: High-alloy steel

Free of copper, PTFE and silicone

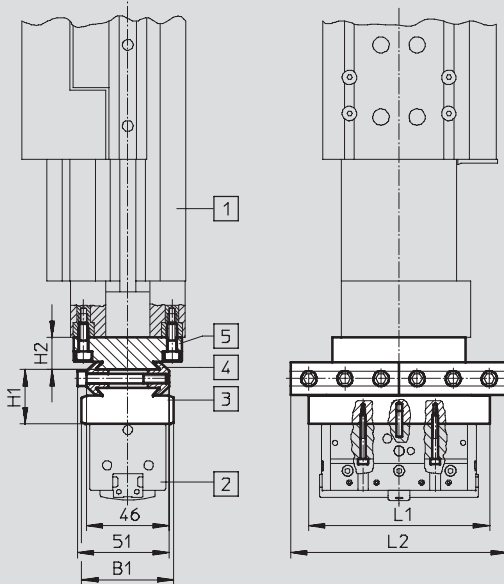


Dovetail mounting

Dimensions and ordering data

Download CAD data → www.festo.com/en/engineering

Dovetail mounting



- 1 Linear drive
- 2 Gripper
- 3 Adapter kit HAPG
- 4 Adapter kit HMSV
- 5 Adapter kit HMVA

| Drive | Gripper | B1 | H1 | H2 | L1 | L2 | Part No. | Type | Part No. | Type |
|-----------|---------|----|----|----|-----|-----|----------|---------|----------|---------------|
| DGP...-25 | HGPP-12 | 44 | 30 | 14 | 85 | 100 | 191 262 | HAPG-44 | 196 788 | HMVA-DLA18/25 |
| DGE-25 | | | | | | | | | 177 649 | HMSV-3 |
| DGEA-18 | HGPP-16 | 44 | 30 | 14 | 100 | 100 | 191 263 | HAPG-45 | | |
| DGP...-32 | HGPP-16 | 51 | 30 | 18 | 100 | 120 | 191 264 | HAPG-46 | 196 789 | HMVA-DL32 |
| | | | | | | | | | 177 653 | HMSV-7 |
| DGP...-40 | HGPP-16 | 51 | 30 | 18 | 100 | 120 | 191 264 | HAPG-46 | 196 790 | HMVA-DLA40 |
| DGE-40 | HGPP-20 | 50 | 22 | 18 | 110 | 120 | 191 265 | HAPG-47 | 177 653 | HMSV-7 |
| | HGPP-25 | 60 | 28 | 18 | 110 | 120 | 529 019 | HAPG-59 | | |
| | HGPP-32 | 60 | 28 | 18 | 133 | 120 | 529 020 | HAPG-61 | | |

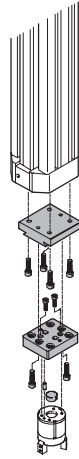
DG.../HGD combination

Technical data



Adapter kit HMVA, HAPG, HMSV

Material:
Wrought aluminium alloy, anodised
Centring pins/sleeves: High-alloy steel
Free of copper, PTFE and silicone



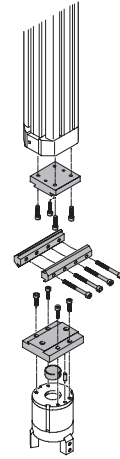
DGPL
DGPIL
DGE-KF
DGE-RF
DGEA

HMVA

HAPG

HGD

Direct mounting



DGPL
DGPIL
DGE-KF
DGE-RF
DGEA

HMVA

HMSV

HMSV

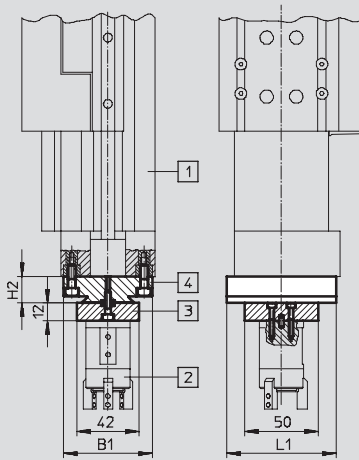
HGD

Dovetail mounting

Dimensions and ordering data

Download CAD data → www.festo.com/en/engineering

Direct mounting



- 1 Linear drive
- 2 Gripper
- 3 Adapter kit HAPG
- 4 Adapter kit HMVA

| Drive | Gripper | B1 | H2 | L1 | Part No. | Type |
|-----------|---------|----|----|----|----------|---------------|
| DGP...-25 | HGD-16 | | | | 196 788 | HMVA-DLA18/25 |
| DGE-25 | | 50 | 14 | 50 | 193 921 | HAPG-36-S3 |
| DGEA-18 | | | | | | |
| DGP...-32 | HGD-16 | 60 | 18 | 74 | 196 789 | HMVA-DL32 |
| | | | | | 193 921 | HAPG-36-S3 |
| DGP...-40 | HGD-16 | 60 | 18 | 74 | 196 790 | HMVA-DLA40 |
| DGE-40 | | | | | 193 921 | HAPG-36-S3 |

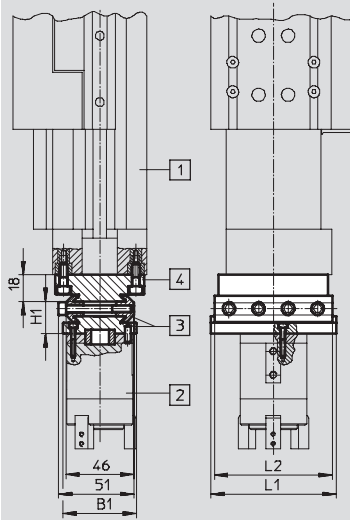
DG.../HGD combination

Technical data



Dimensions and ordering data Download CAD data → www.festo.com/en/engineering

Dovetail mounting



- 1 Linear drive
- 2 Gripper
- 3 Adapter kit HMSV
- 4 Adapter kit HMVA

| Drive | Gripper | B1 | H1 | L1 | L2 | Part No. | Type |
|--------------------------------|---------|----|----|-----|-----|----------|------------|
| DG...-32 | HGD-32 | 50 | 22 | 85 | 80 | 196 789 | HMVA-DL32 |
| | | | | | | 178 212 | HMSV-32 |
| DGP...-40 DGE-40 DGEA-40 | HGD-32 | 70 | 24 | 110 | 100 | 196 790 | HMVA-DLA40 |
| | | | | | | 178 212 | HMSV-32 |
| | | | | | | | |
| DGP...-40 DGE-40 DGEA-40 | HGD-50 | 70 | 24 | 110 | 100 | 196 790 | HMVA-DLA40 |
| | | | | | | 178 213 | HMSV-33 |
| | | | | | | | |

System components
Adapters

3.2

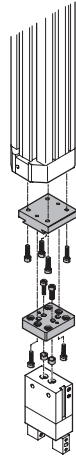
DG.../HGP, HGW, HGR combination

Technical data



Adapter kit HMVA, HAPG, HMSV

Material:
Wrought aluminium alloy, anodised
Centring sleeves: High-alloy steel
Free of copper, PTFE and silicone



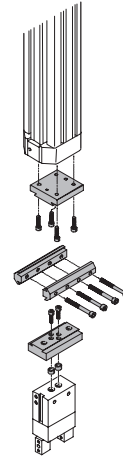
DGPL
DGPII
DGE-KF
DGE-RF
DGEA

HMVA

HAPG

HGP

Direct mounting



DGPL
DGPII
DGE-KF
DGE-RF
DGEA

HMVA

HMSV
HMSV

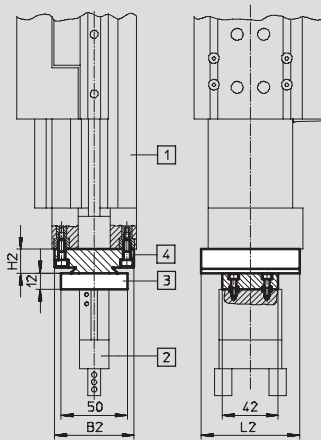
HGP

Dovetail mounting

Dimensions

Download CAD data → www.festo.com/en/engineering

Direct mounting



- 1 Linear drive
- 2 Gripper
- 3 Adapter kit HAPG
- 4 Adapter kit HMVA

| Drive | Gripper | B2 | H2 | L2 | Part No. | Type | Part No. | Type |
|-----------|---------|----|----|----|----------|---------------|----------|------------|
| DGP...-25 | HGP-06 | 50 | 14 | 50 | 196 788 | HMVA-DLA18/25 | 192 706 | HAPG-37-S1 |
| DGE-25 | HGR-10 | | | | | | | |
| DGEA-18 | HGW-10 | | | | | | | |
| DGP...-32 | | 60 | 18 | 74 | 196 789 | HMVA-DL32 | | |
| DGP...-40 | | 60 | 18 | 74 | 196 790 | HMVA-DLA40 | | |
| DGE-40 | | | | | | | | |
| DGP...-25 | HGP-10 | 50 | 14 | 50 | 196 788 | HMVA-DLA18/25 | 192 705 | HAPG-36-S1 |
| DGE-25 | HGR-16 | | | | | | | |
| DGEA-18 | HGW-16 | | | | | | | |
| DGP...-32 | | 60 | 18 | 74 | 196 789 | HMVA-DL32 | | |
| DGP...-40 | | 60 | 18 | 74 | 196 790 | HMVA-DLA40 | | |
| DGE-40 | | | | | | | | |
| DGP...-25 | HGP-16 | 50 | 14 | 50 | 196 788 | HMVA-DLA18/25 | 193 922 | HAPG-37-S4 |
| DGE-25 | HGR-25 | | | | | | | |
| DGEA-18 | HGW-25 | | | | | | | |
| DGP...-32 | | 60 | 18 | 74 | 196 789 | HMVA-DL32 | | |
| DGP...-40 | | 60 | 18 | 74 | 196 790 | HMVA-DLA40 | | |
| DGE-40 | | | | | | | | |

DG.../HGP, HGW, HGR combination

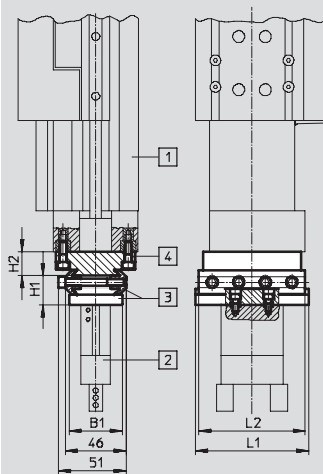
Technical data



Dimensions and ordering data

Download CAD data → www.festo.com/en/engineering

Dovetail mounting



- 1 Linear drive
- 2 Gripper
- 3 Adapter kit HMSV
- 4 Adapter kit HMVA

| Drive | Gripper | B1 | H1 | H2 | L1 | L2 | Part No. | Type | Part No. | Type |
|--------------------------------|----------------------------|----|----|----|-----|-----|----------|---------------|----------|---------|
| DGP...-25 DGE-25 DGEA-18 | HGP-10 HGR-16 HGW-16 | 40 | 22 | 14 | 85 | 80 | 196 788 | HMVA-DLA18/25 | 177 767 | HMSV-27 |
| DGP...-32 | | 40 | 22 | 18 | 85 | 80 | 196 789 | HMVA-DL32 | | |
| DGP...-40 DGE-40 | | 40 | 22 | 18 | 85 | 80 | 196 790 | HMVA-DLA40 | | |
| DGP...-25 DGE-25 DGEA-18 | HGP-16 HGR-25 HGW-25 | 40 | 22 | 14 | 85 | 80 | 196 788 | HMVA-DLA18/25 | 177 768 | HMSV-28 |
| DGP...-32 | | 40 | 22 | 18 | 85 | 80 | 196 789 | HMVA-DL32 | | |
| DGP...-40 DGE-40 | | 40 | 22 | 18 | 85 | 80 | 196 790 | HMVA-DLA40 | | |
| DGP...-32 | HGP-25 | 50 | 24 | 18 | 100 | 100 | 196 789 | HMVA-DL32 | 177 769 | HMSV-29 |
| DGP...-40 DGE-40 | HGR-32 HGW-32 | 50 | 24 | 18 | 100 | 100 | 196 790 | HMVA-DLA40 | | |
| DGP...-40 DGE-40 | HGP-35 HGR-40 HGW-40 | 60 | 28 | 18 | 110 | 100 | 196 790 | HMVA-DLA40 | 177 770 | HMSV-30 |

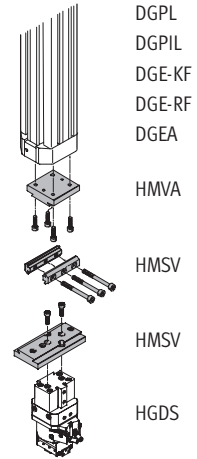
DG.../HGDS combination

Technical data



Adapter kit HMVA, HMSV

Material:
Wrought aluminium alloy, anodised
Centring sleeves: High-alloy steel
Free of copper, PTFE and silicone

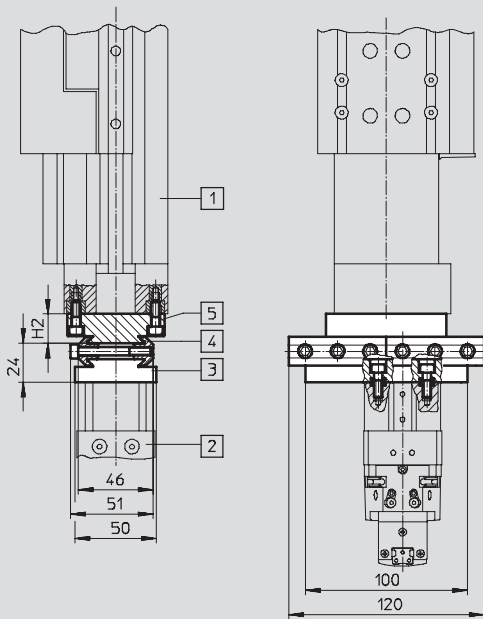


Dovetail mounting

Dimensions and ordering data

Download CAD data → www.festo.com/en/engineering

Dovetail mounting



- 1 Linear drive
- 2 Swivel/gripper unit
- 3 Adapter kit HMSV
- 4 Adapter kit HMSV
- 5 Adapter kit HMVA

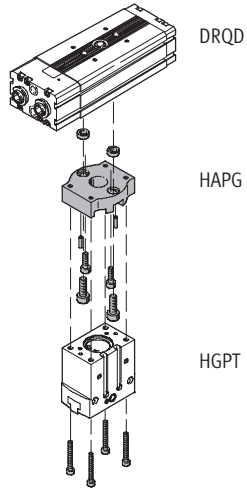
| Drive | Gripper | H2 | Part No. | Type | Part No. | Type |
|-----------|----------------|----|----------|---------------|----------|---------|
| DGP...-25 | HGDS-12 ... 20 | 14 | 196 788 | HMVA-DLA18/25 | 177 653 | HMSV-7 |
| DGE-25 | | | | | 534 290 | HMSV-38 |
| DGEA-18 | | | | | | |
| DGP...-32 | HGDS-12 ... 20 | 18 | 196 789 | HMVA-DL32 | | |
| DGP...-40 | | | | | | |
| DGE-40 | HGDS-12 ... 20 | 18 | 196 790 | HMVA-DLA40 | | |

DRQD/HGPT combination

Technical data

Adapter kit HAPG

Material:
Wrought aluminium alloy, anodised
Centring pins/sleeves: High-alloy steel
Free of copper, PTFE and silicone

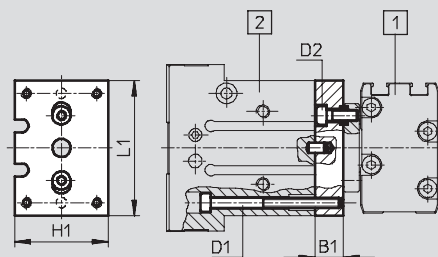


Direct mounting
DRQD-...-FW with flanged shaft

Dimensions and ordering data

Download CAD data → www.festo.com/en/engineering

Direct mounting via flanged shaft and air throughfeed



- 1 Drive
- 2 Gripper

| Drive | Gripper | B1 | D1 | D2 | H1 | L1 | Part No. | Type |
|---|-------------|----|------|----|------|-----|----------|-------------|
| Flanged shaft with air throughfeed SD... | | | | | | | | |
| DRQD-12 | HGPT-16 | 11 | M2 | M3 | 35.5 | 34 | 537 171 | HAPG-SD2-22 |
| DRQD-16 | | | | M4 | | | | |
| DRQD-12 | HGPT-20 | 11 | M3 | M3 | 44 | 34 | 537 177 | HAPG-SD2-24 |
| DRQD-16 | | | | M4 | | | | |
| DRQD-16/-20 | HGPT-25 | 11 | M4 | M4 | 36 | 52 | 537 181 | HAPG-SD2-25 |
| DRQD-20 | HGPT-35 | 12 | M4 | M4 | 42 | 64 | 537 173 | HAPG-SD2-23 |
| DRQD-25 | | | | M6 | | | | |
| DRQD-25/-32 | HGPT-40 | 15 | M5 | M6 | 50 | 80 | 537 184 | HAPG-SD2-26 |
| DRQD-32 | HGPT-50 | 15 | M6 | M8 | 85.5 | 100 | 537 186 | HAPG-SD2-27 |
| DRQD-40 | | | | M6 | | | | |
| DRQD-40/-50 | HGPT-63 | 15 | M6 | M8 | 83 | 125 | 537 188 | HAPG-SD2-28 |
| Flanged shaft with air throughfeed E... | | | | | | | | |
| DRQD-16 | HGPT-16 | 8 | M2.5 | M4 | 35 | 44 | 544 641 | HAPG-SD2-47 |
| | HGPT-20 | | M3 | | | | | |
| DRQD-16 | HGPT-25 | 9 | M4 | M4 | 42 | 64 | 544 642 | HAPG-SD2-48 |
| DRQD-20 | HGPT-25/-35 | 9 | M4 | M4 | 42 | 64 | 544 642 | HAPG-SD2-48 |
| DRQD-25 | HGPT-35 | 12 | M4 | M4 | 42 | 64 | 537 173 | HAPG-SD2-23 |
| DRQD-25/-32 | HGPT-40 | 15 | M5 | M6 | 50 | 80 | 537 184 | HAPG-SD2-26 |
| DRQD-32 | HGPT-50 | 11 | M6 | M6 | 60 | 100 | 544 643 | HAPG-SD2-49 |

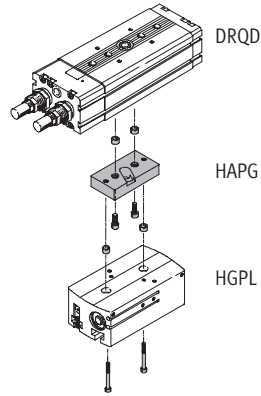
DRQD/HGPL combination

Technical data



Adapter kit HAPG

Material:
Wrought aluminium alloy, anodised
Centring sleeves: High-alloy steel
Free of copper, PTFE and silicone

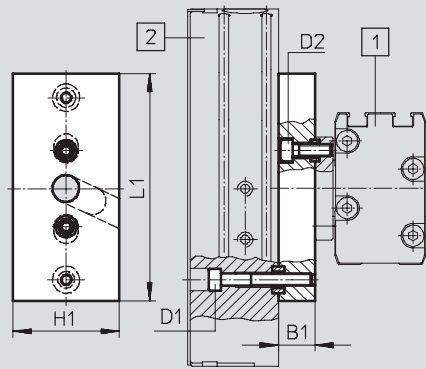


Direct mounting
DRQD-...-FW with flanged shaft

Dimensions and ordering data

Download CAD data → www.festo.com/en/engineering

Direct mounting via flanged shaft and air throughfeed



Note

Only in combination with semi-rotary drive DRQD-...-YSRJ (with adjustable shock absorbers).

- 1 Drive
- 2 Gripper

| Drive | Gripper | B1 | D1 | D2 | H1 | L1 | Part No. | Type |
|---|---------|----|----|----|----|-----|----------|-------------|
| Flanged shaft with air throughfeed SD... | | | | | | | | |
| DRQD-16 | HGPL-14 | 12 | M4 | M4 | 35 | 75 | 537 310 | HAPG-SD2-31 |
| DRQD-20 | | | | | | | | |
| DRQD-25 | HGPL-25 | 14 | M5 | M6 | 60 | 75 | 537 311 | HAPG-SD2-29 |
| DRQD-32 | | | | | | | | |
| DRQD-40 | HGPL-40 | 20 | M8 | M8 | 60 | 120 | 537 312 | HAPG-SD2-30 |
| DRQD-50 | | | | | | | | |
| Flanged shaft with air throughfeed E... | | | | | | | | |
| DRQD-16 | HGPL-14 | 9 | M4 | M4 | 35 | 75 | 544 644 | HAPG-SD2-45 |
| DRQD-20 | | | | | | | | |
| DRQD-25 | HGPL-25 | 11 | M5 | M6 | 60 | 75 | 544 645 | HAPG-SD2-46 |
| DRQD-32 | | | | | | | | |

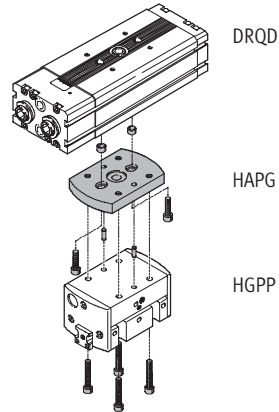
DRQD/HGPP combination

Technical data

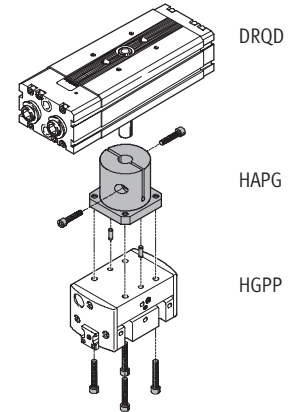


Adapter kit HAPG

Material:
Wrought aluminium alloy, anodised
Centring pins/sleeves: High-alloy steel
Free of copper, PTFE and silicone



Direct mounting
DRQD-...-FW with flanged shaft

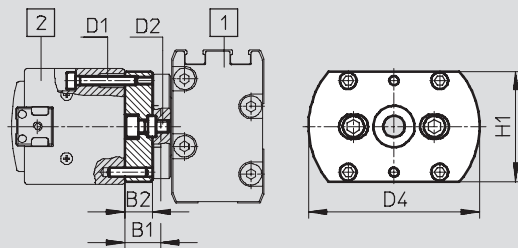


Direct mounting
DRQD-...-ZW with spigot shaft

Dimensions and ordering data

Download CAD data → www.festo.com/en/engineering

Direct mounting via flanged shaft and air throughfeed SD.../E...



- 1 Drive
- 2 Gripper

| Drive | Gripper | B1 | B2 | D1 | D2 | D4 ∅ | H1 | Part No. | Type |
|--|---------|------|----|----|----|---------|----|----------|-------------|
| DRQD-16-FW DRQD-20-FW | HGPP-12 | 11.8 | 9 | M3 | M4 | 56 | 36 | 191 255 | HAPG-SD2-14 |
| DRQD-20-FW DRQD-25-FW | HGPP-16 | 11.8 | 9 | M3 | M4 | 80 | 40 | 191 256 | HAPG-SD2-15 |
| | | | | | M6 | | | | |
| DRQD-25-FW DRQD-32-FW | HGPP-20 | 11.8 | 9 | M4 | M6 | 90 | 46 | 191 257 | HAPG-SD2-16 |
| DRQD-16-FW DRQD-20-FW | HGPP-10 | 11.8 | 9 | M3 | M4 | 43 | 31 | 526 023 | HAPG-SD2-17 |
| DRQD-32-FW DRQD-40-FW DRQD-50-FW | HGPP-25 | 17.8 | 15 | M5 | M6 | 120 | 53 | 526 024 | HAPG-SD2-18 |
| | | | | | M8 | | | | |
| | | | | | | | | | |
| DRQD-40-FW DRQD-50-FW | HGPP-32 | 18.8 | 15 | M5 | M8 | 153 | 60 | 526 025 | HAPG-SD2-19 |

DRQD/HGPP combination

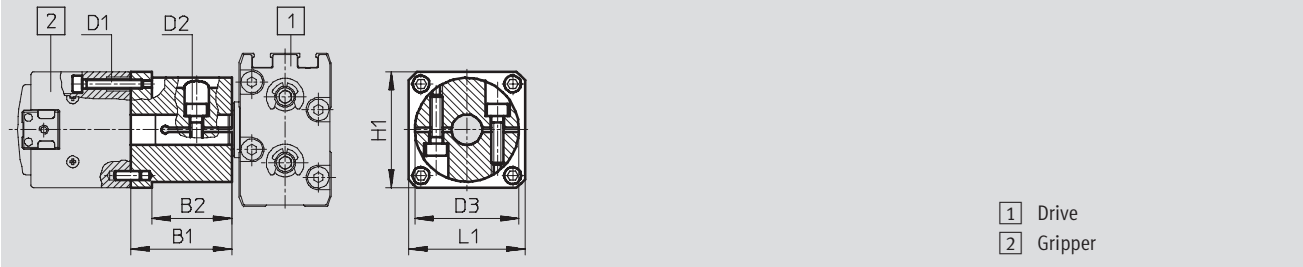
Technical data



Dimensions and ordering data

Download CAD data → www.festo.com/en/engineering

Direct mounting via spigot shaft



| Drive | Gripper | B1 | B2 | D1 | D2 | D3 ∅ | H1 | L1 | Part No. | Type |
|------------|---------|----|----|----|----|---------|----|----|----------------|----------------|
| DRQD-16-ZW | HGPP-12 | 33 | 26 | M3 | M4 | 34 | 38 | 38 | 191 258 | HAPG-40 |
| DRQD-20-ZW | HGPP-12 | 41 | 34 | M3 | M5 | 38 | 38 | 38 | 191 259 | HAPG-41 |
| DRQD-25-ZW | HGPP-16 | 49 | 42 | M3 | M5 | 42 | 42 | 50 | 191 260 | HAPG-42 |
| DRQD-32-ZW | HGPP-20 | 52 | 42 | M4 | M5 | 45 | 48 | 48 | 191 261 | HAPG-43 |

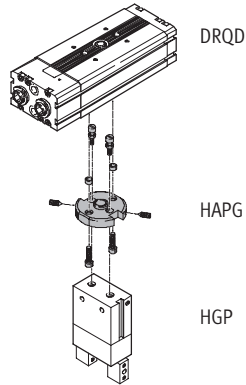
DRQD/HGP, HGD, HGW, HGR combination

Technical data

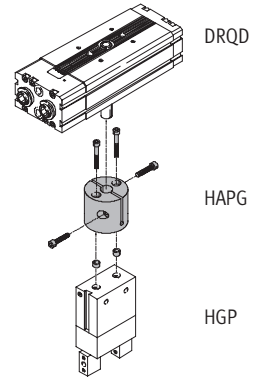


Adapter kit DRQD-...-AS, HAPG

Material:
Wrought aluminium alloy, anodised
Centring pins/sleeves: High-alloy steel
Free of copper, PTFE and silicone



Direct mounting
DRQD-...-FW with flanged shaft



Direct mounting
DRQD-...-ZW with spigot shaft

System components
Adapters

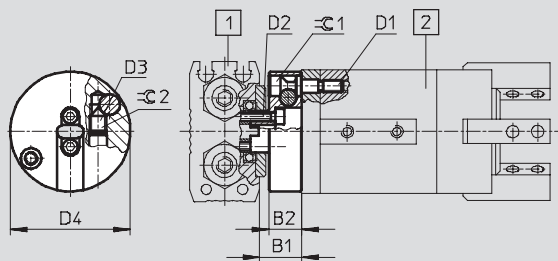
3.2

Dimensions and ordering data

Download CAD data → www.festo.com/en/engineering

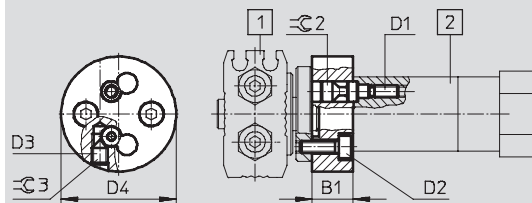
Direct mounting via flanged shaft and air throughfeed SD...

DRQD-...-AS1/-AS2



- 1 Drive
- 2 Gripper

HAPG-34/-35



- 1 Drive
- 2 Gripper

| Drive | Gripper | B1 | B2 | D1 | D2 | D3 | D4 | E1 | L1 | ≡C1 | ≡C2 | ≡C3 | Part No. | Type |
|--|------------------|------|----|----|----|----|----|----|----|-----|-----|-----|----------|------------------------------|
| Flanged shaft | | | | | | | | | | | | | | |
| DRQD-6-...-FW | HGP-6 | | | | | | | | | | | | 187 568 | HAPG-34 |
| DRQD-8-...-FW | HGR-10 | 10 | - | M3 | M3 | M4 | 28 | - | - | 2.5 | 2.5 | 2 | | |
| DRQD-12-...-FW | HGW-10 | | | | | | | | | | | | | |
| DRQD-8-...-FW | HGD-16 | 8 | - | M3 | M3 | M4 | 29 | - | - | 2.5 | 2.5 | 2 | 187 569 | HAPG-35 |
| DRQD-12-...-FW | | | | | | | | | | | | | | |
| Flanged shaft and air throughfeed SD... | | | | | | | | | | | | | | |
| DRQD-8 | HGP-6 | | | | | | | | | | | | 187 432 | DRQD-8-...-AS1 ¹⁾ |
| DRQD-12 | HGR-10 HGW-10 | 10.2 | 8 | M3 | M2 | M4 | 28 | - | - | 2.5 | 2 | - | | |
| DRQD-8 | HGD-16 | 10.2 | 8 | M3 | M2 | M4 | 29 | - | - | 2.5 | 2 | - | 187 432 | DRQD-8-...-AS2 ¹⁾ |
| DRQD-12 | | | | | | | | | | | | | | |

1) Semi-rotary drives DRQD are ordered using the product modules with the corresponding adapter kit (code AS).

DRQD/HGP, HGD, HGW, HGR combination

Technical data

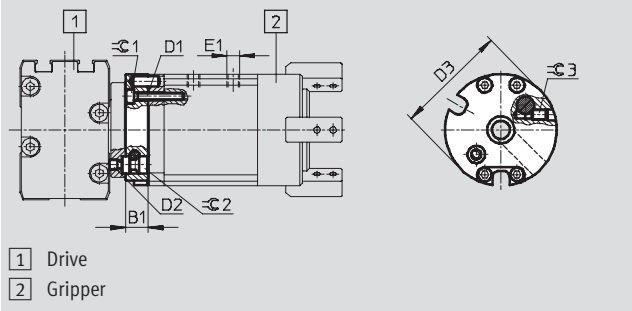
FESTO

Dimensions and ordering data

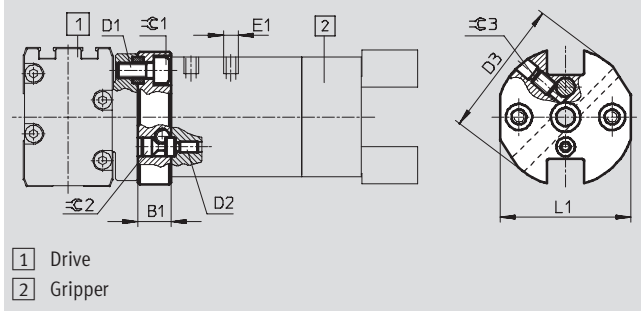
Download CAD data → www.festo.com/en/engineering

Direct mounting via flanged shaft with air throughfeed SD...

HAPG-SD2-5/-8/-11/-13/-20



HAPG-SD2-1/-2/-3/-4/-6/-7/-9/-10/-12/-21



| Drive | Gripper | B1 | B2 | D1 | D2 | D3 | D4 | E1 | L1 | ≅C1 | ≅C2 | ≅C3 | Part No. | Type |
|----------------------------------|--------------------------------------|----|----|----|----|----|----|----------|----|-----|-----|-----|----------|-------------|
| DRQD-16-...-FW | HGP-6 HGR-10 HGW-10 | 9 | - | M4 | M3 | 34 | - | M3 | - | 3 | 2.5 | 2 | 187 566 | HAPG-SD2-12 |
| DRQD-16-...-FW | HGD-16 | 9 | - | M3 | M4 | 34 | - | M3 | - | 2.5 | 3 | 2 | 187 567 | HAPG-SD2-13 |
| DRQD-16-...-FW | HGP-10 HGR-16 HGW-16 | 9 | - | M4 | M3 | 37 | - | M3 | 35 | 3 | 2.5 | 2 | 184 477 | HAPG-SD2-1 |
| DRQD-16-...-FW | HGP-16 HGR-25 HGW-25 | 9 | - | M4 | M4 | 42 | - | M3 M5 | 35 | 3 | 3 | 2 | 184 478 | HAPG-SD2-2 |
| DRQD-20-...-FW | HGP-16 HGP-20 HGR-25 HGW-25 | 9 | - | M4 | M4 | 42 | - | M3 M5 | 38 | 3 | 3 | 2 | 184 479 | HAPG-SD2-3 |
| DRQD-20-...-FW | HGP-25 HGR-32 HGW-32 | 9 | - | M4 | M6 | 44 | - | G1/8 | 38 | 3 | 5 | 2 | 184 480 | HAPG-SD2-4 |
| DRQD-20-...-FW | HGD-32 | 9 | - | M3 | M4 | 45 | - | M5 | - | 2.5 | 3 | 2 | 184 481 | HAPG-SD2-5 |
| DRQD-25-...-FW | HGP-16 HGP-20 HGR-25 HGW-25 | 9 | - | M6 | M4 | 50 | - | M3 M5 | 47 | 5 | 3 | 2 | 184 482 | HAPG-SD2-6 |
| DRQD-25-...-FW | HGP-25 HGR-32 HGW-32 | 9 | - | M6 | M6 | 50 | - | G1/8 | 47 | 5 | 5 | 2 | 184 483 | HAPG-SD2-7 |
| DRQD-25-...-FW | HGD-50 | 9 | - | M5 | M6 | 70 | - | G1/8 | - | 4 | 5 | 2 | 184 484 | HAPG-SD2-8 |
| DRQD-32-...-FW | HGP-25 HGR-32 HGW-32 | 9 | - | M6 | M6 | 60 | - | G1/8 | 58 | 5 | 5 | 2 | 184 485 | HAPG-SD2-9 |
| DRQD-32-...-FW | HGP-35 HGR-40 HGW-40 | 9 | - | M6 | M8 | 60 | - | G1/8 | 58 | 5 | 6 | 2 | 184 486 | HAPG-SD2-10 |
| DRQD-32-...-FW | HGD-50 | 9 | - | M5 | M6 | 70 | - | G1/8 | - | 4 | 5 | 2 | 184 487 | HAPG-SD2-11 |
| DRQD-40-...-FW DRQD-50-...-FW | HGD-50 | 15 | - | M5 | M8 | 90 | - | G1/8 | - | 6 | 6 | 2 | 526 026 | HAPG-SD2-20 |
| DRQD-40-...-FW DRQD-50-...-FW | HGP-35 HGR-40 HGW-40 | 12 | - | M8 | M8 | 80 | - | G1/8 | - | 6 | 6 | 2 | 526 027 | HAPG-SD2-21 |

System components
Adapters

3.2

DRQD/HGP, HGD, HGW, HGR combination

Technical data

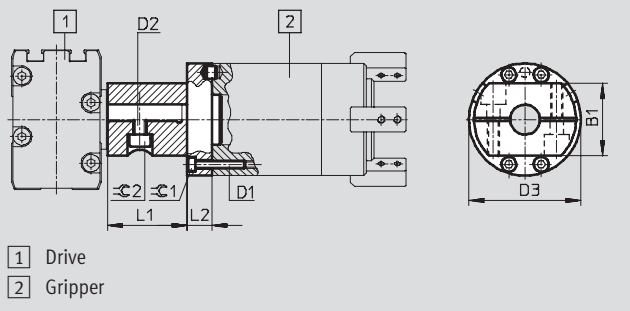


Dimensions and ordering data

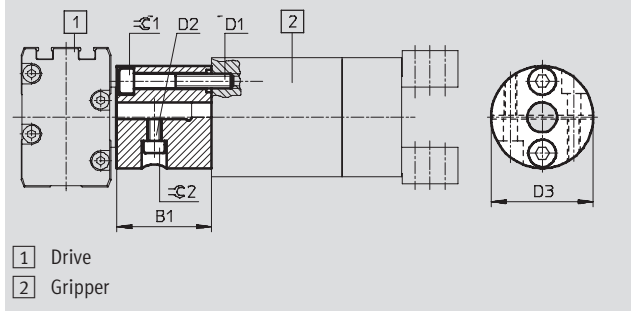
Download CAD data → www.festo.com/en/engineering

Direct mounting via spigot shaft

HAPG-23/-24



HAPG-18/-19/-20/-21/-22



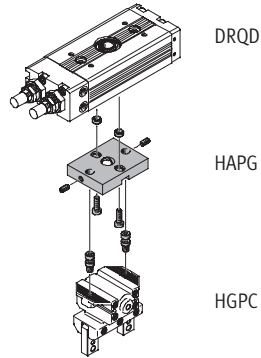
| Drive | Gripper | B1 | D1 | D2 | D3 | L1 | L2 | ≅ 1 | ≅ 2 | Part No. | Type |
|----------------|-------------------------------|----|----|----|----|----|----|-----|-----|----------|---------|
| DRQD-16-...-ZW | HGP-10 HGR-16 HGW-16 | 28 | M3 | M4 | 33 | - | - | 2.5 | 3 | 163 267 | HAPG-18 |
| DRQD-16-...-ZW | HGP-16/20 HGR-25 HGW-25 | 28 | M4 | M4 | 34 | - | - | 3 | 3 | 163 268 | HAPG-19 |
| DRQD-20-...-ZW | HGP-16/20 HGR-25 HGW-25 | 38 | M4 | M5 | 41 | - | - | 3 | 4 | 163 269 | HAPG-20 |
| DRQD-20-...-ZW | HGP-25 HGR-32 HGW-32 | 38 | M6 | M5 | 41 | - | - | 5 | 4 | 163 270 | HAPG-21 |
| DRQD-20-...-ZW | HGD-32 | 29 | M3 | M5 | 45 | 32 | 10 | 2.5 | 4 | 163 272 | HAPG-23 |
| DRQD-25-...-ZW | HGP-25 HGR-32 HGW-32 | 46 | M6 | M5 | 41 | - | - | 5 | 4 | 163 271 | HAPG-22 |
| DRQD-25-...-ZW | HGD-50 | 29 | M5 | M5 | 70 | 42 | 12 | 4 | 4 | 163 273 | HAPG-24 |

DRQD/HGPC combination

Technical data

Adapter kit HAPG

Material:
Wrought aluminium alloy, anodised
Centring sleeves: High-alloy steel
Free of copper, PTFE and silicone

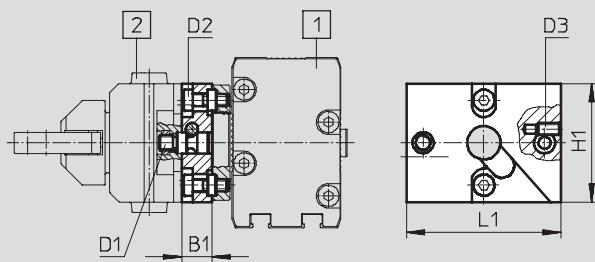


Direct mounting
DRQD...-FW with flanged shaft

Dimensions and ordering data

Download CAD data → www.festo.com/en/engineering

Direct mounting via flanged shaft and air throughfeed



| Drive | Gripper | B1 | D1 | D2 | D3 | H1 | L1 | Part No. | Type |
|--|---------|----|----|----|----|------|----|----------|-------------|
| Flanged shaft with air throughfeed SD... | | | | | | | | | |
| DRQD-12 | HGPC-12 | 10 | M4 | M4 | M4 | 32.6 | 42 | 542 671 | HAPG-SD2-41 |
| DRQD-16 | | | | | | | | | |
| DRQD-16 | HGPC-16 | 10 | M5 | M4 | M4 | 39 | 51 | 542 668 | HAPG-SD2-42 |
| DRQD-20 | | | | | | | | | |
| DRQD-20 | HGPC-20 | 9 | M6 | M4 | M4 | 50 | 65 | 542 669 | HAPG-SD2-43 |
| DRQD-25 | HGPC-20 | 9 | M6 | M6 | M4 | 50 | 65 | 542 758 | HAPG-SD2-44 |

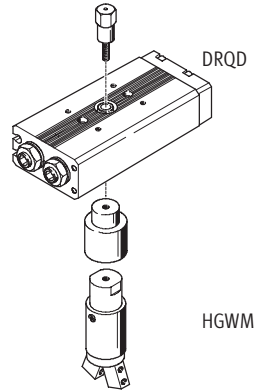
DRQD/HGPM, HGWM combination

Technical data



Adapter kit DRQD-...-A...-HS

Material:
Zinc-coated steel
Free of copper, PTFE and silicone

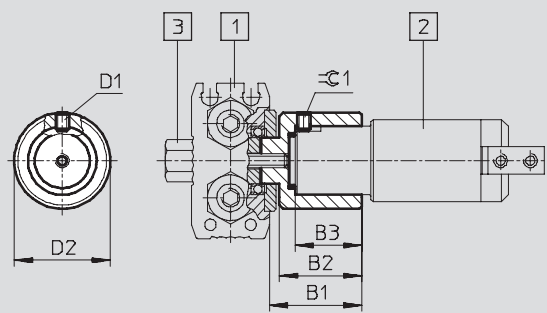


Direct mounting
via hollow bolt

Dimensions and ordering data

Download CAD data → www.festo.com/en/engineering

Direct mounting via hollow bolt



- 1 Drive
- 2 Gripper
- 3 Hollow bolt

| Drive | Gripper | B1 | B2 | B3 | D1 | D2 | ±0.1 | Part No. | Type |
|---------|----------------|------|----|------|----|----|------|----------|----------------------------------|
| DRQD-6 | HGPM-08-...-G8 | 15.2 | 13 | 9.6 | M3 | 16 | 1.5 | 187 431 | DRQD-6-...-A08-HS ¹⁾ |
| DRQD-8 | HGWM-08-...-G8 | | | | | | | 187 432 | DRQD-8-...-A08-HS ¹⁾ |
| DRQD-12 | | | | | | | | 187 433 | DRQD-12-...-A08-HS ¹⁾ |
| DRQD-6 | HGPM-12-...-G8 | 20.2 | 18 | 14.6 | M3 | 21 | 1.5 | 187 431 | DRQD-6-...-A12-HS ¹⁾ |
| DRQD-8 | HGWM-12-...-G8 | | | | | | | 187 432 | DRQD-8-...-A12-HS ¹⁾ |
| DRQD-12 | | | | | | | | 187 433 | DRQD-12-...-A12-HS ¹⁾ |

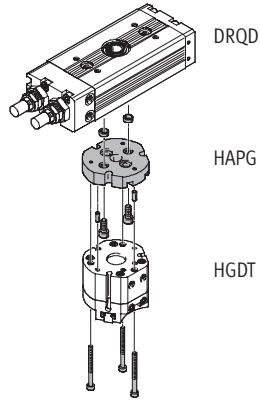
1) Semi-rotary drives DRQD are ordered using the product modules with the corresponding adapter kit (code A...) and hollow bolt (code HS)

DRQD/HGDT combination

Technical data

Adapter kit HAPG

Material:
Wrought aluminium alloy, anodised
Centring pins/sleeves: High-alloy steel
Free of copper, PTFE and silicone

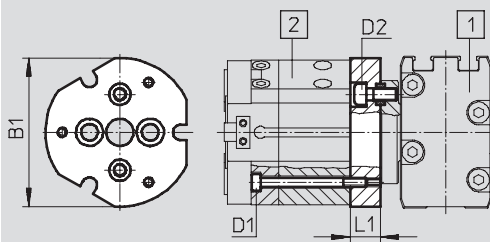


Direct mounting
DRQD-...-FW with flanged shaft

Dimensions and ordering data

Download CAD data → www.festo.com/en/engineering

Direct mounting via flanged shaft and air throughfeed



- 1 Drive
- 2 Gripper

| Drive | Gripper | B1 | D1 | D2 | L1 | Part No. | Type |
|---|---------|----|----|----|------|----------|-------------|
| Flanged shaft with air throughfeed SD... and E... | | | | | | | |
| DRQD-16 | HGDT-25 | 49 | M3 | M4 | 10 | 542 439 | HAPG-SD2-32 |
| DRQD-20 | HGDT-25 | 49 | M3 | M4 | 10 | 542 440 | HAPG-SD2-33 |
| DRQD-25 | | | | M6 | | | |
| DRQD-20 | HGDT-35 | 58 | M3 | M4 | 10 | 542 441 | HAPG-SD2-34 |
| DRQD-25 | | | | M6 | | | |
| DRQD-32 | | | | M6 | | | |
| DRQD-25 | HGDT-40 | 74 | M5 | M6 | 10 | 542 442 | HAPG-SD2-35 |
| DRQD-32 | | | | | | | |
| DRQD-32 | HGDT-50 | 92 | M6 | M5 | 11.5 | 542 443 | HAPG-SD2-36 |

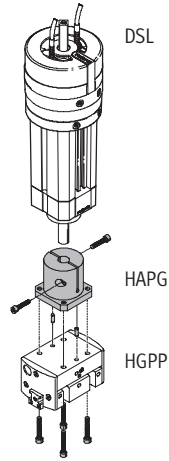
DSL, DSM/HGPP combination

Technical data

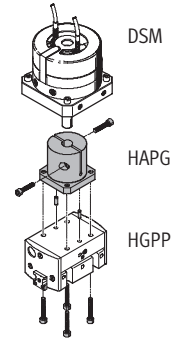


Adapter kit HAPG

Material:
Wrought aluminium alloy, anodised
Centring pins/sleeves: High-alloy steel
Free of copper, PTFE and silicone



Direct mounting
DSL-...-KF with spigot shaft

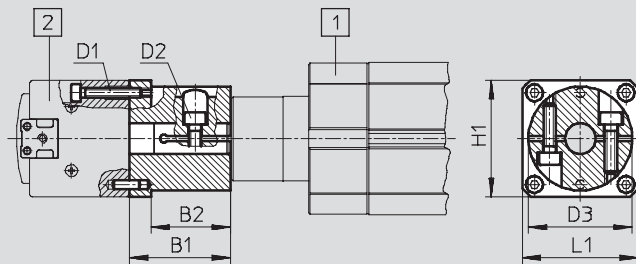


Direct mounting
DSM with spigot shaft

Dimensions and ordering data

Download CAD data → www.festo.com/en/engineering

Direct mounting via spigot shaft



- 1 Drive
- 2 Gripper

| Drive | Gripper | B1 | B2 | D1 | D2 | D3 Ø | H1 | L1 | Part No. | Type |
|---------------------|---------|----|----|----|----|---------|----|----|----------|---------|
| DSL-20-KF DSM-16 | HGPP-12 | 33 | 26 | M3 | M4 | 3 | 38 | 38 | 191 258 | HAPG-40 |
| DSL-25-KF DSM-25 | HGPP-12 | 41 | 34 | M3 | M5 | 38 | 38 | 38 | 191 259 | HAPG-41 |
| DSL-32-KF DSM-32 | HGPP-16 | 49 | 42 | M3 | M5 | 42 | 42 | 50 | 191 260 | HAPG-42 |
| DSL-40-KF DSM-40 | HGPP-20 | 52 | 42 | M4 | M5 | 45 | 48 | 48 | 191 261 | HAPG-43 |

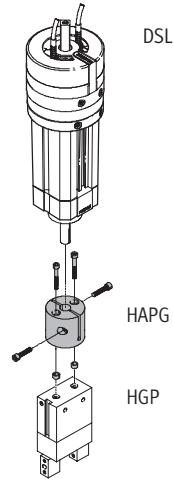
DSL, DSM/HGP, HGD, HGW, HGR combination

Technical data

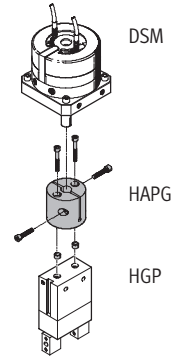


Adapter kit HAPG

Material:
Wrought aluminium alloy, anodised
Centring sleeves: High-alloy steel
Free of copper, PTFE and silicone



Direct mounting
DSL with spigot shaft



Direct mounting
DSM with spigot shaft

System components
Adapters

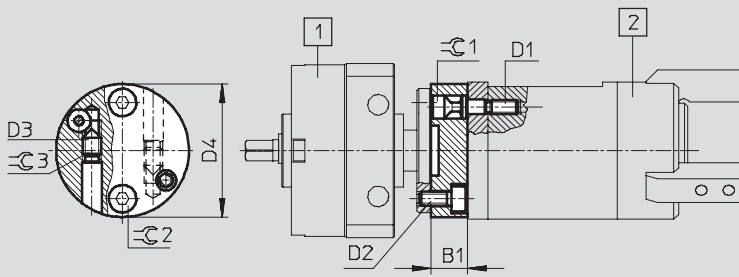
3.2

Dimensions and ordering data

Download CAD data → www.festo.com/en/engineering

Direct mounting via flanged shaft

HAPG-34/-35 for parallel gripper HGP, three-point gripper HGD, radial gripper HGR, angle gripper HGW



- 1 Drive
- 2 Gripper

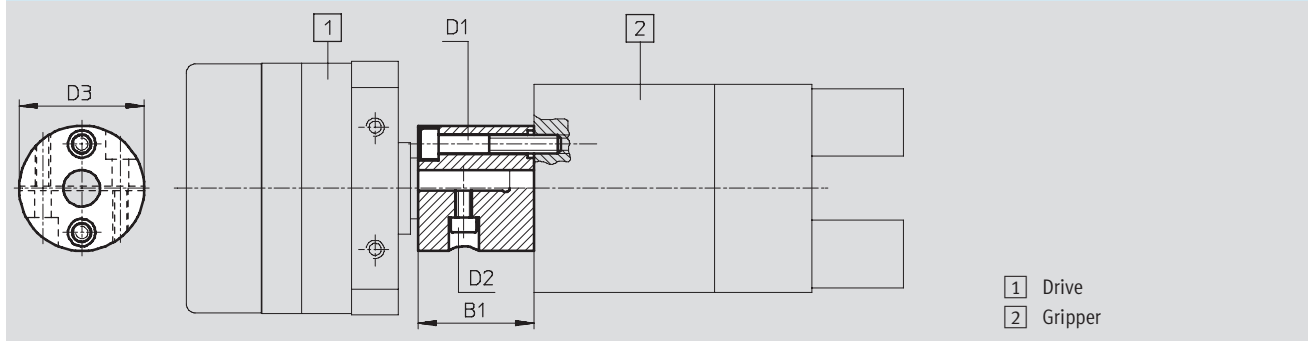
| Drive | Gripper | B1 | D1 | D2 | D3 | D4 | L1 | L2 | $\ominus 1$ | $\ominus 2$ | $\ominus 3$ | Part No. | Type |
|--------------|---------------------------|----|----|----|----|----|----|----|-------------|-------------|-------------|----------|---------|
| DSM-6/-8/-10 | HGP-6 HGR-10 HGW-10 | 10 | M3 | M3 | M4 | 28 | - | - | 2.5 | 2.5 | 2 | 187 568 | HAPG-34 |
| DSM-8/-10 | HGD-16 | 8 | M3 | M3 | M4 | 29 | - | - | 2.5 | 2.5 | 2 | 187 569 | HAPG-35 |

DSL, DSM/HGD, HGP, HGW, HGR combination

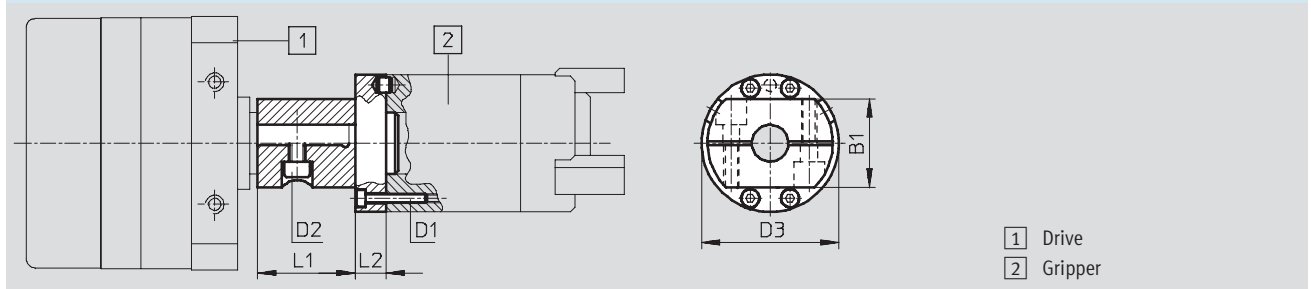
Technical data

Dimensions and ordering data Download CAD data → www.festo.com/en/engineering

Direct mounting via spigot shaft
 HAPG-17 ... 22 for parallel gripper HGP, radial gripper HGR, angle gripper HGW



Direct mounting via spigot shaft
 HAPG-23/-24 for three-point gripper HGD



| Drive | Gripper | B1 | D1 | D2 | D3 | D4 | L1 | L2 | ≅C 1 | ≅C 2 | ≅C 3 | Part No. | Type |
|------------------|--------------------------------------|----|----|----|----|----|----|----|------|------|------|----------|---------|
| DSM-12 DSL-16 | HGP-10 HGR-16 HGW-16 | 27 | M3 | M3 | 24 | - | - | - | 2.5 | 2.5 | - | 163 266 | HAPG-17 |
| DSM-16 DSL-20 | HGP-10 HGR-16 HGW-16 | 28 | M3 | M4 | 33 | - | - | - | 2.5 | 3 | - | 163 267 | HAPG-18 |
| DSM-16 DSL-20 | HGP-16 HGP-20 HGR-25 HGW-25 | 28 | M4 | M4 | 34 | - | - | - | 3 | 3 | - | 163 268 | HAPG-19 |
| DSM-25 DSL-25 | HGP-16 HGP-20 HGR-25 HGW-25 | 38 | M4 | M5 | 41 | - | - | - | 3 | 4 | - | 163 269 | HAPG-20 |
| DSM-25 DSL-25 | HGP-25 HGR-32 HGW-32 | 38 | M6 | M5 | 41 | - | - | - | 5 | 4 | - | 163 270 | HAPG-21 |
| DSM-32 DSL-32 | HGP-25 HGR-32 HGW-32 | 46 | M6 | M5 | 41 | - | - | - | 5 | 4 | - | 163 271 | HAPG-22 |
| DSM-25 DSL-25 | HGD-32 | 29 | M3 | M5 | 45 | - | 32 | 10 | 2.5 | 4 | - | 163 272 | HAPG-23 |
| DSM-32 DSL-32 | HGD-50 | 29 | M5 | M5 | 70 | - | 42 | 12 | 4 | 4 | - | 163 273 | HAPG-24 |

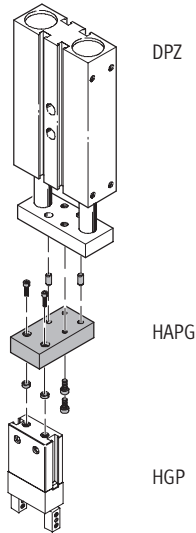
DPZ/HGP, HGW, HGR combination

Technical data



Adapter kit HAPG

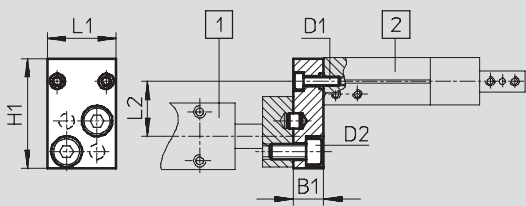
Material:
Wrought aluminium alloy, anodised
Centring pins/sleeves: High-alloy steel
Free of copper, PTFE and silicone



Dimensions and ordering data

Download CAD data → www.festo.com/en/engineering

HAPG-1/-2



- 1 Drive
- 2 Gripper

| Drive | Gripper | B1 | D1 | D2 | H1 | L1 | L2 | Part No. | Type |
|---------|---------|----|----|----|----|------|----|----------------|---------------|
| DPZ-10 | HGP-10 | 10 | M3 | M5 | 36 | 22.6 | 18 | 163 250 | HAPG-1 |
| DPZ-16 | HGR-16 | | | | | | | | |
| DPZJ-10 | HGW-16 | | | | | | | | |
| DPZJ-16 | | | | | | | | | |
| DPZ-16 | HGP-16 | 10 | M4 | M5 | 36 | 34.6 | 18 | 163 251 | HAPG-2 |
| DPZJ-16 | HGP-20 | | | | | | | | |
| | HGR-25 | | | | | | | | |
| | HGW-25 | | | | | | | | |

DPZ/HGP, HGW, HGR combination

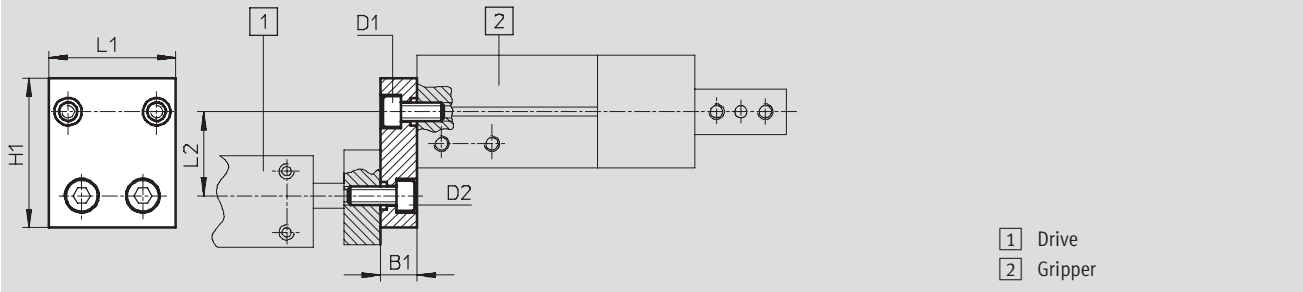
Technical data



Dimensions and ordering data

Download CAD data → www.festo.com/en/engineering

HAPG-3/-4



- 1 Drive
- 2 Gripper

| Drive | Gripper | B1 | D1 | D2 | H1 | L1 | L2 | Part No. | Type |
|--|--------------------------------------|----|----|----|----|------|------|----------|--------|
| DPZ-20 DPZJ-20 | HGP-16 HGP-20 HGR-25 HGW-25 | 12 | M4 | M6 | 37 | 34.6 | 19 | 163 252 | HAPG-3 |
| DPZ-25 DPZ-32 DPZJ-25 DPZJ-32 | HGP-25 HGR-32 HGW-32 | 12 | M6 | M6 | 49 | 41.5 | 27.5 | 163 253 | HAPG-4 |

System components
Adapters

3.2