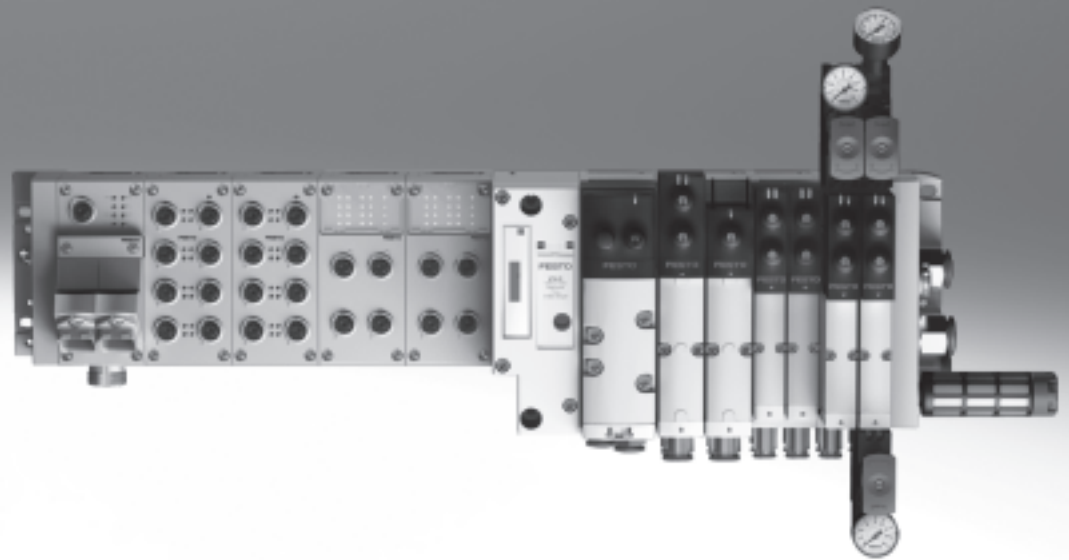


Valve manifolds type 44 VTSA, ISO 15407-2/ISO 5599-2

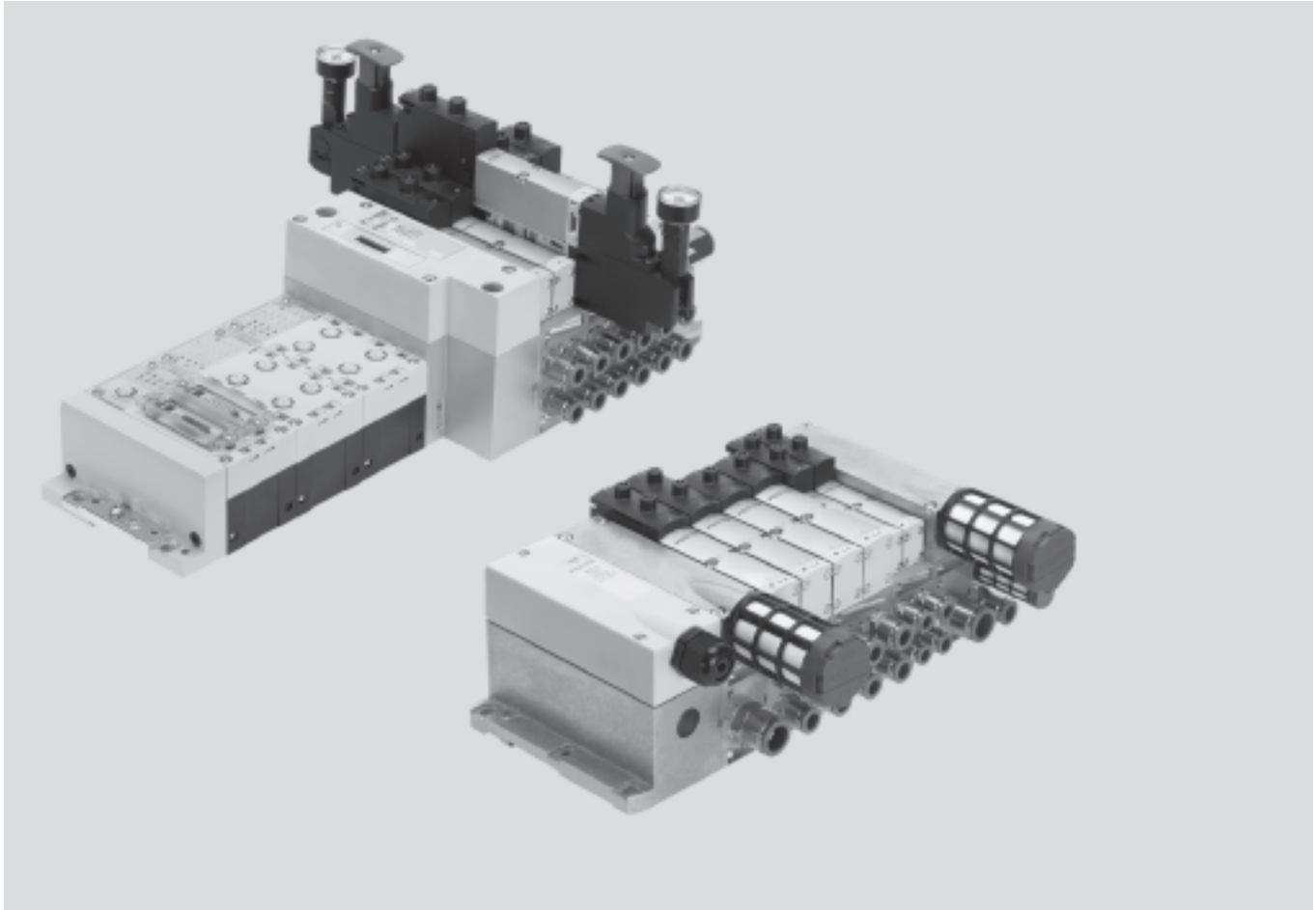
FESTO



Valve manifolds type 44 VTSA, ISO 15407-2/ISO 5599-2

FESTO

Key features



Innovative

- High-performance valves in sturdy metal housing
- Standardized from the multi-pin plug connection to the fieldbus connection and control block
- Dream team: fieldbus valve manifold suitable for CPX electrical peripherals. This means:
 - Forward-looking internal communication system for controlling the valves and CPX modules

Versatile

- Modular system offering a range of configuration options
- Expandable up to 32 solenoid coils
- Conversions and extensions are possible at any time
- Manifold sub-bases can be extended using four screws, sturdy duct separation on metal substrate
- Integration of innovative function modules possible
- Supply plates enable a flexible air supply and variable pressure zones
- Reverse operation
- Wide pressure range
–0.9 ... 10 bar
- Wide range of valve functions
- Valve supply: 24 V DC or 110 V AC

Reliable

- Sturdy and durable metal components
 - Valves
 - Manifold sub-bases
 - Seals
- Fast troubleshooting thanks to LEDs on the valves and diagnostics via fieldbus
- Reliability of service thanks to valves that can be replaced easily and quickly
- Manual override either non-detenting, non-detenting/detenting or with cover
- Durable, thanks to tried and tested spool valves
- Large and durable labelling system
- 100% duty cycle

Easy to assemble

- Tested and ready to install unit
- Lower selection, ordering, installation and commissioning costs
- Secure mounting on wall or H-rail

Valve manifolds type 44 VTSA, ISO 15407-2/ISO 5599-2



Key features

Reduced downtimes:
On-the-spot diagnostics via LEDs

Width 18 mm, 26 mm and 42 mm can be combined on a single terminal without adapter

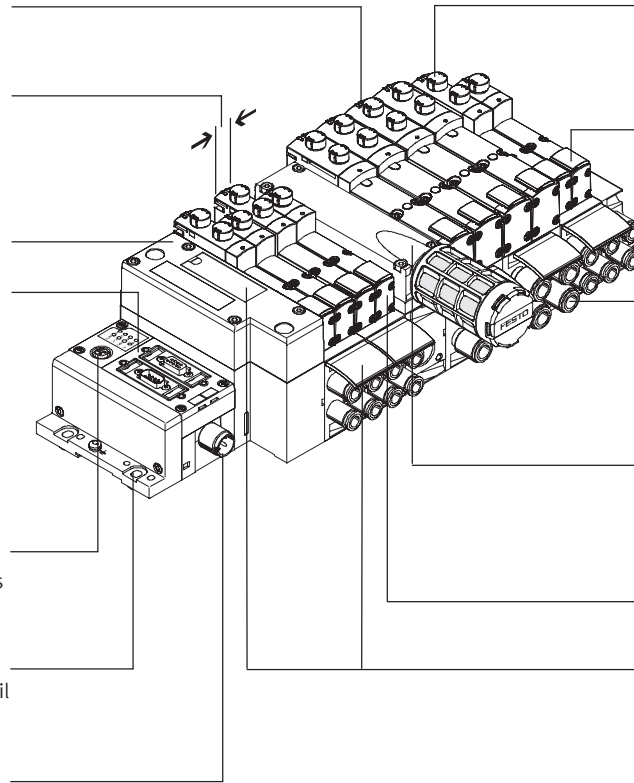
Pneumatic interface to CPX

Simple electrical connections
– Fieldbus connection via CPX
– Multi-pin plug connection with pre-assembled cable or terminal strip (Cage Clamp®)
– Control block via CPX
– AS-interface
– Individual connection

CPX diagnostic interface for handheld devices (channel-oriented diagnostics down to the individual valve)

Quick mounting:
Direct mounting using screws or H-rail

Safe:
Valves, outputs and logic voltage can be switched off separately



Reliable operation:
Manual override:
non-detenting/detenting or covered

Flexible:
– 32 valve positions/32 solenoid coils
– One valve series for a wide range of flow rates

Functional:
Large ports, flow-optimised ducts, sturdy metal thread or pre-assembled QS fittings

Modular:
Supply plates facilitate the creation of multiple pressure zones as well as numerous additional exhaust and supply ports

Comprehensive range of valve functions

Practical:
Large inscription labels

Equipment options

Valve functions

- 5/2-way valve
 - Single solenoid, pneumatic spring/mechanical spring
 - Double solenoid
 - Double solenoid with dominant signal
- 2x 3/2-way valve, single solenoid
 - Normally open
 - Normally open, reversible
 - Normally closed
 - Normally closed, reversible
- 2x 3/2-way valve, single solenoid
 - 1x normally open, 1x normally closed
 - 1x normally open, 1x normally closed, reversible
- 5/3-way valve
 - Mid-position pressurised
 - Mid-position closed
 - Mid-position exhausted

Special features

Individual valve

- Electrical connection via standardized 4-pin M12 plug or via 4-pin clamped terminal connection for configuration by the user
- Available with internal/external pilot air supply

Terminal with individual connection

- Max. 32 valve positions/ max. 32 solenoid coils
- Any compressed air supply
- Any number of pressure zones

AS-interface

- 1 to 8 valve positions/ max. 8 solenoid coils

Multi-pin plug terminal

- Max. 32 valve positions/ max. 32 solenoid coils
- Parallel modular valve linking
- Any compressed air supply
- Any number of pressure zones

Fieldbus terminal/control block CPX

- Max. 32 valve positions/ max. 32 solenoid coils
- Any compressed air supply
- Any number of pressure zones

Fieldbus terminal/ electrical peripherals type 03

- Max. 26 valve positions/ max. 26 solenoid coils
- Any number of pressure zones

Combinable

- Width 18 mm: valve flow rate up to 550 l/min
- Width 26 mm: valve flow rate up to 1,100 l/min

- Width 42 mm: valve flow rate up to 1,500 l/min
- Width 42 mm, 26 mm and 18 mm can be combined on a single valve manifold

Note

Valve manifold type 44 VTSA complies with ISO 15407-2 in width 18 and 26 mm and with ISO 5599-2 in width 42 mm.

Valve manifolds type 44 VTSA, ISO 15407-2/ISO 5599-2



Key features

Valve manifold configurator

Online via: → www.festo.com/us/engineering

A valve manifold configurator is available to help you select a suitable VTSA valve manifold. This makes it much easier to find the right product.

The valve manifolds are fully assembled according to your order specifications and are individually tested. This reduces assembly and installation time to a minimum.

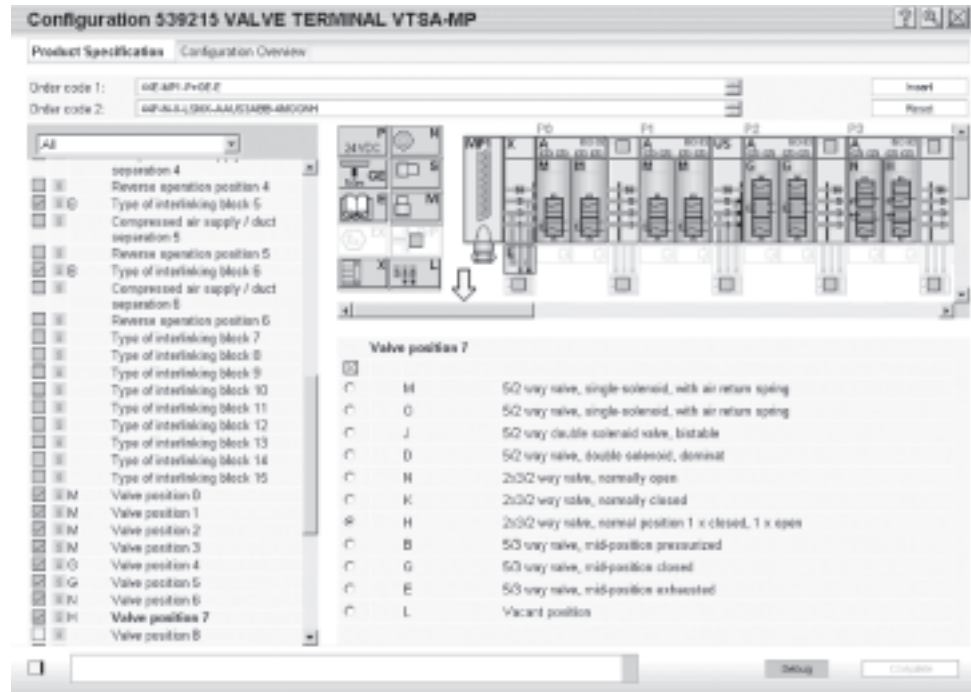
You order a valve manifold type 44 using the order code.

Ordering system for type 44

→ Internet: type 44

Ordering system for CPX

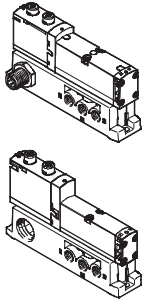
→ Internet: cpx



Valve manifolds type 44 VTSA, ISO 15407-2/ISO 5599-2

Key features

Individual connection

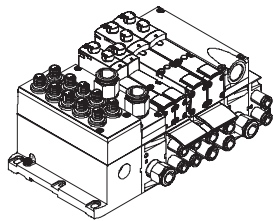


Valves on individual sub-bases can be used for actuators further away from the valve manifold.

The electrical connection is established using a standard 4-pin M12 plug 24 V DC (EN 61076-2-101) or it can be

configured by the user with a 4-pin clamped terminal connection or cable end 24 V DC or 110 V AC.

Terminal with individual connection

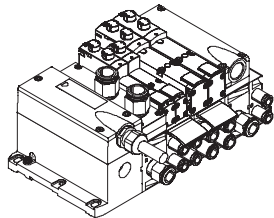


Control signals from the controller to the valve manifold are transmitted via an individual connecting cable.

The valve manifolds can be equipped with max. 20 valves and max. 20 solenoid coils.

The electrical connection is established via a 5-pin M12 plug 24 V DC.

Terminal with multi-pin plug connection



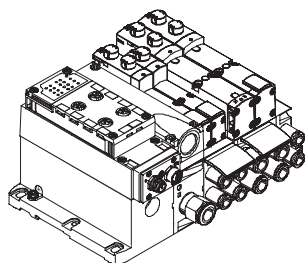
Control signals from the controller to the valve manifold are transmitted via a pre-assembled multi-wire cable or a self-assembled multi-pin plug connection (tension spring terminal), which substantially reduces installation time.

The valve manifolds can be equipped with max. 32 valves and max. 32 solenoid coils.

Versions

- Multi-pin plug connection with terminal strip (tension spring terminal) 24 V DC or 110 V AC
- Pre-assembled connecting cable 24 V DC
- Sub-D plug connector for assembly by the user, 37-pin
- Round plug connector M23, 19-pin, 24 V DC

AS-interface connection



A special feature of the AS-interface is the simultaneous transmission of data and supply power via a two-wire cable. The encoded cable profile prevents connection with incorrect polarity. The valve manifold with AS-interface can be configured as follows:

- With one to eight modular valve positions (max. 8 solenoid coils). This corresponds to one to eight VTSA valves.
 - With all available valve functions.
- The connection technology used for the

inputs can be selected as with CPX: M8, M12, quick connection, Sub-D, tension spring terminal (terminals to IP20).

Further information

➔ Internet: as-interface

Note

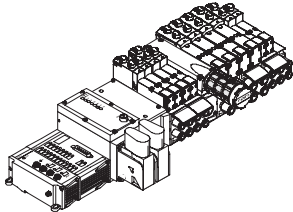
The valve manifold VTSA with AS-interface connection is based on the same electrical manifold module as the valve manifold with multi-pin plug connection. This means it is possible to convert a valve manifold with multi-pin

plug connection using an AS-interface module (➔ 86). The technical specifications of the AS-interface system must be observed in this case. ➔ Internet: as-interface

Valve manifolds type 44 VTSA, ISO 15407-2/ISO 5599-2

Key features

Terminal with fieldbus connection from the “Electrical peripherals type 03” system

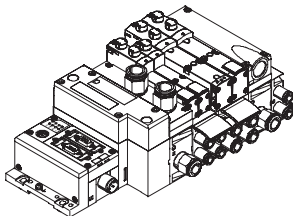


An integrated fieldbus node manages the communication connection to a higher-order PLC. This enables a space-saving pneumatic and electronic solution.

Up to 26 solenoid coils can be actuated using the fieldbus connection via the “Electrical peripherals type 03” system.

Versions
• Interbus
➔ Internet: type 03

Terminal with fieldbus connection from the CPX system

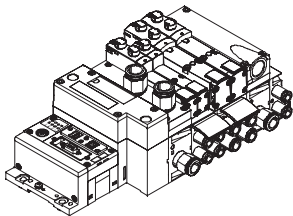


An integrated fieldbus node manages the communication connection to a higher-order PLC. This enables a space-saving pneumatic and electronic solution.

Valve manifolds with fieldbus interfaces can be configured with up to 16 manifold sub-bases. With 2 solenoid coils per connection, up to 32 solenoid coils can thus be actuated.

Versions
• Profibus DP
• Interbus
• DeviceNet
• CANopen
• CC-Link
• CPX terminal
• EtherCAT
➔ Internet: cpx

Terminal with control block connection from the CPX system

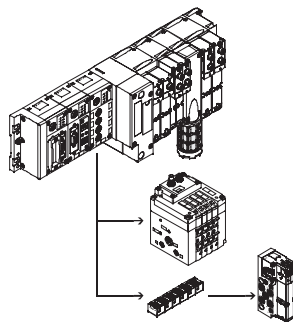


Controllers integrated in the Festo valve manifolds enable the construction of stand-alone control units to IP65, without control cabinets.

Using the slave operation mode, these valve manifolds can be used for intelligent pre-processing and are therefore ideal modules for designs using decentralised intelligence.

In the master operation mode, terminal groups can be designed with many options and functions, which can autonomously control a medium sized machine/system.
• CPX terminal
➔ Internet: cpx

CP string extension from the CPX system



The optional string extension enables additional valve manifolds and I/O modules to be connected to the fieldbus node of the CPX terminal. Different input and output modules as well as CPV-SC, CPV and CPA valve manifolds can be connected.
The maximum length of the CP string

extension is 10 metres, which means that the extension modules can be mounted directly on-site. All of the required electrical signals are transmitted via the CP cable, which in turn means that no further installation is needed on the extension module.

The CP string interface offers:
• 32 input signals
• 32 output signals for output modules 24 V DC or solenoid coils
• Logic and sensor supply for the input modules
• Load voltage supply for the valve manifolds
• Logic supply for the output modules
➔ Internet: cpi

Valve manifolds type 44 VTSA, ISO 15407-2/ISO 5599-2



Peripherals overview

Modular pneumatic components

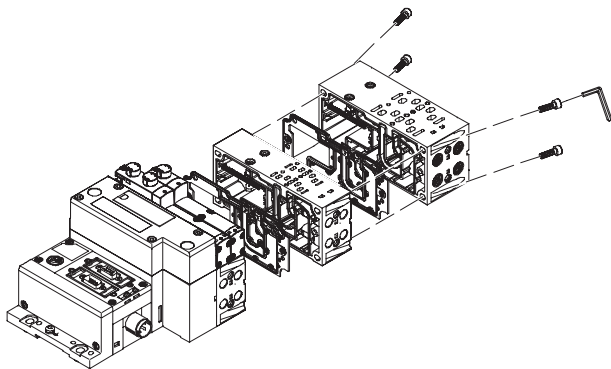
The modular design of the VTSA ensures maximum flexibility right from the planning stage and offers maximum ease of service in operation.

The system consists of manifold sub-bases and valves. The manifold sub-bases are screwed together and thus form the support system for the valves.

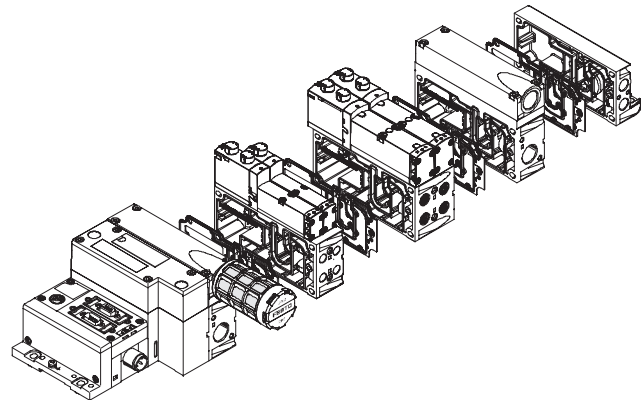
Inside the manifold sub-bases are the connection ducts for supplying compressed air to and venting from the valves on the terminal as well as the working ports for the pneumatic cylinders for each valve.

Each manifold sub-base is connected to the next using four screws. Individual terminal sections can be isolated and further manifold blocks inserted by loosening these screws. This ensures that the valve manifold can be rapidly and reliably extended.

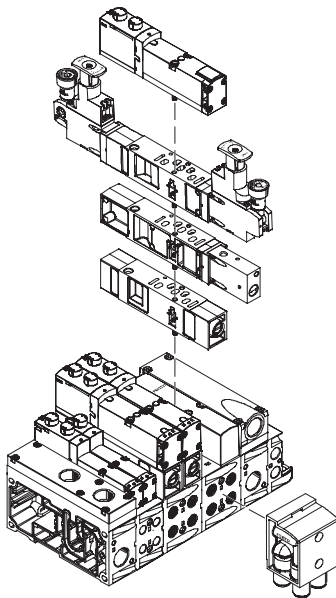
Basic system modularity



Valve modularity



Stacking modularity



Valve manifolds type 44 VTSA, ISO 15407-2/ISO 5599-2

Peripherals overview

Modular electrical peripherals

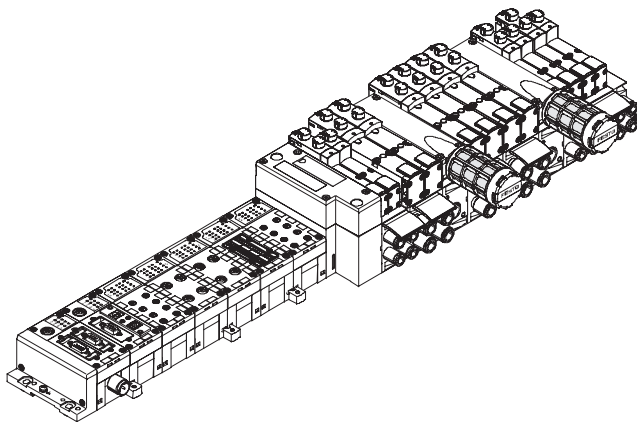
The manner in which the valves are actuated differs according to whether you are using a multi-pin terminal or fieldbus terminal.

The VTSA with CPX interface is based on the internal bus system of the CPX and uses this communication system for all solenoid coils and a range of electrical input and output functions.

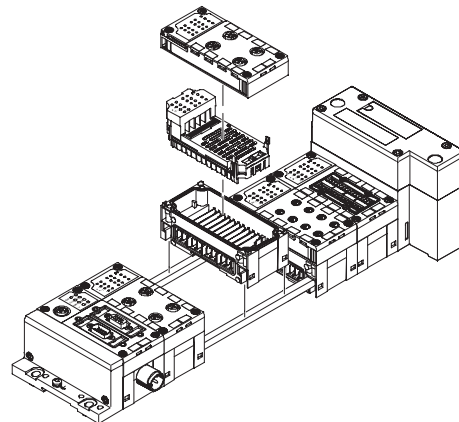
Parallel linking facilitates the following:

- Transmission of switching information
- High valve density
- Compact design
- Position-based diagnostics
- Separate voltage supply for valves
- Flexible conversion without address shifting
- Transmission of status, parameter and diagnostic data
 - Internet: cpx
- Option of CP interface
- CPX-FEC as autonomous controller with access via Ethernet and web server

VTSA with electrical peripherals CPX



Modularity with electrical peripherals CPX

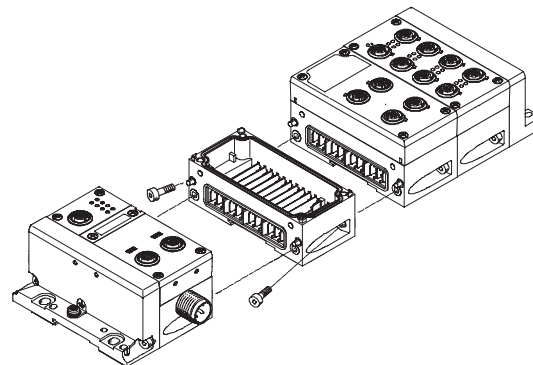


CPX terminal in metal version

Note

The CPX connection blocks are also available in a metal version. This means a complete solution in a sturdy metal design can be selected for applications of the valve manifold VTSA in welding environments.

The mechanical connection between the CPX modules in metal design is created using special angle fittings. The CPX terminal can thus be expanded at any time.



Valve manifolds type 44 VTSA, ISO 15407-2/ISO 5599-2

Peripherals overview

Individual sub-base

Order code:

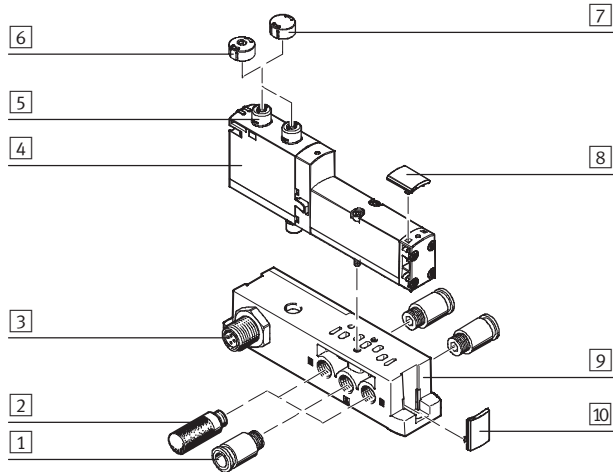
- Using individual part numbers

Individual sub-bases can be equipped with any valve.

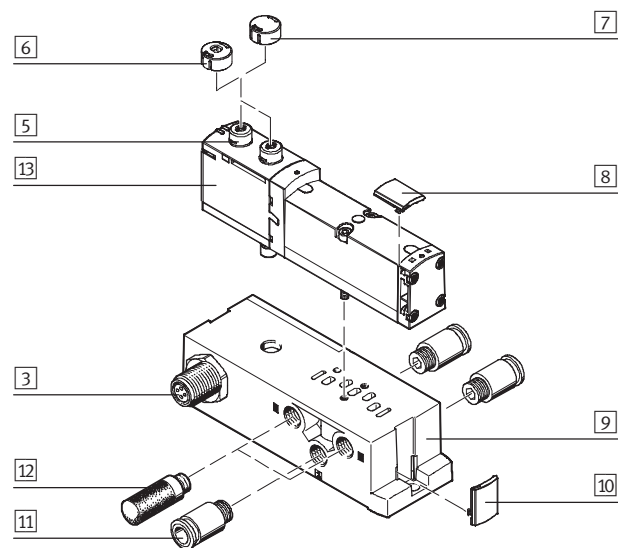
The electrical connection is established using a standard 4-pin M12 plug (EN 61076-2-101) or it can be configured

by the user with a 4-pin clamped terminal connection/open cable end.

Width 18 mm with M12 plug



Width 26 mm with M12 plug



	Brief description	→ Page/Internet	
1	Fitting	G $\frac{1}{8}$ for supply/exhaust ports (1, 3, 5) and working ports (2, 4)	89
2	Silencer	G $\frac{1}{8}$ for supply/exhaust ports (1, 3, 5)	89
3	Electrical connection M12 ¹⁾	4-pin	–
4	VSVA valve	Width 18 mm	78
5	Manual override	Non-detenting/detenting, per solenoid coil	–
6	Cover cap	For manual override, non-detenting	87
7	Cover cap	For manual override, covered	87
8	Inscription label holder	For valves	87
9	Individual sub-base	For valve VSVA	81
10	Inscription label holder	For manifold blocks	87
11	Fitting	G $\frac{1}{4}$ for supply/exhaust ports (1, 3, 5) and working ports (2, 4)	89
12	Silencer	G $\frac{1}{4}$ for supply/exhaust ports (1, 3, 5)	89
13	VSVA valve	Width 26 mm	78

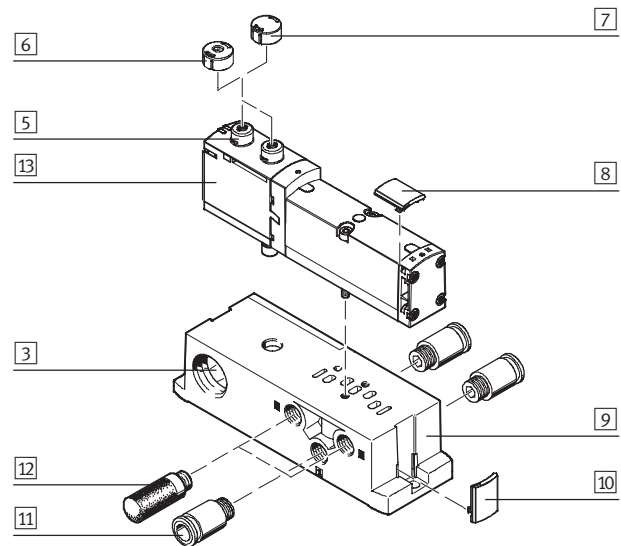
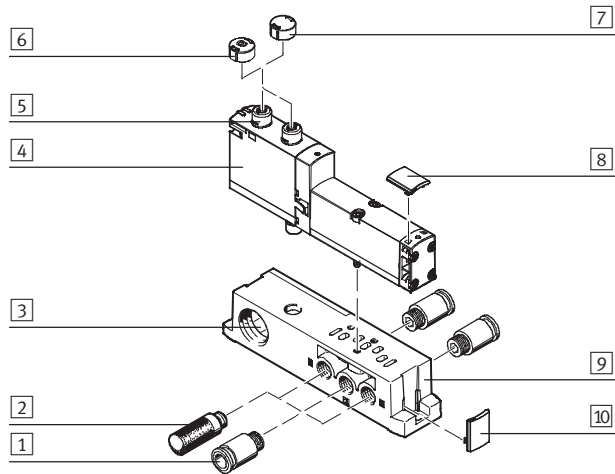
1) Only for 24 V DC

Note: All metric products can be used within inch tubing systems via hybrid fittings (→ Overview on page 88)

Valve manifolds type 44 VTSA, ISO 15407-2/ISO 5599-2

Peripherals overview

Individual sub-base
 Width 18 mm with clamped terminal connection Width 26 mm with clamped terminal connection



	Brief description	→ Page/Internet
1	Fitting G $\frac{1}{8}$ or $\frac{1}{8}$ NPT for supply/exhaust ports (1, 3, 5) and working ports (2, 4)	89
2	Silencer G $\frac{1}{8}$ or $\frac{1}{8}$ NPT for supply/exhaust ports (1, 3, 5)	89
3	Clamped terminal connection ¹⁾ 4-pin, configured by the user	-
4	VSVA valve Width 18 mm	78
5	Manual override Non-detenting/detenting, per solenoid coil	-
6	Cover cap For manual override, non-detenting	87
7	Cover cap For manual override, covered	87
8	Inscription label holder For valves	87
9	Individual sub-base For valve VSVA	81
10	Inscription label holder For manifold blocks	87
11	Fitting G $\frac{1}{4}$ or $\frac{1}{4}$ NPT for supply/exhaust ports (1, 3, 5) and working ports (2, 4)	89
12	Silencer G $\frac{1}{4}$ or $\frac{1}{4}$ NPT for supply/exhaust ports (1, 3, 5)	89
13	VSVA valve Width 26 mm	78

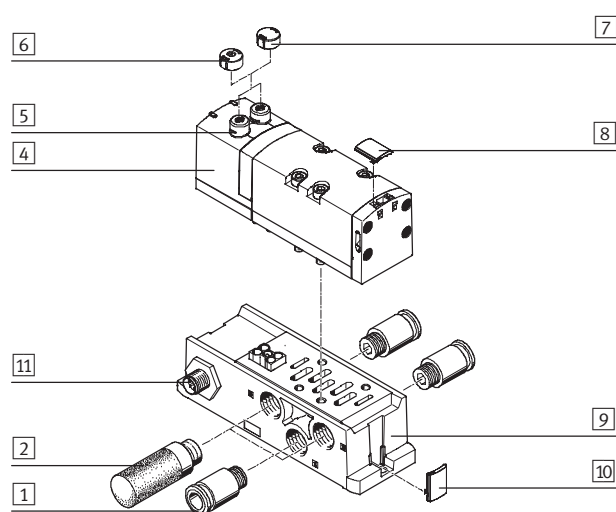
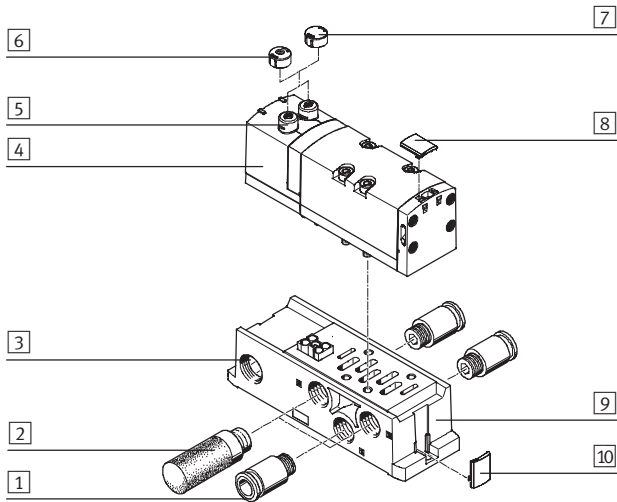
1) 24 VDC or 110 VAC

Note: All metric products can be used within inch tubing systems via hybrid fittings (→ Overview on page 88)

Valve manifolds type 44 VTSA, ISO 15407-2/ISO 5599-2

Peripherals overview

Individual sub-base
 Width 42 mm with spring-loaded terminal/open end Width 42 mm with M12 plug



	Brief description	→ Page/Internet	
1	Fitting	G $\frac{3}{8}$ or $\frac{3}{8}$ NPT for supply/exhaust ports (1, 3, 5) and working ports (2, 4)	89
2	Silencer	G $\frac{3}{8}$ or $\frac{3}{8}$ NPT for supply/exhaust ports (1, 3, 5)	89
3	Clamped terminal connection/open end ¹⁾	4-pin, configured by the user	–
4	VSVA valve	Width 42 mm	78
5	Manual override	Non-detenting/detenting, per solenoid coil	–
6	Cover cap	For manual override, non-detenting	87
7	Cover cap	For manual override, covered	87
8	Inscription label holder	For valves	87
9	Individual sub-base	For valve VSVA	81
10	Inscription label holder	For manifold blocks	87
11	Electrical connection M12 ²⁾	4-pin	–

1) 24 V DC or 110 V AC
 2) Only for 24 V DC

Note: All metric products can be used within inch tubing systems via hybrid fittings (→ Overview on page 88)

New
Soft-start valve

Valve manifolds type 44 VTSA, ISO 15407-2/ISO 5599-2

Peripherals overview

FESTO

Valve manifold pneumatics

The manifold sub-bases width 18 and 26 mm are prepared for:

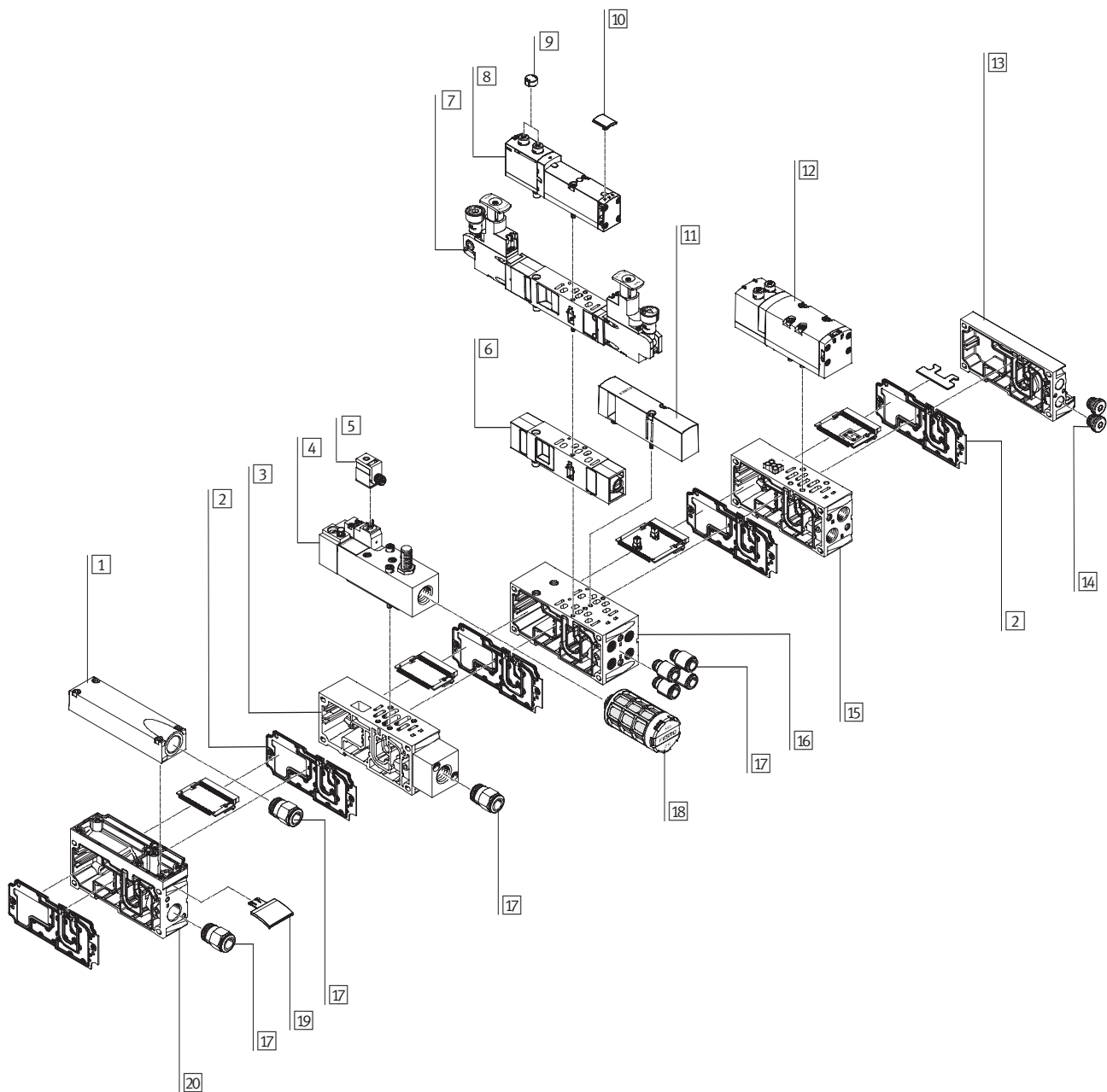
- 2 single solenoid valves
- 2 double solenoid valves

The manifold sub-bases width 42 mm are prepared for:

- 1 single solenoid valve
- 1 double solenoid valve

- Double solenoid valve positions can be equipped with any valve or a blanking plate.

- Single solenoid valve positions can only be equipped with single solenoid valves or a blanking plate.



Note: All metric products can be used within inch tubing systems via hybrid fittings (→ Overview on page 88)

Valve manifolds type 44 VTSA, ISO 15407-2/ISO 5599-2

Peripherals overview

FESTO

Valve manifold pneumatics			
	Brief description	→ Page/Internet	
1	Exhaust port cover	For ducted exhaust air (ports 3 and 5 combined)	82
2	Duct separation/seal	–	82
3	Manifold sub-base	For soft-start valve	75
4	Soft-start valve	For slow and reliable pressure build-up	75
5	Plug socket	–	77
6	Flow control plate	–	85
7	Pressure regulator plate	–	83
8	Valve	Width 26 mm	78
9	Cover cap	For manual override, non-detenting, covered	87
10	Inscription label holder	For valve	87
11	Blanking plate	For unused valve position (vacant position)	87
12	Valve	Width 42 mm	80
13	End plate with pilot air selector	–	80
14	Blanking plug	–	89
15	Manifold sub-base	For valves with a width of 42 mm	80
16	Manifold sub-base	For valves with a width of 26 mm	80
17	Fittings	–	89
18	Silencer	–	89
19	Inscription label holder	For manifold sub-base, sub-base, 90° connection plate	87
20	Supply plate	–	82

Note: All metric products can be used within inch tubing systems via hybrid fittings (→ Overview on page 88)

New
Individual connection

Valve manifolds type 44 VTSA, ISO 15407-2/ISO 5599-2

Peripherals overview

FESTO

Valve manifold with individual connection

Order code:

- 44E for the electrical components
- 44P for the pneumatic components

VTSA valve manifolds with individual connections can be expanded by up to 20 valves with max. 20 solenoid coils.

The manifold sub-bases width 18 and 26 mm are prepared for:

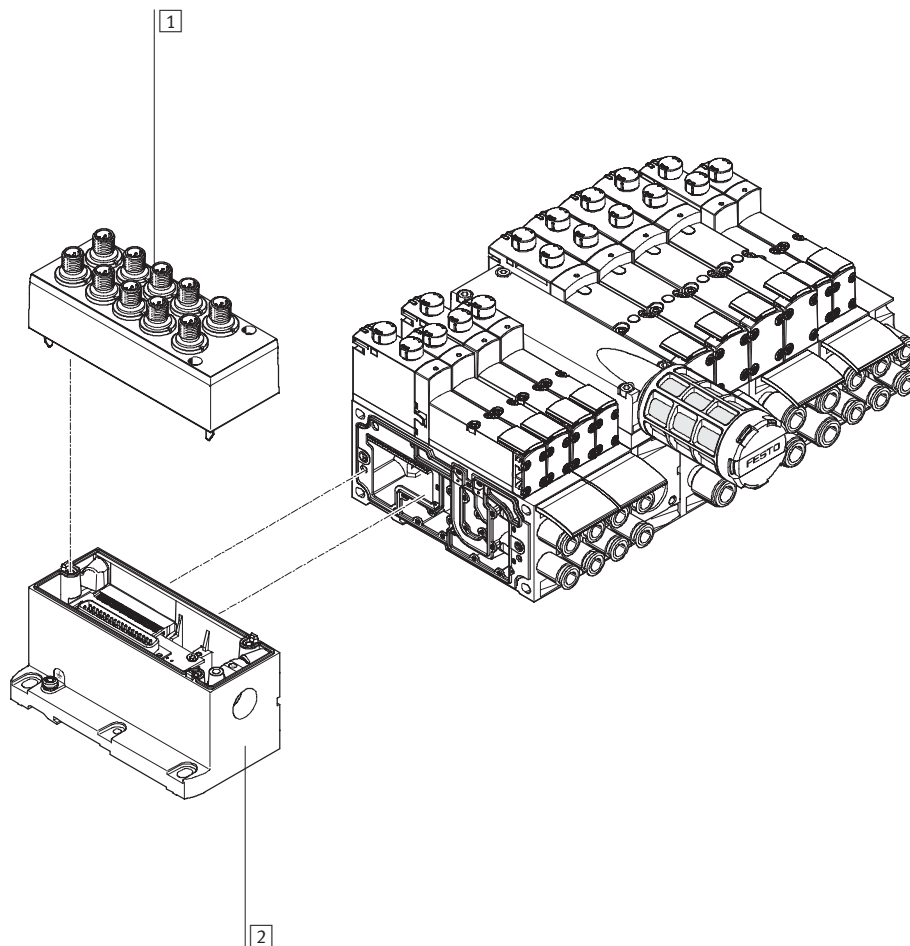
- 2 single solenoid valves
- 2 double solenoid valves

The manifold sub-bases width 42 mm are prepared for:

- 1 single solenoid valve
- 1 double solenoid valve

- Double solenoid valve positions can be equipped with any valve or a blanking plate.
- Single solenoid valve positions can only be equipped with single solenoid valves or a blanking plate.

The electrical connection is established via a 5-pin M12 plug (24 V DC).



		Brief description	→ Page/Internet
1	Cover	For individual connection	85
2	Multi-pin plug connection	Individual connection with M12, 10-way or 6-way (including cover)	85

Valve manifolds type 44 VTSA, ISO 15407-2/ISO 5599-2

Peripherals overview

Valve manifold with multi-pin plug connection

Order code:

- 44E for the electrical components
- 44P for the pneumatic components

VTSA valve manifolds with multi-pin plug connection can be expanded by up to 32 valves with max. 32 solenoid coils.

The manifold sub-bases width 18 and 26 mm are prepared for:

- 2 single solenoid valves
- 2 double solenoid valves

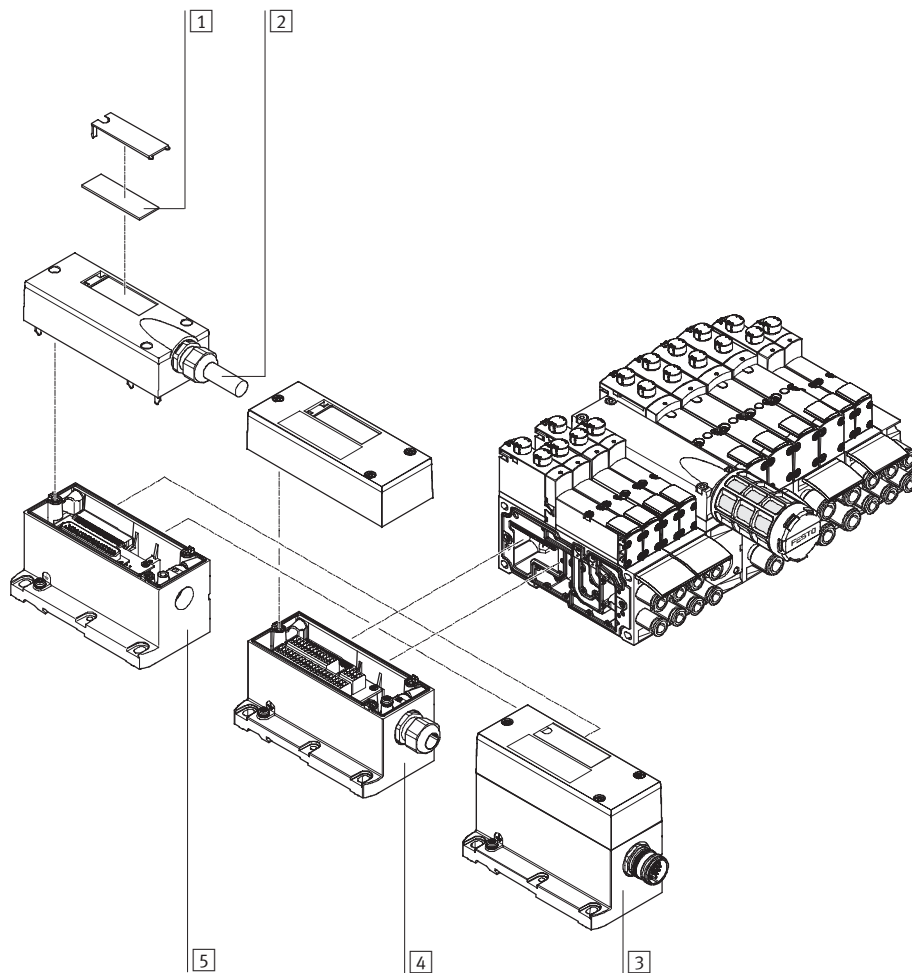
The manifold sub-bases width 42 mm are prepared for:

- 1 single solenoid valve
- 1 double solenoid valve

- Double solenoid valve positions can be equipped with any valve or a blanking plate.
- Single solenoid valve positions can only be equipped with single solenoid valves or a blanking plate.

The following multi-pin plug connections to IP65 are available:

- 37-pin Sub-D connection (24 V DC):
The connecting cable can be ordered in lengths of 2.5 m, 5 m and 10 m for max. 8, 22 or 32 solenoid coils respectively
- Terminal strip (24 V DC or 110 V AC)
- 19-pin round plug connector (24 V DC)



	Brief description	→ Page/Internet
1	Inscription labels Large, for multi-pin plug connection	-
2	Multi-pin plug cable	87
3	Multi-pin plug connection Via M23 round plug connection 24 V DC	85
4	Multi-pin plug connection Via terminal strip (Cage Clamp®) 24 V DC or 110 V AC	85
5	Multi-pin plug connection Via multi-pin cable 24 V DC	85

Valve manifolds type 44 VTSA, ISO 15407-2/ISO 5599-2

Peripherals overview

Valve manifold with AS-interface connection

Order code:

- 52E for the electrical components
- 44P for the pneumatic components

VTSA valve manifolds with AS-interface connection can be expanded by up to 8 valves with max. 8 solenoid coils.

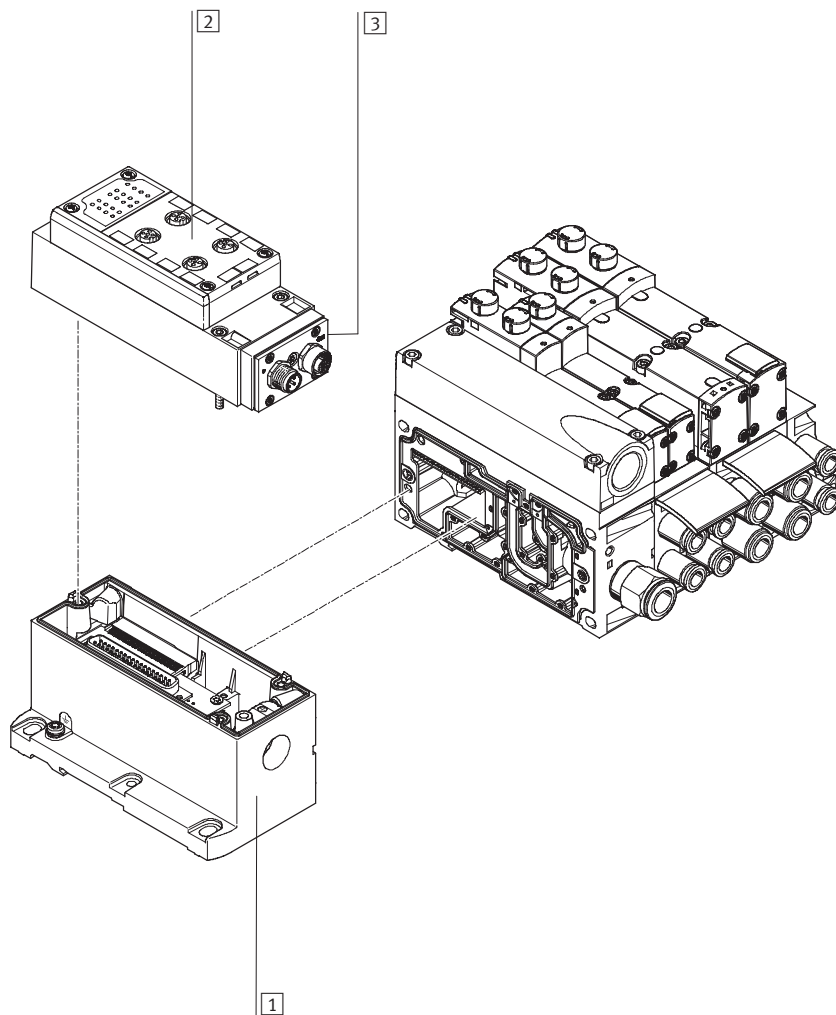
The manifold sub-bases width 18 and 26 mm are prepared for:

- 2 single solenoid valves
- 2 double solenoid valves

The manifold sub-bases width 42 mm are prepared for:

- 1 single solenoid valve
- 1 double solenoid valve

- Double solenoid valve positions can be equipped with any valve or a blanking plate.
- Single solenoid valve positions can only be equipped with single solenoid valves or a blanking plate.



	Brief description	→ Page/Internet
1	Multi-pin plug connection	Can be ordered together with the AS-interface module as an electrical interface for AS-interface 86
2	Manifold block for AS-interface	– 87
3	AS-interface module	– 86

Valve manifolds type 44 VTSA, ISO 15407-2/ISO 5599-2

Peripherals overview

Valve manifold with fieldbus connection, electrical peripherals type 03

Order code:

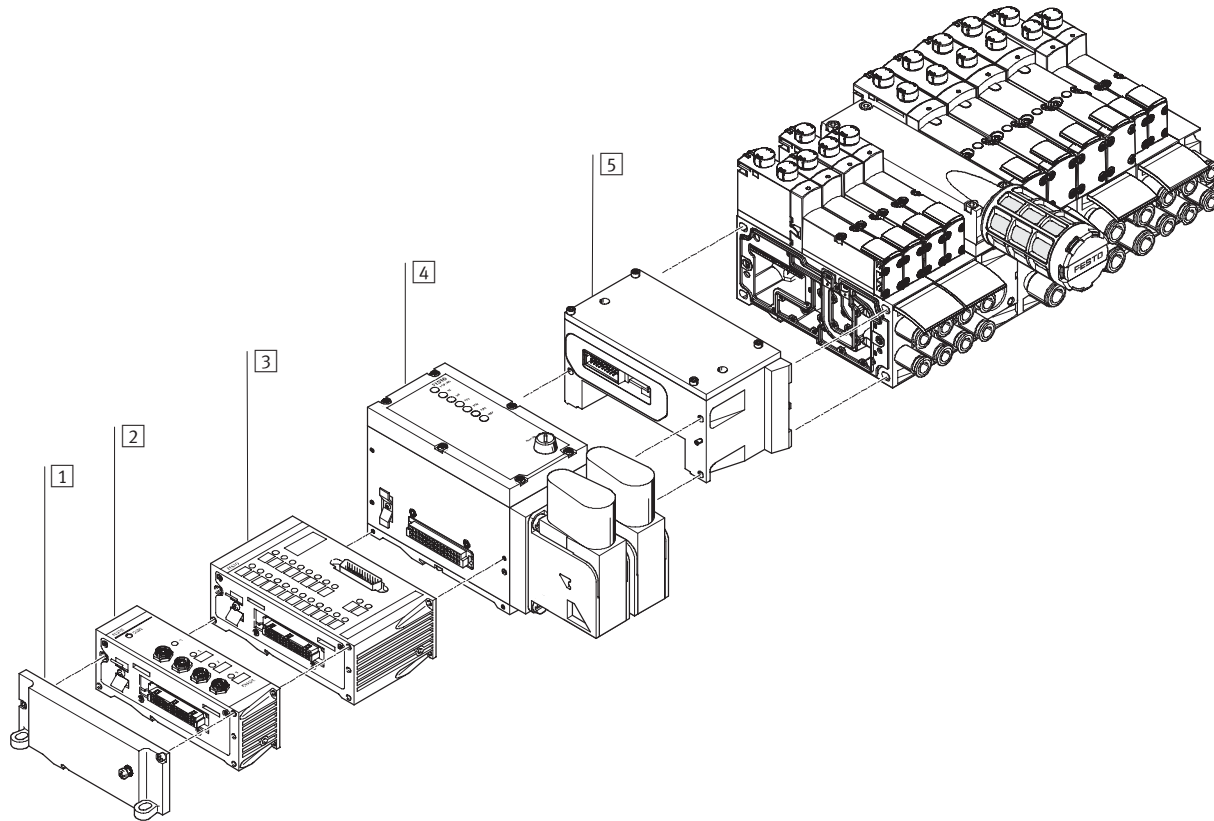
- 03E-... for the electrical peripherals
- 44P for the pneumatic components

VTSA valve manifolds with fieldbus interface can be expanded by up to 26 valves with max. 26 solenoid coils. Each valve position can be equipped

with any valve or a blanking plate. The rules for type 03 apply to the equipment that can be used in combination with electrical peripherals type 03.

In general:

- Max. 12 electrical modules
- Digital inputs/outputs
- Analogue inputs/outputs



	Brief description	→ Page/Internet
1	Left-hand end plate	–
2	Input or output module	5-pin, M12 86
3	Input/output module	Sub-D 86
4	Bus node	FB21 (for Interbus with fibre optic cable) 86
5	Pneumatic interface	– 86

Valve manifolds type 44 VTSA, ISO 15407-2/ISO 5599-2

Peripherals overview

Valve manifold with fieldbus connection, control block (electrical peripherals CPX)

Order code:

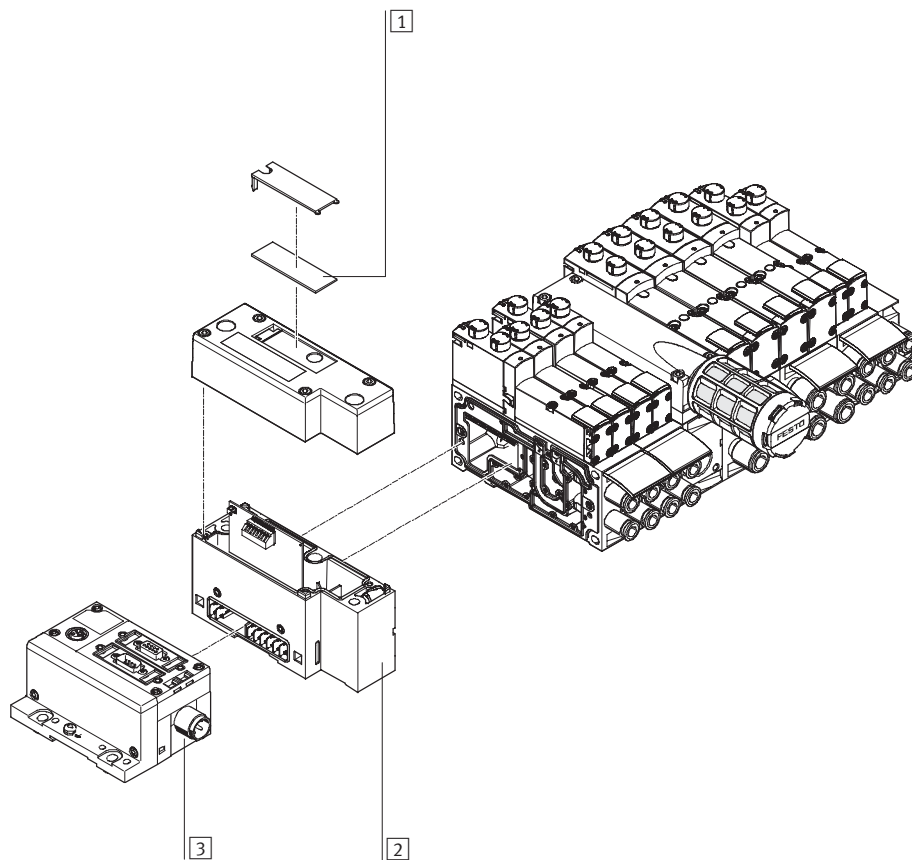
- 50E-... for the electrical peripherals
- 51E-... for the electrical peripherals, metal linking
- 44P for the pneumatic components

VTSA valve manifolds with fieldbus interface can be expanded by up to 32 valves with max. 32 solenoid coils. Each valve position can be equipped

with any valve or a blanking plate. The rules for CPX apply to the equipment that can be used in combination with the electrical peripherals CPX.

In general:

- Max. 10 electrical modules
- Digital inputs/outputs
- Analogue inputs/outputs
- Parameterisation of inputs and outputs
- Integrated convenient diagnostic system
- Preventive maintenance concepts



	Brief description	→ Page/Internet
1	Inscription labels Large, for pneumatic interface CPX	-
2	Pneumatic interface	85
3	Fieldbus interface	cpx

Valve manifolds type 44 VTSA, ISO 15407-2/ISO 5599-2

Peripherals overview

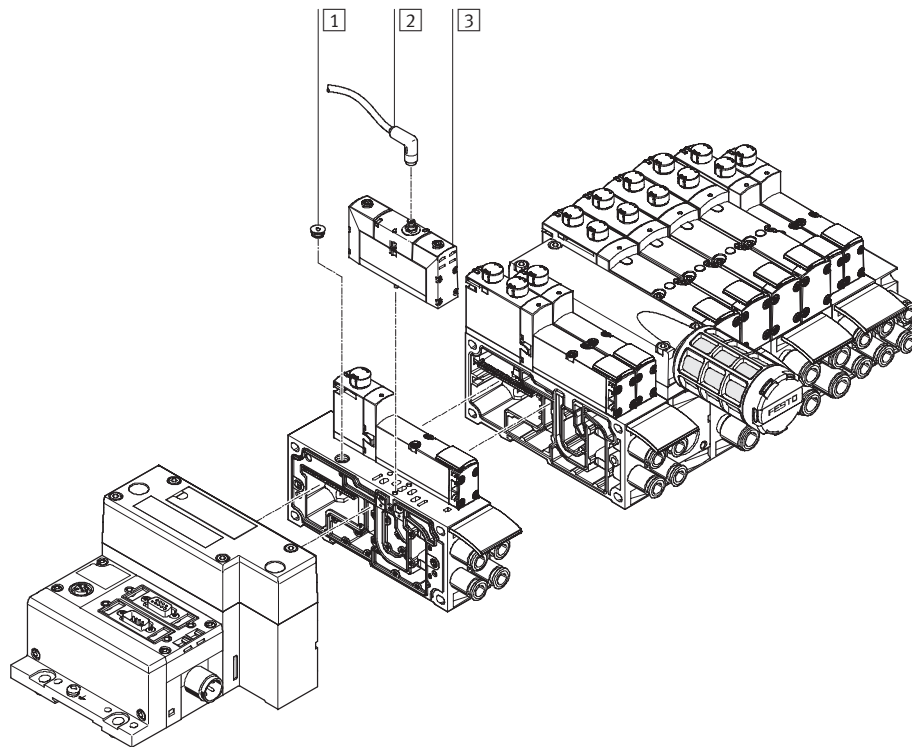
Valve manifold with fieldbus connection/multi-pin plug connection and individual valve connection

In applications with specific emergency stop conditions, it can be necessary to be able to individually switch one or more valves separately from the terminal controller. Standard valves (VSVA) with individual

electrical connection (round or square plug) can be mounted on the valve manifold to this end. In order for the protection class IP65 to be achieved, the functionless opening in the sub-base for the

electrical connection must be sealed. An end cap is available for the 18 mm and the 26 mm widths. For central control of the valve manifold via multi-pin plug or fieldbus connection, the valve position

occupied in this way acts like a vacant position, i.e. the assigned address in the fieldbus node or the corresponding connection in the multi-pin plug connection is occupied.



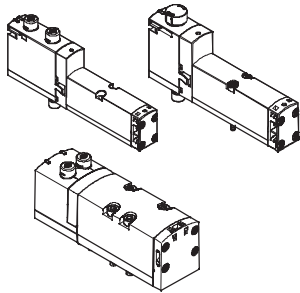
	Brief description	→ Page/Internet	
1	End cap	For sealing the electrical connection on the sub-base	87
2	Connecting cable	-	valves vsva
3	Valve	Width 18 mm or width 26 mm	valves vsva

Valve manifolds type 44 VTSA, ISO 15407-2/ISO 5599-2

Key features – Pneumatic components



Sub-base valve



VTSA offers a comprehensive range of valve functions. All valves are fitted with piston spool and patented sealing system which ensures efficient sealing, a broad operating pressure range and long service life.

Sub-base valves can be quickly replaced since the tubing connections remain on the sub-base.

Irrespective of the valve function there are sub-base valves with one solenoid coil (single solenoid) or with two solenoid coils for double solenoid or double valve functions.

Reverse/vacuum operation

Select reverse operation (code Z) if you wish to operate an actuator (cylinder) with different pressures for the forward and return stroke. Please note that the valves must then be operated via a separate pressure zone.

The 3/2-way valves, reversible, are also suitable for vacuum operation.

Blanking plate

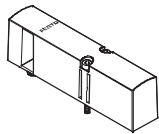


Plate without valve function for reserving valve positions on a valve manifold.

Valves and blanking plates are attached to the manifold sub-base using two screws.

Valve function					
Code	Circuit symbol	Width			Description
		18 mm	26 mm	42 mm	
M		■	■	■	5/2-way valve, single solenoid • Pneumatic spring return
O		■	■	■	5/2-way valve, single solenoid • Mechanical spring return
J		■	■	■	5/2-way valve, double solenoid
D		■	■	■	5/2-way valve, double solenoid • Dominant signal with port 14 on the control side
N		■	■	■	2x 3/2-way valve, single solenoid • Normally open • Pneumatic spring return • Operating pressure > 3 bar
K		■	■	■	2x 3/2-way valve, single solenoid • Normally closed • Pneumatic spring return • Operating pressure > 3 bar

Note

A filter must be installed upstream of valves operated in vacuum mode. This prevents any foreign matter in the intake air getting into the valve (e.g. when operating a suction cup).

Valve manifolds type 44 VTSA, ISO 15407-2/ISO 5599-2

Key features – Pneumatic components

Valve function					
Code	Circuit symbol	Width			Description
		18 mm	26 mm	42 mm	
H		■	■	■	2x 3/2-way valve, single solenoid <ul style="list-style-type: none"> • Normal position <ul style="list-style-type: none"> – 1x closed – 1x open • Pneumatic spring return • Operating pressure > 3 bar
B		■	■	■	5/3-way valve <ul style="list-style-type: none"> • Mid-position pressurised¹⁾ • Mechanical spring return
G		■	■	■	5/3-way valve <ul style="list-style-type: none"> • Mid-position closed¹⁾ • Mechanical spring return
E		■	■	■	5/3-way valve <ul style="list-style-type: none"> • Mid-position exhausted¹⁾ • Mechanical spring return
P		■	■	■	2x 3/2-way valve, single solenoid <ul style="list-style-type: none"> • Reverse operation • Normally open • Pneumatic spring return
Q		■	■	■	2x 3/2-way valve, single solenoid <ul style="list-style-type: none"> • Reverse operation • Normally closed • Pneumatic spring return
R		■	■	■	2x 3/2-way valve, single solenoid <ul style="list-style-type: none"> • Reverse operation • Normal position <ul style="list-style-type: none"> – 1x closed – 1x open • Pneumatic spring return
L		■	■	■	For valve manifold only: Blanking plate for vacant valve position

1) If neither solenoid coil is energised, the valve moves to its mid-position by means of a mechanical spring.
 If both coils are energised at the same time, the valve remains in the previously assumed switching position

Constructional design

Valve replacement

The valves are attached to the metal manifold sub-base using two screws, which means that they can be easily

replaced. The mechanical robustness of the manifold sub-base guarantees efficient long-term sealing.

Extension

Vacant positions can be fitted with valves at a later date. The dimensions, mounting points and existing pneumatic installations remain

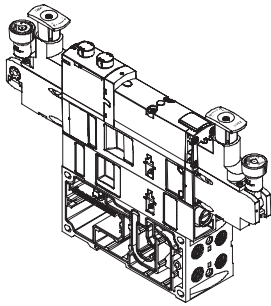
unchanged during this process. The order code VSVA-... is located on the front of the valve beneath the manual override.

Valve manifolds type 44 VTSA, ISO 15407-2/ISO 5599-2

Key features – Pneumatic components

FESTO

Vertical stacking



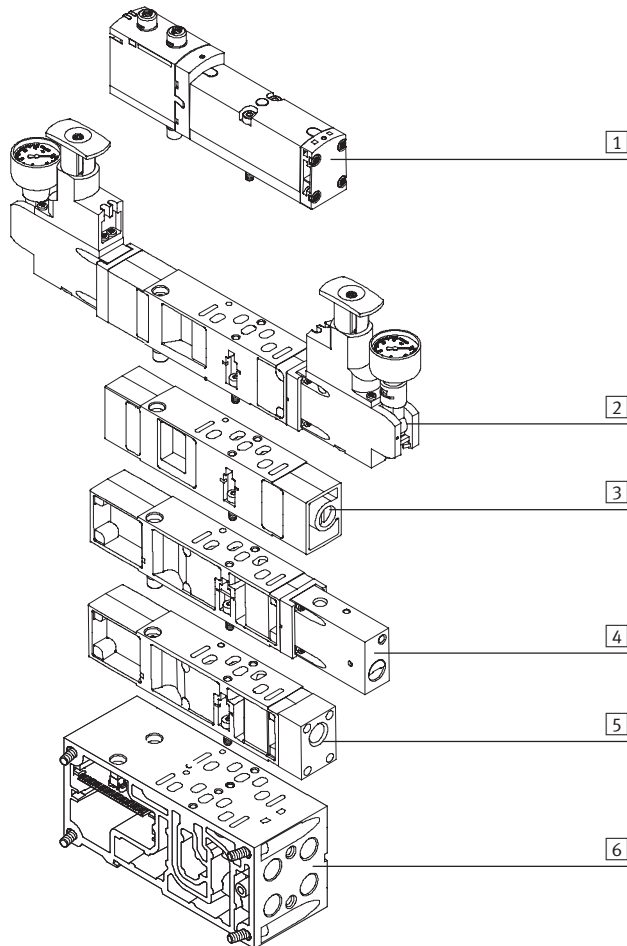
Additional functions can be added to each valve position between the manifold sub-base and the valve. These functions are known as vertical stacking modules, and enable special

functioning or control of an individual valve position. Combinations of several valve sizes on one valve manifold are possible.

Note

Certain combinations are not recommended due to the design of the individual vertical stacking components.

Vertical stacking components



The following component sequence is recommended for valve positions with vertical stacking:

- 1 ISO valve
- 2 Pressure regulator plate
- 3 Flow control plate
- 4 Vertical pressure shut-off plate
- 5 Vertical supply plate
- 6 Manifold sub-base

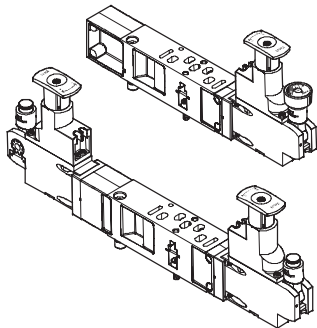
Valve manifolds type 44 VTSA, ISO 15407-2/ISO 5599-2

Key features – Pneumatic components



Vertical stacking

Pressure regulator plate



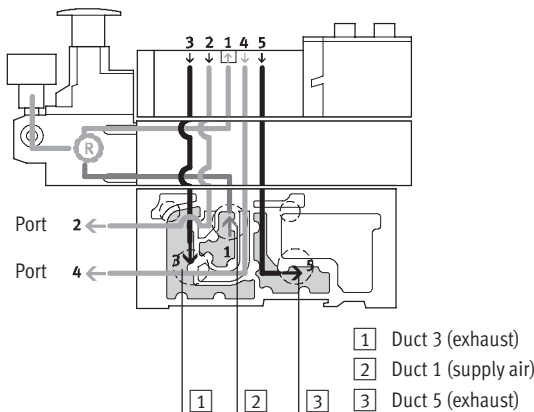
An adjustable pressure regulator can be installed between the manifold block and the valve in order to control the force of the triggered actuator.

This pressure regulator maintains an essentially constant output pressure (secondary side) independent of pressure fluctuations (primary side) and air consumption.

Standard version:

- Standard port pattern to ISO 15407-2 or ISO 5599-2
- For supply pressure up to 6 bar or up to 10 bar
- Without pressure gauge (optional)
- Regulator knob with 3 positions (locked, reference position, free running)

Mode of operation of pressure regulator plate (P regulator) for port 1; code: ZA, ZAX, ZF, ZFY



This pressure regulator regulates the pressure upstream of the valve in duct 1. Ducts 2 and 4 thus have the same regulated pressure.

During venting, the exhaust flow in the valve is from duct 2 to duct 3 and from duct 4 to duct 5.

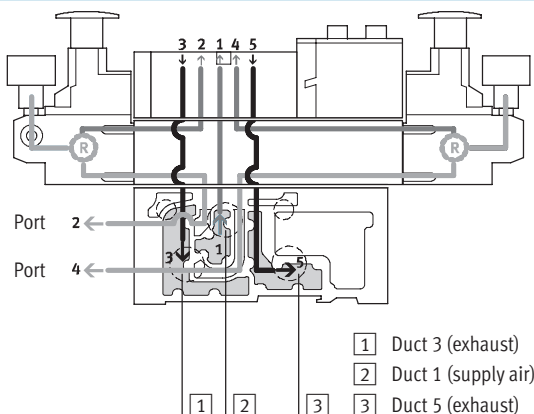
Advantages

- The pressure regulator is not affected by venting, since the pressure is regulated upstream of the valve.
- The pressure regulator can always be adjusted, since the pressure from the valve manifold is always present.

Application examples

- An equal working pressure is required at working ports 2 and 4.
- A lower working pressure (e.g. 3 bar) than the operating pressure present on the valve manifold (e.g. 8 bar) is required.

Mode of operation of the pressure regulator plate (AB regulator) for ports 2 and 4; code: ZD, ZDY, ZI, ZIY



This pressure regulator regulates the pressure in ducts 2 and 4 after the pressure medium flows through the valve. During venting, the exhaust flow in the valve is from duct 2 to duct 3 and from duct 4 to duct 5 via the pressure regulator.

Example with the following switching position:
The supply air flows from duct 1 of the manifold sub-base via the valve to duct 2, it is then regulated and made available at port 2 of the manifold sub-base. At the same time, venting takes place via duct 4 of the manifold sub-base, via the regulator and via the valve into duct 5 of the manifold sub-base.

Restrictions

- The pressure regulator cannot be adjusted in the exhaust position. For example, the pressure regulator for duct 4 cannot be adjusted when the valve is pressurised in the switching position from duct 1 to duct 2 and exhausted from duct 4 to duct 5.

Application examples

- When two different working pressures are required instead of the valve manifold operating pressure at ports 2 and 4.

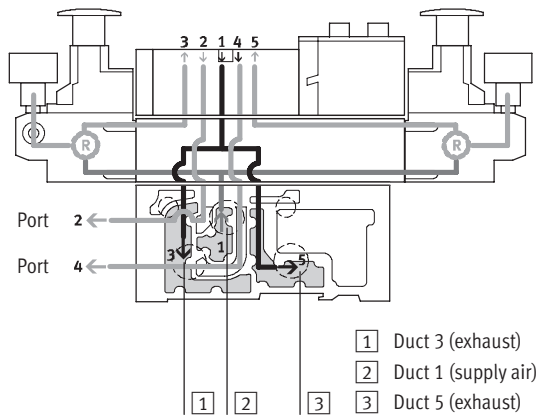
Valve manifolds type 44 VTSA, ISO 15407-2/ISO 5599-2

Key features – Pneumatic components



Vertical stacking

Mode of operation of the pressure regulator plate (AB regulator, reversible) for ports 2 and 4, reversible; code: ZE, ZEY, ZJ, ZJY



With this pressure regulator, the supply air (duct 1) is split and routed directly to both pressure regulators. In each case the regulated supply air is present in ducts 3 and 5 on the valve. The valve is thus operated in reversible mode.

This means:

- Duct 3 routes the working pressure to port 2
- Duct 5 routes the working pressure to port 4

Example with the following switching position:

The supply air in duct 1 is split among ducts 3 and 5 in the regulator and flows from here to the valve. In the valve, the supply air is routed to port 2 of the manifold sub-base. The exhaust air is simultaneously routed via duct 4 of the manifold sub-base and via the valve to regulator duct 1, where it is split between ducts 3 and 5 and then drawn off via the manifold sub-base.

Application examples

- When two different pressures are required in ducts 2 and 4 instead of the operating pressure.
- When fast venting is required.
- When the pressure regulator must always be adjustable.

Note

- Reversible pressure regulator plates may only be combined with valves that can be operated in reversible mode.
- Valves in valve positions with vertical pressure shut-off plates are operated with internal pilot air supply, even when the valve manifold is operated with external pilot air supply.
- The following combination of reversible valve manifolds with vertical stacking components is not permitted:
 - Reversible pressure regulator plates
 - Flow control plates
 - Vertical pressure shut-off plates
 - Vertical supply plates

Advantages

- Fast cycle times.
- 50% higher exhaust flow rate, as air is not exhausted via the pressure regulator. The load on the pressure regulator is also reduced.
- No quick exhaust valves are required.
- Operating pressure is always present at the pressure regulator, as the pressure is regulated upstream of the valve, i.e. the regulator can always be adjusted.

Disadvantages

- 2x 3/2-way valves (code N, K, H) cannot be used, as pressure is present at ports 3 and 5.
- No practical combination with a flow control plate possible.

Valve manifolds type 44 VTSA, ISO 15407-2/ISO 5599-2

Key features – Pneumatic components



Vertical stacking – Pressure regulator plate								
Code	Type	Width			Supply pressure		Description	
		18 mm	26 mm	42 mm	6 bar	10 bar		
Pressure regulator plate for port 1 (P regulator)								
ZA		VABF-S4-...-R1C2-C-10	■	■	■	-	■	<ul style="list-style-type: none"> Regulates the operating pressure in duct 1 upstream of the directional control valve
ZAY ¹⁾		VABF-S4-...-R1C2-C-10E	■	■	-	-	■	
ZF		VABF-S4-...-R1C2-C-6	■	■	■	■	-	
ZFY ¹⁾		VABF-S4-...-R1C2-C-6E	■	■	-	■	-	
Pressure regulator plate for port 2 (B regulator)								
ZC		VABF-S4-...-R2C2-C-10	■	■	■	-	■	<ul style="list-style-type: none"> Regulates the operating pressure in duct 2 downstream of the directional control valve
ZCY ¹⁾		VABF-S4-...-R2C2-C-10E	■	■	-	-	■	
ZH		VABF-S4-...-R2C2-C-10E	■	■	■	■	-	
ZHY ¹⁾		VABF-S4-...-R2C2-C-6E	■	■	-	■	-	
Pressure regulator plate for port 4 (A regulator)								
ZB ¹⁾		VABF-S4-...-R3C2-C-10	■	■	■	-	■	<ul style="list-style-type: none"> Regulates the operating pressure in duct 4 downstream of the directional control valve
ZG ¹⁾		VABF-S4-...-R3C2-C-6	■	■	■	■	-	
Pressure regulator plate for ports 2 and 4 (AB regulator)								
ZD		VABF-S4-...-R4C2-C-10	■	■	■	-	■	<ul style="list-style-type: none"> Regulates the working pressure in ducts 2 and 4 downstream of the directional control valve
ZDY ¹⁾		VABF-S4-...-R4C2-C-10E	■	■	-	-	■	
ZI		VABF-S4-...-R4C2-C-6	■	■	■	■	-	Note These pressure regulator plates cannot be combined with reversible 2x 3/2-way valves (code P, Q, R).
ZIY ¹⁾		VABF-S4-...-R4C2-C-6E	■	■	-	■	-	
Pressure regulator plate for port 2, reversible (B regulator)								
ZL		VABF-S4-...-R6C2-C-10	■	■	■	-	■	<ul style="list-style-type: none"> Reversible pressure regulator for port 2
ZLY ¹⁾		VABF-S4-...-R6C2-C-10E	■	■	-	-	■	
ZN		VABF-S4-...-R6C2-C-6	■	■	■	■	-	
ZNY ¹⁾		VABF-S4-...-R6C2-C-6E	■	■	-	■	-	
Pressure regulator plate for port 4, reversible (A regulator)								
ZK ¹⁾		VABF-S4-...-R7C2-C-10	■	■	■	-	■	<ul style="list-style-type: none"> Reversible pressure regulator for port 4
ZM ¹⁾		VABF-S4-...-R7C2-C-6	■	■	■	■	-	

1) Also suitable for symmetrical valves

Valve manifolds type 44 VTSA, ISO 15407-2/ISO 5599-2

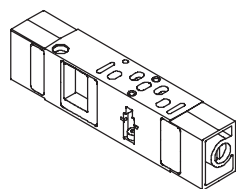
Key features – Pneumatic components



Vertical stacking – Pressure regulator plate								
Code	Type	Width			Supply pressure		Description	
		18 mm	26 mm	42 mm	6 bar	10 bar		
Pressure regulator plate for ports 2 and 4, reversible (AB regulator)								
ZE		VABF-S4-...-R5C2-C-10	■	■	■	-	■	<ul style="list-style-type: none"> • Reversible pressure regulator for ports 2 and 4 • Pressure regulation upstream of the valve • Redirects the operating pressure from duct 1 to ducts 3 and 5 • Conducts the exhaust from duct 1 to ducts 3 and 5 <p>Note These pressure regulator plates cannot be combined with standard 2x 3/2-way valves (code N, K, H). Reversible 2x 3/2-way valves (code P, Q, R) must not be operated in a separate pressure zone in combination with these pressure regulators.</p>
ZEY ¹⁾		VABF-S4-...-R5C2-C-10E	■	■	-	-	■	
ZJ		VABF-S4-...-R5C2-C-6	■	■	■	■	-	
ZJY ¹⁾		VABF-S4-...-R5C2-C-6E	■	■	-	■	-	

1) Also suitable for symmetrical valves

Vertical stacking – Flow control plate



This plate is used for exhaust air flow control in ducts 3 and 5 of a valve in order to adjust the speed of the actuator.

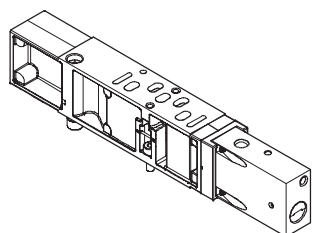
Ducts 3 and 5 can be adjusted independently of each other.

Note

On reversible valve manifolds, supply air flow control takes place in ducts 3 and 5 upstream of the valve.

Code	Type	Width			Description	
		18 mm	26 mm	42 mm		
X		VABF-S4-...F1B1-C	■	■	■	<ul style="list-style-type: none"> • Restricts the exhaust downstream of the valve in ducts 3 and 5

Vertical stacking – Vertical pressure shut-off plate



This plate enables a valve to be shut off from the supply pressure of the terminal. This means that the valve can be removed without shutting off the pressure.

Following activation of the shut-off, the exhaust air/return air from the cylinder is drawn off via the M5 Metric thread.

Note

It must be ensured that the operating pressure of the valve manifold lies within the range of the required pilot pressure (i.e. min. 3 bar).

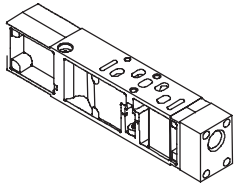
Code	Type	Width			Description	
		18 mm	26 mm	42 mm		
ZT		VABF-S4-...L1D1-C	■	■	■	<ul style="list-style-type: none"> • 2/2-way valve for shutting off the operating pressure at the valve position • Blocks ducts 12 and 14 for the valve position • Supplies the valve position with internal pilot air

Valve manifolds type 44 VTSA, ISO 15407-2/ISO 5599-2

Key features – Pneumatic components

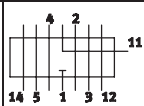


Vertical stacking – Vertical supply plate

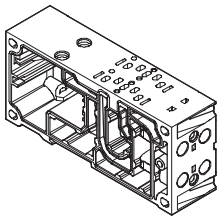


This plate enables a valve to be supplied with individual operating pressure independently of the operating pressure of the terminal.

Code	Type	Width			Description
		18 mm	26 mm	42 mm	
ZU	VABF-S4-...P1A3-...	■	■	■	<ul style="list-style-type: none"> Plate with port 11 for supplying individual operating pressure to a valve position



Manifold sub-base



VTSA is based on a modular system which consists of manifold sub-bases and valves. Manifold sub-bases are available for valve width 18 mm and width 26 mm in a double grid, i.e. two valves per manifold sub-base. For width 42 mm there are manifold sub-bases with one valve per sub-base. The manifold sub-base contains a ducting

seal and electrical linking. They can be freely mixed within a valve manifold. The manifold sub-bases are screwed together and thus form the support system for the valves. Inside the manifold sub-bases are the connection ducts for supplying compressed air to and venting from the valves on the terminal as well as the

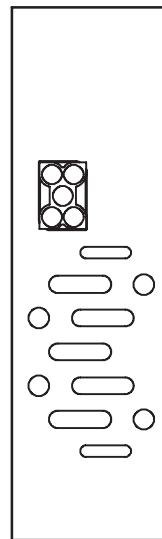
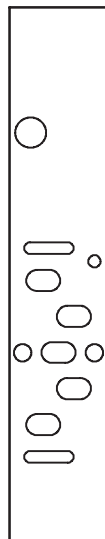
working ports for the pneumatic cylinders for each valve. Each manifold sub-base is connected to the next using four screws. Individual terminal sections can be isolated and further manifold sub-bases inserted by loosening these screws. This ensures that the valve manifold can be rapidly and reliably extended.

Port patterns on the manifold sub-base

Width 18 mm

Width 26 mm

Width 42 mm



Note: All metric products can be used within inch tubing systems via hybrid fittings (→ Overview on page 88)

Valve manifolds type 44 VTSA, ISO 15407-2/ISO 5599-2



Key features – Pneumatic components

90° connection plate for working ports (2 and 4) of the manifold sub-bases							
Code	Image	Type	Width			Ports	Working ports (2, 4) on the 90° connection plate
			18 mm	26 mm	42 mm		
P		Metric thread: VABF-S4-...-A2G2-G... NPT thread: VABF-S4-...-A2G2-N...	■	■	■	2 and 4	Outlet at bottom <ul style="list-style-type: none"> Connection sizes for 18 mm width: G$\frac{1}{8}$, $\frac{1}{8}$NPT Connection sizes for 26 mm width: G$\frac{1}{4}$, $\frac{1}{4}$NPT Connection sizes for 42 mm width: G$\frac{3}{8}$, $\frac{3}{8}$NPT

Manifold sub-base variants							
Code	Image	Type	Width			No. of valve positions/solenoid coils	Working ports (2, 4) on the manifold sub-base
			18 mm	26 mm	42 mm		
Manifold sub-base for multi-pin plug/fieldbus connection for double solenoid valves							
A AK		Metric thread: VABV-S4-2S-G18-2T2 NPT thread: VABV-S4-2S-N18-2T2	■	-	-	2/4	<ul style="list-style-type: none"> Connection sizes for 18 mm width: G$\frac{1}{8}$, QS-G$\frac{1}{8}$-8, QS-G$\frac{1}{8}$-6, $\frac{1}{8}$NPT, QS-$\frac{1}{8}$-$\frac{5}{16}$-U, QS-$\frac{1}{8}$-$\frac{1}{4}$-U
B BK		Metric thread: VABV-S4-1S-G14-2T2 NPT thread: VABV-S4-1S-N14-2T2	-	■	-	2/4	<ul style="list-style-type: none"> Connection sizes for 26 mm width: G$\frac{1}{4}$, QS-G$\frac{1}{4}$-10, QS-G$\frac{1}{4}$-8, $\frac{1}{4}$NPT, QS-$\frac{1}{4}$-$\frac{3}{8}$-U, QS-$\frac{1}{4}$-$\frac{5}{16}$-U
C CK		Metric thread: VABV-S2-1S-G38-T2 NPT thread: VABV-S2-1S-N38-T2	-	-	■	1/2	<ul style="list-style-type: none"> Connection sizes for 42 mm width: G$\frac{3}{8}$ QS-G$\frac{3}{8}$-12, QS-G$\frac{3}{8}$-10, $\frac{3}{8}$NPT, QS-$\frac{3}{8}$-$\frac{3}{8}$-U, QS-$\frac{3}{8}$-$\frac{1}{2}$-U
Manifold sub-base for multi-pin plug/fieldbus connection for single solenoid valves							
E EK		Metric thread: VABV-S4-2S-G18-2T1 NPT thread: VABV-S4-2S-N18-2T1	■	-	-	2/2	<ul style="list-style-type: none"> Connection sizes for 18 mm width: G$\frac{1}{8}$, QS-G$\frac{1}{8}$-8, QS-G$\frac{1}{8}$-6, $\frac{1}{8}$NPT, QS-$\frac{1}{8}$-$\frac{5}{16}$-U, QS-$\frac{1}{8}$-$\frac{1}{4}$-U
F FK		Metric thread: VABV-S4-1S-G14-2T1 NPT thread: VABV-S4-1S-N14-2T1	-	■	-	2/2	<ul style="list-style-type: none"> Connection sizes for 26 mm width: G$\frac{1}{4}$, QS-G$\frac{1}{4}$-10, QS-G$\frac{1}{4}$-8, $\frac{1}{4}$NPT, QS-$\frac{1}{4}$-$\frac{3}{8}$-U, QS-$\frac{1}{4}$-$\frac{5}{16}$-U
G GK		Metric thread: VABV-S2-1S-G38-T1 NPT thread: VABV-S2-1S-N38-T1	-	-	■	1/1	<ul style="list-style-type: none"> Connection sizes for 42 mm width: G$\frac{3}{8}$ QS-G$\frac{3}{8}$-12, QS-G$\frac{3}{8}$-10, $\frac{3}{8}$NPT, QS-$\frac{3}{8}$-$\frac{3}{8}$-U, QS-$\frac{3}{8}$-$\frac{1}{2}$-U

Note: All metric products can be used within inch tubing systems via hybrid fittings (→ Overview on page 88)

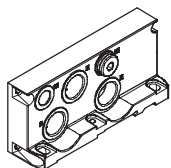
Valve manifolds type 44 VTSA, ISO 15407-2/ISO 5599-2

Key features – Pneumatic components

Compressed air supply and venting

Right-hand end plate

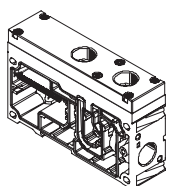
- Code V



Port configuration for supply plates

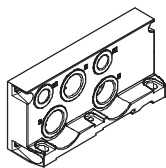
Exhaust port 3/5 separated

- Code K



Right-hand end plate

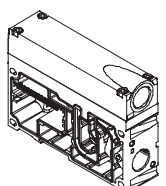
- Code X



Port configuration for supply plates

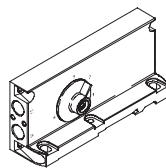
Exhaust port 3/5 common

- Code L



End plate with pilot air selector

- Code Y, U, Z, W



The valve manifold VTSA can be supplied with compressed air at one or more points. This is a reliable way of ensuring that all functional components will always offer good performance, even with large-scale expansions. The valve manifold is supplied via supply plates (max. 16 per terminal) or via an end plate.

Venting is via silencers or ports for ducted exhaust air on the supply plates and/or on the right-hand end plate. There are two types of supply plates:

- Exhaust port 3/5 common
- Exhaust port 3/5 separated

Pilot air supply

The port for the pneumatic supply is located on the supply plates or the right-hand end plate. The ports differ for the following types of pilot air supply:

- Internal
- External

Internal pilot air supply

Internal pilot air supply can be selected if the working pressure is between 3 and 10 bar. The pilot air supply is then branched from the compressed air supply 1 using an internal connection. Port 14 on the right-hand end plate is sealed with a blanking plug.

External pilot air supply

If the supply pressure is less than 3 bar, you must operate your VTSA valve manifold using external pilot air supply. The pilot air supply is then supplied via port 14 on the right-hand end plate. This is the case even if the valve manifold is operated with different pressure zones.

Note

If a gradual pressure build-up is required in the system by means of a soft-start valve, then external pilot air should be selected whereby the pilot pressure is already applied at the point of switch-on.

Right-hand end plate

Different right-hand end plates are available.

With the following two end plates, the outgoing direction of the ports is aligned with the horizontal stacking direction.

Right-hand end plates with pilot air supply/pilot exhaust air

- Internal pilot air supply: Code V
- External pilot air supply: Code X

For end plates with pilot air selector, the outgoing direction of the ports is to the front of the valve manifold. This means that all of the ports on the terminal can be combined in one outgoing direction. The special feature of the end plates with pilot air selector is the selector switch itself, which has four settings for different pilot air supply/pilot exhaust air.

End plates with pilot air selector switch set at the factory for:

- Internal pilot air supply: Code Y
- External pilot air supply: Code Z
- Internal pilot air supply, ducted pilot exhaust air: Code U
- External pilot air supply, ducted pilot exhaust air: Code W

Note

The end plate with pilot air selector must be used in combination with a supply plate. The reversible 3/2-way valves (code P, Q, R) must only be operated in selector position 1 or 2.

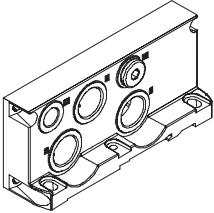
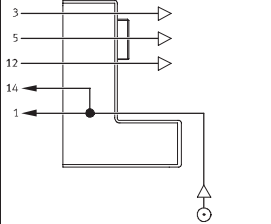
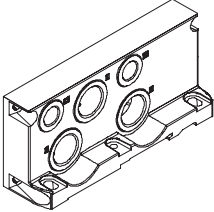
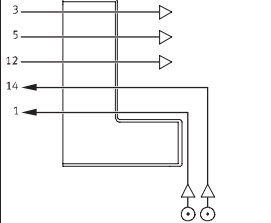
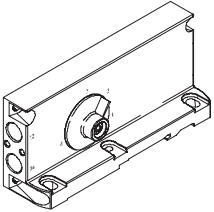
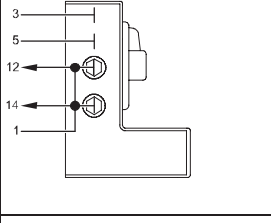
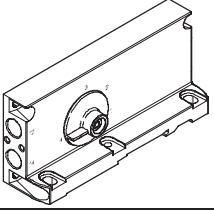
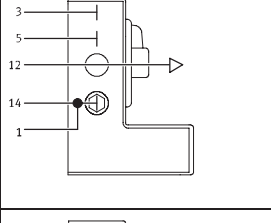
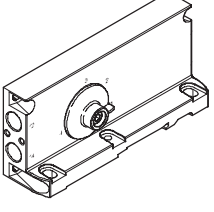
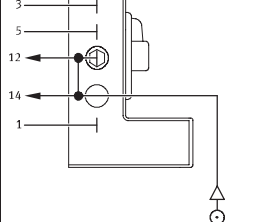
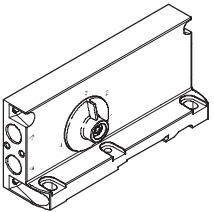
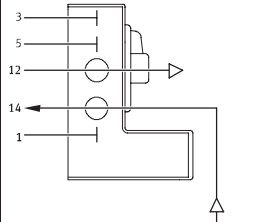
Right-hand end plate with pilot air selector

Code	Selector position
Z	1
Y	2
W	3
U	4

Valve manifolds type 44 VTSA, ISO 15407-2/ISO 5599-2



Key features – Pneumatic components

Right-hand end plate						
Code	Type of compressed air supply and pilot air supply	Width			Description	
		18 mm	26 mm	42 mm		
Right-hand end plate						
V			■	■	■	Internal pilot air supply, silencer <ul style="list-style-type: none"> • Pilot air supply is branched internally from port 1 • Port 14 is sealed with a blanking plug • Pilot exhaust port 3/5 and via silencer • For operating pressure in the range 3 ... 10 bar • Pilot exhaust air¹⁾
X			■	■	■	External pilot air supply, silencer <ul style="list-style-type: none"> • Pilot air supply between 2 and 10 bar is connected at port 14 • Pilot exhaust port 3/5 via silencer • For operating pressure in the range -0.9 ... 10 bar (suitable for vacuum) • Pilot exhaust air¹⁾
Code ²⁾	End plate with pilot air selector					
Y (2)			■	■	■	Internal pilot air supply <ul style="list-style-type: none"> • Pilot air supply is branched internally from port 1 • Ports 1/12/14 are internally connected • Ports 12/14 are sealed with blanking plugs • Pilot exhaust air not ducted via valve housing
U (4)			■	■	■	Internal pilot air supply, ducted exhaust air <ul style="list-style-type: none"> • Pilot air supply is branched internally from port 1 • Ports 1/14 are internally connected • Port 14 is sealed with a blanking plug • Pilot exhaust via port 12 with silencer¹⁾
Z (1)			■	■	■	External pilot air supply <ul style="list-style-type: none"> • Pilot air supply is connected at port 14 • Port 12 is sealed with a blanking plug • Ports 12/14 are internally connected • Pilot exhaust air not ducted via valve housing
W (3)			■	■	■	External pilot air supply, ducted exhaust air <ul style="list-style-type: none"> • Pilot air supply is connected at port 14 • Pilot exhaust via port 12 with silencer¹⁾

1) Ducted pilot exhaust air is only possible with turned seals on the valve
 2) Selector setting in brackets

Valve manifolds type 44 VTSA, ISO 15407-2/ISO 5599-2

Key features – Pneumatic components

Compressed air supply/duct separation

Additional supply plates can be used for larger terminals or to create additional pressure zones.

These can be selected at any point upstream or downstream of the manifold sub-bases.

Supply plates contain the ports:

- Compressed air supply (1)
- Exhaust port (3/5) common or separated

Depending on your order, the exhaust air ducts are either ducted or vented via silencers.

VTSA with ducted exhaust air:

With ducted exhaust air, venting can be via a supply plate or a right-hand end plate (code V or X).

If duct separation is required, there are three different options:

- Duct separation 1, 3, 5: code S
- Duct separation 1: code T
- Duct separation 3, 5: code R

If a combination of duct separation (S, T or R) and one or two supply plates is required, the following variants can be selected:

- Supply plate with duct separation on the left-hand side: code SU, TU, RU
- Supply plate with duct separation on the right-hand side: code US, UT, UR
- 2 supply plates with intermediate duct separation: code USU, UTU, URU

Supply plates						
Code	Image	Type	Width			Description
			18 mm	26 mm	42 mm	
U		<ul style="list-style-type: none"> • Exhaust port 3/5 common for Metric thread: VABF-S6-10-P1A7-G12 for NPT thread: VABF-S6-10-P1A7-N12 • Exhaust port 3/5 separated for Metric thread: VABF-S6-10-P1A6-G12 for NPT thread: VABF-S6-10-P1A6-N12 	■	■	■	Supply plate without duct separation (no R, S or T selected)
SU TU RU		<ul style="list-style-type: none"> • Exhaust port 3/5 common for Metric thread: VABF-S6-10-P1A6-G12 for NPT thread: VABF-S6-10-P1A6-N12 	■	■	■	Supply plate with duct separation on left, if R, S or T selected
US UT UR			■	■	■	Supply plate with duct separation on right, if R, S or T selected
USU UTU URU			■	■	■	2 supply plates with duct separation in centre, if R, S or T selected

Note: All metric products can be used within inch tubing systems via hybrid fittings (→ Overview on page 88)

Valve manifolds type 44 VTSA, ISO 15407-2/ISO 5599-2



Key features – Pneumatic components

Configuration of all pneumatic Metric threads							
Code ¹⁾		Port	Designation	Code M Large push-in connector	Code N Small push-in connector		
V		-	Right-hand end plate, internal pilot air supply, silencer				
			1	Supply air/vacuum supply	Push-in fitting	QS-G $\frac{1}{2}$ -16	QS-G $\frac{1}{2}$ -12
			3/5	Exhaust air	Via silencer	U- $\frac{1}{2}$ -B	U- $\frac{1}{2}$ -B
			14	Pilot air supply	Blanking plug	B- $\frac{1}{4}$	B- $\frac{1}{4}$
X		-	Right-hand end plate, external pilot air supply, silencer				
			1	Supply air/vacuum supply	Push-in fitting	QS-G $\frac{1}{2}$ -16	QS-G $\frac{1}{2}$ -12
			3/5	Exhaust air	Via silencer	U- $\frac{1}{2}$ -B	U- $\frac{1}{2}$ -B
			12	Pilot exhaust air	Via silencer	U- $\frac{1}{4}$	U- $\frac{1}{4}$
		14	Pilot air supply	Push-in fitting	QS-G $\frac{1}{4}$ -10	QS-G $\frac{1}{4}$ -8	
Y (2)			End plate with pilot air selector, internal pilot air supply				
			12	Pilot air supply	Blanking plug	B- $\frac{1}{4}$	B- $\frac{1}{4}$
			14	Pilot exhaust air	Push-in fitting	QS-G $\frac{1}{4}$ -10	QS-G $\frac{1}{4}$ -8
U (4)			End plate with pilot air selector, internal pilot air supply, ducted exhaust air				
			12	Pilot air supply	Blanking plug	B- $\frac{1}{4}$	B- $\frac{1}{4}$
			14	Pilot exhaust air	Blanking plug	B- $\frac{1}{4}$	B- $\frac{1}{4}$
Z (1)			End plate with pilot air selector, external pilot air supply				
			12	Pilot air supply	Push-in fitting or silencer	QS-G $\frac{1}{4}$ -10 or U- $\frac{1}{4}$	QS-G $\frac{1}{4}$ -8 or U- $\frac{1}{4}$
			14	Pilot exhaust air	Push-in fitting	QS-G $\frac{1}{4}$ -10	QS-G $\frac{1}{4}$ -8
W (3)			End plate with pilot air selector, external pilot air supply, ducted exhaust air				
			12	Pilot air supply	Push-in fitting or silencer	QS-G $\frac{1}{4}$ -10 or U- $\frac{1}{4}$	QS-G $\frac{1}{4}$ -8 or U- $\frac{1}{4}$
			14	Pilot exhaust air	Blanking plug	B- $\frac{1}{4}$	B- $\frac{1}{4}$

1) Selector setting in brackets

Note: All metric products can be used within inch tubing systems via hybrid fittings (→ Overview on page 88)

Valve manifolds type 44 VTSA, ISO 15407-2/ISO 5599-2



Key features – Pneumatic components

Configuration of all pneumatic connections with NPT thread							
Code ¹⁾		Port	Designation	Code M Large push-in connector	Code N Small push-in connector		
V		-	Right-hand end plate, internal pilot air supply, silencer				
			1	Supply air/vacuum supply	Push-in fitting	QS-1/2-5/8-U	QS-1/2-1/2-U
			3/5	Exhaust air	Via silencer	U-1/2-B-NPT	U-1/2-B-NPT
			14	Pilot air supply	Blanking plug	B-1/4-NPT	B-1/4-NPT
X		-	Right-hand end plate, external pilot air supply, silencer				
			1	Supply air/vacuum supply	Push-in fitting	QS-1/2-5/8-U	QS-1/2-1/2-U
			3/5	Exhaust air	Via silencer	U-1/2-B-NPT	U-1/2-B-NPT
			12	Pilot exhaust air	Via silencer	U-1/4-B-NPT	U-1/4-B-NPT
Y (2)			End plate with pilot air selector, internal pilot air supply				
			12	Pilot air supply	Blanking plug	B-1/4-NPT	B-1/4-NPT
			14	Pilot exhaust air	Push-in fitting	QS-1/4-3/8-U	QS-1/4-5/16-U
			End plate with pilot air selector, internal pilot air supply, ducted exhaust air				
U (4)			12	Pilot air supply	Blanking plug	B-1/4-NPT	B-1/4-NPT
			14	Pilot exhaust air	Blanking plug	B-1/4-NPT	B-1/4-NPT
Z (1)			End plate with pilot air selector, external pilot air supply				
			12	Pilot air supply	Push-in fitting or silencer	QS-1/4-3/8-U or U-1/4-B-NPT	QS-1/4-5/16-U or U-1/4-B-NPT
W (3)			End plate with pilot air selector, external pilot air supply, ducted exhaust air				
			12	Pilot air supply	Push-in fitting or silencer	QS-1/4-3/8-U or U-1/4-B-NPT	QS-1/4-5/16-U or U-1/4-B-NPT
			14	Pilot exhaust air	Blanking plug	B-1/4-NPT	B-1/4-NPT

1) Selector setting in brackets

Note: All metric products can be used within inch tubing systems via hybrid fittings (→ Overview on page 88)

Valve manifolds type 44 VTSA, ISO 15407-2/ISO 5599-2

Key features – Pneumatic components



Creation of pressure zones and separation of exhaust air

The valve manifold VTSA offers a number of options for creating pressure zones if different working pressures are required.

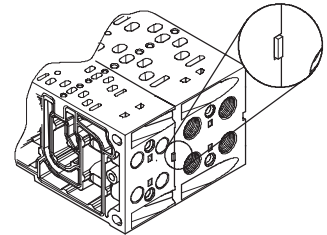
Pressure zones are created by isolating the internal supply ducts between the manifold sub-bases using appropriate duct separation.

Compressed air is supplied and vented via a supply plate.

The position of the supply plates and duct separations can be freely selected for VTSA.

Duct separations are integrated ex-works as per your order.

Duct separations can be distinguished by their coding, even when the valve manifold is assembled.



Creating pressure zones						
Code	Separating seal		Width			Description
	Pictorial examples	Coding	18 mm	26 mm	42 mm	
T			■	■	■	Duct 1 separated
S			■	■	■	Duct 1 and 3/5 separated
R			■	■	■	Duct 3/5 separated

Valve manifolds type 44 VTSA, ISO 15407-2/ISO 5599-2

Key features – Pneumatic components

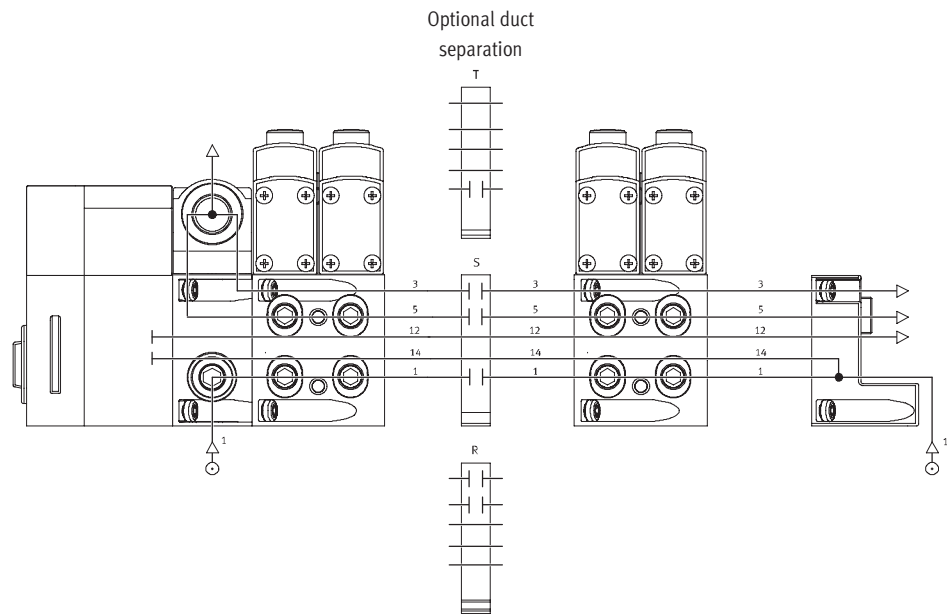
Examples: Compressed air supply and pilot air supply, right-hand end plate

Internal pilot air supply, silencer/ducted exhaust air

Right-hand end plate: code V

The diagram opposite shows an example of the configuration and connection of the compressed air supply with internal pilot air supply. Port 14 on the right-hand end plate is tightly sealed. Exhaust port 3/5 is drawn off via the silencer.

Duct separations can be used optionally to create pressure zones.

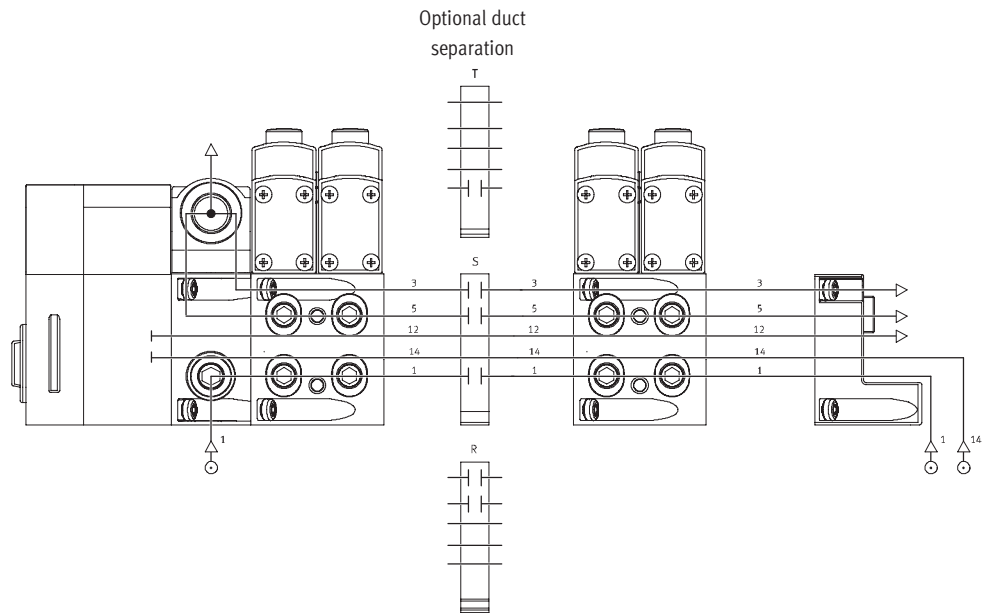


External pilot air supply, silencer/ducted exhaust air

Right-hand end plate: code X

The diagram opposite shows an example of the configuration and connection of the compressed air supply with external pilot air supply. Port 14 on the right-hand end plate is equipped with a fitting for this. Exhaust port 3/5 is drawn off via the silencer.

Duct separations can be used optionally to create pressure zones.



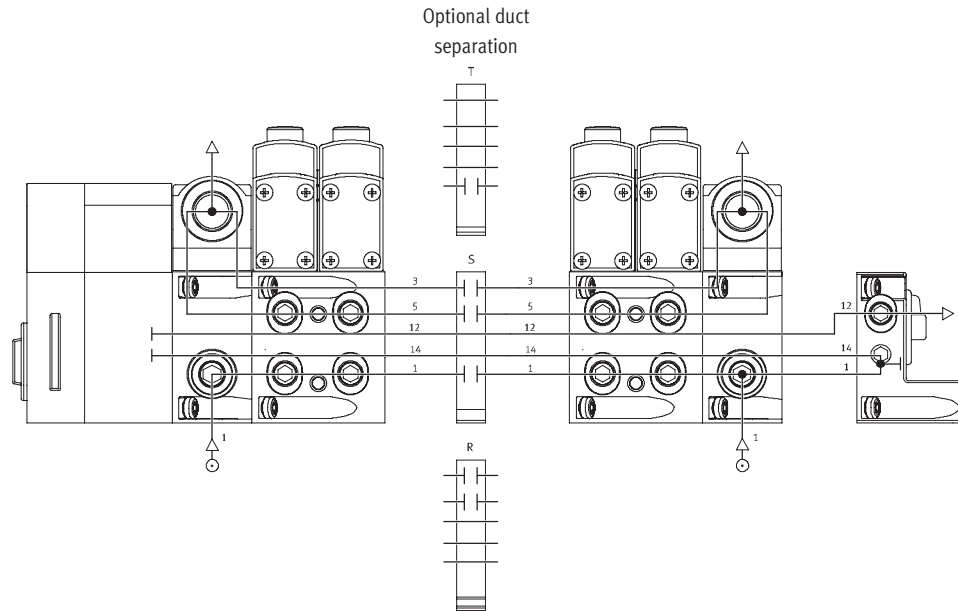
Valve manifolds type 44 VTSA, ISO 15407-2/ISO 5599-2

Key features – Pneumatic components

Examples: Compressed air supply and pilot air supply via right-hand end plate with pilot air selector

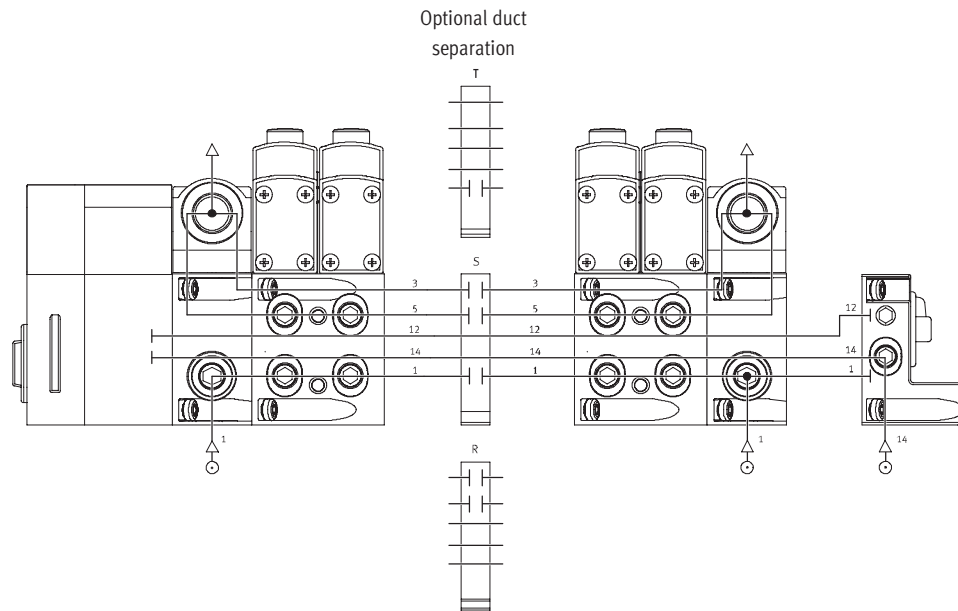
Internal pilot air supply, ducted exhaust air/silencer

Right-hand end plate: code Y, U
 The diagram opposite shows an example of the configuration and connection of the compressed air supply with internal pilot air supply. Port 14 on the right-hand end plate is tightly sealed. Exhaust port 3/5 is ducted or drawn off via the silencer. Duct separations can be used optionally to create pressure zones.



External pilot air supply, ducted exhaust air/silencer

Right-hand end plate: code Z, W
 The diagram opposite shows an example of the configuration and connection of the compressed air supply with external pilot air supply. Port 14 on the right-hand end plate is equipped with a fitting for this. Exhaust port 3/5 is ducted or drawn off via the silencer. Duct separations can be used optionally to create pressure zones.



Valve manifolds type 44 VTSA, ISO 15407-2/ISO 5599-2

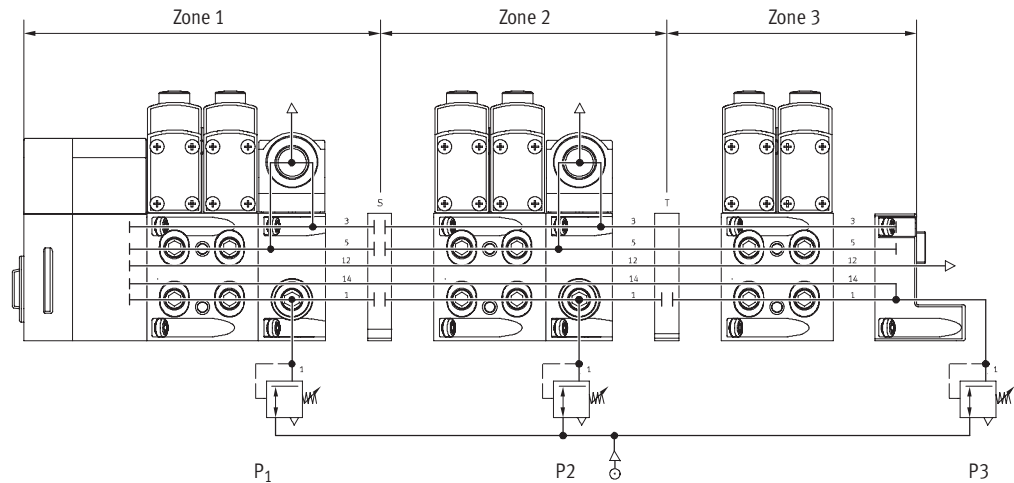
Key features – Pneumatic components

FESTO

Examples: Creating pressure zones

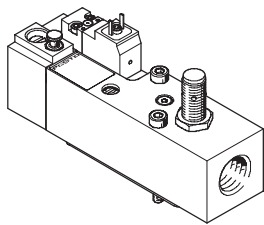
VTSA with CPX terminal connection

VTSA allows the creation of up to 16 pressure zones (up to 32 pressure zones if only size 1, ISO 5599-2, is fitted). The diagram shows an example for the configuration and connection of three pressure zones using duct separations – with internal pilot air supply.



Soft-start valve

Valve



The soft-start valve is used for slow and gradual pressure build-up and quick venting of the supply pressure of the valve manifold. If a soft-start valve is used in a valve manifold, no additional elements supplying compressed air must be used in the same pressure zone.

The piston position of the soft-start valve is monitored by a sensor. This can be used to check whether the valve

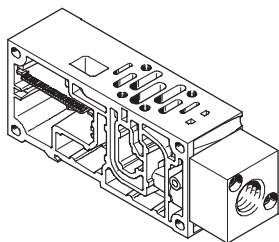
manifold compressed air supply is working. Pressure sensing via a pressure gauge (optional) is also possible.

The valve manifold can either be operated with internal pilot air supply via the soft-start valve or with internal or external pilot air supply via the different end plate variants. The type of pilot air supply is determined by the

piston position of the valve seal of the soft-start valve. If internal pilot air supply via the soft-start valve is selected, there must be no additional pilot air supply (duct 14) within the valve manifold.

Exhaust air cannot be expelled via the soft-start valve. An exhaust plate is required for operation in a pressure zone with duct 1 and 3/5 separated.

Manifold sub-base



Modified manifold sub-bases (width 42 mm) are available for the soft-start valve. This manifold sub-base supplies the pressure zone on the valve manifold with compressed air and provides a high flow range. The pneumatic interface to ISO5599-1 is used here so

that conventional individual sub-bases to ISO in combination with the soft-start valve can be used as an alternative to this manifold sub-base. Included with the manifold sub-base is a blanking plug for sealing ports on the end plate

VABE-S6-1RZ.... Depending on the position/pressure zone of the soft-start valve on the valve manifold and the use of internal or external pilot air supply, the ports of the end plate are sealed with blanking plugs.

Valve manifolds type 44 VTSA, ISO 15407-2/ISO 5599-2

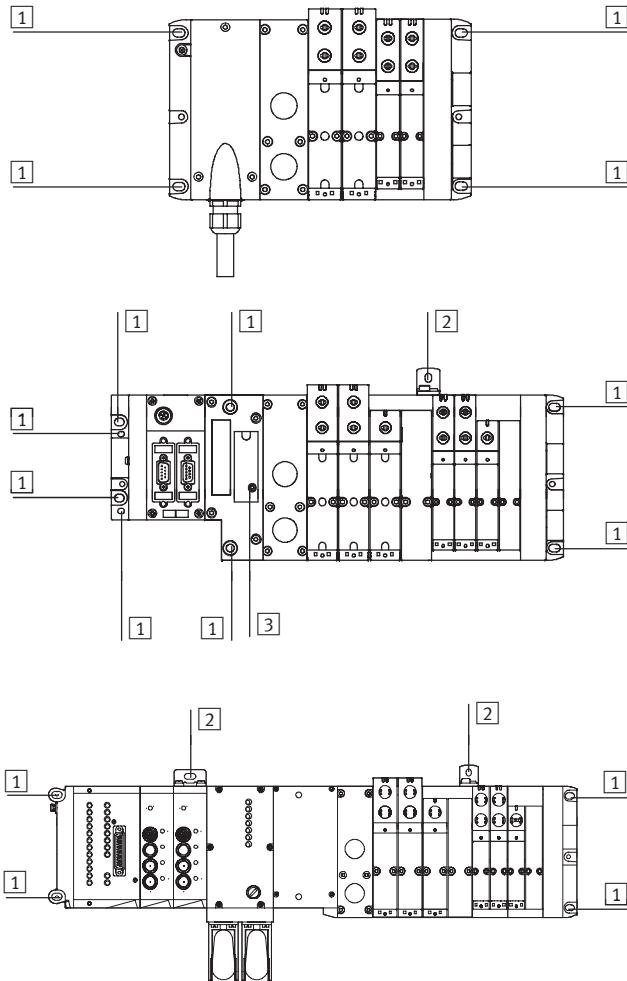
Key features – Assembly

Valve manifold assembly

Sturdy terminal mounting thanks to:

- Four through-holes for wall mounting
- Additional mounting bracket
- H-rail mounting

Wall mounting



The VTSA valve manifold is screwed onto the mounting surface using M6 screws.

The mounting holes are located at the following points:

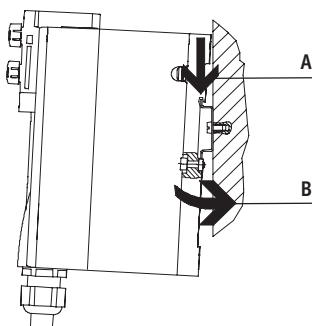
- Multi-pin plug (4 pieces):
2 each on the multi-pin connection block and the right-hand end plate
- Fieldbus, CPX (4 pieces):
2 each on the left-hand (CPX) and right-hand (VTSA) end plate. The pneumatic interface additionally provides further mounting holes as well as optional mounting brackets.
- Fieldbus, electrical peripherals type 03 (4 pieces):
2 each on the left-hand (type 03) and right-hand (VTS/VTSA-F) end plate. There are additionally optional mounting brackets available.

- 1 Hole for M6 screw
- 2 Hole for M5 screw
- 3 Hole for H-rail mounting

Note

When wall mounting valve manifolds with more than five manifold sub-bases, use additional mounting brackets of the type VAME-S...-10-W to prevent damage to the valve manifold. The mounting brackets are mounted on the pneumatic supply plates. Use mounting brackets of the type IBGW-03 for the electrical part of the valve manifold VTSA-FB-03E.

H-rail mounting



The VTSA valve manifold is hooked onto the H-rail (see arrow A).

The VTSA valve manifold is swivelled onto the H-rail and then secured with the clamping component (see arrow B).

For H-rail mounting of the valve manifold you will need the following VTSA mounting kit:

- With multi-pin plug:
CPA-BG-NRH
- With fieldbus:
CPX-CPA-BG-NRH

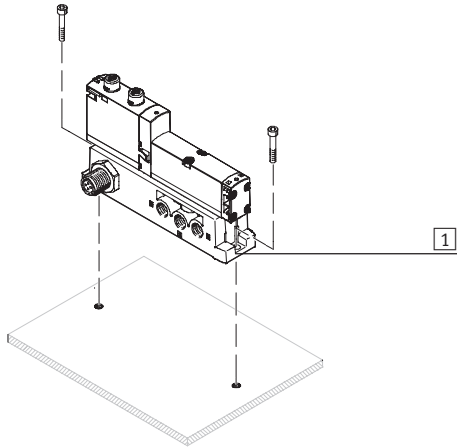
This permits mounting of the valve manifold on a H-rail to EN 60715.

Valve manifolds type 44 VTSA, ISO 15407-2/ISO 5599-2

Key features – Assembly

FESTO

Individual valve assembly



1 Vertical mounting holes

The individual sub-base for wall mounting is designed for integration into a system or machine. It is mounted vertically.

Valve manifolds type 44 VTSA, ISO 15407-2/ISO 5599-2

Key features – Display and operation

Display and operation

Each solenoid coil is allocated an LED which indicates its switching status.

- Indicator 12 shows the switching status of the pilot control for output 2
- Indicator 14 shows the switching status of the pilot control for output 4

Manual override

The manual override enables the valve to be switched when not electrically actuated or energised.

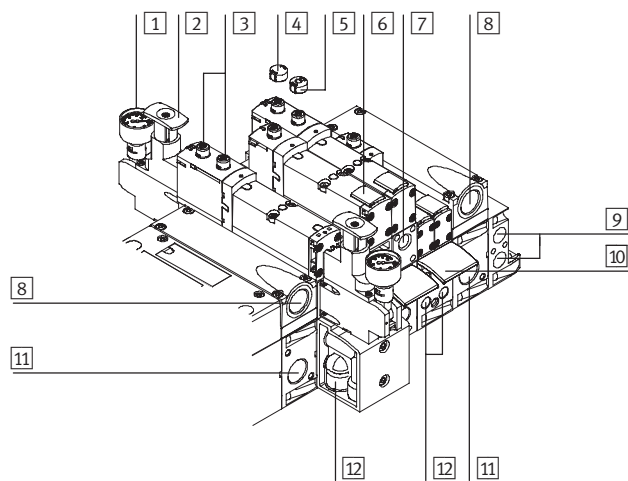
The valve is switched by pushing the manual override. The set switching status can also be locked by turning the manual override.

Alternatives:

- A cover cap (accessory code N) can be fitted over the manual override to prevent it from being turned. The valve can then only be actuated by pressing it.

- A cover (code V) can be fitted over the manual override to prevent it from being accidentally activated.

Pneumatic connection and control elements

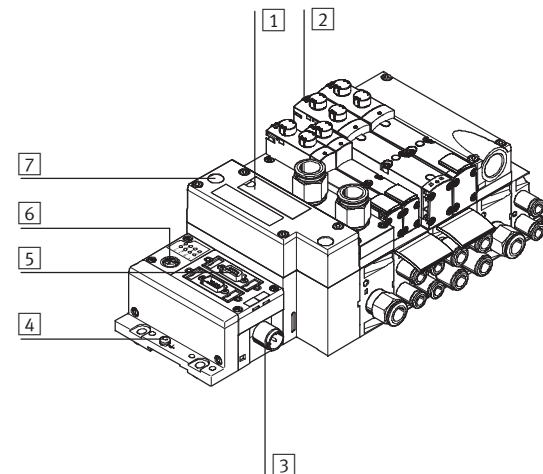


- 1 Pressure gauge (optional)
- 2 Adjusting knob for optional pressure regulator plate
- 3 Manual override (for each pilot solenoid coil, non-detenting or non-detenting/detenting)
- 4 Optional cover cap for manual override (prevents manual override)
- 5 Optional cover cap for manual override with non-detenting function
- 6 Inscription label holder for valve
- 7 Adjusting screw of optional flow control plate
- 8 Exhaust ports (valves) (3/5)
- 9 Pilot ports 12 and 14 for supplying the external pilot air
- 10 Inscription label holder for sub-base
- 11 Supply port 1 (operating pressure)
- 12 Working ports 2 and 4, for each valve position

Note

A manually actuated valve (manual override) cannot be reset electrically. Conversely, an electrically actuated valve cannot be reset using the mechanical manual override.

Electrical connection and display components



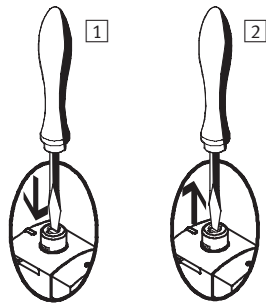
- 1 Inscription area and cover for H-rail mounting
- 2 Yellow LEDs: signal status display for pilot solenoid coils
- 3 Voltage supply connection
- 4 Earth terminal
- 5 Fieldbus connection (bus-specific)
- 6 Service interface for handheld unit, etc.
- 7 Red LED: common error display for valves

Valve manifolds type 44 VTSA, ISO 15407-2/ISO 5599-2

Key features – Display and operation

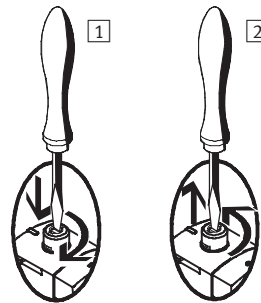
Manual override (MO)

MO with automatic return (non-detenting)



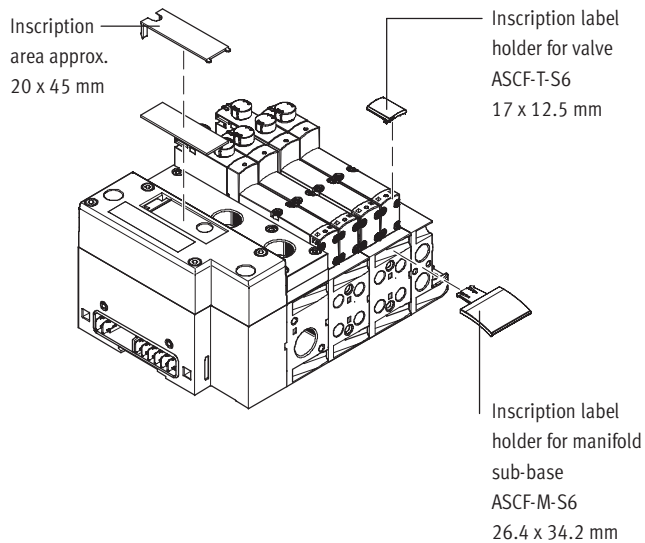
- 1 Press in the stem of the manual override using a pin or screwdriver. Valve is then switched.
- 2 Remove the pin or screwdriver. Spring force pushes the stem of the manual override back. Valve returns to initial position (not with double solenoid valve code J).

MO set via turning (covered)



- 1 Press in the stem of the manual override using a pin or screwdriver until the valve switches and then turn the stem clockwise by 90° until the stop is reached. Valve remains switched.
- 2 Turn the stem anti-clockwise by 90° until the stop is reached and then remove the pin or screwdriver. Spring force pushes the stem of the manual override back. Valve returns to initial position (not with double solenoid valve code J and D).

Inscription system



Inscription label holders can be applied to the valves and manifold sub-bases to identify them. These inscription label holders can be ordered by entering the code B or T in the order code for accessories.

Scope of delivery: inscription label holder including inscription label. The following inscription labels can be used as spares:

- Inscription label holder for valve type ASCF-T-S6: Part-No. 540 888
- Inscription label holder for manifold sub-base type ASCF-M-S6: Part No. 540 889

Large inscription labels can be attached to the pneumatic interface as an alternative or in addition to the smaller labels.

Valve manifolds type 44 VTSA, ISO 15407-2/ISO 5599-2

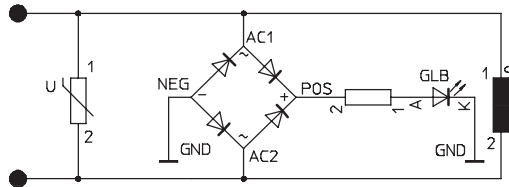
Key features – Electrical components



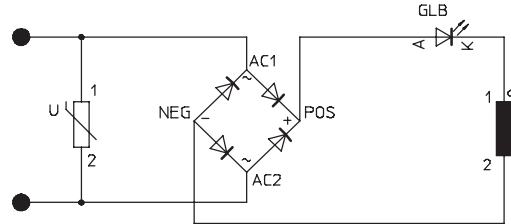
Protective circuit

Each VTSA solenoid coil is protected with a spark arresting protective circuit as well as against polarity reversal.

24 V DC version



110 V AC version



Individual valve

Valves can also be used on individual sub-bases for actuators further away from the valve manifold.

- Electrical M12 connector, 4 pin 24 V DC
- 4-pin clamped terminal connection for configuration by the user 24 V DC or 110 V AC

Individual electrical connection

A maximum of 20 solenoid coils can be actuated. 2 solenoid coils per valve can be addressed.

- Individual electrical connection M12 6-way or 10-way 5-pin 24 V DC

Electrical multi-pin plug connection

The following multi-pin plug connection variants are offered for the valve manifold VTSA:

- Sub-D multi-pin plug connection (37-pin for 24 V DC): This valve manifold is available with 1 ... 16 valve positions equipped with double solenoid valves and 1 ... 32 valve positions equipped with single solenoid valves. A maximum of 32 solenoid coils can be actuated.
- Terminal box (terminal strip for 24 V DC or 110 V AC): This valve manifold is available with 1 ... 16 valve positions equipped with

double solenoid valves and 1 ... 32 valve positions equipped with single solenoid valves.

A maximum of 32 solenoid coils can be actuated.

- Multi-pin node (round plug connector): Electrical multi-pin plug connection with round plug connector, 19-pin to CNOMO E03.62.530.N, connectinMetric thread M23 for 24 V DC. The valve manifold can be equipped with max. 16 solenoid coils.

The valves are switched by means of positive or negative logic (PNP or NPN). Mixed operation is not permitted.

Each pin on the Sub-D multi-pin plug or terminal box (terminal strip) can actuate exactly one solenoid coil. If the maximum configurable number of valve positions is 32, this means that 32 valves, each with a single solenoid coil, can be addressed.

With 16 or less valve positions, 2 solenoid coils per valve can be addressed.

Note

Use the following 37-pin connecting cables from Festo to connect the valve manifold VTSA with Sub-D multi-pin plug connection:

- NEBV-S1W37-...-LE10 for max. 8 solenoid coils
- NEBV-S1W37-...-LE26 for max. 22 solenoid coils
- NEBV-S1W37-...-LE37 for max. 32 solenoid coils
- NECV-S1W37 pre-assembled plug connector

Fieldbus connection/control block

All functions and features of the electrical peripherals CPX are permitted in connection with the CPX interface. This means:

- The valves and electrical outputs are supplied via the operating voltage connection CPX
- The valves are supplied and switched off independently via a separate port on the CPX

Note

Further information can be found here:

➔ Internet: cpx

Valve manifolds type 44 VTSA, ISO 15407-2/ISO 5599-2

Key features – Electrical components



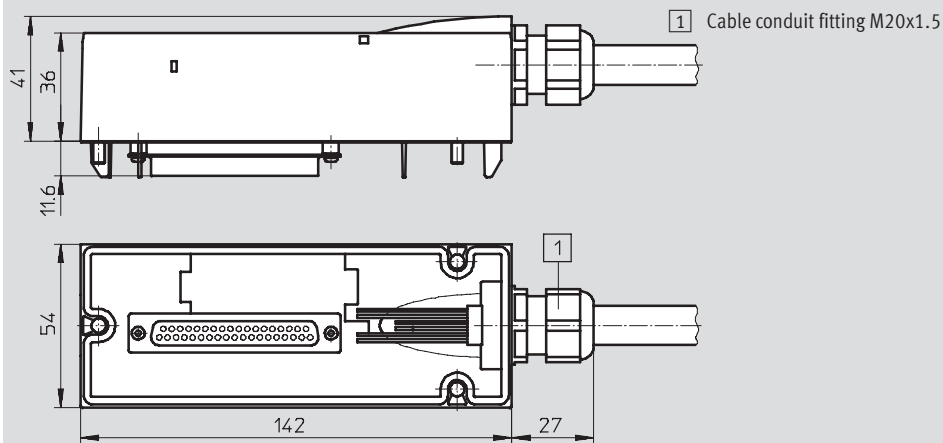
Pin allocation – Sub-D plug socket, 24 V DC; electrical connection code MP1							
	Pin ²⁾	Address/coil	Wire colour ¹⁾		Pin ²⁾	Address/coil	Wire colour ¹⁾
	1	0	WH		17	16	WH PK
	2	1	BN		18	17	PK BN
	3	2	GN		19	18	WH BU
	4	3	YE		20	19	BN BU
	5	4	GY		21	20	WH RD
	6	5	PK		22	21	BN RD
	7	6	BU		23	22	GY GN
	8	7	RD		24	23	YE GY
	9	8	GY PK		25	24	PK GN
	10	9	RD BU		26	25	YE PK
	11	10	WH GN		27	26	GN BU
	12	11	BN GN		28	27	YE BU
	13	12	WH YE		29	28	GN RD
	14	13	YE BN		30	29	YE RD
	15	14	WH GY		31	30	GN BK
	16	15	GY BN		32	31	GY BU
Note The drawing shows the view on the Sub-D plug socket at the multi-pin cable NEBV-S1W37-....	Conductor						
	33	0 V ³⁾	YE BK		35	0 V ³⁾	BN BK
	34	0 V ³⁾	WH BK		36	0 V ³⁾	BK
	Earthing						
	37	FE	VT		–	–	–

- 1) To IEC 757
- 2) Pin 9 ... 35: Not allocated with cable NEBV-S1-W37-...-LE10
Pin 23 ... 33: Not allocated with cable NEBV-S1-W37-...-LE26
- 3) 0 V for positive switching control signals; connect 24 V for negative switching control signals; mixed operation is not permitted.

Dimensions

Download CAD Data → www.festo.com/us/cad

Connecting cable NEBV-S1W37-...



The wire colours refer to the following pre-assembled multi-pin cables from Festo:

- NEBV-S1W37-...-10 for valve manifold with max. 8 solenoid coils
- NEBV-S1W37-...-26 for valve manifold with max. 22 solenoid coils
- NEBV-S1W37-...-37 for valve manifold with max. 32 solenoid coils

Valve manifolds type 44 VTSA, ISO 15407-2/ISO 5599-2



Key features – Electrical components

Sub-D plug, 24 V DC; electrical connection code MP1						
Type	Sheath	Length [m]	Wire x mm ² [mm ²]	Cable Ø [mm]	Part No.	
NEBV-S1W37-E2,5-LE10	Polyurethane	2.5	10 x 0.34	7.7	539 240	
NEBV-S1W37-E5-LE10		5			539 241	
NEBV-S1W37-E10-LE10		10			539 242	
NEBV-S1W37-E2,5-LE26		Polyurethane	2.5	26 x 0.34	11.5	539 243
NEBV-S1W37-E5-LE26			5			539 244
NEBV-S1W37-E10-LE26			10			539 245
NEBV-S1W37-K2,5-LE37			2.5	37 x 0.34	13	539 246
NEBV-S1W37-K5-LE37			5			539 247
NEBV-S1W37-K10-LE37			10			539 248
NEBV-S1W37-KM-2,5-LE10	Polyvinyl chloride	2.5	10 x 0.34	7.7	543 271	
NEBV-S1W37-KM-5-LE10		5			543 272	
NEBV-S1W37-KM-10-LE10		10			543 273	
NEBV-S1W37-KM-2,5-LE27		Polyvinyl chloride	2.5	27 x 0.34	11.5	543 274
NEBV-S1W37-KM-5-LE27			5			543 275
NEBV-S1W37-KM-10-LE27			10			543 276
NEBV-S1W37-KM-2,5-LE37			2.5	37 x 0.34	13	543 277
NEBV-S1W37-KM-5-LE37			5			543 278
NEBV-S1W37-KM-10-LE37			10			543 279

Pin allocation – Multi-pin terminal strip (Cage Clamp®), 24 V DC and 110 V AC; electrical connection code T											
	Terminal	Coil/address		Terminal	Coil/address						
<p>Each solenoid coil must be assigned to a specific terminal on the terminal strip in order for actuation of the valves to take place.</p>	1	0		17	16						
	2	1		18	17						
	3	2		19	18						
	4	3		20	19						
	5	4		21	20						
	6	5		22	21						
	7	6		23	22						
	8	7		24	23						
	9	8		25	24						
	10	9		26	25						
	11	10		27	26						
	12	11		28	27						
	13	12		29	28						
	14	13		30	29						
	15	14		31	30						
	16	15		32	31						
Note	<table border="1"> <thead> <tr> <th colspan="2">Conductor</th> </tr> </thead> <tbody> <tr> <td>33</td> <td>0 V</td> </tr> <tr> <td>34</td> <td>0 V</td> </tr> </tbody> </table>					Conductor		33	0 V	34	0 V
Conductor											
33	0 V										
34	0 V										
				35	0 V						
				36	0 V						

1) 0 V for positive switching control signals; connect 24 V for negative switching control signals; mixed operation is not permitted.

Valve manifolds type 44 VTSA, ISO 15407-2/ISO 5599-2

Key features – Electrical components

Pin allocation – Round plug connector, 24 V DC; electrical connection code MP4					
	Address	Pin ¹⁾		Address	Pin ¹⁾
	0	15		8	17
	1	7		9	9
	2	5		10	2
	3	4		11	13
	4	16		12	11
	5	8		13	10
	6	3		14	1
	7	14		15	18

1) Pin 6: 0 V for positive switching control signals; connect 24 V for negative switching control signals; mixed operation is not permitted.
 Pin 12: Earth
 Pin 19: Unused

Rules for addressing

- Address allocation does not depend on whether single or double solenoid valves are fitted.
- Addresses are allocated in ascending order without gaps, from left to right.
- A valve position for actuating one solenoid coil occupies one address (type VABV-...-...T1).
- A valve position for actuating two solenoid coils occupies two addresses (type VABV-...-...T2). The following allocation applies in this case:
 - Coil 14: Lower-value address
 - Coil 12: Higher-value address

Pin allocation – Round plug connector, 24 V DC; electrical connection – CNOMO allocation					
	Pin	Valve position/ solenoid coil		Pin	Valve position/ solenoid coil
	1	8/14		10	7/12
	2	6/14		11	7/14
	3	4/14		12	FE
	4	2/12		13	6/12
	5	2/14		14	4/12
	6	0 V ¹⁾		15	1/14
	7	1/12		16	3/14
	8	3/12		17	5/14
	9	5/12		18	8/12
			19	Unused	

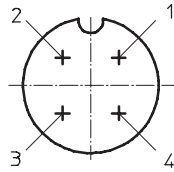
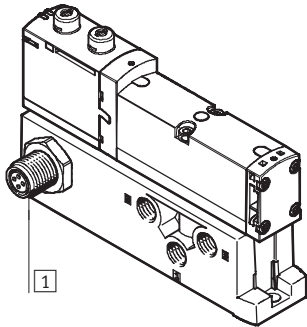
1) 0 V for positive switching control signals; connect 24 V for negative switching control signals; mixed operation is not permitted.

Valve manifolds type 44 VTSA, ISO 15407-2/ISO 5599-2

Key features – Electrical components



Electrical connection, individual valve 24 V DC



1 Connector plug M12x1, 4-pin to EN 61076-2-101

Pin allocation M12 on individual valve to ISO 20401

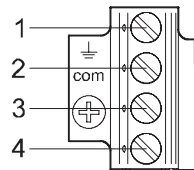
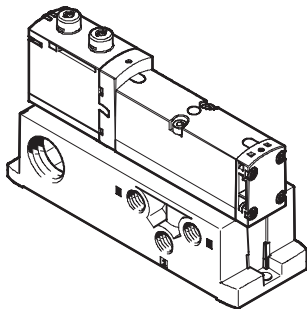
With positive logic:

- Pin1 – Unused
- Pin2 – V_B for coil 12
- Pin3 – 0 V for coil 12 and 14
- Pin4 – V_B for coil 14

With negative logic:

- Pin1 – Unused
- Pin2 – 0 V for coil 12
- Pin3 – V_B for coil 12 and 14
- Pin4 – 0 V for coil 14

Electrical connection, individual valve 24 V DC or 110 V AC



1 Connector plug M12x1, 4-pin to EN 61076-2-101

Pin allocation for assembly by the user

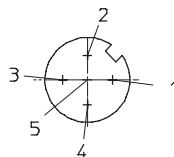
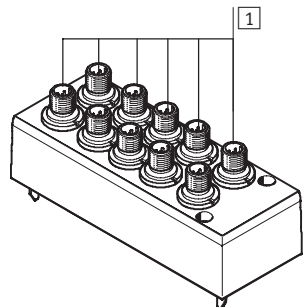
With positive logic:

- Pin1 – Unused (with 110 V AC connection for earthing)
- Pin2 – V_B for coil 12
- Pin3 – 0 V for coil 12 and 14
- Pin4 – V_B for coil 14

With negative logic:

- Pin1 – Unused
- Pin2 – 0 V for coil 12
- Pin3 – V_B for coil 12 and 14
- Pin4 – 0 V for coil 14

Individual electrical connection, 6-way or 10-way, 24 V DC, code MP2/MP3 for valve manifold



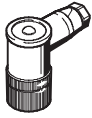

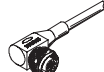
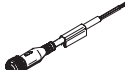
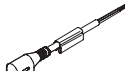
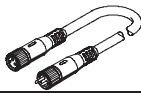
1 Connector plug M12x1, 5-pin

Pin allocation M12

- Pin1 – Unused
- Pin2 – V_B for coil 12
- Pin3 – 0 V for coil 12 and 14
- Pin4 – V_B for coil 14
- Pin5 – Functional earth

Valve manifolds type 44 VTSA, ISO 15407-2/ISO 5599-2

Key features – Electrical components

Electrical connection technology				
	Electrical connection	Type of mounting/cable length	Type	Part No.
Plug socket for connecting individual valves				
	Angled plug socket, 4-pin, screw terminal	Union nut M12	SEA-M12-4WD-PG7	185 498
Plug socket with cable for connecting individual valves				
	Straight socket, 4-pin, M12	5 m	SIM-M12-4GD-5-PU	164 259
	Angled socket, 4-pin, M12	5 m	SIM-M12-4WD-5-PU	164 258
	Straight socket, 5-pin, M12	5 m	NEBU-M12G5-K-5-LE3	541 364
	Angled socket, 5-pin, M12	5 m	NEBU-M12W5-K-5-LE3	541 370
	Modular system for connecting cables	–	NEBU-... → Internet: nebu	–

Valve manifolds type 44 VTSA, ISO 15407-2/ISO 5599-2

FESTO

Instructions for use

System equipment

Operate system equipment with unlubricated compressed air if possible. Festo valves and cylinders are designed so that, if used as designated, they will not require additional lubrication and will still achieve a long service life.

The quality of compressed air downstream from the compressor must correspond to that of unlubricated compressed air. If possible, do not operate all of your system equipment with lubricated compressed air. The lubricators should, where possible, always be installed directly upstream of the actuator used.

Unsuitable additional oil and an excessive oil content in the compressed air reduce the service life of the valve manifold.

Use Festo special oil OFSW-32 or the alternatives listed in the Festo catalogue (as specified in DIN 51524 HLP32; basic oil viscosity 32 CST at 40 °C).

Bio-oils

When using bio-oils (oils which are based on synthetic or native ester, e.g. rapeseed oil methyl ester), the maximum residual oil content of 0.1 mg/m³ must not be exceeded (see ISO 8573-1 Class 2).

Mineral oils

When using mineral oils (e.g. HLP oils to DIN 51524, parts 1 through 3) or similar oils based on poly-alpha-olefins (PAO), the maximum residual oil content of 5 mg/m³ must not be exceeded (see ISO 8573-1 Class 4).

A higher residual oil content irrespective of the compressor oil cannot be permitted, as the basic lubricant would be flushed out over time.

Valve manifolds type 44 VTSA, ISO 15407-2/ISO 5599-2



Technical data

Flow rate

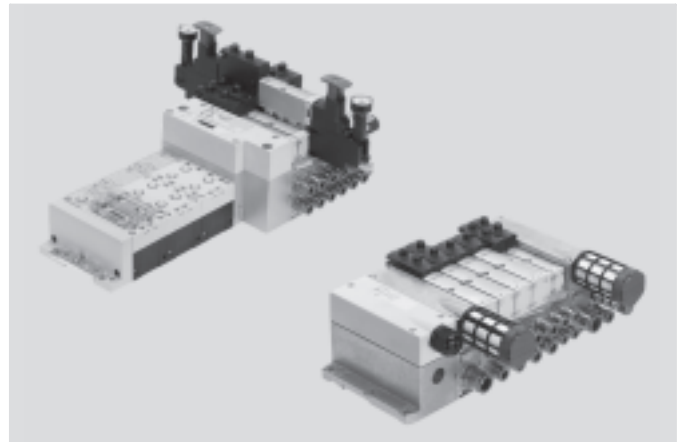
- Width 18 mm:
Up to 550 l/min
- Width 26 mm:
Up to 1,100 l/min
- Width 42 mm:
Up to 1,500 l/min

Valve width

- 02: 18 mm
- 01: 26 mm
- 1: 42 mm

Voltage

- 24 V DC
- 110 V AC



General technical data							
Constructional design	Electromagnetically actuated piston spool valve						
Lubrication	Lubricated for life						
Type of mounting	Wall mounting						
	On H-rail to EN 60715						
Mounting position	Any						
Manual override	Non-detenting, non-detenting/detenting, covered						
Width	18 mm		26 mm		42 mm		
Pneumatic connections	Metric thread	NPT thread	Metric thread	NPT thread	Metric thread	NPT thread	
Pneumatic connection	Via manifold sub-base						
Supply port	1	G $\frac{1}{2}$, QS-G $\frac{1}{2}$ -12, QS-G $\frac{1}{2}$ -16	$\frac{1}{2}$ NPT, QS- $\frac{1}{2}$ - $\frac{1}{2}$ -U, QS- $\frac{1}{2}$ - $\frac{5}{8}$ -U	G $\frac{1}{2}$, QS-G $\frac{1}{2}$ -12, QS-G $\frac{1}{2}$ -16	$\frac{1}{2}$ NPT, QS- $\frac{1}{2}$ - $\frac{1}{2}$ -U, QS- $\frac{1}{2}$ - $\frac{5}{8}$ -U	G $\frac{1}{2}$, QS-G $\frac{1}{2}$ -12, QS-G $\frac{1}{2}$ -16	$\frac{1}{2}$ NPT, QS- $\frac{1}{2}$ - $\frac{1}{2}$ -U, QS- $\frac{1}{2}$ - $\frac{5}{8}$ -U
Exhaust port	3/5	G $\frac{1}{2}$, QS-G $\frac{1}{2}$ -12, QS-G $\frac{1}{2}$ -16	$\frac{1}{2}$ NPT, QS- $\frac{1}{2}$ - $\frac{1}{2}$ -U, QS- $\frac{1}{2}$ - $\frac{5}{8}$ -U	G $\frac{1}{2}$, QS-G $\frac{1}{2}$ -12, QS-G $\frac{1}{2}$ -16	$\frac{1}{2}$ NPT, QS- $\frac{1}{2}$ - $\frac{1}{2}$ -U, QS- $\frac{1}{2}$ - $\frac{5}{8}$ -U	G $\frac{1}{2}$, QS-G $\frac{1}{2}$ -12, QS-G $\frac{1}{2}$ -16	$\frac{1}{2}$ NPT, QS- $\frac{1}{2}$ - $\frac{1}{2}$ -U, QS- $\frac{1}{2}$ - $\frac{5}{8}$ -U
Working ports	2/4	Depending on the connection type selected					
		<ul style="list-style-type: none"> • G$\frac{1}{8}$ • QS-G$\frac{1}{8}$-6 • QS-G$\frac{1}{8}$-8 	<ul style="list-style-type: none"> • $\frac{1}{8}$NPT • QS-$\frac{1}{8}$-$\frac{1}{4}$-U • QS-$\frac{1}{8}$-$\frac{5}{16}$-U 	<ul style="list-style-type: none"> • G$\frac{1}{4}$ • QS-G$\frac{1}{4}$-8 • QS-G$\frac{1}{4}$-10 	<ul style="list-style-type: none"> • $\frac{1}{4}$NPT • QS-$\frac{1}{4}$-$\frac{5}{16}$-U • QS-$\frac{1}{4}$-$\frac{3}{8}$-U 	G $\frac{3}{8}$ QS-G $\frac{3}{8}$ -12, QS-G $\frac{3}{8}$ -10	<ul style="list-style-type: none"> • $\frac{3}{8}$NPT, QS-$\frac{3}{8}$-$\frac{3}{8}$-U, QS-$\frac{3}{8}$-$\frac{1}{2}$-U
External pilot air supply port	14	G $\frac{1}{4}$	$\frac{1}{4}$ NPT	G $\frac{1}{4}$	$\frac{1}{4}$ NPT	G $\frac{1}{4}$	$\frac{1}{4}$ NPT
Pilot exhaust air port	12	G $\frac{1}{4}$	$\frac{1}{4}$ NPT	G $\frac{1}{4}$	$\frac{1}{4}$ NPT	G $\frac{1}{4}$	$\frac{1}{4}$ NPT

Note: This product conforms with the ISO 1179-1 standard and the ISO 228-1 standard.

Note: All metric products can be used within inch tubing systems via hybrid fittings (→ Overview on page 88)

Valve manifolds type 44 VTSA, ISO 15407-2/ISO 5599-2

Technical data

Standard nominal flow rate [l/min]													
Valve function order code	M	O	J	D	N	K	H	B	G	E	P	Q	R
Width 18 mm													
Flow rate of valve	750				600			700 ¹⁾ 430 ²⁾		600			
Flow rate of valve on individual sub-base	600				500			550 ¹⁾ 360 ²⁾		500			
Flow rate of valve on valve manifold	550				400			450 ¹⁾ 300 ²⁾		400			
Width 26 mm													
Flow rate of valve	1,400				1,250			1,400 ¹⁾ 1,000 ²⁾		1,250			
Flow rate of valve on individual sub-base	1,200				1,100			1,200 ¹⁾ 850 ²⁾		1,000			
Flow rate of valve on valve manifold	1,100				900			1,000 ¹⁾ 700 ²⁾		900			
Width 42 mm													
Flow rate of valve	1,800				1,400			1,700 ¹⁾ 750 ²⁾		1,400			
Flow rate of valve on individual sub-base	1,300				1,200			1,200 ¹⁾ 800 ²⁾		1,200			
Flow rate of valve on valve manifold	1,500				1,200			1,400 ¹⁾ 800 ²⁾		1,200			

1) Switching position

2) Mid-position

Operating and environmental conditions													
Valve function order code	M	O	J	D	N	K	H	B	G	E	P	Q	R
Operating medium	Filtered compressed air, lubricated or unlubricated, inert gases → 48												
Grade of filtration	[µm]	40 (average pore size)											
Operating pressure	[bar]	-0.9 ... +10			3 ... 10			-0.9 ... +10					
Operating pressure for valve manifold with internal pilot air supply	[bar]	3 ... 10											
Pilot pressure	[bar]	3 ... 10											
Ambient temperature	[°C]	-5 ... +50											
Temperature of medium	[°C]	-5 ... +50											
Storage temperature ¹⁾	[°C]	-20 ... +40											
CE mark (see declaration of conformity)		To EU Low Voltage Directive											
Relative air humidity	[%]	90											

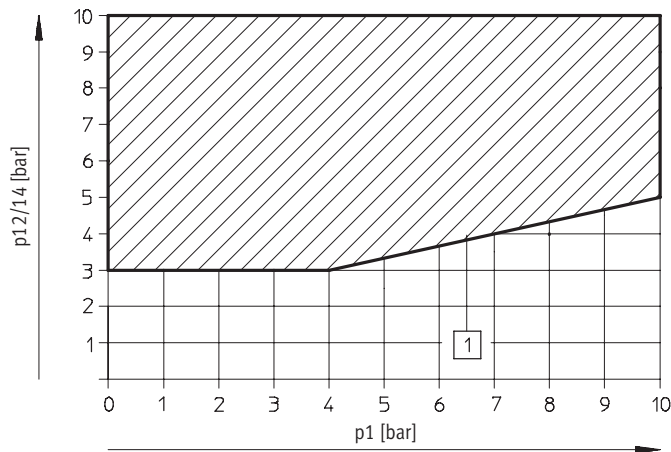
1) Long-term storage

Valve manifolds type 44 VTSA, ISO 15407-2/ISO 5599-2

Technical data

Pilot pressure p12/14 as a function of operating pressure p1

for 3/2-way valves



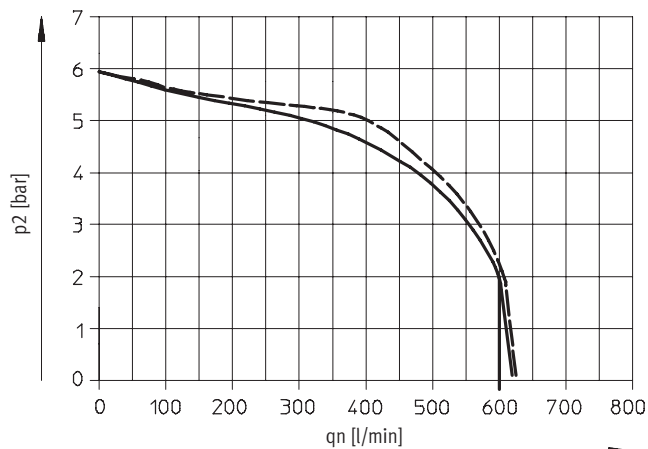
1 Operating range for valves with external pilot air supply

Valve switching times [ms]

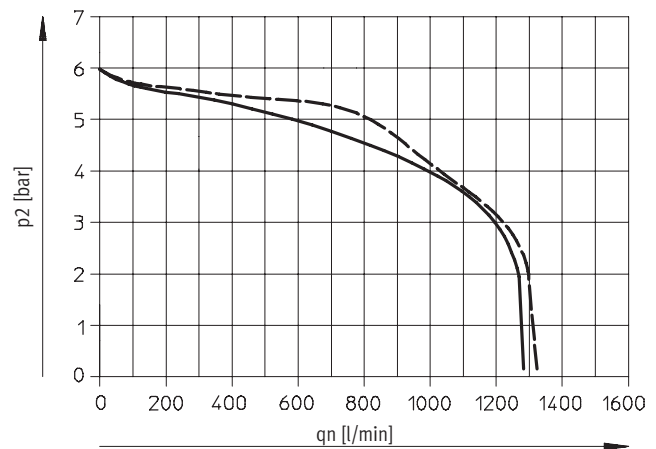
Valve function order code	M	O	J	D	N	K	H	B	G	E	P	Q	R	
18 mm														
Switching times	on	22	12	–	–	12	12	12	15	15	15	25	25	25
	off	28	38	–	–	30	30	30	44	44	44	12	12	12
	changeover	–	–	11	11	–	–	–	–	–	–	–	–	–
26 mm														
Switching times	on	25	20	–	–	20	20	20	22	22	22	32	32	32
	off	45	65	–	–	38	38	38	65	65	65	30	30	30
	changeover	–	–	18	18	–	–	–	–	–	–	–	–	–
42 mm														
Switching times	on	27	22	–	–	20	20	20	22	22	22	34	34	34
	off	45	60	–	–	38	38	38	65	65	65	28	28	28
	changeover	–	–	16	16	–	–	–	–	–	–	–	–	–

Flow rate qn as a function of output pressure p2 with pressure regulator plates (P regulator plate) for port 1

Width 18 mm



Width 26 mm



--- 6 bar
— 10 bar

--- 6 bar
— 10 bar

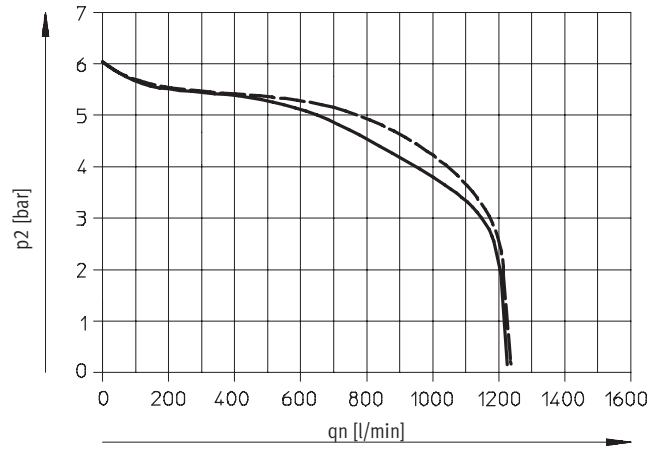
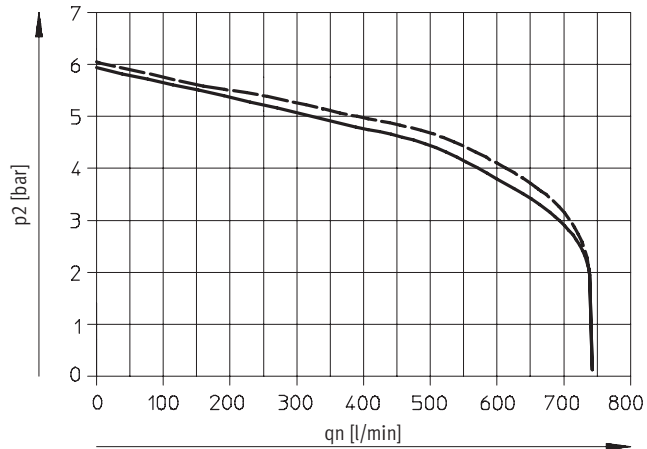
Valve manifolds type 44 VTSA, ISO 15407-2/ISO 5599-2

Technical data

Flow rate q_n as a function of output pressure p_2 with pressure regulator plates (AB regulator plates) for port 2, 4 or ports 4/2

Width 18 mm

Width 26 mm



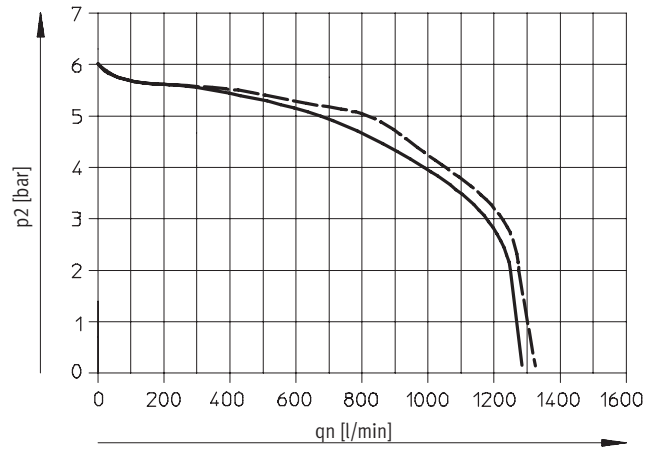
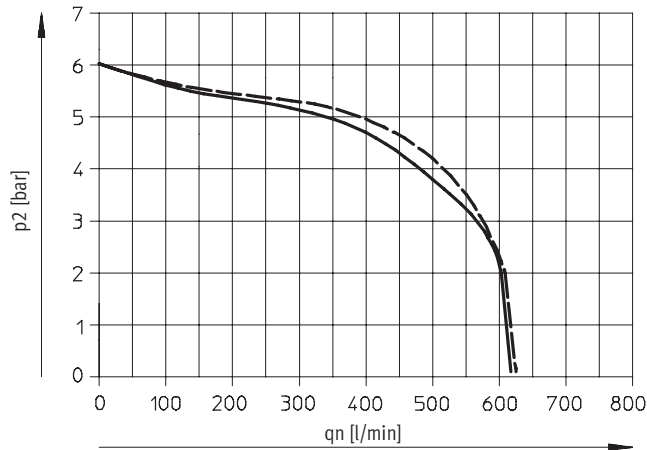
--- 6 bar
— 10 bar

--- 6 bar
— 10 bar

Flow rate q_n as a function of output pressure p_2 with pressure regulator plates (AB regulator plates, rev.) for ports 4/2, reversible

Width 18 mm

Width 26 mm



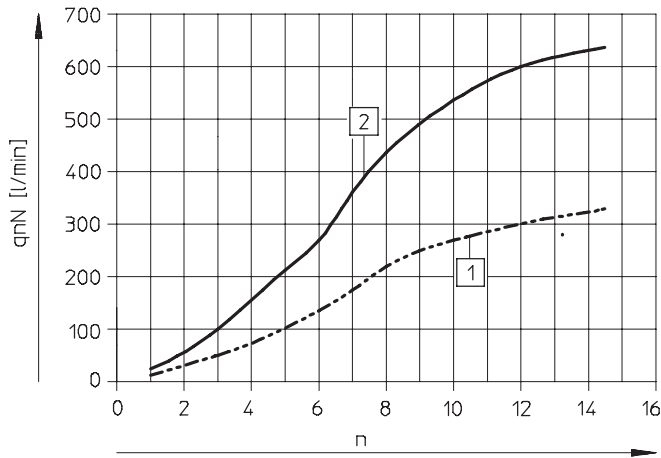
--- 6 bar
— 10 bar

--- 6 bar
— 10 bar

Valve manifolds type 44 VTSA, ISO 15407-2/ISO 5599-2

Technical data

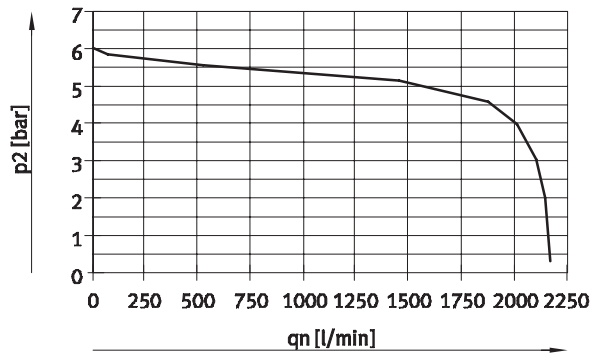
Flow rate q_N as a function of flow control



- 1 Width 18 mm
 - 2 Width 26 mm
- n Revolutions of the adjusting screw

Flow rate q_N as a function of output pressure p_2 with pressure regulator plates (P regulator plate) for port 1

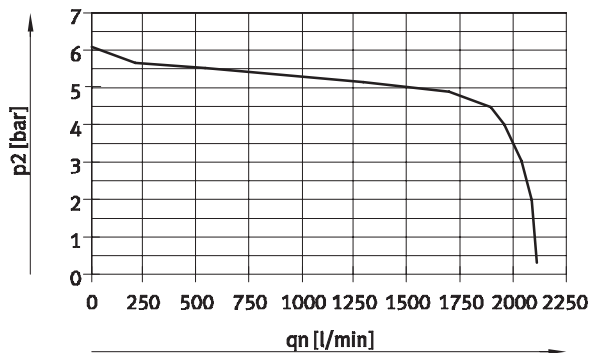
Width 42 mm



Supply pressure 10 bar,
set regulator pressure 6 bar

Flow rate q_N as a function of output pressure p_2 with pressure regulator plates (AB regulator plates) for port 2, 4 or ports 4/2

Width 42 mm



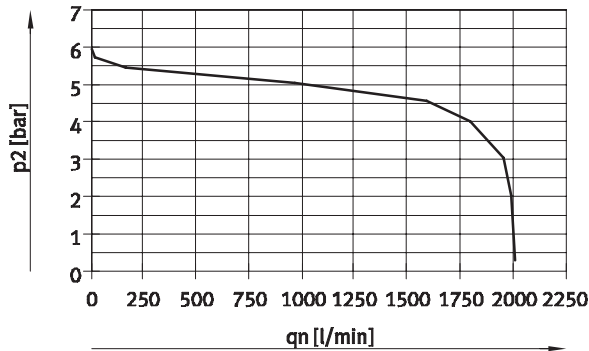
Supply pressure 10 bar,
set regulator pressure 6 bar

Valve manifolds type 44 VTSA, ISO 15407-2/ISO 5599-2

Technical data

Flow rate q_n as a function of output pressure p_2 with pressure regulator plates (AB regulator plates, rev.) for ports 4/2, reversible

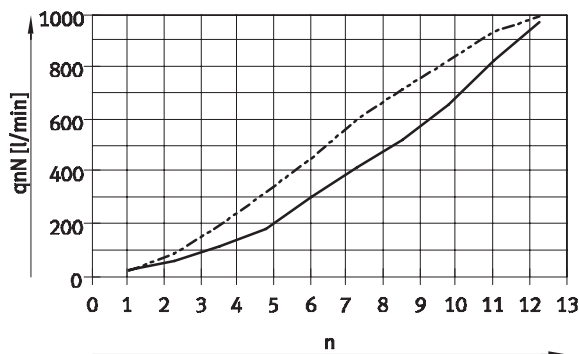
Width 42 mm



Supply pressure 10 bar,
set regulator pressure 6 bar

Flow rate q_n as a function of flow control

Width 42 mm



- Flow control screw from 2 → 3
- - - Flow control screw from 4 → 5
- n Revolutions of the adjusting screw

Electrical data			
VTSA with CPX terminal	18 mm	26 mm	42 mm
Voltage supply for electronics ($V_{EL/SEN}$)			
Operating voltage	[V DC]	24 ±10%	
Max. intrinsic current consumption at 24 V DC	[mA]	20	
Duty cycle		100%	
Load voltage supply for valves (V_{val})			
Operating voltage	[V DC]	24 ±10%	
Diagnostic message undervoltage V_{OFF} load voltage outside function range	[V]	21.6 ... 21.5	
Protection class to EN 60529		IP65 (for all types of signal transmission in assembled state)	
Power consumption at 24 V DC			
2x 3/2-way valve	[W]	1.3	
5/2-way valve, 5/3-way valve	[W]	1.6	

Valve manifolds type 44 VTSA, ISO 15407-2/ISO 5599-2

Technical data

Electrical data			
VTSA with multi-pin plug connection		18 mm	26 mm 42 mm
Load voltage supply for valves (V _{val})			
Operating voltage	[V DC]	24 ±10%	
	[V AC]	110 ±10% (50 ... 60 Hz)	
Maximum residual current	[A]	6	
Acceptable current load at 40 °C	[A]	1	
Surge capacity	[kV]	1.5	
Degree of contamination		3	
Duty cycle		100%	
Protection class to EN 60529		IP65 (for all types of signal transmission in assembled state)	
Power consumption at 24 V DC			
2x 3/2-way valve	[W]	1.3	
5/2-way valve, 5/3-way valve	[W]	1.6	
Power consumption at 110 V AC			
2x 3/2-way valve	[VA]	1	
5/2-way valve, 5/3-way valve	[VA]	1.6	

Electrical data			
VTSA with individual connection		18 mm	26 mm 42 mm
Load voltage supply for valves (V _{val})			
Operating voltage	[V DC]	24 ±10%	
Maximum residual current	[A]	10	
Duty cycle		100%	
Protection class to EN 60529		IP65 (for all types of signal transmission in assembled state)	
Power consumption at 24 V DC			
2x 3/2-way valve	[W]	1.3	
5/2-way valve, 5/3-way valve	[W]	1.6	

Electrical data			
Valve on individual sub-base		18 mm	26 mm 42 mm
Acceptable current load at 40 °C	[A]	2 (1 A per coil)	
Variants with round plug M12			
Operating voltage range	[V DC]	24	
Surge capacity	[kV]	0.8	
Variants with cable conduit fitting			
Operating voltage range	[V DC]	300	
	[V AC]	300	
Surge capacity	[kV]	4	

Materials	
Manifold sub-base	Die-cast aluminum
Valve	Die-cast aluminum, reinforced polyamide
Seals	Nitrile rubber, elastomer (support made of steel)
Supply plate	Die-cast aluminum
Right-hand end plate	Die-cast aluminum
Pneumatic interface for CPX	Die-cast aluminum
Flow control plate	Die-cast aluminum
Pressure regulator plate	Die-cast aluminum, reinforced polyamide
Multi-pin connection block	Die-cast aluminum
Cover for the pneumatic interface and multi-pin plug connection	Wellamid, reinforced polyamide

Valve manifolds type 44 VTSA, ISO 15407-2/ISO 5599-2

Technical data

Product weight	Design			
	Approx. weight [g]	18 mm	26 mm	42 mm
Sub-D multi-pin interface module or terminal strip ¹⁾	550			
Interface module CPX ¹⁾	1,470			
Electrical interface for AS-interface	300			
AS-interface module	850			
Supply plate ²⁾				
• Exhaust plate with 3 and 5 common	617			
• Exhaust port cover with 3 and 5 separated	597			
Right-hand end plate ³⁾				
• Axial	339			
• Selector	281			
Manifold sub-base ⁴⁾	447	634	340	
90° connection plate ³⁾	170	230	176	
Pressure regulator plate				
for port 1	350	402	640	
for port 4 or 2	367	448	640	
for ports 4/2	611	692	920	
Flow control plate	228	320	220	
Vertical supply plate ³⁾	140	191	340	
Vertical pressure shut-off plate	209	273	600	
Valves				
• 5/3-way valve (code: B, G, E)	191	320	456	
• 5/2-way valve, single solenoid (code: M, O)	163	293	426	
• 5/2-way valve, double solenoid (code: J, D)	172	276	439	
• 2x 3/2-way valve (code: N, K, H, P, Q, R)	190	335	442	
Blanking plate	34.4	73.3	68	

1) With sheet metal seal, printed circuit board

2) With sheet metal seal and electrical manifold module

3) With screws

4) With sheet metal seal, electrical manifold module, inscription label holder, 4 screws

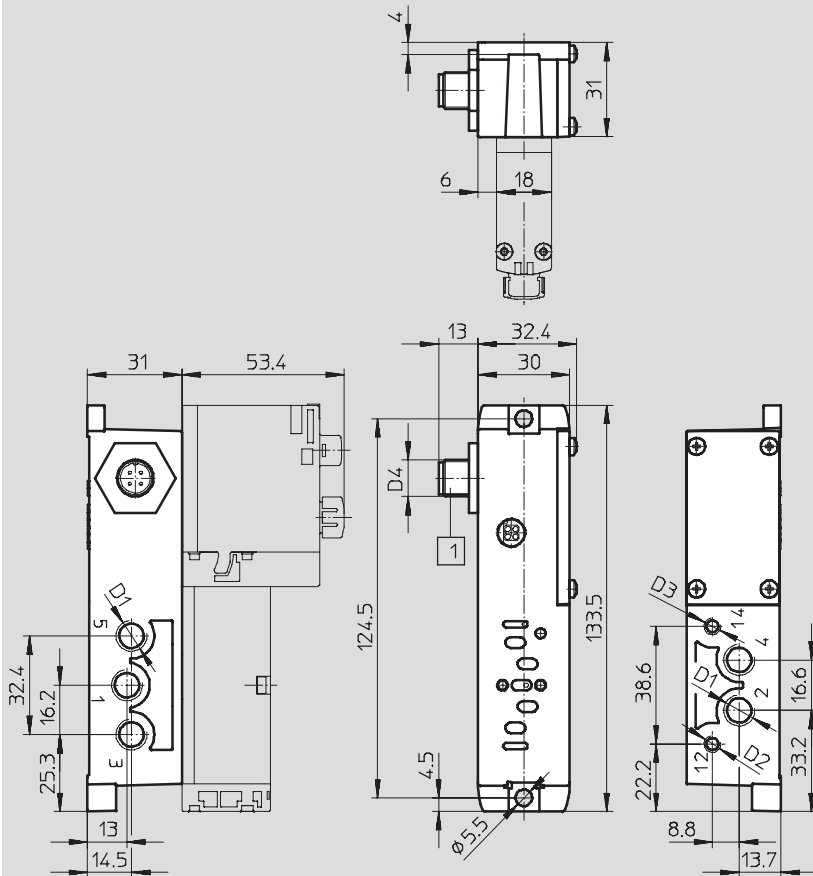
Valve manifolds type 44 VTSA, ISO 15407-2/ISO 5599-2

Technical data

Dimensions

Download CAD Data → www.festo.com/us/cad

Individual sub-base with M12 plug, width 18 mm



1 Plug to EN 61076-2-101

Type	D1	D2	D3	D4
External pilot air supply, M12 plug				
VABS-S4-2S-G18-R3	G1/8	M5	M5	M12
Internal pilot air supply, M12 plug				
VABS-S4-2S-G18-B-R3	G1/8	M5	-	M12

Note: This product conforms with the ISO 1179-1 standard and the ISO 228-1 standard.

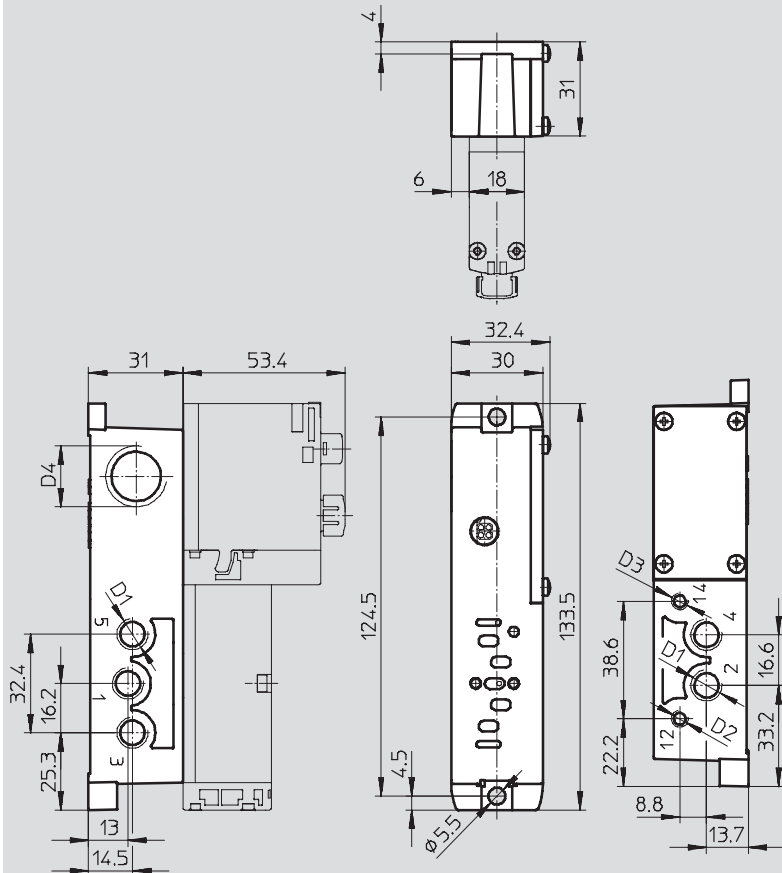
Note: All metric products can be used within inch tubing systems via hybrid fittings (→ Overview on page 88)

Valve manifolds type 44 VTSA, ISO 15407-2/ISO 5599-2

Technical data

Dimensions Download CAD Data → www.festo.com/us/cad

Individual sub-base with cable terminals, width 18 mm



Type	D1	D2	D3	D4
External pilot air supply, cable terminals				
VABS-S4-2S-G18-K2	G1/8	M5	M5	M20x1.5
VABS-S4-2S-N18-K2	1/8NPT	10-32 UNF-2B	10-32 UNF-2B	1/2NPT
Internal pilot air supply, cable terminals				
VABS-S4-2S-G18-B-K2	G1/8	M5	-	M20x1.5
VABS-S4-2S-N18-B-K2	1/8NPT	10-32 UNF-2B	-	1/2NPT

Note: This product conforms with the ISO 1179-1 standard and the ISO 228-1 standard.

Note: All metric products can be used within inch tubing systems via hybrid fittings (→ Overview on page 88)

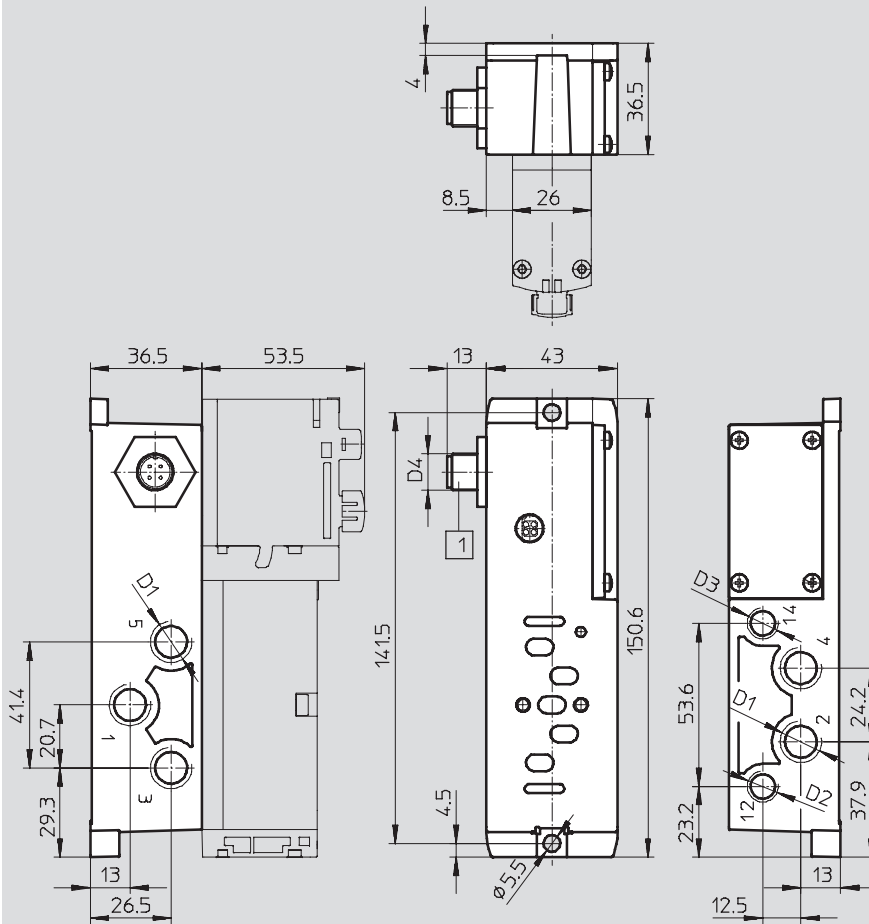
Valve manifolds type 44 VTSA, ISO 15407-2/ISO 5599-2

Technical data

Dimensions

Download CAD Data → www.festo.com/us/cad

Individual sub-base with M12 plug, width 26 mm



1 Plug to EN 61076-2-101

Type	D1	D2	D3	D4
External pilot air supply, M12 plug				
VABS-S4-1S-G14-R3	G1/4	G1/8	G1/8	M12
Internal pilot air supply, M12 plug				
VABS-S4-1S-G14-B-R3	G1/4	G1/8	-	M12

Note: This product conforms with the ISO 1179-1 standard and the ISO 228-1 standard.

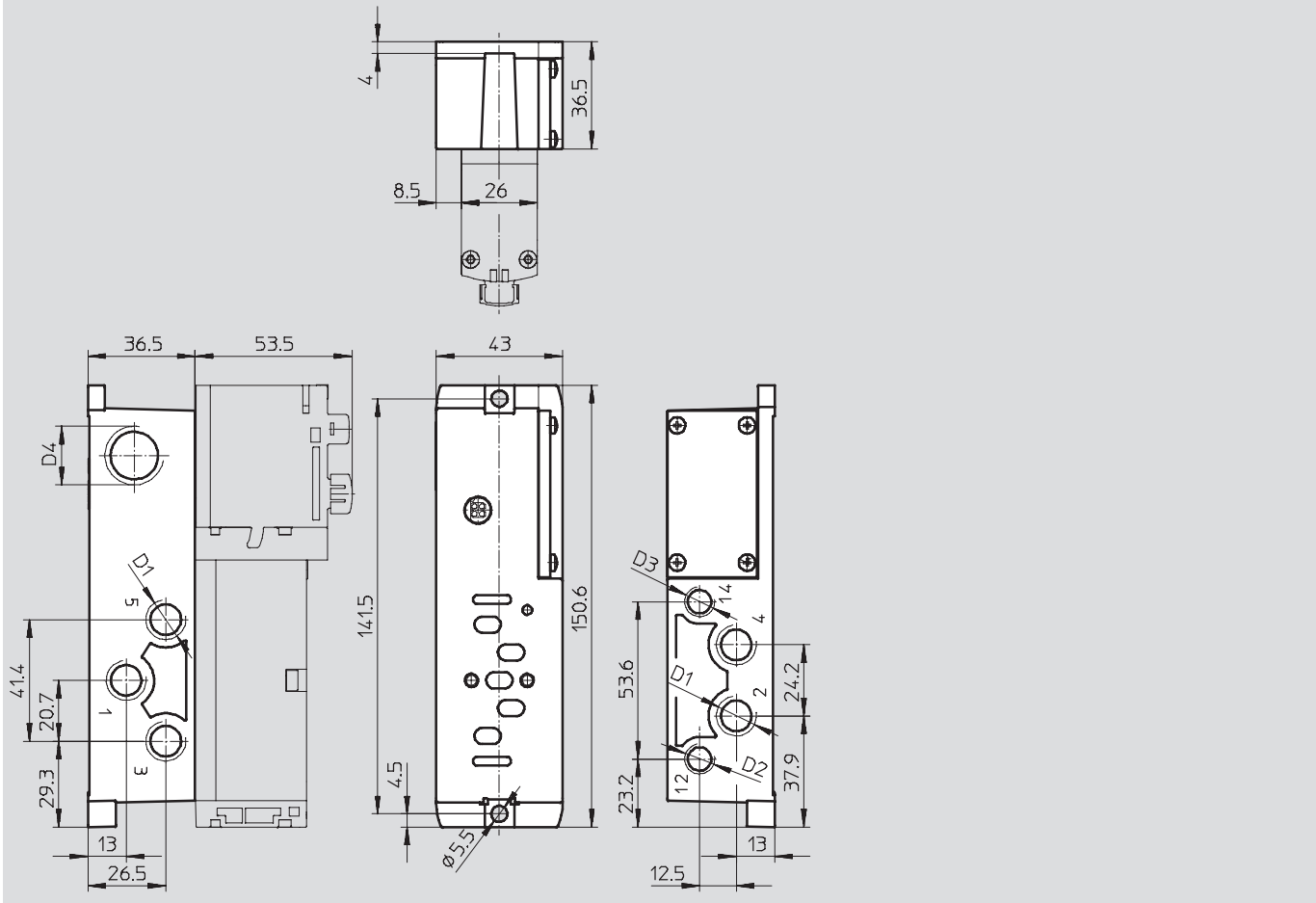
Note: All metric products can be used within inch tubing systems via hybrid fittings (→ Overview on page 88)

Valve manifolds type 44 VTSA, ISO 15407-2/ISO 5599-2

Technical data

Dimensions Download CAD Data → www.festo.com/us/cad

Individual sub-base with cable terminals, width 26 mm



Type	D1	D2	D3	D4
External pilot air supply, cable terminals				
VABS-S4-1S-G14-K2	G1/4	G1/8	G1/8	M20x1.5
VABS-S4-1S-N14-K2	1/4NPT	1/8NPT	1/8NPT	1/2NPT
Internal pilot air supply, cable terminals				
VABS-S4-1S-G14-B-K2	G1/4	G1/8	-	M20x1.5
VABS-S4-1S-N14-B-K2	1/4NPT	1/8NPT	-	1/2NPT

Note: This product conforms with the ISO 1179-1 standard and the ISO 228-1 standard.

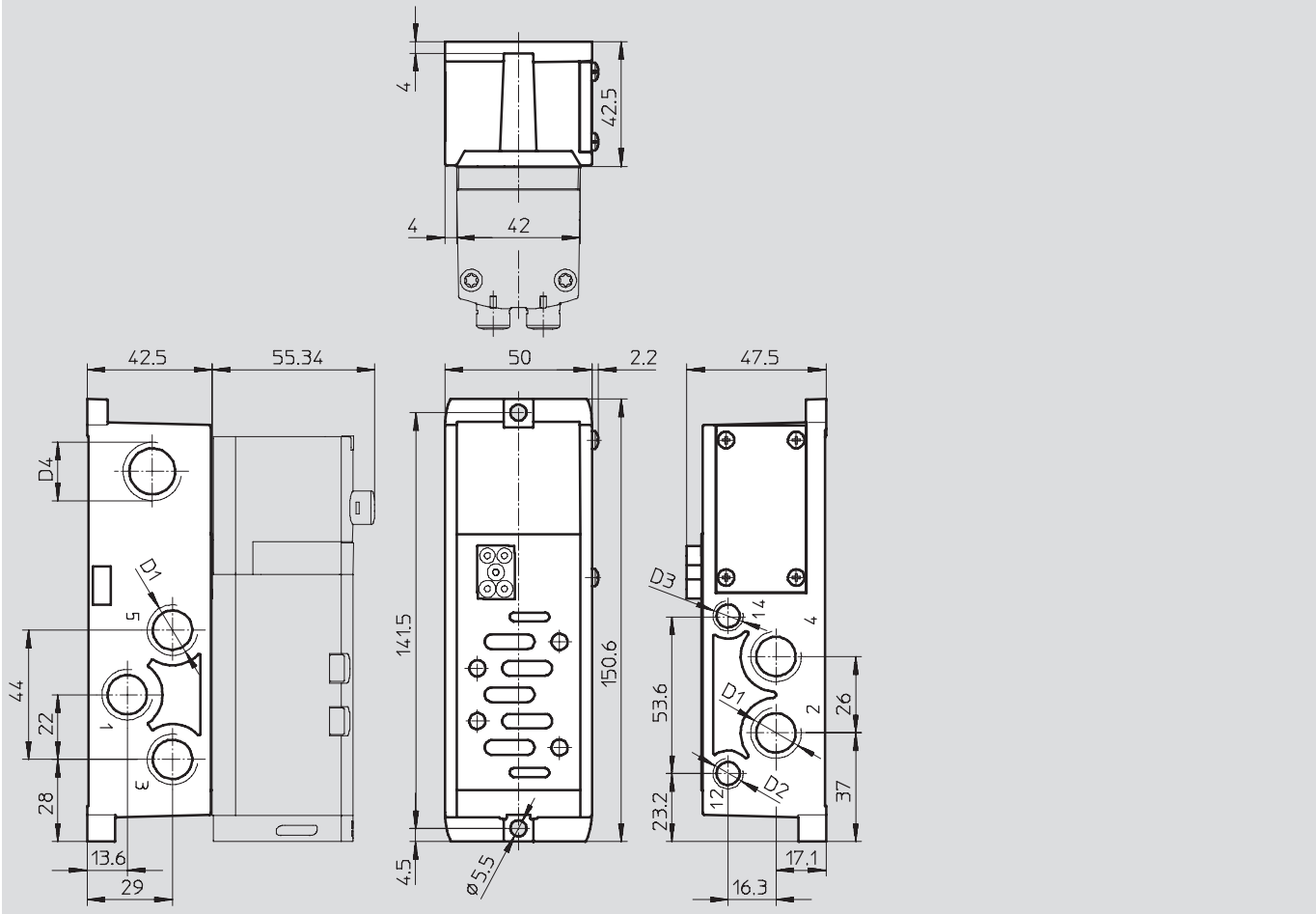
Note: All metric products can be used within inch tubing systems via hybrid fittings (→ Overview on page 88)

Valve manifolds type 44 VTSA, ISO 15407-2/ISO 5599-2

Technical data

Dimensions Download CAD Data → www.festo.com/us/cad

Individual sub-base with spring-loaded terminal (C1) or for self-assembly (K1), width 42 mm



Type	D1	D2	D3	D4
External pilot air supply				
VABS-S2-1S-G38-K1(C1)	G3/8	G1/8	G1/8	M20x1.5
VABS-S2-1S-N38-K1(C1)	3/8NPT	1/8NPT	1/8NPT	1/2NPT
Internal pilot air supply				
VABS-S2-1S-G14-B-K1(C1)	G3/8	G1/8	-	M20x1.5
VABS-S2-1S-N14-B-K1(C1)	3/8NPT	1/8NPT	-	1/2NPT

Note: This product conforms with the ISO 1179-1 standard and the ISO 228-1 standard.

Note: All metric products can be used within inch tubing systems via hybrid fittings (→ Overview on page 88)

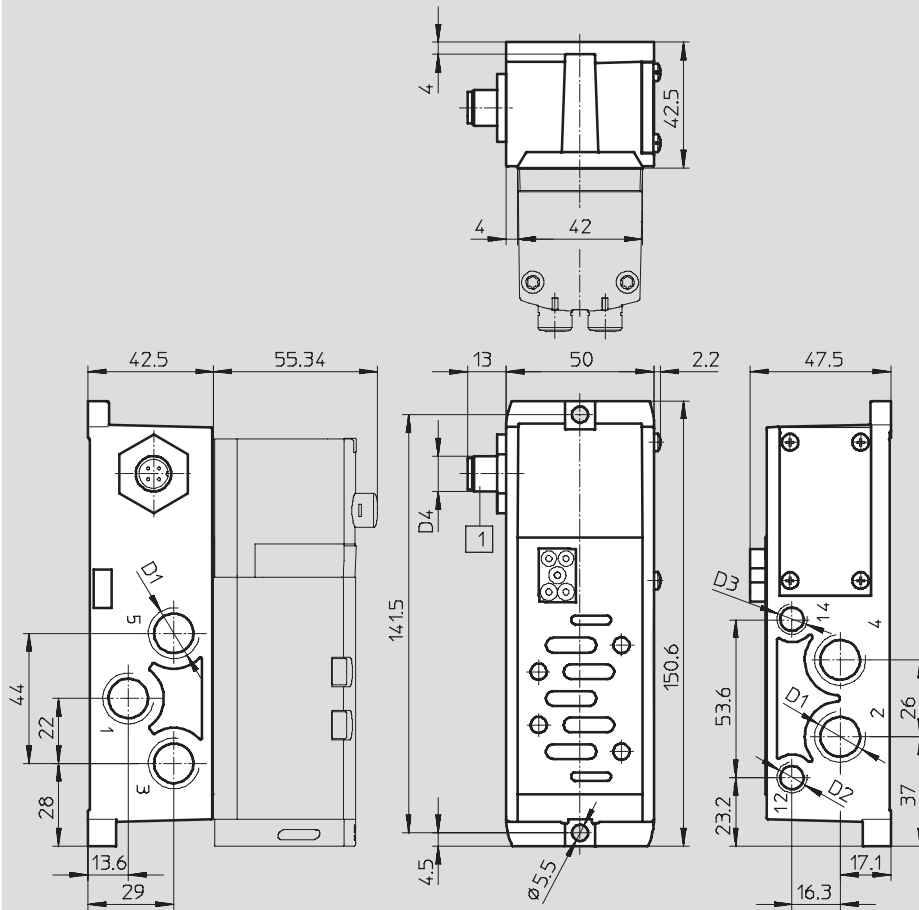
Valve manifolds type 44 VTSA, ISO 15407-2/ISO 5599-2

Technical data

Dimensions

Download CAD Data → www.festo.com/us/cad

Individual sub-base with M12 plug, width 42 mm



1 Plug to EN 61076-2-101

Type	D1	D2	D3	D4
External pilot air supply				
VABS-S2-1S-G38-R3	G3/8	G1/8	G1/8	M12
Internal pilot air supply				
VABS-S2-1S-G14-B-R3	G3/8	G1/8	-	M12

Note: This product conforms with the ISO 1179-1 standard and the ISO 228-1 standard.

Note: All metric products can be used within inch tubing systems via hybrid fittings (→ Overview on page 88)

Valve manifolds type 44 VTSA, ISO 15407-2/ISO 5599-2

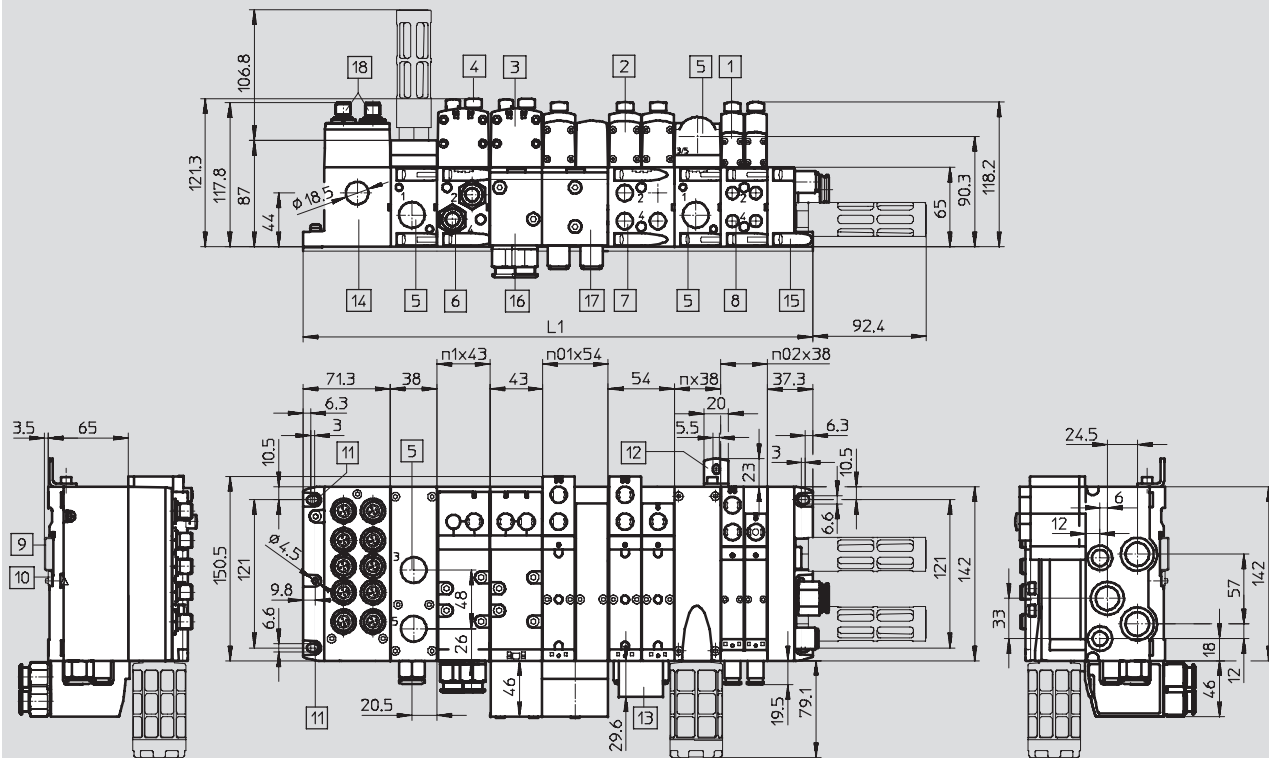


Technical data

Dimensions

Download CAD Data → www.festo.com/us/cad

Valve manifold with individual electrical connection



- | | | | |
|--|--|---|---|
| 1 Solenoid valve 18 mm | 7 Metric thread G $\frac{1}{4}$ or $\frac{1}{4}$ NPT | 13 Inscription label holder | n02 Number of manifold sub-bases 18 mm |
| 2 Solenoid valve 26 mm | 8 Metric thread G $\frac{3}{8}$ or $\frac{1}{8}$ NPT | 14 Individual connection | n01 Number of manifold sub-bases 26 mm |
| 3 Solenoid valve 42 mm | 9 H-rail | 15 End plate | n1 Number of manifold sub-bases 42 mm |
| 4 Cover cap/manual override | 10 H-rail mounting | 16 90° connection plate width 42 mm, G $\frac{3}{8}$ | n Number of supply plates (only with end plate with pilot air selector) |
| 5 Metric thread G $\frac{1}{2}$ or $\frac{1}{2}$ NPT | 11 Mounting hole | 17 90° connection plate width 18 mm, G $\frac{1}{8}$ width 26 mm, G $\frac{1}{4}$ | |
| 6 Metric thread G $\frac{3}{8}$ or $\frac{3}{8}$ NPT | 12 Additional mounting bracket | 18 M12 plug, 5-pin (6-way or 10-way) | |

Width	L1
18 mm	$71.3 + n02 \times 38 + n \times 38 + 37.3$
26 mm	$71.3 + n01 \times 54 + n \times 38 + 37.3$
42 mm	$71.3 + n1 \times 43 + n \times 38 + 37.3$
Mixture of 18 mm, 26 mm and 42 mm	$71.3 + n02 \times 38 + n01 \times 54 + n1 \times 43 + n \times 38 + 37.3$

Note: This product conforms with the ISO 1179-1 standard and the ISO 228-1 standard.

Note: All metric products can be used within inch tubing systems via hybrid fittings (→ Overview on page 88)

Valve manifolds type 44 VTSA, ISO 15407-2/ISO 5599-2

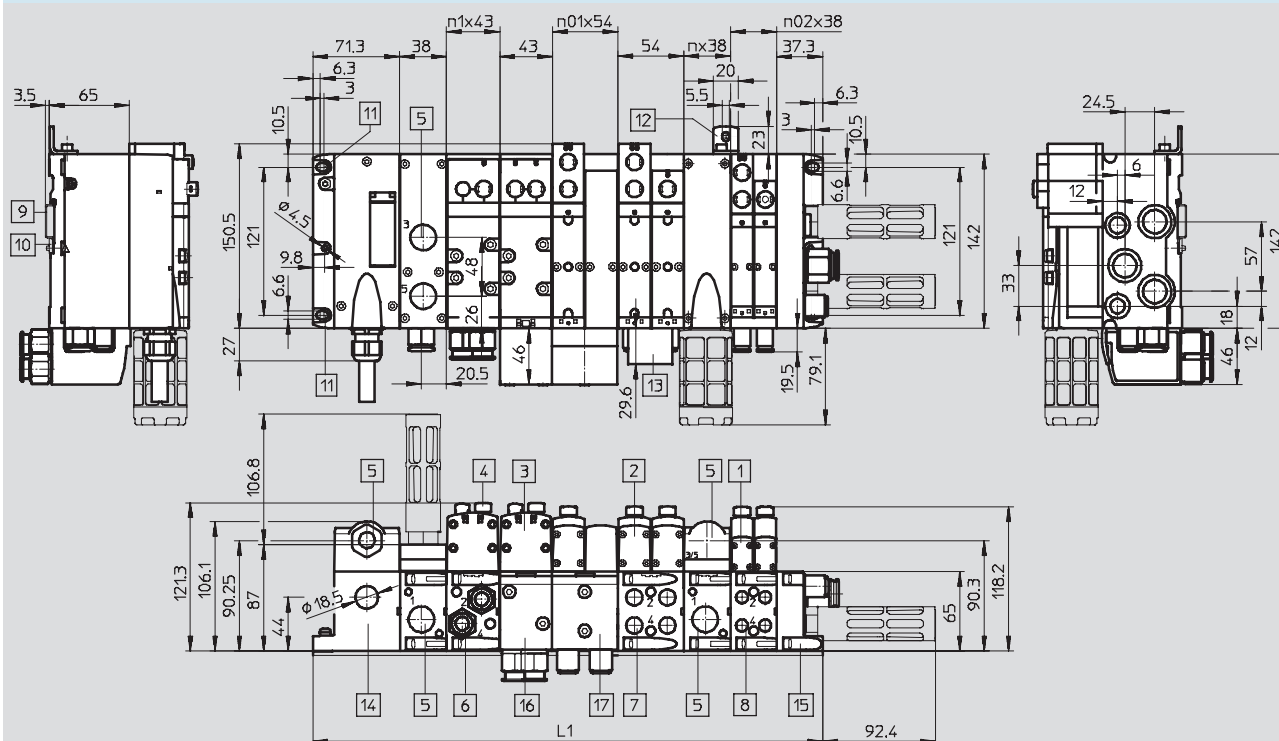
Technical data



Dimensions

Download CAD Data → www.festo.com/us/cad

Valve manifold with multi-pin plug connection

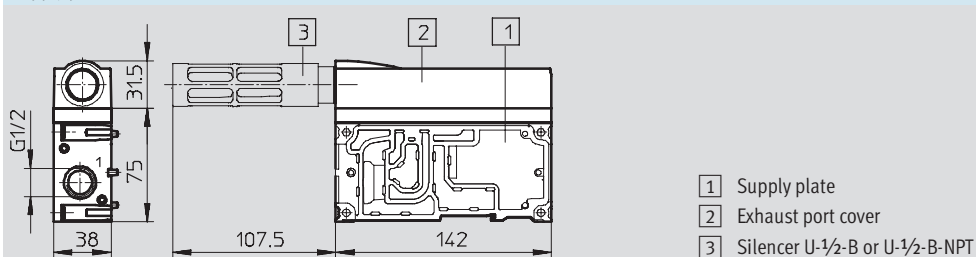


- | | | | |
|--|--|---|--|
| 1 Solenoid valve 18 mm | 7 Metric thread G $\frac{1}{4}$ or $\frac{1}{4}$ NPT | 12 Additional mounting bracket | n02 Number of manifold sub-bases 18 mm |
| 2 Solenoid valve 26 mm | 8 Metric thread G $\frac{1}{8}$ or $\frac{1}{8}$ NPT | 13 Inscription label holder | n01 Number of manifold sub-bases 26 mm |
| 3 Solenoid valve 42 mm | 9 H-rail | 14 Multi-pin plug connection | n1 Number of manifold sub-bases 42 mm |
| 4 Cover cap/manual override | 10 H-rail mounting | 15 End plate | n Number of supply plates |
| 5 Metric thread G $\frac{1}{2}$ or $\frac{1}{2}$ NPT | 11 Mounting hole | 16 90° connection plate width 42 mm, G $\frac{3}{8}$ | |
| 6 Metric thread G $\frac{3}{8}$ or $\frac{3}{8}$ NPT | | 17 90° connection plate width 18 mm, G $\frac{1}{8}$; width 26 mm, G $\frac{1}{4}$ | |

Width	L1
18 mm	$71.3 + n02 \times 38 + n \times 38 + 37.3$
26 mm	$71.3 + n01 \times 54 + n \times 38 + 37.3$
42 mm	$71.3 + n1 \times 43 + n \times 38 + 37.3$
Mixture of 18 mm, 26 mm and 42 mm	$71.3 + n02 \times 38 + n01 \times 54 + n1 \times 43 + n \times 38 + 37.3$

Note: This product conforms with the ISO 1179-1 standard and the ISO 228-1 standard.

Supply plate with silencer



Note: All metric products can be used within inch tubing systems via hybrid fittings (→ Overview on page 88)

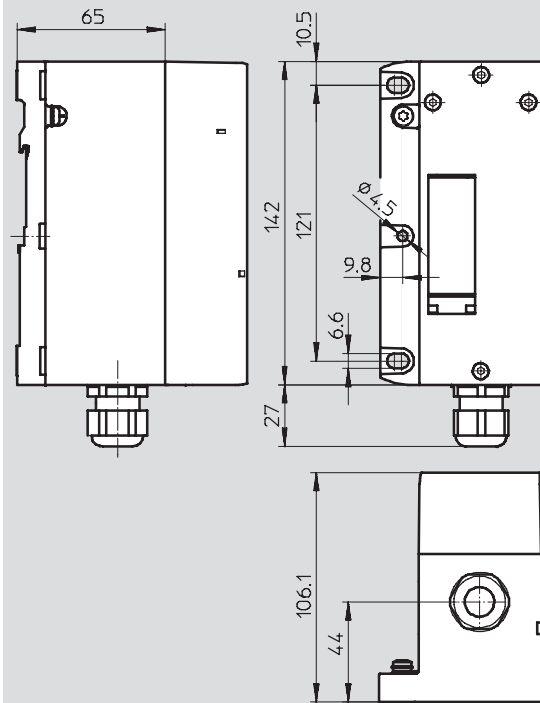
Valve manifolds type 44 VTSA, ISO 15407-2/ISO 5599-2

Technical data

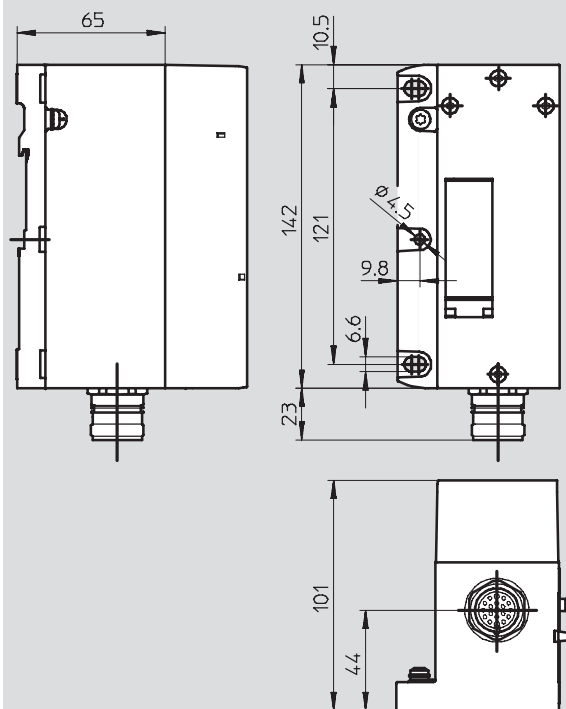
Dimensions

Download CAD Data → www.festo.com/us/cad

Multi-pin, terminal strip (Cage Clamp®)



Multi-pin, round plug connector



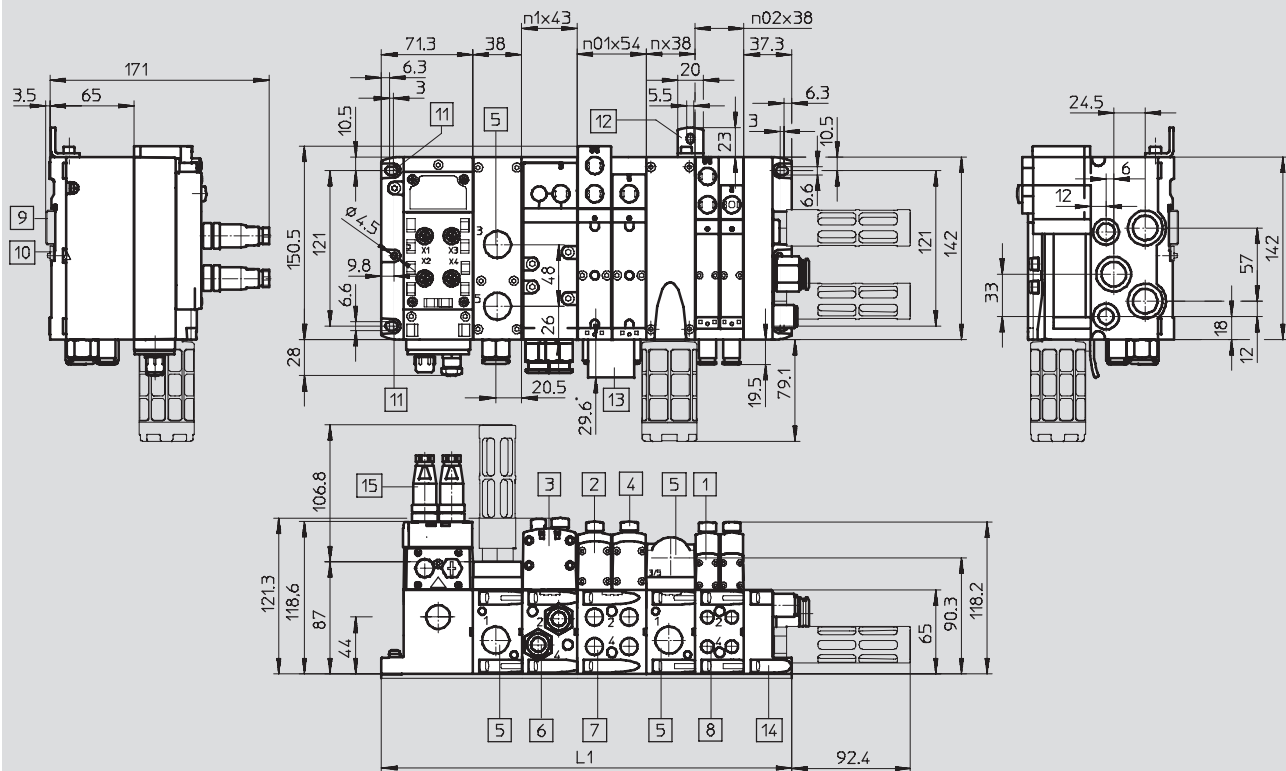
Valve manifolds type 44 VTSA, ISO 15407-2/ISO 5599-2

Technical data

Dimensions

Download CAD Data → www.festo.com/us/cad

Valve manifold with AS-interface connection



- | | | | |
|--|--|--------------------------------|---|
| 1 Solenoid valve 18 mm | 7 Metric thread G $\frac{1}{4}$ or $\frac{1}{4}$ NPT | 12 Additional mounting bracket | n02 Number of manifold sub-bases
18 mm |
| 2 Solenoid valve 26 mm | 8 Metric thread G $\frac{1}{8}$ or $\frac{1}{8}$ NPT | 13 Inscription label holder | n01 Number of manifold sub-bases
26 mm |
| 3 Solenoid valve 43 mm | 9 H-rail | 14 End plate | n1 Number of manifold sub-bases
42 mm |
| 4 Cover cap/manual override | 10 H-rail mounting | 15 Plug M12 | n Number of supply plates |
| 5 Metric thread G $\frac{1}{2}$ or $\frac{1}{2}$ NPT | 11 Mounting hole | | |
| 6 Metric thread G $\frac{3}{8}$ or $\frac{3}{8}$ NPT | | | |

Width	L1
18 mm	$71.3 + n02 \times 38 + n \times 38 + 37.3$
26 mm	$71.3 + n01 \times 54 + n \times 38 + 37.3$
42 mm	$71.3 + n1 \times 43 + n \times 38 + 37.3$
Mixture of 18 mm, 26 mm and 42 mm	$71.3 + n02 \times 38 + n01 \times 54 + n1 \times 43 + n \times 38 + 37.3$

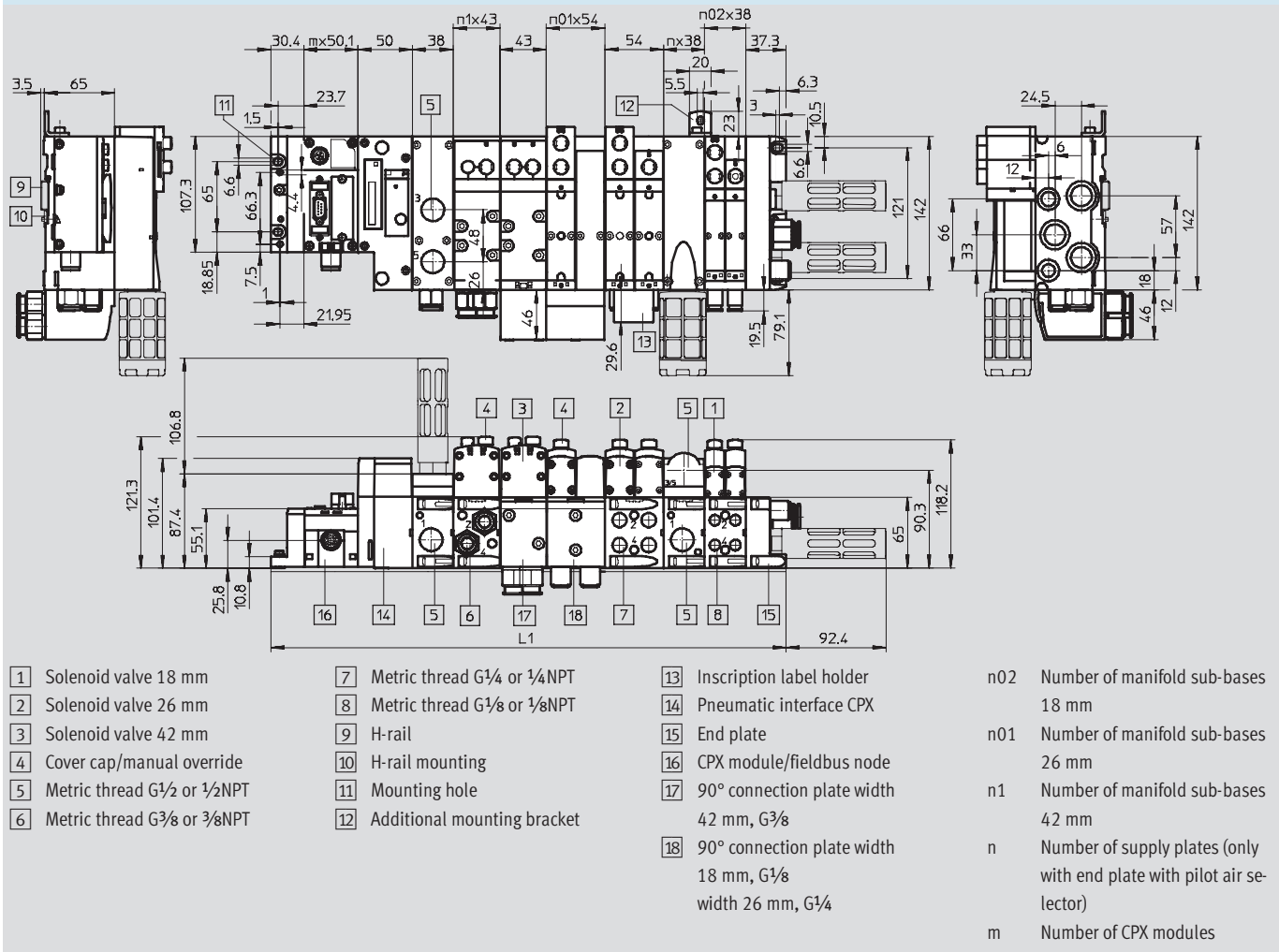
Note: All metric products can be used within inch tubing systems via hybrid fittings (→ Overview on page 88)

Valve manifolds type 44 VTSA, ISO 15407-2/ISO 5599-2

Technical data

Dimensions Download CAD Data → www.festo.com/us/cad

Valve manifold with fieldbus connection



Width	L1
18 mm	$30.4 + m \times 50.1 + 50 + n02 \times 38 + n \times 38 + 37.3$
26 mm	$30.4 + m \times 50.1 + 50 + n01 \times 54 + n \times 38 + 37.3$
42 mm	$30.4 + m \times 50.1 + 50 + n1 \times 43 + n \times 38 + 37.3$
Mixture of 18 mm, 26 mm and 42 mm	$30.4 + m \times 50.1 + 50 + n02 \times 38 + n01 \times 54 + n1 \times 43 + n \times 38 + 37.3$

Note: This product conforms with the ISO 1179-1 standard and the ISO 228-1 standard.

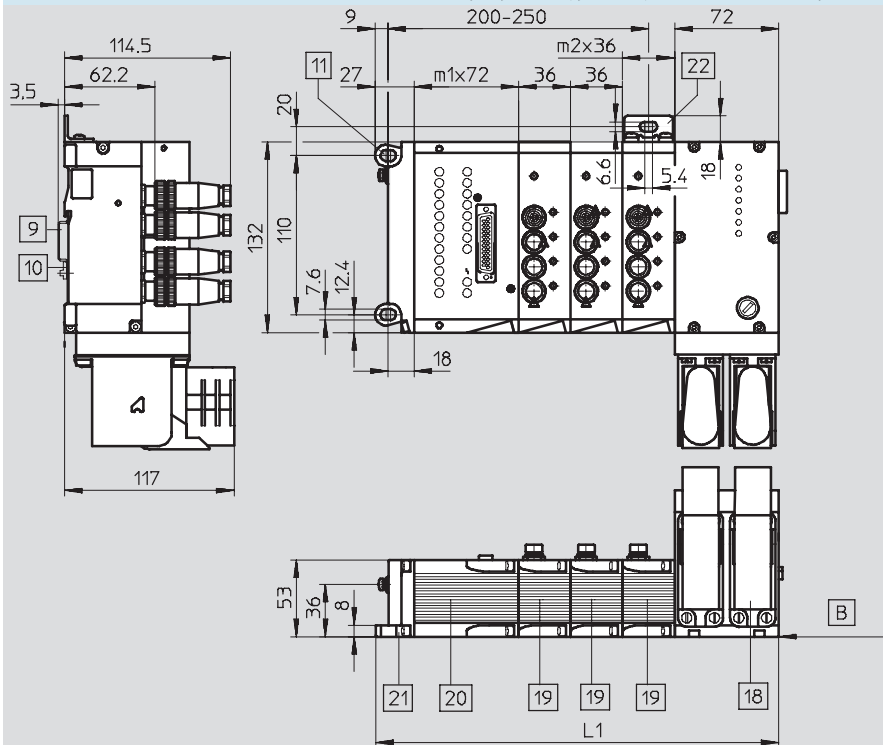
Note: All metric products can be used within inch tubing systems via hybrid fittings (→ Overview on page 88)

Valve manifolds type 44 VTSA, ISO 15407-2/ISO 5599-2

Technical data

Dimensions Download CAD Data → www.festo.com/us/cad

Valve manifold with fieldbus connection via the “Electrical peripherals type 03” system – Electrical components



- | | | | |
|--------------------|------------------------------------|--------------------------------|------------------------------------|
| 9 H-rail | 18 Bus node IFB21-03 | 21 End plate | m1 Number of I/O modules VIEA-03 |
| 10 H-rail mounting | 19 I/O module VIGA-03-F, VIGE-03-F | 22 Additional mounting bracket | m2 Number of I/O modules VIGE/VIGA |
| 11 Mounting hole | 20 I/O module VIEA-03 | | |

L1
 $27 + m1 \times 72 + m2 \times 36 + 72$

Note

The electrical peripherals type 03 can be extended by up to 12 I/O modules. The following modules from the electrical peripherals type 03 are available:

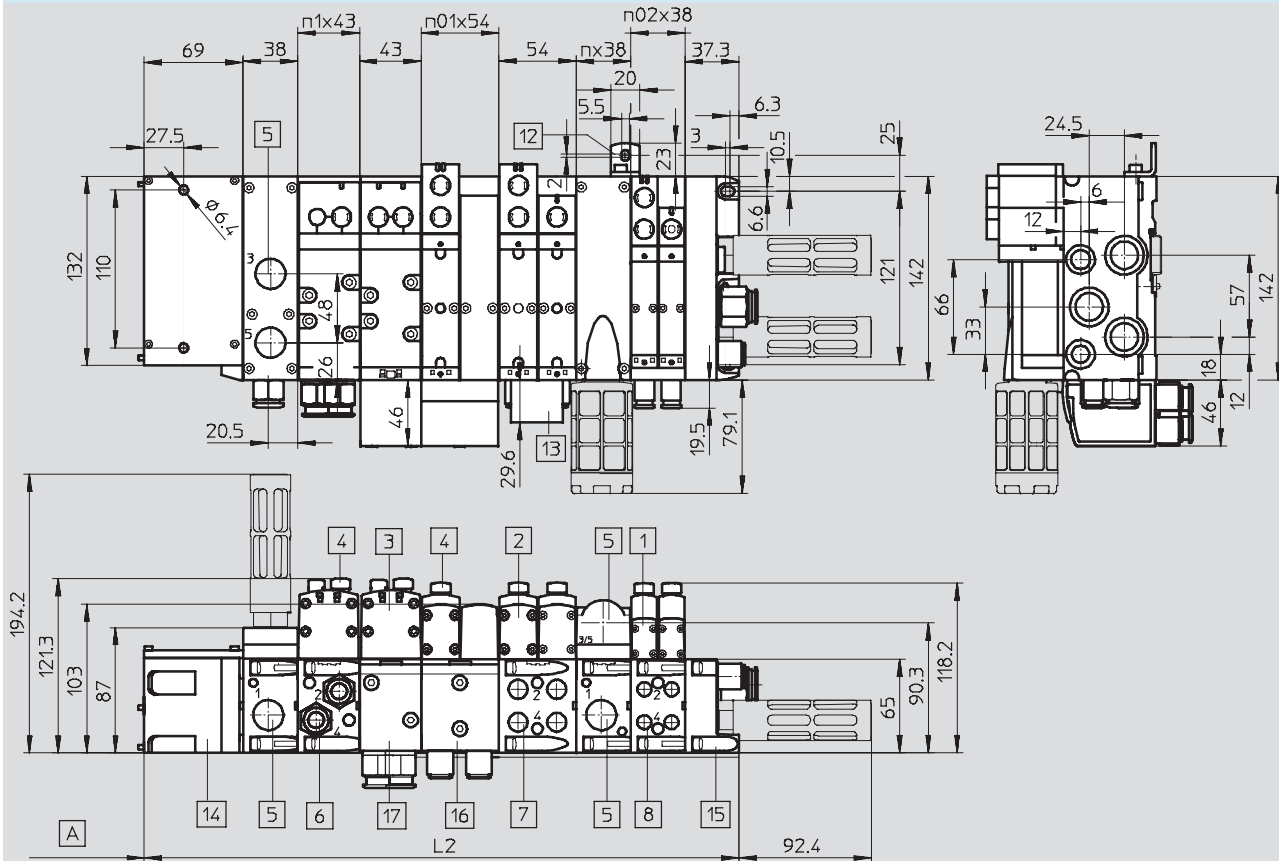
- Input modules:
 - VIGE-03-FB-8-5POL
 - VIGE-03-FB-8-5POL-S
- Output module:
 - VIGA-03-FB-4-5POL
- Input/output module:
 - VIEA-03-FB-12E-8A-SUBD

Valve manifolds type 44 VTSA, ISO 15407-2/ISO 5599-2

Technical data

Dimensions Download CAD Data → www.festo.com/us/cad

Valve manifold with fieldbus connection via the “Electrical peripherals type 03” system – Pneumatic components



- | | | | |
|--|--|---|---|
| 1 Solenoid valve 18 mm | 7 Metric thread G $\frac{1}{4}$ or $\frac{1}{4}$ NPT | 13 Inscription label holder | n02 Number of manifold sub-bases 18 mm |
| 2 Solenoid valve 26 mm | 8 Metric thread G $\frac{3}{8}$ or $\frac{1}{8}$ NPT | 14 Pneumatic interface | n01 Number of manifold sub-bases 26 mm |
| 3 Solenoid valve 42 mm | 9 H-rail | 15 End plate | n1 Number of manifold sub-bases 42 mm |
| 4 Cover cap/manual override | 10 H-rail mounting | 16 CPX module/fieldbus node | n Number of supply plates (only with end plate with pilot air selector) |
| 5 Metric thread G $\frac{1}{2}$ or $\frac{1}{2}$ NPT | 11 Mounting hole | 17 90° connection plate width 42 mm, G $\frac{3}{8}$ | m Number of CPX modules |
| 6 Metric thread G $\frac{3}{8}$ or $\frac{3}{8}$ NPT | 12 Additional mounting bracket | 18 90° connection plate width 18 mm, G $\frac{1}{8}$ width 26 mm, G $\frac{1}{4}$ | |

Width	L1
18 mm	$30.4 + m \times 50.1 + 50 + n02 \times 38 + n \times 38 + 37.3$
26 mm	$30.4 + m \times 50.1 + 50 + n01 \times 54 + n \times 38 + 37.3$
42 mm	$30.4 + m \times 50.1 + 50 + n1 \times 43 + n \times 38 + 37.3$
Mixture of 18 mm, 26 mm and 42 mm	$30.4 + m \times 50.1 + 50 + n02 \times 38 + n01 \times 54 + n1 \times 43 + n \times 38 + 37.3$

Note: All metric products can be used within inch tubing systems via hybrid fittings (→ Overview on page 88)

Valve manifolds type 44 VTSA, ISO 15407-2/ISO 5599-2

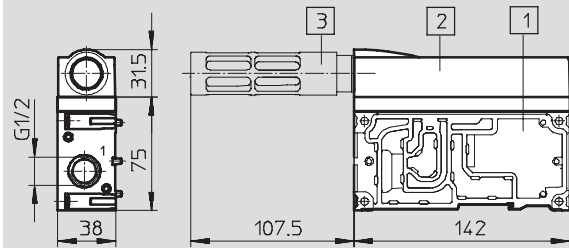


Technical data

Dimensions

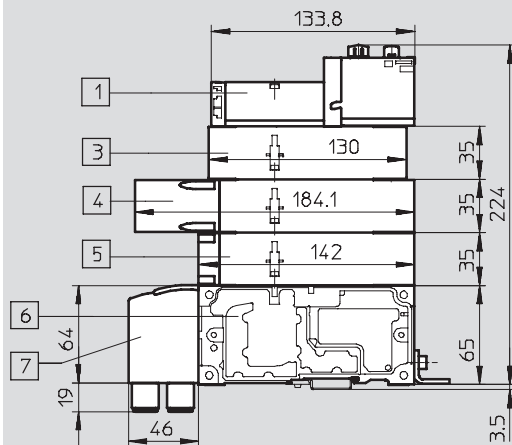
Download CAD Data → www.festo.com/us/cad

Supply plate with silencer

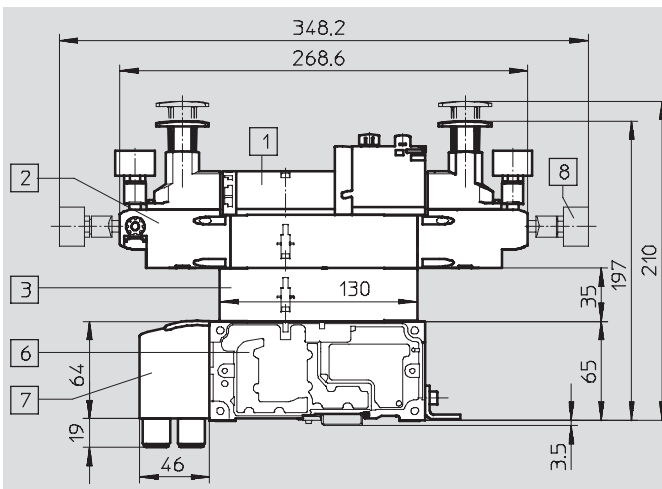


- 1 Supply plate
- 2 Exhaust port cover
- 3 Silencer U-1/2-B or U-1/2-B-NPT

Vertical stacking components, width 18 mm



- 1 Solenoid valve with two solenoid coils, width 18 mm
- 3 Flow control plate
- 4 Vertical pressure shut-off plate
- 5 Vertical supply plate
- 6 Manifold sub-base
- 7 90° connection plate



- 1 Solenoid valve with two solenoid coils, width 18 mm
- 2 Pressure regulator plate
- 3 Flow control plate
- 4 Vertical pressure shut-off plate
- 6 Manifold sub-base
- 7 90° connection plate
- 8 Pressure gauge, freely positionable

Note: All metric products can be used within inch tubing systems via hybrid fittings (→ Overview on page 88)

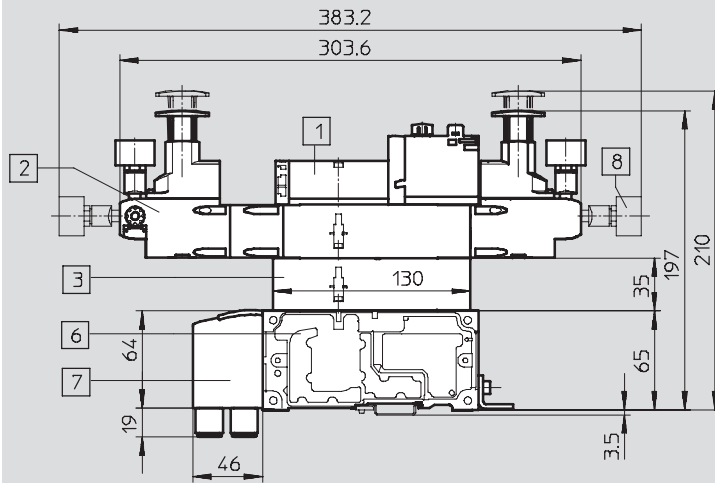
Valve manifolds type 44 VTSA, ISO 15407-2/ISO 5599-2

Technical data

Dimensions

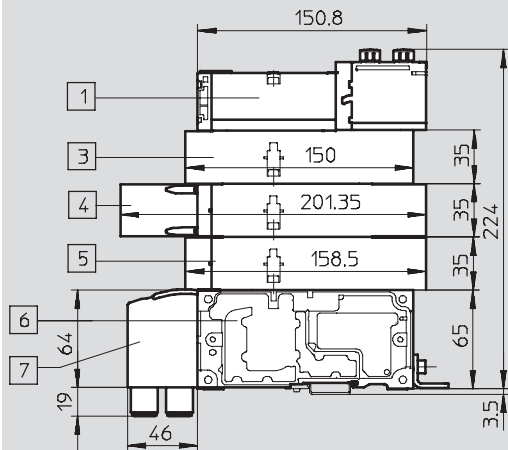
Download CAD Data → www.festo.com/us/cad

Vertical stacking components, width 18 mm, with the pressure regulator plate also suitable for symmetrical valves

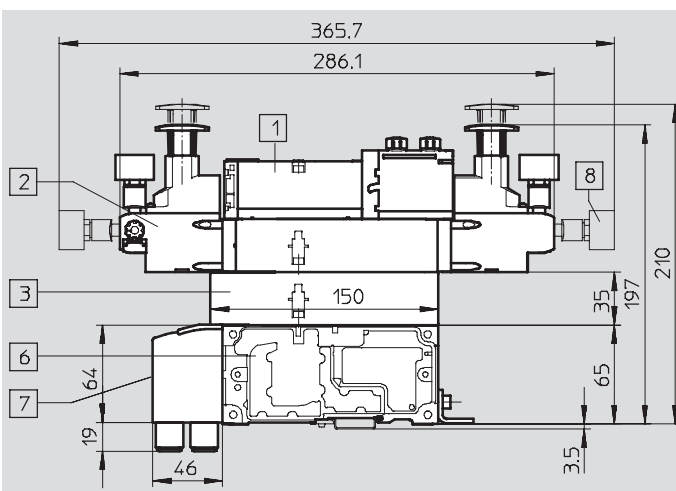


- 1 Solenoid valve with two solenoid coils, width 18 mm
- 2 Pressure regulator plate
- 3 Flow control plate
- 6 Manifold sub-base
- 7 90° connection plate
- 8 Pressure gauge, freely positionable

Vertical stacking components, width 26 mm



- 1 Solenoid valve with two solenoid coils, width 26 mm
- 3 Flow control plate
- 4 Vertical pressure shut-off plate
- 5 Vertical supply plate
- 6 Manifold sub-base
- 7 90° connection plate



- 1 Solenoid valve with two solenoid coils, width 26 mm
- 2 Pressure regulator plate
- 3 Flow control plate
- 4 Vertical pressure shut-off plate
- 6 Manifold sub-base
- 7 90° connection plate
- 8 Pressure gauge, freely positionable

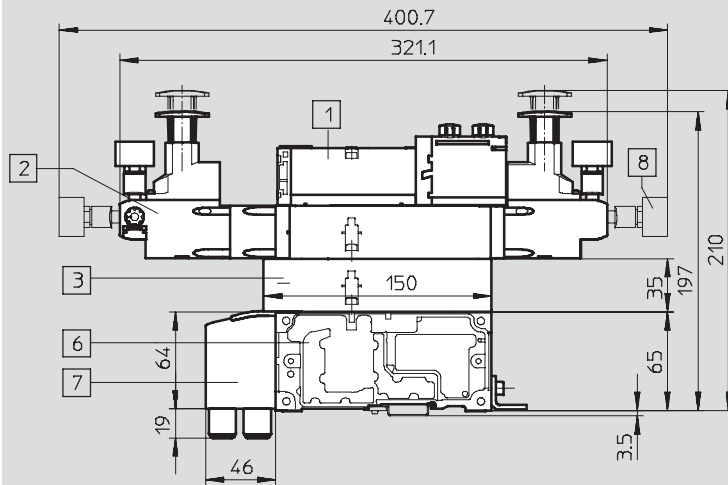
Valve manifolds type 44 VTSA, ISO 15407-2/ISO 5599-2

Technical data

Dimensions

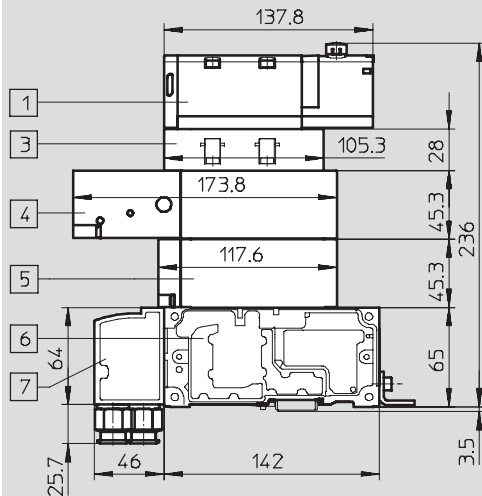
Download CAD Data → www.festo.com/us/cad

Vertical stacking components, width 26 mm, with the pressure regulator plate also suitable for symmetrical valves



- 1 Solenoid valve with two solenoid coils, width 26 mm
- 2 Pressure regulator plate
- 3 Flow control plate
- 6 Manifold sub-base
- 7 90° connection plate
- 8 Pressure gauge, freely positionable

Vertical stacking components, width 42 mm

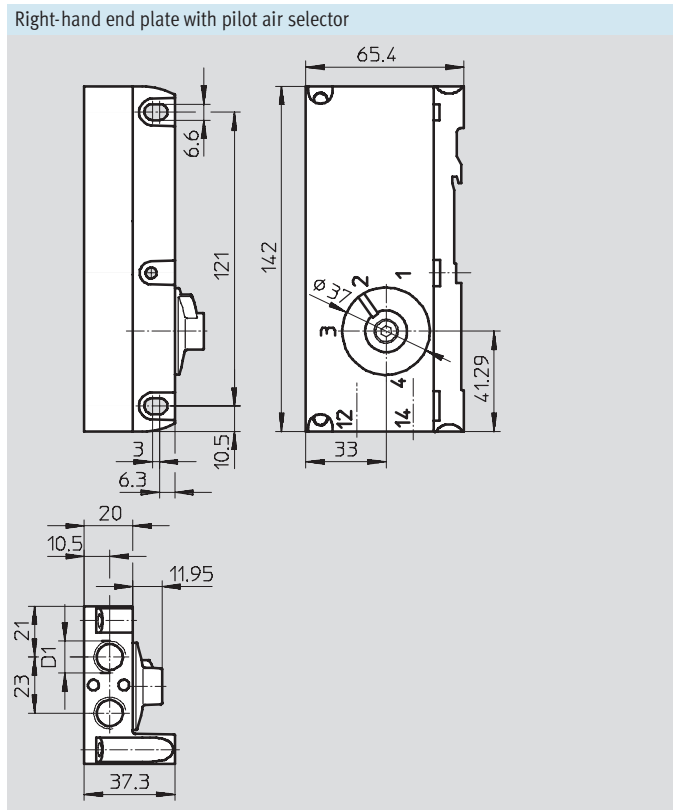
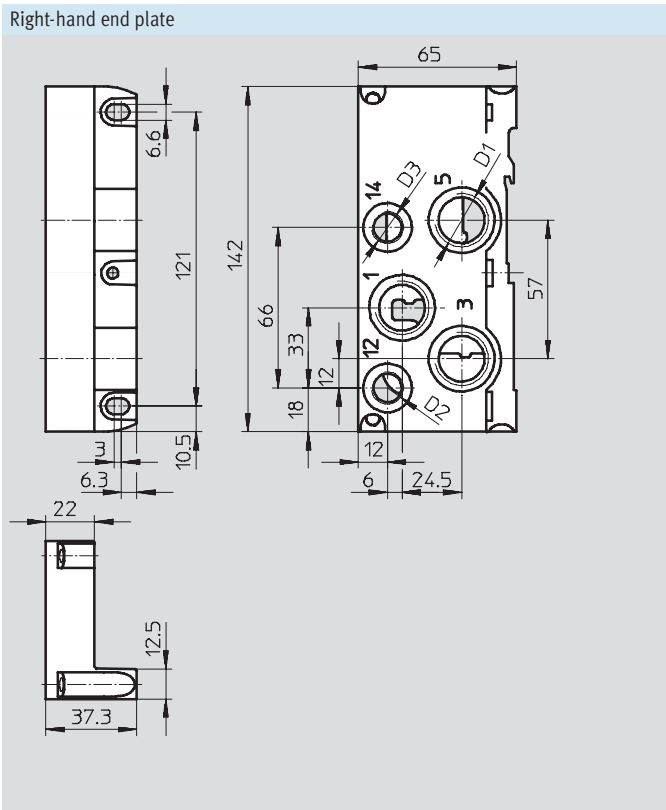
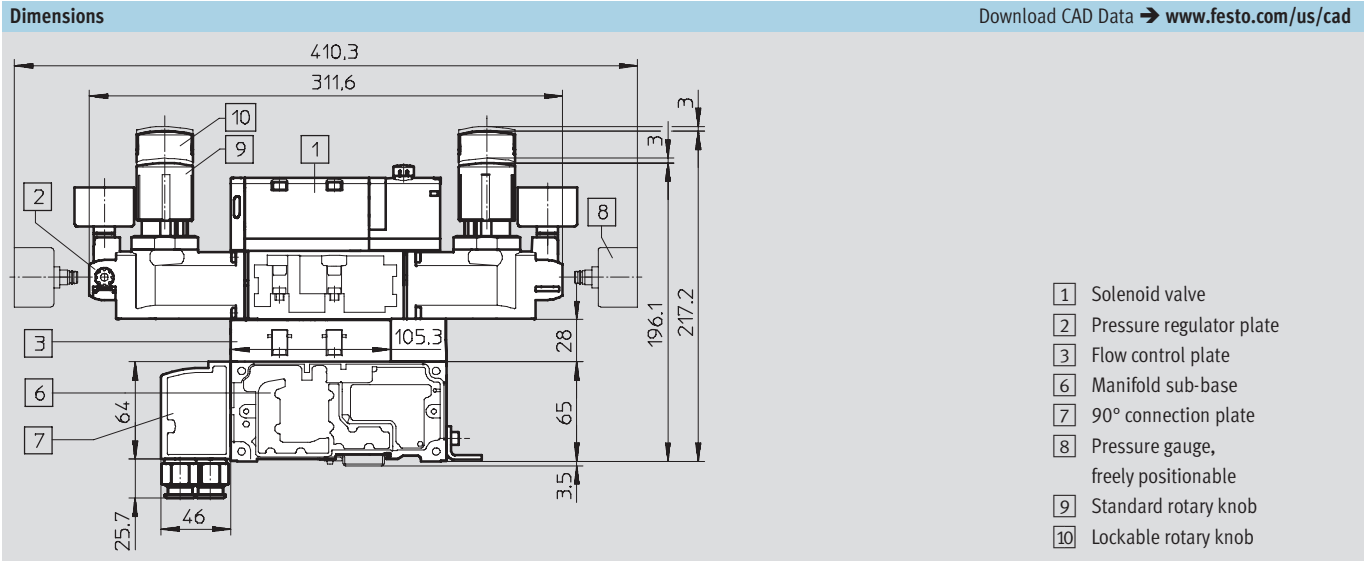


- 1 Solenoid valve
- 3 Flow control plate
- 4 Vertical pressure shut-off plate
- 5 Vertical supply plate
- 6 Manifold sub-base
- 7 90° connection plate

Valve manifolds type 44 VTSA, ISO 15407-2/ISO 5599-2



Technical data



Type	D1	D2	D3
VABE-S6-1R-G12	G $\frac{1}{2}$	G $\frac{1}{4}$	G $\frac{1}{4}$
VABE-S6-1RZ-G12			
VABE-S6-1R-N12	$\frac{1}{2}$ NPT	$\frac{1}{4}$ NPT	$\frac{1}{4}$ NPT
VABE-S6-1RZ-N12			

Type	D1
VABE-S6-1RZ-G-B1	G $\frac{1}{4}$
VABE-S6-1RZ-N-B1	$\frac{1}{4}$ NPT

Note: This product conforms with the ISO 1179-1 standard and the ISO 228-1 standard.

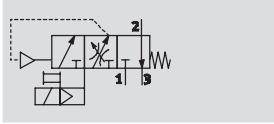
Note: This product conforms with the ISO 1179-1 standard and the ISO 228-1 standard.

Note: All metric products can be used within inch tubing systems via hybrid fittings (→ Overview on page 88)

Valve manifolds type 44 VTSA, ISO 15407-2/ISO 5599-2

Technical data – Soft-start valve

Function



Flow rate

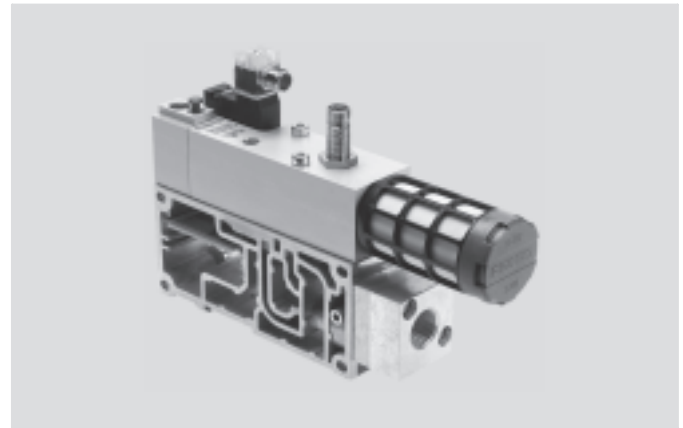
Pressurisation: 3,000 l/min
Exhaust: 3,300 l/min

Temperature range

–5 ... +50 °C

Operating pressure

2 ... 10 bar



Application

Function

The purpose of the soft-start valve is to slowly and reliably build up the supply pressure in duct 1 of the valve manifold or to quickly exhaust it.

Switch-on takes place in two stages:

- First the working pressure provided for duct 1 gradually increases (the speed can be adjusted using a flow control screw).

- Once the working pressure in duct 1 reaches a previously set value, the soft-start valve switches the full operating pressure at duct 1 of the valve manifold.

The switching point for full operating pressure is set to 4 bar at the factory,

but can be changed using an adjusting screw.

The full operating pressure is applied to duct 14 (pilot air) at all times. This pressure causes the valves on the valve manifold to immediately move to the required switching position.

When the valve is not switched, duct 1 of the valve manifold is exhausted via the soft-start valve's exhaust port. A self-resetting manual override is available for maintenance and service purposes.

Diagnostics

The piston position of the soft-start valve can be monitored using a sensor. This sensor registers whether the valve has switched and thus whether the valve

manifold is being supplied with air. Pressure sensing via a pressure gauge (optional) is also possible. The soft-start valve can alternatively be

ordered with a sensor (retrofitting of a sensor is very complicated due to the necessary sensor calibration).

Connecting cables with integrated LED display are provided for displaying the switching status/signal status.

Pilot air supply

The valve manifold can either be supplied with internal pilot air via the soft-start valve or with internal or

external pilot air via the various end plate variants. The type of pilot air supply is determined by the seal of the soft-

start valve. The scope of delivery of the soft-start valve includes both the seal for internal

pilot air supply and the seal for external pilot air supply.

Restrictions

Compressed air supply

There must be no other elements supplying compressed air in the pressure zone in which the soft-start valve is being operated.

Exhaust air

Exhaust air cannot be expelled via the soft-start valve. If it is being operated in a pressure zone with duct 3/5 separated, an exhaust plate is required.

Pilot air supply

If internal pilot air supply (duct 14) via the soft-start valve is chosen, there must be no other pilot air supply within the valve manifold.

Reverse operation

The soft-start valve is not approved for reverse operation.

Valve manifolds type 44 VTSA, ISO 15407-2/ISO 5599-2

Technical data – Soft-start valve

General technical data	
Constructional design	Piston spool valve
Actuation type	Electrical
Sealing principle	Soft
Type of mounting	On sub-base
Mounting position	Any
Valve function	Soft-start function
Manual override	Non-detenting
Reset method	Mechanical spring
Type of control	Pilot-actuated
Pilot air supply	Internal, external
Direction of flow	Non-reversible

Standard nominal flow rate q _N [l/min]	
Pressurisation	3,000
Exhaust	3,300

Electrical data		
Type	VABF-S6-1-P5A4-...-2A	VABF-S6-1-P5A4-...-1
Electrical connection	Plug type C to DIN EN 175301-803, square design	
Nominal operating voltage [V]	110 AC	24 DC
Operating voltage range [V]	110 AC ±10%	24 DC ±10%
Coil characteristics	110 V AC: 50/60 Hz, 3VA pull 110 V AC: 50/60 Hz, 2.4VA hold	24 V DC: 2.5 W
Protection class to EN 60529	IP65	

Operating and environmental conditions		
Type	VABF-S6-1-P5A4-...-2A	VABF-S6-1-P5A4-...-1
Operating pressure [bar]	2 ... 10	
Switchover pressure presetting [bar]	4	
Operating medium	Filtered compressed air, lubricated or unlubricated, grade of filtration 40 µm	
Ambient temperature [°C]	-5 ... +50	
CE mark (see declaration of conformity)	To EU EMC Directive	-

Weight [g]	
Manifold sub-base	570
Soft-start valves without proximity sensor	590
Soft-start valves with proximity sensor	605

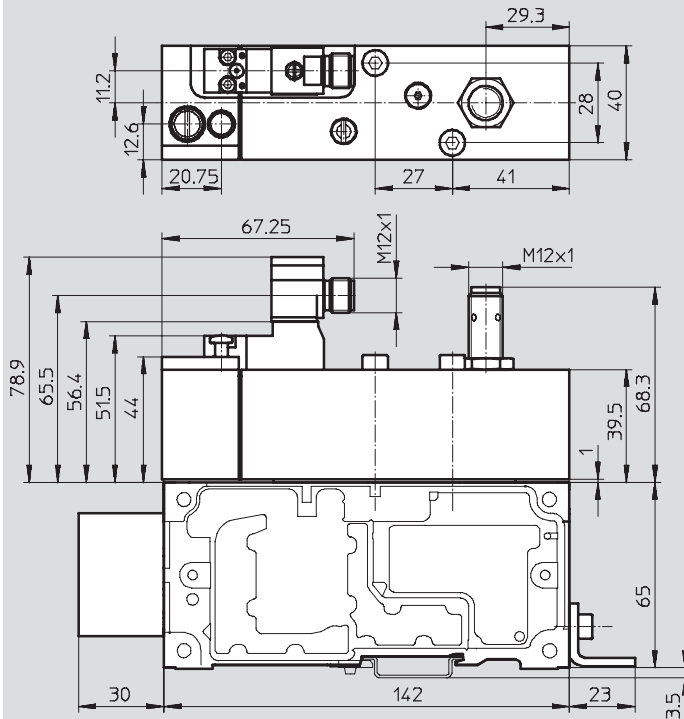
Materials	
Housing	Wrought aluminum alloy
Seals	Nitrile rubber
Screws	Galvanised steel

Valve manifolds type 44 VTSA, ISO 15407-2/ISO 5599-2

Technical data – Soft-start valve

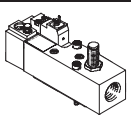
Dimensions

Download CAD Data → www.festo.com/us/cad

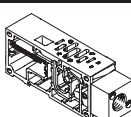


1 Socket head screw M5x48
DIN 912, captive

Ordering data – Valves

	Nominal operating voltage		Sensor output	Pneumatic connection	Type	Part No.
	24 V DC	110 V AC				
	-	■	No	G $\frac{1}{2}$	VABF-S6-1-P5A4-G12-4-2A	558 228
	-	■	No	1/2 NPT	VABF-S6-1-P5A4-N12-4-2A	558 229
	■	-	No	G $\frac{1}{2}$	VABF-S6-1-P5A4-G12-4-1	558 230
	■	-	No	1/2 NPT	VABF-S6-1-P5A4-N12-4-1	558 231
	■	-	PNP	G $\frac{1}{2}$	VABF-S6-1-P5A4-G12-4-1-P	557 377
	■	-	PNP	1/2 NPT	VABF-S6-1-P5A4-N12-4-1-P	558 232
	■	-	NPN	G $\frac{1}{2}$	VABF-S6-1-P5A4-G12-4-1-N	558 233
	■	-	NPN	1/2 NPT	VABF-S6-1-P5A4-N12-4-1-N	558 234

Ordering data – Manifold sub-bases

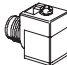
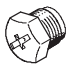




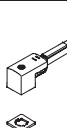
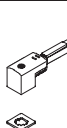
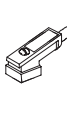
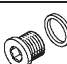

	Pneumatic connection	Type	Part No.
	G $\frac{1}{2}$	VABV-S6-1Q-G12	556 989
	1/2 NPT	VABV-S6-1Q-N12	556 988

Note: All metric products can be used within inch tubing systems via hybrid fittings (→ Overview on page 88)

Valve manifolds type 44 VTSA, ISO 15407-2/ISO 5599-2

Technical data – Soft-start valve



Ordering data – Accessories				
		Type	Part No.	
	Angled socket, for solenoid coil, 2-pin; straight plug, 2-pin, M12	MSSD-EB-M12-MONO	188 024	
	Protective cap M12 for sealing the sensor opening	ISK-M12	165 592	
	Proximity sensor	PNP	SIEN-M12B-PS-S-L	150 403
		NPN	SIEN-M12B-NS-S-L	150 401
	4-wire connecting cable, straight socket, M12x1	5 m cable	SIM-M12-4GD-5-PU	164 259
	3-wire connecting cable, angled socket, M12x1	5 m cable	NEBU-M12W5-K-5-LE3	541 370
	3-wire connecting cable, straight socket, M12x1	5 m cable	NEBU-M12G5-K-5-LE3	541 364
	Connecting cable, angled socket, type C, for solenoid coil 24 V DC, with LED for switching status display	2.5 m cable	KMEB-1-24-2,5-LED	151 688
		5 m cable	KMEB-1-24-5-LED	151 689
		10 m cable	KMEB-1-24-10-LED	193 457
	Connecting cable, angled socket, type C, for solenoid coil 230 V AC	2.5 m cable	KMEB-1-230AC-2,5	151 690
		5 m cable	KMEB-1-230-5	151 691
	Connecting cable, angled socket, type C, for solenoid coil 24 V DC, with LED for switching status display	2.5 m cable	KMEB-2-24-2,5-LED	174 844
		5 m cable	KMEB-2-24-5-LED	174 845
	Connecting cable, angled socket, type C, for solenoid coil 230 V AC	2.5 m cable	KMEB-2-230AC-2,5	174 846
		5 m cable	KMEB-2-230-5	174 847
	Blanking plug for thread G1/2	Scope of delivery 10 pieces	B-1/2	3 571
	Pressure gauge 0 ... 10 bar	Pneumatic connection M5	MA-27-10-M5	526 323

Valve manifolds type 44 VTSA, ISO 15407-2/ISO 5599-2



Individual valve

Ordering data					
	Code	Valve function	Width	Type	Part No.
Solenoid valves, 24 V DC					
	M	5/2-way valve, single solenoid, pneumatic spring return	18 mm	VSVA-B-M52-AZD-A2-1T1L	539 184
			26 mm	VSVA-B-M52-AZD-A1-1T1L	539 158
			42 mm	VSVA-B-M52-AZD-D1-1T1L	543 698
	O	5/2-way valve, single solenoid, mechanical spring return	18 mm	VSVA-B-M52-MZD-A2-1T1L	539 185
			26 mm	VSVA-B-M52-MZD-A1-1T1L	539 159
			42 mm	VSVA-B-M52-MZD-D1-1T1L	543 699
	J	5/2-way valve, double solenoid	18 mm	VSVA-B-B52-ZD-A2-1T1L	539 182
			26 mm	VSVA-B-B52-ZD-A1-1T1L	539 156
			42 mm	VSVA-B-B52-ZD-D1-1T1L	543 696
	D	5/2-way valve, double solenoid, with dominant signal	18 mm	VSVA-B-D52-ZD-A2-1T1L	539 183
			26 mm	VSVA-B-D52-ZD-A1-1T1L	539 157
			42 mm	VSVA-B-D52-ZD-D1-1T1L	543 697
	N	2x 3/2-way valve, single solenoid, normally open	18 mm	VSVA-B-T32U-AZD-A2-1T1L	539 178
			26 mm	VSVA-B-T32U-AZD-A1-1T1L	539 152
			42 mm	VSVA-B-T32U-AZD-D1-1T1L	543 692
	K	2x 3/2-way valve, single solenoid, normally closed	18 mm	VSVA-B-T32C-AZD-A2-1T1L	539 176
			26 mm	VSVA-B-T32C-AZD-A1-1T1L	539 150
			42 mm	VSVA-B-T32C-AZD-D1-1T1L	543 690
	H	2x 3/2-way valve, single solenoid, 1x normally open, 1x normally closed	18 mm	VSVA-B-T32H-AZD-A2-1T1L	539 180
			26 mm	VSVA-B-T32H-AZD-A1-1T1L	539 154
			42 mm	VSVA-B-T32H-AZD-D1-1T1L	543 694
	B	5/3-way valve, mid-position pressurised	18 mm	VSVA-B-P53U-ZD-A2-1T1L	539 186
			26 mm	VSVA-B-P53U-ZD-A1-1T1L	539 160
			42 mm	VSVA-B-P53U-ZD-D1-1T1L	543 700
	G	5/3-way valve, mid-position closed	18 mm	VSVA-B-P53C-ZD-A2-1T1L	539 188
			26 mm	VSVA-B-P53C-ZD-A1-1T1L	539 162
			42 mm	VSVA-B-P53C-ZD-D1-1T1L	543 702
	E	5/3-way valve, mid-position exhausted	18 mm	VSVA-B-P53E-ZD-A2-1T1L	539 187
			26 mm	VSVA-B-P53E-ZD-A1-1T1L	539 161
			42 mm	VSVA-B-P53E-ZD-D1-1T1L	543 701
	P	2x 3/2-way valve, single solenoid, reverse operation, normally open	18 mm	VSVA-B-T32F-AZD-A2-1T1L	539 179
			26 mm	VSVA-B-T32F-AZD-A1-1T1L	539 153
			42 mm	VSVA-B-T32F-AZD-D1-1T1L	543 693
	Q	2x 3/2-way valve, single solenoid, reverse operation, normally closed	18 mm	VSVA-B-T32N-AZD-A2-1T1L	539 177
			26 mm	VSVA-B-T32N-AZD-A1-1T1L	539 151
			42 mm	VSVA-B-T32N-AZD-D1-1T1L	543 691
	R	2x 3/2-way valve, single solenoid, reverse operation, 1x normally open, 1x normally closed	18 mm	VSVA-B-T32W-AZD-A2-1T1L	539 181
			26 mm	VSVA-B-T32W-AZD-A1-1T1L	539 155
			42 mm	VSVA-B-T32W-AZD-D1-1T1L	543 695

Valve manifolds type 44 VTSA, ISO 15407-2/ISO 5599-2



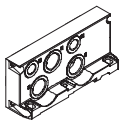
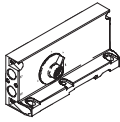
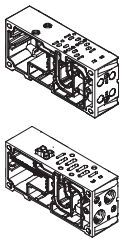
Individual valve

Ordering data					
	Code	Valve function	Width	Type	Part No.
Solenoid valves, 110 V AC					
	M	5/2-way valve, single solenoid, pneumatic spring return	18 mm	VSVA-B-M52-AZD-A2-2AT1L	539 171
			26 mm	VSVA-B-M52-AZD-A1-2AT1L	539 145
			42 mm	VSVA-B-M52-AZD-D1-2AT1L	543 685
	O	5/2-way valve, single solenoid, mechanical spring return	18 mm	VSVA-B-M52-MZD-A2-2AT1L	539 172
			26 mm	VSVA-B-M52-MZD-A1-2AT1L	539 146
			42 mm	VSVA-B-M52-MZD-D1-2AT1L	543 686
	J	5/2-way valve, double solenoid	18 mm	VSVA-B-B52-ZD-A2-2AT1L	539 169
			26 mm	VSVA-B-B52-ZD-A1-2AT1L	539 143
			42 mm	VSVA-B-B52-ZD-D1-2AT1L	543 683
	D	5/2-way valve, double solenoid, with dominant signal	18 mm	VSVA-B-D52-ZD-A2-2AT1L	539 170
			26 mm	VSVA-B-D52-ZD-A1-2AT1L	539 144
			42 mm	VSVA-B-D52-ZD-D1-2AT1L	543 684
	N	2x 3/2-way valve, single solenoid, normally open	18 mm	VSVA-B-T32U-AZD-A2-2AT1L	539 165
			26 mm	VSVA-B-T32U-AZD-A1-2AT1L	539 139
			42 mm	VSVA-B-T32U-AZD-D1-2AT1L	543 679
	K	2x 3/2-way valve, single solenoid, normally closed	18 mm	VSVA-B-T32C-AZD-A2-2AT1L	539 163
			26 mm	VSVA-B-T32C-AZD-A1-2AT1L	539 137
			42 mm	VSVA-B-T32C-AZD-D1-2AT1L	543 677
	H	2x 3/2-way valve, single solenoid, 1x normally open, 1x normally closed	18 mm	VSVA-B-T32H-AZD-A2-2AT1L	539 167
			26 mm	VSVA-B-T32H-AZD-A1-2AT1L	539 141
			42 mm	VSVA-B-T32H-AZD-D1-2AT1L	543 681
	B	5/3-way valve, mid-position pressurised	18 mm	VSVA-B-P53U-ZD-A2-2AT1L	539 173
			26 mm	VSVA-B-P53U-ZD-A1-2AT1L	539 147
			42 mm	VSVA-B-P53U-ZD-D1-2AT1L	543 687
	G	5/3-way valve, mid-position closed	18 mm	VSVA-B-P53C-ZD-A2-2AT1L	539 175
			26 mm	VSVA-B-P53C-ZD-A1-2AT1L	539 149
			42 mm	VSVA-B-P53C-ZD-D1-2AT1L	543 689
	E	5/3-way valve, mid-position exhausted	18 mm	VSVA-B-P53E-ZD-A2-2AT1L	539 174
			26 mm	VSVA-B-P53E-ZD-A1-2AT1L	539 148
			42 mm	VSVA-B-P53E-ZD-D1-2AT1L	543 688
	P	2x 3/2-way valve, single solenoid, reverse operation, normally open	18 mm	VSVA-B-T32F-AZD-A2-2AT1L	539 166
			26 mm	VSVA-B-T32F-AZD-A1-2AT1L	539 140
			42 mm	VSVA-B-T32F-AZD-D1-2AT1L	543 680
	Q	2x 3/2-way valve, single solenoid, reverse operation, normally closed	18 mm	VSVA-B-T32N-AZD-A2-2AT1L	539 164
			26 mm	VSVA-B-T32N-AZD-A1-2AT1L	539 138
			42 mm	VSVA-B-T32N-AZD-D1-2AT1L	543 678
	R	2x 3/2-way valve, single solenoid, reverse operation, 1x normally open, 1x normally closed	18 mm	VSVA-B-T32W-AZD-A2-2AT1L	539 168
			26 mm	VSVA-B-T32W-AZD-A1-2AT1L	539 142
			42 mm	VSVA-B-T32W-AZD-D1-2AT1L	543 682

Valve manifolds type 44 VTSA, ISO 15407-2/ISO 5599-2



Accessories

Ordering data					
Designation	Code	Description	Width	Type	Part No.
Right-hand end plate					
	Metric thread				
	V	With supply air/exhaust air, internal pilot air supply, G $\frac{1}{2}$		VABE-S6-1R-G12	539 234
	X	With supply air/exhaust air, external pilot air supply, G $\frac{1}{2}$		VABE-S6-1RZ-G12	539 236
	NPT thread				
	V	With supply air/exhaust air, internal pilot air supply, NPT $\frac{1}{2}$		VABE-S6-1R-N12	539 235
	X	With supply air/exhaust air, external pilot air supply, NPT $\frac{1}{2}$		VABE-S6-1RZ-N12	539 237
End plate with pilot air selector					
	Metric thread				
	Y	Internal pilot air supply		VABE-S6-1RZ-G-B1	539 238
	U	Internal pilot air supply, ducted pilot exhaust air			
	Z	External pilot air supply			
	W	External pilot air supply, ducted pilot exhaust air			
	NPT thread				
	Y	Internal pilot air supply		VABE-S6-1RZ-N-B1	539 239
	U	Internal pilot air supply, ducted pilot exhaust air			
Z	External pilot air supply				
W	External pilot air supply, ducted pilot exhaust air				
Manifold sub-base, port pattern to ISO 15407-2 and ISO 5599-2					
	Metric thread				
	A	2 valve positions, 4 addresses, for double solenoid valves	18 mm	VABV-S4-2S-G18-2T2	539 224
	B	2 valve positions, 4 addresses, for double solenoid valves	26 mm	VABV-S4-1S-G14-2T2	539 220
	C	1 valve position, 2 addresses, for double solenoid valves	42 mm	VABV-S2-1S-G38-T2	542 458
	E	2 valve positions, 2 addresses, for single solenoid valves	18 mm	VABV-S4-2S-G18-2T1	539 226
	F	2 valve positions, 2 addresses, for single solenoid valves	26 mm	VABV-S4-1S-G14-2T1	539 222
	G	1 valve position, 1 address, for single solenoid valves	42 mm	VABV-S2-1S-G38-T1	542 459
	NPT thread				
	A	2 valve positions, 4 addresses, for double solenoid valves	18 mm	VABV-S4-2S-N18-2T2	539 223
	B	2 valve positions, 4 addresses, for double solenoid valves	26 mm	VABV-S4-1S-N14-2T2	539 219
	C	1 valve position, 2 addresses, for double solenoid valves	42 mm	VABV-S2-1S-N38-T2	542 460
	E	2 valve positions, 2 addresses, for single solenoid valves	18 mm	VABV-S4-2S-N18-2T1	539 225
	F	2 valve positions, 2 addresses, for single solenoid valves	26 mm	VABV-S4-1S-N14-2T1	539 221
	G	1 valve position, 1 address, for single solenoid valves	42 mm	VABV-S2-1S-N38-T1	542 461

Note: All metric products can be used within inch tubing systems via hybrid fittings (→ Overview on page 88)

Valve manifolds type 44 VTSA, ISO 15407-2/ISO 5599-2



Accessories




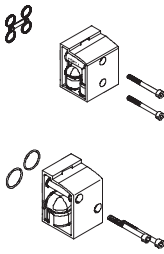
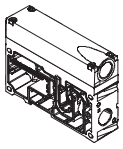
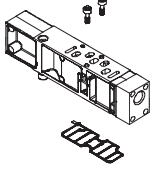
Ordering data					
Designation	Code	Description	Width	Type	Part No.
Individual sub-base, port pattern to ISO 15407-2 and ISO 5599-2, electrical connection via plug connector M12					
	Metric thread, internal pilot air supply				
	–	Connections at side, G $\frac{1}{8}$	18 mm	VABS-S4-2S-G18-B-R3	541 070
	–	Connections at side, G $\frac{1}{4}$	26 mm	VABS-S4-1S-G14-B-R3	541 069
	–	Connections at side, G $\frac{3}{8}$	42 mm	VABS-S2-1S-G38-B-R3	546 104
	Metric thread, external pilot air supply				
	–	Connections at side, G $\frac{1}{8}$	18 mm	VABS-S4-2S-G18-R3	541 064
–	Connections at side, G $\frac{1}{4}$	26 mm	VABS-S4-1S-G14-R3	541 063	
–	Connections at side, G $\frac{3}{8}$	42 mm	VABS-S2-1S-G38-R3	546 101	
Individual sub-base, port pattern to ISO 15407-2, electrical connection via cable terminals					
	Metric thread, internal pilot air supply				
	–	Connections at side, G $\frac{1}{8}$	18 mm	VABS-S4-2S-G18-B-K2	541 067
	–	Connections at side, G $\frac{1}{4}$	26 mm	VABS-S4-1S-G14-B-K2	541 065
	Metric thread, external pilot air supply				
	–	Connections at side, G $\frac{1}{8}$	18 mm	VABS-S4-2S-G18-K2	539 723
	–	Connections at side, G $\frac{1}{4}$	26 mm	VABS-S4-1S-G14-K2	539 725
	NPT thread, internal pilot air supply				
	–	Connections at side, $\frac{1}{8}$ NPT	18 mm	VABS-S4-2S-N18-B-K2	541 068
	–	Connections at side, $\frac{1}{4}$ NPT	26 mm	VABS-S4-1S-N14-B-K2	541 066
	NPT thread, external pilot air supply				
–	Connections at side, $\frac{1}{8}$ NPT	18 mm	VABS-S4-2S-N18-K2	539 724	
–	Connections at side, $\frac{1}{4}$ NPT	26 mm	VABS-S4-1S-N14-K2	539 726	
Individual sub-base, port pattern to ISO 5599-2, electrical connection via spring-loaded terminal					
	Metric thread, internal pilot air supply				
	–	Connections at side, G $\frac{3}{8}$	42 mm	VABS-S2-1S-G38-B-C1	546 762
	Metric thread, external pilot air supply				
	–	Connections at side, G $\frac{3}{8}$	42 mm	VABS-S2-1S-G38-C1	546 760
	NPT thread, internal pilot air supply				
	–	Connections at side, $\frac{3}{8}$ NPT	42 mm	VABS-S2-1S-N38-B-C1	546 763
NPT thread, external pilot air supply					
–	Connections at side, $\frac{3}{8}$ NPT	42 mm	VABS-S2-1S-N38-C1	546 761	
Individual sub-base, port pattern to ISO 5599-2, electrical connection for self-assembly					
	Metric thread, internal pilot air supply				
	–	Connections at side, G $\frac{3}{8}$	42 mm	VABS-S2-1S-G38-B-K1	546 102
	Metric thread, external pilot air supply				
	–	Connections at side, G $\frac{3}{8}$	42 mm	VABS-S2-1S-G38-K1	546 099
	NPT thread, internal pilot air supply				
	–	Connections at side, $\frac{3}{8}$ NPT	42 mm	VABS-S2-1S-N38-B-K1	546 103
NPT thread, external pilot air supply					
–	Connections at side, $\frac{3}{8}$ NPT	42 mm	VABS-S2-1S-N38-K1	546 100	

Note: All metric products can be used within inch tubing systems via hybrid fittings (→ Overview on page 88)

Valve manifolds type 44 VTSA, ISO 15407-2/ISO 5599-2



Accessories

Ordering data						
Designation	Code	Description	Width	Type	Part No.	
Separator plate						
	S	Duct separation 1, 3, 5		VABD-S6-10-P3-C	539 228	
	T	Duct separation 1		VABD-S6-10-P1-C	539 227	
	R	Duct separation 3, 5		VABD-S6-10-P2-C	539 229	
90° connection plate						
	Metric thread					
	P	Outlet at bottom, connectin	Metric thread G $\frac{1}{8}$	18 mm	VABF-S4-2-A2G2-G18	539 719
	P	Outlet at bottom, connectin	Metric thread G $\frac{1}{4}$	26 mm	VABF-S4-1-A2G2-G14	539 721
	P	Outlet at bottom, connectin	Metric thread G $\frac{3}{8}$	42 mm	VABF-S2-1-A1G2-G38	546 097
	NPT thread					
	P	Outlet at bottom, connectin	Metric thread $\frac{1}{8}$ NPT	18 mm	VABF-S4-2-A2G2-N18	539 720
	P	Outlet at bottom, connectin	Metric thread $\frac{1}{4}$ NPT	26 mm	VABF-S4-1-A2G2-N14	539 722
	P	Outlet at bottom, connectin	Metric thread $\frac{3}{8}$ NPT	42 mm	VABF-S2-1-A1G2-N38	546 098
	Supply plate					
	Metric thread					
	L	With exhaust plate, 3/5 common,	G $\frac{1}{2}$		VABF-S6-10-P1A7-G12	539 231
	K	With exhaust port cover, 3/5 separated,	G $\frac{1}{2}$		VABF-S6-10-P1A6-G12	539 230
	NPT thread					
	L	With exhaust plate, 3/5 common,	NPT $\frac{1}{2}$		VABF-S6-10-P1A7-N12	539 233
K	With exhaust port cover, 3/5 separated,	NPT $\frac{1}{2}$		VABF-S6-10-P1A6-N12	539 232	
Vertical supply plate						
	Metric thread					
	ZU	Connectin	Metric thread G $\frac{1}{8}$	18 mm	VABF-S4-2-P1A3-G18	540 173
		Connectin	Metric thread G $\frac{1}{4}$	26 mm	VABF-S4-1-P1A3-G14	540 171
		Connectin	Metric thread G $\frac{3}{8}$	42 mm	VABF-S2-1-P1A3-G38	546 093
	NPT thread					
	ZU	Connectin	Metric thread $\frac{1}{8}$ NPT	18 mm	VABF-S4-2-P1A3-N18	540 174
Connectin		Metric thread $\frac{1}{4}$ NPT	26 mm	VABF-S4-1-P1A3-N14	540 172	
Connectin		Metric thread $\frac{3}{8}$ NPT	42 mm	VABF-S2-1-P1A3-N38	546 094	

Note: All metric products can be used within inch tubing systems via hybrid fittings (→ Overview on page 88)

Valve manifolds type 44 VTSA, ISO 15407-2/ISO 5599-2



Accessories

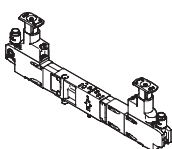
Ordering data					
Designation	Code	Description	Width	Type	Part No.
Regulator plate					
	ZA	For port 1, 10 bar	18 mm	VABF-S4-2-R1C2-C-10	540 153
		For port 1, 10 bar	26 mm	VABF-S4-1-R1C2-C-10	540 154
		For port 1, 10 bar	42 mm	VABF-S2-1-R1C2-C-10	546 084
	ZF	For port 1, 6 bar	18 mm	VABF-S4-2-R1C2-C-6	540 151
		For port 1, 6 bar	26 mm	VABF-S4-1-R1C2-C-6	540 152
		For port 1, 6 bar	42 mm	VABF-S2-1-R1C2-C-6	546 083
	ZB ¹⁾	For port 4, 10 bar	18 mm	VABF-S4-2-R3C2-C-10	540 157
		For port 4, 10 bar	26 mm	VABF-S4-1-R3C2-C-10	540 158
		For port 4, 10 bar	42 mm	VABF-S2-1-R3C2-C-10	546 086
	ZG ¹⁾	For port 4, 6 bar	18 mm	VABF-S4-2-R3C2-C-6	540 155
		For port 4, 6 bar	26 mm	VABF-S4-1-R3C2-C-6	540 156
		For port 4, 6 bar	42 mm	VABF-S2-1-R3C2-C-6	546 085
	ZC	For port 2, 10 bar	18 mm	VABF-S4-2-R2C2-C-10	540 161
		For port 2, 10 bar	26 mm	VABF-S4-1-R2C2-C-10	540 162
		For port 2, 10 bar	42 mm	VABF-S2-1-R2C2-C-10	546 088
	ZH	For port 2, 6 bar	18 mm	VABF-S4-2-R2C2-C-6	540 159
		For port 2, 6 bar	26 mm	VABF-S4-1-R2C2-C-6	540 160
		For port 2, 6 bar	42 mm	VABF-S2-1-R2C2-C-6	546 087
	ZD	For ports 2 and 4, 10 bar	18 mm	VABF-S4-2-R4C2-C-10	540 165
		For ports 2 and 4, 10 bar	26 mm	VABF-S4-1-R4C2-C-10	540 166
		For ports 2 and 4, 10 bar	42 mm	VABF-S2-1-R4C2-C-10	546 090
	ZI	For ports 2 and 4, 6 bar	18 mm	VABF-S4-2-R4C2-C-6	540 163
		For ports 2 and 4, 6 bar	26 mm	VABF-S4-1-R4C2-C-6	540 164
		For ports 2 and 4, 6 bar	42 mm	VABF-S2-1-R4C2-C-6	546 089
	ZE	For ports 2 and 4, reversible, 10 bar	18 mm	VABF-S4-2-R5C2-C-10	540 169
		For ports 2 and 4, reversible, 10 bar	26 mm	VABF-S4-1-R5C2-C-10	540 170
		For ports 2 and 4, reversible, 10 bar	42 mm	VABF-S2-1-R5C2-C-10	546 092
	ZJ	For ports 2 and 4, reversible, 6 bar	18 mm	VABF-S4-2-R5C2-C-6	540 167
		For ports 2 and 4, reversible, 6 bar	26 mm	VABF-S4-1-R5C2-C-6	540 168
		For ports 2 and 4, reversible, 6 bar	42 mm	VABF-S2-1-R5C2-C-6	546 091
ZL	For port 2, reversible, 10 bar	18 mm	VABF-S4-2-R6C2-C-10	546 252	
	For port 2, reversible, 10 bar	26 mm	VABF-S4-1-R6C2-C-10	546 251	
	For port 2, reversible, 10 bar	42 mm	VABF-S2-1-R6C2-C-10	546 832	
ZN	For port 2, reversible, 6 bar	18 mm	VABF-S4-2-R6C2-C-6	546 248	
	For port 2, reversible, 6 bar	26 mm	VABF-S4-1-R6C2-C-6	546 247	
	For port 2, reversible, 6 bar	42 mm	VABF-S2-1-R6C2-C-6	546 831	
ZK ¹⁾	For port 4, reversible, 10 bar	18 mm	VABF-S4-2-R7C2-C-10	546 254	
	For port 4, reversible, 10 bar	26 mm	VABF-S4-1-R7C2-C-10	546 253	
	For port 4, reversible, 10 bar	42 mm	VABF-S2-1-R7C2-C-10	546 834	
ZM ¹⁾	For port 4, reversible, 6 bar	18 mm	VABF-S4-2-R7C2-C-6	546 250	
	For port 4, reversible, 6 bar	26 mm	VABF-S4-1-R7C2-C-6	546 249	
	For port 4, reversible, 6 bar	42 mm	VABF-S2-1-R7C2-C-6	546 833	

1) Also suitable for symmetrical valves

Valve manifolds type 44 VTSA, ISO 15407-2/ISO 5599-2

FESTO



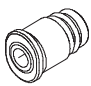
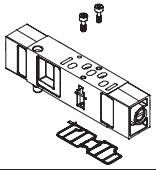
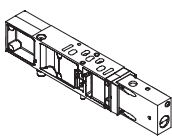
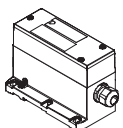
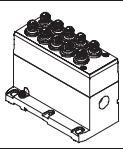
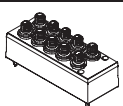
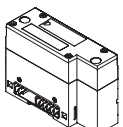
Accessories

Ordering data					
Designation	Code	Description	Width	Type	Part No.
Regulator plate for symmetrical valves					
	ZAY	For port 1, 10 bar	18 mm	VABF-S4-2-R1C2-C-10E	560 756
		For port 1, 10 bar	26 mm	VABF-S4-1-R1C2-C-10E	560 757
	ZFY	For port 1, 6 bar	18 mm	VABF-S4-2-R1C2-C-6E	560 758
		For port 1, 6 bar	26 mm	VABF-S4-1-R1C2-C-6E	549 876
	ZCY	For port 2, 10 bar	18 mm	VABF-S4-2-R2C2-C-10E	560 763
		For port 2, 10 bar	26 mm	VABF-S4-1-R2C2-C-10E	560 764
	ZHY	For port 2, 6 bar	18 mm	VABF-S4-2-R2C2-C-6E	560 765
		For port 2, 6 bar	26 mm	VABF-S4-1-R2C2-C-6E	560 766
	ZDY	For ports 2 and 4, 10 bar	18 mm	VABF-S4-2-R4C2-C-10E	560 767
		For ports 2 and 4, 10 bar	26 mm	VABF-S4-1-R4C2-C-10E	560 768
	Ziy	For ports 2 and 4, 6 bar	18 mm	VABF-S4-2-R4C2-C-6E	560 769
		For ports 2 and 4, 6 bar	26 mm	VABF-S4-1-R4C2-C-6E	560 770
	ZEY	For ports 2 and 4, reversible, 10 bar	18 mm	VABF-S4-2-R5C2-C-10E	560 771
		For ports 2 and 4, reversible, 10 bar	26 mm	VABF-S4-1-R5C2-C-10E	560 772
	ZjY	For ports 2 and 4, reversible, 6 bar	18 mm	VABF-S4-2-R5C2-C-6E	560 773
		For ports 2 and 4, reversible, 6 bar	26 mm	VABF-S4-1-R5C2-C-6E	560 774
	ZLY	For port 2, reversible, 10 bar	18 mm	VABF-S4-2-R6C2-C-10E	560 775
		For port 2, reversible, 10 bar	26 mm	VABF-S4-1-R6C2-C-10E	560 776
	ZNY	For port 2, reversible, 6 bar	18 mm	VABF-S4-2-R6C2-C-6E	560 777
		For port 2, reversible, 6 bar	26 mm	VABF-S4-1-R6C2-C-6E	560 778

Valve manifolds type 44 VTSA, ISO 15407-2/ISO 5599-2



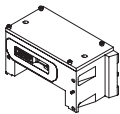
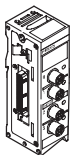
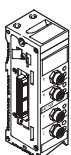
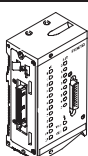

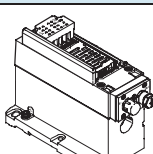
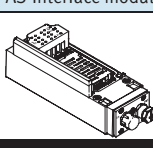
Accessories

Ordering data					
Designation	Code	Description	Width	Type	Part No.
Pressure gauge					
	T	With cartridge connection for regulator, 10 bar for regulator plate, code ZA, ZB, ZC, ZD, ZE	18 mm	PAGN-26-16-P10	543 487
			26 mm		
			42 mm	PAGN-40-16-P10	548 010
	U	With cartridge connection for regulator, 6 bar for regulator plate, code ZF, ZG, ZH, ZI, ZJ	18 mm	PAGN-26-10-P10	543 488
			26 mm		
			42 mm	PAGN-40-10-P10	548 009
	-	For soft-start valve	-	MA-27-10-M5	526 323
Cartridge for regulator plate					
	-	For tubing O.D. 4 mm		QSP10-4	172 972
	-	For tubing O.D. 3/16"		QSP10-3/16U	172 975
Flow control plate					
	X	Controls the flow of exhaust air downstream of the valve to ducts 3 and 5	18 mm	VABF-S4-2-F1B1-C	540 176
			26 mm	VABF-S4-1-F1B1-C	540 175
			42 mm	VABF-S2-1-F1B1-C	546 095
Vertical pressure shut-off plate					
	ZT	2/2-way valve for shutting off the operating pressure at the valve position	18 mm	VABF-S4-2-L1D1-C	542 884
			26 mm	VABF-S4-1-L1D1-C	542 885
			42 mm	VABF-S2-1-L1D1-C	546 096
Multi-pin node					
	T	Tension spring, for Metric thread, 36-pin		VABE-S6-1LF-C-M1-C36M	543 412
		Tension spring, for NPT connection, 36-pin		VABE-S6-1LF-C-M1-C36N	543 413
	MP1	Sub-D plug, 37-pin		VABE-S6-1LT-C-M1-S37	543 414
	MP4	Round plug, 19-pin		VABE-S6-1LF-C-M1-R19	543 415
Individual electrical connection					
	-MP2	Multi-pin node with individual connection M12, 6-way		VABE-S6-LT-C-S6-R5	549 046
	-MP3	Multi-pin node with individual connection M12, 10-way		VABE-S6-LT-C-S10-R5	549 047
	-	Cover for individual connection M12, 6-way		VAEM-S6-C-S6-R5	549 048
	-	Cover for individual connection M12, 10-way		VAEM-S6-C-S10-R5	549 049
Pneumatic interface					
	-	For electrical terminal CPX in plastic design		VABA-S6-1-X1	543 416
	-	For electrical terminal CPX in metal design		VABA-S6-1-X2	550 663

Valve manifolds type 44 VTSA, ISO 15407-2/ISO 5599-2

FESTO

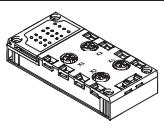

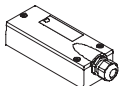
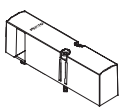





Accessories

Ordering data				
Designation	Code	Description	Type	Part No.
Pneumatic interface				
	–	For electrical peripherals type 03	VABA-S6-1-E1	559 719
Input module for electrical peripherals type 03				
	–	8 inputs, PNP, 5-pin	VIGE-03-FB-8-5POL	175 555
	–	8 inputs, PNP, 5-pin, fuse	VIGE-03-FB-8-5POL-S	188 521
Output module for electrical peripherals type 03				
	–	4 outputs, PNP, 5-pin	VIGA-03-FB-4-5POL	175 641
Input/output module for electrical peripherals type 03				
	–	12 inputs/8 outputs, PNP, Sub-D	VIEA-03-FB-12E-8A-SUBD	174 483
Bus node				
	–	For electrical peripherals type 03	IFB21-03	188 844
Electrical interface for AS-interface				
	–	4 inputs/4 outputs	VABE-S6-1LF-C-A4	549 042
	–	8 inputs/8 outputs	VABE-S6-1LF-C-A8	549 043
AS-interface module				
	–	4 inputs/4 outputs	VAEM-S6-S-FAS-4-4E	549 044
	–	8 inputs/8 outputs	VAEM-S6-S-FAS-8-8E	549 045

Valve manifolds type 44 VTSA, ISO 15407-2/ISO 5599-2

Accessories



FESTO

Ordering data						
Designation	Code	Description	Type	Part No.		
Connection block for AS-interface						
	X	4xM12, 5-pin, double, socket	CPX-AB-4-M12x2-5POL	195 704		
	GW	4xM12, 5-pin, socket, metal thread	CPX-AB-4-M12x2-5POL-R	541 254		
	R	8xM8, 3-pin, socket	CPX-AB-8-M8-3POL	195 706		
	J	8xspring-loaded terminal, Cage Clamp®, 4-pin	CPX-AB-8-KL-4POL	195 708		
	H	4xHarax®, 4-pin, socket	CPX-AB-4-HAR-4POL	525 636		
	B	Sub-D 25-pin, socket	CPX-AB-1-SUB-BU-25POL	525 676		
	Connecting cable with Sub-D plug socket					
	Polyurethane, IP65					
	GA	Connecting cable for max. 8 solenoid coils, 10-pin, suitable for energy chains	NEBV-S1W37-E-2,5-LE10	539 240		
	GB		NEBV-S1W37-E-5-LE10	539 241		
	GC		NEBV-S1W37-E-10-LE10	539 242		
	GD	Connecting cable for max. 22 solenoid coils, 26-pin, suitable for energy chains	NEBV-S1W37-E-2,5-LE26	539 243		
	GE		NEBV-S1W37-E-5-LE26	539 244		
	GF		NEBV-S1W37-E-10-LE26	539 245		
	GG	Connecting cable for max. 32 solenoid coils, 37-pin	NEBV-S1W37-K-2,5-LE37	539 246		
	GH		NEBV-S1W37-K-5-LE37	539 247		
	GI		NEBV-S1W37-K-10-LE37	539 248		
	Polyvinyl chloride, IP65					
	GK	Connecting cable for max. 8 solenoid coils, 10-pin	NEBV-S1W37-KM-2,5-LE10	543 271		
	GL		NEBV-S1W37-KM-5-LE10	543 272		
	GM		NEBV-S1W37-KM-10-LE10	543 273		
	GN	Connecting cable for max. 22 solenoid coils, 27-pin	NEBV-S1W37-KM-2,5-LE27	543 274		
	GO		NEBV-S1W37-KM-5-LE27	543 275		
	GP		NEBV-S1W37-KM-10-LE27	543 276		
	GQ	Connecting cable for max. 32 solenoid coils, 37-pin	NEBV-S1W37-KM-2,5-LE37	543 277		
	GR		NEBV-S1W37-KM-5-LE37	543 278		
GS	NEBV-S1W37-KM-10-LE37		543 279			
Cover for multi-pin plug						
	-	For user configuration	NECV-S1W37	545 974		
Cover						
	L	Blanking plate for vacant position	18 mm	VABB-S4-2-WT	539 213	
			26 mm	VABB-S4-1-WT	539 212	
			42 mm	VABB-S2-1-WT	543 186	
	N	Cover cap for manual override, non-detenting	10 pieces	VAMC-S6-CH	541 010	
	V	Cover cap for manual override, covered	10 pieces	VAMC-S6-CS	541 011	
	-	End cap for electrical manifold module, size 18 mm and 26 mm	10 pieces	VABD-S4-E-C	547 713	
Inscription label holder						
	B	Clip-on inscription label holder for valve cap	5 pieces	ASCF-T-S6	540 888	
	T	Inscription label holder for manifold blocks	5 pieces	ASCF-M-S6	540 889	

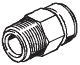

Valve manifolds type 44 VTSA, ISO 15407-2/ISO 5599-2



Accessories

Ordering Data – Push-in Fittings QS, Metric Thread					Technical Data → www.festo.com/catalog/QS		
For tubing O.D. [in]	M3		M5		M7		
	Part No.	Type	Part No.	Type	Part No.	Type	
With external hex							
	1/8	–	533209	QS-H-M5-1/8-U-M ¹⁾	–	–	
	5/32	–	533210	QS-H-M5-5/32-U-M	–	–	
	3/16	–	533211	QS-H-M5-3/16-U-M	–	–	
	1/4	–	533212	QS-H-M5-1/4-U-M	–	–	
With internal hex							
	1/8	183751	QSM-M3-1/8-I-U-M	183749	QSM-M5-1/8-I-U-M	183738	QSM-M7-1/8-I-U-M
	5/32	130592	QSM-M3-5/32-I-U-M	130593	QSM-M5-5/32-I-U-M	–	–
	3/16	183752	QSM-M3-3/16-I-U-M	183750	QSM-M5-3/16-I-U-M	183739	QSM-M7-3/16-I-U-M
	1/4	–	–	130591	QSM-M5-1/4-I-U-M	183740	QSM-M7-1/4-I-U-M

1) Scope of delivery 10 pieces

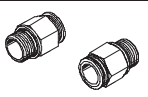
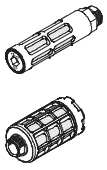

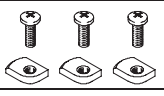

Ordering Data – Push-in Fittings QS, Taper-thread					Technical Data → www.festo.com/catalog/QS				
For tubing O.D. [in]	R1/8		R1/4		R3/8		R1/2		
	Part No.	Type	Part No.	Type	Part No.	Type	Part No.	Type	
With external hex									
	1/8	533213	QS-H-1/8-1/8-U-M	–	–	–	–	–	
	5/32	533214	QS-H-1/8-5/32-U-M	–	–	–	–	–	
	3/16	533215	QS-H-1/8-3/16-U-M	533218	QS-H-1/4-3/16-U-M	–	–	–	
	1/4	533216	QS-H-1/8-1/4-U-M	533219	QS-H-1/4-1/4-U-M	533222	QS-H-3/8-1/4-U-M	–	
	5/16	533217	QS-H-1/8-5/16-U-M	533220	QS-H-1/4-5/16-U-M	533223	QS-H-3/8-5/16-U-M	–	
	3/8	–	–	533221	QS-H-1/4-3/8-U-M	533224	QS-H-3/8-3/8-U-M	533226	QS-H-1/2-3/8-U-M
	1/2	–	–	–	–	533225	QS-H-3/8-1/2-U-M	533227	QS-H-1/2-1/2-U-M
With internal hex									
	1/4	183741	QS-1/8-1/4-I-U-M	192809	QS-1/4-1/4-I-U-M	–	–	–	
	5/16	183742	QS-1/8-5/16-I-U-M	183743	QS-1/4-5/16-I-U-M	183745	QS-3/8-5/16-I-U-M	–	
	3/8	–	–	183744	QS-1/4-3/8-I-U-M	183746	QS-3/8-3/8-I-U-M	183747	QS-1/2-3/8-I-U-M
	1/2	–	–	–	–	–	–	183748	QS-1/2-1/2-I-U-M


Note: All metric products can be used within inch tubing systems via hybrid fittings (→ Overview on page 88)

Valve manifolds type 44 VTSA, ISO 15407-2/ISO 5599-2



Accessories

Ordering data					
Designation	Code	Description	Type	Part No.	
Push-in fitting					
	Metric thread				
	-	ConnectinMetric thread G $\frac{1}{4}$ for tubing O.D. 10 mm	10 pieces	QS-G $\frac{1}{4}$ -10	186 101
	-	ConnectinMetric thread G $\frac{1}{4}$ for tubing O.D. 8 mm	10 pieces	QS-G $\frac{1}{4}$ -8	186 099
	-	ConnectinMetric thread G $\frac{3}{8}$ for tubing O.D. 10 mm	10 pieces	QS-G $\frac{3}{8}$ -10	190 643
	-	ConnectinMetric thread G $\frac{3}{8}$ for tubing O.D. 8 mm	10 pieces	QS-G $\frac{3}{8}$ -8	186 098
	-	ConnectinMetric thread G $\frac{3}{8}$ for tubing O.D. 6 mm	10 pieces	QS-G $\frac{3}{8}$ -6	186 096
	-	ConnectinMetric thread G $\frac{1}{2}$ for tubing O.D. 16 mm	1 piece	QS-G $\frac{1}{2}$ -16	186 105
	-	ConnectinMetric thread G $\frac{3}{8}$ for tubing O.D. 10 mm	10 pieces	QS-G $\frac{3}{8}$ -10	186 102
	-	ConnectinMetric thread G $\frac{3}{8}$ for tubing O.D. 12 mm	10 pieces	QS-G $\frac{3}{8}$ -12	186 103
	NPT thread				
	-	ConnectinMetric thread $\frac{1}{4}$ NPT for tubing O.D. $\frac{5}{16}$ "		QS- $\frac{1}{4}$ - $\frac{5}{16}$ -U	153 609
	-	ConnectinMetric thread $\frac{1}{4}$ NPT for tubing O.D. $\frac{1}{2}$ "		QS- $\frac{1}{4}$ - $\frac{1}{2}$ -U	190 681
	-	ConnectinMetric thread $\frac{1}{8}$ NPT for tubing O.D. $\frac{5}{16}$ "		QS- $\frac{1}{8}$ - $\frac{5}{16}$ -U	153 608
	-	ConnectinMetric thread $\frac{1}{8}$ NPT for tubing O.D. $\frac{1}{4}$ "		QS- $\frac{1}{8}$ - $\frac{1}{4}$ -U	153 605
-	ConnectinMetric thread $\frac{1}{2}$ NPT for tubing O.D. $\frac{1}{2}$ "		QS- $\frac{1}{2}$ - $\frac{1}{2}$ -U	153 615	
-	ConnectinMetric thread $\frac{1}{2}$ NPT for tubing O.D. $\frac{5}{8}$ "		QS- $\frac{1}{2}$ - $\frac{5}{8}$ -U	190 682	
Silencer					
	Metric thread				
	-	ConnectinMetric thread G $\frac{1}{4}$		U- $\frac{1}{4}$	2316
	L	ConnectinMetric thread G $\frac{1}{2}$		U- $\frac{1}{2}$	2310
	K	ConnectinMetric thread G $\frac{1}{2}$		U- $\frac{1}{2}$ -B	6844
	NPT thread				
	-	ConnectinMetric thread $\frac{1}{4}$ NPT		U- $\frac{1}{4}$ -B-NPT	12 639
K, L	ConnectinMetric thread $\frac{1}{2}$ NPT		U- $\frac{1}{2}$ -B-NPT	12 741	
Blanking plug					
	Metric thread				
	-	Thread G $\frac{1}{8}$	10 pieces	B- $\frac{1}{8}$	3568
	-	Thread G $\frac{1}{4}$	10 pieces	B- $\frac{1}{4}$	3569
	NPT thread				
-	Thread $\frac{1}{8}$ NPT	1 piece	B- $\frac{1}{8}$ -NPT	173 985	
-	Thread $\frac{1}{4}$ NPT	1 piece	B- $\frac{1}{4}$ -NPT	174 165	
H-rail mounting					
	-	VTSAVTSA-F with fieldbus	3 pieces	CPX-CPA-BG-NRH	526 032
	-	VTSAVTSA-F with multi-pin plug	2 pieces	CPA-BG-NRH	173 498
Wall mounting					
	U	Mounting bracket		VAME-S6-10-W	539 214

Ordering data – Manuals					
Designation	Code	Description	Type	Part No.	
	E	Manual for valve manifold VTSAVTSA-F	English	P.BE-VTSA-44-EN	538 923
	S		Spanish	P.BE-VTSA-44-ES	538 924
	F		French	P.BE-VTSA-44-FR	538 925

Product Range and Company Overview

A Complete Suite of Automation Services

Our experienced engineers provide complete support at every stage of your development process, including: conceptualization, analysis, engineering, design, assembly, documentation, validation, and production.



Custom Automation Components
Complete custom engineered solutions



Custom Control Cabinets
Comprehensive engineering support and on-site services



Complete Systems
Shipment, stocking and storage services

The Broadest Range of Automation Components

With a comprehensive line of more than 30,000 automation components, Festo is capable of solving the most complex automation requirements.



Electromechanical
Electromechanical actuators, motors, controllers & drives



Pneumatics
Pneumatic linear and rotary actuators, valves, and air supply



PLCs and I/O Devices
PLC's, operator interfaces, sensors and I/O devices

Supporting Advanced Automation... As No One Else Can!

Festo is a leading global manufacturer of pneumatic and electromechanical systems, components and controls for industrial automation, with more than 12,000 employees in 56 national headquarters serving more than 180 countries. For more than 80 years, Festo has continuously elevated the state of manufacturing with innovations and optimized motion control solutions that deliver higher performing, more profitable automated manufacturing and processing equipment. Our dedication to the advancement of automation extends beyond technology to the education and development of current and future automation and robotics designers with simulation tools, teaching programs, and on-site services.

Quality Assurance, ISO 9001 and ISO 14001 Certifications

Festo Corporation is committed to supply all Festo products and services that will meet or exceed our customers' requirements in product quality, delivery, customer service and satisfaction.

To meet this commitment, we strive to ensure a consistent, integrated, and systematic approach to management that will meet or exceed the requirements of the ISO 9001 standard for Quality Management and the ISO 14001 standard for Environmental Management.



© Copyright 2008, Festo Corporation. While every effort is made to ensure that all dimensions and specifications are correct, Festo cannot guarantee that publications are completely free of any error, in particular typing or printing errors. Accordingly, Festo cannot be held responsible for the same. For Liability and Warranty conditions, refer to our "Terms and Conditions of Sale", available from your local Festo office. All rights reserved. No part of this publication may be reproduced, distributed, or transmitted in any form or by any means, electronic, mechanical, photocopying or otherwise, without the prior written permission of Festo. All technical data subject to change according to technical update.



Printed on recycled paper at New Horizon Graphic, Inc., FSC certified as an environmentally friendly printing plant.

Festo North America

United States

Customer Resource Center

502 Earth City Expy., Suite 125
Earth City, MO 63045

For ordering assistance, or to find
your nearest Festo Distributor,

Call: 1.800.99.FESTO

Fax: 1.800.96.FESTO

Email: customer.service@us.festo.com

For technical support,

Call: 1.866.GO.FESTO

Fax: 1.800.96.FESTO

Email: product.support@us.festo.com

Headquarters

Festo Corporation
395 Moreland Road
P.O. Box 18023
Hauppauge, NY 11788
www.festo.com/us

Sales Offices

Appleton

N. 922 Tower View Drive, Suite N
Greenville, WI 54942

Boston

120 Presidential Way, Suite 330
Woburn, MA 01801

Chicago

1441 East Business Center Drive
Mt. Prospect, IL 60056

Dallas

1825 Lakeway Drive, Suite 600
Lewisville, TX 75057

Detroit - Automotive Engineering Center

2601 Cambridge Court, Suite 320
Auburn Hills, MI 48326

New York

395 Moreland Road
Hauppauge, NY 11788

Silicon Valley

4935 Southfront Road, Suite F
Livermore, CA 94550

Design and Manufacturing Operations



East: 395 Moreland Road, Hauppauge, NY 11788



Central: 1441 East Business Center Drive, Mt. Prospect, IL 60056



West: 4935 Southfront Road, Suite F, Livermore, CA 94550

Mexico

Headquarters

Festo Pneumatic, S.A.
Av. Ceylán 3, Col. Tequesquahuac
54020 Tlalnepantla, Edo. de México
Call: 011 52 [55] 53 21 66 00
Fax: 011 52 [55] 53 21 66 65
Email: festo.mexico@mx.festo.com
www.festo.com/mx



Canada

Headquarters

Festo Inc.
5300 Explorer Drive
Mississauga, Ontario L4W 5G4
Call: 1.905.624.9000
Fax: 1.905.624.9001
Email: info.ca@ca.festo.com
www.festo.com/ca



Festo Worldwide

Argentina Australia Austria Belarus Belgium Brazil Bulgaria Canada Chile China Colombia Croatia Czech Republic Denmark
Estonia Finland France Germany Great Britain Greece Hong Kong Hungary India Indonesia Iran Ireland Israel Italy Japan
Latvia Lithuania Malaysia Mexico Netherlands New Zealand Norway Peru Philippines Poland Romania Russia Serbia Singapore Slo-
vakia Slovenia South Africa South Korea Spain Sweden Switzerland Taiwan Thailand Turkey Ukraine United States Venezuela

www.festo.com