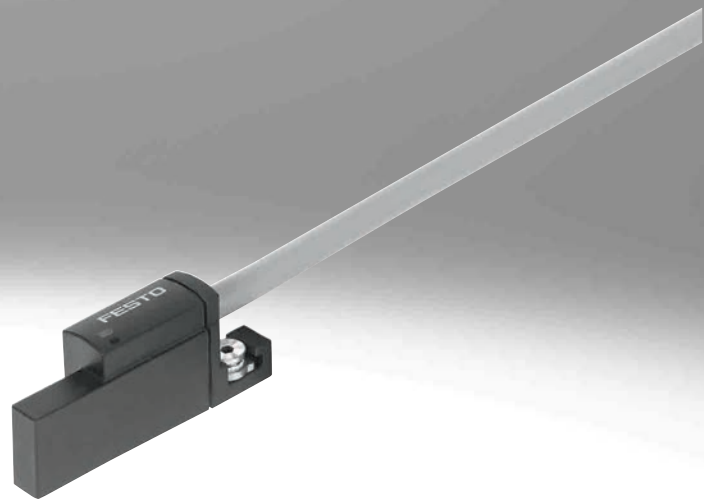


# Proximity switches SDBT for T-slot

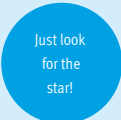


Festo Core Range  
Solves the majority of your automation tasks

With the Festo Core Range, we have selected the most important products and functions from our broad product catalogue, and added the quickest delivery.

Worldwide: Quickest delivery – wherever, whenever  
Simply good: Expected high Festo quality  
Fast: Easy and fast to select

The Core Range offers you the best value for your automation tasks.



## Product range overview

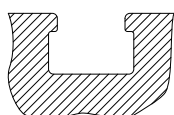
Design	Type of mounting	Measuring principle	Type	Operating voltage range	Switching output	Switching element function	→ Page	
For T-slot	<b>Standard</b>							
	Screw-clamped, inserted in the slot from above	Magnetic Hall	SDBT-MSX	10 ... 30 V DC	PNP/NPN, switchable	N/O/ N/C contact, switchable	–	
	Inserted in the slot from above, flush with the cylinder profile	Magneto-resistive	SMT-8M-A	5 ... 30 V DC	PNP	N/O contact	–	
						N/C contact		
					NPN	N/O contact		
					Non-contacting, 2-wire	N/O contact		
	Inserted in the slot from above, flush with the cylinder profile	Magnetic reed	SME-8M	5 ... 30 V AC/DC	Contacting, bipolar	N/O contact	–	
						N/C contact		
	Inserted in the slot lengthwise, flush with the cylinder profile	Magnetic reed	SME-8	12 ... 30 V AC/DC	Contacting, bipolar	N/O contact	–	
						N/C contact		
				3 ... 230 V AC/DC		N/O contact	–	
	Insertable in the slot lengthwise	Magneto-resistive	SMT-8G	10 ... 30 V DC	PNP, NPN	N/O contact	–	
		Magneto-resistive	SMT-8-SL	10 ... 30 V DC	PNP	N/O contact	–	
		Magnetic reed	SME-8-SL	10 ... 30 V AC/DC	Contacting, bipolar	N/O contact	–	
	With accessories	Magneto-resistive	SMT0-8E	10 ... 30 V DC	PNP	N/O contact	–	
								NPN
		Magnetic reed	SME0-8E	12 ... 30 V DC	Contacting, bipolar	N/O contact	–	
				3 ... 250 V DC				
				3 ... 230 V AC				
	<b>Corrosion-resistant</b>							
	Inserted in the slot from above, flush with the cylinder profile	Magneto-resistive	CRSMT-8M	5 ... 30 V DC	PNP	N/O contact	–	
	<b>Welding-field-resistant</b>							
Inserted in the slot from above, screw-clamped	Magneto-resistive	SDBT-BSW	10 ... 30 V DC	PNP	N/O contact	7		
							NPN	
							Non-contacting, 2-wire	
With accessories	Magneto-inductive	SMTS0-8E	10 ... 30 V DC	PNP	N/O contact	–		
							NPN	
<b>Heat-resistant up to 120°C</b>								
Inserted in the slot lengthwise, flush with the cylinder profile	Magnetic reed	SME-8-...S6	0 ... 30 V AC/DC	Contacting, bipolar	N/O contact	–		
With accessories	Magnetic reed	SME0-8E-...S6	0 ... 30 V DC	Contacting	N/O contact	–		
							0 ... 30 V AC	
<b>To EU Explosion Protection Directive (ATEX)</b>								
Inserted in the slot from above, screw-clamped	Magneto-resistive	SDBT-MS-...-EX6	8.2 V DC	NAMUR	NAMUR	12		

## Product range overview

Design	Type of mounting	Measuring principle	Type	Operating voltage range	Switching output	Switching element function	→ Page
For C-slot	<b>Standard</b>						
	Inserted in the slot from above, flush with the cylinder profile	Magneto-resistive	SMT-10M	10 ... 30 V DC	PNP	N/O contact	C-slot
					NPN		
			Non-contacting, 2-wire				
	Insertable in the slot lengthwise	Magnetic reed	SME-10M	5 ... 30 V AC/DC	Contacting, bipolar	N/O contact	
Magneto-resistive		SMT-10G	10 ... 30 V DC	PNP	N/O contact		
Magnetic reed		SME-10	12 ... 27 V AC/DC	Contacting	N/O contact		

## T-slot switches can be used for drives with T-slot

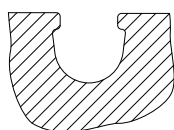
## Exceptions



- DFM-B: SMT0-8E, SMTSO-8E, SME0-8E and SMP0-8E cannot be used
- DHDS: SME-8M can only be used on  $\varnothing 50$
- DHPS: SME-8M can only be used on  $\varnothing 20 \dots 35$
- HGDD-63-A: SMT-8M-A cannot be used
- HGPT-B: only SMT-8G can be used from size 40 and upwards
- SDBT-BSW- ... -PU/NU can only be used on a limited number of drive series. Page → 53

## C-slot switches can be used for drives with C-slot

## Exceptions



- ADVC  $\varnothing 100$ : SMT-10M and SME-10M cannot be used (ADVC has a T-slot and C-slot)
- DSM/DSM-B-6/8/10: SME-10M cannot be used
- DSM/DSM-B-10/16: SMT-10M cannot be used
- HGPT-B: only SMT-10G can be used for sizes up to and including size 35

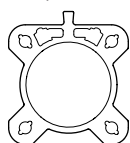
## For drives with sensor rail: these are available with 2 cylinder barrel contours

Only T-slot switches CRSMT-8M, SMT-8M-A and SDBT-MS- ... -EX6 can be used, and only with the identified profile.

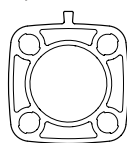
CRSMT-8M and SMT-8M-A can be used for all diameters; SDBT-MS- ... -EX6 cannot be used for diameters 40 and 50.

Example: DSBF

Example: CDC

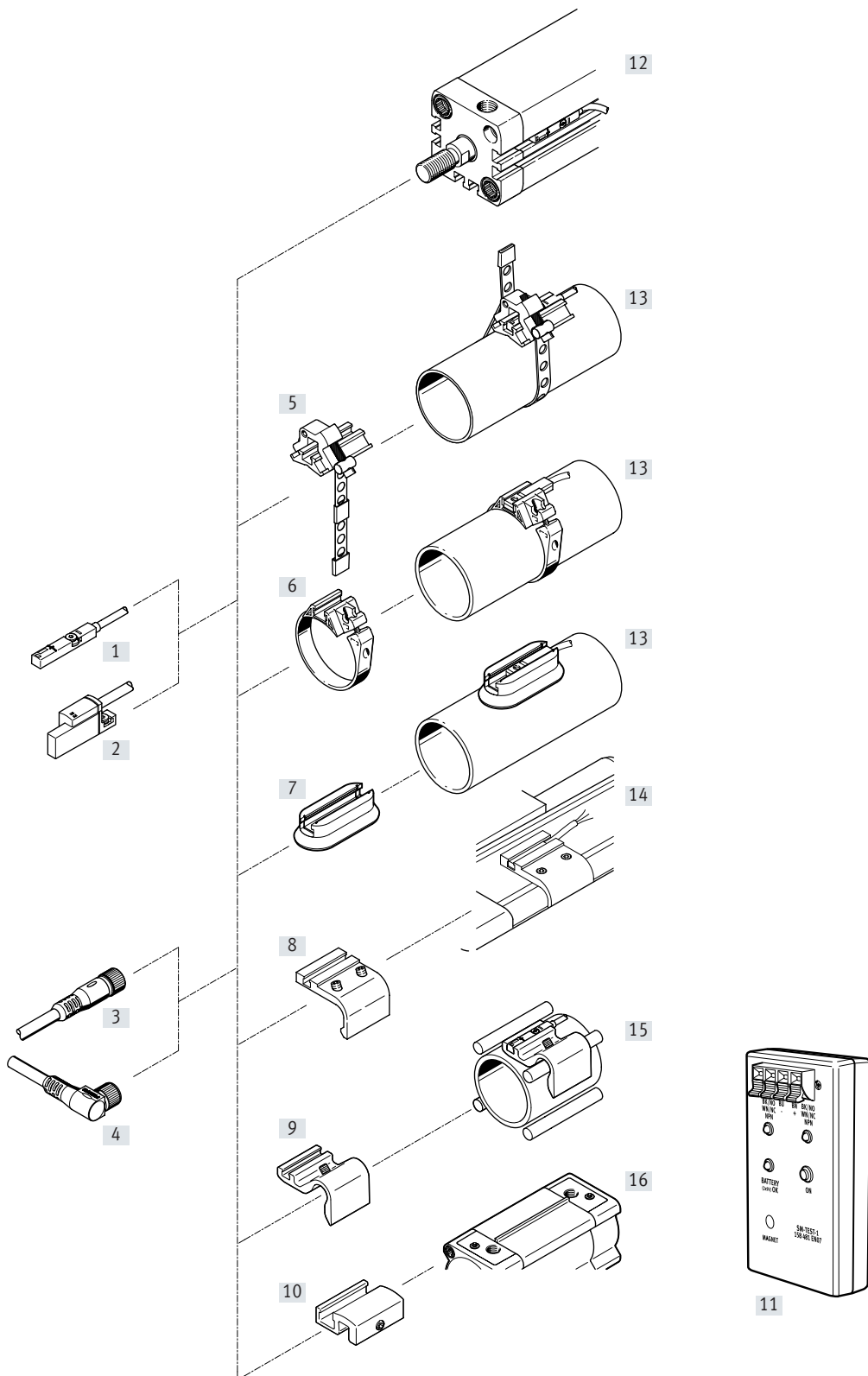


Suitable



Not suitable

Peripherals overview



## Peripherals overview

Mounting attachments and accessories		→ Page	Mounting attachments and accessories		→ Page
<b>Proximity switches</b>			<b>Mounting kits and accessories</b>		
[1]	SDBT-MS-...-EX6, with explosion protection	12	[5]	Mounting kit SMBR-8-8/100-S6, heat resistant	15
[2]	SDBT-BSW, welding-field-resistant	7	[6]	Mounting kit SMBR	15
			[7]	Mounting kit CRSMB, corrosion-resistant	16
			[8]	Mounting kit SMB-8-FENG	16
			[9]	Sensor bracket DASP-M4-...	17
			[10]	Mounting kit SMB-8-C	17
			[11]	Sensor tester SM-TEST-1	19
			-	Positioning element SMM-8	18
			-	Clip SMBK-8	19
			-	Inscription label ASLR	19
			-	Safety clip NEAU	19
			<b>Connecting cables</b>		
[3]	NEBU-M...G...	19	[12]	Drives with T-slot	-
[4]	NEBU-M...W...	19	[13]	Round cylinders	-
			[14]	Standards-based cylinders DSBC	-
			[15]	Drives with tie or mounting rod	-
			[16]	Standards-based cylinders DSBF	-

## Type codes

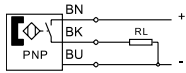
001	Series
<b>SDBT</b>	Sensor, position, binary, T series
002	Sensor version
<b>B</b>	Can be inserted in the slot, clamping at rear
<b>M</b>	Can be inserted in the slot
003	Sensor principle
<b>S</b>	Contactless (solid state)
004	Additional features
	None
<b>W</b>	Welding field immune
005	Nominal operating voltage
<b>1</b>	24 V DC
<b>20N</b>	8.2 V DC (Namur)
006	Display
<b>L</b>	LED
007	Digital switching output
<b>PU</b>	3-wire N/O contact, PNP
<b>NU</b>	3-wire N/O contact, NPN
<b>ZN</b>	2-wire, Namur
<b>ZU</b>	2-wire N/O contact

008	Cable characteristic
<b>E</b>	Suitable for energy chains/robot applications
<b>W</b>	Resistant to welding spatter
009	Cable length [m]
<b>0,3</b>	0.3 m
<b>5,0</b>	5 m
<b>10,0</b>	10 m
010	Cable identification
	With label holder
<b>N</b>	Without label holder
011	Electrical connection
<b>LE</b>	Open end
<b>M12</b>	Plug M12, A-coded
012	EU certification
	None
<b>EX6</b>	II 1GD

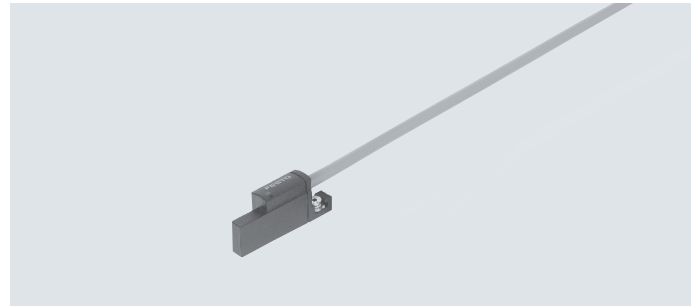
## Data sheet – Magneto-resistive

## Function

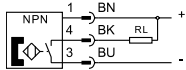
...-PU-...-LE



- Oil-resistant
- Welding-field-resistant,  
AC 50 ... 60 Hz, MFDC 1000 Hz
- Resistant to welding spatter
- UV-resistant



...-NU-...-M12


**Note**

- For contactless piston-rod position sensing on Festo pneumatic cylinders, in particular the hinge cylinder DWx for AMI, in low and medium frequency welding installations (50/60 Hz, 1000 Hz) with strong constant or alternating magnetic fields.
- When using the SDBT-BSW on drives other than the DWx series, multiple switching can occur.
- The SDBT-BSW-...-ZU-... (2-wire version for 50/60 Hz AC) can be used on all drives.
- The SDBT-BSW-...-PU/NU-... (3-wire version for 50/60 Hz AC and 1000 Hz MFDC) can be used on the following drives (see table). For drives that are not listed, reliable functioning cannot be guaranteed. The application range should be checked where necessary.

## SDBT-BSW-...-PU/NU-... (3-wire version for 50/60 Hz AC and 1000 Hz MFDC)

Drive	∅	[mm]	8	10	12	16	18	20	25	32	40	50	63	80	100
DW/DWA/DWB			-	-	-	-	-	-	-	-	-	■	■	■	-
ADN			-	-	■	■	-	■	■	■	■	■	-	-	-
ADVU			-	-	■	■	-	■	■	■	■	■	-	-	-
DFM			-	-	■	■	-	■	■	■	■	■	■	-	-
DGC-K			-	-	-	-	■	-	■	-	-	-	-	-	-
DSBC			-	-	-	-	-	-	-	■	■	-	-	-	-
DSBG			-	-	-	-	-	-	-	■	■	■	■	-	■
DSNU			■	■	■	■	-	■	■	■	■	■	-	-	-

## General technical data

Design	For T-slot
Based on standard	EN 60947-5-2
Certification	RCM compliance mark c UL us listed (OL)
Special characteristics	Oil-resistant Welding-field-resistant Resistant to welding spatter UV-resistant
Switching characteristics during the welding process	Output signal freezes
CE marking (see declaration of conformity)	To EU EMC Directive
KC mark	KC EMC
Note on materials	Free of copper and PTFE, RoHS-compliant

## Input signal/measuring element

Measuring principle	Magneto-resistive
Measured variable	Position
Ambient temperature	[°C] -25 ... +85

## Signal processing

Max. speed of travel	[m/s]	1
----------------------	-------	---

## Data sheet – Magneto-resistive

Switching output		...-PU-...	...- NU-...	...-ZU-...
Switching element function		N/O contact		
Repetition accuracy	[mm]	0.2		
Switch-on time	[ms]	≤15		
Switch-off time	[ms]	≤25		
Max. switching frequency	[Hz]	25		
Max. output current	[mA]	100		80
Max. output current in mounting kits	[mA]	100		80
Max. switching capacity DC	[W]	2.8		1.9
Max. switching capacity DC in mounting kits	[W]	2.8		1.9
Voltage drop	[V]	< 1.5		< 6
Minimum load current	[mA]	0		2.4
Off-state current	[mA]	< 0.005	< 0.14	< 0.7

Output, additional data	
Short circuit current rating	Yes, pulsed
Overload protection	Present

Electronics	
Switching output	PNP
Rated operating voltage	[V DC] 24
Operating voltage range	[V DC] 10 ... 30
Reverse polarity protection	For all electrical connections

Electromechanics		...-PU/ NU-...-M12	...-PU/ NU-...-LE	...-ZU-...-LE
Electrical connection				
Connection type		Cable with plug	Cable	Cable
Connection technology		M12x1, A-coded to EN 61076-2-101	Open end	Open end
Number of pins/wires		3	3	2
Type of mounting		Screw-type lock	–	–
Outlet direction of connection		In-line		
Cable characteristic		Resistant to welding spatter		
Cable test conditions		Test conditions on request		

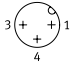


## Data sheet – Magneto-resistive

Mechanics		...-PU/ NU-...-M12	...-PU/ NU-...-LE	...-ZU-...-LE
Type of mounting	Screw-clamped, inserted in the slot from above			
Mounting position	Any			
Max. tightening torque	[Nm]	0.6		
Information on materials				
Housing	Epoxy resin, high-alloy stainless steel, PA reinforced, black			
Union nut	Nickel-plated brass	–	–	
Cable sheath	PVC, irradiated grey			
Insulating sheath	PVC			
Plug housing	TPE-U(PU)	–	–	
Wire ends	–	Wire end sleeve	Wire end sleeve	
Pin contacts	Nickel-plated and gold-plated brass	–	–	

Display/operation	
Switching status indication	Yellow LED
Function reserve indication	Orange LED

Immission/emission	
Ambient temperature with flexible cable installation	[°C] –5 ... +80
Degree of protection	IP65
	IP68
Immunity to interference from magnetic fields	Design insensitive to permanent magnetic fields < Bon
	[ZU] Insensitive to alternating magnetic fields (50 ... 60 Hz) < 160 mT
	[PU/NU] Insensitive to MFDC magnetic fields (1000 Hz) < 200 mT
	Insensitive to alternating magnetic fields (50 ... 60 Hz) < 200 mT

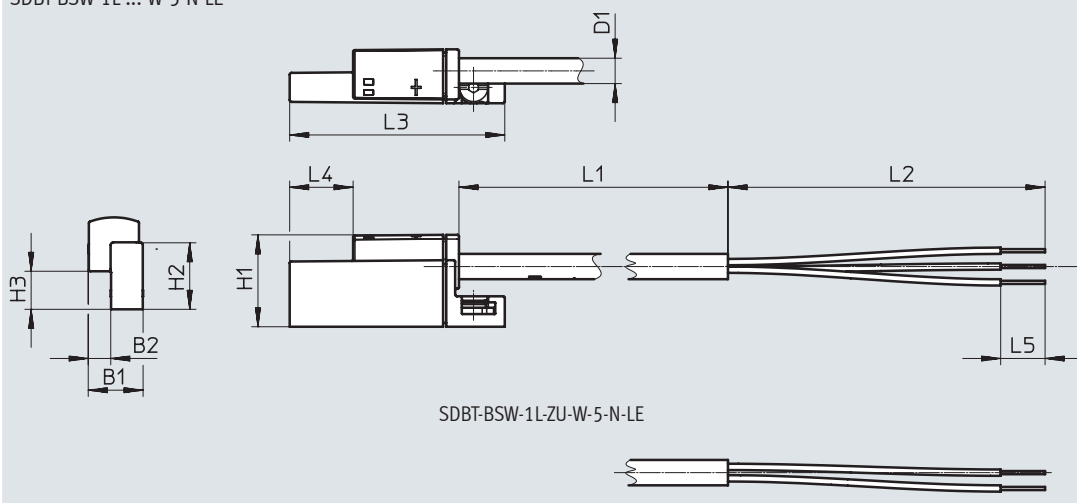
Pin allocation to EN 60947-5-2			
M12x1, 3-pin			
N/O contact			
	Pin	Wire colour	Allocation
	1	Brown	+
	3	Blue	–
	4	Black	Output

## Data sheet – Magneto-resistive

### Dimensions, open end

Download CAD data → [www.festo.com](http://www.festo.com)

SDBT-BSW-1L-...-W-5-N-LE



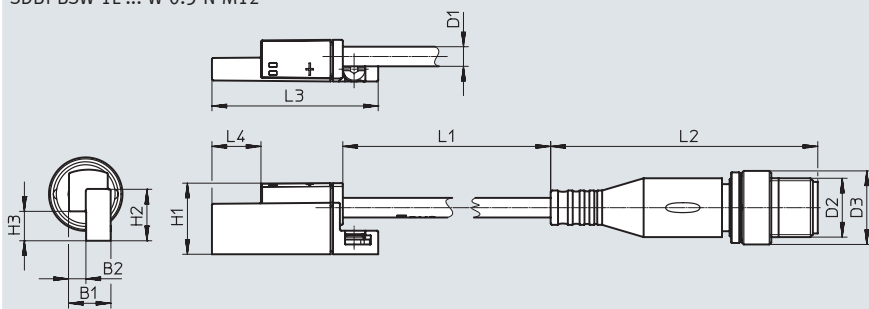
SDBT-BSW-1L-ZU-W-5-N-LE

Type	B1	B2	D1 ∅	H1	H2	H3	L1	L2	L3	L4	L5
SDBT-BSW-1L-PU-W-5-N-LE	8.5	3.5	4	14.5	10.5	6	5000	50	34	10	7
SDBT-BSW-1L-ZU-W-5-N-LE											
SDBT-BSW-1L-NU-W-5-N-LE											

### Dimensions with plug

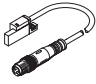
Download CAD data → [www.festo.com](http://www.festo.com)

SDBT-BSW-1L-...-W-0.3-N-M12



Type	B1	B2	D1 ∅	D2	D3 ∅	H1	H2	H3	L1	L2	L3	L4
SDBT-BSW-1L-PU-W-0,3-N-M12	8.5	3.5	4	M12	15	14.5	10.5	6	300	54.5	34	10
SDBT-BSW-1L-NU-W-0,3-N-M12												

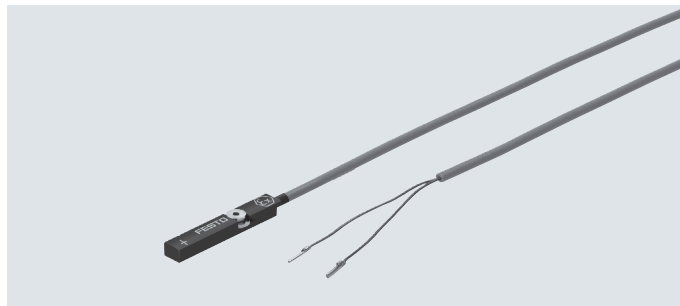
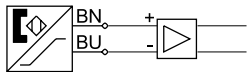
## Data sheet – Magneto-resistive

Ordering data					
	Switching output	Cable length	Weight	Part no.	Type
		[m]	[g]		
<b>N/O contact</b>					
	3-wire, NPN	0.3	23.3	<b>2427615</b>	<b>SDBT-BSW-1L-NU-W-0.3-N-M12</b>
	3-wire, PNP	5	119.4	<b>2427616</b>	<b>SDBT-BSW-1L-PU-W-5-N-LE</b>
	3-wire, NPN	5	119.4	<b>2427618</b>	<b>SDBT-BSW-1L-NU-W-5-N-LE</b>
	3-wire, PNP	0.3	23.3	<b>2476855</b>	<b>SDBT-BSW-1L-PU-W-0.3-N-M12</b>
	2-wire, contactless	5	116.9	<b>2427617</b>	<b>SDBT-BSW-1L-ZU-W-5-N-LE</b>

## Data sheet – Magneto-resistive

Function

- ATEX 1GD



### General technical data

Design	For T-slot
Based on standard	EN 60947-5-6
Certification	RCM compliance mark
Special characteristics	Oil-resistant
Max. input voltage $U_i$	[V] 28
Max. input current $I_i$	[A] 0.25
Max. input power $P_i$	[mW] T4: 350 mW T6: 72 mW
Effective internal inductance $L_i$	[ $\mu$ H] 30
Effective internal capacitance $C_i$	[ $\mu$ F] 79
Certificate issuing authority	PTZ 16 ATEX 0010 X IECEX PTZ 18.0008X DNV 17.0027 X GYJ20.1106X
CE marking (see declaration of conformity)	To EU EMC Directive To EU Explosion Protection Directive (ATEX)
KC mark	KC EMC

### Input signal/measuring element

Measured variable	Position
Measuring principle	Magneto-resistive
Ambient temperature	[ $^{\circ}$ C] -40 ... +85
Ambient temperature with flexible cable installation	[ $^{\circ}$ C] -20 ... +85

### ATEX

ATEX category for gas	II 1G
Type of ignition protection for gas	Ex ia IIC T4 ... T6 Ga
ATEX category for dust	II 1D
Type of ignition protection for dust	Ex ia IIIC T135 $^{\circ}$ C Da
Explosion-proof ambient temperature	T4, with fixed cable installation: -40 $^{\circ}$ C $\leq$ Ta $\leq$ +85 $^{\circ}$ C T4: -20 $^{\circ}$ C $\leq$ Ta $\leq$ +85 $^{\circ}$ C T6, with fixed cable installation: -40 $^{\circ}$ C $\leq$ Ta $\leq$ +45 $^{\circ}$ C T6: -20 $^{\circ}$ C $\leq$ Ta $\leq$ +45 $^{\circ}$ C
Explosion protection certification outside the EU	EPL Da (BR) EPL Da (CN) EPL Da (IEC-EX) EPL Ga (BR) EPL Ga (CN) EPL Ga (IEC-EX)

## Data sheet – Magneto-resistive

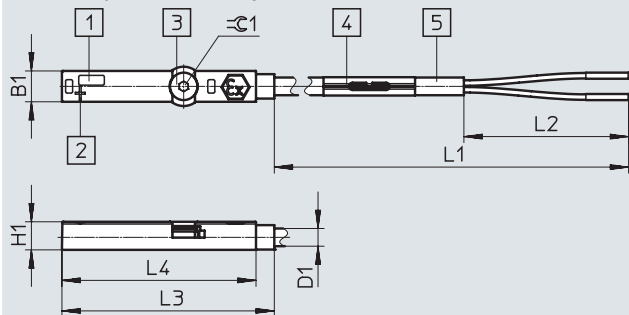
Materials		
Housing		High-alloy stainless steel PA reinforced, black
Cable sheath		TPE-U(PUR), blue
Insulating sheath		PP
Note on materials		Free of copper and PTFE RoHS-compliant Halogen-free
Switching output		
		NAMUR
Switching element function		NAMUR
Repetition accuracy	[mm]	0.2
Switch-on time	[ms]	< 1
Switch-off time	[ms]	< 1
Max. switching frequency	[Hz]	330
Off-state current	[mA]	0.4 ... 1
Electronics		
Rated operating voltage	[V DC]	8.2
Operating voltage range	[V DC]	7.5 ... 18
Residual ripple	[%]	10
Reverse polarity protection		For all electrical connections
Electromechanics		
Electrical connection		
Connection type		Cable
Connection technology		Open end
Number of pins/wires		2
Outlet direction of connection		In-line
Cable characteristic		Suitable for robot applications and energy chains
Cable test conditions		Test conditions on request Bending strength according to Festo standard
Mechanics		
Type of mounting		Screw-clamped
Mounting position		Any, inserted in slot from above
Max. tightening torque	[Nm]	0.6
Wire ends		Wire end sleeve
Display/operation		
Switching status indication		Yellow LED
Immission/emission		
Degree of protection		IP65 IP68

### Data sheet – Magneto-resistive

**Dimensions, open end**

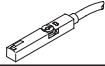
Download CAD data → [www.festo.com](http://www.festo.com)

SDBT-MS-20NL-ZN-E-...-LE-EX6



Type	B1	D1 ∅	H1	L1	L2 ±5	L3	L4	±1
SDBT-MS-20NL-ZN-E-5-LE-EX6	5.1	2.9	4.6	5000	50	34.8	31.8	1.5
SDBT-MS-20NL-ZN-E-10-LE-EX6				10000				

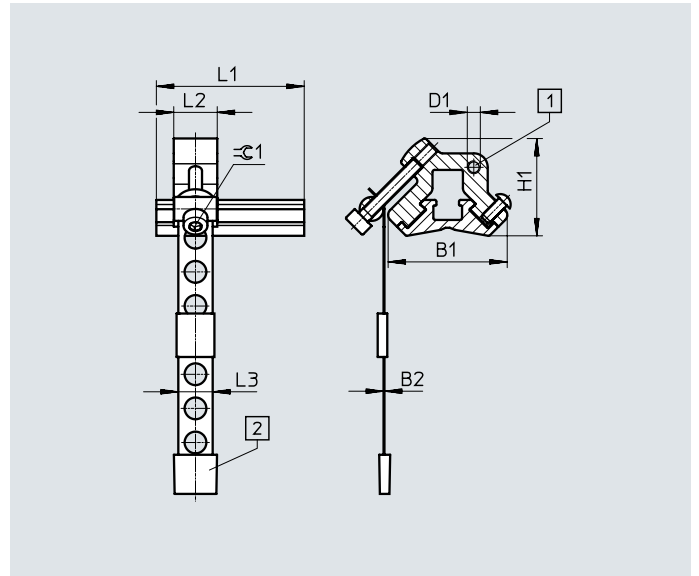
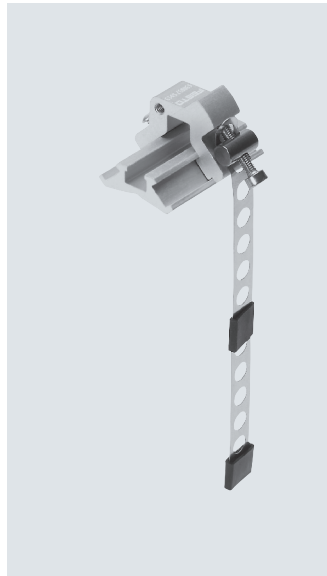
**Ordering data**

N/O contact	Switching output	Cable length	Weight	Part no.	Type
		[m]	[g]		
	2-wire, NAMUR	5	53	<b>579071</b>	<b>SDBT-MS-20NL-ZN-E-5-LE-EX6</b>
		10	104	<b>579072</b>	<b>SDBT-MS-20NL-ZN-E-10-LE-EX6</b>

## Accessories

### Mounting kit SMBR-8-8/100-S6

Material:  
 Rail: Anodised wrought aluminium alloy  
 Clamping strap, screws: High-alloy stainless steel  
 Free of copper and PTFE  
 RoHS-compliant



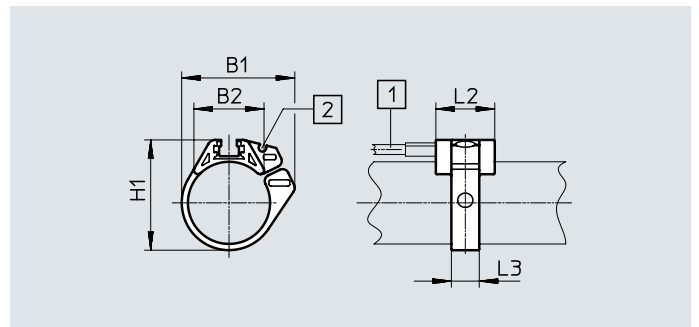
Dimensions and ordering data											Part no.	Type
For piston $\varnothing$	B1	B2	D1	H1	L1	L2	L3	$\varnothing 1$	CRC <sup>1)</sup>			
8 ... 100	27.4	0.2	M3	22.4	34	10	7.9	2.5	4	★ 538937	SMBR-8-8/100-S6	

1) Corrosion resistance class CRC 4 to Festo standard FN 940070

Particularly high corrosion stress. Outdoor exposure under extreme corrosive conditions. Parts exposed to aggressive media, e.g. in the chemical or food industries. Such applications may need to be safeguarded by means of special testing (→ also FN 940082), using appropriate media.

### Mounting kit SMBR

Material:  
 Polyacetal  
 RoHS-compliant



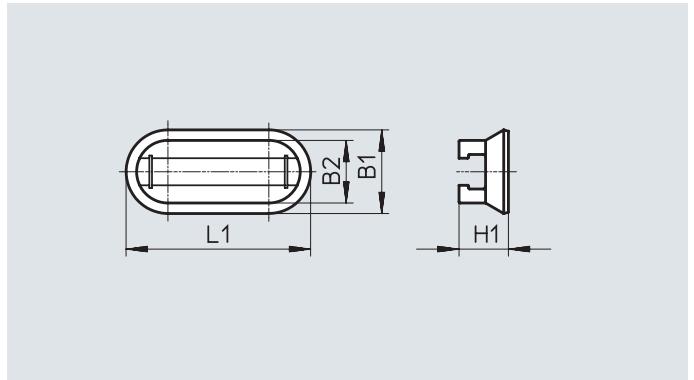
Dimensions and ordering data							Part no.	Type
For piston $\varnothing$	B1	B2	H1	L2	L3			
8	18.9	12.3	17.5	19	7	175091	SMBR-8-8	
10	20.4	13.7	19.9	19	7	175092	SMBR-8-10	
12	22.7	14.3	21.9	19	7	★ 175093	SMBR-8-12	
16	28.2	16.9	25.7	19	8	★ 175094	SMBR-8-16	
20	34.5	20.8	30.4	19	9	★ 175095	SMBR-8-20	
25	36.7	22.7	35.6	19	9	★ 175096	SMBR-8-25	
32	41.7	24.6	42.7	19	9	175097	SMBR-8-32	
40	47.1	26.5	50.7	19	9	175098	SMBR-8-40	
50	56.4	28.6	61.5	19	9	175099	SMBR-8-50	
63	69.4	32	74.5	19	9	175100	SMBR-8-63	

## Accessories

### Mounting kit CRSMB

Design: for round cylinders  
Type of mounting: bonded using enclosed adhesive tape

Degree of protection: IP65, IP68, IP69K  
Ambient temperature: -40 ... +90°C  
Material:  
Housing: Polyurethane  
Rail: Hard anodised aluminium  
Free of copper and PTFE

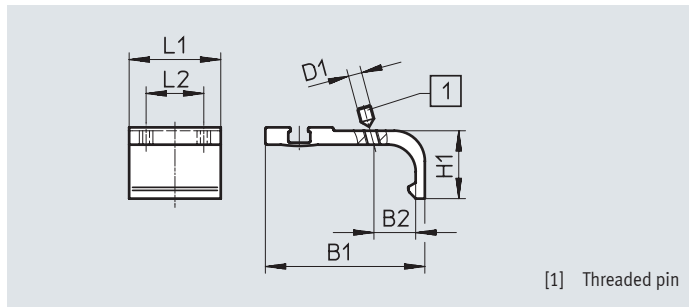


Ordering data							
For piston $\varnothing$	B1	B2	H1	L1	CRC <sup>1)</sup>	Part no.	Type
32 ... 100	15.8	11.8	9.3	35	4	525565	CRSMB-8-32/100

1) Corrosion resistance class CRC 4 to Festo standard FN 940070  
Particularly high corrosion stress. Outdoor exposure under extreme corrosive conditions. Parts exposed to aggressive media, e.g. in the chemical or food industries. Such applications may need to be safeguarded by means of special testing (→ also FN 940082), using appropriate media.

### Mounting kit SMB-8-FENG

Material:  
Wrought aluminium alloy  
Free of copper and PTFE



Dimensions and ordering data									
For piston $\varnothing$	B1	B2	D1	H1	L1	L2	Tightening torque [Nm]	Part no.	Type
32/40	35.1	8.7	M3	15.5	27	17	0.2	175705	SMB-8-FENG-32/40
50/63	47	12.3	M4	20	27	17	0.5	175706	SMB-8-FENG-50/63
80/100	64.3	15.7	M5	24.3	27	17	0.7	175707	SMB-8-FENG-80/100



## Accessories

### Mounting kit SMB-8-C

Temperature: -40 ... 120°C

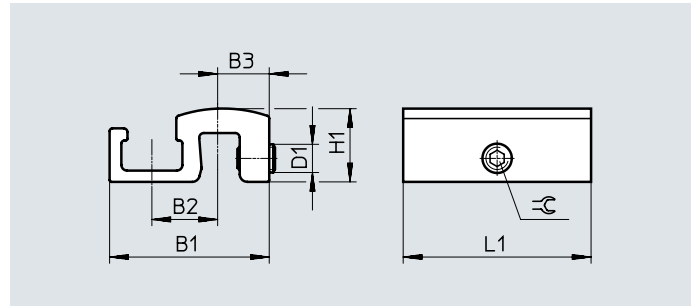
Material:

Retaining bracket: Anodised wrought aluminium alloy

Screws: High-alloy stainless steel

Free of copper and PTFE,

RoHS-compliant



#### Dimensions and ordering data

Type	B1	B2	B3	D1	H1	L1	≈ $\ominus$ 1	Tightening torque [Nm]	CRC <sup>1)</sup>	Weight [g]	Part no.	Type
SMB-8-C	17	7	5.5	M3	7.8	20	1.5	0.2 ... 0.6	3	3.5	1806790	SMB-8-C

1) Corrosion resistance class CRC 3 to Festo standard FN 940070

High corrosion stress. Outdoor exposure under moderate corrosive conditions. Externally visible parts with primarily functional surface requirements which are in direct contact with a normal industrial environment.

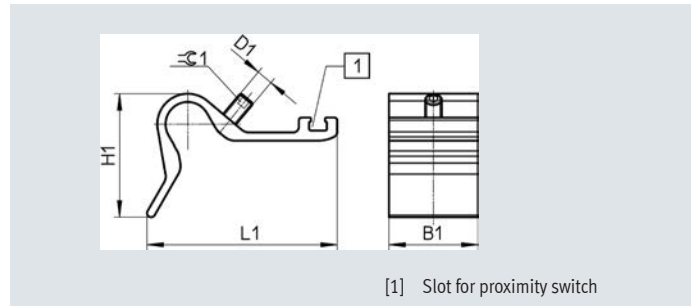
### Sensor bracket DASP-M4-...-A

Material:

Anodised wrought aluminium alloy

Screws: High-alloy stainless steel

RoHS-compliant



[1] Slot for proximity switch

#### Dimensions and ordering data

Type	B1	D1	H1	L1	≈ $\ominus$ 1	Tightening torque [Nm]	CRC <sup>1)</sup>	Weight [g]	Part no.	Type
DASP-M4-125-A	32.5	M5	28	45.4	2.5	1	3	26.5	1451483	DASP-M4-125-A
DASP-M4-160-A	32.5	M6	44.7	69.4	3	1	3	41.5	1553813	DASP-M4-160-A
DASP-M4-250-A	32.5	M6	56.3	88	3	1	3	60	1456781	DASP-M4-250-A
DASP-M4-320-A	32.5	M6	56.3	88	3	1	3	60	3015256	DASP-M4-320-A

1) Corrosion resistance class CRC 3 to Festo standard FN 940070

High corrosion stress. Outdoor exposure under moderate corrosive conditions. Externally visible parts with primarily functional surface requirements which are in direct contact with a normal industrial environment.

## Accessories

### Positioning element SMM

Insertable in the slot lengthwise

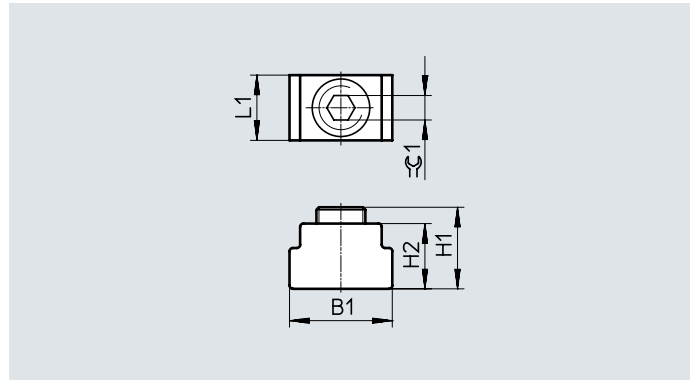
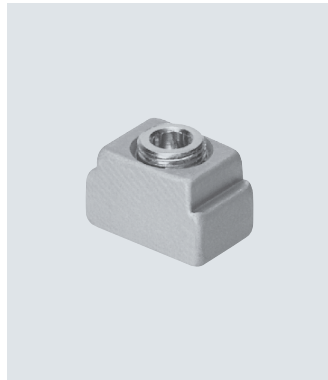
Ambient temperature: -40 ... +120°C

Materials:

Housing: Anodised wrought aluminium alloy

Screws: High-alloy stainless steel

Note on materials: RoHS-compliant



### Dimensions and ordering data







B1	H1	H2	L1	≈Ø1	CRC <sup>1)</sup>	Part no.	Type	PU <sup>2)</sup>
6.3	5.0	4.0	4.0	1.5	3	547941	SMM-8	10


1) Corrosion resistance class CRC 3 to Festo standard FN 940070

High corrosion stress. Outdoor exposure under moderate corrosive conditions. Externally visible parts with primarily functional surface requirements which are in direct contact with a normal industrial environment.

2) Packaging unit


## Accessories

Ordering data – Connecting cables		Number of wires	Cable length [m]	Part no.	Type	Data sheets → Internet: nebu/sim
<b>Socket M8x1, 3-pin</b>						
	For SMT/SME-8... and SMTO/SMTSO/SME0-8E	3	2.5	★ 541333	NEBU-M8G3-K-2.5-LE3	
			5	★ 541334	NEBU-M8G3-K-5-LE3	
	For SMT/SME-8... and SMTO/SMTSO/SME0-8E	3	2.5	★ 541338	NEBU-M8W3-K-2.5-LE3	
			5	★ 541341	NEBU-M8W3-K-5-LE3	
<b>Socket M12x1, 5-pin</b>						
	For SMT/SME-8M and SMTO/SMTSO/SME0-8E	3	2.5	★ 541363	NEBU-M12G5-K-2.5-LE3	
			5	★ 541364	NEBU-M12G5-K-5-LE3	
	For SMT/SME-8M and SMTO/SMTSO/SME0-8E	3	2.5	541367	NEBU-M12W5-K-2.5-LE3	
			5	541370	NEBU-M12W5-K-5-LE3	
<b>Socket M12x1, resistant to welding spatter</b>						
	For SDBT and SMTSO	3	3	30450	SIM-M12-RS-3GD-3	
	For SDBT and SMTSO	3	3	30451	SIM-M12-RS-3WD-3	

Ordering data – Safety clip for ATEX zone		Size	Description	Part no.	Type	PU <sup>1)</sup>
	M8	<ul style="list-style-type: none"> <li>Protects "equipment that is not intrinsically safe" in zones 2 and 22 against simple disconnection</li> <li>ATEX category: gas: II 3G / dust: II 3D</li> </ul>	548067	NEAU-M8-GD	1	
	M12		548068	NEAU-M12-GD	1	

1) Packaging unit

Ordering data – Mounting components		Description	Part no.	Type
		For fixing connecting cables in place	534254	SMBK-8

Ordering data – Sensor tester		Description	Part no.	Type
		<ul style="list-style-type: none"> <li>Testing the functionality of proximity switches using the integrated voltage supply</li> <li>Adjusting proximity switches on the cylinder</li> </ul>	158481	SM-TEST-1

Ordering data – Inscription labels		Size	Part no.	Type	PU <sup>1)</sup>
		23x4 mm	541598	ASLR-L-423	34

1) Packaging unit

# Festo - Your Partner in Automation



**1 Festo Inc.**  
5300 Explorer Drive  
Mississauga, ON L4W 5G4  
Canada

**Festo Customer Interaction Center**  
Tel: 1 877 463 3786  
Fax: 1 877 393 3786  
Email: [customer.service.ca@festo.com](mailto:customer.service.ca@festo.com)



**2 Festo Pneumatic**  
Av. Ceylán 3,  
Col. Tequesquináhuac  
54020 Tlalnepantla,  
Estado de México

**Multinational Contact Center**  
01 800 337 8669  
[ventas.mexico@festo.com](mailto:ventas.mexico@festo.com)



**3 Festo Corporation**  
1377 Motor Parkway  
Suite 310  
Islandia, NY 11749

**Festo Customer Interaction Center**  
1 800 993 3786  
1 800 963 3786  
[customer.service.us@festo.com](mailto:customer.service.us@festo.com)



**4 Regional Service Center**  
7777 Columbia Road  
Mason, OH 45040

Connect with us



[www.festo.com/socialmedia](http://www.festo.com/socialmedia)



[www.festo.com](http://www.festo.com)

Subject to change