



**Pressure and Vacuum Switches PEV/VPEV,  
PE Converters PE/PEN/VPE**



# Pressure and vacuum switches PEV/VPEV, PE converters PE/PEN/VPE

Product overview



- Mechanical pressure and vacuum switches with adjustable switching point
- PE converter
- Designs with adjustable hysteresis
- Designs with switching status display
- Variant with scale for pressure adjustment
- Wide range of mounting options

Detailed product information

→ [www.festo.com/catalogue/pev](http://www.festo.com/catalogue/pev)

Product overview							
Method of measurement	Operating pressure [bar]	Type	Pneumatic connection	Type of mounting	Operating voltage range		→ Page
					[V DC]	[V AC]	
<b>Pressure switches</b>							
Pneumatic/electrical pressure transducer	1 ... 12	PEV-1/4-...-M12	G1/4	With through-holes	0 ... 48	0 ... 48	58
	0 ... 8	PEV-W		M5	Via DIN H-rail	10 ... 30	–
	1 ... 10	PEV-1/4-A	G1/4	Screw-in	10 ... 30	–	62
<b>Vacuum switches</b>							
Pneumatic/electrical pressure transducer	-1 ... 1.6	VPEV-1/8-...-M12	G1/8	Via through-hole	0 ... 48	0 ... 48	58
		VPEV-1/8			0 ... 125	0 ... 250	
	-1 ... 0	VPEV-W	M5	Via DIN H-rail	10 ... 30	–	60
<b>PE converter</b>							
Pneumatic/electrical differential pressure switch	-1 ... +8	PEN-M5	M5	On mounting frame 2N	10 ... 30	–	63
Pneumatic/electrical pressure transducer	0 ... 8	PE-1/8-2N	G1/8	On mounting frame 2N	12 ... 250	12 ... 250	
	-0.95 ... 0	VPE-1/8-2N	G1/8	On mounting frame 2N	12 ... 250	12 ... 250	

# Pressure and vacuum switches PEV/VPEV, with through-holes

Type codes, technical data

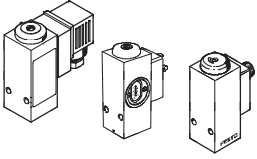



Type codes	
PEV - 1/4 - B - - - - -	
<b>Type</b>	
PEV	Pressure switch
VPEV	Vacuum switch
<b>Pneumatic connection</b>	
1/8	G1/8
1/4	G1/4
<b>Generation</b>	
B	B series
<b>Electrical connection</b>	
-	Plug, square design to EN 43 650, type A
M12	Plug, M12x1, 4-pin, round design
<b>Setting options</b>	
SC	Scale for pressure adjustment
<b>Plug socket</b>	
-	Included in scope of delivery
OD	Not included in scope of delivery
<b>Note on materials</b>	
-	Not free of copper and PTFE
CT	Free of copper and PTFE

Technical data					
Type		PEV-1/4-...-M12	PEV-1/4	VPEV-1/8-...-M12	VPEV-1/8
<b>Design</b>					
Pneumatic connection		G1/4		G1/8	
<b>Electrical data</b>					
Operating voltage range	[V DC]	0 ... 48	0 ... 250	0 ... 48	0 ... 250
	[V AC]	0 ... 48	0 ... 125	0 ... 48	0 ... 250
Switching element function		Changeover switch			
Max. output current	[mA]	5,000		2,500	
Protection against short circuit		No			
Protection against polarity reversal		Yes			
Protection class		IP65			
<b>Operating and environmental conditions</b>					
Operating medium		Filtered compressed air, lubricated or unlubricated Water Mineral oil		Filtered compressed air, lubricated or unlubricated Vacuum, lubricated or unlubricated	
Operating pressure	[bar]	1 ... 12		-1 ... +1.6	
Ambient temperature	[°C]	-20 ... +80			
CE mark (see declaration of conformity)		Not necessary	In accordance with EU Low Voltage Directive	Not necessary	In accordance with EU Low Voltage Directive
Certification		CCC			
<b>Materials</b>					
Housing		Wrought aluminium alloy			

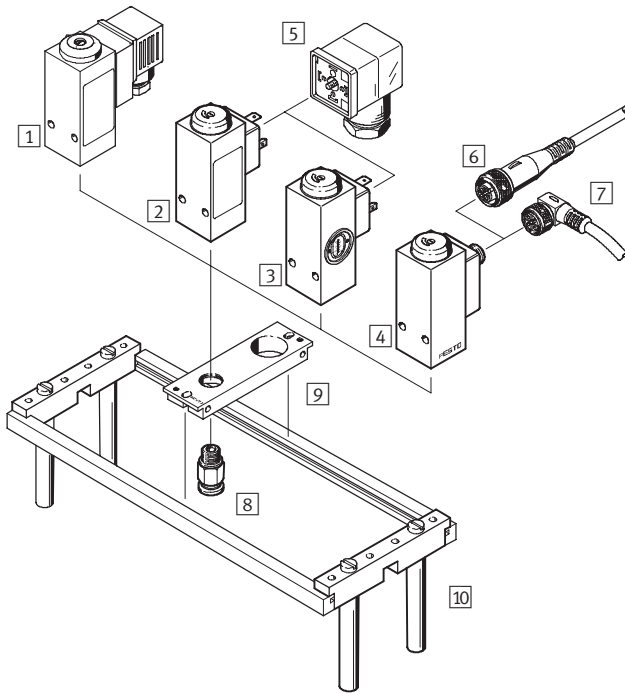
# Pressure and vacuum switches PEV/VPEV, with through-holes

Technical data, peripherals overview

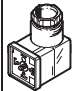
Ordering data						
Description	Electrical connection	Adjustable hysteresis	Visual scale for pressure adjustment	Plug socket in scope of delivery	Part No.	Type
<b>Pressure switches</b>						
	Plug, square design to DIN 43650, type A	■	-	■	10 773	PEV-1/4-B
		■	-	■	165 869	PEV-1/4-B-CT <sup>1)</sup>
		■	-	-	175 250	PEV-1/4-B-OD
		■	-	-	175 251	PEV-1/4-B-OD-CT <sup>1)</sup>
		-	■	-	161 760	PEV-1/4-SC-OD
	Plug M12x1, 4-pin	■	-	-	192 488	PEV-1/4-B-M12
<b>Vacuum switches</b>						
	Plug, square design to DIN 43650, type A	■	-	■	150 261	VPEV-1/8
		■	-	-	192 489	VPEV-1/8-M12



1) Free of copper and PTFE


## Peripherals overview

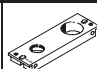
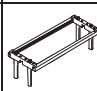


Accessories	
1	Pressure switch PEV-1/4-B-..., vacuum switch VPEV-1/8
2	Pressure switch PEV-1/4-B-OD-...
3	Pressure switch PEV-1/4-SC-OD-... with scale for pressure adjustment
4	Pressure switch PEV-1/4-B-M12, vacuum switch VPEV-1/8-M12
5	Plug socket PEV-1/4-WD-LED-... with switching status display Plug socket MSSD-C-4P without switching status display
6	Connecting cable NEBU-M12G5-... with straight socket
7	Connecting cable NEBU-M12W5-... with angled socket
8	Push-in fitting QS-...
9	Mounting plate APL-2N-PEV
10	Mounting frame NRRQ-2N

Ordering data – Plug sockets			
Description	Part No.	Type	
	164 274	PEV-1/4-WD-LED-24	
	164 275	PEV-1/4-WD-LED-230	
Without switching status display	171 157	MSSD-C-4P	

Ordering data – Connecting cables				Technical data → 261
Number of wires	Cable length [m]	Part No.	Type	
<b>M12x1, straight socket</b>				
	4	5	541 328	NEBU-M12G5-K-5-LE4
<b>M12x1, angled socket</b>				
	4	5	541 329	NEBU-M12W5-K-5-LE4

Ordering data – Push-in fittings			Technical data → www.festo.com/catalogue/qs
Part No.	Type		
	186 097	QS-G1/4-6	
	186 099	QS-G1/4-8	

Ordering data – Mounting attachments			
Part No.	Type		
	9 349	APL-2N-PEV	
	9 365	NRRQ-2N	
	11 571	NRW-9/1,5-B	

# Pressure and vacuum switches PEV-W/VPEV-W, DIN H-rail mounting

Type codes, technical data

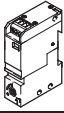
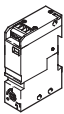


Sensors for pressure and vacuum

1.2

Type codes	
PEV-W – KL – LED – GH	
<b>Type</b>	
PEV-W	Pressure switch
VPEV-W	Vacuum switch
<b>Electrical connection</b>	
KL	Screw terminal, 4-pin
S	Plug, M8x1, 4-pin
<b>Switching status display</b>	
LED	Yellow LED
<b>Type of mounting</b>	
GH	Via DIN H-rail or via through-holes

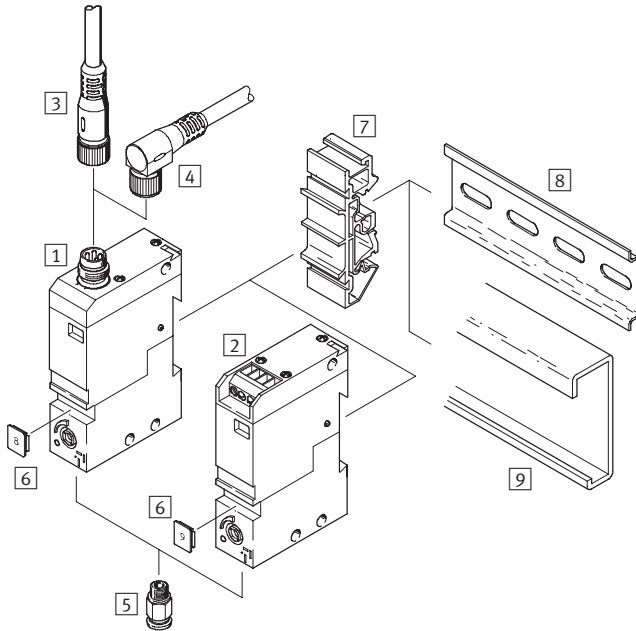
Technical data			
Type		PEV-W	VPEV-W
<b>Design</b>			
Pneumatic connection		M5	M5
<b>Electrical data</b>			
Operating voltage range	[V DC]	10 ... 30	10 ... 30
	[V AC]	–	–
Switching element function		Changeover switch	
Max. output current	[mA]	5,000	2,500
Protection against short circuit		No	
Protection against polarity reversal		Yes	
Protection class		IP65	
<b>Operating and environmental conditions</b>			
Operating medium		Filtered compressed air, lubricated or unlubricated	Filtered compressed air, lubricated or unlubricated Vacuum, lubricated or unlubricated
Operating pressure	[bar]	0 ... 8	0 ... -1
Ambient temperature	[°C]	-20 ... +80	
CE mark (see declaration of conformity)		In accordance with EU EMC directive	
Certification		CCC	
<b>Materials</b>			
Housing		Wrought aluminium alloy	

Ordering data				
Description	Electrical connection	Plug socket in scope of delivery	Part No.	Type
<b>Pressure switches</b>				
	Screw terminal, 4-pin	–	152 618	PEV-W-KL-LED-GH
	Plug, M8x1, 4-pin	–	152 616	PEV-W-S-LED-GH
<b>Vacuum switches</b>				
	Screw terminal, 4-pin	–	152 619	VPEV-W-KL-LED-GH
	Plug, M8x1, 4-pin	–	152 617	VPEV-W-S-LED-GH

# Pressure and vacuum switches PEV-W/VPEV-W, DIN H-rail mounting



Peripherals overview

## Peripherals overview




Accessories	
1	Pressure switch PEV-W-S-... with plug M8x1 Vacuum switch VPEV-W-S-... with plug M8x1
2	Pressure switch PEV-W-KL-... with screw terminals Vacuum switch VPEV-W-KL-... with screw terminals
3	Connecting cable NEBU-M8G4-... with straight socket
4	Connecting cable NEBU-M8W4-... with angled socket
5	Push-in fitting QSM-M5
6	Identification plate BZ-N...
7	Mounting latch PENV-BGH
8	Mounting rail to DIN EN 50022
9	Mounting rail to DIN EN 50035

### Ordering data – Connecting cables Technical data → 261

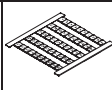
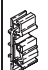
	Number of wires	Cable length [m]	Part No.	Type
<b>M8x1, straight socket</b>				
	4	2.5	541 342	NEBU-M8G4-K-2.5-LE4
		5	541 343	NEBU-M8G4-K-5-LE4
<b>M8x1, angled socket</b>				
	4	2.5	541 344	NEBU-M8W4-K-2.5-LE4
		5	541 345	NEBU-M8W4-K-5-LE4

### Ordering data – Push-in fittings

Technical data → [www.festo.com/catalogue/qsm](http://www.festo.com/catalogue/qsm)

	For tubing O.D. [mm]	Part No.	Type
	3	153 302	QSM-M5-3
	4	153 304	QSM-M5-4
	6	153 306	QSM-M5-6

### Ordering data – Accessories

	Part No.	Type
	6 888	BZ-N1-50
	6 889	BZ-N51-100
	164 597	PENV-BGH

# Pressure switches PEV, screw-in

Type codes, technical data



Sensors for pressure and vacuum

1.2

Type codes	
PEV - 1/4 - A - SW27 -	
<b>Type</b>	
PEV	Pressure switch
<b>Pneumatic connection</b>	
1/4	G1/4
<b>Generation</b>	
A	A series
<b>Width across flats</b>	
SW27	27 mm
<b>Electrical connection</b>	
-	For plug socket PEV-1/4-A-WD
B-OD	For plug socket PEV-1/4-WD-LED-...

Technical data		
Type	PEV-1/4-A-SW27	PEV-1/4-A-SW27-B-OD
<b>Design</b>		
Pneumatic connection	G1/4	
<b>Electrical data</b>		
Operating voltage range	[V DC]	12 ... 250
Switching element function	Changeover switch	
Max. output current	[mA]	4,000
Protection against short circuit	No	
Protection against polarity reversal	No	
Protection class	IP65	
<b>Operating and environmental conditions</b>		
Operating medium	Filtered compressed air, lubricated or unlubricated	
Operating pressure	[bar]	1 ... 10
Ambient temperature	[°C]	-30 ... +100      -20 ... +100
CE mark (see declaration of conformity)	In accordance with EU Low Voltage Directive	
<b>Materials</b>		
Housing	Galvanised steel	

Ordering data				
		Electrical connection	Plug socket in scope of delivery	Part No.    Type
		Plug, 4-pin	-	159 259    PEV-1/4-A-SW27
		Plug, 4-pin	-	175 252    PEV-1/4-A-SW27-B-OD

Ordering data – Plug sockets					
		Description	Operating voltage range		Part No.    Type
			[V DC]	[V AC]	
		For pressure switch PEV-1/4-A-SW27	≤180	≤230	161 209    PEV-1/4-A-WD
		For pressure switch PEV-1/4-A-SW27-B-OD	15 ... 30	-	164 274    PEV-1/4-WD-LED-24
			≤180	≤230	164 275    PEV-1/4-WD-LED-230



# PE converter PE/PEN/VPE

Type codes, technical data

FESTO

## Type codes

		PE	-	1/8	-	2N	-	SW
<b>Type</b>								
PE	PE converter							
PEN	PE converter							
VPE	PE converter for vacuum							
<b>Pneumatic connection</b>								
1/8	G1/8							
M5	Female thread M5							
<b>Type of mounting</b>								
2N	On mounting frame 2N							
<b>Width across flats</b>								
SW	Splash proof design							

## Technical data

Type	PE-1/8-2N	PE-1/8-2N-SW	PEN-M5	VPE-1/8-2N	VPE-1/8-2N-SW
<b>Design</b>					
Pneumatic connection	G1/8		M5	G1/8	
<b>Electrical data</b>					
Operating voltage range	[V DC]	12 ... 250	12 ... 30	12 ... 250	
	[V AC]	12 ... 250	-	12 ... 250	
Switch output		-	PNP	-	
Switching element function		Changeover switch	N/O contact	Changeover switch	
Max. output current	[mA]	4,000			
Minimum load current	[mA]	100	-	100	
Protection against short circuit		No	Yes	No	
Protection against polarity reversal		No			
Protection class		IP00, IP20 with protective cap	IP67	IP67	IP00, IP20 with protective cap
<b>Operating and environmental conditions</b>					
Operating medium		Filtered compressed air, lubricated or unlubricated, grade of filtration 40 µm			
					Vacuum
Operating pressure	[bar]	0 ... 8	-1 ... +8	-0.95 ... 0	
Ambient temperature	[°C]	0 ... 60	-20 ... +60	0 ... 60	
CE mark (see declaration of conformity)		In accordance with EU Low Voltage Directive	In accordance with EU EMC directive	In accordance with EU Low Voltage Directive	
Certification		CCC	-	CCC	
<b>Materials</b>					
Housing		Die-cast aluminium, polyamide	Die-cast zinc	Die-cast aluminium, polyamide	

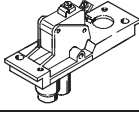
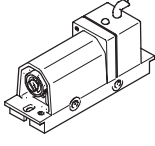
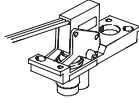
# PE converters PE/PEN/VPE

Technical data



Sensors  
Sensors for pressure and vacuum

1.2

Ordering data				
	Operating pressure [bar]	Electrical connection	Part No.	Type
	0 ... 8	Screw terminal	7 860	PE-1/8-2N
		3 wires	7 862	PE-1/8-2N-SW
	-1 ... +8	Cable, 3-wire	8 625	PEN-M5
	-0.95 ... 0	Screw terminal	12 594	VPE-1/8-2N
		3 wires	12 595	VPE-1/8-2N-SW

# Product Range and Company Overview

## A Complete Suite of Automation Services

Our experienced engineers provide complete support at every stage of your development process, including: conceptualization, analysis, engineering, design, assembly, documentation, validation, and production.



**Custom Automation Components**  
Complete custom engineered solutions



**Custom Control Cabinets**  
Comprehensive engineering support and on-site services



**Complete Systems**  
Shipment, stocking and storage services

## The Broadest Range of Automation Components

With a comprehensive line of more than 30,000 automation components, Festo is capable of solving the most complex automation requirements.



**Electromechanical**  
Electromechanical actuators, motors, controllers & drives



**Pneumatics**  
Pneumatic linear and rotary actuators, valves, and air supply



**PLCs and I/O Devices**  
PLC's, operator interfaces, sensors and I/O devices

## Supporting Advanced Automation... As No One Else Can!

Festo is a leading global manufacturer of pneumatic and electromechanical systems, components and controls for industrial automation, with more than 12,000 employees in 56 national headquarters serving more than 180 countries. For more than 80 years, Festo has continuously elevated the state of manufacturing with innovations and optimized motion control solutions that deliver higher performing, more profitable automated manufacturing and processing equipment. Our dedication to the advancement of automation extends beyond technology to the education and development of current and future automation and robotics designers with simulation tools, teaching programs, and on-site services.

## Quality Assurance, ISO 9001 and ISO 14001 Certifications

Festo Corporation is committed to supply all Festo products and services that will meet or exceed our customers' requirements in product quality, delivery, customer service and satisfaction.

To meet this commitment, we strive to ensure a consistent, integrated, and systematic approach to management that will meet or exceed the requirements of the ISO 9001 standard for Quality Management and the ISO 14001 standard for Environmental Management.



© Copyright 2008, Festo Corporation. While every effort is made to ensure that all dimensions and specifications are correct, Festo cannot guarantee that publications are completely free of any error, in particular typing or printing errors. Accordingly, Festo cannot be held responsible for the same. For Liability and Warranty conditions, refer to our "Terms and Conditions of Sale", available from your local Festo office. All rights reserved. No part of this publication may be reproduced, distributed, or transmitted in any form or by any means, electronic, mechanical, photocopying or otherwise, without the prior written permission of Festo. All technical data subject to change according to technical update.



Printed on recycled paper at New Horizon Graphic, Inc., FSC certified as an environmentally friendly printing plant.

# Festo North America

## United States

**Customer Resource Center**  
502 Earth City Expy., Suite 125  
Earth City, MO 63045

For ordering assistance, or to find  
your nearest Festo Distributor,

**Call:** 1.800.99.FESTO

**Fax:** 1.800.96.FESTO

**Email:** customer.service@us.festo.com

For technical support,

**Call:** 1.866.GO.FESTO

**Fax:** 1.800.96.FESTO

**Email:** product.support@us.festo.com

### Headquarters

Festo Corporation  
395 Moreland Road  
P.O. Box 18023  
Hauppauge, NY 11788  
[www.festo.com/us](http://www.festo.com/us)

---

### Sales Offices

#### Appleton

N. 922 Tower View Drive, Suite N  
Greenville, WI 54942

#### Boston

120 Presidential Way, Suite 330  
Woburn, MA 01801

#### Chicago

1441 East Business Center Drive  
Mt. Prospect, IL 60056

#### Dallas

1825 Lakeway Drive, Suite 600  
Lewisville, TX 75057

#### Detroit - Automotive Engineering Center

2601 Cambridge Court, Suite 320  
Auburn Hills, MI 48326

#### New York

395 Moreland Road  
Hauppauge, NY 11788

#### Silicon Valley

4935 Southfront Road, Suite F  
Livermore, CA 94550

## Design and Manufacturing Operations



**East:** 395 Moreland Road, Hauppauge, NY 11788



**Central:** 1441 East Business Center Drive, Mt. Prospect, IL 60056



**West:** 4935 Southfront Road, Suite F, Livermore, CA 94550

---

## Mexico

### Headquarters

Festo Pneumatic, S.A.  
Av. Ceylán 3, Col. Tequesquahuac  
54020 Tlalnepantla, Edo. de México  
**Call:** 011 52 [55] 53 21 66 00  
**Fax:** 011 52 [55] 53 21 66 65  
**Email:** festo.mexico@mx.festo.com  
[www.festo.com/mx](http://www.festo.com/mx)



## Canada

### Headquarters

Festo Inc.  
5300 Explorer Drive  
Mississauga, Ontario L4W 5G4  
**Call:** 1.905.624.9000  
**Fax:** 1.905.624.9001  
**Email:** info.ca@ca.festo.com  
[www.festo.com/ca](http://www.festo.com/ca)



---

## Festo Worldwide

Argentina Australia Austria Belarus Belgium Brazil Bulgaria Canada Chile China Colombia Croatia Czech Republic Denmark  
Estonia Finland France Germany Great Britain Greece Hong Kong Hungary India Indonesia Iran Ireland Israel Italy Japan  
Latvia Lithuania Malaysia Mexico Netherlands New Zealand Norway Peru Philippines Poland Romania Russia Serbia Singapore  
Slovakia Slovenia South Africa South Korea Spain Sweden Switzerland Taiwan Thailand Turkey Ukraine United States Venezuela

[www.festo.com](http://www.festo.com)