

Cartridges QSP, NPT

FESTO



Technical data

General technical data	
Size	Mini Standard
Design	Push-pull principle
Mounting position	Any
Operating and environmental conditions	
Operating pressure for entire temperature range [bar]	-0.95 ... +10
Operating medium	Compressed air to ISO 8573-1:2010 [7:-:-]
Note on the operating/pilot medium	Lubricated operation possible
Ambient temperature [°C]	-5 ... +60
Corrosion resistance class CRC ¹⁾	1

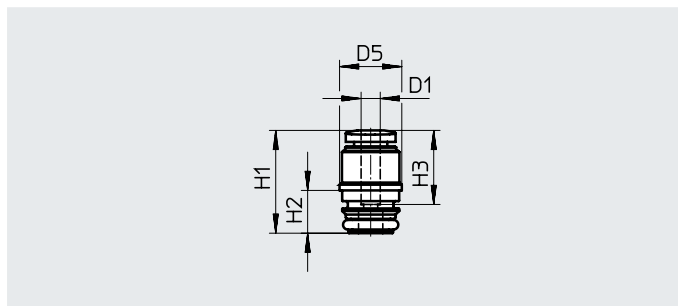
1) Corrosion resistance class CRC 1 to Festo standard FN 940070

Low corrosion stress. Dry indoor application or transport and storage protection. Also applies to parts behind covers, in the non-visible interior area, and parts which are covered in the application (e.g. drive trunnions).

Materials	
Housing	PA-reinforced
Releasing ring	POM (colour: grey)
Tube clamping segment	High-alloy stainless steel
Tubing seal	NBR
Note on materials	RoHS-compliant

Datasheet – Cartridge 10 mm

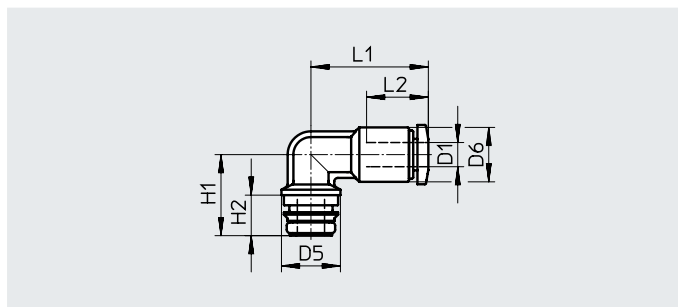
Cartridge QSPKG10



Pneumatic connection		Nominal width [mm]	D5 \varnothing	H1	H2	H3	Weight/ piece [g]	Part no.	Type	PU ¹⁾
Cartridge [mm]	For tubing O.D. D1									
10	1/8"	1.6	9.75	16.1	6.7	11.6	1.5	132852	QSPKG10-1/8-U	10
	5/32"	2.3	9.75	16.1	6.7	11.6	1.4	132624	QSPKG10-5/32-U	10
	1/4"	3.6	10.55	18.3	6.7	11.7	1.8	132626	QSPKG10-1/4-U	10

1) Packaging unit.

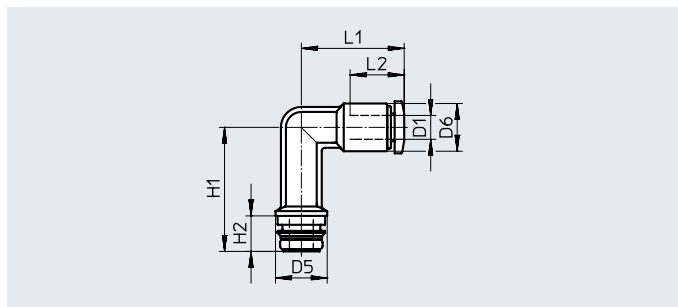
Cartridge QSPLKG10



Pneumatic connection		Nominal width [mm]	D5 \varnothing	D6 \varnothing	H1	H2	L1	L2	Weight/ piece [g]	Part no.	Type	PU ¹⁾
Cartridge [mm]	For tubing O.D. D1											
10	1/8"	1.8	9.75	9.4	13.7	6.7	18.2	11.6	2.1	132854	QSPLKG10-1/8-U	10
	1/4"	3.3	9.75	10.55	14.4	6.7	20.0	11.7	2.6	132924	QSPLKG10-1/4-U	10

1) Packaging unit.

Cartridge QSPLLKG10

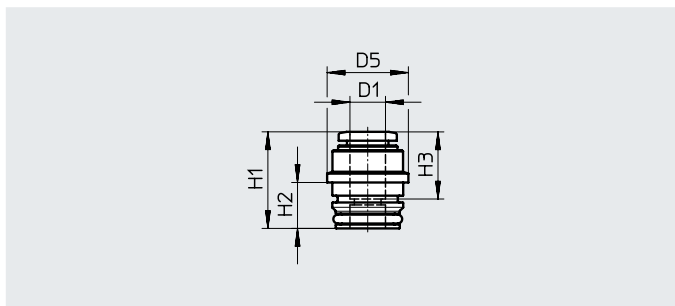


Pneumatic connection		Nominal width [mm]	D5 \varnothing	D6 \varnothing	H1	H2	L1	L1	Weight/ piece [g]	Part no.	Type	PU ¹⁾
Cartridge [mm]	For tubing O.D. D1											
10	1/8"	1.8	9.75	9.4	23.4	6.7	18.2	11.6	2.5	132862	QSPLLKG10-1/8-U	10
	1/4"	3.3	9.75	10.55	26.4	6.7	20.0	11.7	3.2	132929	QSPLLKG10-1/4-U	10

1) Packaging unit.

Datasheet – Cartridge 14 mm

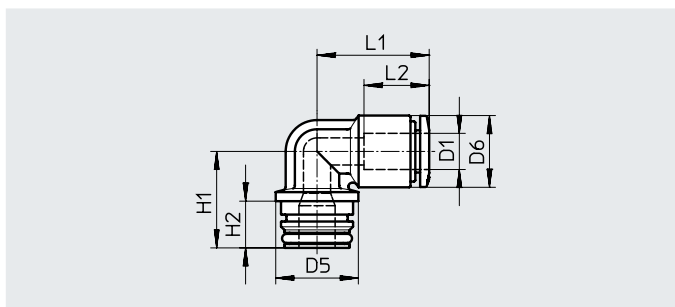
Cartridge QSPKG14



Pneumatic connection		Nominal width [mm]	D5 ø	H1	H2	H3	Weight/ piece [g]	Part no.	Type	PU ¹⁾
Cartridge [mm]	For tubing O.D. D1									
14	1/4"	3.9	13.7	16.7	7.75	11.7	2.3	132932	QSPKG14-1/4-U	10
	5/16"	5.2	14.6	25.2	7.75	18.1	5.3	132933	QSPKG14-5/16-U	10

1) Packaging unit.

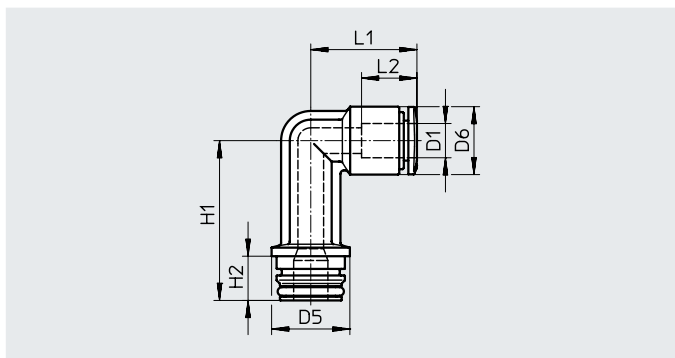
Cartridge QSPLK14



Pneumatic connection		Nominal width [mm]	D5 ø	D6 ø	H1	H2	L1	L2	Weight/ piece [g]	Part no.	Type	PU ¹⁾
Cartridge [mm]	For tubing O.D. D1											
14	1/4"	3.5	13.7	11.9	16.0	7.75	19.0	11.7	3.4	132940	QSPLK14-1/4-U	10
	5/16"	4.8	13.7	14.6	17.8	7.75	28.2	18.1	7.1	132941	QSPLK14-5/16-U	10

1) Packaging unit.

Cartridge QSPLLK14

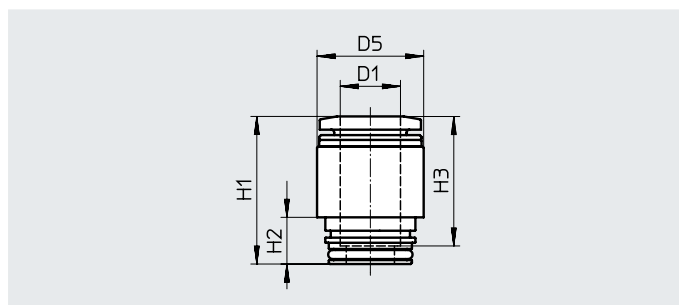
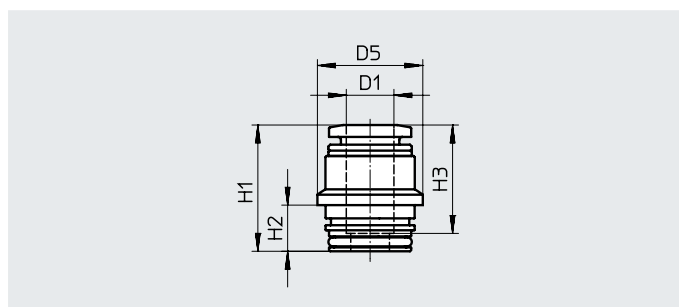
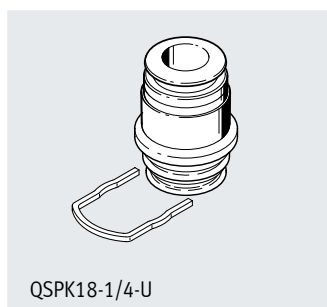


Pneumatic connection		Nominal width [mm]	D5 ø	D6 ø	H1	H2	L1	L2	Weight/ piece [g]	Part no.	Type	PU ¹⁾
Cartridge [mm]	For tubing O.D. D1											
14	1/4"	3.4	13.7	11.9	28.0	7.75	19.0	11.7	3.9	132944	QSPLLK14-1/4-U	10
	5/16"	4.7	13.7	14.6	33.3	7.75	28.2	18.1	8.1	132945	QSPLLK14-5/16-U	10

1) Packaging unit.

Datasheet – Cartridge 18 mm

Cartridge QSPK18

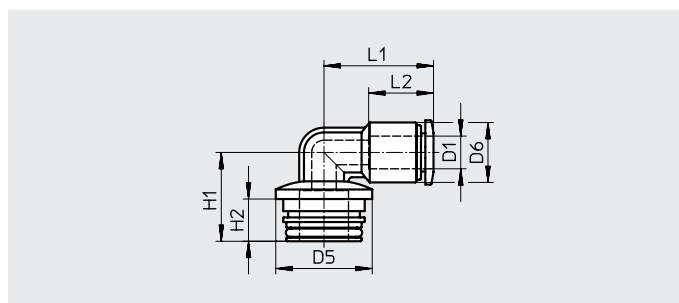
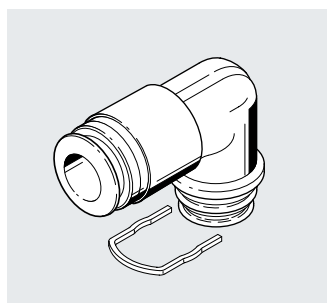


Dimensions and ordering data

Pneumatic connection		Nominal width [mm]	D5 ∅	H1	H2	H3	Weight/ piece [g]	Part no.	Type	PU ¹⁾
Cartridge [mm]	For tubing O.D. D1									
18	1/4"	3.8	17.7	13.9	7.75	11.7	2.9	132172	QSPK18-1/4-U	10
	3/8"	6.7	17.7	24.5	7.75	20.2	8.2	132174	QSPK18-3/8-U	10

1) Packaging unit.

Cartridge QSPLK18



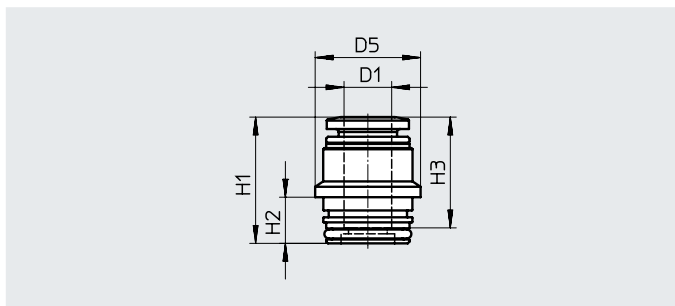
Dimensions and ordering data

Pneumatic connection		Nominal width [mm]	D5 ∅	D6 ∅	H1	H2	L1	L2	Weight/ piece [g]	Part no.	Type	PU ¹⁾
Cartridge [mm]	For tubing O.D. D1											
18	1/4"	3.6	17.7	12	16.3	7.75	20.5	11.7	3.8	132176	QSPLK18-1/4-U	10
	3/8"	6.5	17.7	17.7	19.6	7.75	29.5	20.2	10.9	132641	QSPLK18-3/8-U	10

1) Packaging unit.

Datasheet – Cartridge 18 mm

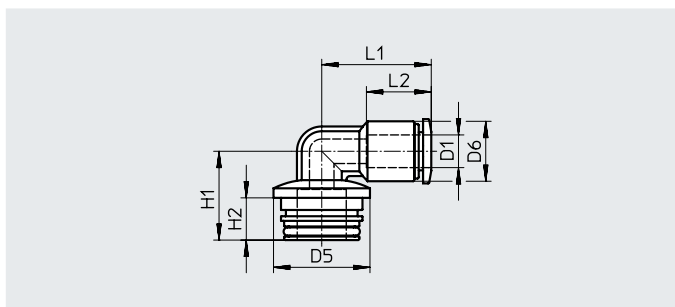
Cartridge QSPKG18



Pneumatic connection		Nominal width [mm]	D5 ø	H1	H2	H3	Weight/ piece [g]	Part no.	Type	PU ¹⁾
Cartridge [mm]	For tubing O.D. D1									
18	5/16"	5.5	17.7	20.7	7.75	18.2	5.4	132651	QSPKG18-5/16-U	10
	3/8"	6.7	17.7	24.5	7.75	20.2	8.1	132652	QSPKG18-3/8-U	10

1) Packaging unit.

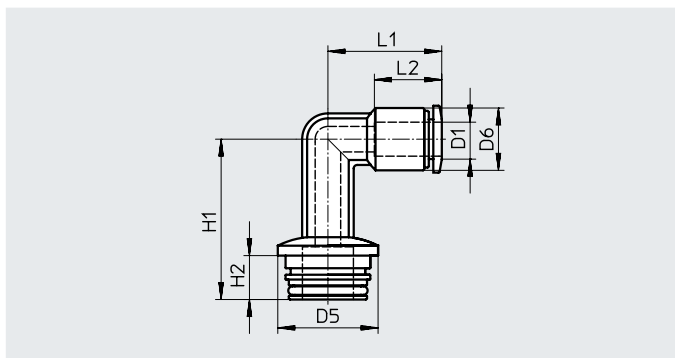
Cartridge QSPLK18



Pneumatic connection		Nominal width [mm]	D5 ø	D6 ø	H1	H2	L1	L2	Weight/ piece [g]	Part no.	Type	PU ¹⁾
Cartridge [mm]	For tubing O.D. D1											
18	5/16"	5.2	17.7	15	18.3	7.5	27.2	18.2	7.5	132948	QSPLK18-5/16-U	10
	3/8"	6.5	17.7	17.7	19.6	7.5	29.5	20.2	10.9	132949	QSPLK18-3/8-U	10

1) Packaging unit.

Cartridge QSPLLK18

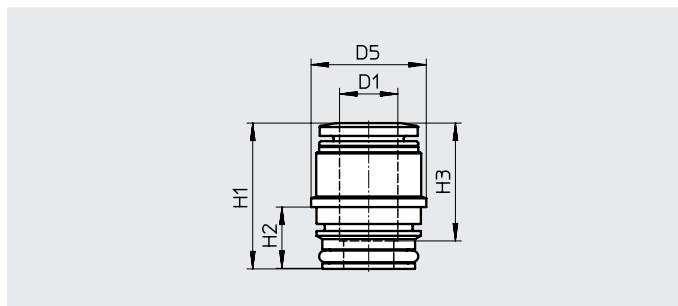


Pneumatic connection		Nominal width [mm]	D5 ø	D6 ø	H1	H2	L1	L2	Weight/ piece [g]	Part no.	Type	PU ¹⁾
Cartridge [mm]	For tubing O.D. D1											
18	5/16"	5.2	17.7	15	34.3	7.75	27.2	18.2	8.1	132952	QSPLLK18-5/16-U	10
	3/8"	6.2	17.7	17.7	38.3	7.75	29.2	20.2	12.2	132953	QSPLLK18-3/8-U	10

1) Packaging unit.

Datasheet – Cartridge 20 mm

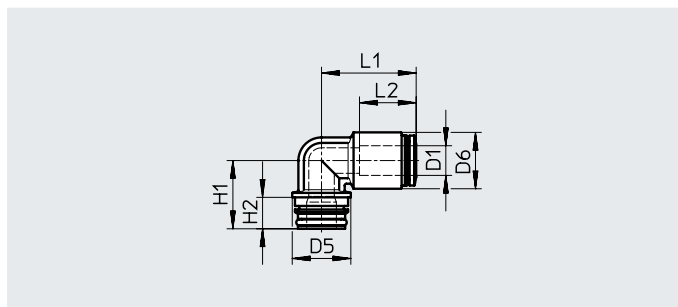
Cartridge QSPKG20



Pneumatic connection		Nominal width [mm]	D5 \varnothing	H1	H2	H3	Weight/ piece [g]	Part no.	Type	PU ¹⁾
Cartridge [mm]	For tubing O.D. D1									
20	5/16"	5.4	19.75	19.1	10.6	18.2	6	132636	QSPKG20-5/16-U	10
	3/8"	6.4	19.75	25	10.6	20.2	9.2	132637	QSPKG20-3/8-U	10
	1/2"	8.5	21.1	33	10.6	23.7	13	132638	QSPKG20-1/2-U	10

1) Packaging unit.

Cartridge QSPLK20



Pneumatic connection		Nominal width [mm]	D5 \varnothing	D6 \varnothing	H1	H2	L1	L2	Weight/ piece [g]	Part no.	Type	PU ¹⁾
Cartridge [mm]	For tubing O.D. D1											
20	3/8"	5.7	19.75	19.0	23.0	10.6	32.0	20.2	14	132859	QSPLK20-3/8-U	10
	1/2"	7.8	19.75	21.1	24.0	10.6	36.5	23.7	17	132860	QSPLK20-1/2-U	10

1) Packaging unit.