

Cylinders with clamping unit, standard hole pattern

FESTO



Characteristics

At a glance

Clamping units are generally used for the frictional locking of longitudinally adjustable rods at any position. The piston rod can be clamped by attaching a clamping unit to a pneumatic cylinder. The clamping unit is designed

to securely lock the piston rod so that the application of external force on the piston rod does not produce any relative motion. The piston rod can be locked at any position in the stroke, as well as in the end positions and in intermediate positions.

- The clamping force is released when compressed air is supplied to the clamping unit
- Static holding force to 8000 N
- The cylinders comply with ISO 15552 (DIN ISO 6431), except in terms of installation length

Selection aid

Cylinder with clamping unit DNCKE

Page 6



- For use as a holding device (static application):
 - Holding and clamping in the event of power failure
 - Protection against pressure failure and pressure drop
 - Secures the piston rod at intermediate stops so that process tasks can be carried out
- Wide selection of mounting options

Cylinder with clamping unit DNCKE-S, for safety-related applications

Page 9



- Pneumatic braking/holding device for use in safety-related parts of control systems. The clamping unit is not a complete safety solution. It can be used as part of a solution.
- For use as a holding device (static application):
 - Holding and clamping in the event of power failure
 - Protection against pressure failure and pressure drop
 - Holding the piston rod at intermediate stops so that process tasks can be carried out
- For use as a braking device (dynamic application):
 - Braking or stopping a movement
 - Interrupting a movement if a danger area is entered
- Holding force of the clamp is greater than the cylinder's max. permissible feed force
- Suitable for use in safety-oriented parts of control systems belonging to category 1 to EN ISO 13849-1 (well-tried component). Additional control measures are required for use in higher categories.
- When used as a braking device, the overtravel must be checked regularly
- Products intended for use in safety-related applications must be selected, sized and arranged in accordance with valid standards and regulations.

Type codes

001	Series
DNCKE	Cylinder with clamping unit, double-acting, standard hole pattern

002	Piston diameter
40	40
63	63
100	100

003	Stroke
...	10 ... 2000

004	Cushioning
PPV	Pneumatic cushioning, adjustable at both ends

005	Position sensing
A	For proximity sensor

006	Certification
	None
S	Safety device to Machinery Directive 2006/42/EC

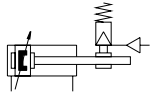
Peripherals overview



Mounting components and accessories		Description	DNCKE	DNCKE-S	→ Page/Internet
[1]	Foot mounting HNC	For bearing or end caps	■	■	14
[2]	Flange mounting FNC	For bearing or end caps	■	■	14
[3]	Trunnion flange ZNCF	For bearing or end caps	■	–	15
[4]	Trunnion support LNZG	For trunnion flange ZNCF	■	–	16
[5]	Swivel flange SNC	For end caps	■	–	16
[6]	Clevis foot LSNG	With spherical bearing	■	–	18
[7]	Clevis foot LSNSG	Weld-on, with spherical bearing	■	–	18
[8]	Swivel flange SNCS	With spherical bearing for end caps	■	–	17
[9]	Clevis foot LBG	For swivel flange SNCS	■	–	18
[10]	Swivel flange SNCL	For end caps	■	–	18
[11]	Swivel flange SNCB	For end caps	■	–	17
[12]	Clevis foot LNG	For swivel flange SNCB	■	–	18
[13]	Clevis foot LSN	With spherical bearing	■	–	18
[14]	Trunnion flange kit DAMT	For mounting anywhere along the cylinder profile barrel	■	–	15
[15]	Rod eye SGS	With spherical bearing	■	–	19
[16]	Right-angle clevis foot LQG	For rod eye SGS	■	–	18
[17]	Rod clevis SGA	With male thread	■	–	19
[18]	Coupling piece KSG	For compensating radial deviations	■	–	19
[19]	Rod clevis SG	Permits a swivelling movement of the cylinder in one plane	■	–	19
[20]	Self-aligning rod coupler FK	For compensating radial and angular deviations	■	■	19
[21]	Guide unit FENG	For protecting standards-based cylinders against rotation at high torque loads	■	■	19
[22]	Proximity switch SME/SMT	Can be integrated in the cylinder profile barrel	■	■	20
[23]	Slot cover ABP-5-S	For protecting the sensor cable and the sensor slots from contamination	■	■	21
[24]	Mounting kit SMB-8-FENG	For attaching proximity switch SMT-8 to cylinders in combination with guide unit FENG	■	■	20
[25]	One-way flow control valve GRLA	To control the speed	■	■	21
[26]	Push-in fitting QS	For connecting compressed air tubing with standard O.D.	■	■	qs

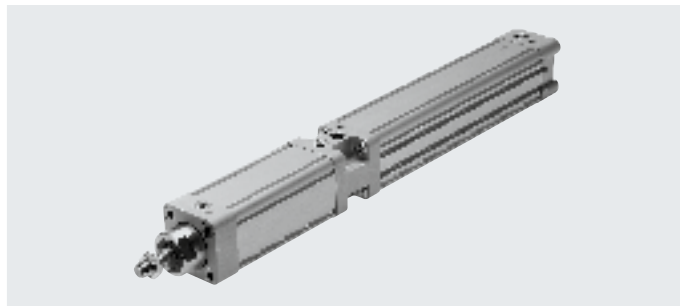
Cylinder with clamping unit DNCKE, standard hole pattern

Data sheet

Function



-  - Diameter
40, 63, 100 mm
-  - Stroke length
10 ... 2000 mm



- - Note

Additional measures are required for use in safety-related applications; in Europe, for example, the standards listed under the EC Machinery Directive must be observed. Without additional measures in accordance with legally specified minimum requirements, the product is not suitable as a safety relevant component in control systems.

General technical data

Piston diameter		40	63	100
Pneumatic connection	Cylinder	G1/4	G3/8	G1/2
	Clamping unit	G1/8	G1/4	G3/8
Piston rod thread		M12x1.25	M16x1.5	M20x1.5
Design	Piston			
	Piston rod			
	Cylinder barrel			
Cushioning		Adjustable at both ends		
Cushioning length	[mm]	20	22	32
Position sensing		Via proximity switch		
Type of mounting		With female thread		
		With accessories		
Type of clamping with active direction		At both ends		
		Clamping via spring force, released via compressed air		
Mounting position		Any		

- - Note

This product conforms to ISO 1179-1 and ISO 228-1.

Operating and environmental conditions

Piston diameter		40	63	100
Operating medium		Compressed air to ISO 8573-1:2010 [7:4:4]		
Note on the operating/pilot medium		Lubricated operation possible (in which case lubricated operation will always be required)		
Operating pressure	[bar]	0.6 ... 10		
Min. release pressure	[bar]	3.8		
Ambient temperature ¹⁾	[°C]	-20 ... +80		
ATEX		Selected types → www.festo.com		

1) Note operating range of proximity switches.

Weight [g]

Piston diameter		40	63	100
Basic weight with 0 mm stroke		2340	5485	18160
Additional weight per 10 mm stroke		45	73	110
Moving mass with 0 mm stroke		500	935	2150
Additional mass per 10 mm stroke		16	25	40

Data sheet

Forces [N]			
Piston diameter	40	63	100
Theoretical force at 6 bar, advancing	754	1870	4712
Theoretical force at 6 bar, retracting	633	1682	4418
Static holding force	1300	3200	8000

 Note

The specified holding force refers to a static load. If this value is exceeded, slippage may occur. Dynamic forces occurring during operation must not exceed the static holding force if slippage is to be avoided. The clamping unit is backlash-free in the clamped state when varying loads are applied to the piston rod. Lateral loads and bending moments on the round material can impair the function. (Make sure that the load on the round material is only in the direction of movement.)

Control:

The clamping unit may only be released when the forces on the piston have reached equilibrium. Otherwise there is a risk of accidents due to the sudden movement of the piston rod. Blocking off the compressed air supply at both ends (e.g. with a 5/3-way valve) does not provide any safety.

Impact energy [J]			
Piston diameter	40	63	100
Max. impact energy at end positions	0.7	1.3	3

Permissible impact velocity:

$$v = \sqrt{\frac{2 \cdot E}{m_1 + m_2}}$$

v Permissible impact velocity


E Max. impact energy

m₁ Moving mass (drive)

m₂ Moving payload

Maximum permissible mass:

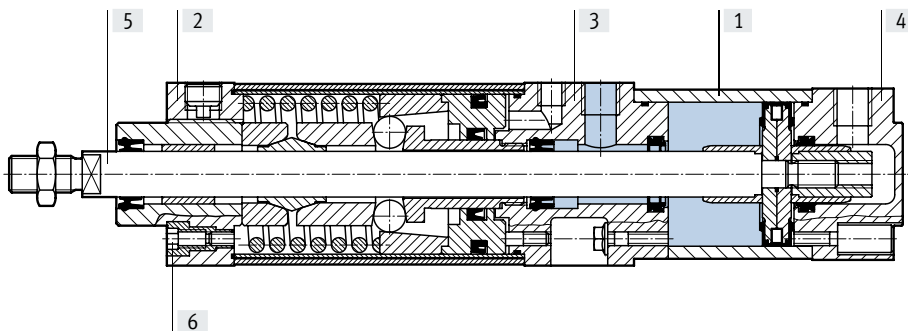
$$m_2 = \frac{2 \cdot E}{v^2} - m_1$$

 Note

These specifications represent the maximum values that can be achieved. Observe the maximum permissible impact energy.

Materials

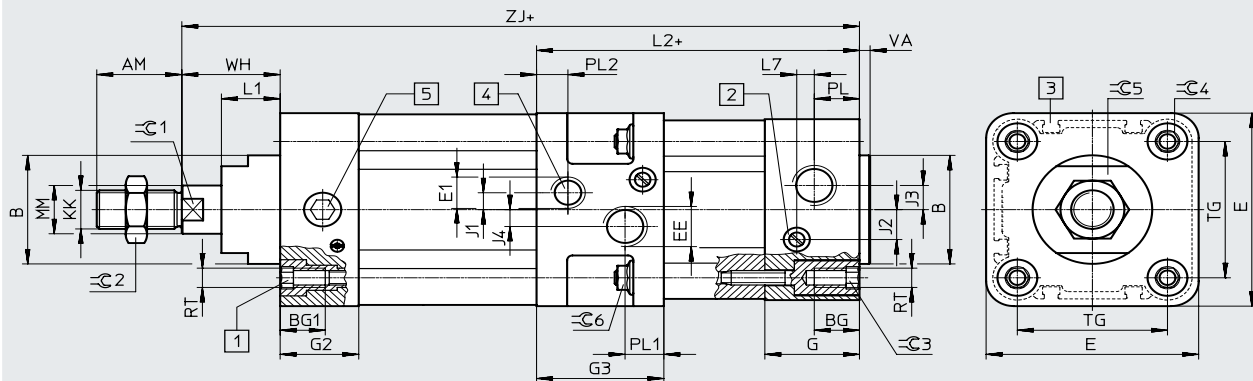
Sectional view



Cylinder		
[1] Housing		Wrought aluminium alloy
[2] Bearing cap		Wrought aluminium alloy
[3] Connection cap		Wrought aluminium alloy
[4] End cap		Die-cast aluminium
[5] Piston rod		Tempered steel
[6] Flange screws		Tempered steel
- Seals		TPE-U(PU), NBR

Data sheet

Dimensions Download CAD data → www.festo.com



- [1] Socket head screw with female thread for mounting components
 - [2] Adjusting screw for adjustable end-position cushioning
 - [3] Sensor slot for proximity switch
 - [4] Connection to release clamping function
 - [5] Locking screw
- + = plus stroke length

∅	AM	B ∅ d11	BG	BG1	E	EE	E1	G	G2	G3	J1
40	24	35	16	15	54	G1/4	G1/8	28.8	22	49.6	2
63	32	45	17	17	80	G3/8	G1/4	34.3	29.5	47.9	7
100	42	55	17	17	126	G1/2	G3/8	38	32.5	46.7	15

∅	J2	J3	J4	KK	L1	L2	L7	MM ∅	PL	PL1	PL2
40	8	6	0	M12x1.25	17.9	114.5	3.6	16	14	21.3	9
63	12.4	10	7	M16x1.5	22.1	121.5	6.6	20	17	14.6	11.8
100	12	10	10	M20x1.5	29.2	131.5	8	25	18.8	16.4	14.4

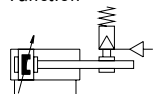
∅	RT	TG	VA	WH	ZJ	C1	C2	C3	C4	C5	C6
40	M6	38	4	30	277	13	19	6	6	30	8
63	M8	56.5	4	37	315	17	24	8	8	36	10
100	M10	89	4	51	408	22	30	6	10	41	13



Note: This product conforms to ISO 1179-1 and ISO 228-1.

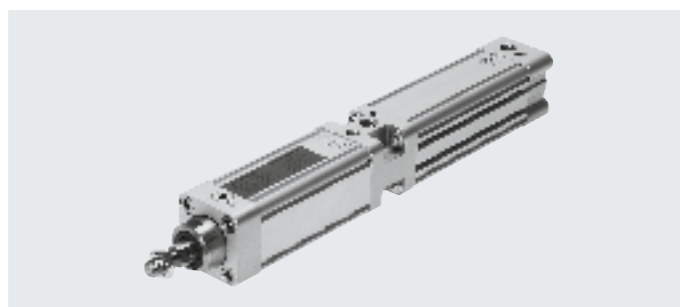
Ordering data		Part no.	Type
Piston diameter [mm]	Stroke [mm]		
40	10 ... 2000	526482	DNCKE-40-...-PPV-A
63	10 ... 2000	526483	DNCKE-63-...-PPV-A
100	10 ... 2000	526484	DNCKE-100-...-PPV-A

Data sheet

Function



-  Diameter
40, 63, 100 mm
-  Stroke length
10 ... 2000 mm



General technical data				
Piston diameter		40	63	100
Pneumatic connection	Cylinder	G1/4	G3/8	G1/2
	Clamping unit	G1/8	G1/4	G3/8
Piston rod thread		M12x1.25	M16x1.5	M20x1.5
Design		Piston		
		Piston rod		
		Cylinder barrel		
Cushioning		Adjustable at both ends		
Cushioning length	[mm]	20	22	32
Position sensing		Via proximity switch		
Type of mounting		With female thread		
		With accessories		
Type of clamping with active direction		At both ends		
		Clamping via spring force, released via compressed air		
Mounting position		Any		
Function		Single-channel to EN ISO 13849-1, category 1		
Safety function		Holding and stopping a movement		

† Note: This product conforms to ISO 1179-1 and ISO 228-1.

Operating and environmental conditions				
Piston diameter		40	63	100
Operating medium		Compressed air to ISO 8573-1:2010 [7:4:4]		
Note on the operating/pilot medium		Lubricated operation possible (in which case lubricated operation will always be required)		
Operating pressure	[bar]	0.6 ... 8		
Min. release pressure	[bar]	3.8		
Max. permissible test pressure	[bar]	10		
Ambient temperature ¹⁾	[°C]	-10 ... +60		

1) Note operating range of proximity switches

Weight [g]				
Piston diameter		40	63	100
Basic weight with 0 mm stroke		2340	5485	18160
Additional weight per 10 mm stroke		45	73	110
Moving mass with 0 mm stroke		500	935	2150
Additional mass per 10 mm stroke		16	25	40

Data sheet

Forces [N]			
Piston diameter	40	63	100
Theoretical force at 6 bar, advancing	754	1870	4712
Theoretical force at 6 bar, retracting	633	1682	4418
Static holding force	1300	3200	8000



Note

The specified holding force refers to a static load. If this value is exceeded, slippage may occur. Dynamic forces occurring during operation must not exceed the static holding force if slippage is to be avoided. The clamping unit is backlash-free in the clamped state when varying loads are applied to the piston rod. Lateral loads and bending moments on the round material can impair the function. (Make sure that the load on the round material is only in the direction of movement.)

Control:

The clamping unit may only be released when the forces on the piston have reached equilibrium. Otherwise there is a risk of accidents due to the sudden movement of the piston rod. Blocking off the compressed air supply at both ends (e.g. with a 5/3-way valve) does not provide any safety.

Data sheet

Theoretical overtravel s as a function of the piston speed v in a vertical mounting position

The overtravel is the distance that the piston rod covers between exhausting of the clamping unit and coming to a standstill. It must be determined by the customer when the machine is being set up. When the clamping unit is used as a braking device, an increase in the overtravel as a function of the stress and the frequency of braking (wear) must be expected.

The clamping unit DNCKE-S can be

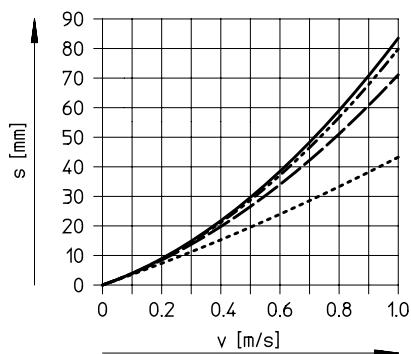
used in safety-related parts of control systems belonging to category 1 (well-tried component) as defined by EN ISO 13849-1. For use in categories higher than category 1 to EN ISO 13849-1, the overtravel must be achieved even in the event of faults. It is dependent on the ambient conditions and stress, e.g.:

- Operating pressure
- Nominal size of switching valve

- Cable length
- Diameter of the connecting cable to the clamping unit
- Load and speed

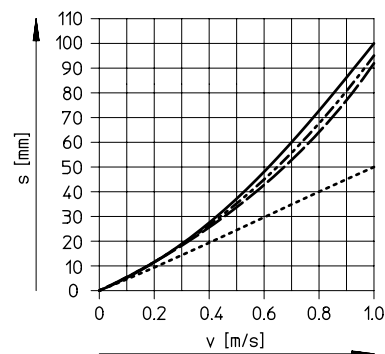
The overtravel can be reduced by attaching a quick exhaust valve to the compressed air supply port of the clamping unit.

∅ 40



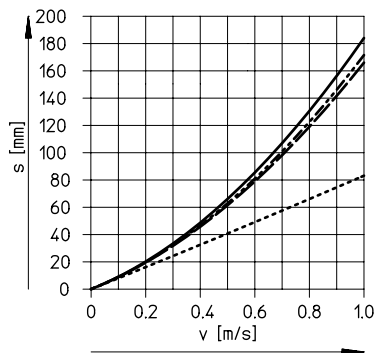
- 0.6 kg
- 10 kg
- · - · - · 27 kg
- 42 kg

∅ 63



- 1 kg
- 22 kg
- · - · - · 63 kg
- 102 kg

∅ 100



- 1.5 kg
- 20 kg
- · - · - · 100 kg
- 200 kg

Data sheet

Impact energy [J]			
Piston diameter	40	63	100
Max. impact energy at end positions	0.7	1.3	3

Permissible impact velocity:
$$v = \sqrt{\frac{2 \cdot E}{m_1 + m_2}}$$

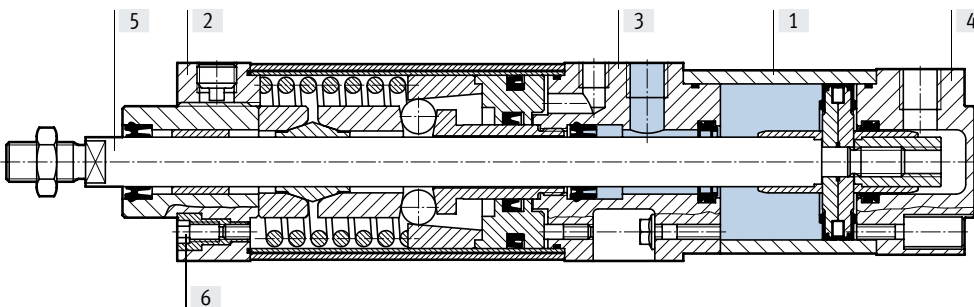
Maximum permissible mass:
$$m_2 = \frac{2 \cdot E}{v^2} - m_1$$

v Permissible impact velocity
 E Max. impact energy
 m₁ Moving mass (drive)
 m₂ Moving payload

Note
 These specifications represent the maximum values that can be achieved. Observe the maximum permissible impact energy.

Materials

Sectional view

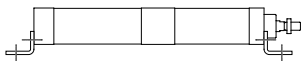


Cylinder		
[1] Housing		Wrought aluminium alloy
[2] Bearing cap		Wrought aluminium alloy
[3] Connection cap		Wrought aluminium alloy
[4] End cap		Die-cast aluminium
[5] Piston rod		Tempered steel
[6] Flange screws		Tempered steel
- Seals		TPE-U(PU), NBR

Recommendation for mounting

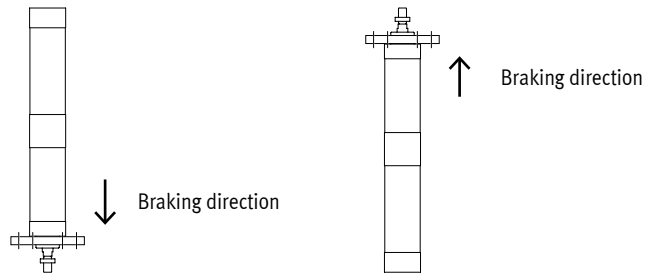
As holding device, horizontal installation

With foot mounting HNC



As braking device, vertical installation

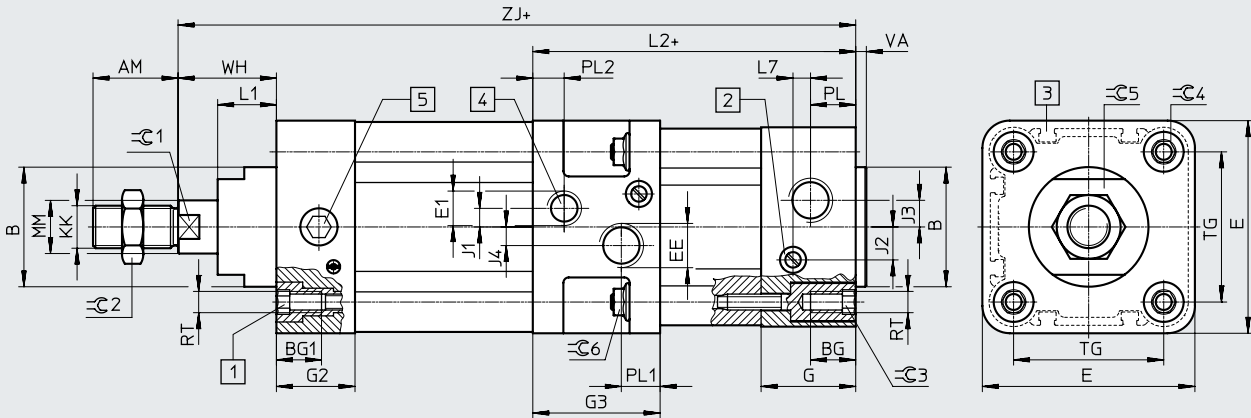
With flange mounting FNC (note braking direction)



Data sheet

Dimensions

Download CAD data → www.festo.com



- [1] Socket head screw with female thread for mounting components
 - [2] Adjusting screw for adjustable end-position cushioning
 - [3] Sensor slot for proximity switch
 - [4] Connection to release clamping function
 - [5] Locking screw
- + = plus stroke length

∅	AM	B ∅ d11	BG	BG1	E	EE	E1	G	G2	G3	J1
40	24	35	16	15	54	G1/4	G1/8	28.8	22	49.6	2
63	32	45	17	17	80	G3/8	G1/4	34.3	29.5	47.9	7
100	42	55	17	17	126	G1/2	G3/8	38	32.5	46.7	15

∅	J2	J3	J4	KK	L1	L2	L7	MM ∅	PL	PL1	PL2
40	8	6	0	M12x1.25	17.9	114.5	3.6	16	14	21.3	9
63	12.4	10	7	M16x1.5	22.1	121.5	6.6	20	17	14.6	11.8
100	12	10	10	M20x1.5	29.2	131.5	8	25	18.8	16.4	14.4

∅	RT	TG	VA	WH	ZJ	∅C1	∅C2	∅C3	∅C4	∅C5	∅C6
40	M6	38	4	30	277	13	19	6	6	30	8
63	M8	56.5	4	37	315	17	24	8	8	36	10
100	M10	89	4	51	408	22	30	6	10	41	13

Note: This product conforms to ISO 1179-1 and ISO 228-1.

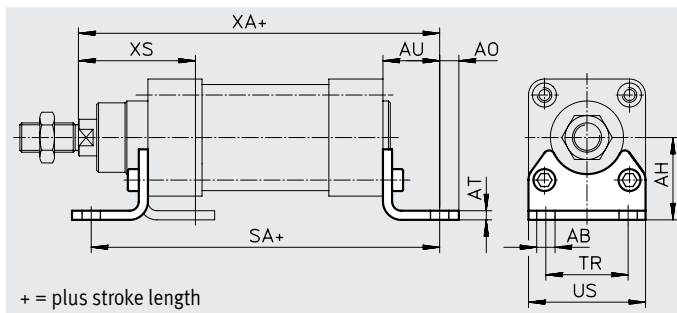
Ordering data

Piston diameter [mm]	Stroke [mm]	Part no.	Type
40	10 ... 2000	538239	DNCKE-40-...-PPV-A-S
63	10 ... 2000	538240	DNCKE-63-...-PPV-A-S
100	10 ... 2000	538241	DNCKE-100-...-PPV-A-S

Accessories

Foot mounting HNC

Material:
Galvanised steel
Free of copper and PTFE



Dimensions and ordering data

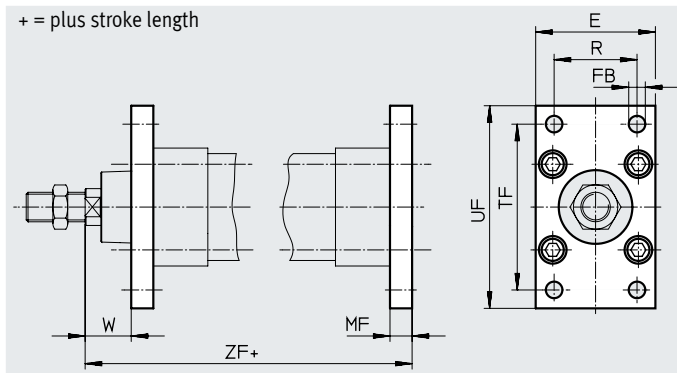
For diam.	AB ∅	AH	AO	AT	AU	SA	TR	US	XA	XS	CRC ¹⁾	Weight [g]	Part no.	Type
40	10	36	9	4	28	303	36	54	305	53	2	193	174370	HNC-40
63	10	50	12.5	5	32	342	50	75	347	63	2	436	174372	HNC-63
100	14.5	71	17.5	6	41	439	75	110	449	86	2	1009	174374	HNC-100

1) Corrosion resistance class CRC 2 to Festo standard FN 940070

Moderate corrosion stress. Indoor applications in which condensation can occur. External visible parts with primarily decorative surface requirements which are in direct contact with a normal industrial environment.

Flange mounting FNC

Material:
Galvanised steel
Free of copper and PTFE
RoHS-compliant



Dimensions and ordering data

For diam.	E	FB ∅ H13	MF	R	TF	UF	W	ZF	CRC ¹⁾	Weight [g]	Part no.	Type
40	54	9	10	36	72	90	20	287	1	291	174377	FNC-40
63	75	9	12	50	100	120	25	327	1	679	174379	FNC-63
100	110	14	16	75	150	175	35	424	1	2041	174381	FNC-100

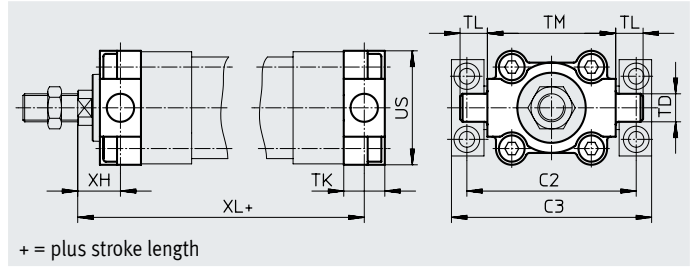
1) Corrosion resistance class CRC 1 to Festo standard FN 940070

Low corrosion stress. Dry internal application or transport and storage protection. Also applies to parts behind coverings, in the non-visible interior area, and parts which are covered in the application (e.g. drive trunnions).

Accessories

Trunnion flange ZNCF

Material:
Stainless steel casting
Free of copper and PTFE
RoHS-compliant



+ = plus stroke length

Dimensions and ordering data													
For diam.	C2	C3	TD ∅ e9	TK	TL	TM	US	XH	XL	CRC ¹⁾	Weight [g]	Part no.	Type
[mm]													
40	87	105	16	20	16	63	54	20	287	2	285	174412	ZNCF-40
63	116	136	20	24	20	90	75	25	327	2	687	174414	ZNCF-63
100	164	189	25	38	25	132	110	32	427	2	2254	174416	ZNCF-100

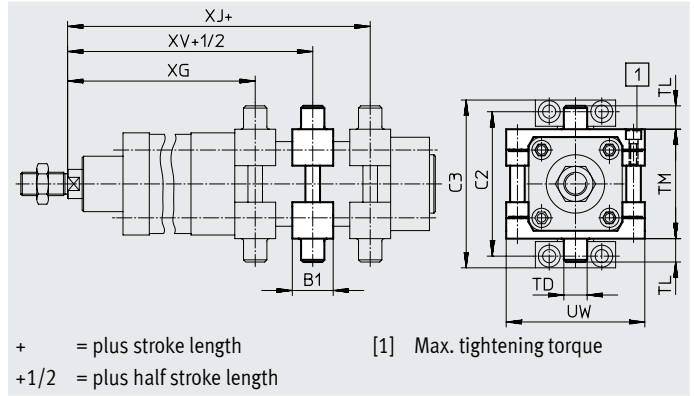
1) Corrosion resistance class CRC 2 to Festo standard FN 940070

Moderate corrosion stress. Indoor applications in which condensation can occur. External visible parts with primarily decorative surface requirements which are in direct contact with a normal industrial environment.

Trunnion flange kit DAMT

The kit can be attached at any position along the profile barrel of the cylinder.

Material:
Galvanised steel
Free of copper and PTFE
RoHS-compliant



+ = plus stroke length

+1/2 = plus half stroke length

[1] Max. tightening torque

Dimensions and ordering data							
For diam.	B1	C2	C3	TD ∅ e9	TL	TM	UW
[mm]							
40	32	87	105	16	16	63	75
63	41	116	136	20	20	90	105
100	48	164	189	25	25	132	145

For diam.	XG	XJ	XV	Max. tightening torque [Nm]	CRC ¹⁾	Weight [g]	Part no.	Type
[mm]								
40	228.1	232.2	230.2	8+1	1	388	2214899	DAMT-V1-40-A
63	261.9	260.2	261	18+2	1	911	2214971	DAMT-V1-63-A
100	347.2	346	346.6	28+2	1	2095	163530	DAMT-V1-100-A

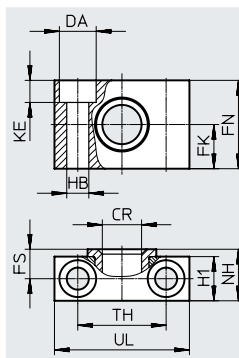
1) Corrosion resistance class CRC 1 to Festo standard FN 940070

Low corrosion stress. Dry internal application or transport and storage protection. Also applies to parts behind coverings, in the non-visible interior area, and parts which are covered in the application (e.g. drive trunnions).

Accessories

Trunnion support LNZG

Material:
Trunnion support: Anodised aluminium
Plain bearing: Plastic
Free of copper and PTFE
RoHS-compliant



Dimensions and ordering data

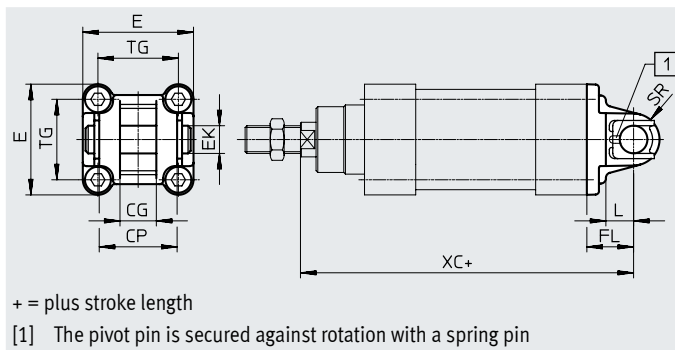
For diam.	CR	DA	FK	FN	FS	H1	HB	KE	NH	TH	UL	CRC ¹⁾	Weight	Part no.	Type
[mm]	∅	∅	∅				∅			±0.2			[g]		
40	16	15	18	36	12	18	9	9	21	36	55	2	129	32960	LNZG-4 0/50
63	20	18	20	40	13	20	11	11	23	42	65	2	178	32961	LNZG-6 3/80
100	25	20	25	50	16	24.5	14	13	28.5	50	75	2	306	32962	LNZG-10 0/125

1) Corrosion resistance class CRC 2 to Festo standard FN 940070

Moderate corrosion stress. Indoor applications in which condensation can occur. External visible parts with primarily decorative surface requirements which are in direct contact with a normal industrial environment.

Swivel flange SNC

Material:
Die-cast aluminium
Free of copper and PTFE
RoHS-compliant



Dimensions and ordering data

For diam.	CG	CP	E	EK	FL	L	SR	TG	XC	CRC ¹⁾	Weight	Part no.	Type
[mm]	H14	h14		∅	±0.2						[g]		
40	16	40	54 _{±0.5}	12	25	16	12	38	302	1	140	174384	SNC-40
63	21	51	75 _{±0.6}	16	32	21	16	56.5	347	1	331	174386	SNC-63
100	25	75	110 _{+0.3/-0.8}	20	41	27	20	89	449	1	865	174388	SNC-100

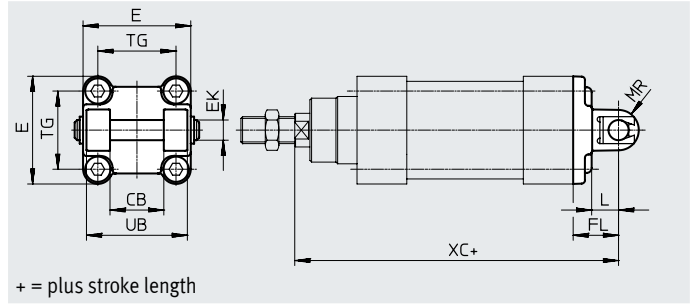
1) Corrosion resistance class CRC 1 to Festo standard FN 940070

Low corrosion stress. Dry internal application or transport and storage protection. Also applies to parts behind coverings, in the non-visible interior area, and parts which are covered in the application (e.g. drive trunnions).

Accessories

Swivel flange SNCB

Material:
Die-cast aluminium
Free of copper and PTFE
RoHS-compliant



Dimensions and ordering data

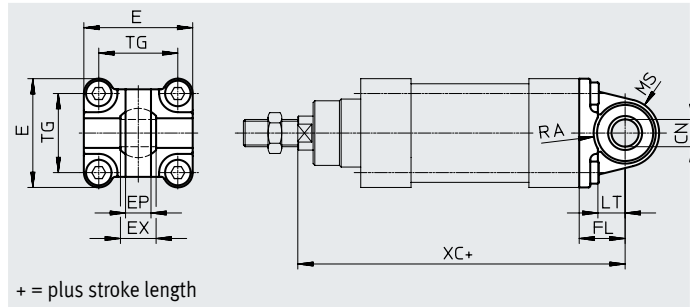
For diam.	CB	E	EK ∅	FL	L	MR	TG	UB	XC	CRC ¹⁾	Weight [g]	Part no.	Type
[mm]	H14		e8	±0.2				h14					
40	28	54 _{-0.5}	12	25	16	12	38	52	302	1	155	174391	SNCB-40
63	40	75 _{-0.6}	16	32	21	16	56.5	70	347	1	375	174393	SNCB-63
100	60	110 _{+0.3/-0.8}	20	41	27	20	89	110	449	1	1035	174395	SNCB-100

1) Corrosion resistance class CRC 1 to Festo standard FN 940070

Low corrosion stress. Dry internal application or transport and storage protection. Also applies to parts behind coverings, in the non-visible interior area, and parts which are covered in the application (e.g. drive trunnions).

Swivel flange SNCS

Material:
SNCS 40:
Die-cast aluminium
SNCS 63 ... 100:
Wrought aluminium alloy
Free of copper and PTFE
RoHS-compliant



Dimensions and ordering data

For diam.	CN ∅	E	EP	EX	FL	LT	MS	RA	TG	XC	CRC ¹⁾	Weight [g]	Part no.	Type
[mm]			±0.2		±0.2			+1						
40	12 _{+0.015}	54 _{-0.5}	12	16	25	16	17 _{+0.5}	17.5	38	302	1	122	174398	SNCS-40
63	16 _{+0.015}	74.5 _{±0.5}	15	21	32	21	23 _{-0.5}	23	56.5	347	2	281	174400	SNCS-63
100	20 _{+0.018}	109 _{+1/-0.7}	18	25	41	27	30 _{±0.5}	95	89	449	2	683	174402	SNCS-100

1) Corrosion resistance class CRC 1 to Festo standard FN 940070

Low corrosion stress. Dry internal application or transport and storage protection. Also applies to parts behind coverings, in the non-visible interior area, and parts which are covered in the application (e.g. drive trunnions).

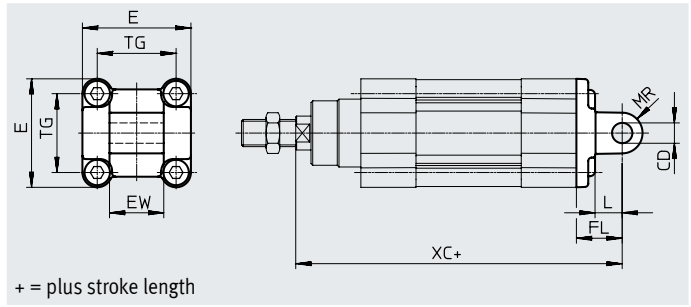
Corrosion resistance class CRC 2 to Festo standard FN 940070

Moderate corrosion stress. Indoor applications in which condensation can occur. External visible parts with primarily decorative surface requirements which are in direct contact with a normal industrial environment.

Accessories

Swivel flange SNCL

Material:
Die-cast aluminium
Free of copper and PTFE
RoHS-compliant






Dimensions and ordering data

For diam.	CD ∅	E	EW	FL	L	MR	TG	XC	CRC ¹⁾	Weight [g]	Part no.	Type
[mm]	H9		-0.2/-0.6	±0.2								
40	12	54 _{-0.5}	28	25	16	12	38	302	1	95	174405	SNCL-40
63	16	75 _{-0.6}	40	32	21	16	56.5	347	1	225	174407	SNCL-63
100	20	110 _{+0.3/-0.8}	60	41	27	20	89	449	1	606	174409	SNCL-100

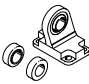

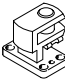
1) Corrosion resistance class CRC 1 to Festo standard FN 940070

Low corrosion stress. Dry internal application or transport and storage protection. Also applies to parts behind coverings, in the non-visible interior area, and parts which are covered in the application (e.g. drive trunnions).

Ordering data – Mounting attachments

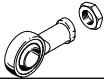
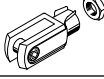
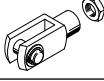
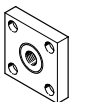
Designation	For diam.	Part no.	Type
Clevis foot LNG			
	40	33891	LNG-40
	63	33893	LNG-63
	100	33895	LNG-100
Clevis foot LSNG			
	40	31741	LSNG-40
	63	31743	LSNG-63
	100	31745	LSNG-100
Clevis foot LBG			
	40	31762	LBG-40
	63	31764	LBG-63
	100	31766	LBG-100

Data sheets → Internet: clevis foot

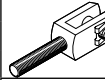
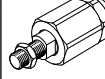
Designation	For diam.	Part no.	Type
Clevis foot LSN			
	40	5562	LSN-40
	63	5564	LSN-63
	100	5566	LSN-100
Clevis foot LSNSG			
	40	31748	LSNSG-40
	63	31750	LSNSG-63
	100	31752	LSNSG-100
Right-angle clevis foot LQG			
	40	31769	LQG-40
	63	31771	LQG-63
	100	31773	LQG-100

Accessories

Ordering data – Piston rod attachments

Designation	For diam.	Part no.	Type
Rod eye SGS			
	40	9262	SGS-M12x1.25
	63	9263	SGS-M16x1.5
	100	9264	SGS-M20x1.5
Rod clevis SG			
	40	6145	SG-M12x1.25
	63	6146	SG-M16x1.5
	100	6147	SG-M20x1.5
Coupling piece KSG			
	40	32964	KSG-M12x1.25
	63	32965	KSG-M16x1.5
	100	32966	KSG-M20x1.5

Data sheets → Internet: piston rod attachment

Designation	For diam.	Part no.	Type
Rod clevis SGA			
	40	10767	SGA-M12x1.25
	63	10768	SGA-M16x1.5
	100	10769	SGA-M20x1.5
Self-aligning rod coupler FK			
	40	6141	FK-M12x1.25
	63	6142	FK-M16x1.5
	100	6143	FK-M20x1.5

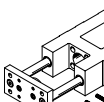
Ordering data – Guide units for fixed strokes (recirculating ball bearing guide only)

Stroke [mm]	Part no.	Type
For diam. 40 mm		
10 ... 50	34499	FENG-40-50-KF
10 ... 100	34500	FENG-40-100-KF
10 ... 160	34501	FENG-40-160-KF
10 ... 200	34502	FENG-40-200-KF
10 ... 250	34503	FENG-40-250-KF
10 ... 320	34504	FENG-40-320-KF
10 ... 400	150291	FENG-40-400-KF
10 ... 500	34505	FENG-40-500-KF
For diam. 100 mm		
10 ... 50	34529	FENG-100-50-KF
10 ... 100	34530	FENG-100-100-KF
10 ... 160	34531	FENG-100-160-KF
10 ... 200	34532	FENG-100-200-KF
10 ... 250	34533	FENG-100-250-KF
10 ... 320	34534	FENG-100-320-KF
10 ... 400	34535	FENG-100-400-KF
10 ... 500	34536	FENG-100-500-KF

Data sheets → Internet: feng

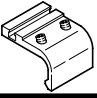
Stroke [mm]	Part no.	Type
For diam. 63 mm		
10 ... 50	34513	FENG-63-50-KF
10 ... 100	34514	FENG-63-100-KF
10 ... 160	34515	FENG-63-160-KF
10 ... 200	34516	FENG-63-200-KF
10 ... 250	34517	FENG-63-250-KF
10 ... 320	34518	FENG-63-320-KF
10 ... 400	34519	FENG-63-400-KF
10 ... 500	34520	FENG-63-500-KF

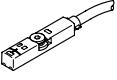
Ordering data – Guide units for variable strokes

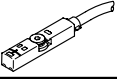
For diam. [mm]	Stroke [mm]	With recirculating ball bearing guide		With plain-bearing guide		
		Part no.	Type	Part no.	Type	
	40	10 ... 500	34488	FENG-40-...-KF	34482	FENG-40-...-GF
	63	10 ... 500	34490	FENG-63-...-KF	34484	FENG-63-...-GF
	100	10 ... 500	34492	FENG-100-...-KF	34486	FENG-100-...-GF

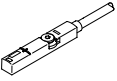
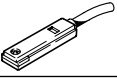
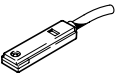
Data sheets → Internet: feng

Accessories

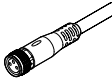
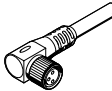
Ordering data – Mounting kits for proximity switches SMT-8			Data sheets → Internet: smb	
	For diam. [mm]	Part no.	Type	
	40	175705	SMB-8-FENG-3 2/40	
	63	175706	SMB-8-FENG-5 0/63	
	100	175707	SMB-8-FENG-8 0/100	

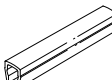
Ordering data – Proximity switches for T-slot, magneto-resistive						Data sheets → Internet: smt
	Type of mounting	Switching output	Electrical connection	Cable length [m]	Part no.	Type
N/O contact						
	Inserted in the slot from above, flush with the cylinder profile, short design	PNP	Cable, 3-wire	2.5	574335	SMT-8M-A-PS-24V-E-2,5-OE
			Plug M8x1, 3-pin	0.3	574334	SMT-8M-A-PS-24V-E-0.3-M8D
			Plug M12x1, 3-pin	0.3	574337	SMT-8M-A-PS-24V-E-0.3-M12
		NPN	Cable, 3-wire	2.5	574338	SMT-8M-A-NS-24V-E-2,5-OE
			Plug M8x1, 3-pin	0.3	574339	SMT-8M-A-NS-24V-E-0.3-M8D


N/C contact						
	Inserted in the slot from above, flush with the cylinder profile, short design	PNP	Cable, 3-wire	7.5	574340	SMT-8M-A-PO-24V-E-7.5-OE

Ordering data – Proximity switches for T-slot, magnetic reed						Data sheets → Internet: sme
	Type of mounting	Switching output	Electrical connection	Cable length [m]	Part no.	Type
N/O contact						
	Inserted in the slot from above, flush with the cylinder profile	Contacting	Cable, 3-wire	2.5	543862	SME-8M-DS-24V-K-2,5-OE
			Cable, 2-wire	5.0	543863	SME-8M-DS-24V-K-5.0-OE
			Plug M8x1, 3-pin	2.5	543872	SME-8M-ZS-24V-K-2,5-OE
			Plug M8x1, 3-pin	0.3	543861	SME-8M-DS-24V-K-0,3-M8D
	Inserted in the slot lengthwise, flush with the cylinder profile	Contacting	Cable, 3-wire	2.5	150855	SME-8-K-LED-24
			Plug M8x1, 3-pin	0.3	150857	SME-8-S-LED-24
N/C contact						
	Inserted in the slot lengthwise, flush with the cylinder profile	Contacting	Cable, 3-wire	7.5	160251	SME-8-O-K-LED-24

Accessories

Ordering data – Connecting cables					Data sheets → Internet: nebu
	Electrical connection, left	Electrical connection, right	Cable length [m]	Part no.	Type
	Straight socket, M8x1, 3-pin	Cable, open end, 3-wire	2.5	541333	NEBU-M8G3-K-2.5-LE3
			5	541334	NEBU-M8G3-K-5-LE3
	Straight socket, M12x1, 5-pin	Cable, open end, 3-wire	2.5	541363	NEBU-M12G5-K-2.5-LE3
			5	541364	NEBU-M12G5-K-5-LE3
	Angled socket, M8x1, 3-pin	Cable, open end, 3-wire	2.5	541338	NEBU-M8W3-K-2.5-LE3
			5	541341	NEBU-M8W3-K-5-LE3
	Angled socket, M12x1, 5-pin,	Cable, open end, 3-wire	2.5	541367	NEBU-M12W5-K-2.5-LE3
			5	541370	NEBU-M12W5-K-5-LE3

Ordering data – Slot cover for T-slot				
	Mounting	Length [m]	Part no.	Type
	Insertable	2x 0.5	151680	ABP-5-S

Ordering data – One-way flow control valves					Data sheets → Internet: grla
	Connection Thread	For tubing O.D.	Material	Part no.	Type
	G1/8	3	Metal version	193142	GRLA-1/8-QS-3-D
		4		193143	GRLA-1/8-QS-4-D
		6		193144	GRLA-1/8-QS-6-D
		8		193145	GRLA-1/8-QS-8-D
	G1/4	6		193146	GRLA-1/4-QS-6-D
		8		193147	GRLA-1/4-QS-8-D
		10		193148	GRLA-1/4-QS-10-D
	G3/8	6		193149	GRLA-3/8-QS-6-D
		8		193150	GRLA-3/8-QS-8-D
		10		193151	GRLA-3/8-QS-10-D
	G1/2	12		193152	GRLA-1/2-QS-12-D