

Classic Tiger Manifolds

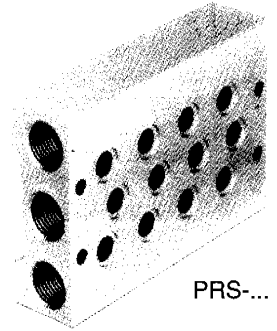
Type PRS-... For "Tiger" Series Valves, Dimensions

Light-weight, slim-line PRS-...

Manifolds for the "Tiger" series valves save space, assembly time and tubing/fittings costs. Both air-piloted and solenoid actuated valves (series 1/8" and/or 1/4") can be mounted together on a single manifold.*

Manifolds, Type PRS-...(NPT or Metric)

- Corrosion-resistant, extruded aluminum construction
- Common 1/2" supply and exhaust ports
- Single bolt valve mounting speeds assembly and maintenance
- Accommodates 2 to 15, 3- and/or 5-ported, 4-way valves

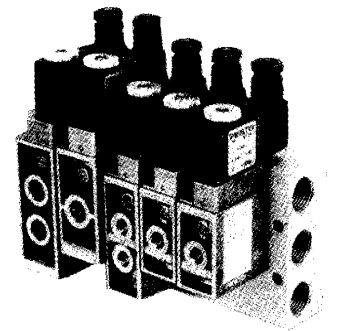


PRS-...

Ref. (5.4/16-1) (5.4/26-1) (98)

For Valve Port Size	Connection	Manifold For 2 Valves	Manifold For 3 Valves	Manifold For 4 Valves	Manifold For 5 Valves	Manifold For 6 Valves	Blanking Plate
5/2-way G-1/8	G-3/8	11898 PRS-1/8-2-B	11899 PRS-1/8-3-B	11900 PRS-1/8-4-B	11901 PRS-1/8-5-B	11902 PRS-1/8-6-B	11687 PRSB-1/8
5/2-way G-1/4 / 1/4-NPT	G-1/2	10185 PRS-1/4-2	10186 PRS-1/4-3	10187 PRS-1/4-4	10188 PRS-1/4-5	10189 PRS-1/4-6	11688 PRSB-1/4
G-1/8 or G-1/4 1/8 or 1/4 NPT	G-1/2	10055 PRS-1/8-1/4-X (X = Length in mm)				(Both 3/2- and 5/2-way 1/8 and 1/4 valves can be mounted.)	

PRS-... Manifolds	Hollow Bolt	Blanking Plate	Hollow Bolt for Separate Air Supply	
PRS-1/8-...-B	11539 VT-1/8-PRSK	11687 PRSB-1/8	12634 VT-1/8-AJK-P	Metric
PRS-1/4-...	9499 VT-1/4-PRS	11688 PRSB-1/4	12635 VT-1/4-AJ-P	Metric
	9500 VT-1/4-NPT-PRS	13000243 PRS-BP-1/4-NPT	13001693 VT-1/4-AJP-NPT	NPT
PRS-1/8-1/4-X	10071 VT-1/8-PRS	11687 PRSB-1/8	12633 VT-1/8-AJ-P	Metric
	9499 VT-1/4-PRS	11688 PRSB-1/4	12635 VT-1/4-AJ-P	
	10072 VT-1/8-NPT-PRS	13000242 PRS-BP-1/8-NPT		NPT
	9500 VT-1/4-NPT-PRS	13000242 PRS-BP-1/8-NPT 13000243 PRS-BP-1/4-NPT	13001693 VT-1/4-AJP-NPT	NPT



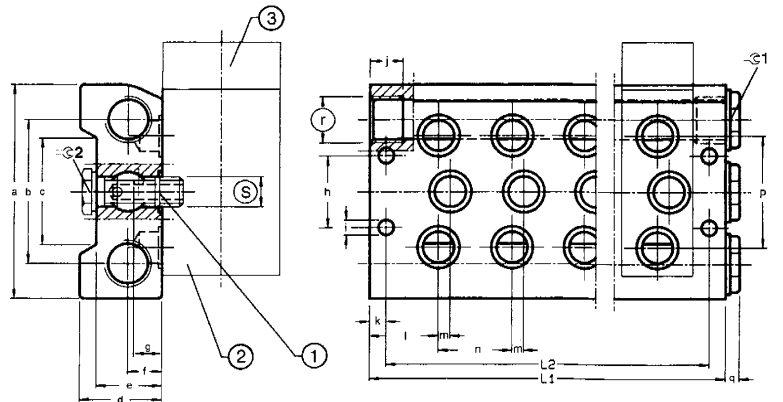
Manifolds: Type PRS-1/8-...-B and PRS-1/4... (Inch and Metric)

PRS-1/8-...-B

- ① Hollow bolt
Type VT-1/8-PRSK
- ② This manifold can be used to mount the following valves:
Type MFH-5-1/8,
VL-5-1/8, JH-5-1/8,
JDH-5-1/8, JMFH-5-1/8,
JMFDH-5-1/8
- ③ Valve cover can be rotated 180°

PRS-1/4-...

- ① Hollow bolt
Type VT-1/4-PRS or
VT-1/4 NPT-PRS
- ② This manifold can be used to mount the following valves:
Type MFH-5-1/4, and NPT
VL-5-1/4, and NPT
JH-5-1/4, and NPT
JDH-5-1/4, and NPT
JMFDH-5-1/4, and NPT
JMFH-5-1/4, and NPT
- ③ Valve cover can be rotated 180°



Dimensions Ref. 2.930, 2.932, 2.935

Type	a in / mm	b in / mm	c in / mm	d in / mm	e in / mm	f in / mm	g in / mm	h in / mm	i in / mm	j in / mm
PRS-1/8-	3.15 / 80	2.20 / 56	1.57 / 40	1.14 / 28.5	0.88 / 22	0.51 / 12.5	0.44 / 10.8	1.10 / 28	0.26 / 6.6	0.47 / 12
PRS-1/4-	3.62 / 92	2.44 / 62	1.81 / 48	1.38 / 34.5	1.10 / 27.5	0.57 / 14	0.57 / 14	1.22 / 31	0.26 / 6.6	0.55 / 14
Type	k in / mm	l in / mm	m in / mm	n in / mm	p in / mm	q in / mm	r mm	s mm	① mm	② mm
PRS-1/8-	0.28 / 7	0.92 / 23.5	0.28 / 7	1.06 / 27	1.50 / 38	0.20 / 5	G 3/8	G 1/8	8	14
PRS-1/4-	0.28 / 7	1.15 / 29.2	0.20 / 5	1.24 / 31.4	1.89 / 48	0.24 / 6	G 1/2	G 1/4	10	17

Type	L1 in / mm	L2 in / mm
PRS-1/8-2-B	3.19 / 81	2.64 / 67
PRS-1/8-4-B	5.31 / 135	4.76 / 121
PRS-1/8-6-B	7.44 / 189	6.89 / 175

Type	L1 in / mm	L2 in / mm
PRS-1/4-2	3.54 / 90	2.98 / 75.8
PRS-1/4-4	6.00 / 152.5	5.46 / 138.6
PRS-1/4-6	8.48 / 215.5	7.93 / 201.4

Festo - Your Partner in Automation



1 Festo Inc.
5300 Explorer Drive
Mississauga, ON L4W 5G4
Canada

Festo Customer Interaction Center
Tel: 1 877 463 3786
Fax: 1 877 393 3786
Email: customer.service.ca@festo.com

2 Festo Pneumatic
Av. Ceylán 3,
Col. Tequesquináhuac
54020 Tlalneantla,
Estado de México

Multinational Contact Center
01 800 337 8669
ventas.mexico@festo.com

3 Festo Corporation
1377 Motor Parkway
Suite 310
Islandia, NY 11749

Festo Customer Interaction Center
1 800 993 3786
1 800 963 3786
customer.service.us@festo.com

4 Regional Service Center
7777 Columbia Road
Mason, OH 45040

Connect with us



www.festo.com/socialmedia



www.festo.com

Subject to change