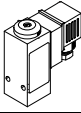
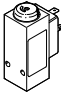
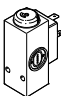
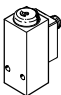
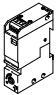
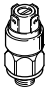

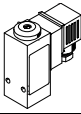

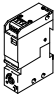


Pressure and vacuum switches PEV/VPEV



Pressure and vacuum switches PEV/VPEV

Product range overview

Function	Design	Type	Operating pressure [bar]	Pneumatic connection	Electrical connection	Max. switching output voltage		→ Page/ Internet
						[V DC]	[V AC]	
Mechanical pressure switches	Mounting via screws							
		PEV	1 ... 12	G1/4	Plug, type A ¹⁾	125	250	3
		PEV	1 ... 12	G1/4	Plug, type A	125	250	3
		PEV Visual scale for pressure adjustment	1 ... 12	G1/4	Plug, type A	125	250	3
		PEV	1 ... 12	G1/4	Plug M12x1, 4-pin	48	48	3
	H-rail mounting							
		PEV-W	0 ... 8	M5	Plug M8x1, 4-pin	30	–	10
		PEV-W	0 ... 8	M5	Screw terminal, 4-pin	30	–	10
	Mounting via screw-in thread							
		PEV-SW27	1 ... 10	G1/4	For plug socket PEV-1/4-A-WD	250	250	14
	PEV-SW27	1 ... 10	G1/4	For plug socket PEV-1/4-WD-LED-...	250	250	14	
Mechanical vacuum switches	Mounting via screws							
		VPEV	-1 ... +1.6	G1/8	Plug, type A ¹⁾	125	250	3
		VPEV	-1 ... +1.6	G1/8	Plug M12x1, 4-pin	48	48	3
	H-rail mounting							
		VPEV-W	-1 ... 0	M5	Plug M8x1, 4-pin	30	–	10
	VPEV-W	-1 ... 0	M5	Screw terminal, 4-pin	30	–	10	

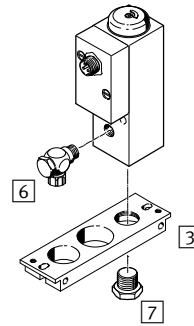
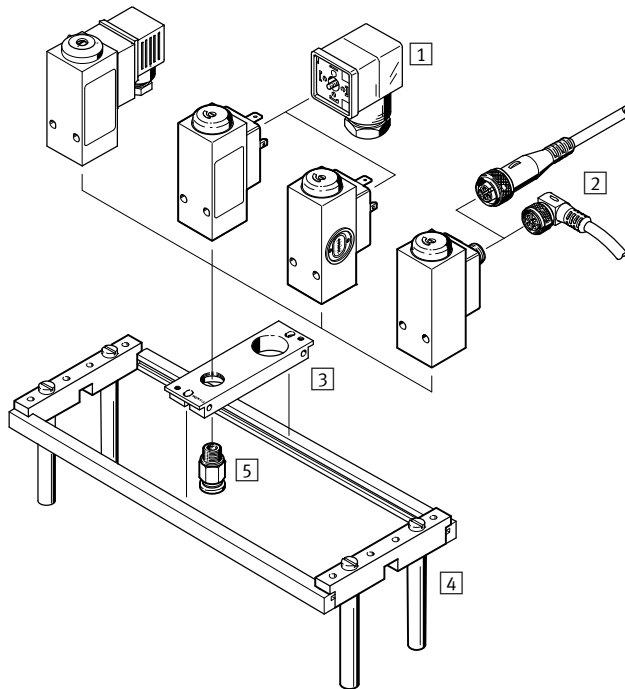
1) Plug socket included in scope of delivery

Pressure and vacuum switches PEV/VPEV, with through-holes

Peripherals overview

PEV

VPEV



 Note

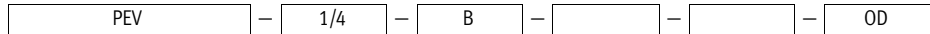
The vacuum switch VPEV is used as a pressure switch by repositioning the blanking screw supplied from the pressure supply port to the vacuum port.

Mounting attachments and accessories	→ Page/Internet
1 Angled plug socket with switching status display PEV	17
Plug socket without switching status display MSSD	21
2 Connecting cable NEBU-M12	21
3 Mounting plate APL	19

Mounting attachments and accessories	→ Page/Internet
4 Mounting frame NRRQ	20
5 Push-in fitting QS	qs
6 Quick connector CK-1/8, LCK-1/8	ck
7 Blanking screw VPEV-1/8 (included in scope of delivery of VPEV)	-

Pressure and vacuum switches PEV/VPEV, with through-holes

Type codes



Type	
PEV	Pressure switch
VPEV	Vacuum switch

Pneumatic connection	
1/8	G1/8
1/4	G1/4

Generation	
B	B series

Electrical connection	
-	Plug, type A, rectangular design, to EN 175301-803
M12	Plug M12x1, 4-pin, round design, to EN 60947-5-2

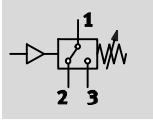
Setting options	
SC	Scale for pressure adjustment

Plug socket	
-	Included in the scope of delivery
OD	Not included in the scope of delivery

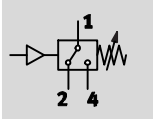
Pressure and vacuum switches PEV/VPEV, with through-holes

Technical data

Function
PEV/VPEV



PEV/VPEV...-M12



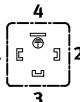
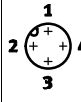
General technical data					
Type	PEV-1/4-B(-OD)	PEV-1/4-SC-OD	PEV-1/4-B-M12	VPEV-1/8	VPEV-1/8-M12
General					
Conforms to standard	EN 60947-5-1				
Approval	-	-	cULus recognized (OL)	-	cULus recognized (OL)
	CCC				
CE marking (see declaration of conformity)	To EU Low Voltage Directive				
Note on materials	RoHS-compliant				
Input signal/measuring element					
Measured variable	Relative pressure				
Method of measurement	Pneumatic/electric pressure transducer				
	-	With setting scale	-	-	-
Pressure measuring range [bar]	-			-1 ... +1.6	
Operating pressure [bar]	1 ... 12			-1 ... +1.6	
Operating medium	Compressed air to ISO 8573-1:2010 [7:-:-]			Compressed air to ISO 8573-1:2010 [7:4:4]	
	Water			-	
Note about the operating/pilot medium	Lubricated operation possible (required during subsequent operation)				
Temperature of medium [°C]	-20 ... +80				
Ambient temperature [°C]	-20 ... +80				

Pressure and vacuum switches PEV/VPEV, with through-holes

FESTO

Technical data

Electrical data						
Type		PEV-1/4-B(-OD)	PEV-1/4-SC-OD	PEV-1/4-B-M12	VPEV-1/8	VPEV-1/8-M12
Switching output						
Switching element function		Changeover switch				
Max. switching frequency	[Hz]	3				
Max. switching output voltage	[V AC]	250	48	250	48	
	[V DC]	125	48	125	48	
Max. output current	[mA]	5,000	4,000	5,000	4,000	
Minimum load current	[mA]	1 (at 24 V)				
	[mA]	10 (at 10 V)				
	[mA]	100 (at 5 V)				
Electronic components						
Utilisation category for inductive load		AC-14				
		DC-13				
Utilisation category for ohmic load		AC-12				
		DC-12				
Electromechanical components						
Electrical connection		Plug, type A, rectangular design, to EN 175301-803	Plug M12x1, 4-pin, round design, to EN 60947-5-2	Plug, type A, rectangular design, to EN 175301-803	Plug M12x1, 4-pin, round design, to EN 60947-5-2	

Pin allocation					
Plug, type A	Pin	Meaning	Plug M12x1, 4-pin	Pin	Meaning
	1	Operating voltage		1	Operating voltage
	2	N/C contact		2	N/C contact
	3	N/O contact		3	Unused
	4	Earthing		4	N/O contact

Mechanical components						
Type		PEV-1/4-B(-OD)	PEV-1/4-SC-OD	PEV-1/4-B-M12	VPEV-1/8	VPEV-1/8-M12
Type of mounting		Via through-hole				
Mounting position		Any				
Pneumatic connection		G1/4			G1/8	
Product weight	[g]	194	144	194	240	194
Housing material information		Die-cast aluminium				
Switch contact material information		Silver				

Display/operation						
Type		PEV-1/4-B(-OD)	PEV-1/4-SC-OD	PEV-1/4-B-M12	VPEV-1/8	VPEV-1/8-M12
Switching output						
Threshold value setting range	[bar]	1 ... 12			-0.95 ... -0.2	
Threshold value setting range after conversion	[bar]	-			0.16 ... 1.6	

Immissions/emissions		
Storage temperature	[°C]	-20 ... +80
Protection		IP65
Corrosion resistance class	CRC ¹⁾	2

1) Corrosion resistance class CRC 2 to Festo standard FN 940070

Moderate corrosion stress. Indoor applications in which condensation may occur. External visible parts with primarily decorative requirements for the surface and which are in direct contact with the ambient atmosphere typical for industrial applications.

Pressure and vacuum switches PEV/VPEV, with through-holes

Technical data

Dimensions – Pressure switches Download CAD data → www.festo.com

PEV-1/4-B

1 Switching point adjusting screw
2 Hex nut for adjustment of hysteresis (under protective cover)
3 Protective cover

PEV-1/4-B-OD

4 Push-in connector suitable for plug socket M16x1.5 to EN 175301-803-A

PEV-1/4-B: 4 Push-in connector M16x1.5 to EN 175301-803-A, choice of cable outlet by turning socket inset 4x90°

Type	B1 ±0.2	B2 ±0.1	D1	D2 ∅ ±0.2	D3	H1 ±0.6	H2	H3 ±0.5	L1	L2 ±0.2	≈C1
PEV-1/4-B	30	20	G1/4	5.2	min. 5	77.3	56	18.5	78	1	11
PEV-1/4-B-OD							40		56		

Dimensions – Pressure switch Download CAD data → www.festo.com

PEV-1/4-SC-OD

1 Switching point adjusting screw
2 Hex nut for adjustment of hysteresis (under protective cover)
3 Protective cover
4 Push-in connector suitable for plug socket M16x1.5 to EN 175301-803-A
5 Scale for reading off the set switching pressure

Type	B1 ±0.2	B2 ±0.1	D1	D2 ∅ ±0.2	D3	H1 ±0.6	H2	H3 ±0.5	L1	L2 ±0.2	≈C1
PEV-1/4-SC-OD	30	20	G1/4	5.2	min. 5	77.3	40	18.5	56	1	11

Pressure and vacuum switches PEV/VPEV, with through-holes

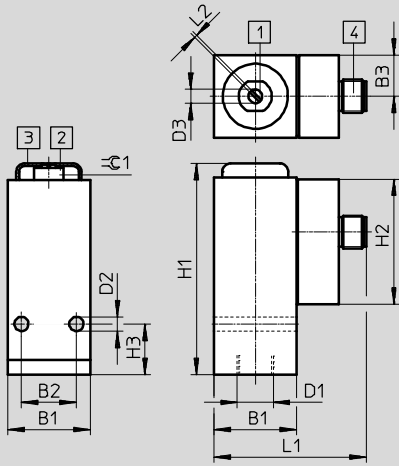
Technical data

FESTO

Dimensions – Pressure switch

Download CAD data → www.festo.com

PEV-1/4-B-M12



- 1 Switching point adjusting screw
- 2 Hex nut for adjustment of hysteresis (under protective cover)
- 3 Protective cover
- 4 Connection arrangement for plug connector M12x1 to EN 60947-5-2

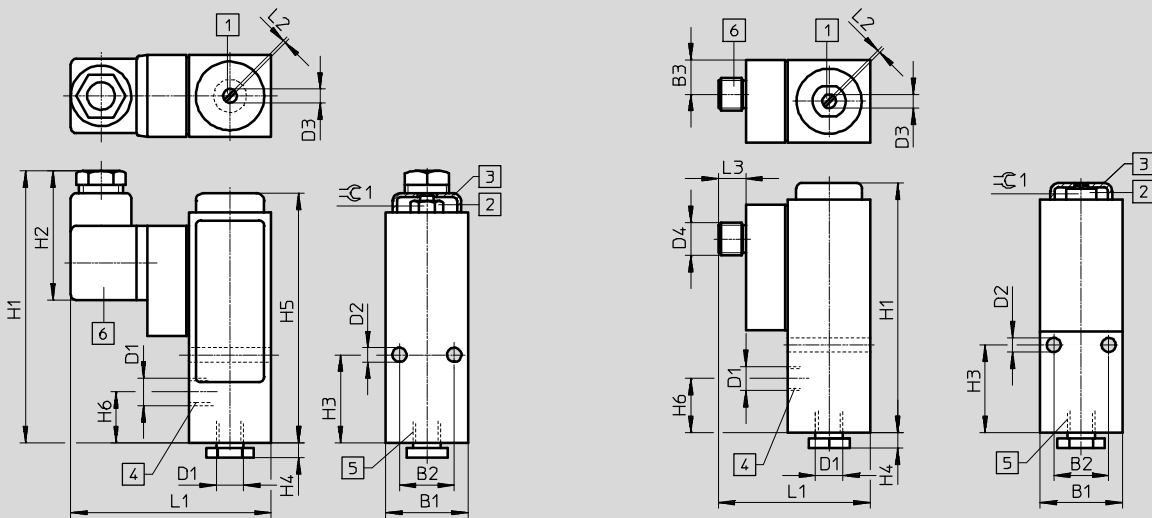
Type	B1 ±0.2	B2 ±0.1	B3	D1	D2 ∅ ±0.2	D3	H1 ±0.6	H2	H3 ±0.5	L1	L2 ±0.2	≈C1
PEV-1/4-B-M12	30	20	12.5	G1/4	5.2	min. 5	77.3	40	18.5	55.4	1	11

Dimensions – Vacuum switch

Download CAD data → www.festo.com

VPEV-1/8

VPEV-1/8-M12



- 1 Switching point adjusting screw
- 2 Hex nut for adjustment of hysteresis (under protective cover)
- 3 Protective cover
- 4 Vacuum port
- 5 Supply port with blanking screw

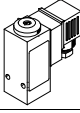
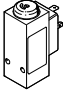
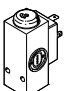
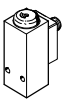
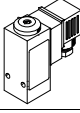
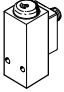
- VPEV-1/8:
- 6 Push-in connector M16x1.5 to EN 175301-803-A, choice of cable outlet by turning socket inset 4x90°

- VPEV-1/8-M12:
- 6 Connection arrangement for plug connectors to EN 60947-5-2

Type	B1 ±0.2	B2 ±0.1	B3 -0.1	D1	D2 ∅ ±0.2	D3	D4	H1	H2	H3 ±0.1	H4	H5	H6	L1	L2 ±0.2	L3	≈C1
VPEV-1/8	30	20	-	G1/8	5.2	min. 5	-	98	48	32	5.5	91	18.5	78	1	-	11
VPEV-1/8-M12			12.5				M12x1	91	-			-		55.4		10	

Pressure and vacuum switches PEV/VPEV, with through-holes

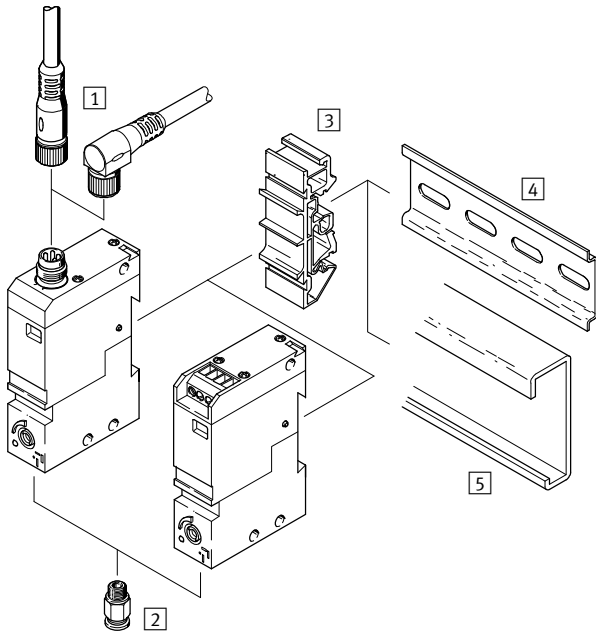
Technical data

Ordering data				
	Pneumatic connection	Electrical connection	Part No.	Type
Pressure switch				
	G1/4	Plug, type A, rectangular design, to EN 175301-803 Plug socket included in scope of delivery	10773	PEV-1/4-B
	G1/4	Plug, type A, rectangular design, to EN 175301-803	175250	PEV-1/4-B-OD
	G1/4	Plug, type A, rectangular design, to EN 175301-803	161760	PEV-1/4-SC-OD
	G1/4	Plug M12x1, 4-pin, round design, to EN 60947-5-2	192488	PEV-1/4-B-M12
Vacuum switch				
	G1/8	Plug, type A, rectangular design, to EN 175301-803 Plug socket included in scope of delivery	150261	VPEV-1/8
	G1/8	Plug M12x1, 4-pin, round design, to EN 60947-5-2	192489	VPEV-1/8-M12

Pressure and vacuum switches PEV-W/VPEV-W, H-rail mounting

Peripherals overview and type codes

Peripherals overview



Mounting attachments and accessories		→ Page/Internet
1	Connecting cable NEBU-M8	21
2	Push-in fitting QSM-M5	qsm
3	Mounting latch PENV	21
4	Mounting rail NRH, to EN 60715	21
5	Mounting rail NRC, to EN 50035	21

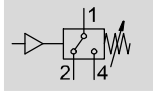
Type codes

		PEV-W	–	KL	–	LED	–	GH
Type								
PEV-W	Pressure switch							
VPEV-W	Vacuum switch							
Electrical connection								
S	Plug M8x1, 4-pin							
KL	Screw terminal, 4-pin							
Switching status display								
LED	Yellow LED							
Type of mounting								
GH	Via H-rail or through-hole							

Pressure and vacuum switches PEV-W/VPEV-W, H-rail mounting

Technical data

Function



General technical data		
Type	PEV-W	VPEV-W
General		
Approval	RCM Mark	
CE marking (see declaration of conformity)	To EU EMC Directive ¹⁾	
Note on materials	Contains PWIS (paint-wetting impairment substances)	
	RoHS-compliant	
Input signal/measuring element		
Measured variable	Relative pressure	
Method of measurement	Pneumatic/electric pressure transducer	
Pressure measuring range [bar]	2 ... 8	-0.8 ... -0.2
Operating pressure [bar]	0 ... 8	-1 ... 0
Operating medium	Compressed air to ISO 8573-1:2010 [7:-:-]	
Note about the operating/pilot medium	Lubricated operation possible (required during subsequent operation)	
Temperature of medium [°C]	0 ... +60	
Ambient temperature [°C]	0 ... +60	

1) For information about the applicability of the component see the manufacturer's EC declaration of conformity at: www.festo.com/sp → User documentation.
If the component is subject to restrictions on usage in residential, office or commercial environments or small businesses, further measures to reduce the emitted interference may be necessary.
The condition for this is a length of the signal cable < 30 m.

Electrical data				
Type	PEV-W-S	PEV-W-KL	VPEV-W-S	VPEV-W-KL
Switching output				
Switching element function	Changeover switch			
Hysteresis [bar]	0.5 ... 2		0.08 ... 0.2	
Max. switching frequency [Hz]	3			
Max. output current [mA]	2,500			
Operating voltage range [V DC]	10 ... 30			
Electromechanical components				
Electrical connection	Plug M8x1, 4-pin	Screw terminal, 4-pin	Plug M8x1, 4-pin	Screw terminal, 4-pin

Pin allocation					
Plug M8x1, 4-pin			Screw terminal, 4-pin		
	Pin	Meaning		Pin	Meaning
	1	+ (-)		1	+ (-)
	2	N/C contact		2	N/C contact
	3	- (+)		3	- (+)
	4	N/O contact		4	N/O contact

Pressure and vacuum switches PEV-W/VPEV-W, H-rail mounting

Technical data

Mechanical components	
Type of mounting	Via through-hole Via H-rail
Mounting position	Any
Pneumatic connection	M5
Product weight [g]	56
Housing material information	PA, PET, POM

Display/operation		
Type	PEV-W	VPEV-W
Switching output		
Switching status display	Yellow LED	
Threshold value setting range [bar]	1.5 ... 8	-0.8 ... -0.2

Immissions/emissions				
Type	PEV-W-S	PEV-W-KL	VPEV-W-S	VPEV-W-KL
Storage temperature [°C]	-20 ... +80			
Protection	IP65	IP20	IP65	IP20
Corrosion resistance class CRC ¹⁾	2			

1) Corrosion resistance class CRC 2 to Festo standard FN 940070
Moderate corrosion stress. Indoor applications in which condensation may occur. External visible parts with primarily decorative requirements for the surface and which are in direct contact with the ambient atmosphere typical for industrial applications.

Dimensions Download CAD data → www.festo.com

PEV-W-S/VPEV-W-S PEV-W-KL/VPEV-W-KL

1 Slot for inscription label

2 Foot mounting (included in scope of delivery)

3 Clamping foot for G/H rail

4 Switching status display, yellow

5 Switching point adjusting screw

6 Manual override

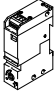
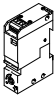
7 Integral plug, fits plug sockets to NEBU

8 Cable terminals

Type	B1	B2	B3	D1	D2 ∅	D3	H1	H2	H3	H4	H5	H6	L1	L2	L3	L4	L5	L6	L7
PEV-W-S/VPEV-W-S	18	8.8	3	M5	3.2	3.4	73.4	66	60	54	2.6	7.4	42	34.7	18.4	12	15.8	7.9	9.3
PEV-W-KL/VPEV-W-KL							72					-							-

Pressure and vacuum switches PEV-W/VPEV-W, H-rail mounting

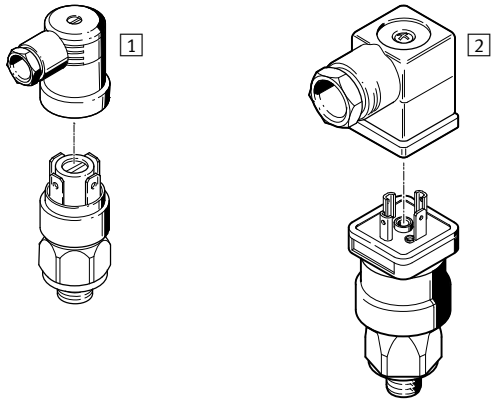
Technical data

Ordering data				
	Pneumatic connection	Electrical connection	Part No.	Type
Pressure switch				
	M5	Plug M8x1, 4-pin	152616	PEV-W-S-LED-GH
		Screw terminal, 4-pin	152618	PEV-W-KL-LED-GH
Vacuum switch				
	M5	Plug M8x1, 4-pin	152617	VPEV-W-S-LED-GH
		Screw terminal, 4-pin	152619	VPEV-W-KL-LED-GH

Pressure switches PEV-SW27, screw-in

Peripherals overview and type codes

Peripherals overview



Accessories	→ Page/Internet
1 Angled socket PEV-1/4-A-WD	18
2 Angled socket PEV-1/4-WD-LED-...	17

Type codes

PEV – 1/4 – A – SW27 –

Type

PEV	Pressure switch
-----	-----------------

Pneumatic connection

1/4	G1/4
-----	------

Generation

A	A series
---	----------

Width across flats

SW27	27 mm
------	-------

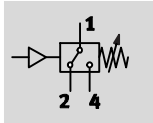
Electrical connection

–	For angled plug socket PEV-1/4-A-WD
B-OD	For angled plug socket PEV-1/4-WD-LED-...

Pressure switches PEV-SW27, screw-in

Technical data

Function



General technical data	
General	
CE marking (see declaration of conformity)	To EU Low Voltage Directive
Input signal/measuring element	
Measured variable	Relative pressure
Method of measurement	Pneumatic/electric pressure transducer
Pressure measuring range [bar]	1 ... 10
Operating pressure [bar]	1 ... 10
Operating medium	Compressed air to ISO 8573-1:2010 [7:-:-]
Note about the operating/pilot medium	Lubricated operation possible (required during subsequent operation)
Temperature of medium [°C]	-20 ... +80
Ambient temperature [°C]	-20 ... +100

Electrical data	
Switching output	
Switching element function	Changeover switch
Max. switching frequency [Hz]	3
Max. switching output voltage [V AC]	250
[V DC]	250
Max. output current [mA]	4,000
Operating voltage range [V DC]	12 ... 250
Electromechanical components	
Electrical connection	Plug, 4-pin

Pin allocation					
PEV-1/4-A-SW27	Pin	Meaning	PEV-1/4-A-SW27-B-OD	Pin	Meaning
	1	Switchable voltage		1	Switchable voltage
	2	N/C contact		2	N/C contact
	4	N/O contact		4	N/O contact

Mechanical components	
Type of mounting	Screw-in
Mounting position	Any
Pneumatic connection	G1/4
Product weight [g]	90
Housing material information	Galvanised steel

Pressure switches PEV-SW27, screw-in

FESTO

Technical data

Display/operation	
Switching output	
Threshold value setting range	[bar] 1 ... 10

Immissions/emissions	
Protection	IP65

Dimensions Download CAD data → www.festo.com

PEV-1/4-A-SW27

PEV-1/4-A-SW27-B-OD

<p>1 Max. tightening torque 50 Nm</p> <p>2 Integral plug connector to DIN 46244</p>	<p>1 Max. tightening torque 50 Nm</p> <p>2 Integral plug connector to EN 175201-803</p> <p>3 Switching-point adjustment</p>
---	---

Type	B1	D1	D2	D3	H1	H2	H3	H4	≙1
PEV-1/4-A-SW27	-	G1/4	30	26	58	8	2	1.3	27
PEV-1/4-A-SW27-B-OD	30		34	-	74		-	-	

Ordering data				
	Pneumatic connection	Electrical connection	Part No.	Type
Pressure switch				
	G1/4	For angled plug socket PEV-1/4-A-WD	159259	PEV-1/4-A-SW27
	G1/4	For angled plug socket PEV-1/4-WD-LED-...	175252	PEV-1/4-A-SW27-B-OD

Pressure and vacuum switches PEV/VPEV

Accessories

Angled socket PEV-1/4-WD-LED-...
for pressure switch PEV-1/4-B-OD,
PEV-1/4-SC-OD and
PEV-1/4-A-SW27-B-OD

- With integrated LED for switching status indication



General technical data		
Type	PEV-1/4-WD-LED-24	PEV-1/4-WD-LED-230
CE marking (see declaration of conformity)	To EU EMC Directive	
	–	To EU Low Voltage Directive
Certification	RCM trademark	
Note on materials	RoHS-compliant	

Electronic components		
Type	PEV-1/4-WD-LED-24	PEV-1/4-WD-LED-230
Operating voltage range	[V AC]	–
	[V DC]	15 ... 30
		0 ... 230
		0 ... 180

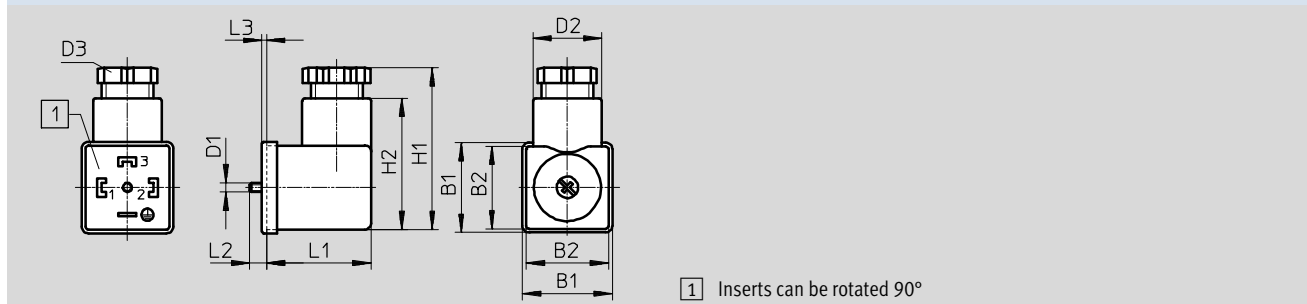
Electromechanical components		
Electrical connection	Angled socket, 4-pin	
Acceptable current load	[A]	8

Mechanical components		
Type of mounting	Via through-hole	
Housing material information	PA	

Display/operation		
Ready status display	Green LED	
Switching status display	Yellow LED	

Immissions/emissions		
Ambient temperature	[°C]	–40 ... +90
Protection	IP65	

Dimensions Download CAD data → www.festo.com



Dimensions and ordering data													
Type	B1	B2	D1	D2	D3	H1	H2	L1	L2	L3	Weight [g]	Part No.	Type
PEV-...-24	30	27.5	M3	22.5	Pg11	53	43	34.2	5.5	1.5	34	164274	PEV-1/4-WD-LED-24
PEV-...-230											34	164275	PEV-1/4-WD-LED-230

Pressure and vacuum switches PEV/VPEV

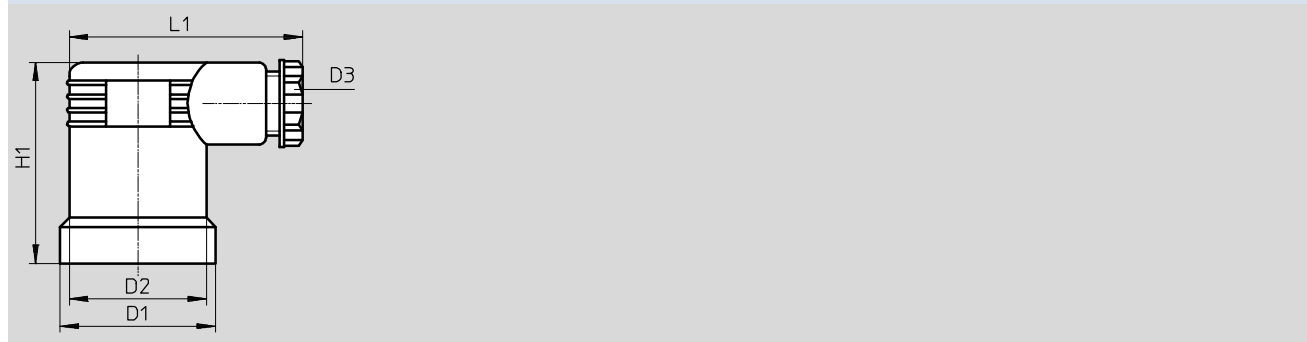
Accessories

Angled plug socket PEV-1/4-A-WD
for pressure switch PEV-1/4-A-SW27



General technical data		
Note on materials	RoHS-compliant	
Electromechanical components		
Electrical connection	Angled socket, 4-pin	
Mechanical components		
Type of mounting	Via through-hole	
Housing material information	PA	
Immissions/emissions		
Ambient temperature	[°C]	-40 ... +90
Protection	IP65	

Dimensions Download CAD data → www.festo.com



Dimensions and ordering data							
D1	D2	D3	H1	L1	Weight [g]	Part No.	Type
34	30	Pg9	44	51	55	161209	PEV-1/4-A-WD

Pressure and vacuum switches PEV/VPEV

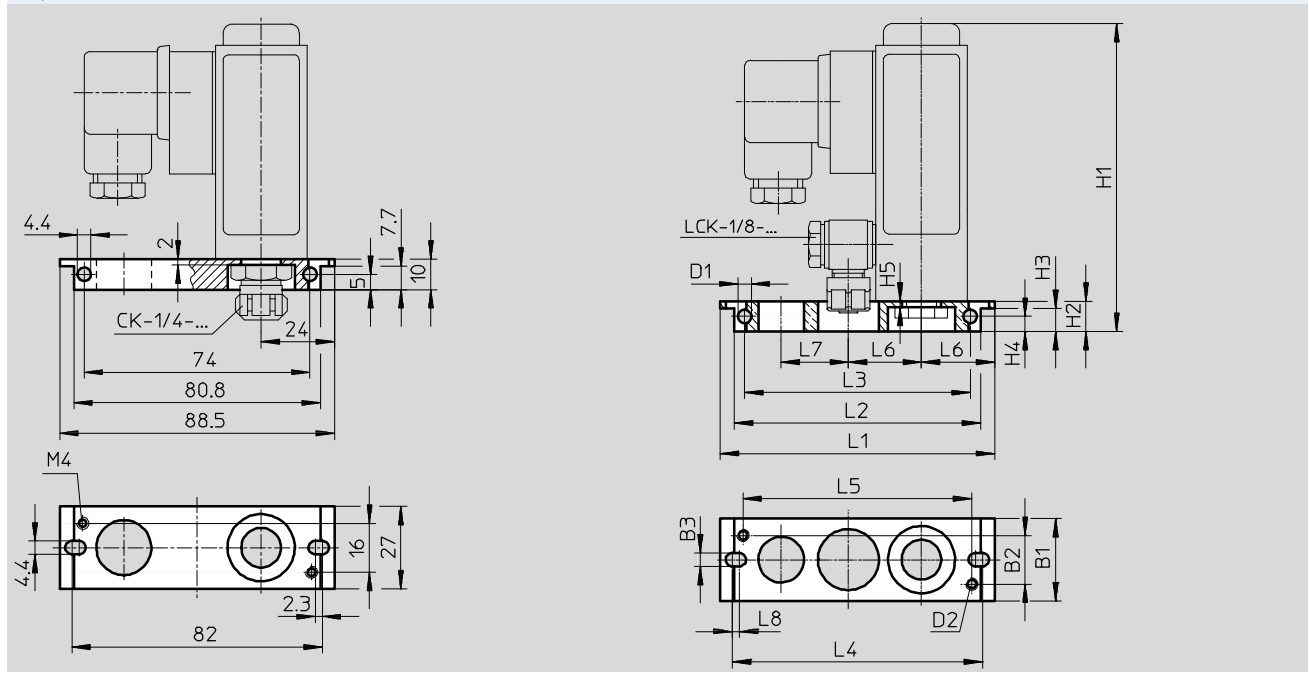
Accessories

Mounting plate APL

for pressure switch PEV and vacuum switch VPEV



Dimensions Download CAD data → www.festo.com
 for pressure switch PEV for vacuum switch VPEV



Dimensions and ordering data											
	B1	B2	B3	D1	D2	H1	H2	H3	H4	H5	L1
For PEV	27	16	4.4	4.4	M4	87.3	10	7.7	5	2	88.5
For VPEV						101					

	L2	L3	L4	L5	L6	L7	L8	Weight [g]	Part No.	Type
For PEV	80.8	74	82	75	24	-	2.3	18	9349	APL-2N-PEV
For VPEV			81			22		18		

Pressure and vacuum switches PEV/VPEV

Accessories



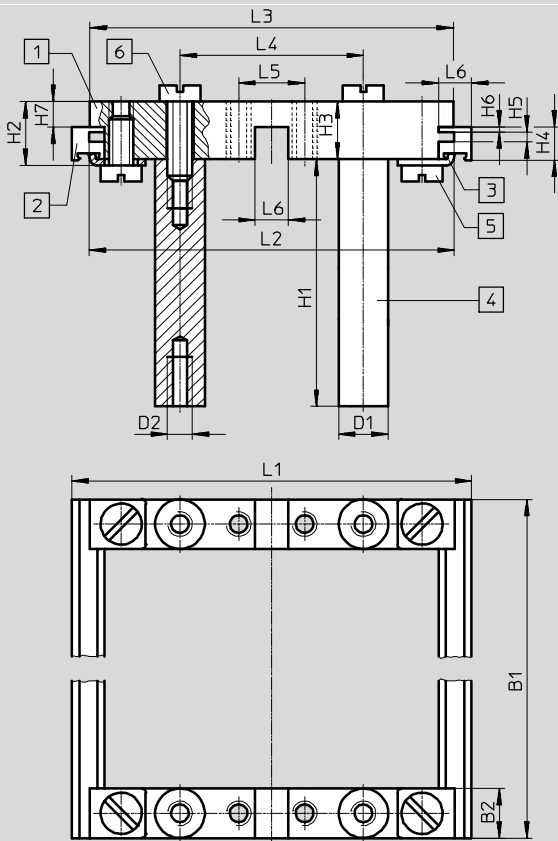
Mounting frame NRRQ
Mounting frame NRW

- Scope of delivery:
- 2 x Connecting piece NRV-2N
 - 2 x Profile rail NRQ-8-480
 - 4 x Mounting bracket NRW-12/3
 - 4 x Bolt NRB-12/60
 - 4 x Socket head screw
DIN 84-M6X18-4.8
 - 4 x Socket head screw
DIN 84-M6X12-4.8
 - 4 x Mounting bracket NRW-9/1,5-B
 - 4 x Socket head screw
DIN 84-M4X10-4.8



Dimensions – Mounting frame NRRQ

Download CAD data → www.festo.com



- 1 Connecting piece NRV-2N
- 2 Profile rail NRQ-8-480
- 3 Mounting bracket NRW-12/3
- 4 Bolt NRB-12/60
- 5 Socket head screw
DIN 84-M6X12-4.8
- 6 Socket head screw
DIN 84-M6X18-4.8


B1	B2	D1	D2	H1	H2	H3	H4	H5	H6	H7	L1	L2	L3	L4	L5	L6
480	12	12 ∅	M6	60	15.5	14	8	2.4	1.2	6.2	97	88.6	88.2	44.5	16	8


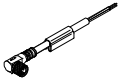
Dimensions and ordering data



	Part No.	Type
Mounting frame complete for 16 elements	9365	NRRQ-2N
Mounting bracket for mounting sub-bases to the frame	11571	NRW-9/1,5-B

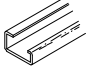
Pressure and vacuum switches PEV/VPEV

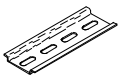
Accessories

Ordering data – Plug socket MSSD			Technical data → Internet: mssd	
	Electrical connection	Cable connector	Part No.	Type
	Angled socket, 3-pin, type A	Pg9	171157	MSSD-C-4P

Ordering data – Connecting cable NEBU-M8				Technical data → Internet: nebu	
	Electrical connection	Number of wires	Cable length [m]	Part No.	Type
	M8x1, straight socket	4	2.5	541342	NEBU-M8G4-K-2.5-LE4
			5	541343	NEBU-M8G4-K-5-LE4
	M8x1, angled socket	4	2.5	541344	NEBU-M8W4-K-2.5-LE4
			5	541345	NEBU-M8W4-K-5-LE4

Ordering data – Connecting cable NEBU-M12				Technical data → Internet: nebu	
	Electrical connection	Number of wires	Cable length [m]	Part No.	Type
	M12x1, straight socket	4	2.5	550326	NEBU-M12G5-K-2.5-LE4
			5	541328	NEBU-M12G5-K-5-LE4
	M12x1, angled socket	4	2.5	550325	NEBU-M12W5-K-2.5-LE4
			5	541329	NEBU-M12W5-K-5-LE4

Ordering data – Mounting rail NRC			Technical data → Internet: nrc	
	Description	Length	Part No.	Type
	G-rail to EN 50035	2 m	6756	NRC-32-2000

Ordering data – Mounting rail NRH			Technical data → Internet: nrh	
	Description	Length	Part No.	Type
	H-rail to EN 60715	2 m	35430	NRH-35-2000

Ordering data – Mounting latch PENV			Technical data → Internet: penv	
	Description	Part No.	Type	
	For mounting on mounting rail	164597	PENV-BGH	

Festo - Your Partner in Automation



1 Festo Inc.
5300 Explorer Drive
Mississauga, ON L4W 5G4
Canada

Festo Customer Interaction Center
Tel: 1 877 463 3786
Fax: 1 877 393 3786
Email: customer.service.ca@festo.com



2 Festo Pneumatic
Av. Ceylán 3,
Col. Tequesquináhuac
54020 Tlalnepantla,
Estado de México

Multinational Contact Center
01 800 337 8669
ventas.mexico@festo.com



3 Festo Corporation
1377 Motor Parkway
Suite 310
Islandia, NY 11749

Festo Customer Interaction Center
1 800 993 3786
1 800 963 3786
customer.service.us@festo.com



4 Regional Service Center
7777 Columbia Road
Mason, OH 45040

Connect with us



www.festo.com/socialmedia



www.festo.com

Subject to change