

Connecting cables for valves, socket type C, narrow

Type codes

NEBV - C1S W - - - K - - N - LE - S9

Function

NEBV	Connecting cables for valves
------	------------------------------

Connection technology on the left, field device side

C1S	Socket type C, narrow design
-----	------------------------------

Cable outlet on the left

W	Angled
---	--------

Number of pins/wires, left

2	2-pin
3	3-pin

Indicator

-	No indicator
L	LED

Circuitry

-	No circuitry
P	Protective circuit

Cable characteristic

K	Standard
---	----------

Cable length

0.5 ... 30	0.5 ... 30 m
------------	--------------

Cable identification

N	Without label holder
---	----------------------

Connection technology on the right, controller side

LE	Open end
----	----------

Number of pins/wires, right

2	2-wire
3	3-wire

Degree of protection, electrical system

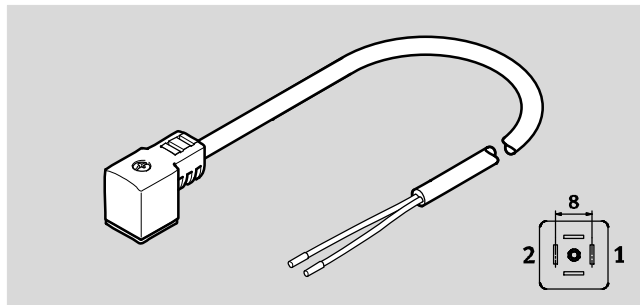
S9	IP65/P67
----	----------

Connecting cables for valves, socket type C, narrow, 2-pin

Technical data

Connecting cable NEBV-C1SW2

- Connecting cable
- Pre-assembled at one end
- For connecting valves
- Cable lengths 0.5 ... 30 m



General technical data	
Cable identification	Without inscription label holder

Technical data – Electrical connection 1	
Function	Field device side
Connection type	Socket, narrow
Cable outlet	Angled
Note on cable outlet	180° rotatable
Design type	Square
Connection technology	Connection pattern type C, to EN 175301-803
Number of pins/wires	4
Assigned pins/wires	2
Type of mounting	On solenoid valve via M2.5 central screw
Signal status indicator	Yellow LED
Additional functions	Protective circuit

Technical data – Electrical connection 2	
Function	Controller side
Connection type	Cable
Connection technology	Open end
Number of poles/wires	2
Assigned pins/wires	2

Technical data – Electrical		
Nominal operating voltage	[V DC]	24
Operating voltage range	[V DC]	20.4 ... 26.4
Surge resistance	[kV]	2.4
Current rating at 40 °C	[A]	6
Contamination level		3
Contact durability		50
Reverse polarity protection		Bipolar
Protective earth connection		Not present

Connecting cables for valves, socket type C, narrow, 2-pin

Technical data

Technical data – Cables		
Cable diameter	[mm]	5.2
Cable diameter tolerance	[mm]	±0.1
Cable composition	[mm ²]	2x0.75
Nominal conductor cross section	[mm ²]	0.75
Cable characteristic		Standard
Bending radius, flexible cable installation	[mm]	≥52
Cable test conditions		Test conditions on request

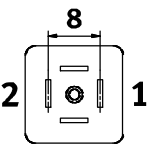
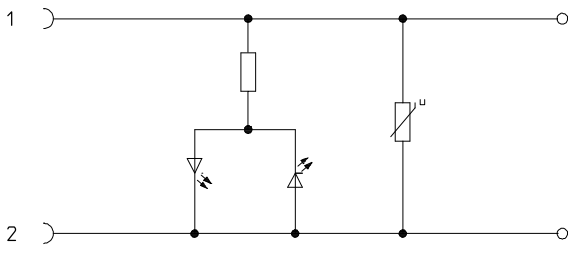
Materials	
Housing	TPE-U(PU)
Housing colour	Black
Screws	Stainless steel
Seals	HNBR
Pin contacts	Tin-plated copper alloy
Cable sheath	PVC
Cable sheath colour	Grey
Insulating sheath	PVC
Note on materials	RoHS-compliant

Operating and environmental conditions		
Ambient temperature	[°C]	–20 ... +70
Ambient temperature with flexible cable installation	[°C]	–5 ... +70
Degree of protection		IP65
		IP67
Note on degree of protection		In assembled state
Corrosion resistance class CRC ¹⁾		3

1) Corrosion resistance class CRC 3 to Festo standard FN 940070
 High corrosion stress. Outdoor exposure under moderate corrosive conditions. External visible parts with primarily functional requirements for the surface and which are in direct contact with a normal industrial environment.

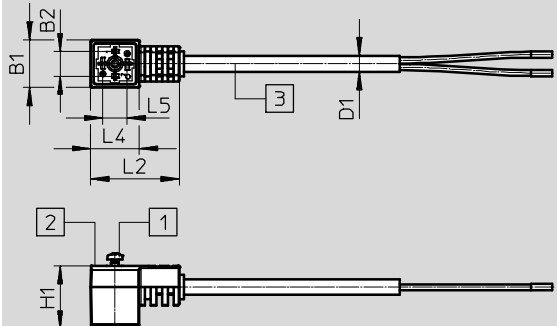
Connecting cables for valves, socket type C, narrow, 2-pin

Technical data

Circuitry (view of socket/plug connector)				
Electrical connection 1	Pin	Circuitry	Wire colour ¹⁾	Electrical connection 2
	1		BK	Open end
	2		BK	Open end

1) To IEC 757

Dimensions Download CAD data → www.festo.com



- 1 M3 mounting screw
- 2 Signal status indicator
- 3 Cable, length 0.5 ... 30 m depending on order

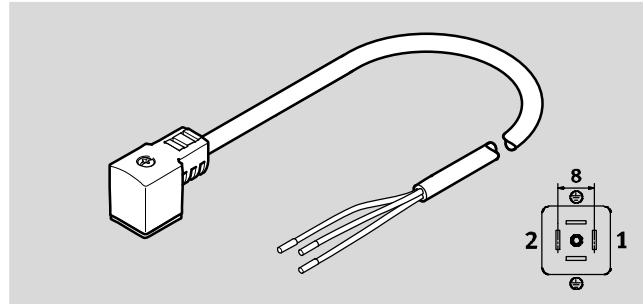
Type	B1	B2	D1	H1	L2	L4	L5
NEBV-C1SW2L...-S9	15.5	8	5.2	20.8	29	16	8

Connecting cables for valves, socket type C, narrow, 4-pin

Technical data

Connecting cable NEBV-C1SW3

- Connecting cable
- Pre-assembled at one end
- For connecting valves
- Cable lengths 0.5 ... 30 m



General technical data	
Cable identification	Without inscription label holder

Technical data – Electrical connection 1	
Function	Field device side
Connection type	Socket, narrow
Cable outlet	Angled
Note on cable outlet	180° rotatable
Design type	Square
Connection technology	Connection pattern type C, to EN 175301-803
Number of pins/wires	4
Assigned pins/wires	4
Type of mounting	On solenoid valve via M2.5 central screw

Technical data – Electrical connection 2	
Function	Controller side
Connection type	Cable
Connection technology	Open end
Number of poles/wires	3
Assigned pins/wires	3

Technical data – Electrical		
Operating voltage range	[V DC]	0 ... 230
	[V AC]	0 ... 230
Surge resistance	[kV]	4
Current rating at 40 °C	[A]	6
Contamination level		3
Contact durability		50
Reverse polarity protection		Bipolar
Protective earth connection		Present

Connecting cables for valves, socket type C, narrow, 4-pin

Technical data

Technical data – Cables		
Cable diameter	[mm]	5.2
Cable diameter tolerance	[mm]	±0.1
Cable composition	[mm ²]	3x0.5
Nominal conductor cross section	[mm ²]	0.5
Cable characteristic		Standard
Bending radius, flexible cable installation	[mm]	≥52
Cable test conditions		Test conditions on request

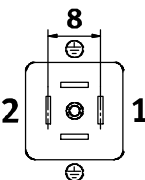
Materials	
Housing	TPE-U(PU)
Housing colour	Black
Screws	Stainless steel
Seals	HNBR
Pin contacts	Tin-plated copper alloy
Cable sheath	PVC
Cable sheath colour	Grey
Insulating sheath	PVC
Note on materials	RoHS-compliant

Operating and environmental conditions		
Type		NEBV-C1SW3
Ambient temperature	[°C]	–20 ... +70
Ambient temperature with flexible cable installation	[°C]	–5 ... +70
Degree of protection		IP65 IP67
Note on degree of protection		In assembled state
Corrosion resistance class CRC ¹⁾		3
CE marking (see declaration of conformity) ²⁾		To EU Low Voltage Directive

- 1) Corrosion resistance class CRC 3 to Festo standard FN 940070
High corrosion stress. Outdoor exposure under moderate corrosive conditions. External visible parts with primarily functional requirements for the surface and which are in direct contact with a normal industrial environment.
- 2) Additional information www.festo.com/sp → Certificates.

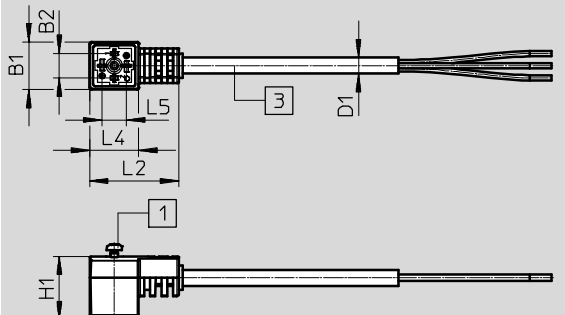
Connecting cables for valves, socket type C, narrow, 4-pin

Technical data

Circuitry (view of socket/plug connector)				
Electrical connection 1	Pin	Circuitry	Wire colour ¹⁾	Electrical connection 2
	1	1) ————— ○	BK	Open end
	2	2) ————— ○	BK	Open end
	GND	⊕) ————— ○	PE	Open end
	GND	⊕) ————— ○		

1) To IEC 757

Dimensions Download CAD data → www.festo.com



- 1 M2.5 mounting screw
- 3 Cable, length 0.5 ... 30 m depending on order

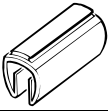
Type	B1	B2	D1	H1	L2	L4	L5
NEBV-C1SW3-...-S9	15.5	8	5.2	20.8	29	16	8

Connecting cables for valves, socket type C, narrow

FESTO

Ordering data

Ordering data					
Operating voltage		Cable length [m]	Weight [g]	Part No.	Type
Socket type C, narrow, 2-pin – open cable end, 2-wire					
24 V DC	<ul style="list-style-type: none"> • Signal status indicator • Protective circuit 	2.5	120	8032623	NEBV-C1SW2L-P-K-2.5-N-LE2-S9
		5	230	8032626	NEBV-C1SW2L-P-K-5-N-LE2-S9
		10	440	8032627	NEBV-C1SW2L-P-K-10-N-LE2-S9
Socket type C, narrow, 4-pin – open cable end, 3-wire					
0 ... 230 V AC/DC	–	2.5	125	8032628	NEBV-C1SW3-K-2.5-N-LE3-S9
		5	235	8032629	NEBV-C1SW3-K-5-N-LE3-S9

Ordering data – Accessories				Part No.	Type
	Inscription labels for placing on a cable with diameter 5 ... 8 mm	11x20 mm		33361	KM-BZ

Connecting cables for valves, socket type C, narrow

Ordering data – Modular product system

Ordering table		Condi- tions	Code	Entry code
M	Module no.	8003577		
	Connecting cable	Connecting cables for valves	NEBV	NEBV
	Connection technology on the left, field device side	Socket type C, narrow design	-C1S	-C1S
	Cable outlet on the left	Angled	W	W
	Number of pins/wires, left	2-pin	2	
		3-pin	3	
O	Indicator	None	2	
		Signal status LED	1	L
	Circuitry	None	2	
		Integrated protective circuit	1	-P
M	Cable characteristic	Standard	-K	-K
	Cable length [m]	0.5 ... 30	-...	
	Cable identification	Without inscription label holder	-N	-N
		Open end	-LE	-LE
	Number of pins/wires, right	2-pin	1	2
		3-pin	2	3
	Degree of protection, electrical system	IP65/IP67	-S9	-S9

- 1** L, -P, 2 Only with number of pins/wires, left = 2-pin
- 2** 3 Only with number of pins/wires, left = 3-pin

M Mandatory data
O Options

Transfer order code

8003577 **NEBV** - **C1S** **W** - - **K** - - **N** - **LE** - **S9**

Festo - Your Partner in Automation



1 Festo Inc.
5300 Explorer Drive
Mississauga, ON L4W 5G4
Canada

Festo Customer Interaction Center
Tel: 1 877 463 3786
Fax: 1 877 393 3786
Email: customer.service.ca@festo.com

2 Festo Pneumatic
Av. Ceylán 3,
Col. Tequesquináhuac
54020 Tlalneantla,
Estado de México

Multinational Contact Center
01 800 337 8669
ventas.mexico@festo.com

3 Festo Corporation
1377 Motor Parkway
Suite 310
Islandia, NY 11749

Festo Customer Interaction Center
1 800 993 3786
1 800 963 3786
customer.service.us@festo.com

4 Regional Service Center
7777 Columbia Road
Mason, OH 45040

Connect with us



www.festo.com/socialmedia



www.festo.com

Subject to change