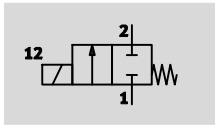





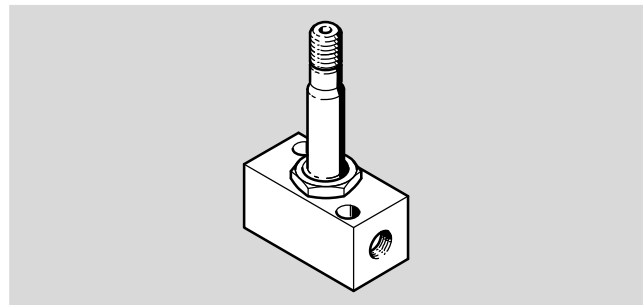
Directly actuated valves, 2/2-way solenoid valves

Technical data

Function



-  - Flow rate
300 l/min
-  - Temperature range
-5 ... +40 °C
-  - Pressure
-0.95 ... +7 bar



Operation with different pressures

Vacuum operation

The direction of flow is clearly defined and cannot be reversed.

It must therefore be ensured that this direction of flow is observed even

when operating the valve with vacuum.

This is achieved by connecting the vacuum to port 2.

Duty cycle

Up to an operating pressure of 5.5 bar, 100% duty cycle is permissible; for the pressure range 5.5 ... 7 bar the value is reduced to 40 %.

Reverse operation

Reverse operation is not possible; the direction of flow cannot be reversed.



Note

Vacuum must not be connected to port 1.

General technical data

Valve function	2/2, normally closed, single solenoid
Design	Poppet valve with spring return
Sealing principle	Soft
Reset method	Mechanical spring
Actuation type	Electric
Type of control	Direct
Direction of flow	Non-reversible
Manual override	None
Nominal width	[mm] 4
Standard nominal flow rate	[l/min] 300
Type of mounting	Via through-holes
Pneumatic port	1 G1/8 2 G1/8
Note on materials	RoHS-compliant

Operating and environmental conditions

Operating medium	Compressed air to ISO 8573-1:2010 [7:4:4]
Operating pressure	[bar] -0.95 ... +7
Ambient temperature	[°C] -5 ... +40
Temperature of medium	[°C] -10 ... +60
Storage temperature	[°C] -40 ... +100
Certification	c CSA us (OL)

Directly actuated valves, 2/2-way solenoid valves



Technical data

Electrical data											
Direct voltage	Operating voltage	[V DC]	12	24	42	96	110	220	240		
	Power consumption	[W]	11.7	11	12	11	12.7	15	17.9		
AC voltage	Operating voltage	[V AC]	12	24	42	48	110	120	220	240	380
		[Hz]	50	50	50/60	50	50/60	60	50/60	50	50/60
	Pick-up power	[VA]	30								
	Holding capacity	[VA]	22								
Duty cycle		[%]	100	100	100	100	100	100	100	100	
Degree of protection to EN 60529			IP65	IP65	IP65	IP65	IP65	IP65	IP65	IP65	

Switching times and frequencies			
Switching time	On	[ms]	18
	Off	[ms]	20

Dimensions Download CAD data → www.festo.com

1 Rotatable solenoid coil
2 Plug can be repositioned in steps of 90°

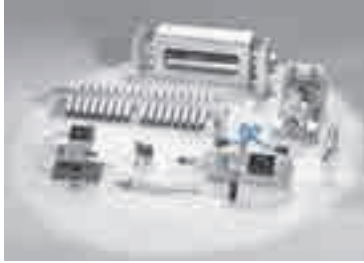
Type	B1	B2	D1	D2 Ø	D3 Ø	H1	H2	H3	L1	L2	L3	L4	L5	T1
MC-2-1/8	32	22	G1/8	8	4.5	77	25	12	50	35	77	70	18	4.7

Ordering data		Part No.	Type
	2/2-way solenoid valve, normally closed, single solenoid	2187	MC-2-1/8

Product Range and Company Overview

A Complete Suite and Company Overview

Our experienced engineers provide complete support at every stage of your development process, including: conceptualization, analysis, engineering, design, assembly, documentation, validation, and production.



Custom Automation Components
Complete custom engineered solutions



Custom Control Cabinets
Comprehensive engineering support and on-site services



Complete Systems
Shipment, stocking and storage services

The Broadest Range of Automation Components

With a comprehensive line of more than 30,000 automation components, Festo is capable of solving the most complex automation requirements.



Electromechanical
Electromechanical actuators, motors, controllers & drivers



Pneumatics
Pneumatic linear and rotary actuators, valves, and air supply



PLCs and I/O Devices
PLC's, operator interfaces, sensors and I/O devices

Supporting Advanced Automation... As No One Else Can!

Festo is a leading global manufacturer of pneumatic and electromechanical systems, components and controls for industrial automation, with more than 16,000 employees in 60 national headquarters serving more than 180 countries. For more than 80 years, Festo has continuously elevated the state of manufacturing with innovations and optimized motion control solutions that deliver higher performing, more profitable automated manufacturing and processing equipment. Our dedication to the advancement of automation extends beyond technology to the education and development of current and future automation and robotics designers with simulation tools, teaching programs, and on-site services.

Quality Assurance, ISO 9001 and ISO 14001 Certifications

Festo Corporation is committed to supply all Festo products and services that will meet or exceed our customers' requirements in product quality, delivery, customer service and satisfaction.

To meet this commitment, we strive to ensure a consistent, integrated, and systematic approach to management that will meet or exceed the requirements of the ISO 9001 standard for Quality Management and the ISO 14001 standard for Environmental Management.



© Copyright 2013, Festo Corporation. While every effort is made to ensure that all dimensions and specifications are correct, Festo cannot guarantee that publications are completely free of any error, in particular typing or printing errors. Accordingly, Festo cannot be held responsible for the same. For Liability and Warranty conditions, refer to our "Terms and Conditions of Sale", available from your local Festo office. All rights reserved. No part of this publication may be reproduced, distributed, or transmitted in any form or by any means, electronic, mechanical, photocopying or otherwise, without the prior written permission of Festo. All technical data subject to change according to technical update.



Printed on recycled paper at New Horizon Graphic, Inc., FSC certified as an environmental friendly printing plant.

Festo North America



**1 Festo Canada
Headquarters
Festo Inc.**
5300 Explorer Drive
Mississauga, ON
L4W 5G4

2 Montréal
5600, Trans-Canada
Pointe-Claire, QC
H9R 1B6

3 Québec City
2930, rue Watt#117
Québec, QC
G1X 4G3



**4 Festo United States
Headquarters
Festo Corporation**
395 Moreland Road
Hauppauge, NY
11788

5 Appleton
North 922 Tower View Drive, Suite N
Greenville, WI
54942

7 Detroit
1441 West Long Lake Road
Troy, MI
48098

6 Chicago
85 W Algonquin - Suite 340
Arlington Heights, IL
60005

8 Silicon Valley
4935 Southfront Road, Suite F
Livermore, CA
94550

Festo Regional Contact Center

Canadian Customers

Commercial Support:
Tel: 1 877 GO FESTO (1 877 463 3786)
Fax: 1 877 FX FESTO (1 877 393 3786)
Email: festo.canada@ca.festo.com

Technical Support:

Tel: 1 866 GO FESTO (1 866 463 3786)
Fax: 1 877 FX FESTO (1 877 393 3786)
Email: technical.support@ca.festo.com

USA Customers

Commercial Support:
Tel: 1 800 99 FESTO (1 800 993 3786)
Fax: 1 800 96 FESTO (1 800 963 3786)
Email: customer.service@us.festo.com

Technical Support:

Tel: 1 866 GO FESTO (1 866 463 3786)
Fax: 1 800 96 FESTO (1 800 963 3786)
Email: product.support@us.festo.com