

Mini slide units EGSS-BS

FESTO

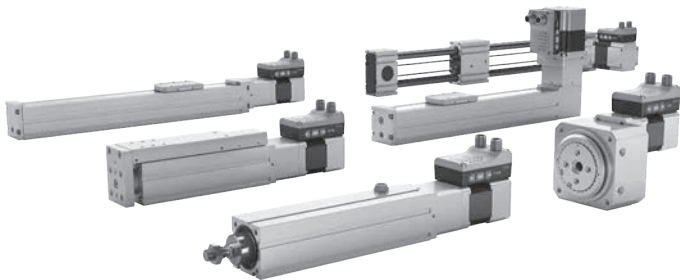


This product is also available as a modular mechanical system
Mini slide EGSC-BS



Key features

At a glance
Plug and work with the Simplified Motion Series



The simplicity of pneumatics is now combined for the first time with the advantages of electric automation thanks to the Simplified Motion Series. These integrated drives are the perfect solution for all users who are looking for an electric alternative for very simple movement and positioning tasks between two mechanical end positions, but don't want the commissioning process for traditional electric drive systems that can often be quite complex.

IO-Link

There is no need for any software since operation is simply based on the "plug and work" principle. Digital I/O (DIO) and IO-Link are always automatically included – a product with two types of control as standard.

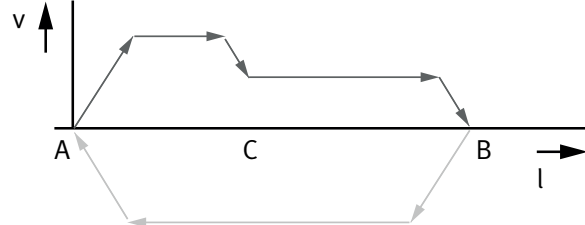
Integrated	Simple	Standardised	Connected
The integrated electronics in the drive are at the core of the Simplified Motion Series.	For commissioning, simply set all relevant parameters directly on the drive: <ul style="list-style-type: none"> • Speed and force • Reference end position and cushioning • Manual operation 	Electrical connection via M12 plug design <ul style="list-style-type: none"> • Power (4-pin): power supply for the motor • Logic (8-pin): control signal, sensor signal and power for the integrated electronics 	Use of extended functions via IO-Link: <ul style="list-style-type: none"> • Motion parameters can be set remotely • Copy and backup function for transferring parameters • Read function for extended process parameters

The functions of the Simplified Motion Series

Basic profile for movement between two end positions: with speed control

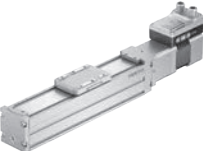
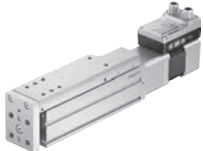


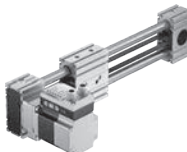



Extended motion profile for simplified press-fitting and clamping functions: with speed and force control



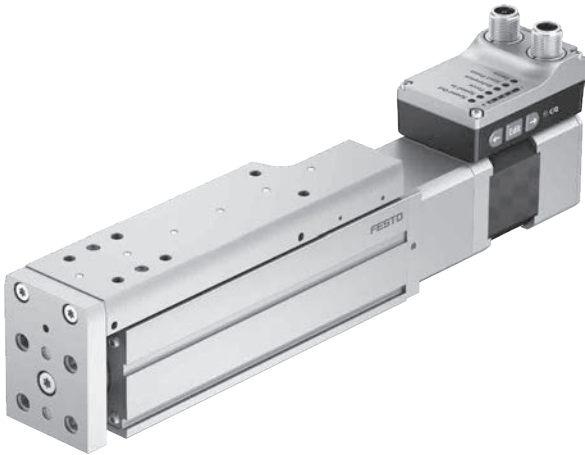
- These drives are designed for simple movements between two end positions.
- Proximity switches are required in order to implement any intermediate positions.

The products in the Simplified Motion Series

Spindle axis unit ELGS-BS-KF	Mini slide unit EGSS-BS-KF	Electric cylinder unit EPCS
		
Toothed belt axis unit ELGS-TB-KF	Toothed belt axis unit ELGE	Rotary drive unit ERMS
		

Key features

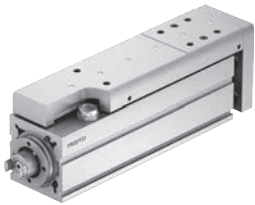
At a glance



- Without external servo drive: all the necessary electronic components are combined in the integrated drive
- Two control options integrated as standard: digital I/O and IO-Link
- Complete solution for simple movements between two mechanical end positions
- Simplified commissioning: all parameters can be manually set directly on the drive
- No special expertise required for commissioning
- End position feedback similar to that of a conventional proximity switch is integrated as standard
- Very high-quality ball screw drive with minimal internal friction
- Rigid, high load-bearing and precise linear guide for absorbing lateral forces and for increased protection against rotation

Modular and flexible with motor, motor mounting kit and servo drive

This product is also available as a modular mechanical system as spindle axis EGSC-BS:



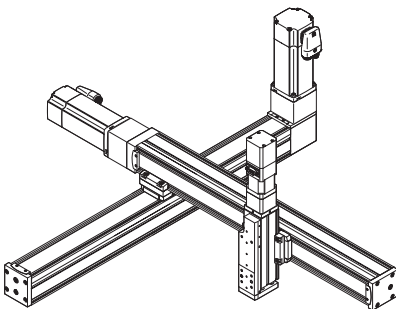
When compact dimensions and optimised installation space are important, e.g. in assembly systems, test and inspection systems, small parts handling, the electronics industry and desktop applications. Either as an individual axis or as a handling system.

- Compact: optimum ratio of installation space to working space
- Unique: "one-size-down" mounting system
- Modular: individual combinations with motor, motor mounting kit and servo drive
- Flexible: wide range of mounting options for optimum machine integration

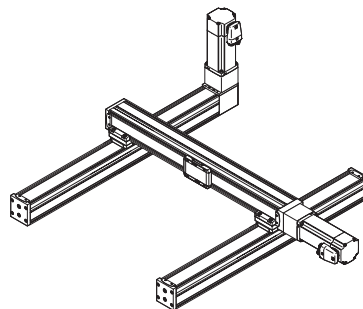
Typical handling systems

For applications where compact dimensions are essential, the axes ELGC can be combined into very space-saving handling systems that are suitable for assembly systems, test and inspection systems, small parts handling, the electronics industry and desktop applications. The very compact linear axes ELGC, mini slide EGSC and electric cylinder EPCC offer an optimal ratio between installation space and working space. They feature a common system approach and platform architecture and the connections are largely adapterless.

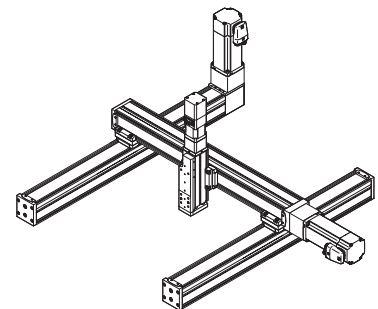
Cantilever system



Planar surface gantry



Three-dimensional gantry

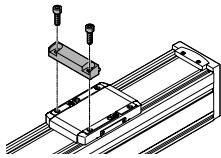


Key features

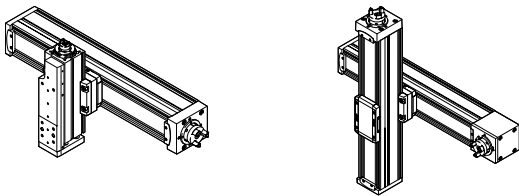
Matrix showing combinations between axis ELGC/ELGS-TB, ELGC/ELGS-BS, mini slide EGSC/EGSS-BS, electric cylinder EPCC/EPCS-BS and guide axis ELFC
 Mounting options with profile mounting and via angle kit

	Size	Assembly axis ELGC-BS/-TB; ELFC; EGSC-BS; EPCC-BS; ELGS-BS/-TB; EGSS-BS, EPCS-BS			
		25	32	45	60
Base axis	32	■	-	-	-
ELGC-BS/-TB; ELFC;	45	-	■	-	-
ELGS-BS/-TB	60	-	-	■	-
	80	-	-	-	■

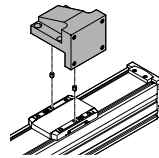
With profile mounting EAHF-L2-...-P-D...



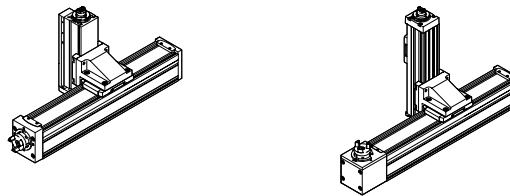
- Mounting option: base axis with one-size-down assembly axis



With angle kit EHAA-D-L2-...-AP



- Mounting option: base axis rotated through 90° with one-size-down assembly axis



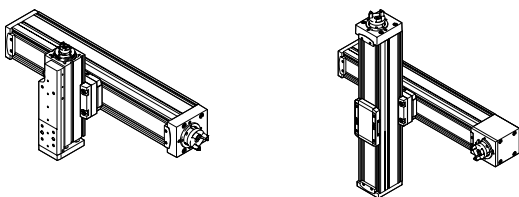
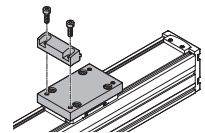
Matrix showing combinations between axis ELGC/ELGS-TB, ELGC/ELGS-BS, mini slide EGSC/EGSS-BS, electric cylinder EPCC/EPCS-BS and guide axis ELFC
 Assembly options with adapter kit or direct mounting

	Size	Assembly axis ELGC-BS/-TB; ELFC; EGSC-BS; EPCC-BS; ELGS-BS/-TB; EGSS-BS, EPCS-BS				
		25	32	45	60	80
Base axis	32	■	-	-	-	-
ELGC-BS/-TB; ELFC;	45	-	■	-	-	-
ELGS-BS/-TB	60	-	-	■	-	-
	80	-	-	-	■	-

	Size	Assembly axis EGSC-BS; EGSS-BS			
		25	32	45	60
Base axis	25	■	-	-	-
EGSC-BS;	32	-	■	-	-
EGSS-BS	45	-	-	■	-
	60	-	-	-	■

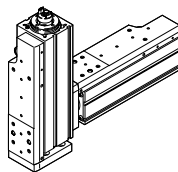
With adapter kit EHAA-D-L2

- Mounting option: base axis with the same size assembly axis
- Mounting option: base axis with height adjustment for one-size-down assembly axis
- When motors are mounted using parallel kits, this may lead to interfering contours. In this case, the adapter plate is required for height compensation



With direct mounting

- Mounting option: base axis with the same size assembly axis



Type codes

001	Series
EGSS	Electric slide drive

002	Drive system
BS	Ball screw drive

003	Guide
KF	Recirculating ball bearing guide

004	Size
32	32
45	45
60	60

005	Stroke
25	25
50	50
75	75
100	100
125	125
150	150
200	200

006	Spindle pitch
8P	8 mm
10P	10 mm
12P	12 mm

007	Motor type
ST	Stepper motor ST

009	Controller
M	Integrated

010	Control panel
H1	Integrated

011	Bus protocol/activation
PLK	PNP and IO-Link®
NLK	NPN and IO-Link®

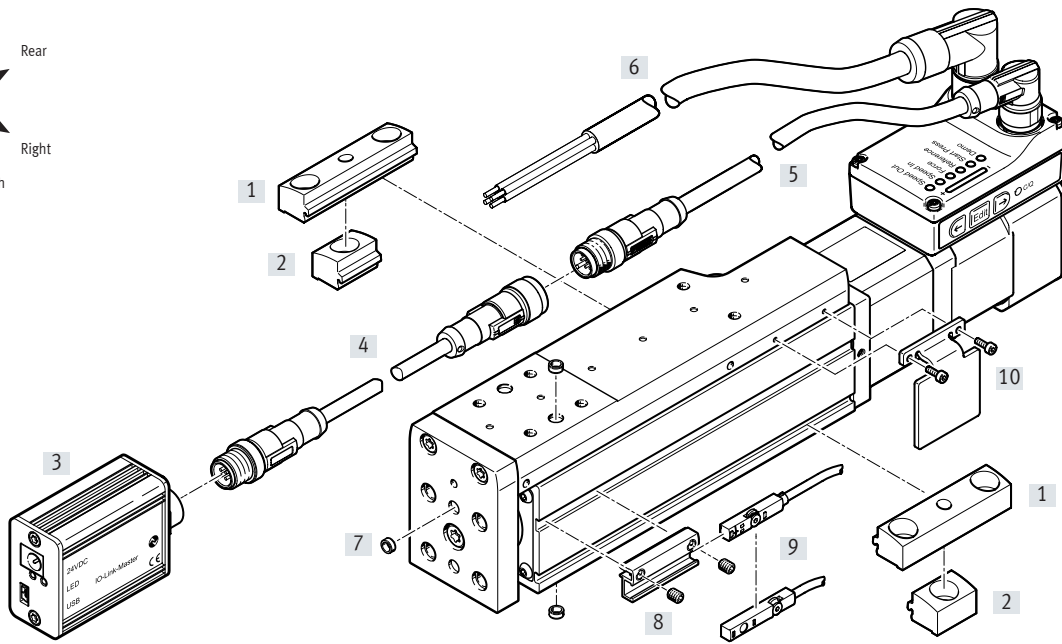
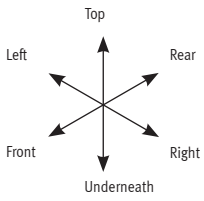
013	End-position sensing
AA	With integrated end-position sensing

014	Cable outlet direction
	Standard
D	Underneath
L	Left
R	Right

015	Electrical accessories
	None
L1	Adapter for operation as IO-Link® device

016	Operating instructions
	With operating instructions
DN	No operating instructions

Peripherals overview



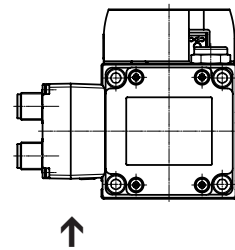
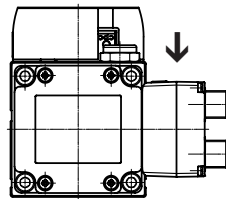
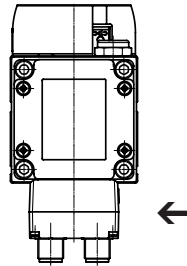
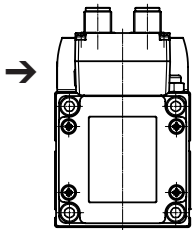
Motor attachment variants

Standard

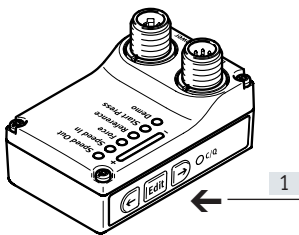
[D] Underneath

[L] Left

[R] Right



Control elements



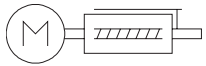
[1] Pushbutton actuators for parameterisation and control



Peripherals overview

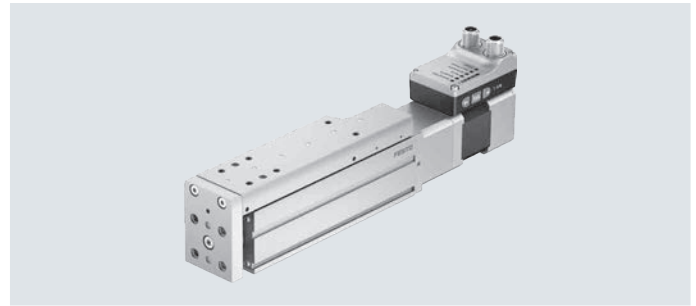
Accessories			
	Type/order code	Description	→ Page/Internet
[1]	Profile mounting EAHF-L2-...-P	For mounting the axis on the side of the profile. The profile mounting can be attached to the mounting surface using the drill hole in the centre	22
[2]	Profile mounting EAHF-L2-...-PS	For mounting the axis on the side of the profile	23
[3]	IO-Link master USB CDSU-1	For straightforward use of the mini slide unit via IO-Link	26
[4]	Adapter NEFC-M12G8	Connection between the motor and the and IO-Link master	26
[5]	Connecting cable NEBC-M12	For connection to a controller	27
[6]	Supply cable NEBL-T12	For connecting load and logic supply	26
[7]	Centring pin/sleeve ZBS, ZBH	For centring loads and attachments	25
[8]	Sensor bracket ¹⁾ EAPM-L2	For mounting the proximity switches on the axis. The proximity switches can only be mounted using the sensor bracket	24
[9]	Proximity switch ¹⁾ SIES-8M	Inductive proximity switch, for T-slot	25
	Proximity switch ¹⁾ SMT-8M	Magnetic proximity switch, for T-slot	25
[10]	Switch lug ¹⁾ EAPM-...-SLS	For sensing the slide position in conjunction with inductive proximity switches SIES-8M	24

1) Proximity switches are optional and only required in order to sense any intermediate positions.

Data sheet



-  - Size
32 ... 60
-  - Stroke length
25 ... 200 mm



General technical data				
Size		32	45	60
Design		Electric mini slide with ball screw drive and integrated drive		
Motor type		Stepper motor		
Guide		Recirculating ball bearing guide		
Mounting position		Any		
Working stroke	[mm]	25, 50, 75, 100	25, 50, 75, 100, 125, 150	50, 75, 100, 125, 150, 200
Stroke reserve	[mm]	0		
Additional functions		Integrated end-position sensing		
		User interface		
Display		LED		
Homing		Positive fixed stop block		
		Negative fixed stop block		
Type of mounting		With female thread		
		With accessories		
		With centring pin, centring sleeve		
Max. line length				
Inputs/outputs	[m]	15		
IO-Link operation	[m]	20		

Mechanical data				
Size		32	45	60
Max. payload				
Horizontal	[kg]	2	6	10
Vertical	[kg]	2	6	10
Max. feed force F_x	[N]	60	120	250
Max. radial force ¹⁾	[N]	140	340	420
Max. speed	[m/s]	0.19	0.25	0.24
Max. acceleration	[m/s ²]	5		
Repetition accuracy	[mm]	±0.015		
Reversing backlash	[µm]	150		
Position sensing		For proximity switch		
		Via IO-Link		

1) At the drive shaft

Data sheet

Spindle				
Size		32	45	60
Diameter	[mm]	8	10	12
Pitch	[mm/rev.]	8	10	12

Electrical data				
Size		32	45	60
Motor				
Nominal voltage DC	[V]	24 (±15%)		
Nominal current	[A]	3	3	5.3
Max. current consumption (load)	[A]	3	3	5.3
Max. current consumption (logic)	[mA]	300		
Encoder				
Rotor position encoder		Absolute encoder, single turn		
Rotor position encoder measuring principle		Magnetic		
Rotor position encoder resolution	[bit]	16		

Interfaces				
Size		32	45	60
Parameterisation interface				
IO-Link		Yes		
User interface		Yes		
Digital inputs				
Number		2		
Switching logic		PNP NPN		
Properties		Not galvanically isolated Configurable		
Specification		Based on IEC 61131-2, type 1		
Working area	[V]	24		
Digital outputs				
Number		2		
Switching logic		PNP NPN		
Rotor position encoder		Absolute encoder, single turn		
Properties		Not galvanically isolated Configurable		
Max. current	[mA]	100		

Data sheet

Technical data – IO-Link				
Size		32	45	60
SIO-mode support		Yes		
Communication mode		COM3 (230.4 kBaud)		
Connection technology		Plug		
Port class		A		
Number of ports		1		
Process data width OUT	[bytes]	2		
Process data content OUT	[bit]	1 (Move in)		
	[bit]	1 (Move out)		
	[bit]	1 (Quit Error)		
Process data width IN	[bytes]	2		
Process data content IN	[bit]	1 (State Device)		
	[bit]	1 (State Move)		
	[bit]	1 (State in)		
	[bit]	1 (State out)		
Service data contents IN	[bit]	32 (Force)		
	[bit]	32 (Position)		
	[bit]	32 (Speed)		
Minimum cycle time	[ms]	1		
Data memory required	[Kilobyte]	0.5		
Protocol version		Device V 1.1		

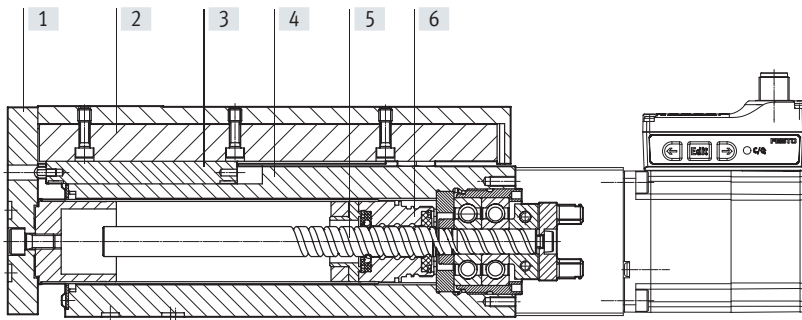
Operating and environmental conditions				
Size		32	45	60
Insulation class		B		
Ambient temperature	[°C]	0 ... +50		
Storage temperature	[°C]	-20 ... +60		
Note on ambient temperature		Above an ambient temperature of 30°C, the power must be reduced by 2% per K		
Relative humidity	[%]	0 ... 90		
Protection class		III		
Degree of protection		IP40		
Duty cycle	[%]	100		
CE marking		To EU EMC Directive		
		To EU RoHS Directive		
KC mark		KC-EMV		
Certification		RCM compliance mark		
Vibration resistance		Transport application check with severity level 1 to FN 942017-4 and EN 61800-2 and EN 61800-5-1		
Shock resistance		Shock test with severity level 1 to FN 942017-5 and EN 61800-2		
Maintenance interval		Life-time lubrication		

Weight				
Size		32	45	60
Basic weight with 0 mm stroke	[g]	924	1238	2735
Additional weight per 10 mm stroke	[g]	30	63	95
Moving mass at 0 mm stroke	[g]	149	212	675
Additional moving mass per 10 mm stroke	[g]	12	30	40

Data sheet

Materials

Sectional view

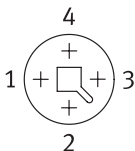


Axis	
[1]	Yoke plate Anodised wrought aluminium alloy
[2]	Slide Anodised wrought aluminium alloy
[3]	Guide rail Rolled steel
[4]	Housing Anodised wrought aluminium alloy
[5]	Spindle Rolled steel
[6]	Spindle nut Rolled steel
Note on materials RoHS-compliant Contains paint-wetting impairment substances	

Pin allocation

Power supply

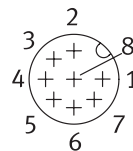
Plug
M12x1, 4-pin, T-coded to EN 61076-2-111



Pin	Function
1	Power supply (24 V DC)
2	Reference potential, power supply (GND)
3	Reserved, do not connect
4	Functional earth (FE)

Logic interface

Plug
M12x1, 8-pin, A-coded to EN 61076-2-101



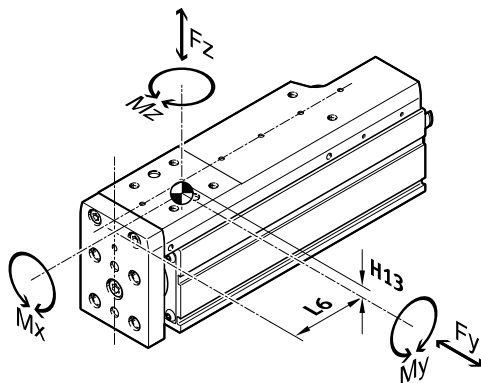
When used with digital I/O	
Pin	Function
1	Logic power supply (24 V DC)
2	Digital output 1 (State "In")
3	Digital output 2 (State "Out")
4	Reference potential, logic power supply (GND)
5	Digital input 1 (Move "In")
6	Digital input 2 (Move "Out")
7	Reserved, do not connect
8	Reference potential, logic power supply (GND)

When used with I/O-Link	
Pin	Function
1	L+ IO-Link power supply (24 V DC)
2	Reserved, do not connect
3	C/Q communication with the IO-Link master
4	L – Reference potential, IO-Link power supply (0 V)
5	Reserved, do not connect
6	Reserved, do not connect
7	Reserved, do not connect
8	L – Reference potential, IO-Link power supply (0 V)

Data sheet

Dynamic characteristic load values

The indicated forces and torques refer to the centre of the guide.
These values must not be exceeded during dynamic operation.



Distance from the centre of the guide

Size	32	45	60
Dimension H13 [mm]	7.9	10.2	15.9
Dimension L6 ¹⁾ [mm]	31.8	37.3	53.4

1) The dimension relates to the retracted position of the slide. In the advanced position, the dimension must be extended accordingly.

Max. permissible forces and torques for the bearing calculation, for a service life of 5 x 10⁶ cycles and max. stroke

Size	32	45	60
F _y max. [N]	991	1314	4937
F _z max. [N]	991	1314	4937
M _x max. [Nm]	3.4	8.1	20
M _y max. [Nm]	3.2	7	30
M _z max. [Nm]	3.2	7	30

Basic load ratings

Size	32	45	60
Dynamic			
Ball screw drive [N]	2000	3200	4600
Linear guide [N]	2135	3240	13400
Fixed bearing [N]	3795	7413	13321
Static			
Ball screw drive [N]	3700	5900	8500
Linear guide [N]	3880	5630	26900
Fixed bearing [N]	1792	3966	7000

Note
For a guide system to have a service life of 5 x 10⁶ cycles, the load comparison factor must have a value of f_v ≤ 1, based on the maximum permissible forces and torques for a service life of 5 x 10⁶ cycles.
This formula can be used to calculate a guide value.
The engineering software "PositioningDrives" is available for more precise calculations → www.festo.com

If the axis is subjected to two or more of the indicated forces and torques simultaneously, the following equation must be satisfied in addition to the indicated maximum loads:

Calculating the load comparison factor:

$$f_v = \frac{|F_{y1}|}{F_{y2}} + \frac{|F_{z1}|}{F_{z2}} + \frac{|M_{x1}|}{M_{x2}} + \frac{|M_{y1}|}{M_{y2}} + \frac{|M_{z1}|}{M_{z2}} \leq 1$$

F₁/M₁ = dynamic value
F₂/M₂ = maximum value

Data sheet

Calculating the service life

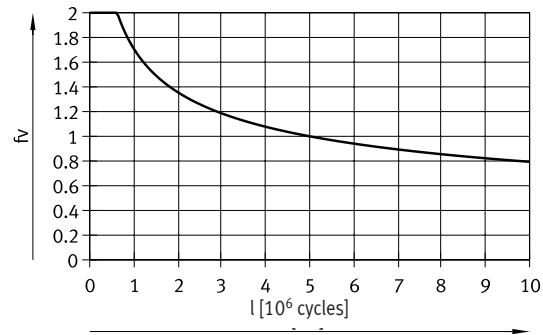
The service life of the guide depends on the load. To be able to make a statement as to the service life of the guide, the graph below plots the load comparison factor f_v against the service life.

These values are only theoretical. You must consult your local Festo contact for a load comparison factor f_v greater than 1.

Load comparison factor f_v as a function of service life l

Example:

A user wants to move an x kg load. Using the formula (→ page 12) gives a value of 1.5 for the load comparison factor f_v . According to the graph, the guide has a service life of approx. 1.5×10^6 cycles. Reducing the acceleration reduces the M_y and M_z values. A load comparison factor f_v of 1 now gives a service life of 5×10^6 cycles.



Comparison of the characteristic load values for 5×10^6 cycles with dynamic forces and torques of recirculating ball bearing guides

The characteristic load values of bearing guides are standardised to ISO and JIS using dynamic and static forces and torques. These forces and torques are based on an expected service life of the guide system of 100 km according to ISO or 50 km according to JIS.

As the characteristic load values are dependent on the service life, the maximum permissible forces and torques for a 5000 km service life cannot be compared with the dynamic forces and torques of bearing guides to ISO/JIS.

To make it easier to compare the guide capacity of mini slides EGSC with bearing guides, the table below lists the theoretically permissible forces and torques for a calculated service life of 100 km. This corresponds to the dynamic forces and torques to ISO.

These 100 km values have been calculated mathematically and are only to be used for comparing with dynamic forces and torques to ISO. The drives must not be loaded with these characteristic values as this could damage the axes.

Max. permissible forces and torques for a theoretical service life of 100 km (from a guide perspective only)

Application: mass m on the slide

Size		25	32	45	60
$F_{y_{max}}$	[N]	1310	2135	3240	13400
$F_{z_{max}}$	[N]	1310	2135	3240	13400
$M_{x_{max}}$	[Nm]	5	10	20	107
$M_{y_{max}}$	[Nm]	4	7	17	117
$M_{z_{max}}$	[Nm]	4	7	17	117

Service life of the motor

The service life of the motor at nominal power is 20000 h.

Data sheet

Sizing example

Application data:

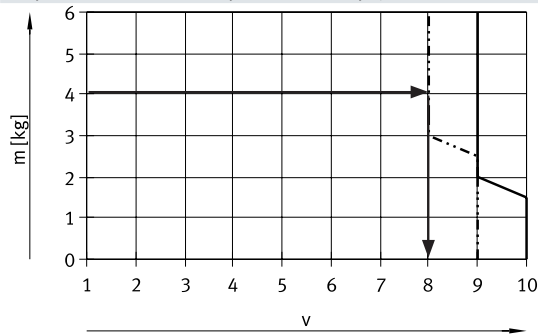
- Payload: 4 kg
- Mounting position: vertical
- Stroke: 100 mm
- Max. permitted positioning time: 1 s (one direction)

Step 1: Selection of the smallest possible size from the table → page 8

Mechanical data		32	45	60
Size		32	45	60
Max. payload				
Horizontal	[kg]	2	6	10
Vertical	[kg]	2	6	10

→ Smallest possible size: EGSS-BS-KF-45

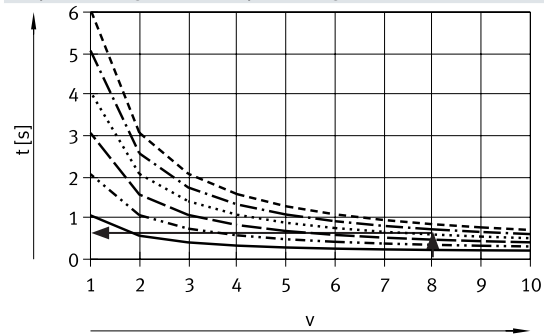
Step 2: Selection of max. speed level v for payload m



— Horizontal
- - - Vertical

→ Max. speed level for payload: level 8

Step 3: Reading off the min. positioning time t for stroke l



— $l = 25 \text{ mm}$
- - - $l = 50 \text{ mm}$
- - - $l = 75 \text{ mm}$
· · · $l = 100 \text{ mm}$
- · - $l = 125 \text{ mm}$
- - - $l = 150 \text{ mm}$

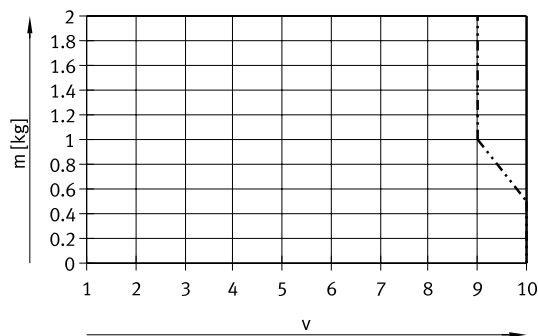
→ Min. positioning time for 100 mm at level 8: 0.6 s

Result

The application can be implemented using EGSS-BS-KF-45-100. A minimum positioning time (one direction) of 0.6 s is achieved. Longer positioning times can be selected at any time using a lower speed level.

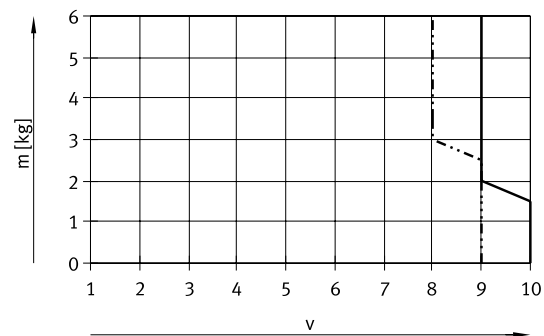
Mass m as a function of speed level v

Size 32



— Horizontal
- - - Vertical

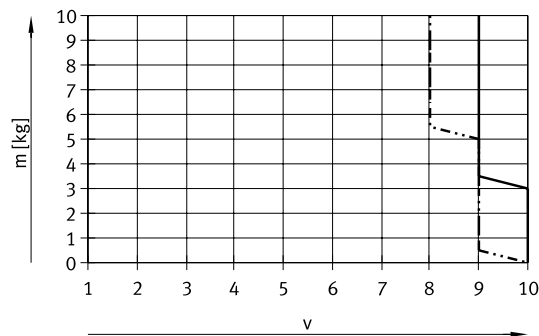
Size 45



Data sheet

Mass m as a function of speed level v

Size 60



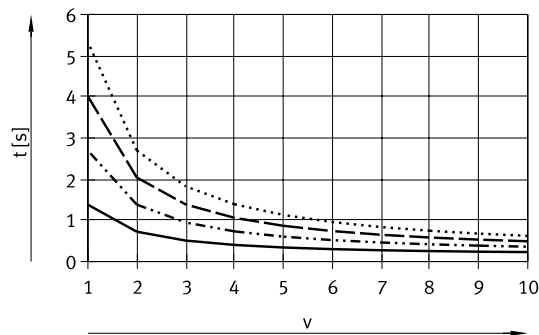
Note:

The lines represent the maximum values. The lower speed levels can be set at any time.

— Horizontal
 - - - Vertical

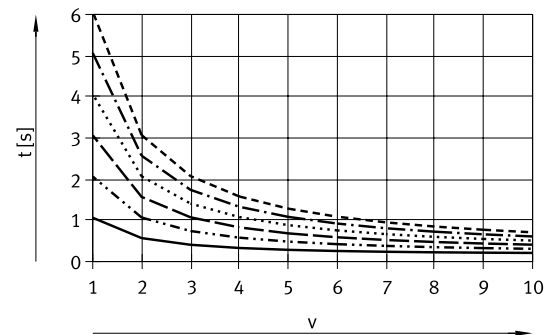
Positioning time t as a function of speed level v and stroke l

Size 32



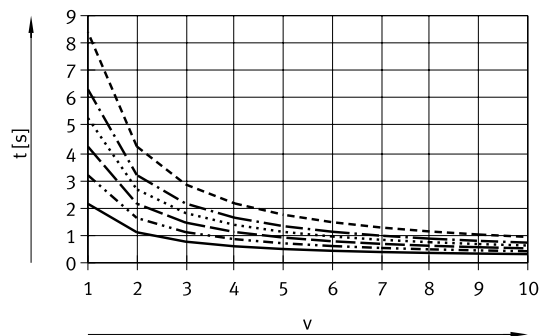
— l = 25 mm
 l = 50 mm
 - - - l = 75 mm
 - · - · l = 100 mm

Size 45



— l = 25 mm
 l = 50 mm
 - - - l = 75 mm
 - · - · l = 100 mm
 - - - - l = 125 mm
 - - - - l = 150 mm

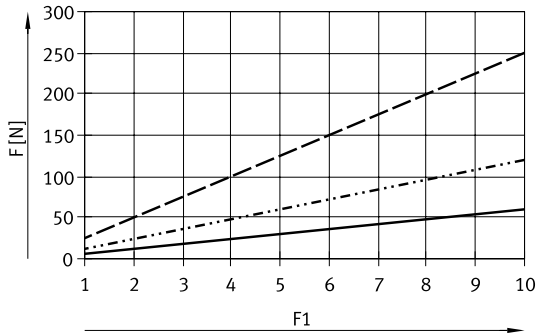
Size 60



— l = 50 mm
 l = 75 mm
 - - - l = 100 mm
 - · - · l = 125 mm
 - - - - l = 150 mm
 - - - - l = 200 mm

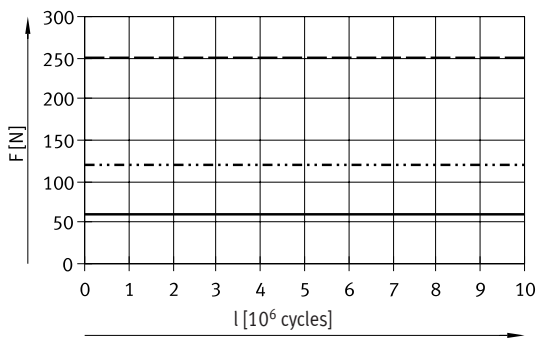
Data sheet

Feed force F as a function of force level F1



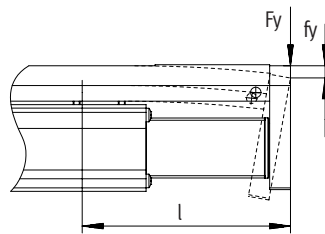
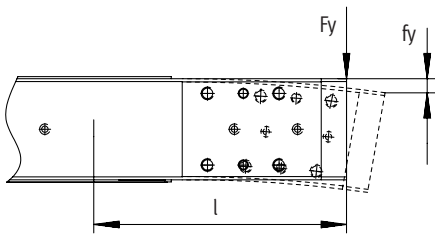
— EGSS-BS-32
 EGSS-BS-45
 - - - EGSS-BS-60

Feed force F as a function of service life l



— EGSS-BS-32
 EGSS-BS-45
 - - - EGSS-BS-60

Deflection f of the guide rail as a function of stroke l



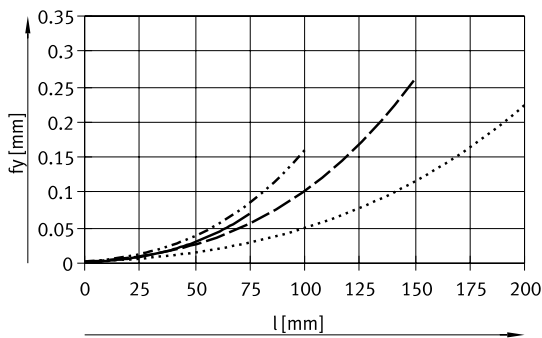
Fy/Fz at which the characteristic curves were determined

EGSS-BS-32: 10 N

EGSS-BS-45: 10 N

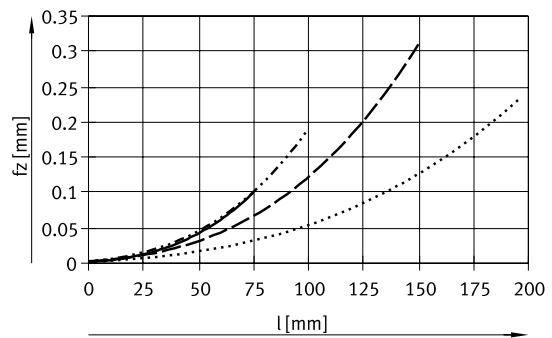
EGSS-BS-60: 10 N

Deflection fy



..... EGSS-BS-32
 - - - EGSS-BS-45
 — EGSS-BS-60

Deflection fz

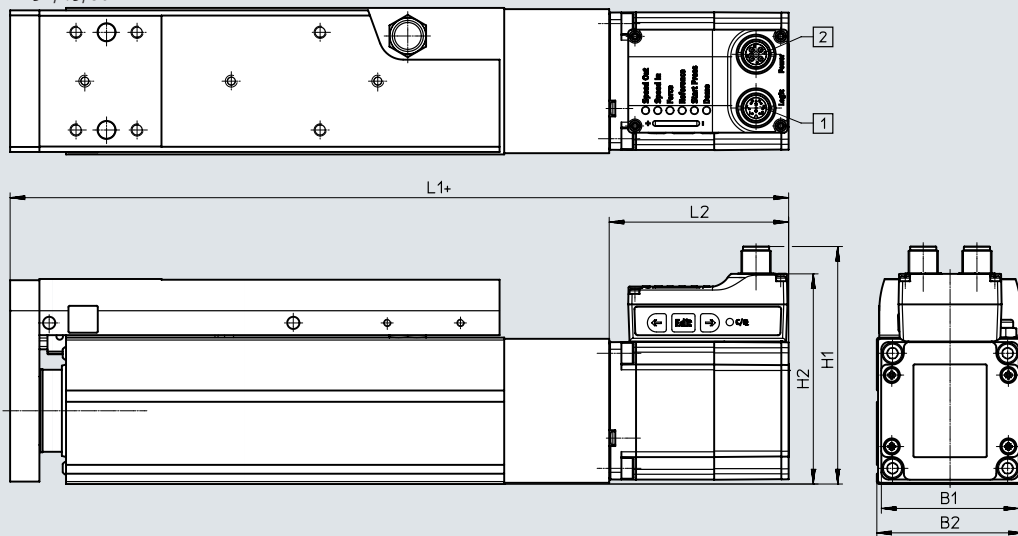


Data sheet

Dimensions – With motor

Download CAD data → www.festo.com

Size 32/45/60



- [1] Connection to logic interface
- [2] Connection to power supply
- + = plus stroke length

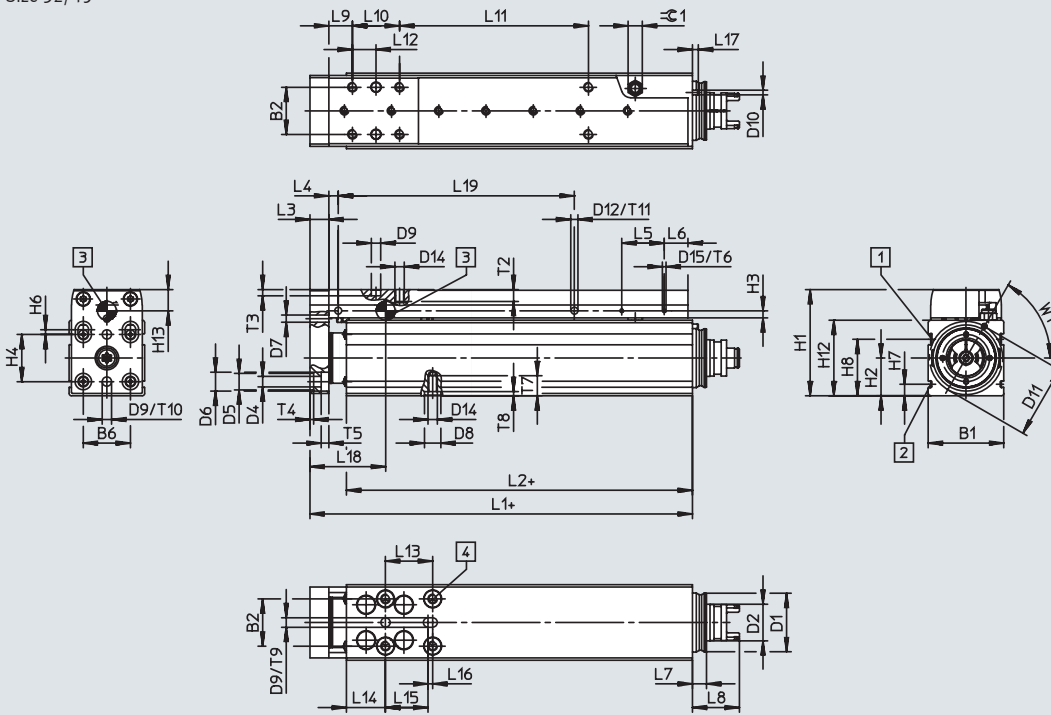
Size	L1	L2	H1	H2	B1	B2
32	168.5	65	81.1	69.9	42.3	32
45	180.3	65	82.6	71.4	42.3	45
60	218.9	73.5	97.3	86.1	56.6	60

Data sheet

Dimensions – Mechanical system

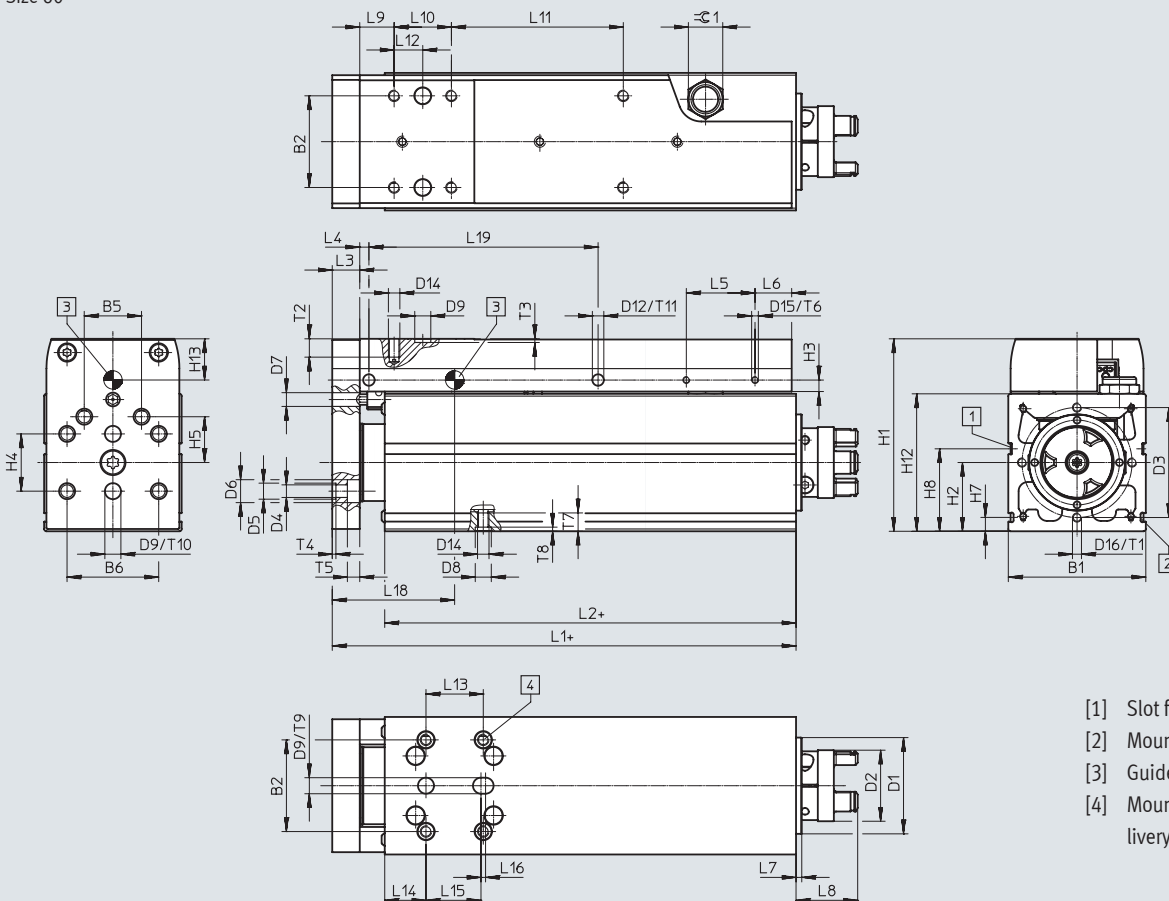
Download CAD data → www.festo.com

Size 32/45



- [1] Slot for sensor bracket
- [2] Mounting slot
- [3] Guide centre
- [4] Mounting thread sealed on delivery

Size 60



- [1] Slot for sensor bracket
- [2] Mounting slot
- [3] Guide centre
- [4] Mounting thread sealed on delivery

Data sheet

Size	B1 ±0.15	B2	B5	B6	D1 ∅	D2 ∅	D3 ∅	D4 ∅ H13	D5 ∅ H7	D6 ∅ H13	D7 ∅	D8 ∅ H7	D9 ∅ H8	D10 ∅	D11 ∅
32	32	20	–	20	25	16.5	–	4.5	7	8	3	7	4	2	31
45	45	25	–	25	32	16.5	–	5.5	7	10	3	7	5	3	41
60	60	40	25	40	42	31	48	5.5	7	10	6	7	7	–	–

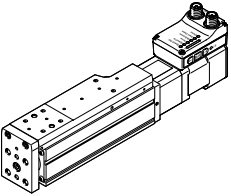
Size	D12 ∅	D13	D14	D15	D16	H1	H2	H3	H4	H5	H6	H7	H8	H12 ±0.15	H13
32	3	–	M4	M1.6	–	45	16	3	20	–	2	4.9	24	32	8.4
45	3	–	M5	M2	–	60.5	22.5	3	25	–	–	6.1	28.5	45	10.7
60	5	M4	M5	M3	M4	84	30	5	25	20	–	6.1	36	60	16.4

Size	L1	L2	L3 +0.2	L4	L5 ±0.1	L6	L7	L8	L9	L10	L12	L13	L14	L15	L16
32	62	46.5	8	4	18	10	6	19.9	10	20	10	20	16.5	18	2
45	73.8	54.5	10	4	24	12	6	19.9	15	25	12.5	25	17.5	24	2
60	102.4	79.5	12	4	30	16	2.5	26.9	15	25	12.5	25	30	24	2

Size	L17	L18	T1	T2	T3 +0.1	T4 +0.1	T5	T6	T7	T8 +0.1	T9 +0.1	T10 +0.1	T11 –0.2	W1	≈ 1
32	2.5	31.8	–	5	2.6	1.6	3.2	1.5	8.5	1.8	2.6	2.6	1.5	60°	6
45	2	37.3	–	6	1.3	1.6	5.4	4	7	1.8	1.3	1.3	5	60°	12
60	–	53.4	10	8	1.6	1.6	5.4	6	8	1.8	1.6	1.6	5	–	15

Size	Stroke [mm]	L19	L11
32	25	25	0
	50	50	30
	75	75	55
	100	100	80
45	25	25	0
	50	50	25
	75	75	50
	100	100	75
	125	125	100
60	150	150	125
	50	50	25
	75	75	50
	100	100	75
	125	125	100
	150	150	125
	200	200	175

Ordering data

Ordering data	Size	Spindle pitch	Stroke	Part no.	Type
	32	8	25	8083801	EGSS-BS-KF-32-25-8P-ST-M-H1-PLK-AA
			50	8083802	EGSS-BS-KF-32-50-8P-ST-M-H1-PLK-AA
			75	8083803	EGSS-BS-KF-32-75-8P-ST-M-H1-PLK-AA
			100	8083804	EGSS-BS-KF-32-100-8P-ST-M-H1-PLK-AA
	45	10	25	8083814	EGSS-BS-KF-45-25-10P-ST-M-H1-PLK-AA
			50	8083815	EGSS-BS-KF-45-50-10P-ST-M-H1-PLK-AA
			75	8083816	EGSS-BS-KF-45-75-10P-ST-M-H1-PLK-AA
			100	8083817	EGSS-BS-KF-45-100-10P-ST-M-H1-PLK-AA
			125	8083818	EGSS-BS-KF-45-125-10P-ST-M-H1-PLK-AA
			150	8083819	EGSS-BS-KF-45-150-10P-ST-M-H1-PLK-AA
	60	12	50	8083716	EGSS-BS-KF-60-50-12P-ST-M-H1-PLK-AA
			75	8083717	EGSS-BS-KF-60-75-12P-ST-M-H1-PLK-AA
			100	8083718	EGSS-BS-KF-60-100-12P-ST-M-H1-PLK-AA
			125	8083719	EGSS-BS-KF-60-125-12P-ST-M-H1-PLK-AA
			150	8083720	EGSS-BS-KF-60-150-12P-ST-M-H1-PLK-AA
			200	8083721	EGSS-BS-KF-60-200-12P-ST-M-H1-PLK-AA

Ordering data – Modular product system

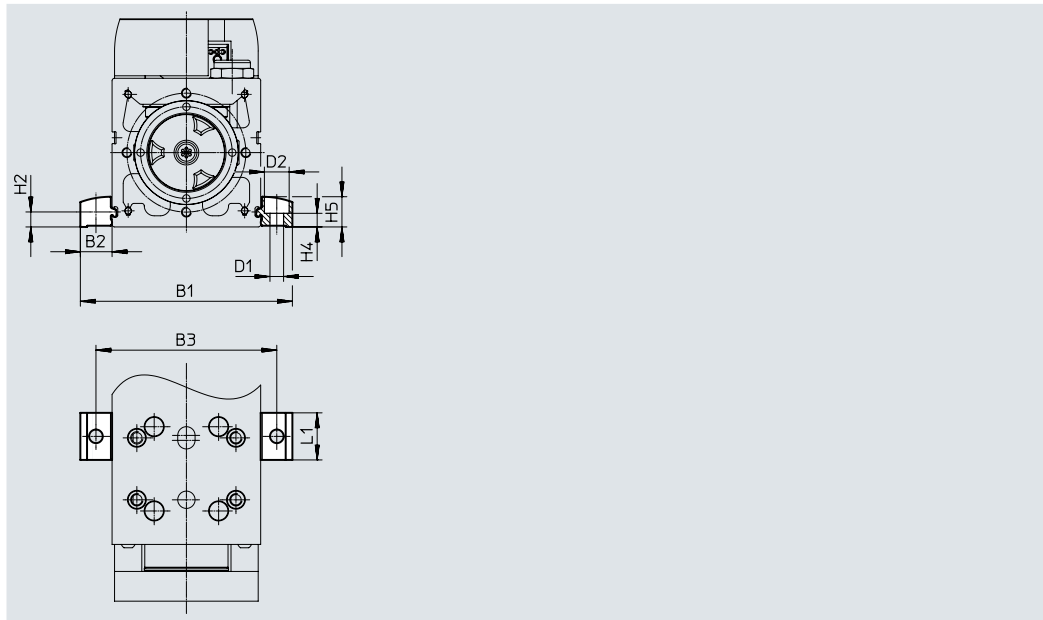
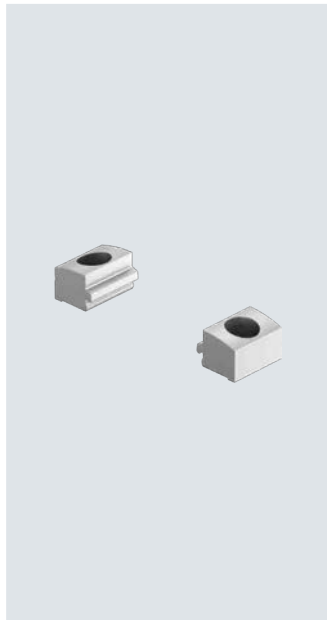
Ordering table						
Size	32	45	60	Conditions	Code	Enter code
Module no.	8083800	8083813	8083713			
Series	EGSS				EGSS	EGSS
Drive system	Ball screw drive				-BS	-BS
Guide	Recirculating ball bearing guide				-KF	-KF
Size	32	45	60		-...	
Stroke [mm]	25, 50, 75, 100	25, 50, 75, 100, 125, 150	50, 75, 100, 125, 150, 200		-...	
Spindle pitch [mm]	8P	10P	12P		-...	
Motor type	Stepper motor ST				-ST	-ST
Controller	Integrated				-M	-M
Control panel	Integrated				-H1	-H1
Bus protocol/control	NPN and IO-Link				-NLK	
	PNP and IO-Link				-PLK	
End-position sensing	With integrated end-position sensing				-AA	-AA
Cable outlet direction	Standard					
	Left				-L	
	Underneath				-D	
	Right				-R	
Electrical accessories	None					
	Adapter for operation as IO-Link device				+L1	
Operating instructions	With operating instructions					
	Without operating instructions				DN	

Accessories

Profile mounting EAHF-L2-...-P-S

Material:
Anodised wrought aluminium alloy
RoHS-compliant

- For mounting the slide on the side of the profile



Dimensions and ordering data

For size	B1	B2	B3	D1 ∅ H13	D2 ∅ H13	H2
32	51.4	9.7	42	4.5	8	4.9
45	70.6	12.8	58	5.5	10	6.1
60	85.6	12.8	73	5.5	10	6.1

For size	H4 ±0.1	H5	L1	Weight [g]	Part no.	Type
32	4.2	9	19	4	5183153	EAHF-L2-25-P-S
45	5.5	12.2	19	6	5184133	EAHF-L2-45-P-S
60	5.5	12.2	19	6	5184133	EAHF-L2-45-P-S

Accessories

Profile mounting EAHF-L2-...-P

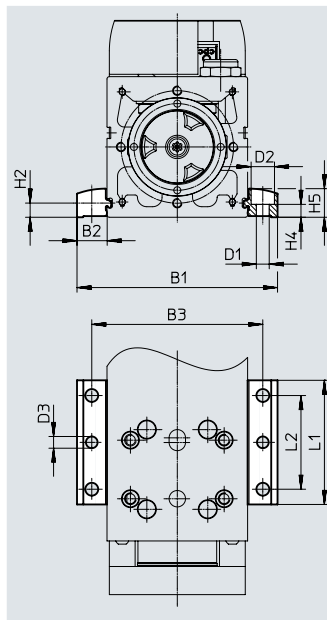
Material:

Anodised wrought aluminium alloy

RoHS-compliant

- For mounting the slide on the side of the profile.

The profile mounting can be attached to the mounting surface using the drill hole in the centre



Dimensions and ordering data

For size	B1	B2	B3	D1 ∅ H13	D2 ∅ H13	D3 ∅	H2
32	51.4	9.7	42	4.5	8	4	4.9
45	70.6	12.8	58	5.5	10	5	6.1
60	85.6	12.8	73	5.5	10	5	6.1

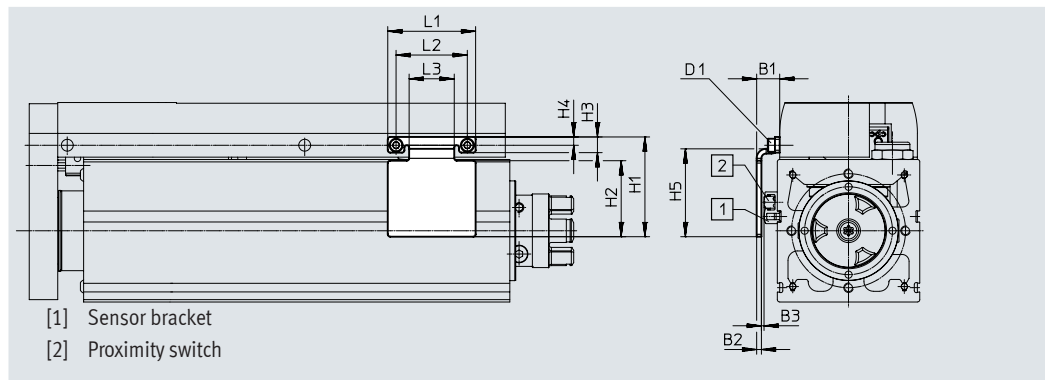
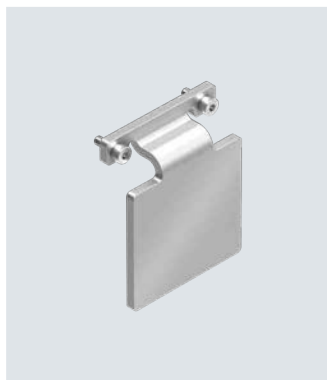
For size	H4 ±0.1	H5	L1	L2	Weight [g]	Part no.	Type
32	4.2	9	53	40	19	4835684	EAHF-L2-25-P
45	5.5	12.2	53	40	35	4835728	EAHF-L2-45-P
60	5.5	12.2	53	40	35	4835728	EAHF-L2-45-P

Accessories

Switch lug EAPM-...-SLS

For sensing using inductive proximity switches SIES-8M

Material:
Galvanised steel
RoHS-compliant

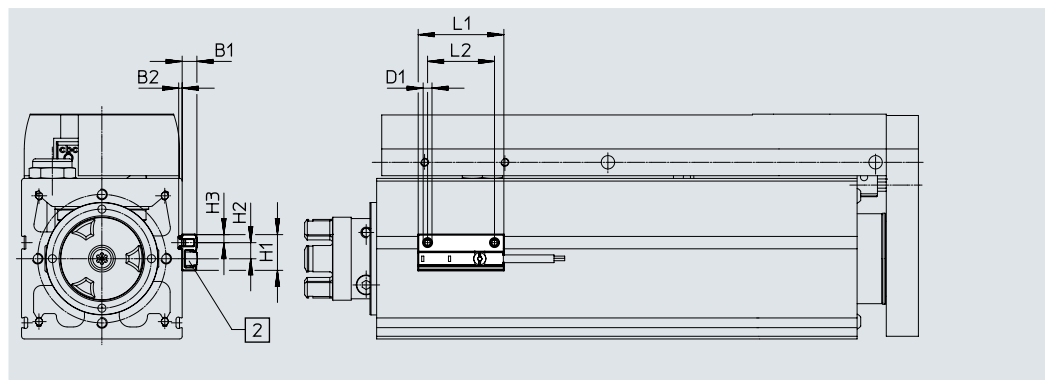


Dimensions and ordering data									
For size	B1	B2	B3	D1	H1	H2	H3	H4	
32	9.2	2	1.0±0.26	M1.6	27	19	4.3	2.5	
45	9.4	2	0.7±0.26	M2	37	28	5.5	3.3	
60	9.7	2	0.7±0.31	M3	42	32	6.6	3.5	

For size	H5	L1	L2	L3	Weight [g]	Part no.	Type
32	24	22	18	10	10	8067259	EAPM-L2-32-SLS
45	33	30	24	14	18	8067260	EAPM-L2-45-SLS
60	37	37	30	19	27	8067261	EAPM-L2-60-SLS

Sensor bracket EAPM-L2

Material:
Anodised wrought aluminium alloy
RoHS-compliant

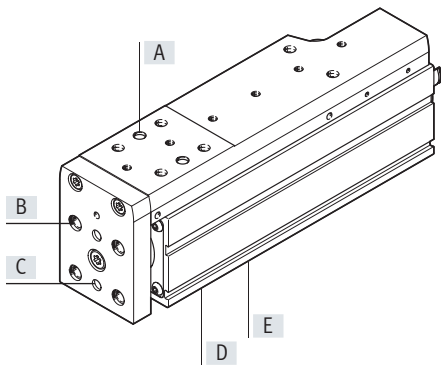


Dimensions and ordering data						
For size	B1	B2	D1	H1	H2	
32, 45, 60	5.5	1.3	M4	13.4	6	

For size	H3	L1	L2	Weight [g]	Part no.	Type
32, 45, 60	3	32	25	4	4759852	EAPM-L2-SH

Accessories

Ordering data – Centring sleeves



For size	Position	Part no.	Type	PE ¹⁾
32	A	562959	ZBS-4	10
	B	186717	ZBH-7	
	C	562959	ZBS-4	
	D	186717	ZBH-7	
	E	562959	ZBS-4	
45	A	189652	ZBH-5	
	B	186717	ZBH-7	
	C	189652	ZBH-5	
	D	186717	ZBH-7	
	E	189652	ZBH-5	
60	A	186717	ZBH-7	
	B	186717	ZBH-7	
	C	186717	ZBH-7	
	D	186717	ZBH-7	
	E	186717	ZBH-7	

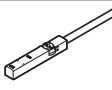
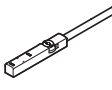
1) Packaging unit

Ordering data – Push-in fitting for sealing air connection

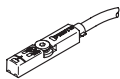
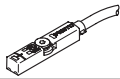
For size	Part no.	Type
32	133003	QSM-M5-3-I-R
	133004	QSM-M5-4-I-R
45	186266	QSM-G1/8-4-I
	186267	QSM-G1/8-6-I
60	186108	QS-G1/4-6-I
	186110	QS-G1/4-8-I



Ordering data – Proximity switches for T-slot, inductive

Data sheets → Internet: sies


Type of mounting	Switching output	Electrical connection	Cable length [m]	Part no.	Type
N/O contact					
 Insertable in the slot from above, flush with the cylinder profile	PNP	Cable, 3-wire	7.5	551386	SIES-8M-PS-24V-K-7,5-OE
		Plug M8x1, 3-pin	0.3	551387	SIES-8M-PS-24V-K-0,3-M8D
	NPN	Cable, 3-wire	7.5	551396	SIES-8M-NS-24V-K-7,5-OE
		Plug M8x1, 3-pin	0.3	551397	SIES-8M-NS-24V-K-0,3-M8D
N/C contact					
 Insertable in the slot from above, flush with the cylinder profile	PNP	Cable, 3-wire	7.5	551391	SIES-8M-PO-24V-K-7,5-OE
		Plug M8x1, 3-pin	0.3	551392	SIES-8M-PO-24V-K-0,3-M8D
	NPN	Cable, 3-wire	7.5	551401	SIES-8M-NO-24V-K-7,5-OE
		Plug M8x1, 3-pin	0.3	551402	SIES-8M-NO-24V-K-0,3-M8D

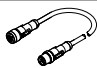
Accessories

Ordering data – Proximity switch for T-slot, magneto-resistive							Data sheets → Internet: smt
	Type of mounting	Switching output	Electrical connection	Cable length [m]	Part no.	Type	
N/O contact							
	Inserted in the slot from above, flush with the cylinder profile, short design	PNP	Cable, 3-wire	2.5	574335	SMT-8M-A-PS-24V-E-2,5-OE	
			Plug M8x1, 3-pin	0.3	574334	SMT-8M-A-PS-24V-E-0,3-M8D	
N/C contact							
	Inserted in the slot from above, flush with the cylinder profile, short design	PNP	Cable, 3-wire	7.5	574340	SMT-8M-A-PO-24V-E-7,5-OE	


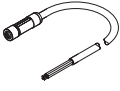
Ordering data – Connecting cables						Data sheets → Internet: nebu
	Electrical connection, left	Electrical connection, right	Cable length [m]	Part no.	Type	
	Straight socket, M8x1, 3-pin	Cable, open end, 3-wire	2.5	541333	NEBU-M8G3-K-2.5-LE3	
			5	541334	NEBU-M8G3-K-5-LE3	
	Angled socket, M8x1, 3-pin	Cable, open end, 3-wire	2.5	541338	NEBU-M8W3-K-2.5-LE3	
			5	541341	NEBU-M8W3-K-5-LE3	




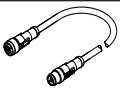
Note
 For sizes 45 and 60, inductive proximity switches SIES-8M must be used for strokes greater than 100 mm.
 Proximity switches are optional and only required in order to sense any intermediate positions.


Ordering data – IO-Link master USB					Data sheets → Internet: cdsu
	Description	Cable length [m]	Part no.	Type	
	<ul style="list-style-type: none"> For using the unit with IO-Link An external power supply plug is additionally required (not in scope of delivery) 	0.3	8091509	CDSU-1	

Ordering data – Adapter						Data sheets → Internet: nefc
	Electrical connection, left	Electrical connection, right	Cable length [m]	Part no.	Type	
	Straight socket, M12x1, 8-pin	Straight plug, M12x1, 5-pin	0.3	8080777	NEFC-M12G8-0.3-M12G5-LK	

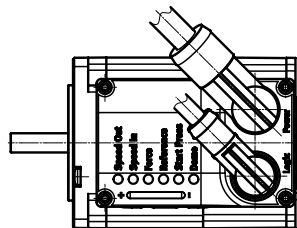
Accessories

Ordering data – Supply cables					Data sheets → Internet: nebl
	Electrical connection, left	Electrical connection, right	Cable length [m]	Part no.	Type
	Angled socket, M12x1, 4-pin	Cable, open end, 4-wire	2	8080778	NEBL-T12W4-E-2-N-LE4
			5	8080779	NEBL-T12W4-E-5-N-LE4
			10	8080780	NEBL-T12W4-E-10-N-LE4
			15	8080781	NEBL-T12W4-E-15-N-LE4
	Straight socket, M12x1, 4-pin	Cable, open end, 4-wire	2	8080790	NEBL-T12G4-E-2-N-LE4
			5	8080791	NEBL-T12G4-E-5-N-LE4
			10	8080792	NEBL-T12G4-E-10-N-LE4
			15	8080793	NEBL-T12G4-E-15-N-LE4

Ordering data – Connecting cables					Data sheets → Internet: nebc
	Electrical connection, left	Electrical connection, right	Cable length [m]	Part no.	Type
	Angled socket, M12x1, 8-pin	Cable, open end, 8-wire	2	8094476	NEBC-M12W8-E-2-N-B-LE8
			5	8094478	NEBC-M12W8-E-5-N-B-LE8
			10	8094481	NEBC-M12W8-E-10-N-B-LE8
			15	8094479	NEBC-M12W8-E-15-N-B-LE8
	Straight plug, M12x1, 8-pin	Cable, open end, 8-wire	2	8080786	NEBC-M12W8-E-2-N-M12G8
			5	8080787	NEBC-M12W8-E-5-N-M12G8
			10	8080788	NEBC-M12W8-E-10-N-M12G8
			15	8080789	NEBC-M12W8-E-15-N-M12G8
	Straight socket, M12x1, 8-pin	Cable, open end, 8-wire	2	8094480	NEBC-M12G8-E-2-N-B-LE8
			5	8094477	NEBC-M12G8-E-5-N-B-LE8
			10	8094482	NEBC-M12G8-E-10-N-B-LE8
			15	8094475	NEBC-M12G8-E-15-N-B-LE8
	Straight plug, M12x1, 8-pin	Cable, open end, 8-wire	2	8080782	NEBC-M12G8-E-2-N-M12G8
			5	8080783	NEBC-M12G8-E-5-N-M12G8
			10	8080784	NEBC-M12G8-E-10-N-M12G8
			15	8080785	NEBC-M12G8-E-15-N-M12G8

 **Note**

The cables are positioned at a 45° angle to the axis.



Festo - Your Partner in Automation



1 Festo Inc.
5300 Explorer Drive
Mississauga, ON L4W 5G4
Canada

Festo Customer Interaction Center
Tel: 1 877 463 3786
Fax: 1 877 393 3786
Email: customer.service.ca@festo.com

2 Festo Pneumatic
Av. Ceylán 3,
Col. Tequesquináhuac
54020 Tlalneantla,
Estado de México

Multinational Contact Center
01 800 337 8669
ventas.mexico@festo.com

3 Festo Corporation
1377 Motor Parkway
Suite 310
Islandia, NY 11749

Festo Customer Interaction Center
1 800 993 3786
1 800 963 3786
customer.service.us@festo.com

4 Regional Service Center
7777 Columbia Road
Mason, OH 45040

Connect with us



www.festo.com/socialmedia



www.festo.com

Subject to change