



**On-Off Valves, Manually Operated, Type HE
– Basic Version**

Metric

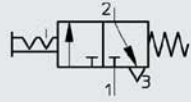
Inch

On-Off Valves, Manually Operated, Type HE - Basic Version

3/2-Way Valve, 1/8" – 1" NPT, G3/8 G1 ISO

On-Off Valve, Manually Operated

Type HE-...-D-...(-NPT)



This valve is used to pressurize and exhaust pneumatic installations.

The valve can be locked into the "exhausted" position (port 1 closed) by means of an ordinary padlock.

The Type HE-D... valve is provided with 2 threaded pins so that it can be mounted in combination with service units from Festo's "D-Series".

Accessories:

Mounting Bracket, Type HFOE-D-...

Silencer, Type U-...

Type HE-...-D-...(-NPT)
with threaded connector plates



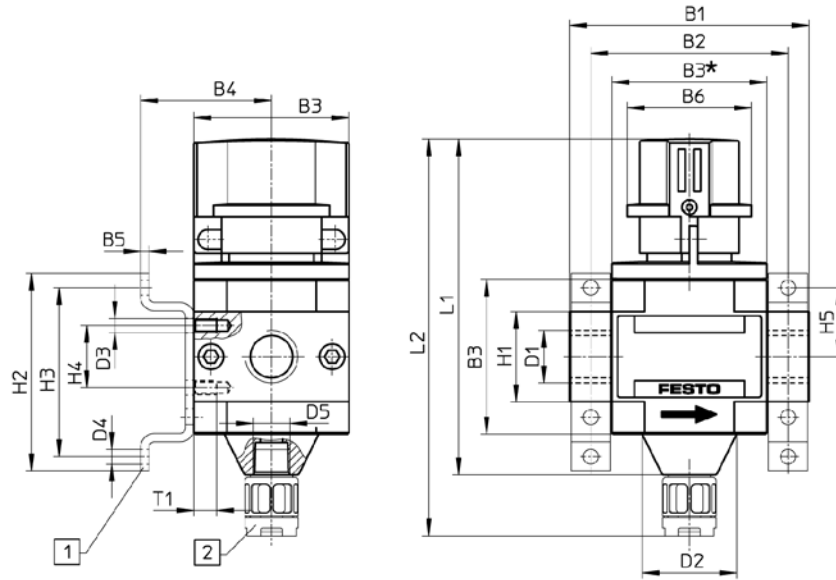
Order Number On-Off Valve (manual)	Part No./Type	MINI Size			MIDI Size			MAXI Size		
		with threaded connector plates	NPT	173892 HE-1/8-D-MINI-NPT	173893 HE-1/4-D-MINI-NPT	173894 HE-3/8-D-MINI-NPT	173895 HE-3/8-D-MIDI-NPT	173896 HE-1/2-D-MIDI-NPT	173897 HE-3/4-D-MIDI-NPT	173898 HE-3/4-D-MAXI-NPT
with threaded connector plate	ISO	162806 HE-1/8-D-MINI	162807 HE-1/4-D-MINI	162808 HE-3/8-D-MINI	162809 HE-3/8-D-MIDI	162810 HE-1/2-D-MIDI	162811 HE-3/4-D-MIDI	162812 HE-3/4-D-MAXI	162813 HE-1-D-MAXI	
Mounting Bracket		159638 HFOE-D-MINI			159593 HFOE-D-MIDI/MAXI					
Connection		1/8 NPT / G 1/8 ISO	1/4 NPT / G 1/4 ISO	3/8 NPT / G 3/8 ISO	3/8 NPT / G 3/8 ISO	1/2 NPT / G 1/2 ISO	3/4 NPT / G 3/4 ISO	3/4 NPT / G 3/4 ISO	1 NPT / G 1 ISO	
Standard Nominal Flow Rate*	scfm / l/min	35.31 / 1000	52.97 / 1500	56.50 / 1600	113.0 / 3200	127.1 / 3600	134.2 / 3800	211.9 / 6000	229.5 / 6500	
Medium		Compressed air, filtered (lubricated or unlubricated)								
Design		Spool valve								
Mounting		Single unit: in-line mounting with mounting bracket Combination: Flange mounting to "D-Series" units								
Mounting Position		Vertical, ± 5°								
Pressure Range		0 to 240 psi / 0 to 16 bar								
Temperature Range		14 to 140°F / -10 to +60°C								
Materials		Rotary knob: PA; stem: POM; spool: stainless steel; seals: NBR; housing/base: die cast aluminum								
Weight (without connector plates)		0.42 lb / 0.192 kg			1.13 lb / 0.511 kg			1.75 lb / 0.796 kg		

Delivery: Short lead time

* With 90 psi / 6 bar at inlet and $\Delta p = 15 \text{ psi} / 1 \text{ bar}$.

Dimensions

Type HE-...-D-...(-NPT)



- 1 Mounting brackets Type HFOE-D-... (order separately)
- 2 Silencer (MINI: U-1/8; MIDI: U-1/4; MAXI: U-3/8; order separately)

*Width of valve without threaded connector plates

Type	B1	B2	B3	B4	B5	B6	D1 thread Inch / Metric	D2	D3	D4
	in / mm	in / mm	in / mm	in / mm	in / mm	in / mm				
HE-1/8-D-MINI	2.52 / 64	2.05 / 52	1.57 / 40	1.55 / 39.4	0.08 / 2	1.26 / 32	1/8 NPT / G 1/8 ISO	0.93 / 23.7	M4	0.17 / 4.3
HE-1/4-D-MINI	2.52 / 64						1/4 NPT / G 1/4 ISO			
HE-3/8-D-MINI	2.76 / 70						3/8 NPT / G 3/8 ISO			
HE-1/8-D-MIDI	3.35 / 85	2.76 / 70	2.17 / 55	1.83 / 46.5	0.12 / 3	1.73 / 44	3/8 NPT / G 3/8 ISO	1.32 / 33.5	M5	0.21 / 5.3
HE-1/4-D-MIDI							1/2 NPT / G 1/2 ISO			
HE-3/4-D-MIDI							3/4 NPT / G 3/4 ISO			
HE-3/4-D-MAXI	3.70 / 94	3.15 / 80	2.60 / 66	20.9 / 53.1	0.12 / 3	1.73 / 44	3/4 NPT / G 3/4 ISO	1.37 / 34.8	M5	0.21 / 5.3
HE-1-D-MAXI	4.57 / 116	3.58 / 91					1 NPT / G 1 ISO			
Type	D5	H1	H2	H3	H4	H5	L1	L2	T1	
	thread	in / mm	in / mm	in / mm	in / mm	in / mm	in / mm	in / mm	in / mm	in / mm
HE-1/8-D-MINI	G 1/8	0.79 / 20	1.69 / 43	1.38 / 35	0.43 / 11	0.69 / 17.5	3.86 / 98.1	5.04 / 128.1	0.28 / 7	
HE-1/4-D-MINI										
HE-3/8-D-MINI										
HE-1/8-D-MIDI	G 1/4	1.26 / 32	2.76 / 70	2.36 / 60	0.86 / 22	0.96 / 24.5	4.770 / 119.3	6.66 / 169.1	0.32 / 8	
HE-1/4-D-MIDI										
HE-3/4-D-MIDI										
HE-3/4-D-MAXI	G 3/8	1.26 / 32	2.76 / 70	2.36 / 60	0.86 / 22	0.96 / 24.5	5.21 / 132.3	7.97 / 203.1	0.32 / 8	
HE-1-D-MAXI		1.57 / 40								

Metric

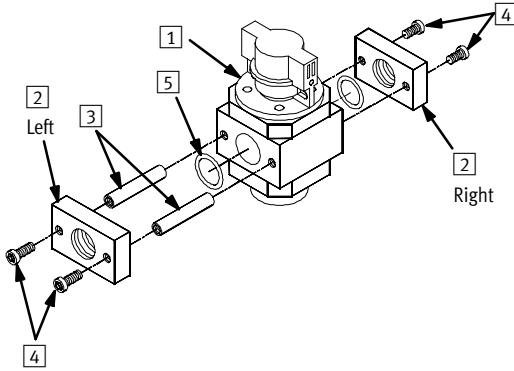
Inch

Ship-From-Stock Component Program

D-Series Service Units Port Sizes 1/8" to 1"

Ordering via the Ship-From-Stock Component Program allows for off-the-shelf availability of the components required to assemble a complete air preparation unit.

A complete valve assembly consists of the following items:



Item	Description	Qty Required per Assy
1	Main Unit	1
2	Port Block	2 [one left, one right]
3	Single Unit Joining Rod	2
4	Port Block Screw	4
5	Port Block Seal	2
6	Mounting Bracket Kit [Not shown]	1

Step 1: Based upon the required Port Size, Maximum Flow, Filtration Level, Drain Type, and Thread Type, select the Main Unit [Item 1] and the Left and Right Port Block [Item 2]. Note the Product Type/Description for the next step.

Port size	Max. Flow (l/min/sfcm)	Item		Product Type/ Description			
		1	2	NPT Thread		BSP Thread	
		Main Unit		Left Connection Port Block	Right Connection Port Block	Left Connection Port Block	Right Connection Port Block
1/8	1000/35.3	170 681	372 030	372 038	380 285	380 287	HE-...-D-MINI-...
	1500/52.9		372 031	372 039	380 289	380 291	
1/4	2600/91.8	170 682	-	-	380 902	380 903	HE-...-D-MIDI-...
	3/8	1600/56.5	170 681	372 032	372 040	380 293	380 295
3200/113.0		170 682	372 035	372 043	380 297	380 299	HE-...-D-MIDI-...
1/2	3600/127.1	170 683	372 033	372 041	380 301	380 303	HE-...-D-MIDI-...
	5600/197.8		-	-	381 529	381 530	HE-...-D-MAXI-...
3/4	3800/134.2	170 682	372 034	372 042	380 305	380 307	HE-...-D-MIDI-...
	6000/211.9	170 683	372 036	372 044	380 309	380 311	HE-...-D-MAXI-...
1	6500/229.5		372 037	372 045	380 313	380 315	

☐ Not available

Next...Step 2

Inch

Metric

Manual Shut-Off Valve Selector Guide

D-Series Service Units Port Sizes 1/8" to 1"

Step 2: Based upon the Product Type/Description from Step 1, select the Joining Rods [Item **3**], the Port Block Screws [Item **4**], the Port Block Seals [Item **5**], and the Mounting Bracket Kit [Item **6**].

	Item 3	Item 4	Item 5	Item 6 [Not shown]
Product Type/Description	Single Unit Joining Rod	Port Block Screw	Port Block Seal	Mounting Bracket Kit
HE-...-D-MINI-...	359 787	200 664	235 260	159 638
HE-...-D-MIDI-...	369 989	202 824	200 950	159 593
HE-...-D-MAXI-...	373 059		234 380	159 593

Step3: Determine the appropriate quantity of each Item.

Ordering Example:

Required: 3/8 port size, 3000 l/min flow, BSP threads.

	Item	Part No.	Qty	Description
Order:	1	170 682	1	Main Unit
	2	380 297	1	Left Port Block
		380 299	1	Right Port Block
	3	369 989	2	Single Unit Joining Rod
	4	202 824	4	Port Block Screws
	5	200 950	3	Port Block Seals
	6	159 593	1	Mounting Bracket Kit

Product Range and Company Overview

A Complete Suite of Automation Services

Our experienced engineers provide complete support at every stage of your development process, including: conceptualization, analysis, engineering, design, assembly, documentation, validation, and production.



Custom Automation Components
Complete custom engineered solutions



Custom Control Cabinets
Comprehensive engineering support and on-site services



Complete Systems
Shipment, stocking and storage services

The Broadest Range of Automation Components

With a comprehensive line of more than 30,000 automation components, Festo is capable of solving the most complex automation requirements.



Electromechanical
Electromechanical actuators, motors, controllers & drives



Pneumatics
Pneumatic linear and rotary actuators, valves, and air supply



PLCs and I/O Devices
PLC's, operator interfaces, sensors and I/O devices

Supporting Advanced Automation... As No One Else Can!

Festo is a leading global manufacturer of pneumatic and electromechanical systems, components and controls for industrial automation, with more than 12,000 employees in 56 national headquarters serving more than 180 countries. For more than 80 years, Festo has continuously elevated the state of manufacturing with innovations and optimized motion control solutions that deliver higher performing, more profitable automated manufacturing and processing equipment. Our dedication to the advancement of automation extends beyond technology to the education and development of current and future automation and robotics designers with simulation tools, teaching programs, and on-site services.

Quality Assurance, ISO 9001 and ISO 14001 Certifications

Festo Corporation is committed to supply all Festo products and services that will meet or exceed our customers' requirements in product quality, delivery, customer service and satisfaction.

To meet this commitment, we strive to ensure a consistent, integrated, and systematic approach to management that will meet or exceed the requirements of the ISO 9001 standard for Quality Management and the ISO 14001 standard for Environmental Management.



© Copyright 2008, Festo Corporation. While every effort is made to ensure that all dimensions and specifications are correct, Festo cannot guarantee that publications are completely free of any error, in particular typing or printing errors. Accordingly, Festo cannot be held responsible for the same. For Liability and Warranty conditions, refer to our "Terms and Conditions of Sale", available from your local Festo office. All rights reserved. No part of this publication may be reproduced, distributed, or transmitted in any form or by any means, electronic, mechanical, photocopying or otherwise, without the prior written permission of Festo. All technical data subject to change according to technical update.



Printed on recycled paper at New Horizon Graphic, Inc., FSC certified as an environmentally friendly printing plant.

Festo North America

United States

Customer Resource Center
502 Earth City Expy., Suite 125
Earth City, MO 63045

For ordering assistance, or to find
your nearest Festo Distributor,

Call: 1.800.99.FESTO
Fax: 1.800.96.FESTO
Email: customer.service@us.festo.com

For technical support,

Call: 1.866.GO.FESTO
Fax: 1.800.96.FESTO
Email: product.support@us.festo.com

Headquarters

Festo Corporation
395 Moreland Road
P.O. Box 18023
Hauppauge, NY 11788
www.festo.com/us

Sales Offices

Appleton

N. 922 Tower View Drive, Suite N
Greenville, WI 54942

Boston

120 Presidential Way, Suite 330
Woburn, MA 01801

Chicago

1441 East Business Center Drive
Mt. Prospect, IL 60056

Dallas

1825 Lakeway Drive, Suite 600
Lewisville, TX 75057

Detroit - Automotive Engineering Center
2601 Cambridge Court, Suite 320
Auburn Hills, MI 48326

New York

395 Moreland Road
Hauppauge, NY 11788

Silicon Valley

4935 Southfront Road, Suite F
Livermore, CA 94550

Design and Manufacturing Operations



East: 395 Moreland Road, Hauppauge, NY 11788



Central: 1441 East Business Center Drive, Mt. Prospect, IL 60056



West: 4935 Southfront Road, Suite F, Livermore, CA 94550

Mexico

Headquarters

Festo Pneumatic, S.A.
Av. Ceylán 3, Col. Tequesquahuac
54020 Tlalnepantla, Edo. de México
Call: 011 52 [55] 53 21 66 00
Fax: 011 52 [55] 53 21 66 65
Email: festo.mexico@mx.festo.com
www.festo.com/mx



Canada

Headquarters

Festo Inc.
5300 Explorer Drive
Mississauga, Ontario L4W 5G4
Call: 1.905.624.9000
Fax: 1.905.624.9001
Email: info.ca@ca.festo.com
www.festo.com/ca



Festo Worldwide

Argentina Australia Austria Belarus Belgium Brazil Bulgaria Canada Chile China Colombia Croatia Czech Republic Denmark
Estonia Finland France Germany Great Britain Greece Hong Kong Hungary India Indonesia Iran Ireland Israel Italy Japan
Latvia Lithuania Malaysia Mexico Netherlands New Zealand Norway Peru Philippines Poland Romania Russia Serbia Singapore
Slovakia Slovenia South Africa South Korea Spain Sweden Switzerland Taiwan Thailand Turkey Ukraine United States Venezuela

www.festo.com