



- Electrically or pneumatically actuated valves
- With internal or external pilot air
- Sturdy and reliable

Specified types in accordance with ATEX directive for potentially explosive atmospheres

→ www.festo.com/en/ex

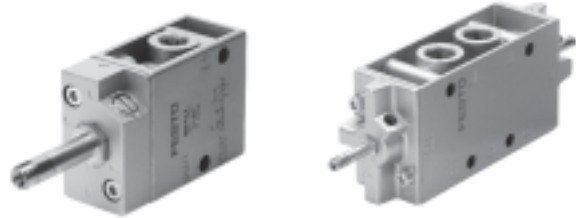
Solenoid/pneumatic valves, Tiger Classic

Key features

FESTO

General information

- Highly durable poppet valve concept for all 3/2 and 5/2-way valves
- Pneumatic or electrical actuation with F solenoid coil
- With flow rates of up to 7,500 l/min
- Pipe thread in sizes G1/8, G1/4, G1/2 and G3/4
- Tried and tested assembly on PAL or PRS manifold strips with hollow bolts
- Optimised response times with patented U-ring and servo control



Solenoid coils

F solenoid coils

Voltage:

- 12 to 230 V DC
- 12 to 240 V AC (50 to 60 Hz)

Power consumption:

- 4.5 W

- Selected types acc. to ATEX directive for explosive atmospheres

- Easily interchangeable solenoid coils
- Solenoid coil not included in scope of delivery

Variants

VL/O-3-...

Depending upon selected connections:
Normally closed or normally open

MFH-3-..., MOFH-3-...

- MFH-3-...
Normally closed
- MOFH-3-...
Normally open

These valves can be converted from one function to the other by rotating the seal under the cover.

MFH-3-...-S

This valve type can be used within a range of 0 to 8 bar and also as MOFH (through flow when not actuated) with a separate pilot line.

MFH-5-...-S

The external pilot air connection means that these valves can also be used with low operating pressures.

Solenoid/pneumatic valves, Tiger Classic

Key features

Manifold mounting

With PAL manifold strip



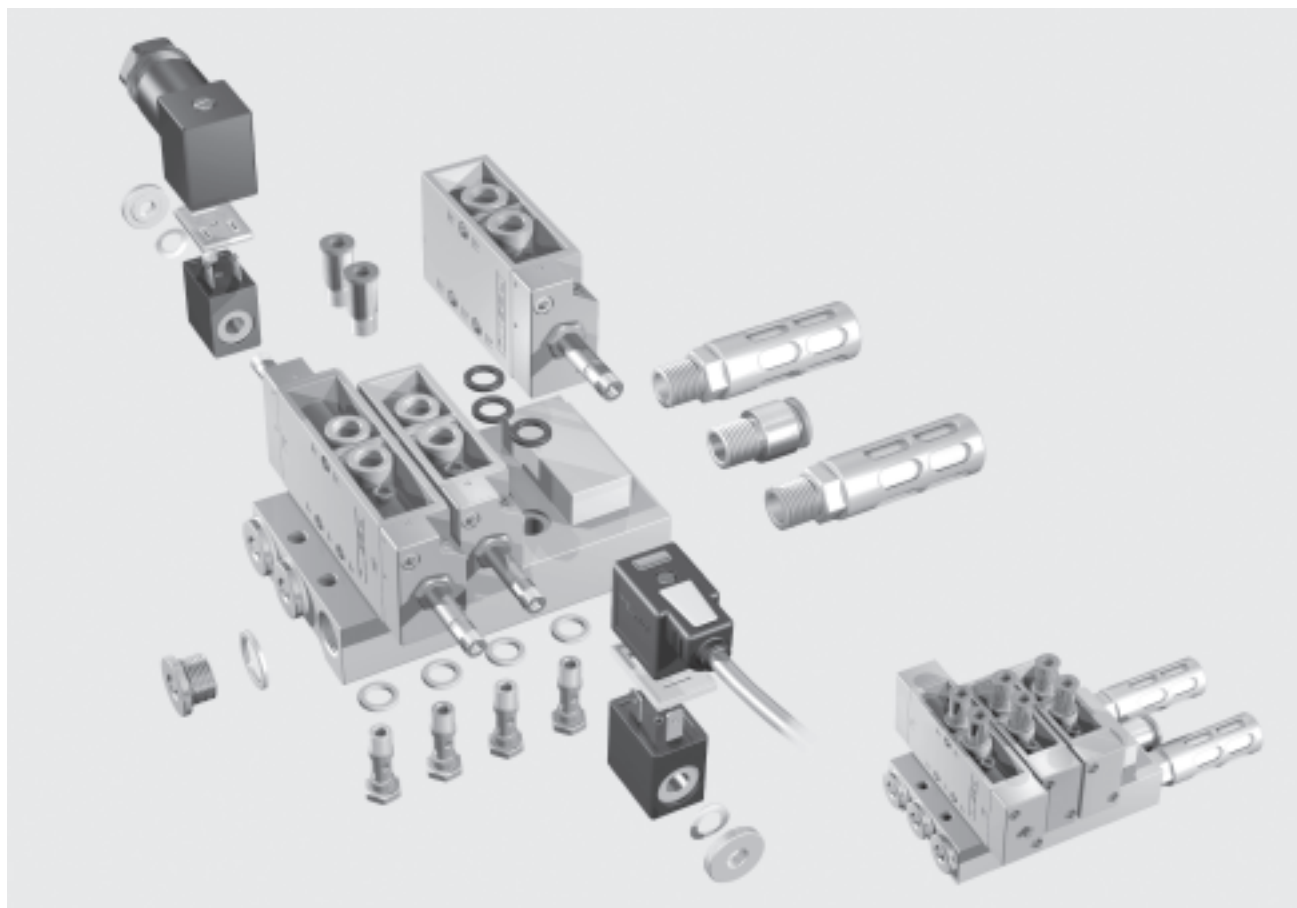
With PRS manifold block



The Tiger Classic valves can be mounted on PAL manifold strips with common supply port or on PRS manifold blocks with common supply port and common exhausts. The valves are mounted on the strips and blocks with hollow bolts. The manifold strip and manifold block have 2 to 6 valve positions.

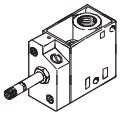
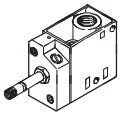
Vacant positions can be sealed on PAL manifold strips with blanking caps, or with blanking plates on PRS manifold blocks.

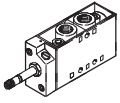
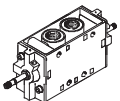
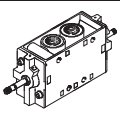
Separate pressure levels can be provided to individual valves by means of hollow bolts with threaded connection.



Solenoid valves, Tiger Classic

Product range overview

Function	Design	Type	Pneumatic connection	Operating voltage	
				[V DC]	[V AC]
3/2-way valves	Solenoid valve				
		MFH	G1/8	12, 24, 42, 48	24, 42, 48, 110, 230, 240
			G1/4		
			G1/2		
			G3/4		
		MOFH	G1/8	12, 24, 42, 48	24, 42, 48, 110, 230, 240
			G1/4		
			G1/2		
G3/4					

Function	Design	Type	Pneumatic connection	Operating voltage	
				[V DC]	[V AC]
5/2-way valves	Solenoid valve				
		MFH	G1/8	12, 24, 42, 48	24, 42, 48, 110, 230, 240
			G1/4		
			G1/2		
	Double solenoid valve				
		JMFH	G1/8	12, 24, 42, 48	24, 42, 48, 110, 230, 240
			G1/4		
			G1/2		
	Double solenoid valve with dominant signal				
		JMPDH	G1/8	12, 24, 42, 48	24, 42, 48, 110, 230, 240
G1/4					

Solenoid valves, Tiger Classic

Product range overview

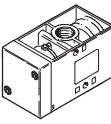
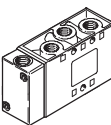
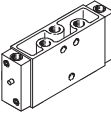
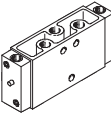
Type	Normal position		Pilot air supply		Type of reset		→ Page/Internet
	Closed	Open	Internal	External	Air spring	Mechanical spring	
Solenoid valve							
MFH	■	-	■	■	-	■	12
	■	-	■	■	-	■	
	■	-	■	■	-	■	
	■	-	■	■	-	■	
MOFH	-	■	■	-	-	■	12
	-	■	■	-	-	■	
	-	■	■	-	-	■	
	-	■	■	-	-	■	

Type	Pilot air supply		Type of reset		→ Page/Internet
	Internal	External	Air spring	Mechanical spring	
Solenoid valve					
MFH	■	■	-	■	17
	■	■	-	■	
	■	■	-	■	
Double solenoid valve					
JMFH	■	■	-	-	22
	■	■	-	-	
	■	■	-	-	
Double solenoid valve with dominant signal					
JMFDH	-	■	-	-	22
	-	■	-	-	

Pneumatic valves, Tiger Classic

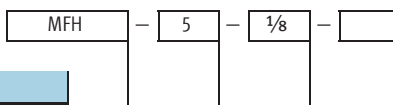
Product range overview



Function	Design	Type	Pneumatic connection	Type of reset		→ Page/Internet	
				Air spring	Mechanical spring		
3/2-way valves		VL/O	G1/8	-	■	29	
			G1/4	-	■		
			G1/2	-	■		
			G3/4	-	■		
5/2-way valves		VL	G1/8	-	■	33	
			G1/4	-	■		
			G1/2	-	■		
	Double pilot valve						
		JH	G1/8	-	-	36	
			G1/4	-	-		
			G1/2	-	-		
	Double pilot valve with dominant signal						
		JDH	G1/8	-	-	36	
			G1/4	-	-		

Solenoid valves, Tiger Classic

Type codes



Type

MFH	Single solenoid, for F solenoid coil, normally closed
MOFH	Single solenoid, for F solenoid coil, normally open
JMFH	Double solenoid, for F solenoid coil
JMFDH	Double solenoid, for F solenoid coil, with dominant signal

Valve function

3	3/2-way valve
5	5/2-way valve

Pneumatic connection

1/8	G1/8
1/4	G1/4
1/2	G1/2
3/4	G3/4

Pilot air supply

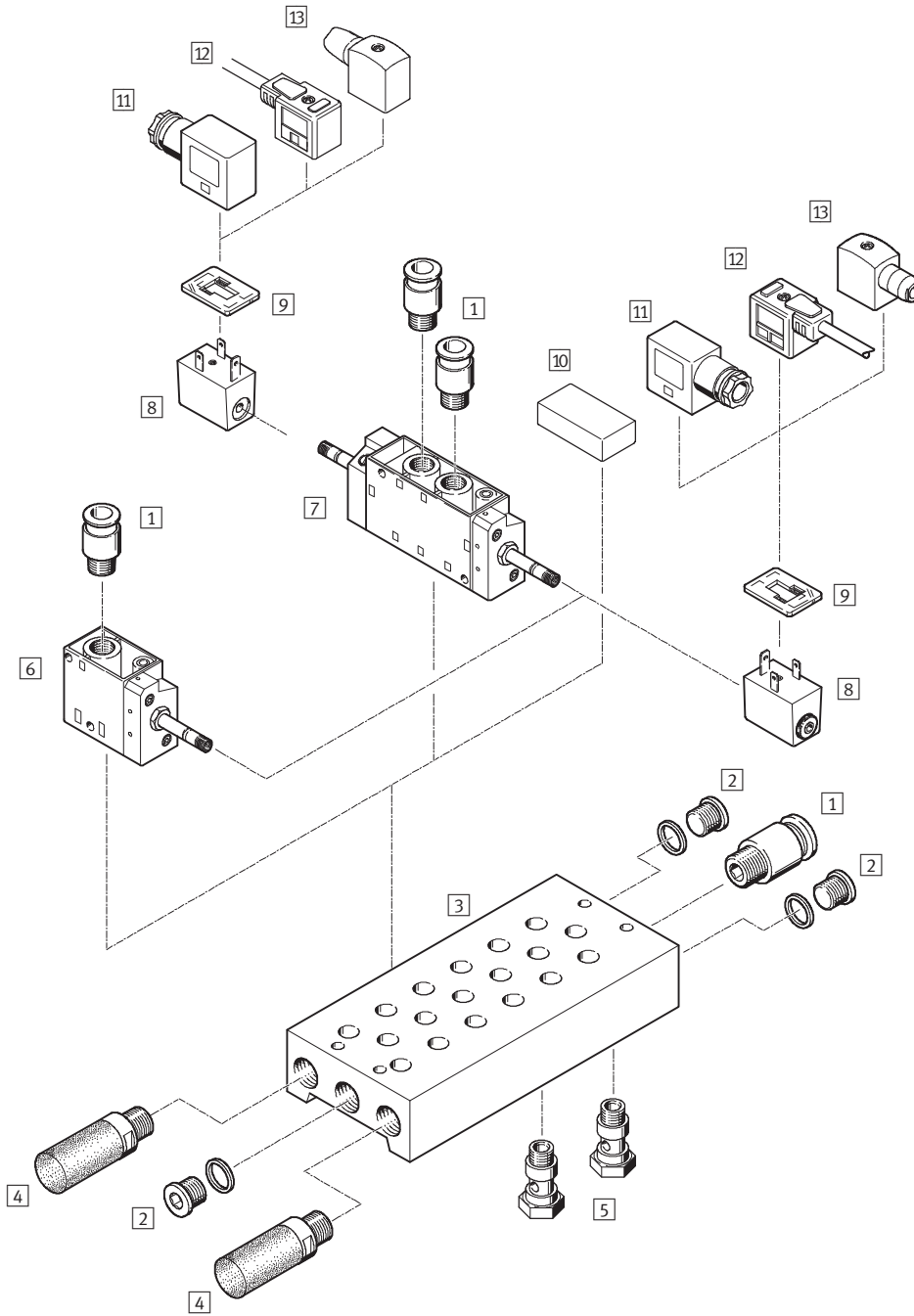
	Internal
S	External

Solenoid valves, Tiger Classic

Peripherals overview

FESTO

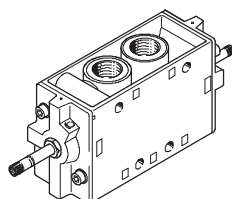
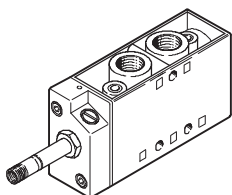
Mounting on manifold block



Variants

MFH-5-...

JMFH-5-...



Solenoid valves, Tiger Classic

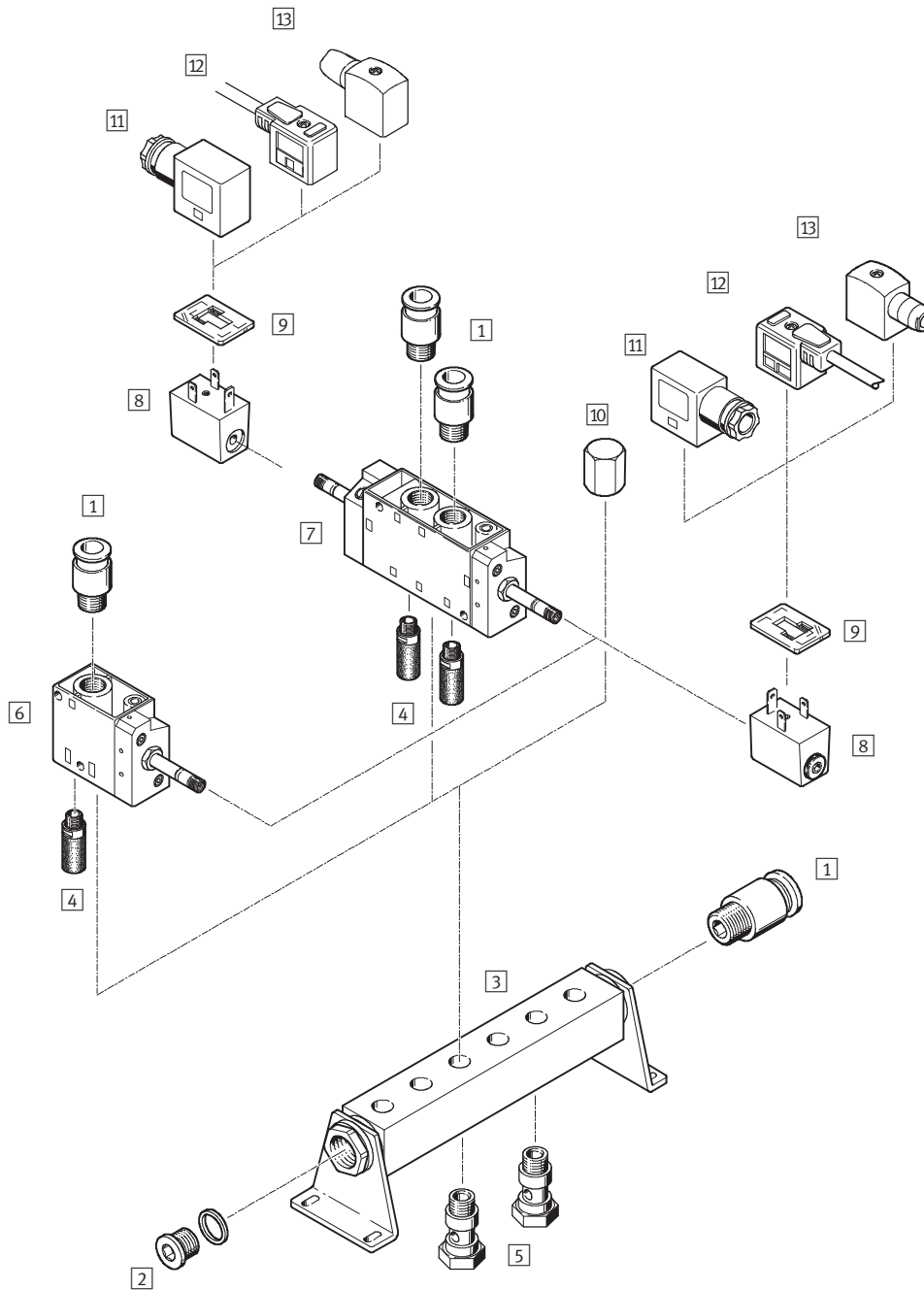
Peripherals overview

Accessories		
	Brief description	→ Page/Internet
1	Push-in fitting QS	quick star
2	Blanking plug G	g
3	Manifold block PRS	42
4	Silencer	For fitting in exhaust ports u
5	Hollow bolt VT	For distribution of compressed air or for separate compressed air supply 41
6	Solenoid valve MFH	For F solenoid coil 4
7	Double solenoid valve JMFH	For F solenoid coil 4
8	F solenoid coil MSFG, MSFW	msfg, msfw
9	Luminescent seal M...-LD	For displaying the switching status 44
10	Blanking plate PRSB	For covering an unused valve position 43
11	Plug socket MSSD-F	For valves MFH, JMFH 44
12	Plug socket with cable KMF	For valves MFH, JMFH 44
13	Plug socket MSSD-F-S	For valves MFH, JMFH 44

Solenoid valves, Tiger Classic

Peripherals overview

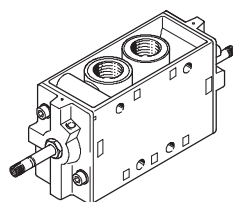
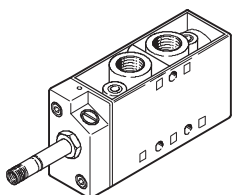
Mounting on manifold strip



Variants

MFH-5-...

JMFH-5-...



Solenoid valves, Tiger Classic


Peripherals overview


Accessories		
	Brief description	→ Page/Internet
1	Push-in fitting QS	quick star
2	Blanking plug G	g
3	Manifold strip PAL	40
4	Silencer	For fitting in exhaust ports u
5	Hollow bolt VT	For distribution of compressed air or for separate compressed air supply 41
6	Solenoid valve MFH	For F solenoid coil 4
7	Double solenoid valve JMFH	For F solenoid coil 4
8	F solenoid coil MSFG, MSFW	msfg, msfw
9	Luminescent seal M...-LD	For displaying the switching status 44
10	Blanking cap VTM	For blanking an unused valve position 41
11	Plug socket MSSD-F	For valves MFH, JMFH 44
12	Plug socket with cable KMF	For valves MFH, JMFH 44
13	Plug socket MSSD-F-S	For valves MFH, JMFH 44

Solenoid valves MFH, Tiger Classic

FESTO

Technical data – 3/2-way valves

-  - Flow rate
500 ... 7,500 l/min

-  - Voltage
12, 24, 42, 48 V DC
24, 42, 48, 110, 230,
240 V AC

Wearing parts kits
→ 16



General technical data					
Pneumatic connection		G1/8	G1/4	G1/2	G3/4
Valve function		3/2-way, single solenoid			
Constructional design		Poppet valve			
Sealing principle		Soft			
Actuation type		Electrical			
Type of reset		Mechanical spring			
Type of control		Piloted			
Pilot air supply		Internal or external			
Direction of flow		Non reversible			
Exhaust function		With flow control			
Manual override		Detenting			
Type of mounting		Via through holes			
Mounting position		Any			
Nominal size	[mm]	5	7	14	19
Standard nominal flow rate	[l/min]	500	800	3,700	7,500
Product weight	[g]	240	320	1,100	1,260

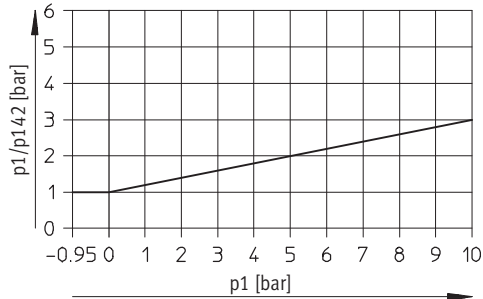
Operating and environmental conditions					
Pneumatic connection		G1/8	G1/4	G1/2	G3/4
Operating medium		Filtered compressed air, lubricated or unlubricated Vacuum			
Operating pressure	Internal pilot air supply [bar]	1.5 ... 8	1.5 ... 8	1.5 ... 8	2 ... 8
	External pilot air supply [bar]	-0.95 ... +10	-0.95 ... +10	-0.95 ... +10	-0.95 ... +10
Pilot pressure	[bar]	1 ... 8	1 ... 8	1 ... 8	1 ... 8
Ambient temperature	[°C]	-5 ... +40			
Temperature of medium	[°C]	-10 ... +60			

Solenoid valves MFH, Tiger Classic

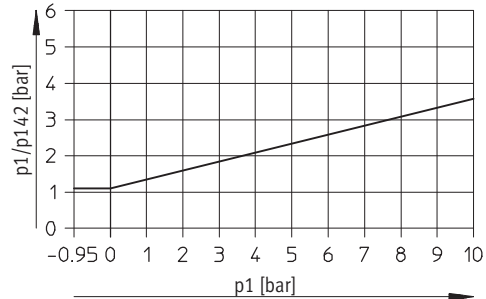
Technical data – 3/2-way valves

Minimal pilot pressure p_{12}/p_{14} as a function of operating pressure p_1 (external pilot air supply)

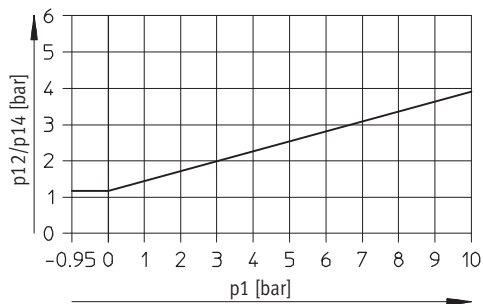
MFH-3-1/8-S



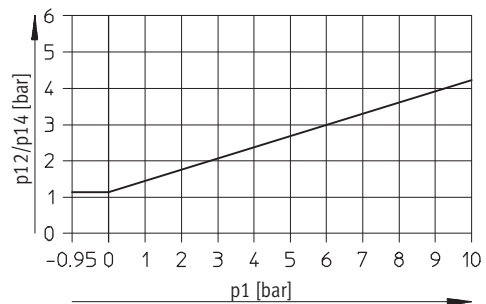
MFH-3-1/4-S



MFH-3-1/2-S



MFH-3-3/4-S



Valve response times [ms]

Pneumatic connection	G1/8		G1/4		G1/2		G3/4	
Normal position	Closed	Open	Closed	Open	Closed	Open	Closed	Open
Internal pilot air supply								
On	9	9	10	15	18	18	40	40
Off	29	29	29	45	90	90	29	29
External pilot air supply								
On	9	–	10	–	18	–	40	–
Off	29	–	29	–	90	–	29	–

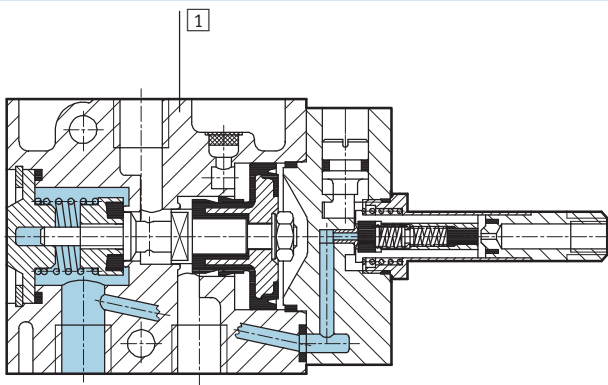
Solenoid valves MFH, Tiger Classic

Technical data – 3/2-way valves

Electrical data			
F solenoid coil			
Electrical connection		Plug vanes for plug sockets MSSD-F, KMF	
Operating voltage	D.C. voltage	[V DC]	12, 24, 42, 48
	A.C. voltage	[V AC]	24, 42, 48, 110, 230, 240 (50 ... 60 Hz)
Coil characteristics	D.C. voltage	[W]	4.5
	A.C. voltage	[VA]	Pull: 7.5 Hold: 6
Protection class to EN 60 529		IP65 (in combination with plug socket)	

Materials

Sectional view



1	Housing	Aluminium die-cast, anodised
-	Seals	Nitrile rubber

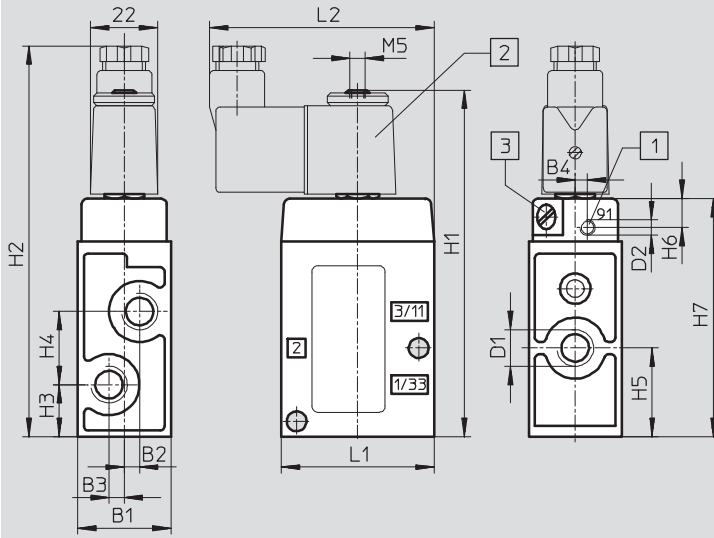
Solenoid valves MFH, Tiger Classic

Technical data – 3/2-way valves

Dimensions

Download CAD data → www.festo.com

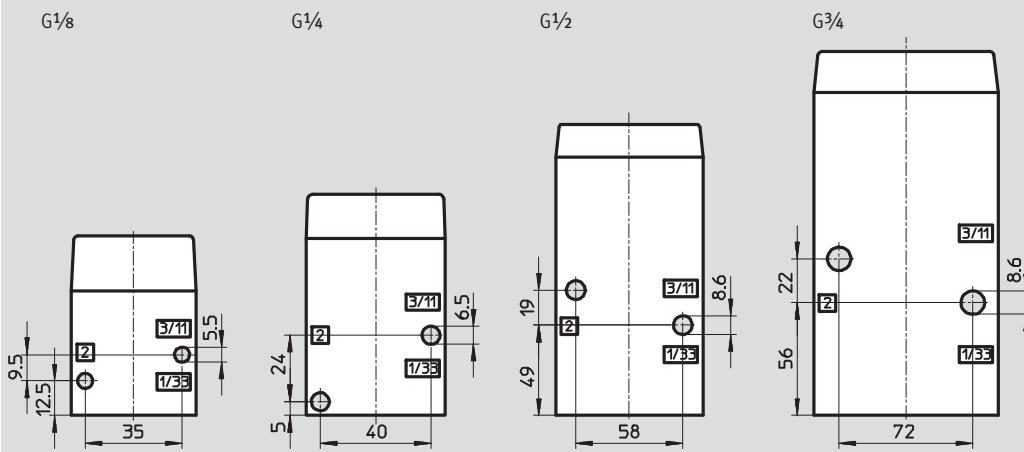
MFH, MOFH



- 1 Additional connection for external pilot air with MFH-3-...-S
- 2 Solenoid coil is 360° rotatable
- 3 Manual override can be repositioned by 180°

Pneumatic connection	B1	B2	B3	B4	D1	D2	H1	H2	H3	H4	H5	H6	H7	L1	L2
G $\frac{1}{8}$	26	3.5	3.5	2.7	G $\frac{1}{8}$	M5	97	111	12.5	19	22	9.5	63	45	71
G $\frac{1}{4}$	30.4	5	5	4	G $\frac{1}{4}$	M5	112	126	17	24	29	9.5	78	50	74
G $\frac{1}{2}$	52	8	8	-	G $\frac{1}{2}$	G $\frac{1}{8}$	151	165	30	38	49	10.5	117	80	89
G $\frac{3}{4}$	68	8	8	-	G $\frac{3}{4}$	G $\frac{1}{8}$	171	185	34	44	56	11	137	92	95

Attachment diagram



Solenoid valves MFH, Tiger Classic

Technical data – 3/2-way valves


Ordering data				
Circuit symbol	Description	Pneumatic connection	Part No.	Type
	Without F solenoid coil ¹⁾ , internal pilot air supply	G1/8	7 802	MFH-3-1/8
		G1/4	9 964	MFH-3-1/4
		G1/2	9 857	MFH-3-1/2
		G3/4	11 967	MFH-3-3/4
	Without F solenoid coil ¹⁾ , internal pilot air supply	G1/8	7 877	MOFH-3-1/8
		G1/4	7 876	MOFH-3-1/4
		G1/2	7 884	MOFH-3-1/2
		G3/4	11 969	MOFH-3-3/4
	Without F solenoid coil ¹⁾ , external pilot air supply	G1/8	7 958	MFH-3-1/8-S
		G1/4	7 959	MFH-3-1/4-S
		G1/2	7 960	MFH-3-1/2-S
		G3/4	11 968	MFH-3-3/4-S


1) F solenoid coils → 44

Ordering data – Wearing parts kits		
Pneumatic connection	Part No.	Type
G1/8	104 206	MFH-3-1/8
G1/4	104 207	MFH-3-1/4
G1/2	104 208	MFH-3-1/2

Solenoid valves MFH, Tiger Classic

Technical data – 5/2-way valves

-  - Flow rate
500 ... 3,700 l/min

-  - Voltage
12, 24, 42, 48 V DC
24, 42, 48, 110, 230,
240 V AC

- Wearing parts kits
→ 21



General technical data				
Pneumatic connection		G1/8	G1/4	G1/2
Valve function		5/2-way, single solenoid		
Constructional design		Poppet valve		
Sealing principle		Soft		
Actuation type		Electrical		
Type of reset		Mechanical spring		
Type of control		Piloted		
Direction of flow		Non reversible		
Pilot air supply		Internal or external		
Exhaust function		With flow control		
Manual override		Detenting		
Type of mounting		Via through holes		
Mounting position		Any		
Nominal size	[mm]	5	7	14
Standard nominal flow rate	[l/min]	500	1,000	3,700
Product weight	[g]	270	290	1,135

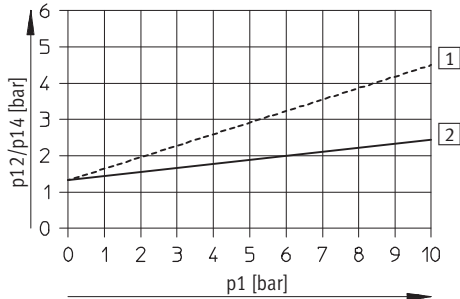
Operating and environmental conditions					
Pneumatic connection		G1/8	G1/4	G1/2	
Operating medium		Filtered compressed air, lubricated or unlubricated			
Operating pressure	Internal pilot air supply	[bar]	1.8 ... 8	2.2 ... 8	2 ... 8
	External pilot air supply	[bar]	0 ... 10	0 ... 8	0 ... 8
Pilot pressure		[bar]	1 ... 8	1.5 ... 8	1.5 ... 8
Ambient temperature		[°C]	-5 ... +40		
Temperature of medium		[°C]	-10 ... +60		

Solenoid valves MFH, Tiger Classic

Technical data – 5/2-way valves

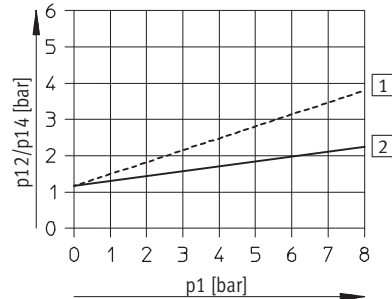
Minimal pilot pressure p_{12} , p_{14} as a function of operating pressure p_1 (external pilot air supply)

MFH-5-1/8-S



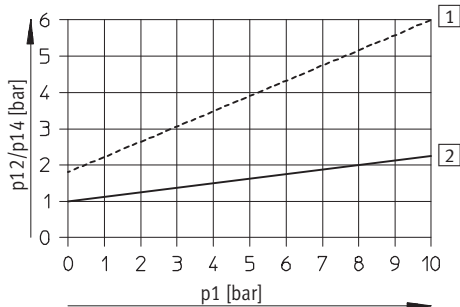
----- Exhaust throttled
 ———— Exhaust unthrottled

MFH-5-1/4-S



----- Exhaust throttled
 ———— Exhaust unthrottled

MFH-5-1/2-S



----- Exhaust throttled
 ———— Exhaust unthrottled

Valve response times [ms]						
Pneumatic connection	G ¹ / ₈		G ¹ / ₄		G ¹ / ₂	
Pilot air supply	Internal	External	Internal	External	Internal	External
On	8	8	9	9	15	21
Off	36	36	29	29	154	150

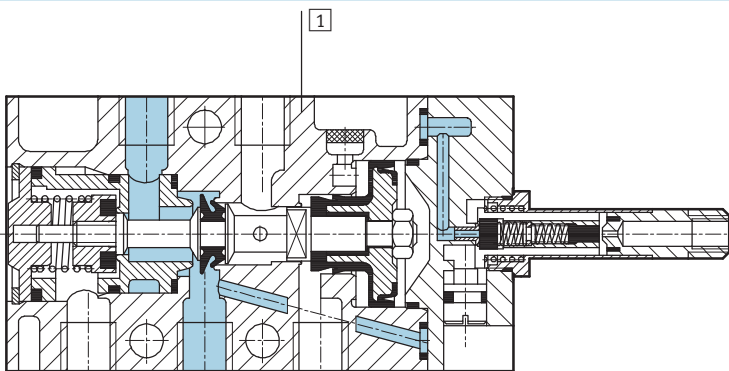
Solenoid valves MFH, Tiger Classic

Technical data – 5/2-way valves

Electrical data			
F solenoid coil			
Electrical connection		Plug vanes for plug sockets MSSD-F, KMF	
Operating voltage	D.C. voltage	[V DC]	12, 24, 42, 48
	A.C. voltage	[V AC]	24, 42, 48, 110, 230, 240 (50 ... 60 Hz)
Coil characteristics	D.C. voltage	[W]	4.5
	A.C. voltage	[VA]	Pull: 7.5 Hold: 6
Protection class to EN 60 529		IP65 (in combination with plug socket)	

Materials

Sectional view



1	Housing	Aluminium die-cast, anodised
-	Seals	Nitrile rubber

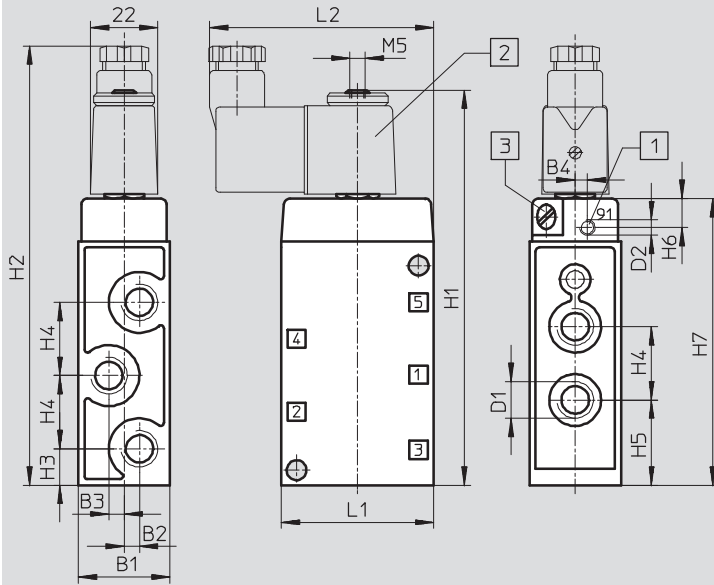
Solenoid valves MFH, Tiger Classic

Technical data – 5/2-way valves

Dimensions

Download CAD data → www.festo.com

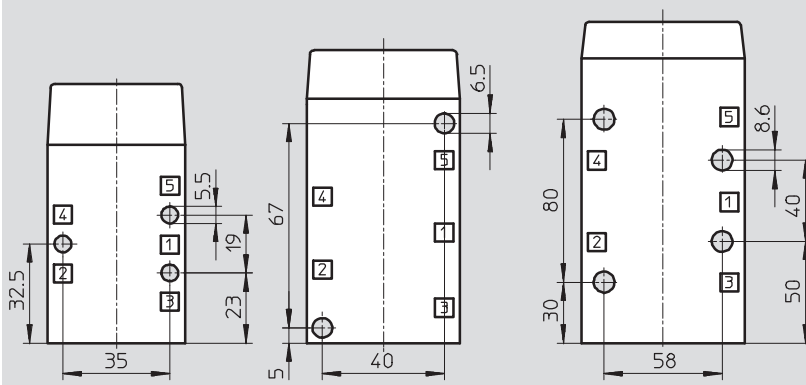
MFH



- 1 Additional connection for external pilot air with MFH-5-...-S
- 2 Solenoid coil is 360° rotatable
- 3 Manual override can be repositioned by 180°

Pneumatic connection	B1	B2	B3	B4	D1	D2	H1	H2	H3	H4	H5	H6	H7	L1	L2
G $\frac{1}{8}$	26	3.5	3.5	2.7	G $\frac{1}{8}$	M5	117	131	13.5	19	23	9.5	83	45	71
G $\frac{1}{4}$	30.4	-	5	4	G $\frac{1}{4}$	M5	128	143	12	24	28	9.5	128	50	74
G $\frac{1}{2}$	52	-	8	-	G $\frac{1}{2}$	G $\frac{3}{8}$	192	209	32	38	51	10.5	158	80	89

Attachment diagram



Solenoid valves MFH, Tiger Classic

Technical data – 5/2-way valves

Ordering data				
Circuit symbol	Description	Pneumatic connection	Part No.	Type
	Without F solenoid coil ¹⁾ , internal pilot air supply	G ¹ / ₈	9 982	MFH-5-1/8
		G ¹ / ₄	6 211	MFH-5-1/4
		G ¹ / ₂	6 420	MFH-5-1/2
	Without F solenoid coil ¹⁾ , external pilot air supply	G ¹ / ₈	10 348	MFH-5-1/8-S
		G ¹ / ₄	10 349	MFH-5-1/4-S
		G ¹ / ₂	35 547	MFH-5-1/2-S

1) F solenoid coils → 44



Ordering data – Wearing parts kits		
Pneumatic connection	Part No.	Type
G ¹ / ₈	104 209	MFH-5-1/8¹⁾²⁾
G ¹ / ₄	104 211	MFH-5-1/4³⁾⁴⁾

- 1) Order mounting sleeves 228 389 separately
- 2) Use up to E602 series
- 3) Order mounting sleeves 229 363 separately
- 4) Use from 1/81 series

Double solenoid valves JMFH, Tiger Classic

Technical data – 5/2-way double solenoid valves

FESTO

-  Flow rate
600 ... 4,500 l/min
-  Voltage
12, 24, 42, 48 V DC
24, 42, 48, 110, 230,
240 V AC

Wearing parts kits
→ 26



General technical data					
Pneumatic connection		G $\frac{1}{8}$	G $\frac{1}{4}$	G $\frac{1}{2}$	
Valve function		5/2-way, double solenoid			
Constructional design		Poppet valve			
Sealing principle		Soft			
Actuation type		Electrical			
Type of control		Piloted			
Pilot air supply		Internal or external			
Direction of flow		Non reversible			
Exhaust function		With flow control			
Manual override		Detenting			
Type of mounting		Via through holes			
Mounting position		Any			
Nominal size		[mm]	5	7	14
Standard nominal flow rate	Internal pilot air supply	[l/min]	600	1,100	4,500
	External pilot air supply	[l/min]	600	1,100	4,000
Product weight			425	530	1,210

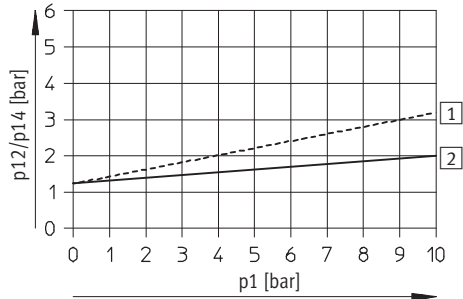
Operating and environmental conditions					
Pneumatic connection			G $\frac{1}{8}$	G $\frac{1}{4}$	G $\frac{1}{2}$
Operating medium			Filtered compressed air, lubricated or unlubricated		
Operating pressure	Internal pilot air supply	[bar]	1.5 ... 8	1.5 ... 8	2 ... 8
	External pilot air supply	[bar]	0 ... 8	0 ... 8	0 ... 8
	With dominant signal	[bar]	2.5 ... 8	2.5 ... 8	–
Pilot pressure		[bar]	1.2 ... 8	1.2 ... 8	0.5 ... 8
Ambient temperature		[°C]	–5 ... +40		
Temperature of medium		[°C]	–10 ... +60		

Double solenoid valves JMFH, Tiger Classic

Technical data – 5/2-way double solenoid valves

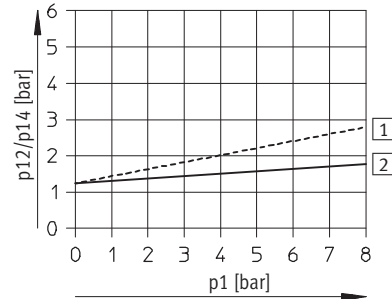
Minimal pilot pressure p_{12} , p_{14} as a function of operating pressure p_1 (external pilot air supply)

JMFH-5-1/8-S



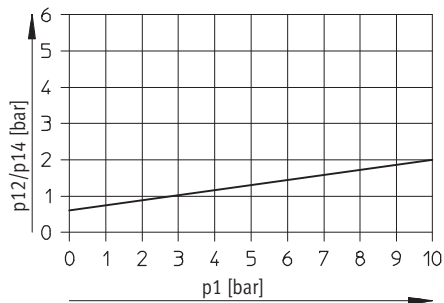
----- Exhaust throttled
 ————— Exhaust unthrottled

JMFH-5-1/4-S



----- Exhaust throttled
 ————— Exhaust unthrottled

JMFH-5-1/2-S



Valve response times [ms]

Pneumatic connection	G ¹ / ₈	Dominating signal at 14		G ¹ / ₄	Dominating signal at 14		G ¹ / ₂
Internal pilot air supply							
On/changeover	–	16	–	24	–	–	–
Off/changeover	18	24	11	32	20	–	–
External pilot air supply							
On/changeover	–	–	–	–	–	–	–
Off/changeover	18	–	11	–	20	–	–

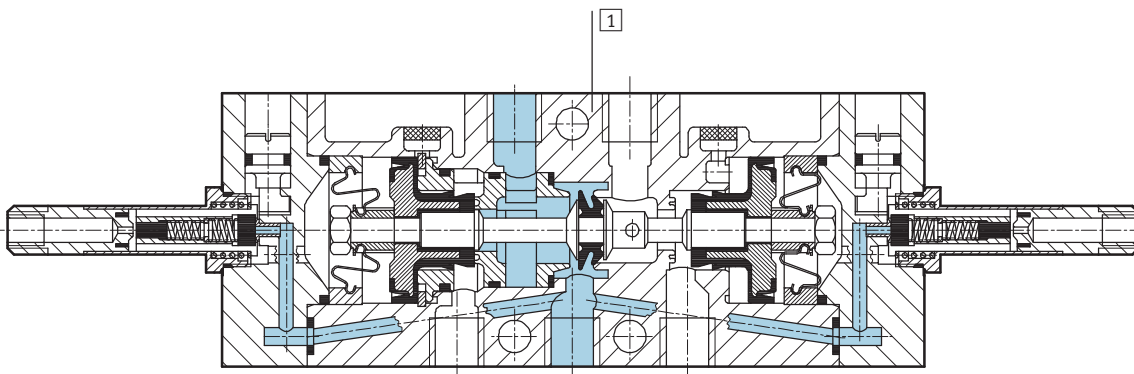
Double solenoid valves JMFH, Tiger Classic

Technical data – 5/2-way double solenoid valves

Electrical data			
F solenoid coil			
Electrical connection		Plug vanes for plug sockets MSSD-F, KMF	
Operating voltage	D.C. voltage	[V DC]	12, 24, 42, 48
	A.C. voltage	[V AC]	24, 42, 48, 110, 230, 240 (50 ... 60 Hz)
Coil characteristics	D.C. voltage	[W]	4.5
	A.C. voltage	[VA]	Pull: 7.5 Hold: 6
Protection class to EN 60 529		IP65 (in combination with plug socket)	

Materials

Sectional view



1	Housing	Aluminium die-cast, anodised
-	Seals	Nitrile rubber

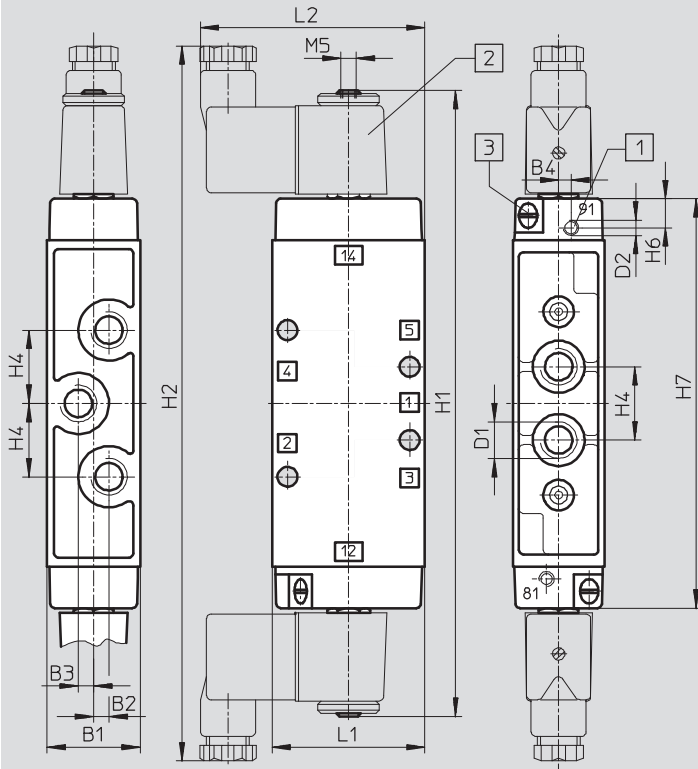
Double solenoid valves JMFH, Tiger Classic

Technical data – 5/2-way double solenoid valves

Dimensions

Download CAD data → www.festo.com

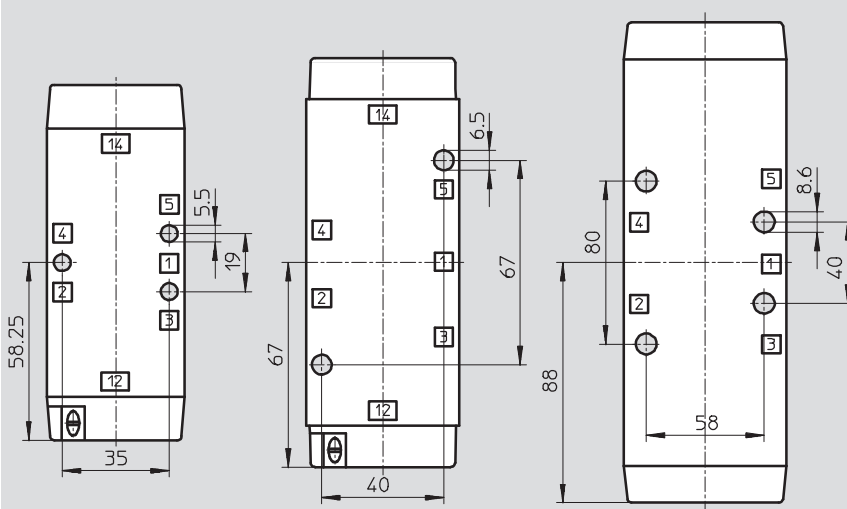
JMFH, JMFDH



- 1 Additional connection for external pilot air with JMF...H-5...-S
- 2 Solenoid coil is 360° rotatable
- 3 Manual override can be repositioned by 180°

Pneumatic connection	B1	B2	B3	B4	D1	D2	H1	H2	H4	H6	H7	L1	L2
G ¹ / ₈	26	3.5	3.5	2.7	G ¹ / ₈	M5	184	217	19	9.5	116.5	45	71
G ¹ / ₄	30.4	–	5	4	G ¹ / ₄	M5	202	235	24	9.5	134	50	74
G ¹ / ₂	52	–	8	–	G ¹ / ₂	G ¹ / ₈	244	272	38	10.5	176	80	89

Attachment diagram



Double solenoid valves JMFH, Tiger Classic

Technical data – 5/2-way double solenoid valves

Ordering data				
Circuit symbol	Description	Pneumatic connection	Part No.	Type
	Without F solenoid coil ¹⁾ , internal pilot air supply	G ¹ / ₈	8 820	JMFH-5-1/8
		G ¹ / ₄	10 410	JMFH-5-1/4
		G ¹ / ₂	10 166	JMFH-5-1/2
	Without F solenoid coil ¹⁾ , external pilot air supply	G ¹ / ₈	14 008	JMFH-5-1/8-S
		G ¹ / ₄	14 009	JMFH-5-1/4-S
		G ¹ / ₂	35 548	JMFH-5-1/2-S
	Without F solenoid coil ¹⁾ , internal pilot air supply, with dominating signal at 14	G ¹ / ₈	8 821	JMFDH-5-1/8
		G ¹ / ₄	10 411	JMFDH-5-1/4

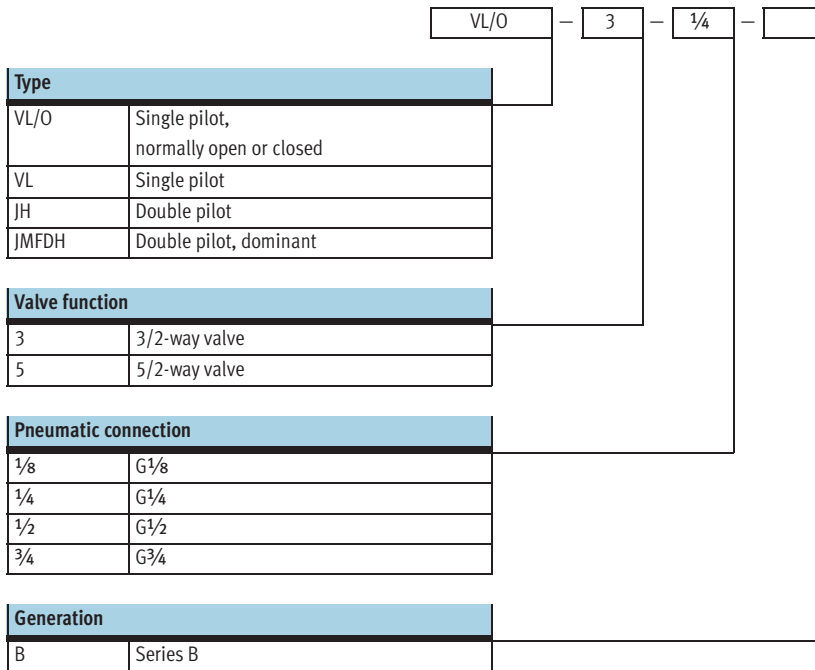
1) F solenoid coils → 44

Ordering data – Wearing parts kits		
Pneumatic connection	Part No.	Type
G ¹ / ₈	104 891	JMFH-5-1/8¹⁾
G ¹ / ₄	104 892	JMFH-5-1/4²⁾

- 1) Order mounting sleeves 228 389 separately
- 2) Order mounting sleeves 229 363 separately

Pneumatic valves, Tiger Classic

Type codes

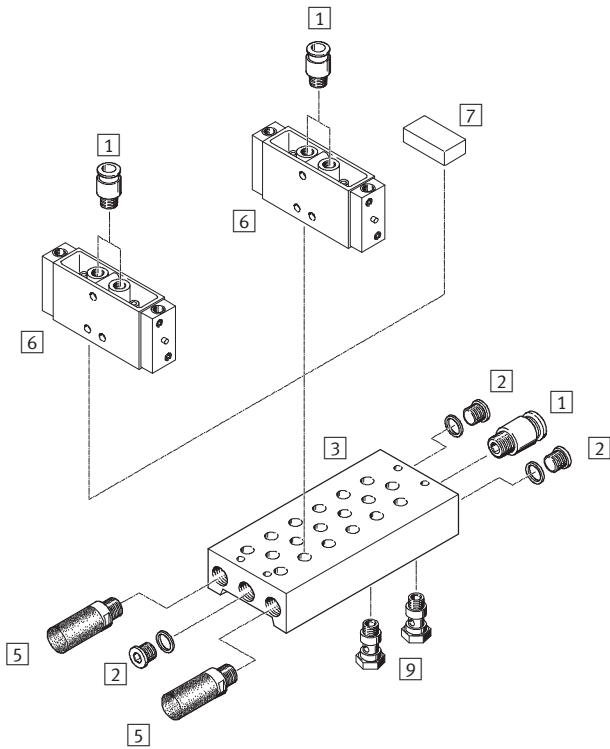


Pneumatic valves, Tiger Classic

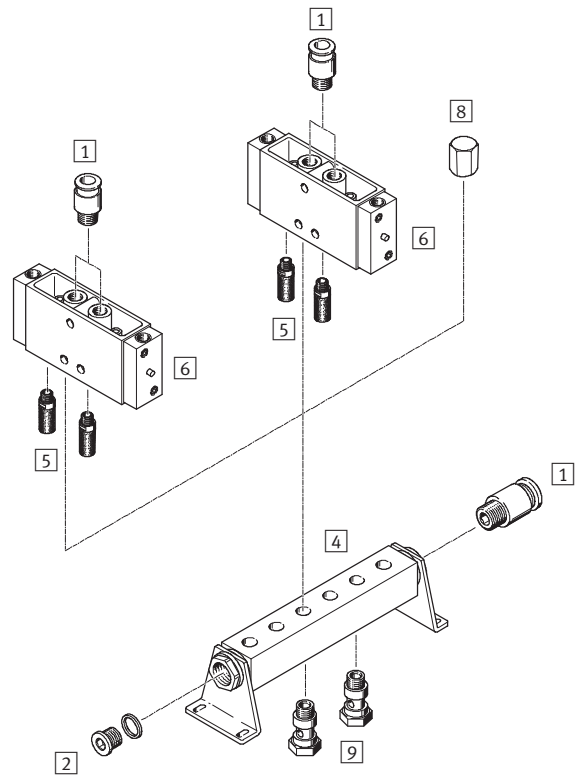
Peripherals overview

FESTO

Mounting on manifold block




Mounting on manifold strip



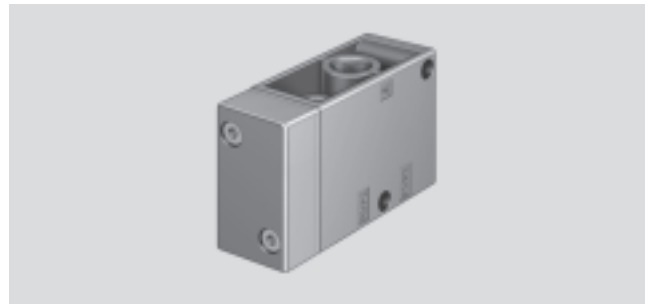
Accessories		Brief description	→ Page/Internet
1	Push-in fitting QS	For connecting standard O.D. tubing	quick star
2	Blanking plug G	3 included in the scope of delivery for PRS manifold block 1 included in the scope of delivery for PAL manifold strip	g
3	Manifold block PRS		42
4	Manifold strip PAL		40
5	Silencer	For fitting in exhaust ports	u
6	Pneumatic valve VL, JH		vl, jh
7	Blanking plate PRSB	For covering an unused valve position	43
8	Blanking cap VTM	For blanking an unused valve position	41
9	Hollow bolt VT	For distribution of compressed air or for separate compressed air supply	41

Pneumatic valves VL/O, Tiger Classic

Technical data – 3/2-way valves

-  - Flow rate
500 ... 7,500 l/min

Wearing parts kits
→ 32



General technical data					
Pneumatic connection		G1/8	G1/4	G1/2	G3/4
Valve function		3/2-way, single pilot			
Constructional design		Poppet valve			
Sealing principle		Soft			
Actuation type		Pneumatic			
Type of reset		Mechanical spring			
Type of pilot control		Direct			
Direction of flow		Reversible			
Exhaust function		With flow control			
Manual override		None			
Type of mounting		Via through holes			
Mounting position		Any			
Nominal size [mm]		5	7	14	19
Standard nominal flow rate		500	800	3,700	7,500
Product weight [g]		150	230	860	1,200

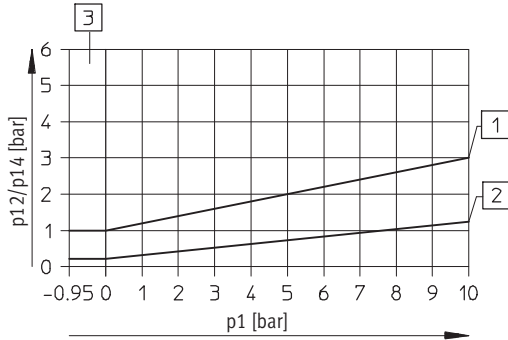
Operating and environmental conditions						
Pneumatic connection		G1/8	G1/4	G1/2	G3/4	
Operating medium		Filtered compressed air, lubricated or unlubricated Vacuum				
Operating pressure	Normally closed [bar]	-0.95 ... +10	-0.95 ... +10	-0.95 ... +10	-0.95 ... +10	
	Normally open [bar]	0 ... 10	0 ... 10	0 ... 10	0 ... 10	
Pilot pressure		See diagram (max. 10 bar)				
Ambient temperature [°C]		-10 ... +60				

Pneumatic valves VL/O, Tiger Classic

Technical data – 3/2-way valves

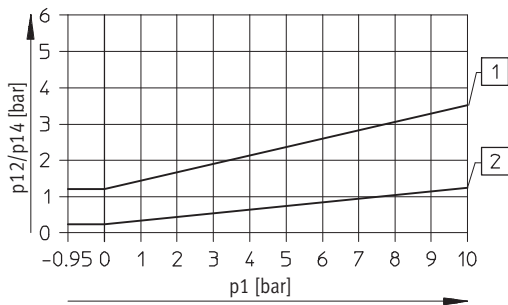
Minimal pilot pressure p_{12}/p_{14} as a function of operating pressure p_1

VL/O-3-1/8-B



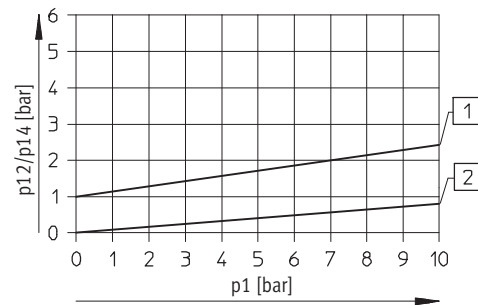
- 1 Switch-on pressure
- 2 Switch-off pressure
- 3 Only for normally closed

VL/O-3-1/4 – Normally closed



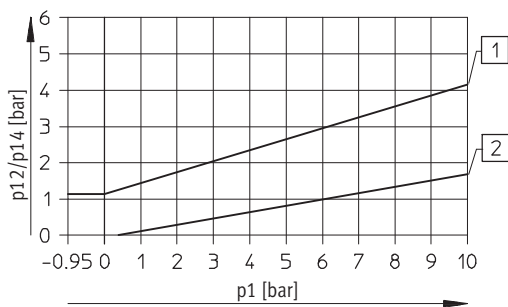
- 1 Switch-on pressure
- 2 Switch-off pressure

VL/O-3-1/4 – Normally open



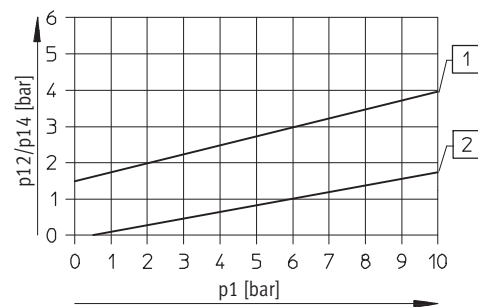
- 1 Switch-on pressure
- 2 Switch-off pressure

VL/O-3-1/2 – Normally closed



- 1 Switch-on pressure
- 2 Switch-off pressure

VL/O-3-1/2 – Normally open

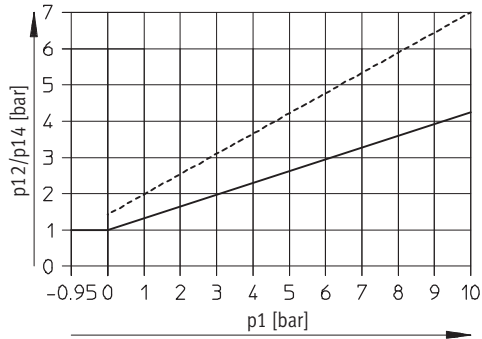


- 1 Switch-on pressure
- 2 Switch-off pressure

Pneumatic valves VL/O, Tiger Classic

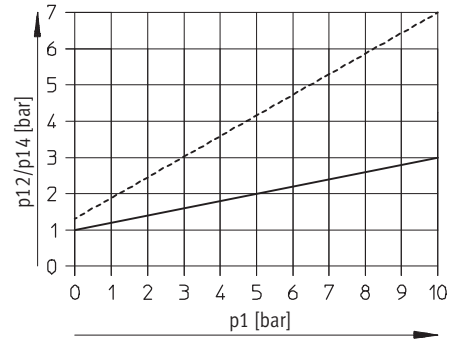
Technical data – 3/2-way valves

VL/O-3-3/4 – Normally closed



----- Exhaust throttled
 ————— Exhaust unthrottled

VL/O-3-3/4 – Normally open



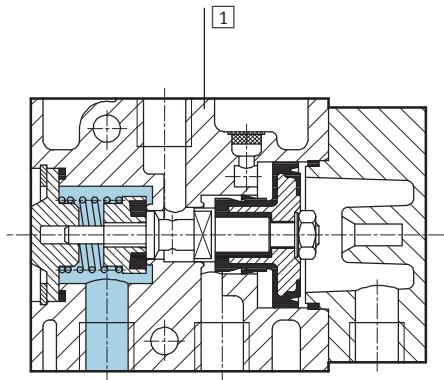
----- Exhaust throttled
 ————— Exhaust unthrottled

Valve response times [ms]

Pneumatic connection	G1/8	G1/4	G1/2	G3/4
On	4	8	17	23
Off	10	30	30	23

Materials

Sectional view



1	Housing	Aluminium die-cast, anodised
-	Seals	Nitrile rubber

Pneumatic valves VL/O, Tiger Classic

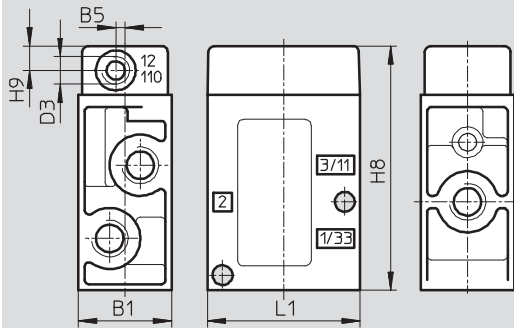
Technical data – 3/2-way valves

FESTO

Dimensions

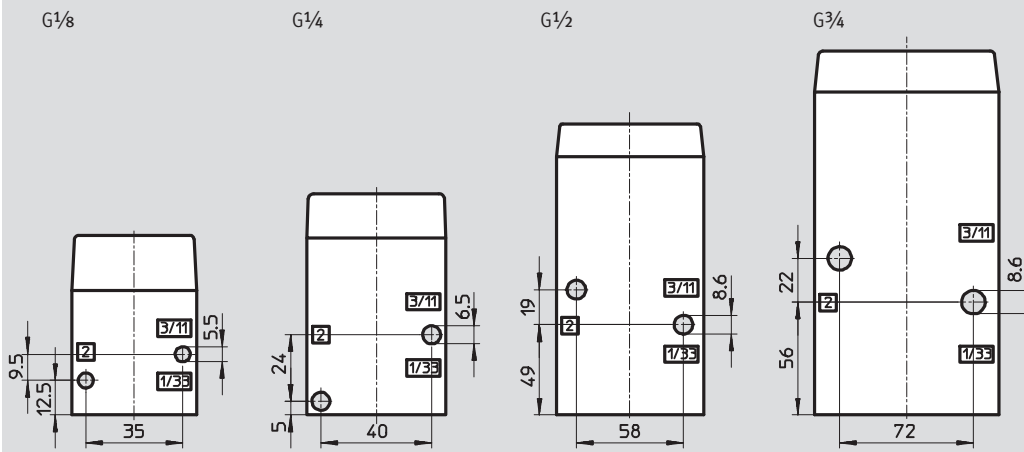
Download CAD data → www.festo.com

VL/O



Pneumatic connection	B1	B5	D3	H8	H9	L1
G $\frac{1}{8}$	26	3	G $\frac{1}{8}$	65	8	45
G $\frac{1}{4}$	30.4	–	G $\frac{1}{8}$	80	8	50
G $\frac{1}{2}$	52	–	G $\frac{1}{4}$	118	10	80
G $\frac{3}{4}$	68	–	G $\frac{1}{4}$	138	10	92

Attachment diagram



Ordering data


Circuit symbol	Description	Pneumatic connection	Part No.	Type
	Mechanical reset, optionally normally open or closed	G $\frac{1}{8}$	7 803	VL/O-3- $\frac{1}{8}$ -B
		G $\frac{1}{4}$	9 984	VL/O-3- $\frac{1}{4}$
		G $\frac{1}{2}$	9 983	VL/O-3- $\frac{1}{2}$
		G $\frac{3}{4}$	10 049	VL/O-3- $\frac{3}{4}$

Ordering data – Wearing parts kits

Pneumatic connection	Part No.	Type
G $\frac{1}{8}$	104 222	VL/O-3- $\frac{1}{8}$ -B
G $\frac{1}{4}$	104 207	VL/O-3- $\frac{1}{4}$
G $\frac{1}{2}$	104 208	VL/O-3- $\frac{1}{2}$

Pneumatic valves VL, Tiger Classic

Technical data – 5/2-way valves

-  - Flow rate
500 ... 3,700 l/min

Wearing parts kits
→ 35



General technical data				
Pneumatic connection		G1/8	G1/4	G1/2
Valve function		5/2-way, single pilot		
Constructional design		Poppet valve		
Sealing principle		Soft		
Actuation type		Pneumatic		
Type of reset		Mechanical spring		
Type of pilot control		Direct		
Direction of flow		Non reversible		
Manual override		None		
Exhaust function		With flow control		
Type of mounting		Via through holes		
Mounting position		Any		
Nominal size	[mm]	5	7	14
Standard nominal flow rate	[l/min]	500	800	3,700
Product weight		180	220	1,070

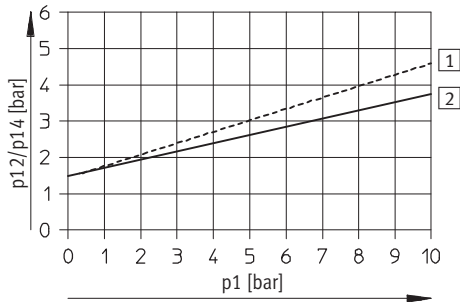
Operating and environmental conditions				
Pneumatic connection		G1/8	G1/4	G1/2
Operating medium		Filtered compressed air, lubricated or unlubricated		
Operating pressure	[bar]	0 ... 10	0 ... 8	0 ... 10
Pilot pressure	[bar]	See diagram (max. 10 bar)		
Ambient temperature	[°C]	-10 ... +60		

Pneumatic valves VL, Tiger Classic

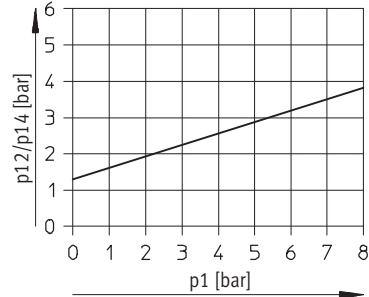
Technical data – 5/2-way valves

Minimal pilot pressure p_{12}/p_{14} as a function of operating pressure p_1

VL-5-1/8

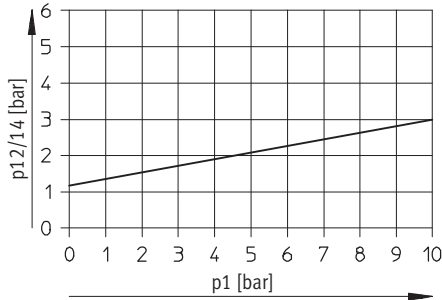


VL-5-1/4



----- Exhaust throttled
 ———— Exhaust unthrottled

VL-5-1/2

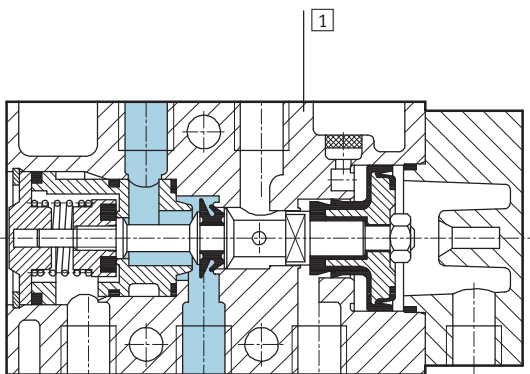


Valve response times [ms]

Pneumatic connection	G1/8	G1/4	G1/2
On	5	8	6
Off	16	12	27

Materials

Sectional view



1	Housing	Aluminium die-cast, anodised
-	Seals	Nitrile rubber

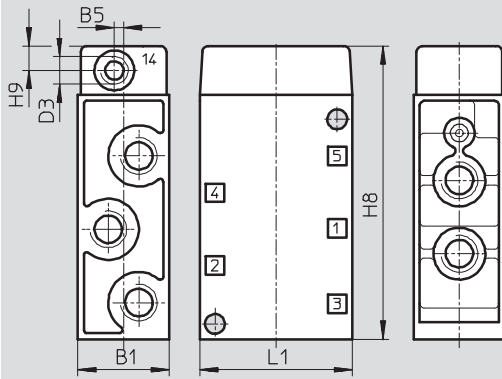
Pneumatic valves VL, Tiger Classic

Technical data – 5/2-way valves

Dimensions

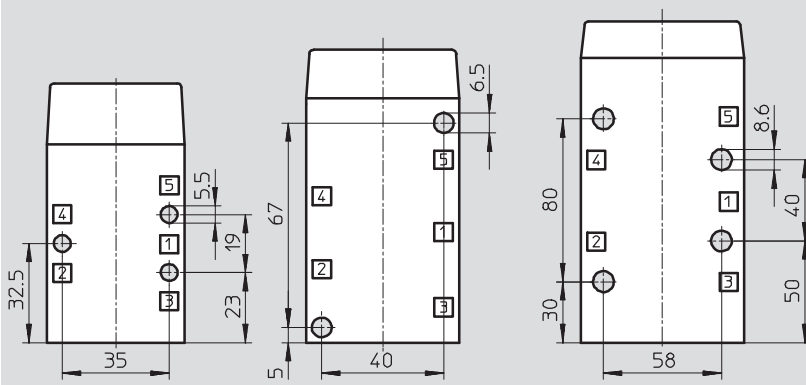
Download CAD data → www.festo.com

VL



Pneumatic connection	B1	B5	D3	H8	H9	L1
G ¹ / ₈	26	3	G ¹ / ₈	85	8	45
G ¹ / ₄	30.4	-	G ¹ / ₈	96	8	50
G ¹ / ₂	52	-	G ¹ / ₄	159	10	80

Attachment diagram



Ordering data

Circuit symbol	Description	Pneumatic connection	Part No.	Type
	Mechanical reset	G ¹ / ₈	9 764	VL-5-1/8
		G ¹ / ₄	9 199	VL-5-1/4
		G ¹ / ₂	9 445	VL-5-1/2

Ordering data – Wearing parts kits


Pneumatic connection	Part No.	Type
G ¹ / ₈	104 209	VL-5-1/8 ¹⁾
G ¹ / ₄	104 211	VL-5-1/4 ²⁾³⁾
G ¹ / ₂	104 212	VL-5-1/2

- 1) Order mounting sleeves 228 389 separately
- 2) Order mounting sleeves 229 363 separately
- 3) Use from 1/81 series

Pneumatic valves JH, Tiger Classic

FESTO

Technical data – 5/2-way valves, double pilot valves

-  - Flow rate
600 ... 4,500 l/min

Wearing parts kits
→ 39



General technical data				
Pneumatic connection	G1/8	G1/4	G1/2	
Valve function	5/2-way, double pilot			
Constructional design	Poppet valve			
Sealing principle	Soft			
Actuation type	Pneumatic			
Type of pilot control	Direct			
Direction of flow	Non reversible			
Exhaust function	With flow control			
Manual override	Resetting			
Type of mounting	Via through holes			
Mounting position	Any			
Nominal size	[mm]	5	7	14
Standard nominal flow rate		600	1,100	4,500
Product weight	[g]	245	330	1,130

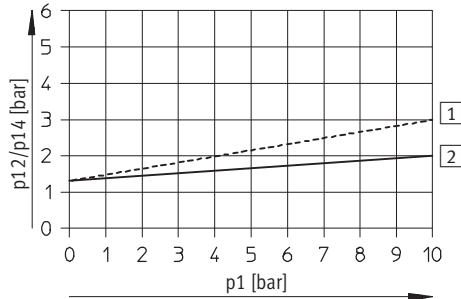
Operating and environmental conditions				
Pneumatic connection	G1/8	G1/4	G1/2	
Operating medium	Filtered compressed air, lubricated or unlubricated			
Operating pressure	[bar]	0 ... 10	0 ... 8	0 ... 10
Pilot pressure	[bar]	See diagram (max. 10 bar)		
Ambient temperature	[°C]	-10 ... +60		

Pneumatic valves JH, Tiger Classic

Technical data – 5/2-way valves, double pilot valves

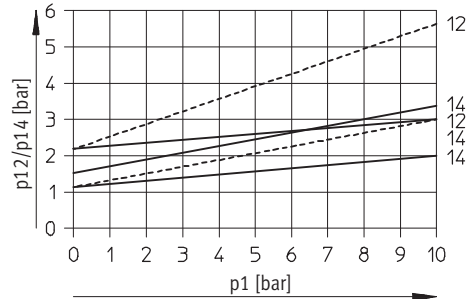
Minimal pilot pressure p_{12}/p_{14} as a function of operating pressure p_1

JH-5-1/8



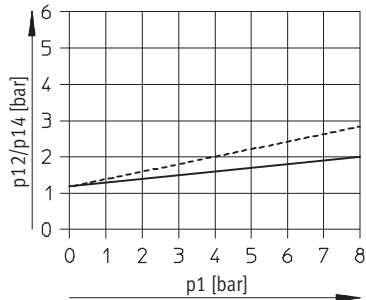
----- Exhaust throttled
 ————— Exhaust unthrottled

JDH-5-1/8



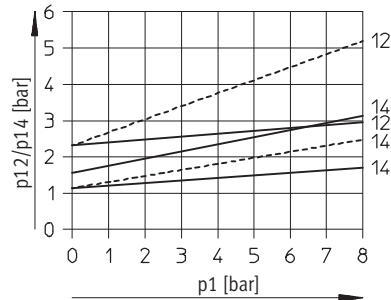
----- Exhaust throttled
 ————— Exhaust unthrottled

JH-5-1/4



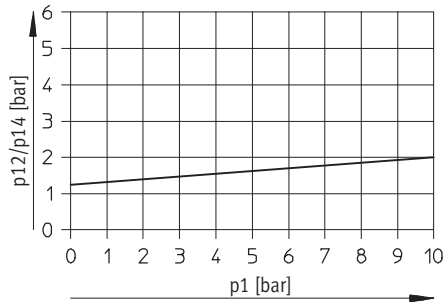
----- Exhaust throttled
 ————— Exhaust unthrottled

JDH-5-1/4



----- Exhaust throttled
 ————— Exhaust unthrottled

JH-5-1/2



Valve response times [ms]

Pneumatic connection	G1/8		G1/4		G1/2
		Dominating signal at 14		Dominating signal at 14	
On/changeover	–	9	–	7	–
Off/changeover	2	16	7	16	3

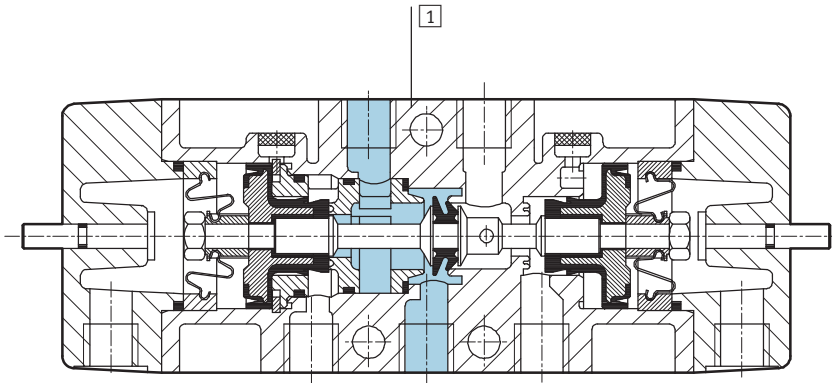
Pneumatic valves JH, Tiger Classic

Technical data – 5/2-way valves, double pilot valves

FESTO

Materials

Sectional view

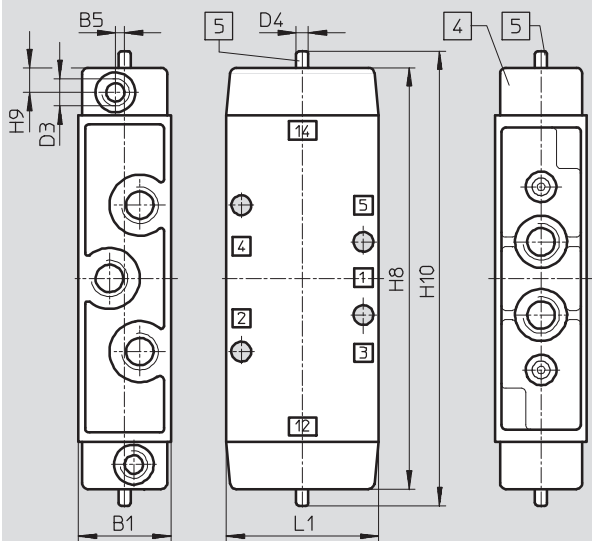


1	Housing	Aluminium die-cast, anodised
-	Seals	Nitrile rubber

Dimensions

Download CAD data → www.festo.com

JH, JDH



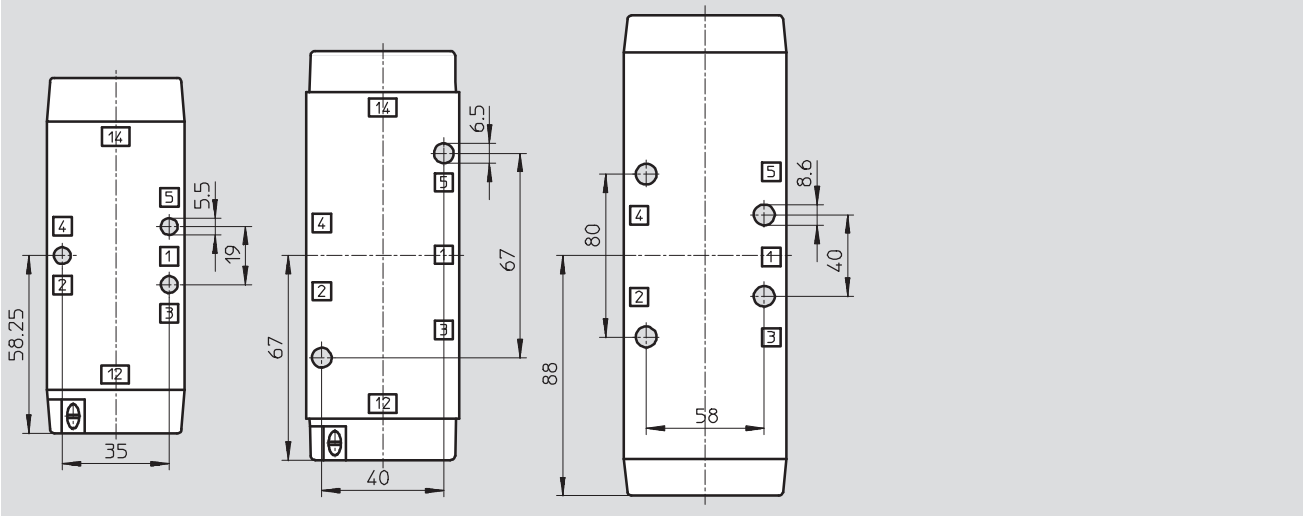
- 4 Cover can be repositioned by 180°
- 5 Manual override

Pneumatic connection	B1	B5	D3	D4 ∅	H8	H9	H10	L1
G ¹ / ₈	26	3	G ¹ / ₈	5	120	8	132	45
G ¹ / ₄	30.4	-	G ¹ / ₈	5	138	8	149	50
G ¹ / ₂	52	-	G ¹ / ₄	9.9	178	10	193	80

Pneumatic valves JH, Tiger Classic

Technical data – 5/2-way valves, double pilot valves

Attachment diagram



Ordering data

Circuit symbol	Description	Pneumatic connection	Part No.	Type
		G $\frac{1}{8}$	8 823	JH-5- $\frac{1}{8}$
		G $\frac{1}{4}$	10 408	JH-5- $\frac{1}{4}$
		G $\frac{1}{2}$	10 165	JH-5- $\frac{1}{2}$
	With dominating signal at 14	G $\frac{1}{8}$	8 824	JDH-5- $\frac{1}{8}$
		G $\frac{1}{4}$	10 409	JDH-5- $\frac{1}{4}$

Ordering data – Wearing parts kits

Pneumatic connection	Part No.	Type
G $\frac{1}{8}$	104 891	JH-5- $\frac{1}{8}$ ¹⁾
G $\frac{1}{4}$	104 892	JH-5- $\frac{1}{4}$ ²⁾

- 1) Order mounting sleeves 228 389 separately
- 2) Order mounting sleeves 229 363 separately

Solenoid/pneumatic valves, Tiger Classic

FESTO

Accessories

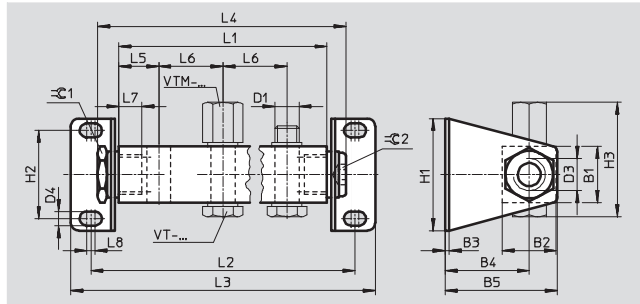
Manifold strip

PAL

Materials:

Manifold: anodised aluminium

Mounting bracket: galvanised steel



Dimensions and ordering data																	
Type	B1	B2	B3	B4	B5	D1	D3	D4	H1	H2	H3	L5	L6	L7	L8	ϕC1	ϕC2
PAL-1/8-...	20	21	2	33.5	44.5	G1/8	G1/4	5.2	44	32	43	18	34	12	4	19	8
PAL-1/4-...	28	27	2	42	56	G1/4	G3/8	7	56	44	56	20	32	14	4	24	10
PAL-1/2-...	40	40	3	73	93	G1/2	G3/4	11	80	60	75	35	69	16	5	36	17

Number of valve ports	L1	L2	L3	L4	Weight [g]	Part No.	Type
Pneumatic connection G1/8							
2	70	96	114	89	145	8 601	PAL-1/8-2
3	104	130	148	123	170	8 602	PAL-1/8-3
4	138	164	182	157	190	8 603	PAL-1/8-4
5	172	198	216	191	215	8 604	PAL-1/8-5
6	206	232	250	225	240	9 767	PAL-1/8-6
Pneumatic connection G1/4 ¹⁾							
2	72	100	120	94	330	9 188	PAL-5-1/4-2
3	104	132	152	126	405	9 189	PAL-5-1/4-3
4	136	164	184	158	480	9 190	PAL-5-1/4-4
5	168	196	216	190	555	9 191	PAL-5-1/4-5
6	200	228	248	222	630	9 192	PAL-5-1/4-6
Pneumatic connection G1/2							
2	139	181	213	164	770	9 492	PAL-1/2-2
3	208	250	282	233	915	9 493	PAL-1/2-3
4	277	319	351	302	1 060	9 494	PAL-1/2-4
5	346	388	420	371	1 220	9 495	PAL-1/2-5
6	415	457	489	440	1 370	9 496	PAL-1/2-6

1) MOFH-3-1/4 is not suitable for manifold mounting

Solenoid/pneumatic valves, Tiger Classic

FESTO

Accessories

Hollow bolt

VT

For manifold strip PAL

Material:

anodised aluminium



Ordering data			
Pneumatic connection	Weight [g]	Part No.	Type
G $\frac{1}{8}$	6	8 626	VT- $\frac{1}{8}$
G $\frac{1}{4}$	15	5 928	VT- $\frac{1}{8}$ -1 ¹⁾
G $\frac{1}{4}$	15	206 147	VT- $\frac{1}{4}$ -2
G $\frac{1}{2}$	30	9 986	VT- $\frac{1}{2}$

1) For valves with G $\frac{1}{8}$ connection

Blanking cap

VTM

For sealing vacant valve positions

Material:

wrought aluminium alloy



Ordering data			
Pneumatic connection	Weight [g]	Part No.	Type
G $\frac{1}{8}$	5	9 768	VTM- $\frac{1}{8}$
G $\frac{1}{4}$	5	9 768	VTM- $\frac{1}{8}$ -1 ¹⁾
G $\frac{1}{4}$	7	3 099	VTM- $\frac{1}{4}$
G $\frac{1}{2}$	28	9 987	VTM- $\frac{1}{2}$

1) For valves with G $\frac{1}{8}$ connection

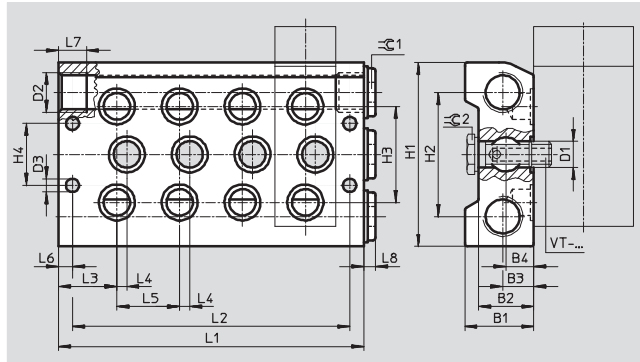
Solenoid/pneumatic valves, Tiger Classic



Accessories

Manifold block PRS

Material:
anodised aluminium



Dimensions and ordering data																				
Type	B1	B2	B3	B4	D1	D2	D3	H1	H2	H3	H4	L3	L4	L5	L6	L7	L8	≈C 1	≈C 2	
PRS-1/8-...	28.5	22	12.5	10.8	G1/8	G3/8	6.6	80	56	38	28	23.5	7	27	7	12	5	8	14	
PRS-1/4-...	34.5	27.5	14	14	G1/4	G1/2	6.6	92	62	48	31	29.2	5	31.4	7	14	6	10	17	

Number of valve ports	L1	L2	Weight [g]	Part No.	Type
Pneumatic connection G1/8					
2	81	67	360	11 898	PRS-1/8-2
3	108	94	460	11 899	PRS-1/8-3
4	135	121	625	11 900	PRS-1/8-4
5	162	148	650	11 901	PRS-1/8-5
6	189	175	750	11 902	PRS-1/8-6
Pneumatic connection G1/4					
2	89.8	75.8	590	10 185	PRS-1/4-2
3	121.2	107.2	750	10 186	PRS-1/4-3
4	152.6	138.6	900	10 187	PRS-1/4-4
5	184	170	1070	10 188	PRS-1/4-5
6	215.4	201.4	1 230	10 189	PRS-1/4-6

Hollow bolt

VT
For manifold block PRS

Material:
anodised aluminium



Ordering data			
Pneumatic connection	Weight [g]	Part No.	Type
G1/8	17	11 539	VT-1/8-PRSK
G1/4	32	9 499	VT-1/4-PRS

Solenoid/pneumatic valves, Tiger Classic

FESTO

Accessories

Blanking plate

PRSB

For sealing vacant valve positions

Material:
aluminium



Ordering data			
Pneumatic connection	Weight [g]	Part No.	Type
G $\frac{1}{8}$	55	11 687	PRSB- $\frac{1}{8}$
G $\frac{1}{4}$	80	11 688	PRSB- $\frac{1}{4}$

Hollow bolt

VT

For separate compressed air supply on valve

Material:
anodised aluminium



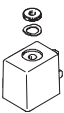
Ordering data			
Pneumatic connection	Weight [g]	Part No.	Type
G $\frac{1}{8}$	16	12 634	VT- $\frac{1}{8}$ -AJK-P
G $\frac{1}{4}$	24	12 910	VT- $\frac{1}{8}$ -AJS-P*
G $\frac{1}{4}$	45	12 635	VT- $\frac{1}{4}$ -AJ-P



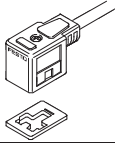
1) For valves with G $\frac{1}{8}$ connection


Solenoid/pneumatic valves, Tiger Classic

FESTO

Accessories

Ordering data – Solenoid coils			Technical data → Internet: msfg, msfw	
	Voltage	Cable length [m]	Part No.	Type
F solenoid coils				
	12 V DC	–	34 410	MSFG-12-OD
	24 V DC and 42 V AC, 50 ... 60 Hz	–	34 411	MSFG-24/42-50/60-OD
	42 V DC	–	34 413	MSFG-42-OD
	24 V AC	–	34 415	MSFW-24-50/60-OD
	48 V AC, 50 ... 60 Hz	–	34 418	MSFW-48-50/60-OD
	110 V AC, 50 ... 60 Hz and 120 V AC, 60 Hz	–	34 420	MSFW-110-50/60-OD
	230 V AC, 50 ... 60 Hz and 240 V AC, 60 Hz	–	34 422	MSFW-230-50/60-OD
	240 V AC, 50 ... 60 Hz	–	34 424	MSFW-240-50/60-OD

Ordering data – Plug sockets/plug sockets with cable for F solenoid coils				
	Voltage	Cable length [m]	LED	Part No. Type
Plug socket without cable				
Technical data → Internet: mssd				
	–	–	–	34 431 MSSD-F
	–	–	–	539 710 MSSD-F-M16
Plug socket without cable with insulation displacement technology				
Technical data → Internet: mssd				
	–	–	–	192 746 MSSD-F-S-M16
Plug socket with cable				
Technical data → Internet: kmf-1				
	24 V DC	2.5	■	30 935 KMF-1-24DC-2,5-LED
	24 V DC	5	■	30 937 KMF-1-24DC-5-LED
	24 V DC	10	■	193 458 KMF-1-24DC-10-LED
	Up to 240 V	2.5	–	30 936 KMF-1-230AC-2,5
	Up to 240 V	5	–	30 938 KMF-1-230AC-5

Ordering data – Illuminating seal			Technical data → Internet: mf-ld	
	Voltage	Part No.	Type	
For F solenoid coils				
	12 ... 24 V DC	19 143	MF-LD-12-24DC	
	230 V DC/V AC	19 144	MF-LD-230AC	