

Toothed belt axes ELGG

FESTO

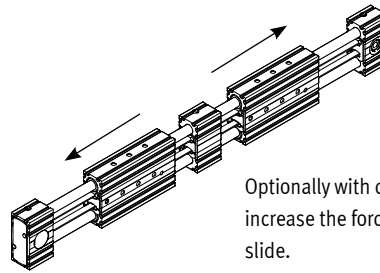
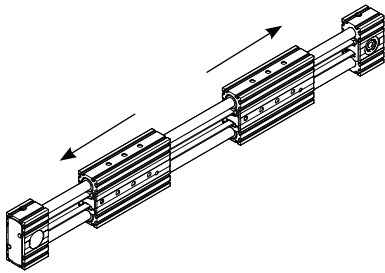


Characteristics

At a glance

- Toothed belt axis with two opposing slides
- Optimum price/performance ratio
- Ready-to-install unit for quick and easy design
- High reliability thanks to tested service life of 2500 km per slide
- Motor mounting possible on 4 sides with identical mounting accessories
- Complete kit for a simple and space-saving solution for end-position sensing
- Plain-bearing guide
 - For small loads
 - Restricted operating behaviour with torque load
 - Guide not backlash-free
- Recirculating ball bearing guide
 - For medium loads
 - Very good operating behaviour with torque load
 - Backlash-free guide (preloaded guide elements)

Opposing movement, controlled via a motor



Optionally with central support to increase the forces and torques per slide.

Application examples

- Suitable for sorting, separating and spreading
- For opening doors
- For gripping tasks with small loads
- Positioning and handling with low process forces
- Centring and aligning

Characteristic values of the axes

The specifications shown in the table are maximum values.

The precise values for each of the variants can be found in the relevant data sheet.

Design	Size	Working stroke per slide [mm]	Velocity [m/s]	Repetition accuracy [mm]	Feed force ¹⁾ [N]	Guide characteristics Forces and torques				
						F _y [N]	F _z [N]	M _x [Nm]	M _y [Nm]	M _z [Nm]
	35	50 ... 700	3	±0.1	50	50	50	2.5	20	20
	45	50 ... 900	3	±0.1	100	100	100	5	40	40
	55	50 ... 1200	3	±0.1	350	300	300	15	124	124

1) Combined feed force of both slides

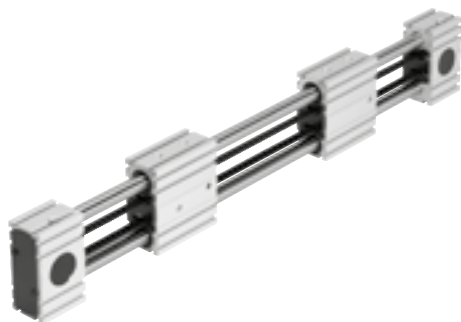
Note

Engineering software
PositioningDrives
www.festo.com

Characteristics

Complete system comprising toothed belt axis, motor, motor controller and motor mounting kit

Toothed belt axis with recirculating ball bearing guide or plain-bearing guide



Motor

→ Page 18



Servo motor:
EMMT-AS, EMME-AS, EMMS-AS
Stepper motor:
EMMS-ST



Note

A range of specially matched complete solutions is available for the toothed belt axis ELGG and the motors.

Servo drive



Servo drive:
CMMT-AS
Servo drive for extra-low voltage:
CMMT-ST

Motor mounting kit

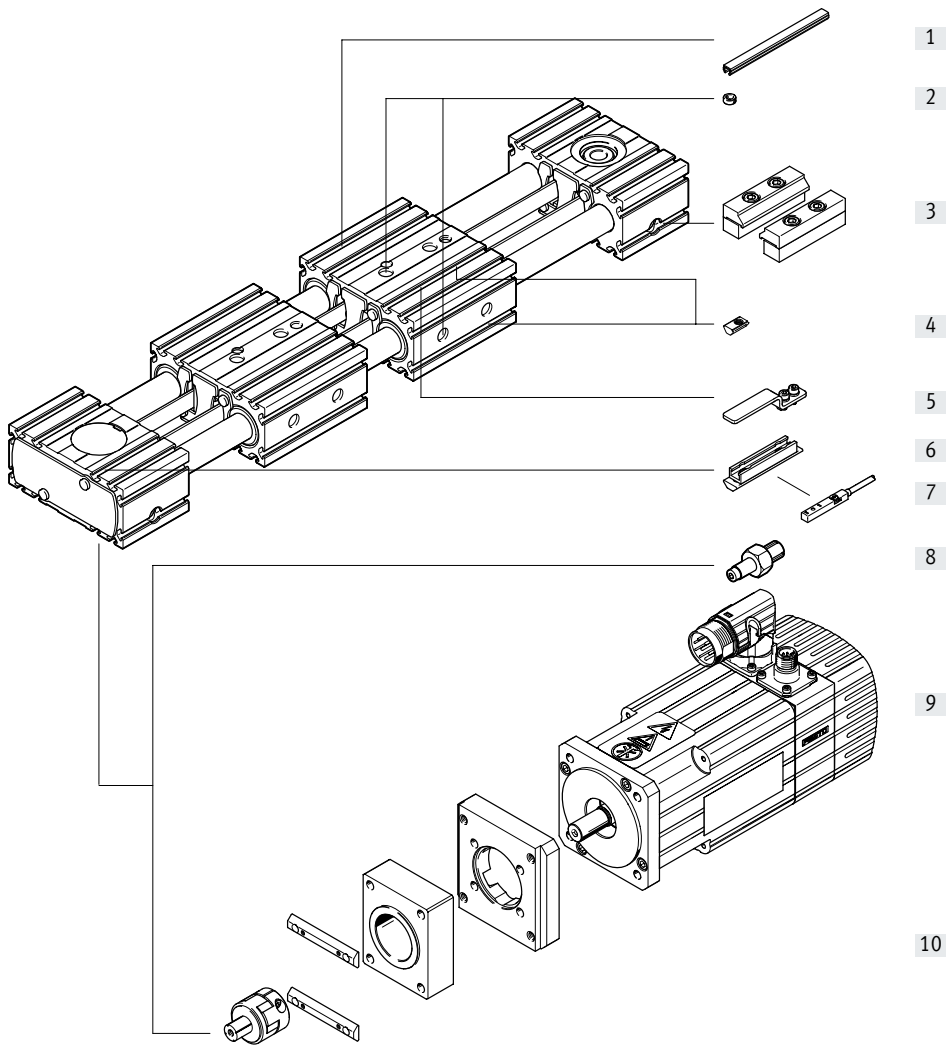
→ Page 18



Kit comprising:

- Motor flange
- Coupling housing
- Coupling
- Screws
- Slot nuts

Peripherals overview



Peripherals overview

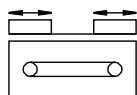
Variants and accessories			
	Type/order code	Description	→ Page/Internet
[1]	Slot cover NC	<ul style="list-style-type: none"> For protection against contamination 	23
[2]	Centring sleeve ZBH	<ul style="list-style-type: none"> For centring loads and attachments on the slide 4 centring sleeves included in the scope of delivery of the axis 	23
[3]	Profile mounting MA	For mounting the axis on the bearing cap	22
[4]	Slot nut NM	For mounting attachments	23
[5]	Switch lug SA, SB	For sensing the slide position	22
[6]	Sensor bracket SA, SB	Adapter for mounting the inductive proximity switches on the axis	22
[7]	Proximity switch, T-slot SA, SB	<ul style="list-style-type: none"> Inductive proximity switch, for T-slot 1 switch lug and 1 sensor bracket are included in the scope of delivery with the order code SA, SB 	24
[8]	Drive shaft EA	<ul style="list-style-type: none"> Can, if required, be used as an alternative interface No drive shaft is required for the axis/motor combinations → page 18 	23
[9]	Motor EMME, EMMS	Motors specially matched to the axis, with or without brake	18
[10]	Axial kit EAMM	For axial motor mounting (comprises: coupling, coupling housing and motor flange)	18
–	Connecting cable NEBU	For proximity switch (order code SA and SB)	24




Type codes

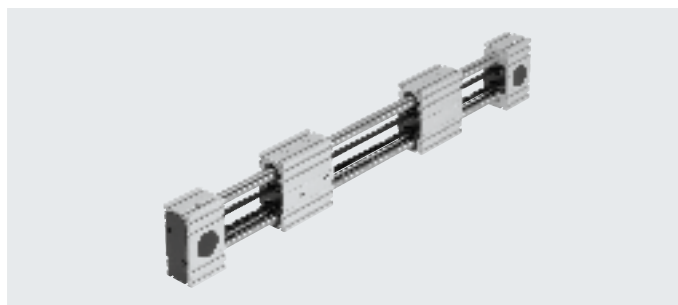
001	Series	
ELGG	Linear axis	
002	Drive system	
TB	Toothed belt	
003	Guide	
GF	Plain bearing	
	Recirculating ball bearing guide	
004	Size	
35	35	
45	45	
55	55	
005	Stroke	
...	50 ... 1200	
006	Stroke reserve	
...H	0 ... 999 mm	
007	Slide design	
	Standard	
L	Slide, long	
008	Additional slide	
	None	
ZB	Additional slide 1x left, 1x right	

009	Additional function	
	None	
M	With central support	
010	Proximity sensor, inductive, slot 8, N/O contact, cable 7.5 m	
	Without	
...SA	1 ... 6 units	
011	Proximity sensor, inductive, slot 8, N/C contact, cable 7.5 m	
	Without	
...SB	1 ... 6 units	
012	Mounting slot covering	
	None	
...NC	1 ... 50 units	
013	Slot nut for mounting slot	
	None	
...NM	1 ... 50 units	
014	Drive shaft	
	None	
...EA	1 ... 4 pieces	
015	Profile mounting	
	None	
...MA	1 ... 2 units	

Data sheet



-  Size
35 ... 55
-  Stroke length
50 ... 1200 mm
-  www.festo.com

**General technical data**

Size	35	45	55
Design	Electromechanical linear axis with toothed belt		
Guide	Recirculating ball bearing guide		
	Plain-bearing guide		
Mounting position	Any		
Working stroke per slide [mm]	50 ... 700	50 ... 900	50 ... 1200
Max. feed force $F_x^{1)}$ [N]	50	100	350
Max. no-load torque [Nm]	0.18	0.3	0.5
Max. driving torque [Nm]	0.46	1.24	5
Max. no-load resistance to shifting [N]	10.8	16.1	27.9
Max. velocity			
Recirculating ball bearing guide [m/s]	3		
Plain-bearing guide [m/s]	1		
Max. acceleration ²⁾ [m/s ²]	50		
Repetition accuracy [mm]	±0.1		

1) Combined feed force of both slides

2) The max. acceleration is dependent on the moving mass, the driving torque and the max. feed force

Operating and environmental conditions

Ambient temperature		
Recirculating ball bearing guide [°C]	-10 ... +50	
Plain-bearing guide [°C]	0 ... +40	
Degree of protection	IP20	
Duty cycle [%]	100	

Weight [kg]

Size	35	45	55
Recirculating ball bearing guide			
Basic weight with 0 mm stroke ¹⁾			
Standard slide	1.9	4.2	7.2
Long slide	2.6	6.0	10.3
Additional weight per 1000 mm stroke	4.9	10.0	15.6
Moving mass	0.8	1.7	2.9
Slide			
Standard slide	0.8	1.7	2.9
Long slide	1.3	3.0	5.2
Additional slide	0.6	1.5	2.6
Central support	0.2	0.5	0.7

1) Including 2 slides, without central support

Data sheet

Weight [kg]			
Size	35	45	55
Plain-bearing guide			
Basic weight with 0 mm stroke ¹⁾			
Standard slide	1.9	4.3	7.2
Long slide	2.7	6.2	10.8
Additional weight per 1000 mm stroke	4.9	10.0	15.6
Moving mass	0.8	1.7	3.0
Slide			
Standard slide	0.8	1.7	3.0
Long slide	1.5	3.2	5.6
Additional slide	0.6	1.5	2.6
Central support	0.2	0.5	0.7

1) Including 2 slides, without central support

Toothed belt			
Size	35	45	55
Pitch [mm]	2	3	3
Elongation [%]	0.094	0.08	0.21
Width [mm]	10	15	19.3
Effective diameter [mm]	18.46	24.83	28.65
Feed constant [mm/rev]	58	78	90

Mass moment of inertia			
Size	35	45	55
J_0			
Standard slide [kg mm ²]	76.12	289.55	656.98
Long slide [kg mm ²]	128.6	522.01	1212.78
J_S per meter stroke [kg mm ² /m]	0.26	1.1	1.9
J_L per kg payload [kg mm ² /kg]	85	154	205
J_W Additional slide [kg mm ²]	55	224	533

The mass moment of inertia J_A of the entire axis is calculated as follows:

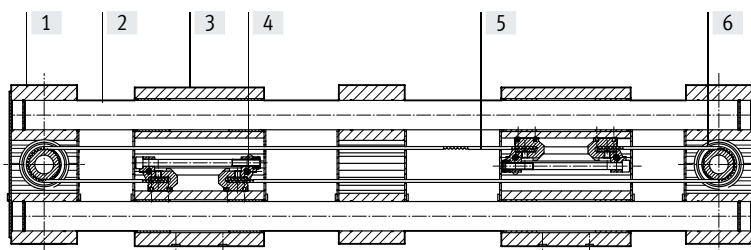
$$J_A = J_0 + K \times J_W + J_S \times \text{working stroke [m]} + J_L \times m_{\text{payload [kg]}}$$

K = Number of additional slides

Data sheet

Materials

Sectional view



Axis		
[1]	Bearing cap, profile	Anodised wrought aluminium alloy
[2]	Guide rods	Hardened and hard-chromium plated tempered steel
[3]	Slide, profile	Anodised wrought aluminium alloy
[4]	Toothed belt clamping component	Beryllium copper
[5]	Toothed belt	Polychloroprene with glass cord and nylon coating
[6]	Belt pulley	High-alloy stainless steel
	Note on materials	RoHS-compliant
		Contains paint-wetting impairment substances

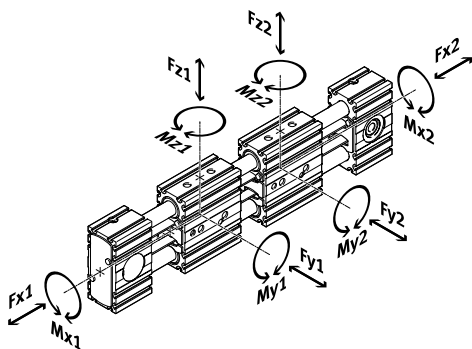
Data sheet

Characteristic load values

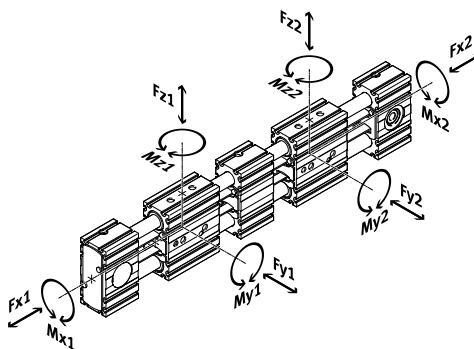
The indicated forces and torques refer to the centre of the guide. The point of application of force is the point where the centre of the guide and the longitudinal centre of the slide intersect.

These values must not be exceeded during dynamic operation. Special attention must be paid to the deceleration phase.

Without central support



With central support



If the axis is subjected to two or more of the indicated forces and torques simultaneously, the following equation must be satisfied in addition to the indicated maximum loads:

Without central support

Calculating the load comparison factor:

$$f_v = \frac{|F_{y1} + F_{y2}|}{F_{y3}} + \frac{|F_{z1} + F_{z2}|}{F_{z3}} + \frac{|M_{x1} + M_{x2}|}{M_{x3}} + \frac{|M_{y1} + M_{y2}|}{M_{y3}} + \frac{|M_{z1} + M_{z2}|}{M_{z3}} \leq 1$$

F₁/M₁ dynamic values
 F₂/M₂ dynamic values
 F₃/M₃ maximum values

With central support

Calculating the load comparison factor:

$$f_v = \frac{|F_{y1}|}{F_{y3}} + \frac{|F_{z1}|}{F_{z3}} + \frac{|M_{x1}|}{M_{x3}} + \frac{|M_{y1}|}{M_{y3}} + \frac{|M_{z1}|}{M_{z3}} \leq 1 \quad f_v = \frac{|F_{y2}|}{F_{y3}} + \frac{|F_{z2}|}{F_{z3}} + \frac{|M_{x2}|}{M_{x3}} + \frac{|M_{y2}|}{M_{y3}} + \frac{|M_{z2}|}{M_{z3}} \leq 1$$

F₁/M₁ dynamic values
 F₂/M₂ dynamic values
 F₃/M₃ maximum values

Permissible forces and torques for a service life of 2500 km per slide

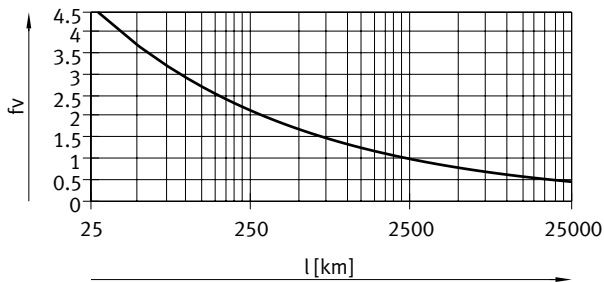
Guide	Plain-bearing guide			Recirculating ball bearing guide		
Size	35	45	55	35	45	55
F _{y max} , F _{z max} [N]	50	100	300	50	100	300
Standard slide						
M _{x max} [Nm]	1	2.5	5	2.5	5	15
M _{y max} [Nm]	4	8	16	8	16	48
M _{z max} [Nm]	4	8	16	8	16	48
Long slide						
M _{x max} [Nm]	1	2.5	5	2.5	5	15
M _{y max} [Nm]	10	20	40	20	40	124
M _{z max} [Nm]	10	20	40	20	40	124

Data sheet

Service life

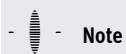
The service life of the guide depends on the load. To provide a rough indication of the service life of the guide, the graph below plots the load comparison factor f_v against the service life.

These values are only theoretical. You must consult your local contact person at Festo for load comparison factors f_v greater than 1.5.

Load comparison factor f_v as a function of service life

Example:

A user wants to move an X kg load. Using the formula → page 10 gives a value of 1.5 for the load comparison factor f_v . According to the graph, the guide would have a service life of approx. 750 km. Reducing the acceleration reduces the M_z and M_y values. A load comparison factor of 1 now gives a service life of 2500 km.

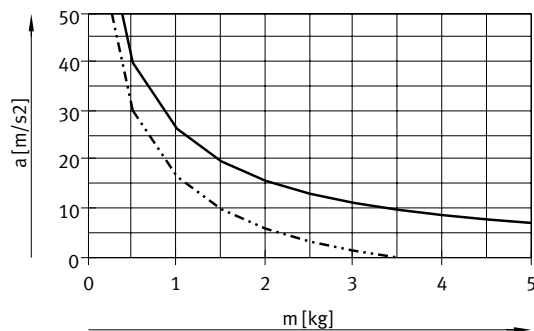


Note

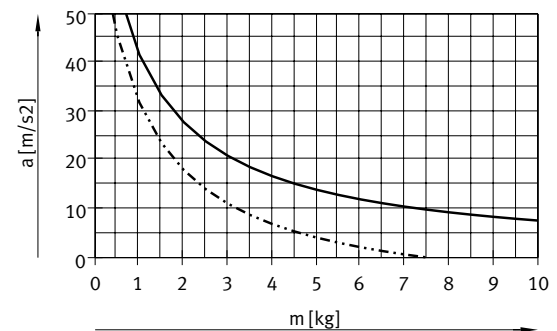
Engineering software
PositioningDrives
www.festo.com

Max. acceleration a as a function of applied load m

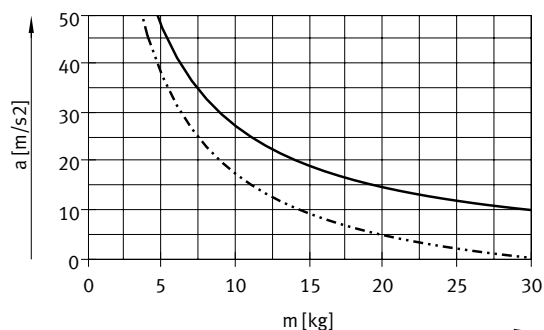
ELGG-35



ELGG-45



ELGG-55



Note

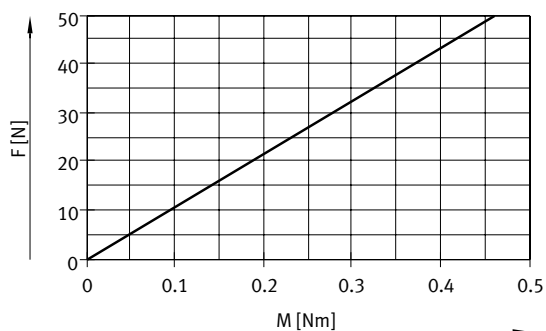
For the plain-bearing guide (GF) it is recommended to reduce the acceleration to minimise overshings and increase positioning accuracy.

— Horizontal
- - - Vertical

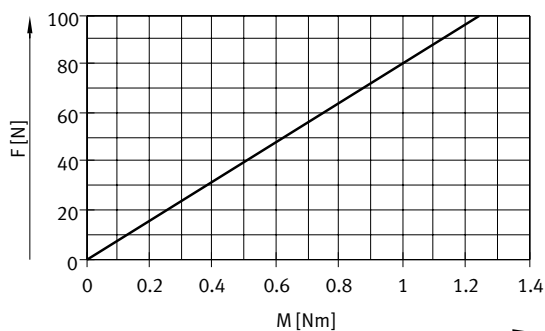
Data sheet

Feed force F_x as a function of input torque M

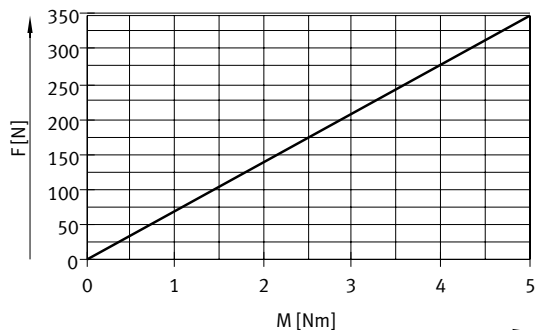
ELGG-35



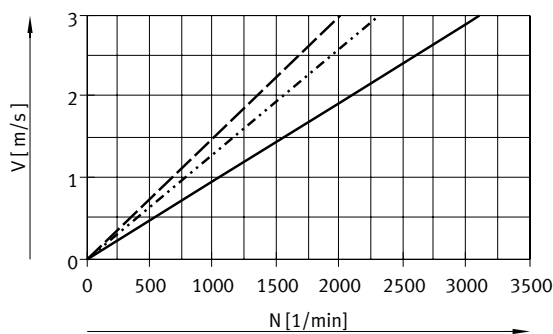
ELGG-45



ELGG-55



Velocity v as a function of rotational speed n



— ELGR-TB-35
 ELGR-TB-45
 - - - ELGR-TB-55

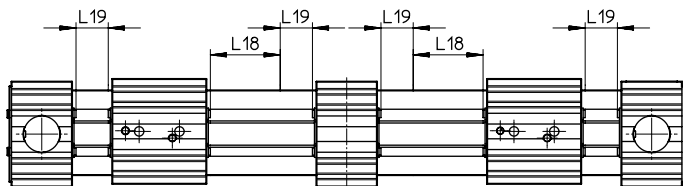
Minimum nominal stroke

With standard slide or long slide L with additional slide ZB

Size	35		45		55		
Variant	-/L	ZB	-/L	ZB	-/L	ZB	
Min. nominal stroke	[mm]	50	126	50	146	50	166

Data sheet

Stroke reserve



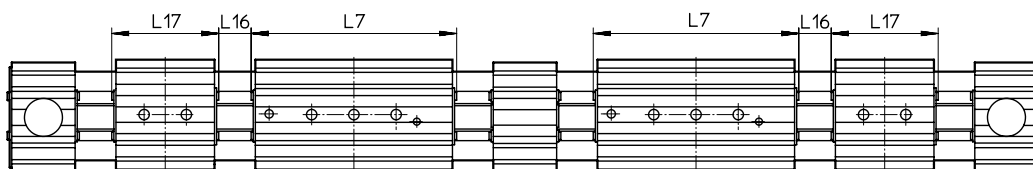
L18 = Nominal stroke
L19 = Stroke reserve

- The stroke reserve is a safety distance from the mechanical end position and is not used in normal operation
- The sum of the nominal stroke and 2x stroke reserve must not exceed the maximum permissible working stroke per slide
- The stroke reserve length can be freely selected
- The stroke reserve is defined via the "stroke reserve" characteristic in the modular product system.

Example:
Type ELGG-TB-45-500-20H-...
Nominal stroke = 500 mm
2x stroke reserve = 40 mm
Working stroke per slide = 540 mm
(540 mm = 500 mm + 2x 20 mm)

Working stroke reduction

With standard slide or long slide L with additional slide ZB



L7 = Slide length
L16 = Distance between the two slides
L17 = Additional slide length

- For a toothed belt axis with additional slide, the working stroke is reduced by the length of the additional slide and the distance between the two slides
- If the variant long slide L is ordered, the additional slide is not extended

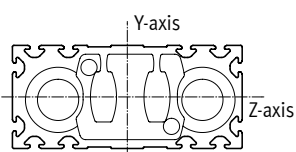
Example:
Type ELGG-TB-35-500-...-ZR
Working stroke = 500 mm
L16 = 10 mm
L7 = 146 mm
L17 = 76 mm

Working stroke per slide with additional slide = 414 mm
(500 mm – 10 mm – 76 mm)

Dimensions – Additional slide

Size	35	45	55
Length L17 [mm]	76	96	116
Distance between the slides L16 [mm]	≥ 0		

2nd moments of area



Size	35	45	55
ly [mm ⁴]	4.19x10 ³	17.95x10 ³	41.18x10 ³
lz [mm ⁴]	3.77x10 ³	15.71x10 ³	38.35x10 ³

Recommended deflection limits

Adherence to a maximum deflection of 0.5 mm is recommended so as not to impair the functionality of the axes. Greater deformation can result in increased friction, greater wear and reduced service life.

Data sheet

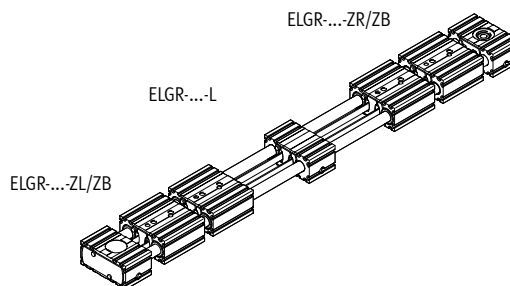
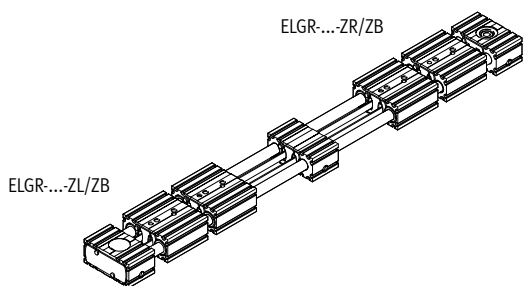
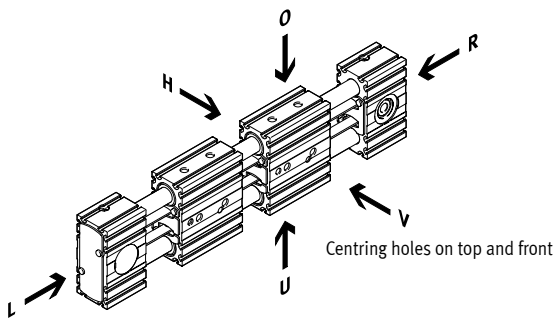
Size	B1	B2	B3	B4	B5	B6	B7	D1 ∅ H7	D2 ∅	D3 ∅ H7	D4 ∅ H7	H1	H2	H3
ELGG-35	37	35	20	7.5	9.5	1	17.5	8	15	27	7	80	39	78
ELGG-35-L							47	45	20	12.5				
ELGG-45	57	55	30	12.5	14.5							27.5	16	25
ELGG-45-L														
ELGG-55														
ELGG-55-L														

Size	H4	H5	H6	H7	H8	H9	H10	H11	H12	H13	H14	H15	L1	L2
ELGG-35	19	40	7.5	63	39	21	9.5	15.5	13.5	49	23.5	20	259	89
ELGG-35-L													399	124
ELGG-45	32.5	50	12.5	90	57.5	34.5	14.5	23	21	71	34.5	25	317	108
ELGG-45-L													497	153
ELGG-55	32.5	70	12.5	110	67.5	34.5	14.5	25.5	23.5	86	42	35	361	120
ELGG-55-L													581	175

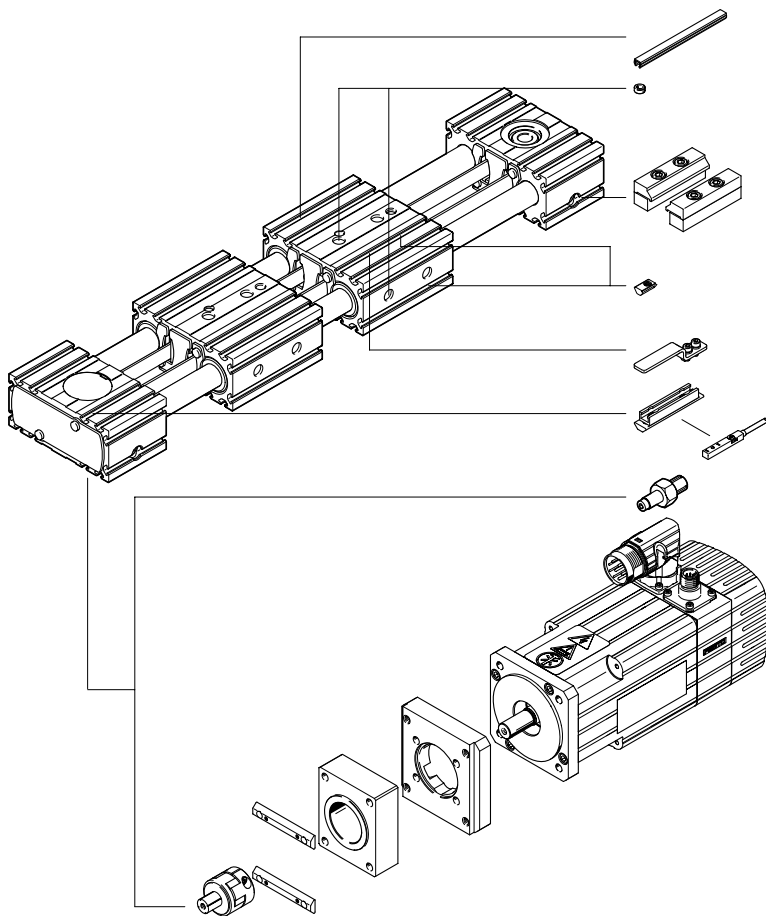
Size	L3	L4	L5	L6	L7	L8	L9	L10	L11	n	T1	T2	T3 +0.1
ELGG-35	51	25.5	3	45	76	70	30	20	51	1	3.1	1.6	1.6
ELGG-35-L					146	140		40		2			
ELGG-45	60	30		54	96	90	40	25	60	1	3	1.7	
ELGG-45-L			186		180	50		2					
ELGG-55	62	31	56	116	110	40	35	62	1	4.5	2		
ELGG-55-L					226		220		70			2	

Ordering data – Modular product system

Orientation guide



Accessories



Ordering data – Modular product system

Ordering table									
Size	35		45		55		Conditions	Code	Enter code
Module no.	571058		571059		571060				
Design	Linear axis							ELGG	ELGG
Function	Toothed belt							-TB	-TB
Guide	Recirculating ball bearing guide								
	Plain-bearing guide							-GF	
Size [mm]	35		45		55			-...	-...
Stroke length per slide [mm]	1 ... 700		1 ... 900		1 ... 1200			-...	-...
Stroke reserve per slide	0 ... 999 (0 = no stroke reserve)						[1]	-...H	
Slide design	Standard slide								
	Long slide							-L	
Additional slide	No additional slide								
	1 slide on right, 1 slide on left						[2]	-ZB	
Additional function	Without								
	Central support						[3]	-M	
Accessories	Accessories enclosed separately							+	+
Proximity switch (SIES), inductive, slot type 8, PNP, including switch lug	N/O contact, 7.5 m cable		1 ... 6					...SA	
	N/C contact, 7.5 m cable		1 ... 6					...SB	
Mounting slot cover	-		1 ... 50 (1 = 2 units, 500 mm length)					...NC	
Slot nut for mounting slot	1 ... 99							...NM	
Drive shaft	1 ... 4							...EA	
Profile mounting	1 ... 2							...MA	


[1] -... The sum of nominal stroke and 2x stroke reserve must not exceed the maximum stroke length.

[2] ZB Working stroke reduction → page 13

[3] M With size 35 and stroke > 350 mm, size 45 and stroke > 450 mm, size 55 and stroke > 700 mm, the toothed belt axis is always supplied with central support M.

Size	35		45		55	
Variant	-/L	ZB	-/L	ZB	-/L	ZB
Min. nominal stroke [mm]	50	126	50	146	50	166

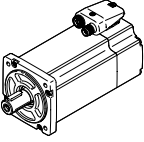
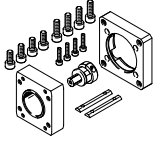
Accessories

-  - Note

Depending on the combination of motor and drive, it may not be possible to reach the maximum feed force of the drive.

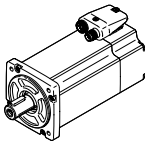
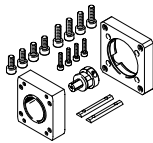
Permissible axis/motor combinations with axial kit

Data sheets → Internet: eamm-a

Motor / gear unit ¹⁾	Axial kit	
Type	Part no.	Type
		
ELGG-35		
with servo motor		
EMMS-AS-55-...	1133400	EAMM-A-R27-55A
with servo motor and gear unit		
EMME-AS-40-... EMGA-40-P-G...-EAS-40	1456622	EAMM-A-R27-40G
EMMS-AS-40-... EMGA-40-P-G...-SAS-40	1456622	EAMM-A-R27-40G
with stepper motor		
EMMS-ST-57-...	★ 1133403	EAMM-A-R27-57A
with stepper motor and gear unit		
EMMS-ST-42-... EMGA-40-P-G...-SST-42	1456622	EAMM-A-R27-40G
with integrated drive		
EMCA-EC-67-...	1456619	EAMM-A-R27-67A
with integrated drive and gear unit		
EMCA-EC-67-... EMGC-40-...	1456622	EAMM-A-R27-40G

1) The input torque must not exceed the max. permissible transferable torque of the axial kit.

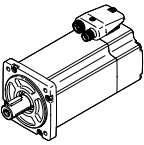
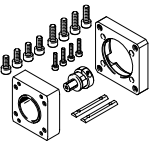
Accessories

Permissible axis/motor combinations with axial kit		Data sheets → Internet: eamm-a	
Motor / gear unit ¹⁾	Axial kit		
			
Type	Part no.	Type	
ELGG-45			
with servo motor			
EMMT-AS-60-..., EMME-AS-60-...	☆ 2224996	EAMM-A-R38-60P	
EMMS-AS-70-...	1133401	EAMM-A-R38-70A	
with servo motor and gear unit			
EMME-AS-40-...	1456623	EAMM-A-R38-40G	
EMGA-40-P-G...-EAS-40			
EMMS-AS-40-...	1456623	EAMM-A-R38-40G	
EMGA-40-P-G...-SAS-40			
EMMS-AS-55-...	2310075	EAMM-A-R38-60G	
EMGA-60-P-G...-SAS-55			
EMMT-AS-60-..., EMME-AS-60-...	1456630	EAMM-A-R38-60H	
EMGA-60-P-G...-EAS-60			
EMMS-AS-70-...	2310075	EAMM-A-R38-60G	
EMGA-60-P-G...-SAS-70			
with stepper motor			
EMMS-ST-57-...	☆ 1578138	EAMM-A-R38-57A	
EMMS-ST-87-...	☆ 1133404	EAMM-A-R38-87A	
with stepper motor and gear unit			
EMMS-ST-42-...	1456623	EAMM-A-R38-40G	
EMGA-40-P-G...-SST-42			
EMMS-ST-57-...	2310075	EAMM-A-R38-60G	
EMGA-60-P-G...-SST-57			
with integrated drive and gear unit			
EMCA-EC-67-...	1456623	EAMM-A-R38-40G	
EMGC-40-...			
EMCA-EC-67-...	1456630	EAMM-A-R38-60H	
EMGC-60-...			

1) The input torque must not exceed the max. permissible transferable torque of the axial kit.

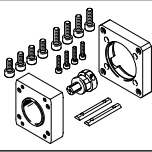
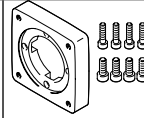
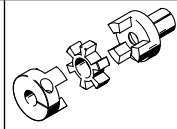
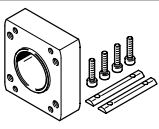
Accessories

Data sheets → Internet: eamm-a

Permissible axis/motor combinations with axial kit			
Motor / gear unit ¹⁾	Axial kit		
Type	Part no.	Type	
			
ELGG-55			
with servo motor			
EMMS-AS-70-...	1578139	EAMM-A-R48-70A	
EMMT-AS-80-..., EMME-AS-80-...	☆ 2225090	EAMM-A-R48-80P	
EMMT-AS-100-..., EMME-AS-100-..., EMMS-AS-100-...	☆ 1133402	EAMM-A-R48-100A	
with servo motor and gear unit			
EMMS-AS-55-...	2374780	EAMM-A-R48-60G	
EMGA-60-P-G...-SAS-55			
EMMT-AS-60-..., EMME-AS-60-...	1456633	EAMM-A-R48-60H	
EMGA-60-P-G...-EAS-60			
EMMS-AS-70-...	2374780	EAMM-A-R48-60G	
EMGA-60-P-G...-SAS-70			
with stepper motor			
EMMS-ST-87-...	☆ 1133405	EAMM-A-R48-87A	
with stepper motor and gear unit			
EMMS-ST-57-...	2374780	EAMM-A-R48-60G	
EMGA-60-P-G...-SST-57			
with integrated drive and gear unit			
EMCA-EC-67-...	1456633	EAMM-A-R48-60H	
EMGC-60-...			

1) The input torque must not exceed the max. permissible transferable torque of the axial kit.

Accessories

Permissible axis/motor combinations with axial kit			
Axial kit	Comprising: Motor flange	Coupling	Coupling housing
			
Part no. Type	Part no. Type	Part no. Type	Part no. Type
ELGG-35			
1456622 EAMM-A-R27-40G	1460097 EAMF-A-38A-40G	557998 EAMD-19-15-10-8X10	1133397 EAMK-A-R27-38A
1133400 EAMM-A-R27-55A	558176 EAMF-A-38A-55A	557999 EAMD-19-15-9-8X10	1133397 EAMK-A-R27-38A
★ 1133403 EAMM-A-R27-57A	560692 EAMF-A-38A-57A	561292 EAMD-16-15-6.35-8X10	1133397 EAMK-A-R27-38A
1456619 EAMM-A-R27-67A	1490100 EAMF-A-38A-67A	557999 EAMD-19-15-9-8X10	1133397 EAMK-A-R27-38A
ELGG-45			
1456623 EAMM-A-R38-40G	1460097 EAMF-A-38A-40G	1453860 EAMD-25-22-10-10X12	1133398 EAMK-A-R38-38A
★ 1578138 EAMM-A-R38-57A	560692 EAMF-A-38A-57A	561293 EAMD-25-22-6.35-10X12	1133398 EAMK-A-R38-38A
2310075 EAMM-A-R38-60G	558017 EAMF-A-38A-60G/H	558000 EAMD-25-22-11-10X12	1133398 EAMK-A-R38-38A
1456630 EAMM-A-R38-60H	558017 EAMF-A-38A-60G/H	1453861 EAMD-28-22-14-10X12	1133398 EAMK-A-R38-38A
★ 2224996 EAMM-A-R38-60P	1987412 EAMF-A-38A-60P	1453861 EAMD-28-22-14-10X12	1133398 EAMK-A-R38-38A
1133401 EAMM-A-R38-70A	558018 EAMF-A-38A-70A	558000 EAMD-25-22-11-10X12	1133398 EAMK-A-R38-38A
★ 1133404 EAMM-A-R38-87A	560693 EAMF-A-38A-87A	558000 EAMD-25-22-11-10X12	1133398 EAMK-A-R38-38A
ELGG-55			
2374780 EAMM-A-R48-60G	558019 EAMF-A-48A-60G/H	558001 EAMD-32-32-11-16X20	1133399 EAMK-A-R48-48A
1456633 EAMM-A-R48-60H	558019 EAMF-A-48A-60G/H	1377840 EAMD-32-32-14-16X20	1133399 EAMK-A-R48-48A
1578139 EAMM-A-R48-70A	558025 EAMF-A-48A-70A	558001 EAMD-32-32-11-16X20	1133399 EAMK-A-R48-48A
★ 2225090 EAMM-A-R48-80P	2043427 EAMF-A-48A-80P	558002 EAMD-42-40-19-16X25	1133399 EAMK-A-R48-48A
★ 1133405 EAMM-A-R48-87A	560695 EAMF-A-48A-87A	558001 EAMD-32-32-11-16X20	1133399 EAMK-A-R48-48A
★ 1133402 EAMM-A-R48-100A	558020 EAMF-A-48A-100A	558002 EAMD-42-40-19-16X25	1133399 EAMK-A-R-48-48A

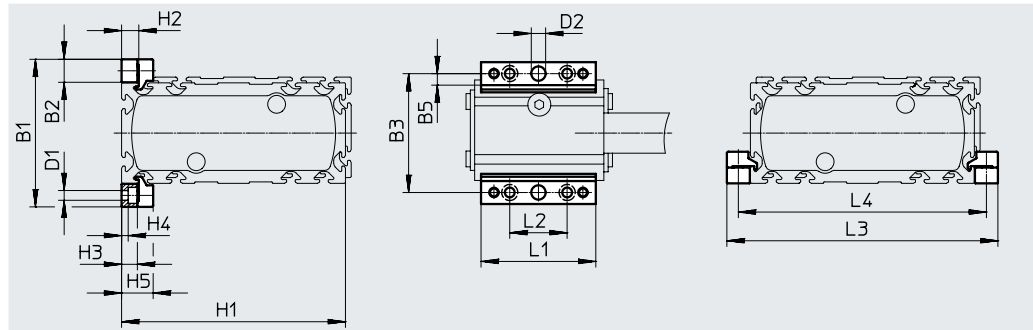
Accessories

Profile mounting MUE (order code MA)

Material:
Anodised aluminium
RoHS-compliant

 **Note**

The central support can also be attached using the profile mounting.



Dimensions and ordering data

For size	B1	B2	B3	B5	D1 ∅	D2 ∅ H7	H1	H2	H3	H4
35	51	8	43	4	3.4	5	78	6	5.5	2.3
45	69	12	57	4	5.5	5	115	10	9	3.2
55	79	12	67	4	5.5	5	135	10	9	3.2

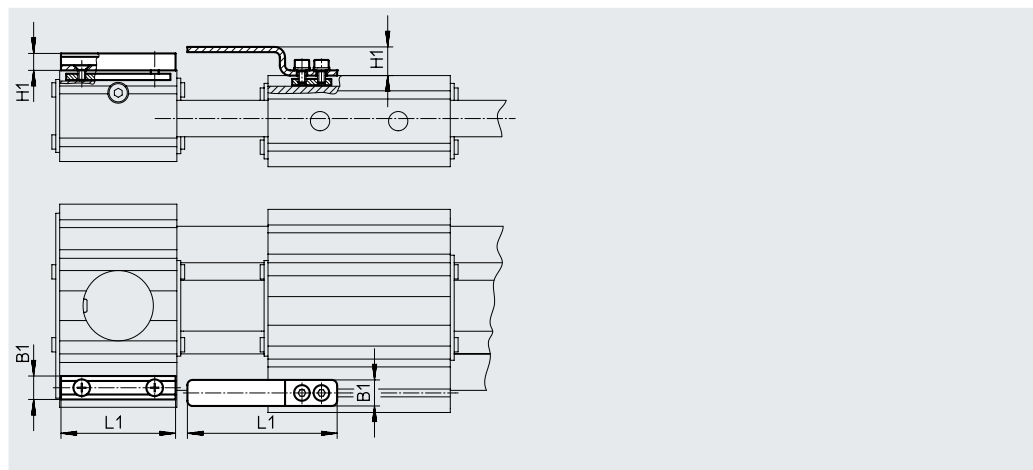
For size	H5	L1	L2	L3	L4	Weight [g]	Part no.	Type
35	11	40	20	94	86	20	558042	MUE-50
45	17.5	52	40	139	127	32	562238	MUE-45
55	17.5	52	40	159	147	32	562238	MUE-45

Sensor bracket EAPM-...-SHS, switch lug EAPM-...-SLS (order code SA/SB)

Material:
Switch lug: galvanised steel
Sensor bracket: anodised wrought
aluminium alloy
RoHS-compliant

 **Note**

The sensor bracket can also be mounted on the central support.

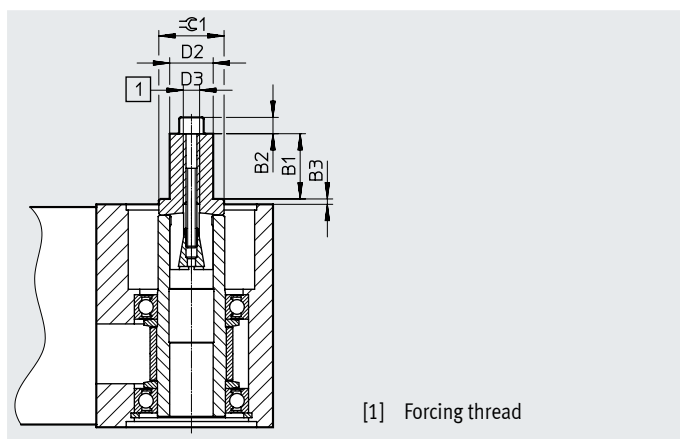
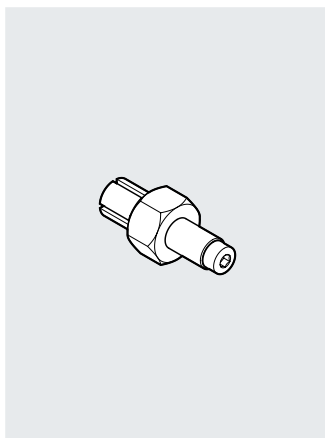


Dimensions and ordering data

For size	B1	H1	L1	Weight [g]	Part no.	Type
Sensor bracket						
35, 45, 55	9	6.5	44	20	567537	EAPM-L4-SHS
Switch lug						
35, 45, 55	10	11	57.5	15	567538	EAPM-L4-SLS

Accessories

Drive shaft EAMB
Alternative interface
(order code EA)



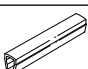


[1] Forcing thread

Dimensions and ordering data

For size	B1	B2	B3	D2 \varnothing	D3	$\overline{C1}$	Weight [g]	Part no.	Type
35	12	3	3.9	8	M4	12	20	558034	EAMB-16-7-8X15-8X10
45	12	4	6	8	M5	15	29	558035	EAMB-18-9-8X16-10X12
55	21	–	1.5	15	M6	21	70	558036	EAMB-24-6-15X21-16X20

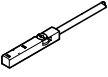
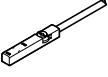


Ordering data

	For size	Comment	Order code	Part no.	Type	PU ¹⁾
Slot nut NST						
	35	For mounting slot	NM	558045	NST-3-M3	1
	45, 55			150914	NST-5-M5	
			–	8047843	NST-5-M5-10	10
				8047878	NST-5-M5-50	50
Centring sleeve ZBH²⁾						
	35, 45, 55	For slide	–	186717	ZBH-7	10
Slot cover ABP						
	45, 55	For mounting slot Each 0.5 m	NC	151681	ABP-5	2

1) Packaging unit

2) 4 centring sleeves included in the scope of delivery of the axis

Accessories

Ordering data – Proximity switches for T-slot, inductive							Data sheets → Internet: sies
	Type of mounting	Electrical connection	Switching output	Cable length [m]	Order code	Part no.	Type
N/O contact							
	Insertable in the slot from above, flush with the cylinder profile	Cable, 3-wire	PNP	7.5	SA	551386	SIES-8M-PS-24V-K-7.5-OE
		Plug M8x1, 3-pin		0.3	–	551387	SIES-8M-PS-24V-K-0.3-M8D
		Cable, 3-wire	NPN	7.5	–	551396	SIES-8M-NS-24V-K-7.5-OE
		Plug M8x1, 3-pin		0.3	–	551397	SIES-8M-NS-24V-K-0.3-M8D
N/C contact							
	Insertable in the slot from above, flush with the cylinder profile	Cable, 3-wire	PNP	7.5	SB	551391	SIES-8M-PO-24V-K-7.5-OE
		Plug M8x1, 3-pin		0.3	–	551392	SIES-8M-PO-24V-K-0.3-M8D
		Cable, 3-wire	NPN	7.5	–	551401	SIES-8M-NO-24V-K-7.5-OE
		Plug M8x1, 3-pin		0.3	–	551402	SIES-8M-NO-24V-K-0.3-M8D
Ordering data – Connecting cables							Data sheets → Internet: nebu
	Electrical connection, left	Electrical connection, right	Cable length [m]	Part no.	Type		
	Straight socket, M8x1, 3-pin	Cable, open end, 3-wire	2.5	541333	NEBU-M8G3-K-2.5-LE3		
			5	541334	NEBU-M8G3-K-5-LE3		
	Angled socket, M8x1, 3-pin	Cable, open end, 3-wire	2.5	541338	NEBU-M8W3-K-2.5-LE3		
			5	541341	NEBU-M8W3-K-5-LE3		