

Linear drives SLG, flat design



Linear drives SLG, flat design

Features

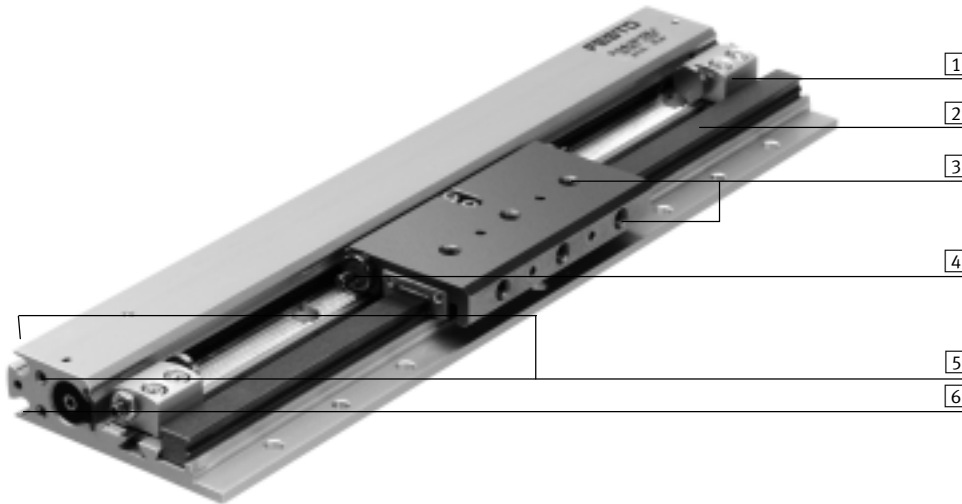
FESTO

General information

- Piston \varnothing 8, 12 and 18
- Stroke lengths of 100 ... 900 mm
- Two cushioning types selectable:
 - Elastic cushioning
 - Shock absorbers
- Direct mounting via centering holes
- Extremely flat design
- Built-in precision guide
- Slide with polished surface
- High load capacity
- Adjustable end stops
- Versatile supply port options
- Suitable for multiple-axis applications with other mini slides

The technology in detail

→ page 5

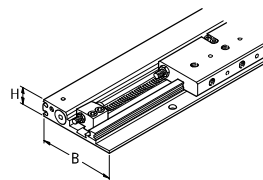


- 1** End stop
Finely-adjustable end stops over entire stroke range
- 2** Guide rail
Highly accurate, rigid precision guide unit: stainless steel roller track pressed into aluminum
- 3** Slide
Interface for attachments. Highly adaptable, thanks to wide choice of mounting and attachment options
- 4** Cushioning
With rubber buffers or with shock absorbers. The cushioning elements are inserted into the slide and fixed.
- 5** Supply port
Possible on three sides
- 6** Slot
for integrateable proximity sensors SME-/SMT-10

Design

The flat linear drive SLG

The height H remains the same even if the intermediate position module is used.



Piston \varnothing	Width (B)	Height (H)
8 mm	53.5	x 15 mm
12 mm	64.5	x 18.5 mm
18 mm	85.5	x 25.5 mm

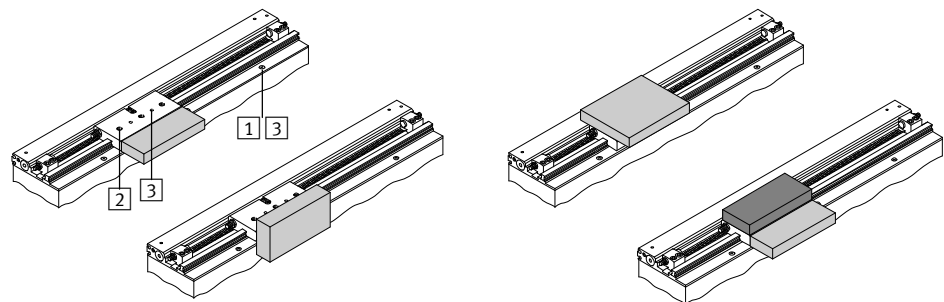
Mounting and assembly options

Drive

- 1** Through-holes
- 3** Locating hole for centering pin ZBS

Slide

- 2** Threaded holes
- 3** Locating hole for centering pin ZBS



Linear drives SLG, flat design

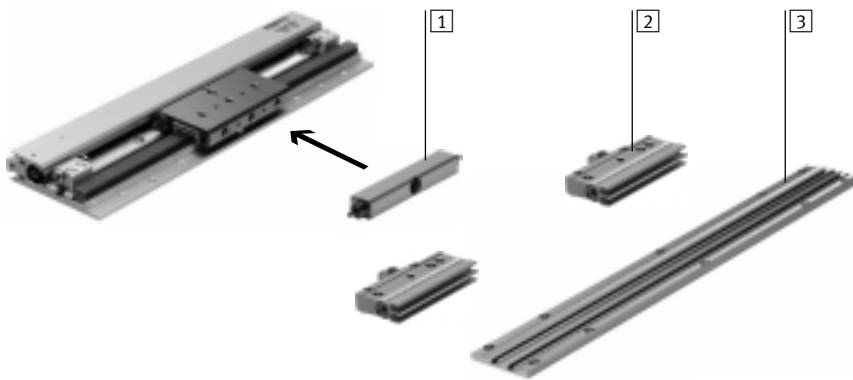
Features

Intermediate positions – simple and inexpensive

→ page 16

- The intermediate position module can be used for advancing to one or more intermediate positions
- It is mounted parallel to the linear drive SLG via an additional mounting rail. This means that it can also be easily retrofitted.
- Fine adjustment of the intermediate position is effected via a stop screw with lock nut
- With two modules the same position can be approached from either direction
- The intermediate positions can be freely selected across the entire stroke range (observe minimum distances)
- The module's symmetry means that it can advance to its right or left once mounted
- It can be activated and sensed before the movement starts
- Integratable proximity switches in the module housing mean that the intermediate position (activated or initial position) can be sensed contactlessly
- Up to 4 modules can be ordered via the SLG modular product system
- The slide must be retracted once the intermediate position is reached. The stop on the module can then swivel back into its initial position


In combination with linear drive SLG



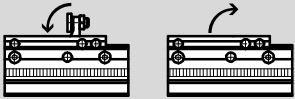
- 1** Shock absorber retainer SLG-D
The retainer accepts rubber buffers or shock absorbers and is attached to the slide of the SLG. The use of shock absorber YSRG (Accessories → page 25) is recommended to ensure accurate positioning of stops and in the case of vertical assembly positions.

- 2** Intermediate position module SLG-Z
The stop with cushioning screw is retracted and extended by means of a 90° swivel motion based on a double-acting rotary drive (rack and pinion principle). The module is fastened to the mounting rail using screws and slot nuts.

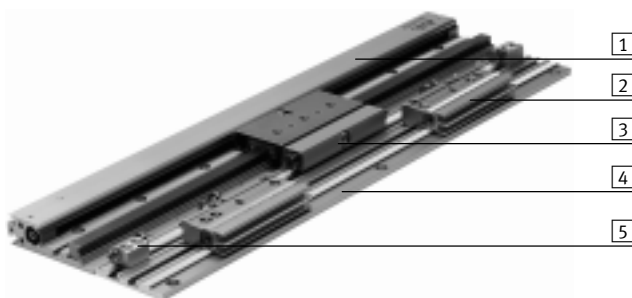
- 3** Mounting rail SLG-S
The rail is used for mounting the intermediate position modules. It can also accept the end stops of the linear drive SLG. The gear teeth on the rail and module permit rough pre-adjustment with respect to the drive part of the SLG.

 Note

The intermediate position module can also be used independently of the linear drive SLG. It is simply mounted on any even surface using mounting screws and locating pins and can then be used universally as an autonomous intermediate position module in numerous applications.



Completely assembled with two intermediate positions



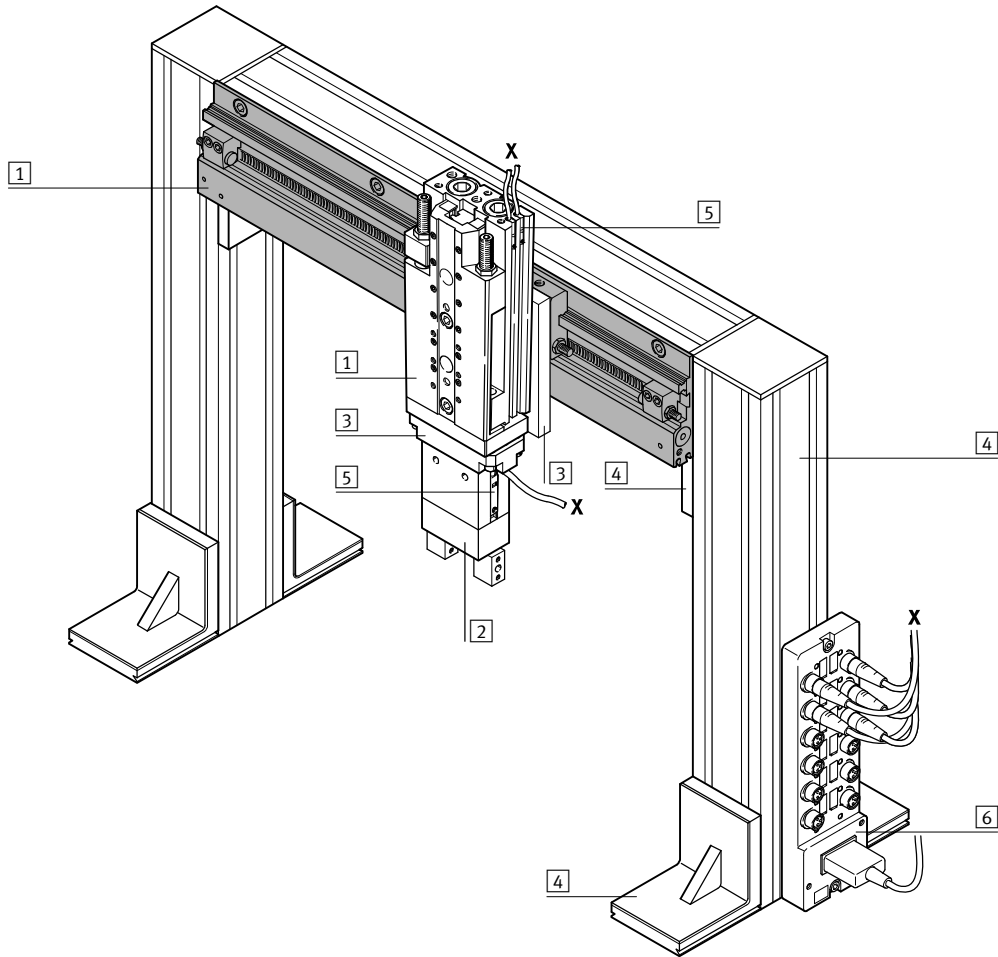
- 1** Linear drive SLG
- 2** Intermediate position module
- 3** Shock absorber retainer
- 4** Mounting rail
- 5** End stop

Linear drives SLG, flat design

Features

FESTO

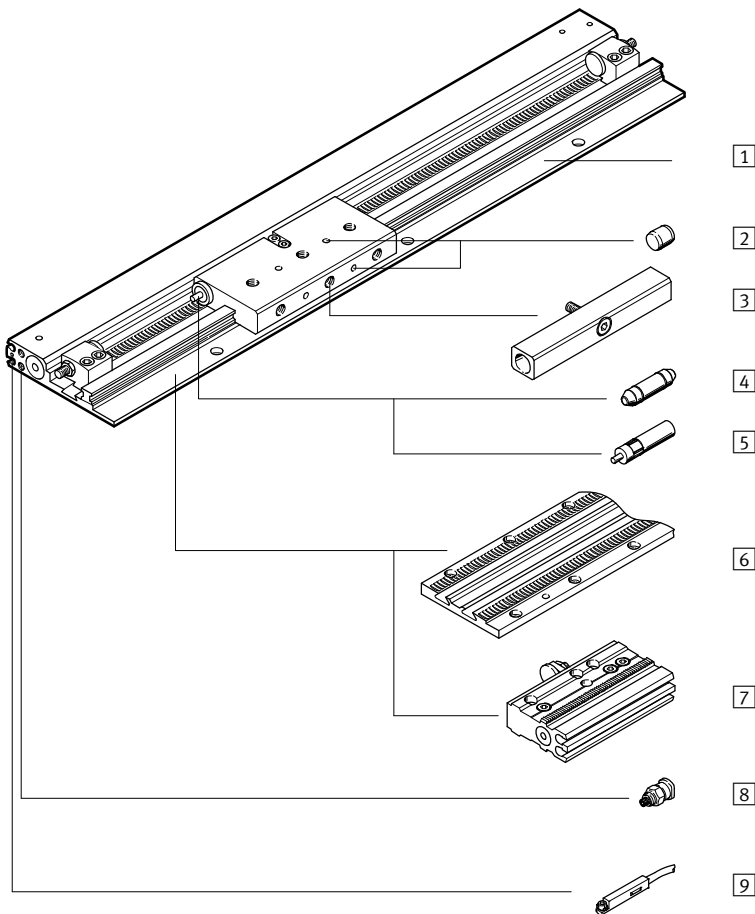
System product for handling and assembly technology



System elements and accessories		
Type	Description	→ Page/Internet
1	Drives	Diverse possible combinations in handling and assembly technology drive
2	Grippers	Diverse variation options in handling and assembly technology gripper
3	Adapters	For drive-drive and drive-gripper connections adapter kit
4	Basic components	Profiles and profile connections basic component
5	Proximity sensors	For position sensing proximity sensor
6	Multi-pin plug distributor	For bundling individual cables to form a multi-pin cable multi-pin plug distributor

Linear drives SLG, flat design

Peripherals overview



Variants and accessories			
	Type/Order code	Description	→ Page/Internet
1	Linear drive SLG	Drive without accessories	7
2	Centering pin ZBS	For centering loads and attachments on the slide	25
3	Shock absorber retainer SLG-D	For fastening the rubber buffers or shock absorbers in combination with the intermediate position	23
4	Rubber buffer SLG	Non-adjustable, elastic cushioning. Used only at low speeds	25
5	Shock absorber YSRG	Self-adjusting hydraulic shock absorber with return spring and linear cushioning characteristic	25
6	Mounting rail SLG-S	For fastening the intermediate position modules and end stops	24
7	Intermediate position module SLG-Z	Fixed stop for the intermediate position	23
8	One-way flow control valve GRLA	The small distance between the supply ports means that only certain one-way flow control valves can be used	26
9	Proximity sensors SME-/SMT-10	The proximity switches are fitted in the profile slot. The switches therefore do not project	26

Linear drives SLG, flat design

Type codes

SLG – 12 – 500 – YSR – A – Z2

Type

SLG	Linear drive
-----	--------------

Piston Ø [mm]

Stroke [mm]

Cushioning

P	Elastic cushioning, non-adjustable
YSR	Linear shock absorber, self-adjusting

Position sensing

A	Position sensing
---	------------------

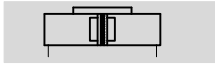
Intermediate position

Z1	1 intermediate position
Z2	2 intermediate positions
Z3	3 intermediate positions
Z4	4 intermediate positions

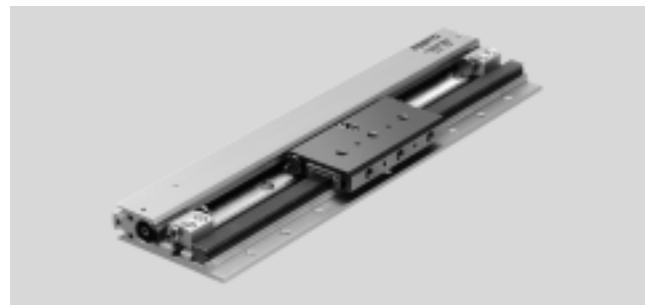
Linear drives SLG, flat design

Technical data

Function



- \varnothing - Diameter
8 ... 18 mm
- | - Stroke length
100 ... 900 mm



General technical data				
Piston \varnothing		8	12	18
Stroke ¹⁾	[mm]	100 ... 500	100 ... 700	100 ... 900
Pneumatic connection		M3		M5
Mode of operation		Double-acting		
Operating medium		Compressed air in accordance with ISO 8573-1:2010 [7:-:-]		
Note on operating/pilot medium		Operation with lubricated medium possible (in which case lubricated operation will always be required)		
Constructional design		Rodless drive		
Cushioning		Flexible cushioning rings/plates at both ends		
→ page 10		Self-adjusting at both ends		
Position sensing		For proximity sensing		
Type of mounting		Direct mounting		
Mounting position		Any		
Driver principle		Slotted cylinder, mechanically coupled		
Guide		Guide rail with slide		
Max. speed	[m/s]	1		1.5

1) Intermediate strokes are infinitely adjustable with stops.

Operating and environmental conditions				
Piston \varnothing		8	12	18
Operating pressure	[bar]	2.5 ... 8	2 ... 8	1 ... 8
Ambient temperature ¹⁾	[°C]	-10 ... +60		

1) Note operating range of proximity switches.

Forces [N]				
Piston \varnothing		8	12	18
Theoretical force at 6 bar		30	68	153

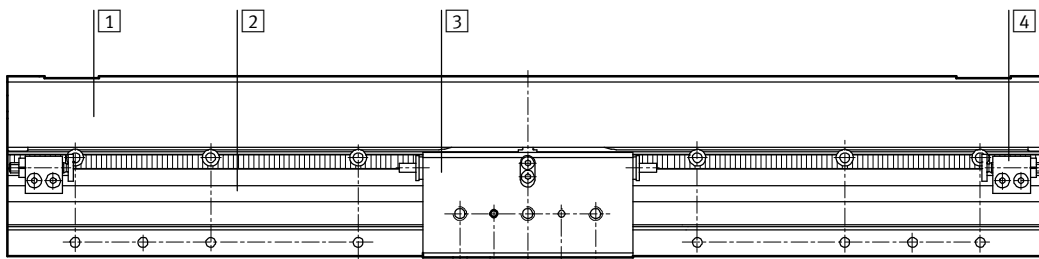
Linear drives SLG, flat design

Technical data

Weights [g]			
Piston \varnothing	8	12	18
Basic weight per 0 mm stroke with P cushioning	215	410	965
Basic weight per 0 mm stroke with YSR cushioning	225	420	995
Additional weight per 10mm stroke	11.5	17.5	29.5
Moving load with P cushioning	80	160	440
Moving load with YSR cushioning	90	170	470

Materials

Sectional view



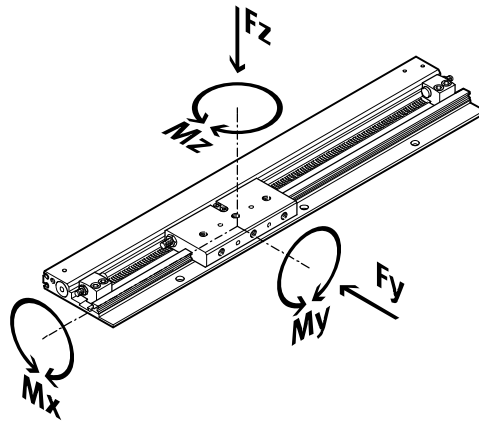
Linear drives	
1	Profile barrel Anodized aluminum
2	Guide High-alloy steel
3	Slide High-alloy steel
4	Stop sleeve Anodized aluminum
-	Seals Polyurethane
Material note Free of copper and PTFE	

Linear drives SLG, flat design

Technical data

Characteristic load values

The forces and torques specified refer to the centre of the guide rail.




If the drive is subjected to several of the indicated forces and torques simultaneously, the following equations must be satisfied in addition to the indicated maximum loads:

$$\frac{F_y}{F_{y_{max}}} + \frac{F_z}{F_{z_{max}}} + \frac{M_x}{M_{x_{max}}} + \frac{M_y}{M_{y_{max}}} + \frac{M_z}{M_{z_{max}}} \leq 1$$

Permissible forces [N] and torques [Nm]				
Piston \varnothing		8	12	18
$F_{y_{max}}$	[N]	255	565	930
$F_{z_{max}}$	[N]	255	565	930
$M_{x_{max}}$	[Nm]	1	3	7
$M_{y_{max}}$	[Nm]	3.5	9	23
$M_{z_{max}}$	[Nm]	3.5	9	23

Torsional backlash [°] at the respective torques				
Piston \varnothing		8	12	18
at $M_{x_{max}}$		±0.03	±0.04	±0.05
at $M_{y_{max}}$		±0.005	±0.007	±0.007
at $M_{z_{max}}$		±0.005	±0.007	±0.007

-  - Note
Sizing software
ProDrive
→ www.festo.com

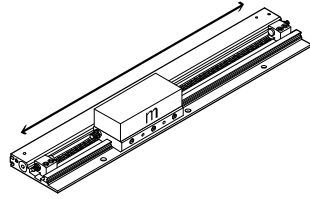
Linear drives SLG, flat design

Technical data

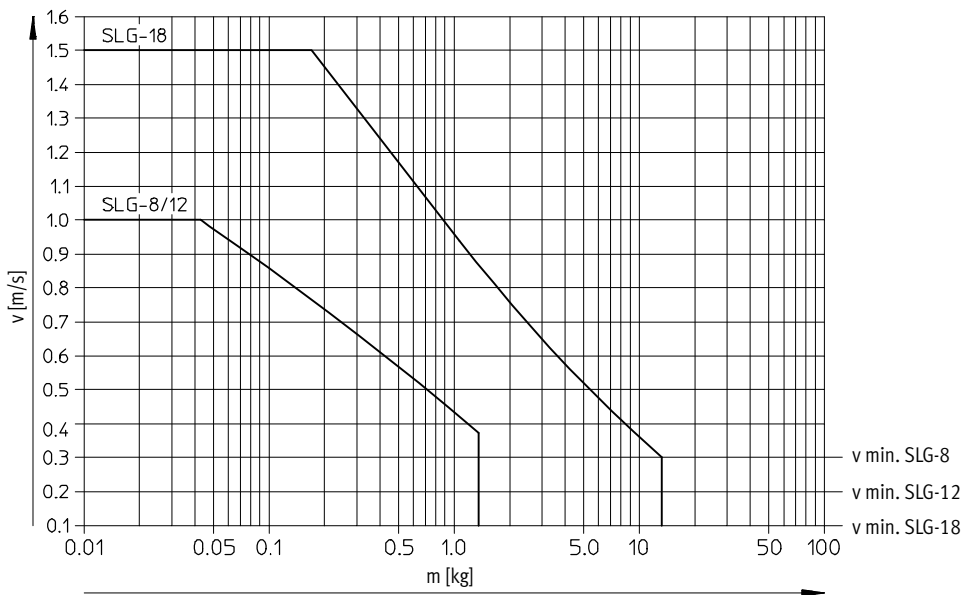
Maximum permissible piston speed v as a function of useful load m when the unit is operated horizontally

As a function of operating pressure and end-position cushioning system

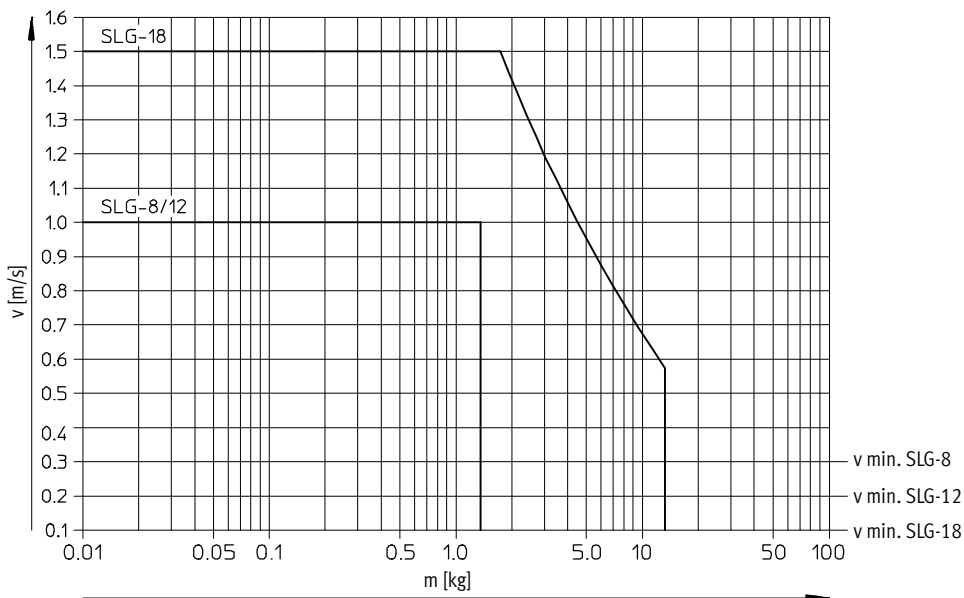
A linear drive SLG with YSR cushioning (YSRG shock absorbers) must be used in applications requiring very high repetition accuracy.



Cushioning P



YSR cushioning



Linear drives SLG, flat design

Technical data

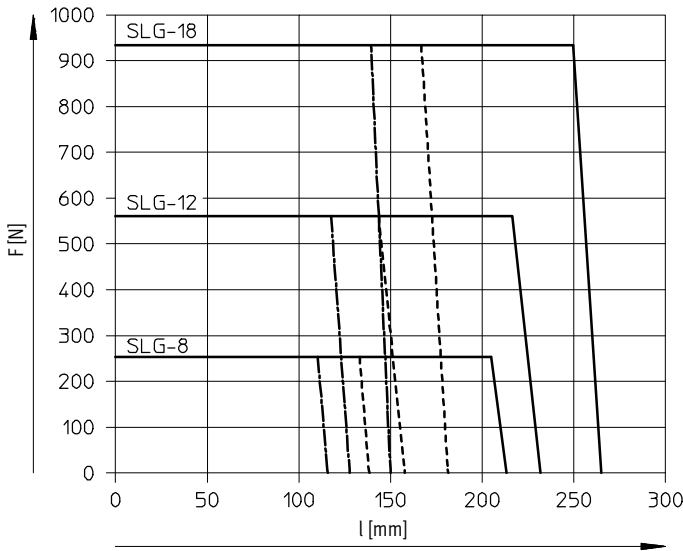
Determination of required points of support as a function of applied load F



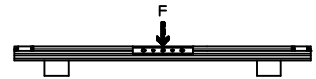
Note

The support spacings L must be laid out in such a way that the mounting profile for the intermediate position module will exhibit less deflection than the drive itself.

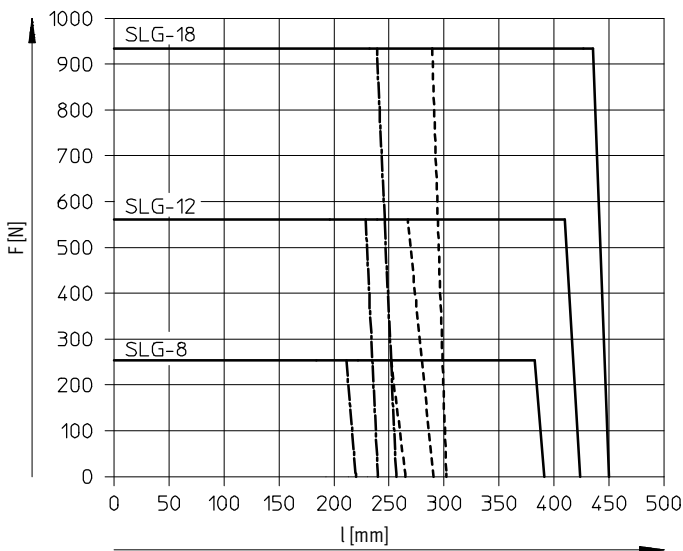
Deflection around the X axis



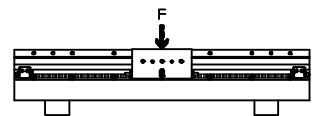
— f = 0.5 mm
 - - - f = 0.1 mm
 - · - f = 0.05 mm



Deflection around the Y axis



— f = 0.5 mm
 - - - f = 0.1 mm
 - · - f = 0.05 mm



Flatness of the bearing surface

Contact surfaces which support the linear drive SLG should be no farther than 100 mm apart, or over its entire length and should be flat to within at

least 0.1 mm. The support surface for the load on the slide should be flat to within at least 0.05 mm.

Linear drives SLG, flat design

Technical data

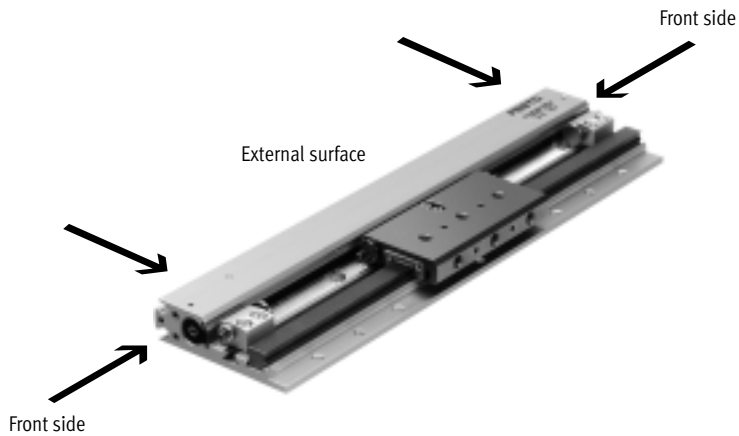


Minimum clearances for linear drives SLG to ferrite materials for reliable proximity switch functioning				
	Slot 1	Slot 2	Minimum clearances in mm	
			x	y
	SLG-8	1	5	–
		2	5	–
	SLG-12	1	6	–
		2	5	–
	SLG-18	1	5	–
		2	5	–
	SLG-8	1	5	–
		2	10	–
	SLG-12	1	5	–
		2	6	–
	SLG-18	1	5	–
		2	5	–
	SLG-8	1	7	–
		2	10	–
	SLG-12	1	10	–
		2	10	–
	SLG-18	1	5	–
		2	5	–
	SLG-8	1	14	–
		2	12	–
	SLG-12	1	16	–
		2	1	–
	SLG-18	1	2	–
		2	2	–
	SLG-8	1	7	–
		2	17	–
	SLG-12	1	1	–
		2	17	–
	SLG-18	1	1	–
		2	12	–
	SLG-8	1	11	17
		2	15	17
	SLG-12	1	7	16
		2	10	16
	SLG-18	1	5	12
		2	5	12

Linear drives SLG, flat design

Technical data

Permissible spanner widths for the compressed air connectors



In general

The following spanner widths can be used on the external surface and front side:

SLG-8: $\approx 5.5 \dots 8$

SLG-12: $\approx 5.5 \dots 8$

SLG-18: $\approx 8 \dots 10$

Restrictions on the front sides

The threaded connectors protrude from the top or bottom of the profile with compressed air connections at both ends. The connector threads are too close to one another for the threaded fittings with compressed air connections at one end only.

For this reason, the following spanner widths can only be used in certain conditions:

SLG-8: ≈ 8

SLG-12: ≈ 8

SLG-18: ≈ 10

Linear drives SLG, flat design

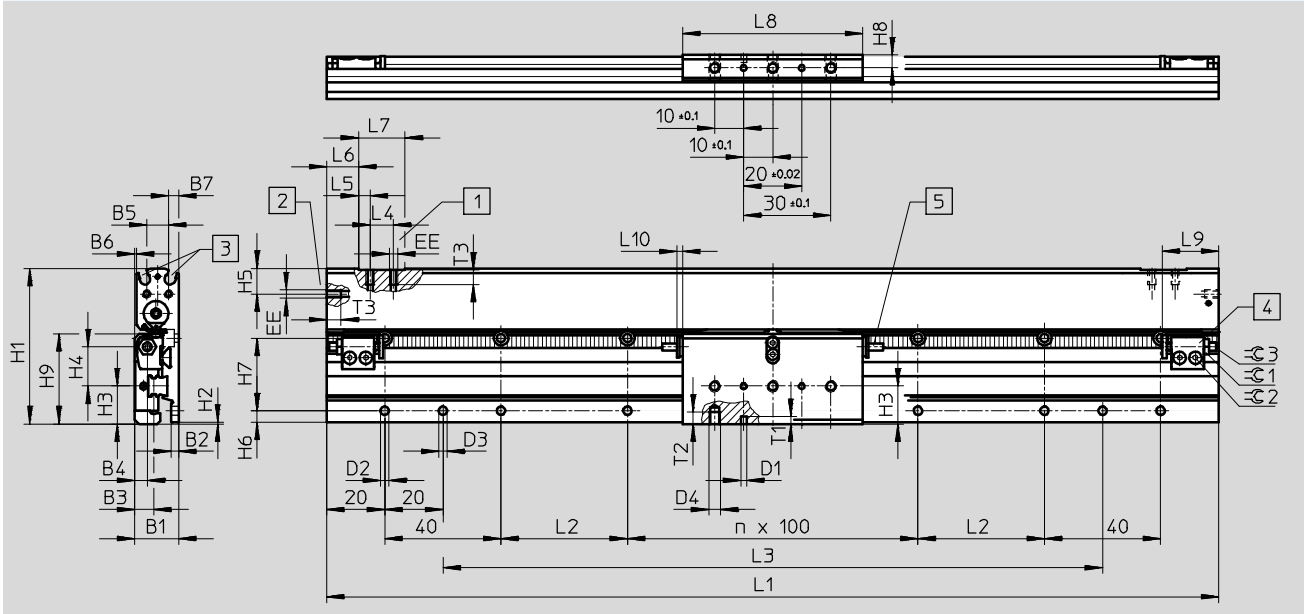
Technical data



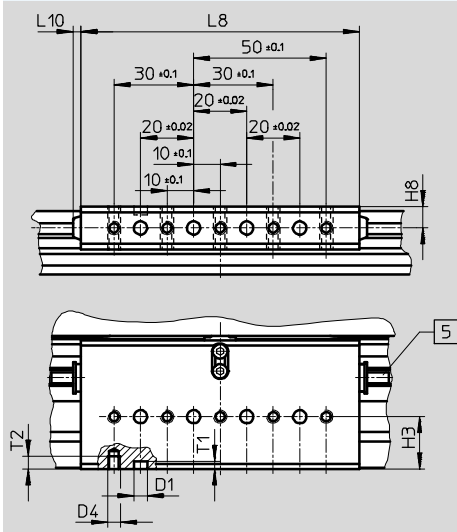
Dimensions

SLG-8/-12/-18

Download CAD data → www.festo.com



Slide SLG-18



- 1 Supply port, external surface
- 2 Supply port, front side
- 3 Slot for proximity sensor
SME-/SMT-10
- 4 Stop
- 5 Shock absorber YSR or rubber
buffer (P cushioning)

Linear drives SLG, flat design

Technical data

	B1	B2	B3	B4	B5	B6	B7	D1 ¹⁾ ∅ H7	D2 ∅	D3 ¹⁾ ∅ H7	D4	EE	H1	H2	H3	H4	H5	H6	H7
SLG-8	15	2.5	6.6	4.4	7.5	0.65	3.5	2	3.4	3	M4	M3	53.5	0.5	13	13.6	8.8	3.9	25
SLG-12	18.5	2.6	7.9	5.2	8.5	0.5	4.75	2	3.4	3	M4	M3	64.5	0.5	15.9	16.5	9.5	4.3	30
SLG-18	25.5	3.5	13.3	8	13.2	1.6	5.4	5	4.5	5	M5	M5	85.5	0.5	19.8	21.7	11.5	4.1	40

	H8	H9	n	L1	L2	L3	L4	L5	L6	L7	L8	L9 min.	L10	T1	T2 min.	T3	≈C1	≈C2	≈C3
SLG-8-100	4.4	31	0	207	43.5	127	10	5	10	20	62	20	2	2.5	4	4.5	5.5	1.5	1.5
SLG-8-200			1	307		227													
SLG-8-300			2	407		327													
SLG-8-400			3	507		427													
SLG-8-500			4	607		527													
SLG-12-100	5.25	36.7	0	233	56.5	153	10	5	10	20	80	23.5	2	2.5	4	4.5	7	2	2
SLG-12-200			1	333		253													
SLG-12-300			2	433		353													
SLG-12-400			3	533		453													
SLG-12-500			4	633		553													
SLG-12-600			5	733		653													
SLG-12-700			6	833		753													
SLG-18-100	8	48.5	0	271	75.5	191	12	6	13	24	105	29	3	3	5	6	8	2.5	2.5
SLG-18-200			1	371		291													
SLG-18-300			2	471		391													
SLG-18-400			3	571		491													
SLG-18-500			4	671		591													
SLG-18-600			5	771		691													
SLG-18-700			6	871		791													
SLG-18-800			7	971		891													
SLG-18-900			8	1071		991													

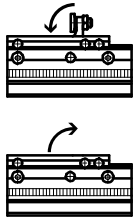
1) Locating hole for ZBS centering pins

Linear drives SLG, flat design

Technical data – Intermediate position module SLG-Z

FESTO

Function



General technical data				
Piston Ø		8	12	18
Pneumatic connection		M3		
Mode of operation		Double-acting		
Operating medium		Compressed air in accordance with ISO 8573-1:2010 [7:-:-]		
Note on operating/pilot medium		Operation with lubricated medium possible (in which case lubricated operation will always be required)		
Constructional design		Stop in the form of a semi-rotary device in accordance with the rack and pinion principle		
Fine adjustment of the intermediate position	[mm]	1.7		
Cushioning ¹⁾		→ page 10		
Position sensing		For proximity sensor		
Type of mounting		Direct mounting		
Assembly position ²⁾		Any		
Min. swivel time at 6 bar	[ms]	30		50
Max. frequency at 6 bar	[1/s]	16		10
Max. permissible impact velocity	[m/s]	1		1.5
Max. perm. end-stop impact force ³⁾	[N]	320		600

- 1) The end position of the slide or another drive is not exactly defined when rubber buffers are used. Shock absorbers YSRG-... must be used for high repetition accuracy.
- 2) Shock absorbers YSRG-... must be used for high repetition accuracy as well as in non-horizontal movements.
With vertical installation (where the stop moves upwards), it must be ensured that no foreign objects enter the swivel range of the stop.
- 3) The max. stop force must act on the centre of the cushioning screw disk. Lateral forces on the cushioning screw are not permissible.

Operating and environmental conditions				
Piston Ø		8	12	18
Operating pressure	[bar]	1 ... 8		
Ambient temperature ¹⁾	[°C]	-10 ... +60		

Max. permissible energy in the intermediate position				
Piston Ø		8	12	18
With P cushioning	[Nm]	0.1		0.6
With YSR cushioning	[Nm]	1		3

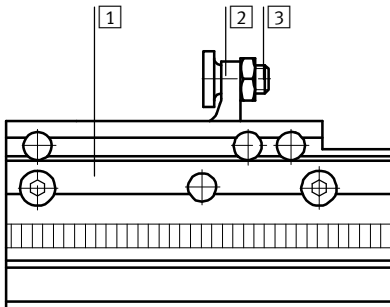
Linear drives SLG, flat design

Technical data – Intermediate position module SLG-Z

Weights [g]			
Piston \varnothing	8	12	18
Basic weight	33.5		75
Moving load	6		14.5


Materials

Sectional view



Intermediate position module	
1 Housing	Hard anodized aluminum
2 Stop	Nickel plated steel
3 Cushioning screw	High-alloy steel
- Seals	Polyurethane

Mounting options on linear drive				
Piston \varnothing		8	12	18
Through-holes for direct mounting with screws to DIN 912	Intermediate position module	M2.5		M3
	Shock absorber retainer	M4		M5
	Mounting rail	M3		M4
Centering pins	Intermediate position module	\varnothing 4H7		\varnothing 5H7
	Shock absorber retainer	\varnothing 2H7		\varnothing 5H7
	Mounting rail	\varnothing 3H7		\varnothing 5H7

-  - Note

The module's symmetric design makes it suitable for both approach directions.

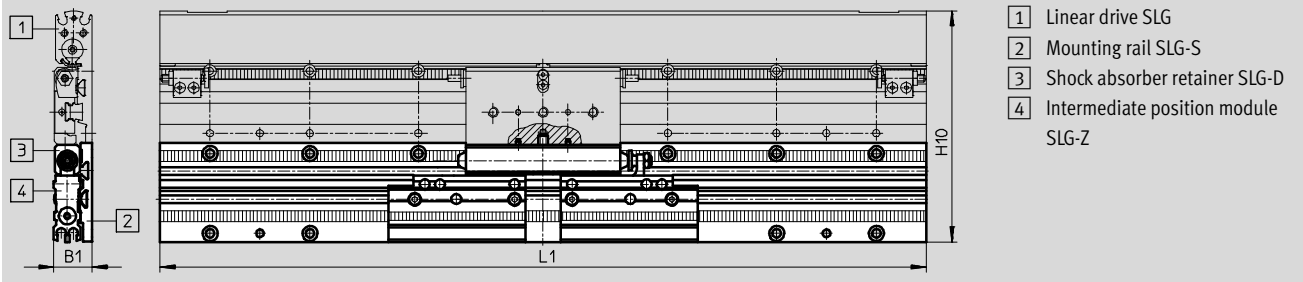
Linear drives SLG, flat design

Technical data – Intermediate position module SLG-Z

Dimensions

SLG-Z-.../SLG-D-.../SLG-S-...

Download CAD data → www.festo.com



Type	B1	H10	L1
SLG-8-100	15	93.1	207
SLG-8-200			307
SLG-8-300			407
SLG-8-400			507
SLG-8-500			607
SLG-12-100	18.5	104.1	233
SLG-12-200			333
SLG-12-300			433
SLG-12-400			533
SLG-12-500			633
SLG-12-600			733
SLG-12-700	25.5	135.5	833
SLG-18-100			271
SLG-18-200			371
SLG-18-300			471
SLG-18-400			571
SLG-18-500			671
SLG-18-600			771
SLG-18-700			871
SLG-18-800			971
SLG-18-900	1071		

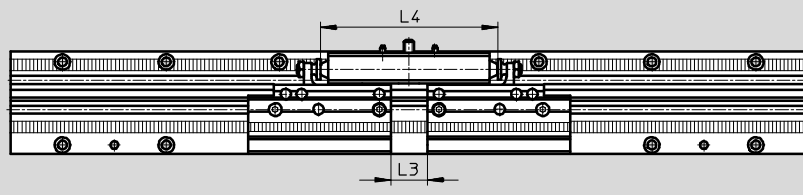
Linear drives SLG, flat design

Technical data – Intermediate position module SLG-Z

Dimensions

Download CAD data → www.festo.com

The same position approached from two directions

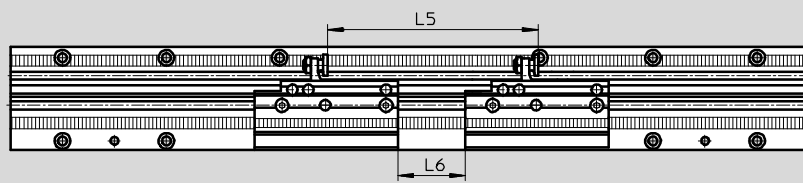


Piston \varnothing	L3 ¹⁾		L4
	min.	max.	
8 ²⁾	21	27	68
12	39	45	86
18	50	56.5	111

1) Depends on the fine adjustment

2) Due to the narrowness of the space L3 only the following threaded connectors can be used for the compressed air connections:
30 491 LCN-M3-PK-2-B

Two positions approached from the same direction



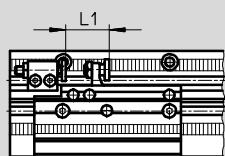
-  - Note

The space for 2 intermediate positions can be reduced to 0 mm by turning the second module by 90° in the same plane (→ page 21).

Piston \varnothing	L5 min.	L6 ³⁾
8	90	32
12	90	
18	97	

3) The space between the modules is such that the following threaded connectors can be used for the compressed air connections:
153 330 QSML-M3-3
153 332 QSML-M3-4
30 491 LCN-M3-PK-2-B
30 984 LCN-M3-PK-2

Space between end stop and intermediate position module



Piston \varnothing	L1 min.
8	20
12	
18	

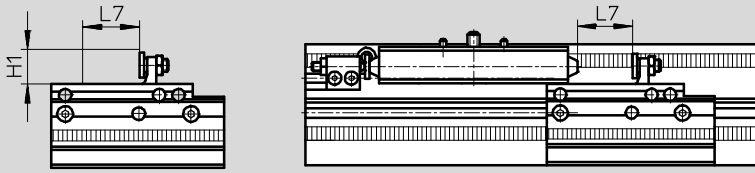
Linear drives SLG, flat design

Technical data – Intermediate position module SLG-Z

Dimensions

Download CAD data → www.festo.com

In different mounting planes



-  - Note

Care must be taken to ensure that each intermediate position module has sufficient space for the swivel movement in the specified range (both outwards and inwards) while it is swivelling. This corresponds to the distance (stroke) that the shock absorber retainer must travel from the intermediate position to ensure safe inward or outward swivelling of the stop (→ page 21).

Piston Ø	H1	L7	
		Cushioning P	YSR cushioning
8	11	18	23
12	11	18	23
18	16	23	31

Maximum number of intermediate position modules on one mounting rail

The number of intermediate position modules that can be ordered via the linear drive SLG modular product system is restricted to max. 4.

If additional intermediate positions are required, further modules can be ordered separately (→ page 23) and fitted in another mounting plane.

Piston Ø	Stroke length of the mounting rail [mm]								
	100	200	300	400	500	600	700	800	900
8	2		3	4		–	–	–	–
12						4		–	–
18								4	

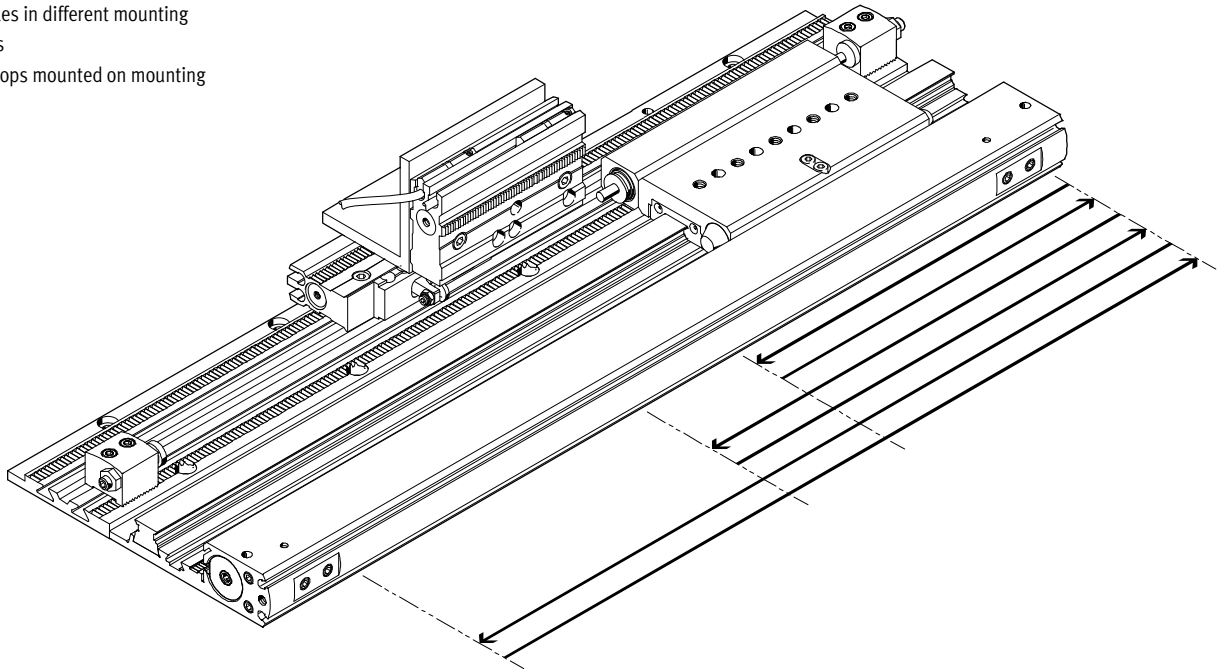
Linear drives SLG, flat design

Technical data – Intermediate position module SLG-Z

FESTO

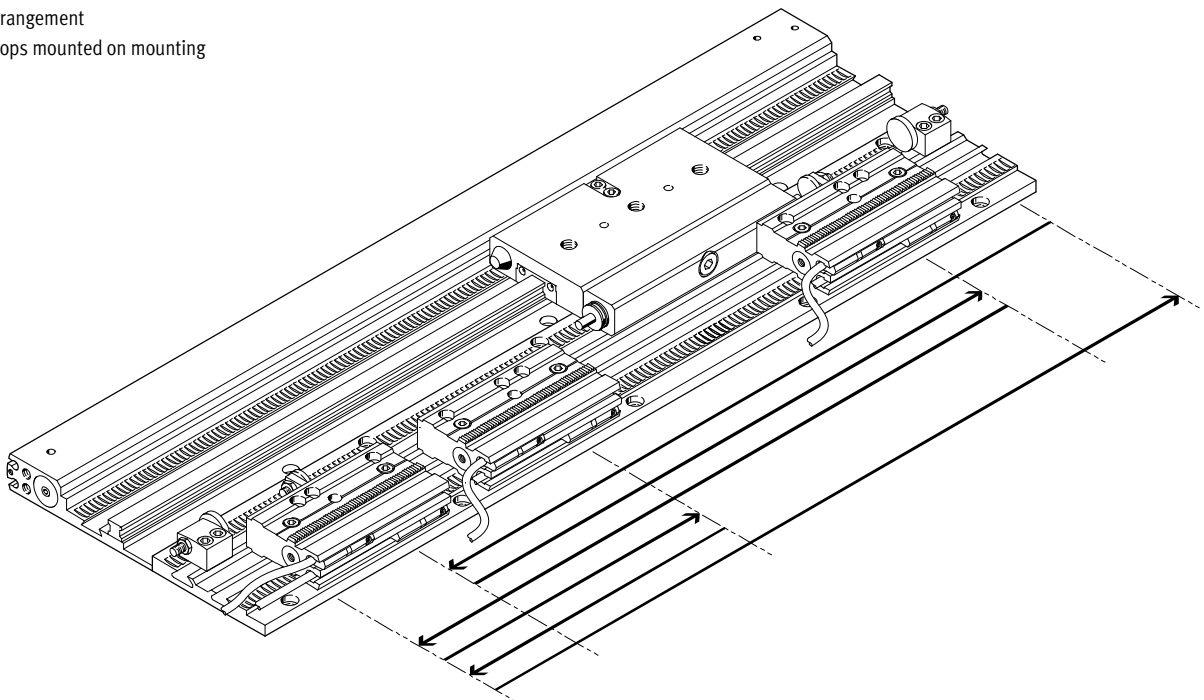
Linear drive SLG with 2 intermediate positions

- Modules in different mounting planes
- End stops mounted on mounting rail



Linear drive SLG with 3 intermediate positions

- Flat arrangement
- End stops mounted on mounting rail



Linear drives SLG, flat design

Ordering data – Modular product system



Ordering table						
Size	8	12	18	Condi- tions	Code	Enter code
M Module No.	187857	187855	187853			
Drive function	Rodless linear drive unit				SLG	SLG
Size [mm]	8	12	18		-...	
Stroke [mm]	100	100	100	1	-100	
	200	200	200	1	-200	
	300	300	300	2	-300	
	400	400	400		-400	
	500	500	500		-500	
	-	600	600		-600	
	-	700	700		-700	
	-	-	800		-800	
-	-	900		-900		
Cushioning	Flexible cushioning rings in the end positions				-P	
	Shock absorbers in the end positions				-YSR	
Position sensing	For proximity sensing				-A	-A
O Intermediate position	1 intermediate position				-Z1	
	2 intermediate positions				-Z2	
	3 intermediate positions				-Z3	
	4 intermediate positions				-Z4	

- 1** 100, 200 Max. 2 intermediate positions.
- 2** 300 Max. 3 intermediate positions.

- M** Mandatory data
- O** Options

Transfer order code

SLG - - - - **A** -

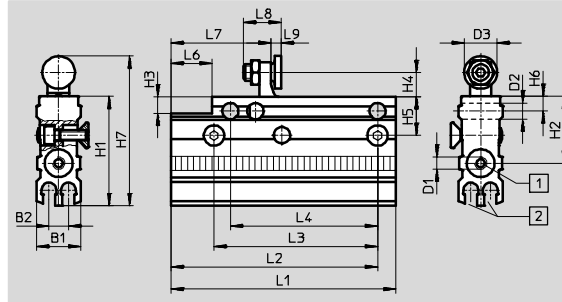
Linear drives SLG, flat design

Accessories



Intermediate position module SLG-Z

Technical data → page 16



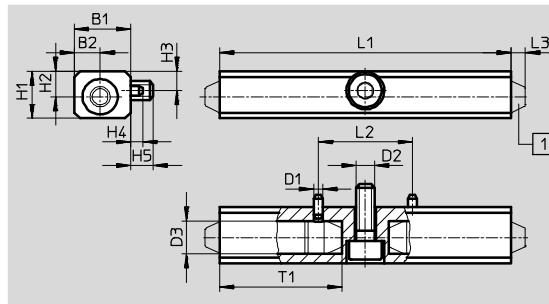
- 1 Air connections on both sides
- 2 Slot for proximity sensor SME-/SMT-10

Dimensions and ordering data													
For \varnothing	B1	B2	D1	D2 \varnothing H7	D3 \varnothing	H1	H2	H3	H4	H5	H6	H7	L1
8, 12	10.8	4.8	M3	4	8	26.6	16.2	4	6	9.5	3.5	36.6	55 +0.3
18	15.6	4.8	M3	5	10	29.6	19.2	-	9.6	11.5	4.3	44.2	62

For \varnothing	L2	L3	L4	L6	L7	L8	L9		Weights [g]	Part No.	Type
							min.	max.			
8, 12	± 0.1	± 0.1	± 0.02								
8, 12	50.5	40	36	10	24.4	9.25	2.5	4.2	39.5	525680	SLG-Z-8/12-A
18	57.5	50	50	-	21.6	12	3.7	5.4	89.5	525681	SLG-Z-18-A

Shock absorber retainer SLG-D

Material: Hard anodized aluminum



- 1 Rubber buffer or shock absorber

Dimensions and ordering data								
For \varnothing	B1	B2	D1 \varnothing H7/h8	D2	D3 \varnothing	H1	H2	H3
8	11.5	5	2	M4	7.5 _{+0.05}	10	5.4	4.1
12								
18	17	8	5	M5	10 _{+0.02}	15	7.5	7.75

For \varnothing	H4	H5	L1	L2	L3	T1	Weights	Part No.	Type
							[g]		
8	2.25	4.8	62	20	3	26	17/27.5 ²⁾	525703	SLG-D-8 ¹⁾
12			80				22.5/33 ²⁾		
18			105				60/104 ²⁾		

1) Shock absorber elements are not included in the scope of delivery
 2) With P cushioning/with YSR cushioning

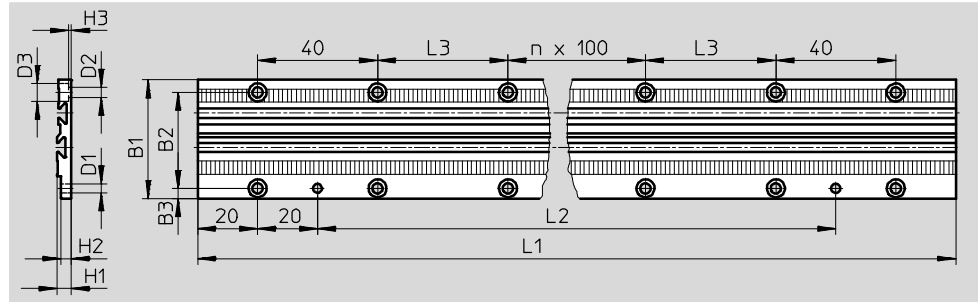
Linear drives SLG, flat design

Accessories



Mounting rail SLG-S

Material: Hard anodized aluminum



Dimensions and ordering data																		
For Ø	Stroke	B1	B2	B3	D1	D2	D3	H1	H2	H3	n	L1	L2	L3	Weights	Part No.	Type	
	[mm]				Ø	Ø	Ø								[g]			
8	100	39.6	32	3.4	3	3.4	6	4.8	3.5	0.9	0	207	127	43.5	73.5	525682	SLG-S-8-100	
	1										307	227	109		525683	SLG-S-8-200		
	2										407	327	144.5		525684	SLG-S-8-300		
	3										507	427	180		525685	SLG-S-8-400		
	4										607	527	215.5		525686	SLG-S-8-500		
12	100	39.6	32	3.5	3	3.4	6	7.2	1.9	1.9	0	233	153	56.5	110.4	525687	SLG-S-12-100	
	1										333	253	157.8		525688	SLG-S-12-200		
	2										433	353	205.2		525689	SLG-S-12-300		
	3										533	453	252.6		525690	SLG-S-12-400		
	4										633	553	300		525691	SLG-S-12-500		
	5										733	653	347.4		525692	SLG-S-12-600		
	6										833	753	394.8		525693	SLG-S-12-700		
18	100	50	40	4.75	5	4.5	7.5	10.3	9	2.5	0	271	191	75.5	245.6	525694	SLG-S-18-100	
	1										371	291	336.2		525695	SLG-S-18-200		
	2										471	391	426.8		525696	SLG-S-18-300		
	3										571	491	517.4		525697	SLG-S-18-400		
	4										671	591	608		525698	SLG-S-18-500		
	5										771	691	698.6		525699	SLG-S-18-600		
	6										871	791	789.2		525700	SLG-S-18-700		
	7										971	891	879.8		525701	SLG-S-18-800		
	8										1071	991	970.4		525702	SLG-S-18-900		

Linear drives SLG, flat design

Accessories

Rubber buffer SLG



Ordering data			
For Ø	Weights [g]	Part No.	Type
8, 12	1.5	379802	SLG-8/12
18	6	381219	SLG-18

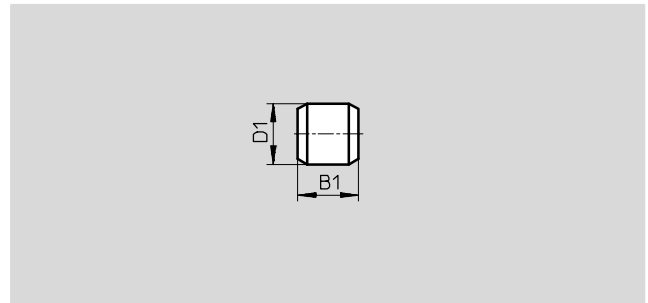
Shock absorber YSRG



Ordering data			
For Ø	Weights [g]	Part No.	Type
8, 12	7	381042	YSRG-5-5-C
18	27	384581	YSRG-8-8-C

Centering pin ZBS

Material:
Stainless steel



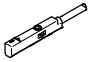
Dimensions and ordering data						
For Ø	B1	D1	Weights	Part No.	Type	PE ¹⁾
[mm]	-0.2	Ø h8	[g]			
8, 12	5	2	1	525273	ZBS-2	10
18	5	5	1	150928	ZBS-5	10

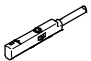
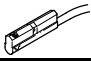
1) Packaging unit quantity

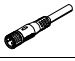

Linear drives SLG, flat design

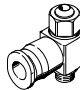
Accessories

FESTO

Ordering data – Proximity sensors for C-slot, magneto-resistive						Technical data → Internet: smt
	Type of mounting	Switch output	Electrical connection, connection direction	Cable length [m]	Part No.	Type
N/O contact						
	Insertable in the slot from above	PNP	Cable, 3-wire, in-line	2.5	551373	SMT-10M-PS-24V-E-2,5-L-OE
			Plug M8x1, 3-pin, in-line	0.3	551375	SMT-10M-PS-24V-E-0,3-L-M8D
			Plug M8x1, 3-pin, lateral	0.3	551376	SMT-10M-PS-24V-E-0,3-Q-M8D

Ordering data – Proximity sensors for C-slot, magnetic reed						Technical data → Internet: sme
	Type of mounting	Switch output	Electrical connection, connection direction	Cable length [m]	Part No.	Type
N/O contact						
	Insertable in the slot from above	Contacting	Plug M8x1, 3-pin, in-line	0.3	551367	SME-10M-DS-24V-E-0,3-L-M8D
			Cable, 3-wire, in-line	2.5	551365	SME-10M-DS-24V-E-2,5-L-OE
			Cable, 2-wire, in-line	2.5	551369	SME-10M-ZS-24V-E-2,5-L-OE
	Insertable in the slot lengthwise	Contacting	Plug M8x1, 3-pin, in-line	0.3	173212	SME-10-SL-LED-24
			Cable, 3-wire, in-line	2.5	173210	SME-10-KL-LED-24

Ordering data – Connecting cables					Technical data → Internet: nebu
	Electrical connection, left	Electrical connection, right	Cable length [m]	Part No.	Type
	Straight socket, M8x1, 3-pin	Cable, open end, 3-wire	2.5	541333	NEBU-M8G3-K-2.5-LE3
			5	541334	NEBU-M8G3-K-5-LE3
	Angled socket, M8x1, 3-pin	Cable, open end, 3-wire	2.5	541338	NEBU-M8W3-K-2.5-LE3
			5	541341	NEBU-M8W3-K-5-LE3

Ordering data – One-way flow control valves				Technical data → Internet: grla	
	Connection		Material	Part No.	Type
	Thread	For tubing OD			
	M3	3	Metal design	175041	GRLA-M3-QS-3
	M5	4		193138	GRLA-M5-QS-4-D