

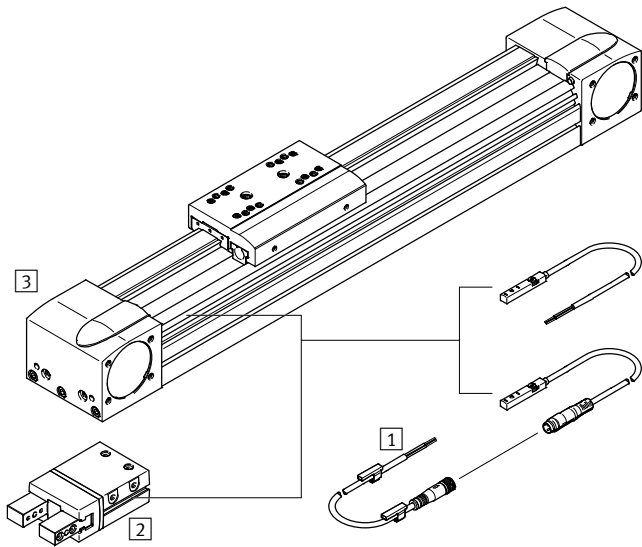
Proximity sensors SIES-8M, inductive for T-slot



Proximity sensors SIES-8M, inductive for T-slot

Peripherals overview and type codes

Peripherals overview



Mounting attachments and accessories		→ Page/Internet
1	Connecting cable NEBU-M8...3	6
2	Gripper with T-slot e.g. parallel gripper DHPS	gripper
3	Electric axis EGC	egc

Type codes

SIE S - 8M - P S - 24V - K - 2,5 - M8D

Type	
SIE	Proximity sensor, inductive

Design	
S	Special design

Design	
8M	For T-slot

Switching output	
P	PNP
N	NPN

Switching element function	
S	N/O contact
O	N/C contact

Rated operating voltage	
24V	24 VDC

Cable attributes	
K	Standard + energy chain

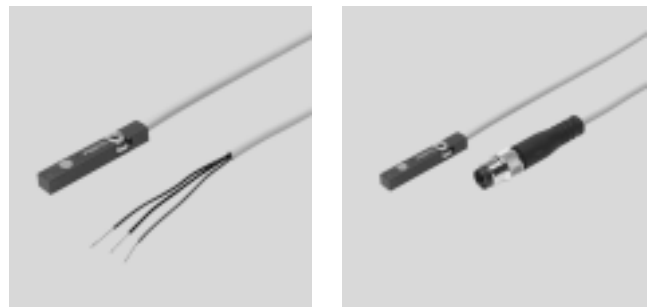
Cable length	
0,3	0.3 m
2,5	2.5 m
5,0	5.0 m
7,5	7.5 m
10	10 m

Electrical connection	
OE	Cable, 3-wire, open end
M8D	Cable with plug M8x1, 3-pin, knurled ring

Proximity sensors SIES-8M, inductive for T-slot

Technical data

- Inductive proximity sensor for T-slot, insertable from above
- Suitable for position sensing for electric axes EGC and grippers with T-slot
- 2 LEDs for better visibility, regardless of the side from which the axis approaches the sensor



General technical data	
Type of mounting	Screw-clamped in slot, insertable from above, flush with T-slot
Connection direction	In-line
Conforms to	EN 60947-5-2
Cable attributes	Standard + energy chain
Cable test conditions	Energy chain: 5 million cycles, bending radius 75 mm Resistance to bending: to Festo standard; test conditions on request
Degree of contamination	3

Electrical data	
Switching output	PNP NPN
Switching element function	N/C contact N/O contact
Max. switching frequency [Hz]	4500
Switching status display	Yellow LED
Electrical connection	Cable, 3-wire Cable with plug, M8x1, knurled ring, 3-pin
Operating voltage range DC [V]	10 ... 30
Insulation voltage [V]	50
Max. output current [mA]	150
Surge capacity [kV]	0.8
Idle current [mA]	≤ 10
Protection against short circuit	Pulsed
Protection against polarity reversal	For all electrical connections
Protection class	IP65 IP67

Sensors	
Rated operating distance S_n [mm]	1.5
Repetition accuracy under constant conditions [mm]	≤ 0.05 lateral connection ≤ 0.02 axial connection
Reduction factors	Aluminium = 0.62 Stainless steel V2A = 0.95 Copper = 0.6 Brass = 0.72 Steel St 37 = 1.0

Proximity sensors SIES-8M, inductive for T-slot

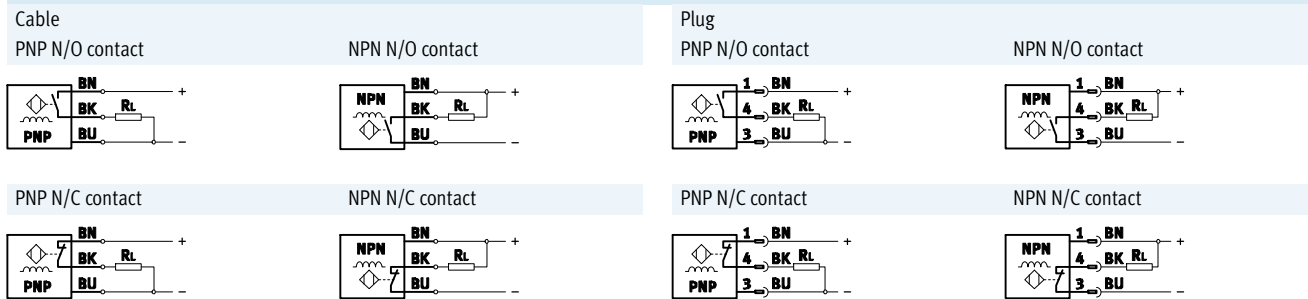
Technical data

Operating and environmental conditions		
Ambient temperature	[°C]	-25 ... +70
Ambient temperature with flexible cable installation	[°C]	-5 ... +70
CE mark (see declaration of conformity)		To EU EMC Directive ¹⁾
Certification		RCM trademark
		cULus listed (OL)

1) For information about the applicability of the component see the manufacturer's EC declaration of conformity at: www.festo.com/sp → Certificates.
If the component is subject to restrictions on usage in residential, office or commercial environments or small businesses, further measures to reduce the emitted interference may be necessary.

Materials	SIES-8M-...-OE	SIES-8M-...-M8D
Housing	-	Brass, nickel-plated
	Polyamide	
	Polyurethane	
	High-alloy stainless steel	
Cable sheath	Thermoplastic polyurethane elastomer	
Note on materials	Free of copper and PTFE	
	RoHS-compliant	

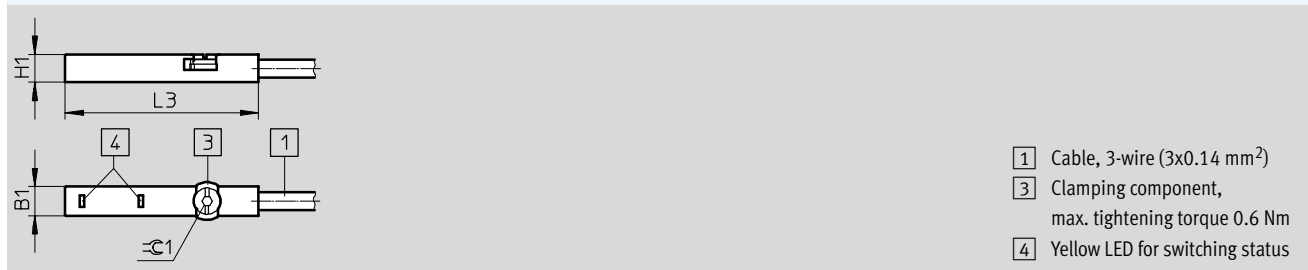
Pin allocation



Core colours
 BN = brown BK = black BU = blue

Dimensions

SIES-8M-...-OE Download CAD data → www.festo.com



	B1	H1	L3	⌀1
SIES-8M-...-24V-K-7,5-OE	5	4.6	31.8	1.5

Proximity sensors SIES-8M, inductive for T-slot

Technical data

Dimensions Download CAD data → www.festo.com

SIES-8M-...-M8D

- 1 Cable, 3-wire (3x0.14 mm²)
- 2 Plug, 3-pin, pin allocation to DIN EN 60947-5-2
- 3 Clamping component, max. tightening torque 0.3 Nm
- 4 Yellow LED for switching status

	B1	D1 ∅	D2 ∅	D3	H1	L1	L2	L3	⊕ 1
SIES-8M-...-0,3-M8D	5	2.9	9.6	M8x1	4.6	300 ⁺⁵⁰	41.1	31.8	1.5
SIES-8M-...-2,5-M8D						2500 ⁺⁵⁰			
SIES-8M-...-5,0-M8D						5000 ⁺⁵⁰			
SIES-8M-...-7,5-M8D						7500 ⁺⁷⁵			
SIES-8M-...-10-M8D						10000 ⁺¹⁰⁰			

Ordering data							
Size	S _n ¹⁾ [mm]	Mounting position	Switching output	Switching element function	Cable length [m]	Part No.	Type
Cable							
	1,5	Flush	PNP	N/O contact	7.5	551386	SIES-8M-PS-24V-K-7,5-OE
				N/C contact	7.5	551391	SIES-8M-PO-24V-K-7,5-OE
			NPN	N/O contact	7.5	551396	SIES-8M-NS-24V-K-7,5-OE
				N/C contact	7.5	551401	SIES-8M-NO-24V-K-7,5-OE
Cable with plug							
	1,5	Flush	PNP	N/O contact	0.3	551387	SIES-8M-PS-24V-K-0,3-M8D
					2.5	551388	SIES-8M-PS-24V-K-2,5-M8D
					5.0	551389	SIES-8M-PS-24V-K-5,0-M8D
					10	551390	SIES-8M-PS-24V-K-10-M8D
				N/C contact	0.3	551392	SIES-8M-PO-24V-K-0,3-M8D
					2.5	551393	SIES-8M-PO-24V-K-2,5-M8D
					5.0	551394	SIES-8M-PO-24V-K-5,0-M8D
					10	551395	SIES-8M-PO-24V-K-10-M8D
			NPN	N/O contact	0.3	551397	SIES-8M-NS-24V-K-0,3-M8D
					2.5	551398	SIES-8M-NS-24V-K-2,5-M8D
					5.0	551399	SIES-8M-NS-24V-K-5,0-M8D
				N/C contact	0.3	551402	SIES-8M-NO-24V-K-0,3-M8D
					2.5	551403	SIES-8M-NO-24V-K-2,5-M8D
					5.0	551404	SIES-8M-NO-24V-K-5,0-M8D
10	551405	SIES-8M-NO-24V-K-10-M8D					

1) S_n Rated operating distance [mm]

Proximity sensors SIES-8M, inductive for T-slot

Accessories



Sensor bracket SIEZ-8M

For mounting proximity sensors
SIES-8M on any housing

Material:

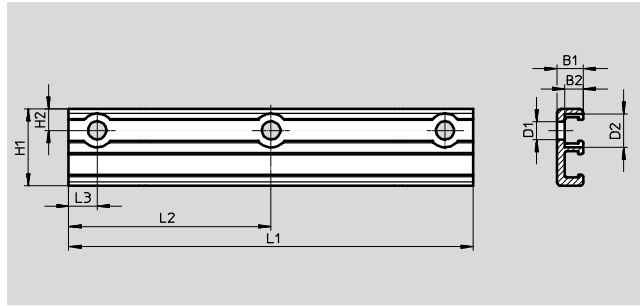
Wrought aluminium alloy, steel,
thermoplastic polyurethane elastomer

Note on material:

RoHS-compliant



SIEZ-8M-200



Dimensions and ordering data											
Type	L1	L2	L3	D1 Ø	D2 Ø	H1	H2	B1	B2	Part No.	Type
SIEZ-8M-200	200	-	7	4.5	8.3	19	5.3	6.5	4.5	551406	SIEZ-8M-200
SIEZ-8M-400	400	200	7	4.5	8.3	19	5.3	6.5	4.5	551407	SIEZ-8M-400

Ordering data – Slot cover for T-slot				
	Assembly	Length	Part No.	Type
	Insertable from above	2x 0.5 m	563360	ABP-5-S1

Ordering data – Connecting cables M8x1				Technical data → Internet: nebu	
	Electrical connection, left	Electrical connection, right	Cable length [m]	Part No.	Type
	Straight socket, M8x1, 3-pin	Cable, open end, 3-wire	2.5	541333	NEBU-M8G3-K-2.5-LE3
			5	541334	NEBU-M8G3-K-5-LE3
			10	541332	NEBU-M8G3-K-10-LE3
	Angled socket, M8x1, 3-pin	Cable, open end, 3-wire	2.5	541338	NEBU-M8W3-K-2.5-LE3
			5	541341	NEBU-M8W3-K-5-LE3
			10	541335	NEBU-M8W3-K-10-LE3