


Sealing material



Sealing material

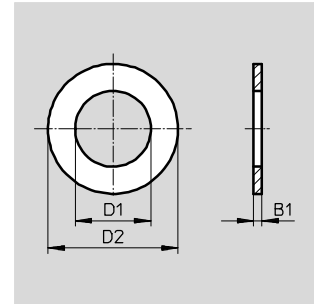
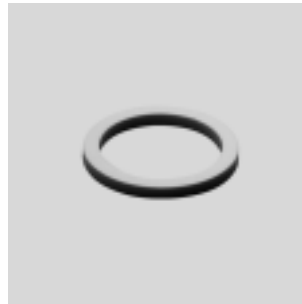
Technical data

Sealing ring O

 Pressure
-0.95 ... +10 bar

Material:
Sealing ring O: Polyvinyl chloride
Sealing ring O-M3-B: Polyamide

Note on materials:
Free of copper and PTFE
RoHS-compliant



Dimensions and ordering data								
For thread	Temperature range [°C]	Nominal tightening torque [Nm]	D1	D2	B1	Part No.	Type	PU ¹⁾
M3	-40 ... +100	-	2.8	4.8	0.3	30290	O-M3-B	1
M5	-10 ... +60	1.78 ±20%	5.1	8	1	3565	O-M5	1
						534226	O-M5-500	500
G ³ / ₈		10.55 ±20%	10	13	1.5	2223	O-1/8	1
						534227	O-1/8-500	500
G ¹ / ₄		9.05 ±20%	13.2	18	2	2224	O-1/4	1
						534228	O-1/4-200	200
G ³ / ₈		38.5 ±20%	16.8	22	2	2225	O-3/8	1
						534229	O-3/8-200	200
G ¹ / ₂		47.9 ±20%	21	28	2	2226	O-1/2	1
						534230	O-1/2-100	100
G ³ / ₄		45 ±20%	26.5	33	2	2227	O-3/4	1
G1		-	33.3	38.9	2	210893	O-1	1

1) Packaging unit quantity

Sealing material

Technical data

FESTO

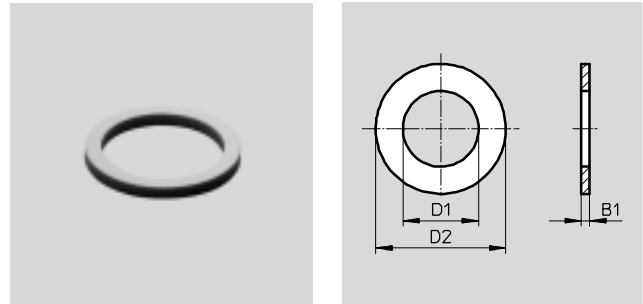
Sealing ring CRO

Sealing ring CRO for use in the chemicals and food processing industries

Temperature range
-40 ... +80 °C

Material:
Polyvinylidene fluoride

Note on materials:
RoHS-compliant



General technical data

Mounting position	Any
-------------------	-----

Operating and environmental conditions

Operating medium	Compressed air in accordance with ISO 8573-1:2010 [7:--:-]
Note on operating/pilot medium	Lubricated operation possible
Ambient temperature [°C]	-40 ... +80
Food-safe ¹⁾	See supplementary material information

1) Additional information www.festo.com/sp → Certificates.

Dimensions and ordering data

For thread	D1	D2	B1	Weight/ piece [g]	Part No.	Type	PU ¹⁾
M5	5.1	8	1	0.05	165191	CRO-M5	1
G1/8	10	13	2	0.19	575895	CRO-1/8	1
G1/4	13.2	18	2	0.42	165193	CRO-1/4	1
G3/8	16.8	22	2	0.56	165194	CRO-3/8	1
G1/2	21	28	2	0.96	165195	CRO-1/2	1
G3/4	26.5	33	2	1.08	165196	CRO-3/4	1
G1	33.3	38.9	2	1.13	165197	CRO-1	1

1) Packaging unit quantity



Sealing material

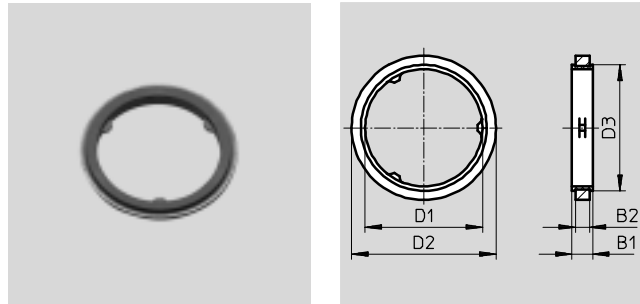
Technical data

FESTO

Sealing ring OL
with metal housing

- Based on ISO 16030 standard
- Seals at room temperature when tightened by hand
- Captive
- Reusable
- Compatible with the existing O and OK sealing rings

-  - Temperature range
-40 ... +100 °C
-  - Pressure
-0.95 ... +30 bar



Operating and environmental conditions	
Operating pressure complete [bar]	-0.95 ... +30
temperature range	
Ambient temperature [°C]	-40 ... +100
Corrosion resistance class CRC ¹⁾	2

1) Corrosion resistance class CRC 2 to Festo standard FN 940070
Moderate corrosion stress. Indoor applications in which condensation may occur. External visible parts with primarily decorative requirements for the surface and which are in direct contact with the ambient atmosphere typical for industrial applications.

Materials					
Type	OL-M5	OL-M6	OL-M10, OL-M12, OL-M14, OL-M16, OL-M22	OL-1/8, OL-1/4	OL-3/8, OL-1/2, OL-3/4
Stop ring	High-alloy stainless steel	High-alloy stainless steel	Brass	High-alloy stainless steel	Aluminium
Seal	NBR				
Note on materials	Free of copper and PTFE	-	-	Free of copper and PTFE	Free of copper and PTFE
	RoHS-compliant				

Dimensions and ordering data									
For thread	Nominal tightening torque [Nm]	D1	D2	D3	B1	B2	Part No.	Type	PU ¹⁾
M5	3.25 ±20%	5.05	7.4	6.25	1.45	1	34634	OL-M5	1
							534231	OL-M5-500	500
M6	3.25 ±20%	6.05	8.4	7.25	1.55	1	161180	OL-M6	1
M10	13.5 ±20%	10.2	14	11.6	1.8	1.2	161181	OL-M10	1
M12	13.5 ±20%	12.2	16	13.8	2.1	1.5	161182	OL-M12	1
M14	21 ±20%	14.2	18	15.8	2.1	1.5	161183	OL-M14	1
M16	30 ±20%	16.2	21	18.8	2.6	2	165298	OL-M16	1
M22	49 ±20%	22.2	27	24.8	2.6	2	165299	OL-M22	1
G1/8	13.5 ±20%	9.8	12.8	11.1	1.8	1.3	33840	OL-1/8	1
							534232	OL-1/8-500	500
G1/4	21 ±20%	13.2	16.8	14.4	2.2	1.6	34635	OL-1/4	1
							534233	OL-1/4-200	200
G3/8	30 ±20%	16.65	20.5	17.9	2.95	1.95	34636	OL-3/8	1
							534234	OL-3/8-200	200
G1/2	49 ±20%	21	25.5	22.2	2.6	1.95	34637	OL-1/2	1
							534235	OL-1/2-100	100
G3/4	14 ±20%	26.5	32	28.4	2.6	1.95	34638	OL-3/4	1


1) Packaging unit quantity


Sealing material

Technical data

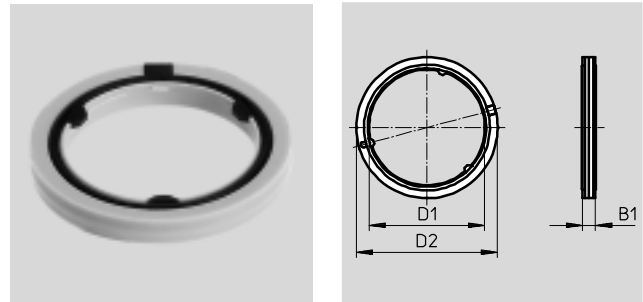
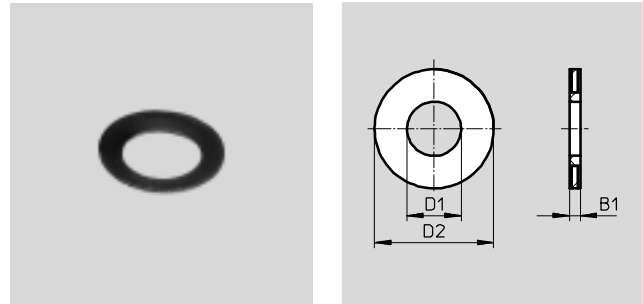
Sealing ring OK with support ring

- Based on ISO 16030 standard
- Creates a seal when hand-tightened at room temperature and also when tightened using appropriate tools
- Captive design
- Compatible with the existing O and OL sealing rings

 Temperature range
-10 ... +60 °C

 Pressure
-0.95 ... +10 bar

Note on materials:
Free of copper and PTFE
RoHS-compliant



Operating and environmental conditions	
Operating pressure complete [bar]	-0.95 ... +10
Operating medium	Compressed air in accordance with ISO 8573-1:2010 [7:4:4]
Note on operating/pilot medium	Operation with lubricated medium possible (in which case lubricated operation will always be required)
Ambient temperature [°C]	-10 ... +60
Corrosion resistance class CRC ¹⁾	2

1) Corrosion resistance class CRC 2 to Festo standard FN 940070
Moderate corrosion stress. Indoor applications in which condensation may occur. External visible parts with primarily decorative requirements for the surface and which are in direct contact with the ambient atmosphere typical for industrial applications.

Dimensions and ordering data								
For thread	Nominal tightening torque [Nm]	D1	D2	B1	Weight [g]	Part No.	Type	PU ¹⁾
Stainless steel, nitrile rubber								
M3	0.48 ±55%	2.5	5.0	0.5	0.1	130849	OK-M3	1
M5	1.33 ±20%	4.3	7.8	0.5	0.1	130850	OK-M5	1
M7	3.35 ±20%	6.4	9.8	0.5	0.1	130851	OK-M7	1
Polyamide, thermoplastic polyurethane								
G1/8	3.5 ±20%	9.9	13.15	1.60	0.12	531771	OK-1/8	1
G1/4	11 ±10%	13.3	18.15	2.20	0.32	531772	OK-1/4	1
G3/8	12.5 ±20%	16.8	22.15	2.20	0.44	531773	OK-3/8	1
G1/2	14 ±20%	21.2	26.45	2.35	0.6	531774	OK-1/2	1
G3/4	35 ±10%	26.7	32.45	2.95	1	531775	OK-3/4	1

1) Packaging unit quantity

Sealing material

Technical data

Sealing ring assortment OL-S1

This polymer assortment box contains OL sealing rings ranging in size from M5 to G $\frac{3}{4}$.



Ordering data				
Contents	Quantity	Nominal tightening torque [Nm]	Part No.	Type
OL-M5	50	3.25 ±20%	161355	OL-S1
OL-1/8	100	13.5 ±20%		
OL-1/4	100	21 ±20%		
OL-3/8	40	30 ±20%		
OL-1/2	30	49 ±20%		
OL-3/4	10	14 ±20%		

Sealing ring assortment OK-S1

This assortment box contains OK sealing rings ranging in size from M3 to G $\frac{3}{4}$.

Note on materials:
RoHS-compliant

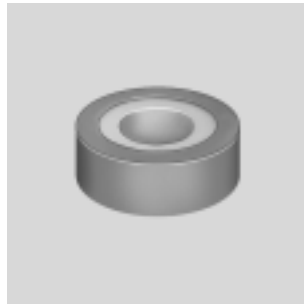


Ordering data					
Contents	Quantity	Nominal tightening torque [Nm]	Weight [g]	Part No.	Type
OK-M3	50	0.48 ±55%	0.1	570465	OK-S1
OK-M5	100	1.33 ±20%	0.1		
OK-M7	50	3.35 ±20%	0.1		
OK-1/8	100	3.5 ±20%	0.12		
OK-1/4	100	11 ±10%	0.32		
OK-3/8	40	12.5 ±20%	0.44		
OK-1/2	30	14 ±20%	0.6		
OK-3/4	10	35 ±10%	1		

Sealing material

Technical data

Thread sealing tape **GWB-0,1**



Ordering data				
Width [mm]	Thickness [mm]	Length [m]	Part No.	Type
10	0.1	12.5	9076	GWB-0,1